



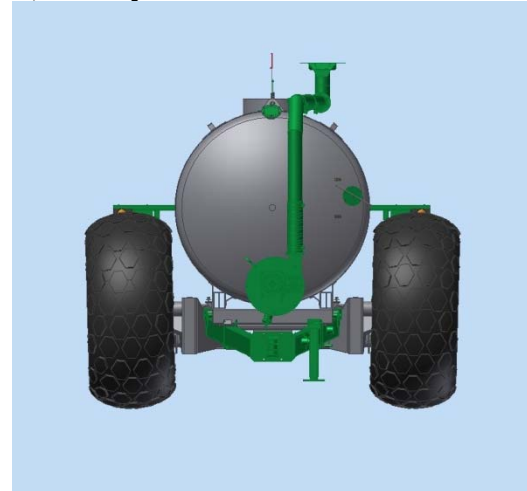
# Husky Farm Equipment Limited

7440 Wellington Rd. 17, R. R. # 2, Alma, On N0B 1A0  
 Phone 519-846-5329 Fax 519-846-9378 Toll Free 1-800-349-1122  
[husky@huskyfarm.ca](mailto:husky@huskyfarm.ca) [www.huskyfarm.ca](http://www.huskyfarm.ca)



## 23000L Galvanized

6000 US Gal., 5000 CDN Gal., 23000 Litres  
 28L x 26, 12 Ply 30.5L x 32, 12 Ply



Compaction	3744 sq. in. on ground	4508 sq. in. on ground w/ 3" penetration
Overall height	120"	125"
Overall width	163"	163"
Discharge height	136", optional 4 ft	141" optional 4 ft
Empty	16,537 lbs (7,516 kg)	16,960 lbs (7,693 kg)
Loaded	66,517 lbs (30,235 kg)	66,940 lbs (30,364 kg)
Tire pressure	24 lbs	
Tire type	Turf type, knobby tread	
Tank width	100"	
Tank height	78"	
Tank length	19.25 ft	
Tank ends	Flanged and reinforced	
Tank shell thickness	1/4"	
Number of baffles	2 full baffles	
Hitch	Single or optional double hitch	
Axle weight (less tires)	4432 lbs, 2010 kg	
Axle capacity	100,000 lbs, 45,360 kg	
Axle warranty	5 year (non commercial)	
Light kit ( brake & tail)	Standard	
Axle spindle size & material	5 1/2" stress proof slid in 6 1/2" sleeve	
Hub bolt pattern	10 bolt, 13.19" bolt circle hub greaseable	

### Standard Features

- Bearings Tapered roller
- Seals Double lip grease purge able
- PTO Constant velocity shear protected 1 3/8 6 T, 1 3/8 21T, 1 3/4 20T
- Size of discharge 6"
- Spreading pattern Up to 60 ft, 18 m
- Discharge height 106", 2692 mm optional 4 ft
- Unloading speed 6" discharge Up to 2400 gallon per minute adjustable
- Hot Dip Galvanized
- Axle warranty 5 year unconditional
- Light kit ( brake & tail) Standard
- Unloading pump 4 blade fan type
- Draw bar weight Adjustable
- Walking tandem Axle
- Seams welded solid inside
- U shape, 1/4" Sill
- 9.75 square ft Padding to tank contact
- 4"x 8" boxed tubing 1/4" material on tongue
- 73" Tongue



### Options For Your Husky Tank

- 8" Discharge Unloading speed Up to 3600 gpm adjustable
- Hydraulic drive
- Butterfly Lid
- Clean Out
- Camels Hump
- Pipe Down the back
- Sight Gage
- Swing Away Fan
- In tank Agitation
- Valves
- 1000 RPM Unload
- Low Spread

All Figures Are Approximate, Limited Warranty (3Months For Custom Operators), No Warranty On Sand Bedding.  
 For Full Details and Exact Figures, Please Confirm With Husky. 1-800-349-1122