



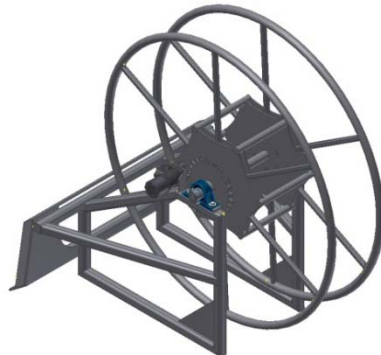
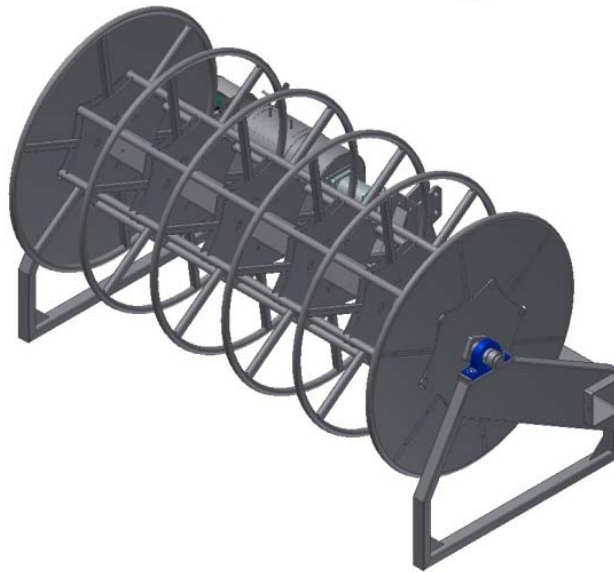
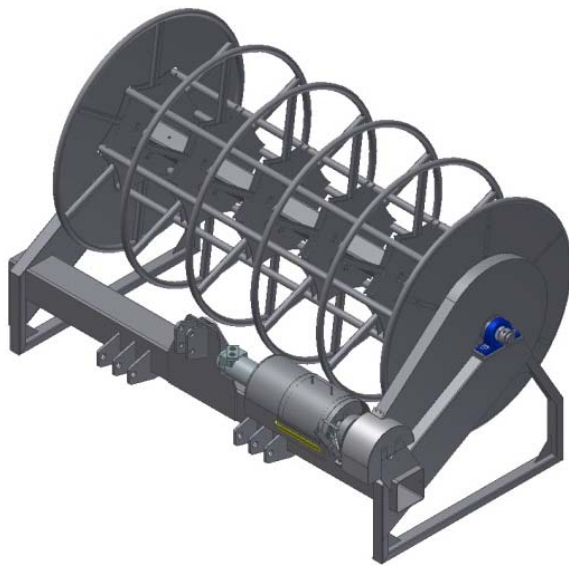
Husky Farm Equipment Limited

7440 Wellington Rd. 17, R. R. # 2, Alma, On N0B 1A0
 Phone 519-846-5329 Fax 519-846-9378 Toll Free 1-800-349-1122
husky@huskyfarm.ca www.huskyfarm.ca



3pt Reels

| | |
|--|------------------------|
| 3 Hose Reel | |
| Reel type | Soft Hose |
| Drive | Hydraulic |
| Unwinding | Free wheeling |
| Reel Dia. | 86" |
| Number of Hose Slots | 3 |
| Hose Centre Drum opening at any position | 18" w/Hose Fitting |
| Outside Width | 146" |
| Total Length | 155" |
| Total Height | 117" |
| Total Hose Capacity | 3 x 660 ft. = 1980 Ft. |
| Feeder hose size | 5" or 6" inch |
| Drag Hose Size | 4 1/2" or 5" |
| Hose fittings type | Husky |
| Rotation Speed | 0 to 20 RPM |



| | |
|--|--------------------|
| Single Hose Reel | |
| Reel type | Soft Hose |
| Drive | Hydraulic |
| Unwinding | Free wheeling |
| Reel Dia. | 86" |
| Number of Hose Slots | 1 |
| Hose Centre Drum opening at any position | 18" w/Hose Fitting |
| Outside Width | 146" |
| Total Length | 155" |
| Total Height | 117" |
| Total Hose Capacity | 660 ft. |
| Feeder hose size | 5" or 6" inch |
| Drag Hose Size | 4 1/2" or 5" |
| Hose fittings type | Husky |
| Rotation Speed | 0 to 20 RPM |

All Figures Are Approximate, Limited Warranty (3Months For Custom Operators), No Warranty On Sand Bedding.
 For Full Details and Exact Figures, Please Confirm With Husky. 1-800-349-1122