



Husky Farm Equipment Limited

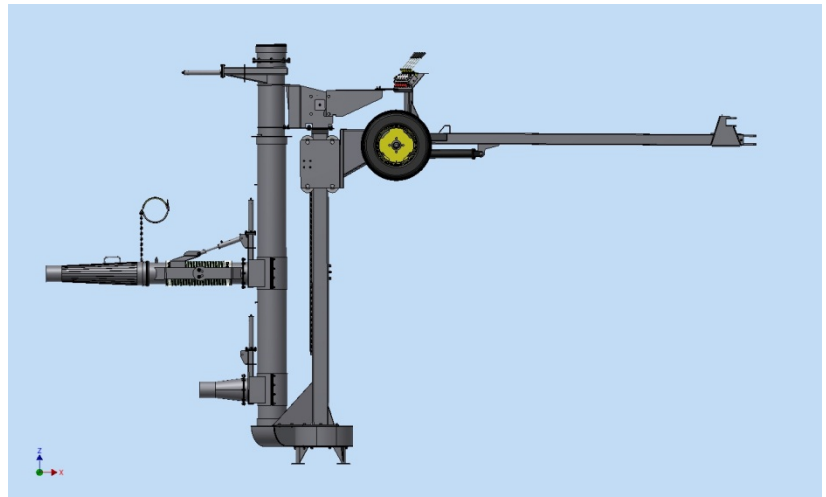
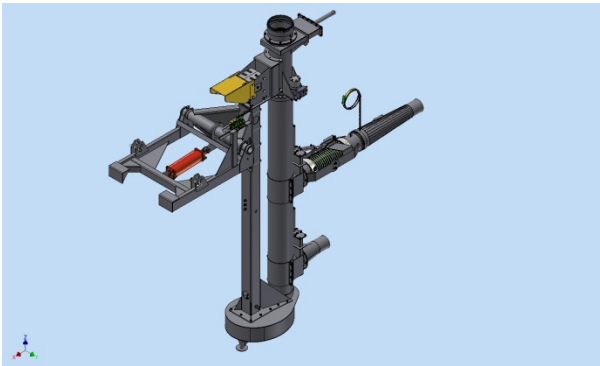
7440 Wellington Rd. 17, R. R. # 2, Alma, On N0B 1A0
 Phone 519-846-5329 Fax 519-846-9378 Toll Free 1-800-349-1122
husky@huskyfarm.ca www.huskyfarm.ca



H10000 PUMP

This Pump is manufactured for the larger pits and commercial farmers. The drive shaft tube and the stand pipe tube for manure are made of 1/4" steel. The main inlet housing is made from 3/8 plate and from a wear hardened steel to with stand extra duty use. The turn motor is a larger motor with more torque.

<u>Pit Depth</u>	<u>8 Ft</u>	<u>10 ft</u>	<u>12 Ft</u> other lengths also
Overall Length	139" (3530 MM)	163" (4140 MM)	187" (4750 MM)
Max. Pit Depth	8 Ft. 10"	10 Ft. 10"	12 Ft. 10"
Top agitation spout from floor	72"	96"	120"
Style	2 point hitch		
HP Required @ 1.1 box	170		
PTO	1000 RPM Shear Protected		
Pipe Size	10" (254 MM)		
PTO 1000 RPM	Shear Protected		
Length of Discharge Pipe	20 Ft (6 M) Length Optional		
Agitator Swivel	300 degrees		
Agitating Spouts	2		
Vertical Deflector	Optional 8" Diameter		
Top Cone outlet size	4" (101 MM)		
Bottom spout from floor	24"		
Bottom Cone Outlet size	7" (152 MM)		
Inlet Hole	12" (304 MM)		
Housing Size	23" x 34" (584x863)		
Impeller Hi Efficiency	4 blade		
Impeller size	18" (457 MM)		
Trailer Tilting	Hyd. Cylinder		
Controls	Hydraulic		
Approximate Pump Volume	10,000 GPM		
Discharge Support Legs	12 Ft.		
Discharge Pipe Cart	Optional 10"		



All Figures Are Approximate, Limited Warranty (3Months For Custom Operators), No Warranty On Sand Bedding.
 For Full Details and Exact Figures, Please Confirm With Husky. 1-800-349-1122