



# Husky Farm Equipment Limited

7440 Wellington Rd. 17, R. R. # 2, Alma, On N0B 1A0  
Phone 519-846-5329 Fax 519-846-9378 Toll Free 1-800-349-1122  
[husky@huskyfarm.ca](mailto:husky@huskyfarm.ca) [www.huskyfarm.ca](http://www.huskyfarm.ca)



## PRIME EZE



### Features (Motor Not Included)

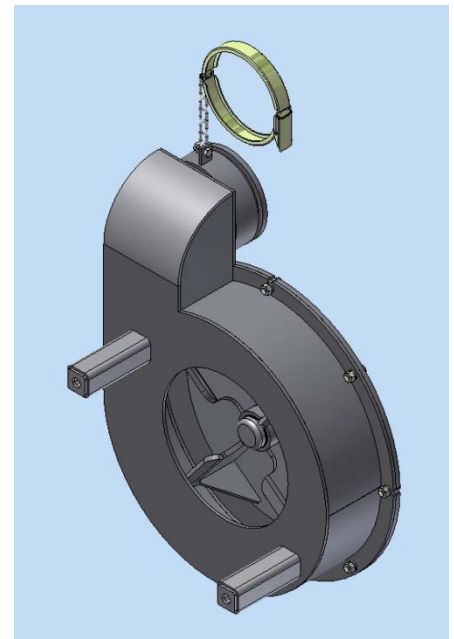
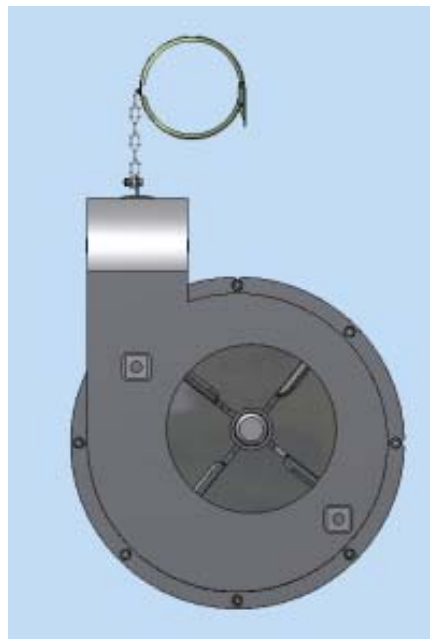
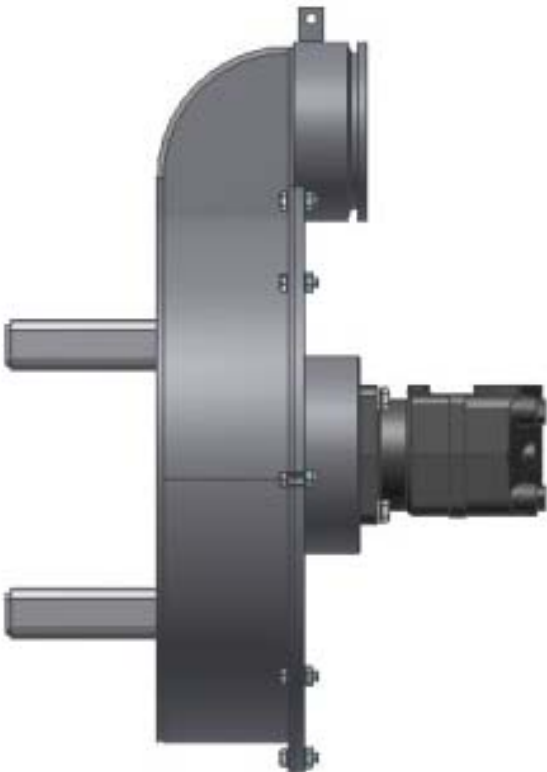
- Secondary Seal Ahead Of Motor
- Stainless Steel Ware Collar
- Standard Fan
- 6" Outlet
- Hydraulic Cross Flow Protection

### Options

- 20 GPM Motor
- 26.5 GPM Motor
- 40 GPM Motor
- 3/4 Inch Double Braid Hydraulic Hose

### Specs

- 1200 GPM
- Length 600mm
- Width 370mm
- Height 743mm
- Weight 175 Lbs. Approx.



All Figures Are Approximate, Limited Warranty (3Months For Custom Operators), No Warranty On Sand Bedding.  
For Full Details and Exact Figures, Please Confirm With Husky. 1-800-349-1122