

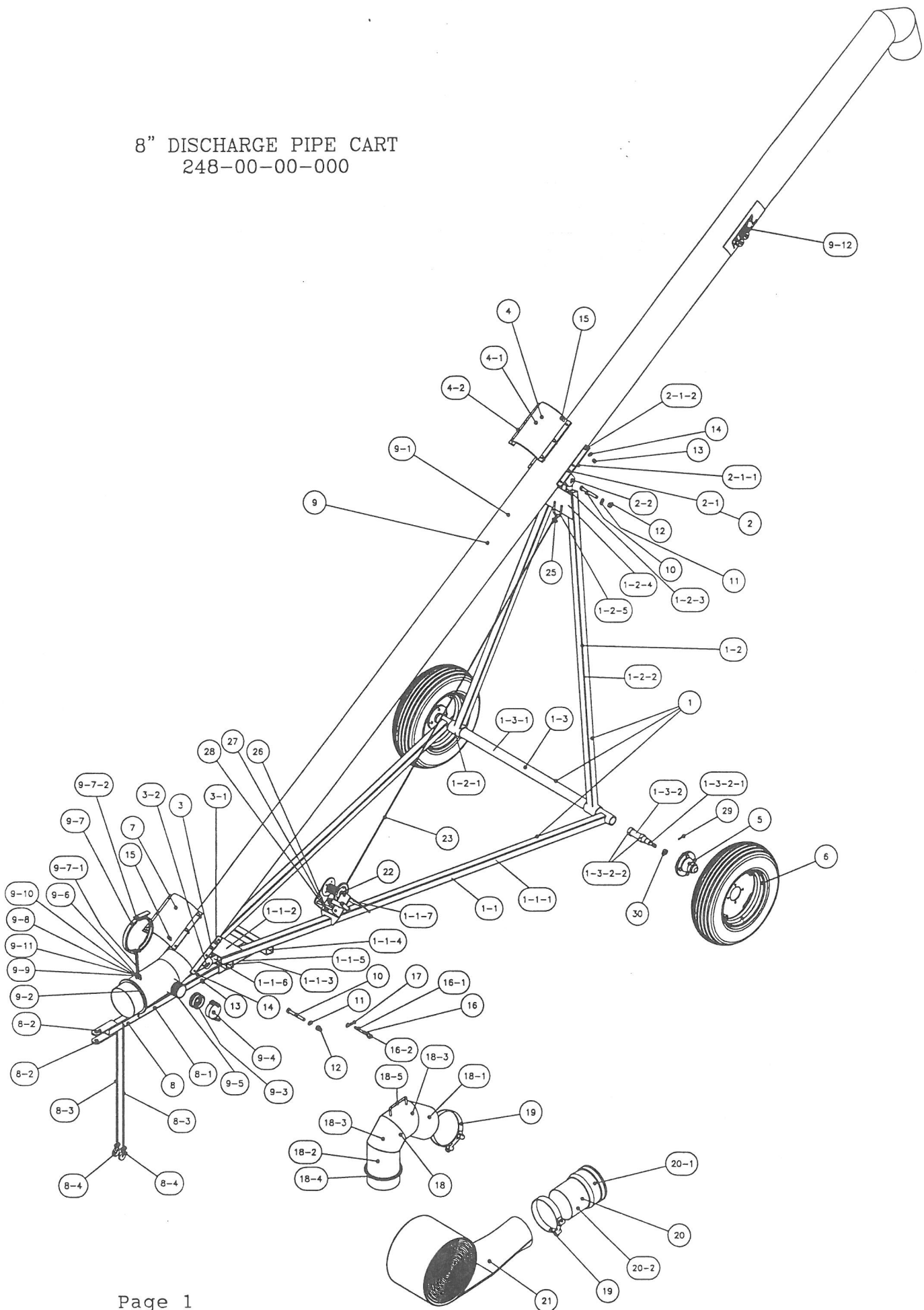
Office Copy
May 7/02-16 mod
Apr 17/03-10 "
Oct 3-6 "
Apr 9/04-10 "
Nov 16/04-11
mod
Apr 20/05-
10. made

HUSKY
OO

8"

**DISCHARGE
PIPE
CART**

8" DISCHARGE PIPE CART
248-00-00-000

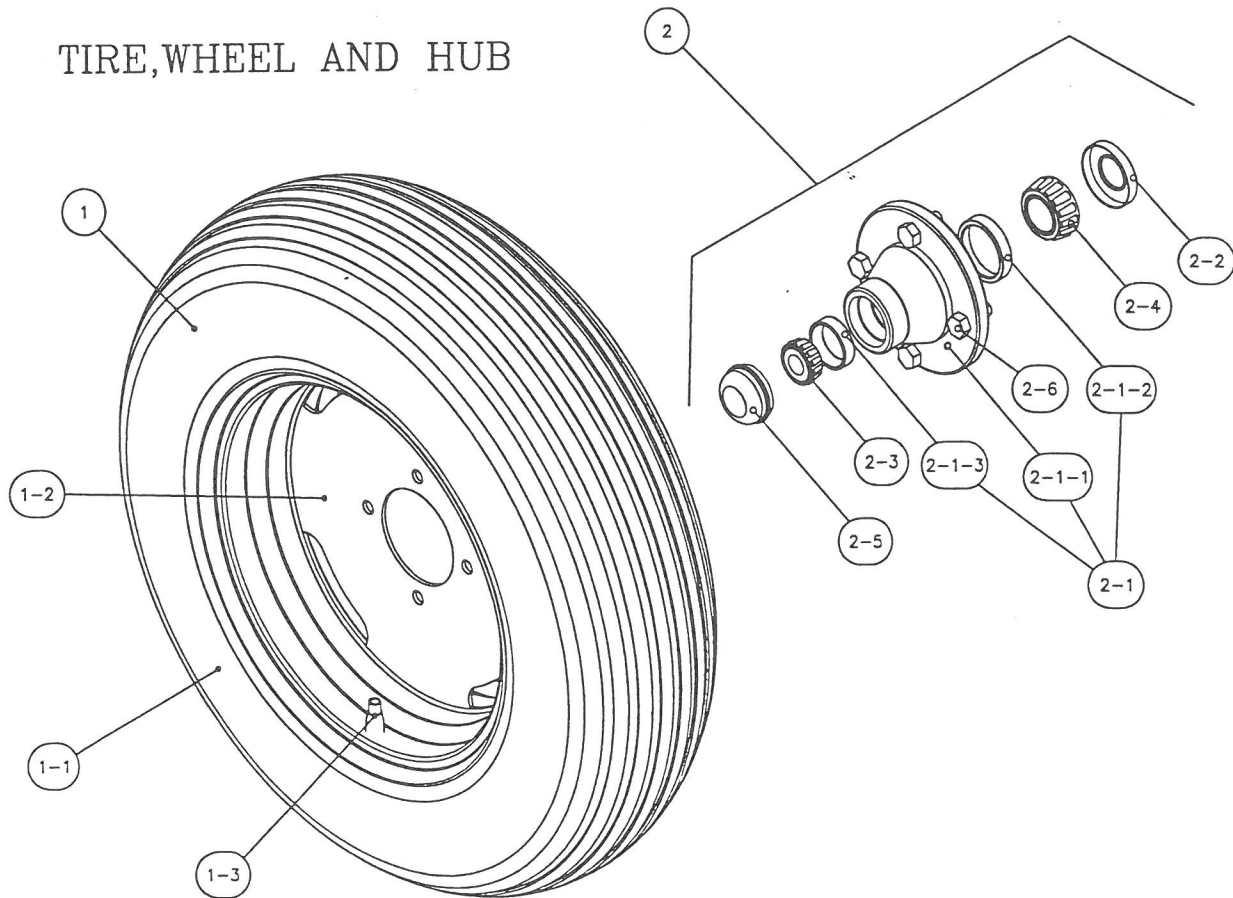


8" DISCHARGE PIPE CART

Item	Name	Description	Qty
1	248-01-00-000	LTILT FRAME ASSY	1
1-1	248-01-01-000	OUTER FRAME ASSY	1
1-1-1	248-01-01-001	OUTER FRAME ARM	2
1-1-2	248-01-01-002	GUSSET	1
1-1-3	248-01-01-004	SHORT CROSS TUBE	1
1-1-4	248-01-01-005	LONG CROSS TUBE	1
1-1-5	248-01-01-006	OUTER TONGUE TUBE	1
1-1-6	248-01-01-003	OUTER FRAME PIVOT BRACKET	2
1-1-7	248-01-01-037	WINCH BRKT	1
1-2	248-01-02-000	INNER FRAME ASSY	1
1-2-1	248-01-02-009	AXLE MOUNT TUBE	2
1-2-2	248-01-02-008	INNER FRAME LEG	2
1-2-3	248-01-02-011	INNER FRAME PIVOT BRKT	2
1-2-4	248-01-02-010	GUSSET	2
1-2-5	248-01-02-012	CABLE BRKT	1
1-3	248-01-03-000	AXLE ASSY	1
1-3-1	248-01-03-023	AXLE TUBE	1
1-3-2	250-64-27-000	SPINDLE ASSY	2
1-3-2-1	250-00-00-301	SPINDLE	2
1-3-2-2	250-64-27-149	PLUG WASHER	4
2	248-04-00-000	UPPER PIPE SLIDING CLAMP ASSY	1
2-1	248-04-01-000	UPPER PIPE SLIDING CLAMP SUB ASSY	1
2-1-1	248-04-01-018	UPPER CLAMP TUBE	1
2-1-2	248-04-01-019	UPPER CLAMP BOLT PLATE	2
2-2	248-03-00-017	LOWER CLAMP PIVOT BRACKET	2
3	248-03-00-000	LOWER PIPE CLAMP ASSY	1
3-1	242-00-00-221	CLAMP ON BRKT	1
3-2	248-03-00-017	LOWER CLAMP PIVOT BRACKET	2
4	248-04-01-000	UPPER PIPE SLIDING CLAMP SUB ASSY	1
4-1	248-04-01-018	UPPER CLAMP TUBE	1
4-2	248-04-01-019	UPPER CLAMP BOLT PLATE	2
5	250-60-30-000	H-411 HUB COMPLETE	2
6	250-65-00-000	TIRE AND WHEEL ASSY 5.9 X 15	2
7	242-00-00-221	CLAMP ON BRKT	1
8	248-02-00-000	TONGUE ASSY	1
8-1	248-02-00-015	TONGUE TUBE	1
8-2	248-02-00-016	TONGUE PLATE	2
8-3	248-02-00-022	SAFETY CHAIN	2
8-4	R08091	1/4" CLEVIS GRAB HOOK	2
9	248-05-00-000	DISCHARGE PIPE ASSY	1
9-1	248-05-00-020	DISCHARGE PIPE	1
9-2	R02536	8"M ALUM BANDLOC RING	1
9-3	R02778	3" A CAMLOC ADAPTOR	1
9-4	R02784	3" F CAMLOC CAP	1
9-5	R02097	3" X 4" LONG TOE ALUM NIPPLE	1
9-6	248-05-00-036	CHAIN LUG	1
9-7	244-09-00-000	CLAMP AND CHAIN ASSY	1

Item	Name	Description	Qty
9-7-1	R02488	8" RINGLOCK CLAMP	1
9-7-2	250-97-00-297	CLAMP CHAIN	1
9-8	R07619	3/8 X 1" HEX BOLT	1
9-9	R07823	3/8" FLAT WASHER	1
9-10	R07803	3/8" LOCK WASHER	1
9-11	R07783	3/8" HEX NUT	1
9-12	R09502	"HUSKY" DECAL	1
10	R07652	5/8 X 5" HEX BOLT	2
11	R07806	5/8" LOCK WASHER	2
12	R07786	5/8" HEX NUT	2
13	R07784	7/16" NYLOC HEX NUT	12
14	R07804	7/16" LOCK WASHER	12
15	R07671	7/16 X 1 1/4" HEX BOLT	12
16	206-03-00-000	TONGUE PIN ASSY	1
16-1	206-03-00-019	TONGUE PIN	1
16-2	R07925	1/4 X 1 1/2" PLATED RING	1
17	R07948	5/32" HAIR PIN	1
18	248-06-00-000	SPECIAL PUMP ELBOW W/RING ASSY	1
18-1	248-06-00-024 C	ELBOW END PC	1
18-2	248-06-00-024 A	ELBOW BASE PC	1
18-3	248-06-00-024 B	ELBOW MIDDLE PC	2
18-4	244-08-00-307	CLAMP RING	1
18-5	244-12-03-341	CONE HANDLE	1
19	R02484	8" SUCTION HOSE CLAMP	2
20	248-14-00-000	BELL AND EXTENSION PIPE ASSY	1
20-1	R02361	8" ALUMINUM BELL END	1
20-2	248-14-00-034	8" EXTENSION PIPE	1
21	248-00-00-021	8" PVC HOSE	1
22	R10350	1 TON WORM GEAR WINCH	1
23	248-00-00-013	LIFT CABLE	1
25	R08072	5/16" CABLE CLAMP	1
26	R07619	3/8 X 1" HEX BOLT	3
27	R07803	3/8" LOCK WASHER	3
28	R07783	3/8" HEX NUT	3
29	R08002	5/32 X 1 1/2" COTTER PIN	2
30	R20142	3/4-16UNF SLOTTED HEX NUT	2

TIRE, WHEEL AND HUB



TIRE, WHEEL AND HUB

Item	Name	Description	Qty
1	250-65-00-000	TIRE AND WHEEL ASSY-5.90 X 15	1
1-1	R20016	5.90 X 15 RIB IMPLEMENT TIRE	1
1-2	R20057	4.5 X 15 WHEEL-4 BOLT	1
1-3	R20020	VALVE STEM	1
2	250-60-30-000	H-411 HUB COMPLETE	1
2-1	R20139	H-411 HUB W/CUPS	1
2-1-1	R20160	H-411 HUB	1
2-1-2	R20129	INNER CUP-LM67010	1
2-1-3	R20130	OUTER CUP-LM11910	1

