

Date Purchased _____ Machine Serial No. _____

Options _____

The key number system in this parts book is arranged as follows:

- ⊙ - Key numbers with two circles denotes main assemblies.
- - Key numbers with one circle are individual parts

Please order parts by number

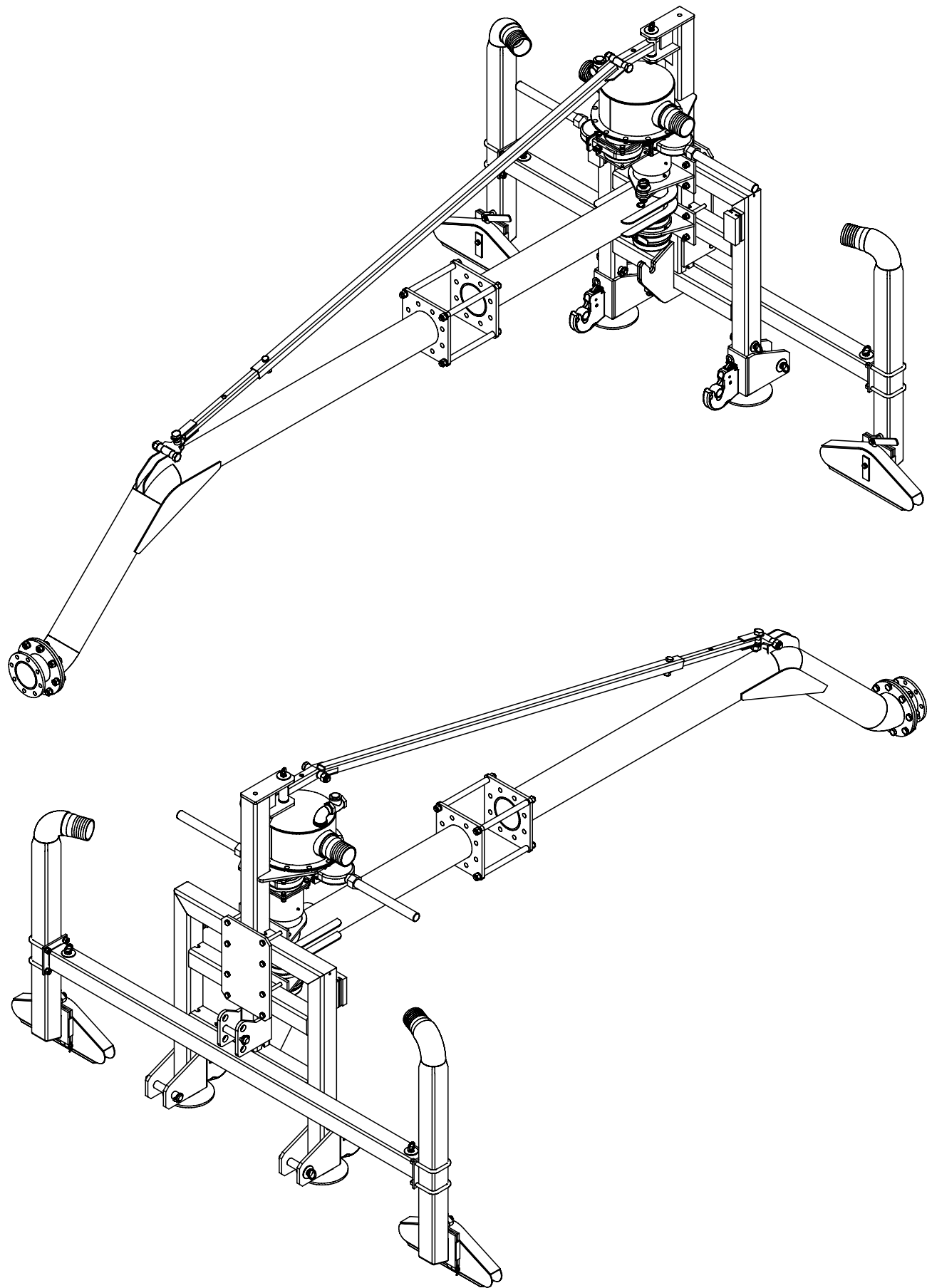


3PT GALVANIZED DRAG BOOM

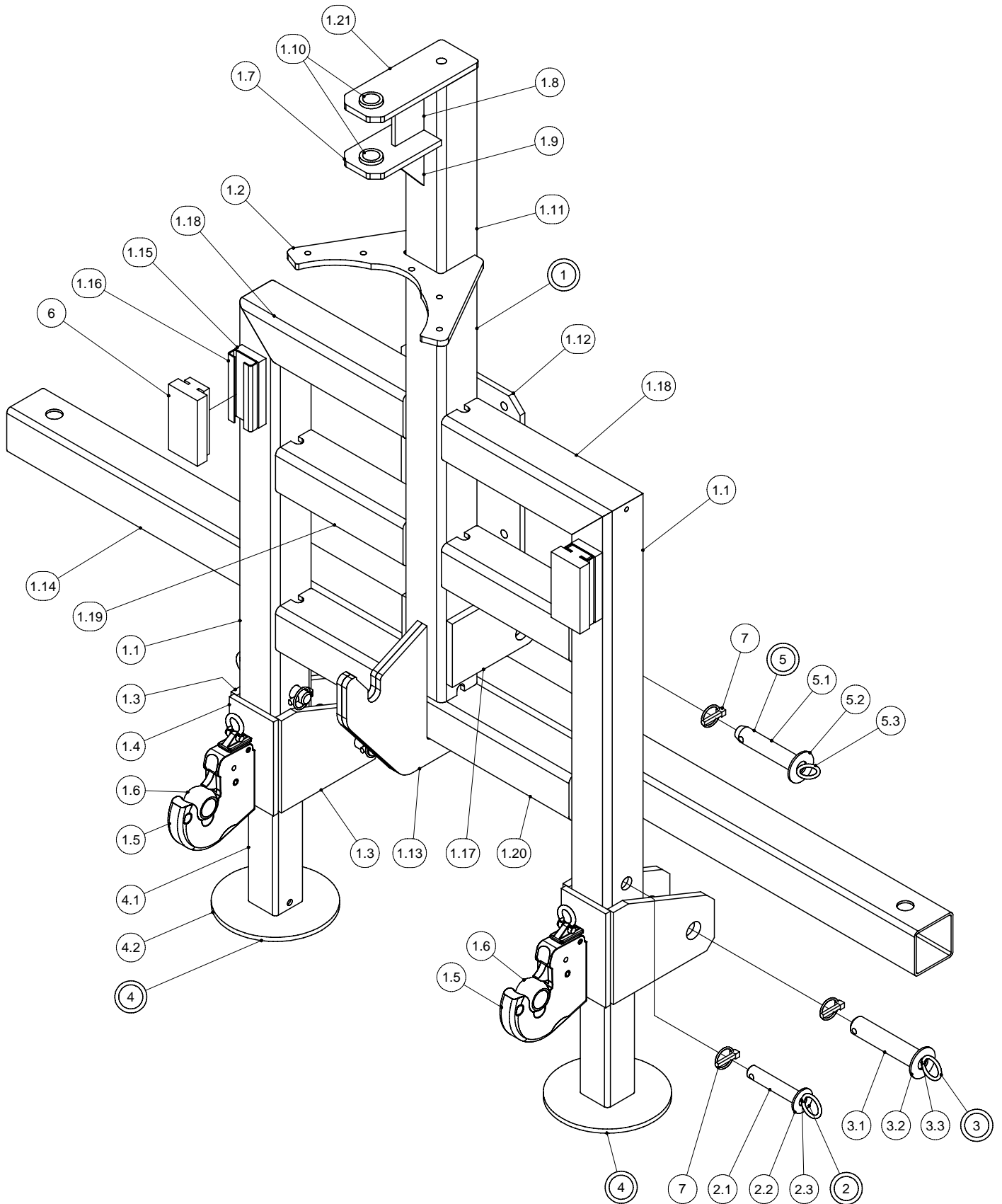
532-00-00-000

OPERATING INSTRUCTIONS:

1. Do not operate machine until you fully understand the safe operating practices.
2. Stop tractor before attempting to service machine in any way.
3. Use only a tractor of adequate weight and power to operate the Husky Galvanized Drag Boom.
4. Always examine the field for sharp objects/stones before operating the Husky Galvanized Drag Boom.
5. While spreading the manure always make tight turns with tractor. If too wide a turn is made, hose may flip over and coil up.
6. When spreading manure with drag hose always have an operator at high pressure pump to shut down if hose breaks, or have a radio controlled kill switch on pump tractor to avoid spills.
7. If spill does occur and there is a danger that water ways will be contaminated, contact authorities **Immediately**, they will help direct the clean up. In Canada call 1-800-268-6060
8. **EXTREME DANGER** – Never enter a dirty manure spreader or storage tank – one breath of hydrogen sulphide gas is enough to kill. Have a ladder in your pit, so that if by accident you should fall, you have a means of getting out.



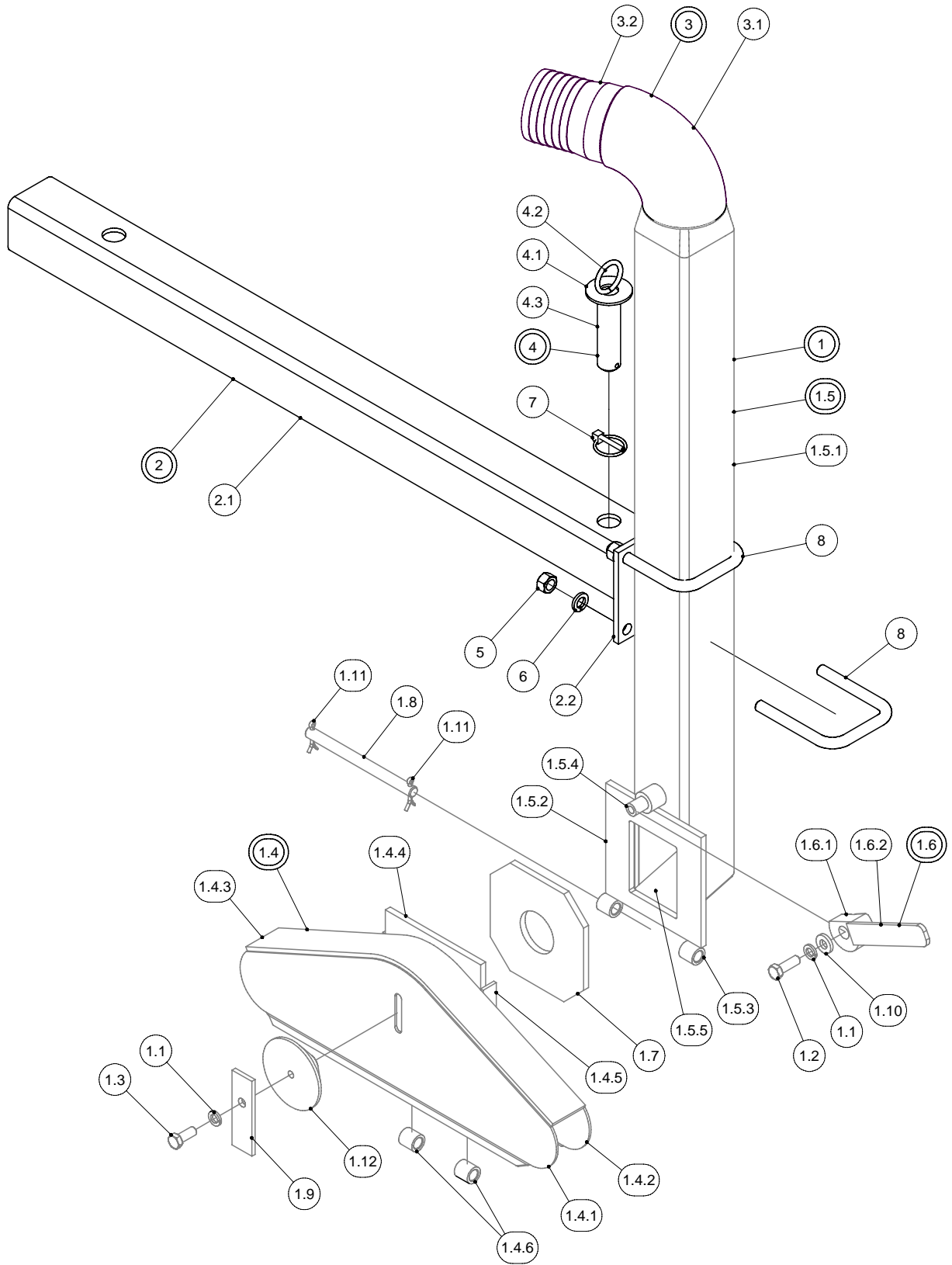
MAIN FRAME



MAIN FRAME

PARTS LIST			
ITEM	PART NUMBER	DESCRIPTION	QTY
1	532-01-00-000	MAIN FRAME ASSY	1
1.1	530-03-01-010	FRAME SIDE	2
1.2	530-03-01-019	ATTACHMENT FLANGE	1
1.3	530-03-01-016	HITCH BRKT	4
1.4	530-03-01-018	REINFORCING PLATE	2
1.5	R10490	CAT.3 - QD LOWER LINK	2
1.6	R10491	CAT.3 QD - LOWER LINK BALL	2
1.7	530-03-01-021	LOWER BRKT	1
1.8	530-03-01-022	SPACER BAR	1
1.9	530-03-01-023	SUPPORT GUSSET	1
1.10	530-03-01-024	SHORT SLEEVE	2
1.11	532-01-00-001	VERTICAL POST	1
1.12	532-01-00-002	FRONT BOLT PLATE	1
1.13	532-01-00-004	UPPER LIFT HOOK	2
1.14	532-01-00-005	CROSS TUBE	1
1.15	532-01-00-025	STOP EXTENSION PLATE	2
1.16	532-01-00-026	RUBBER MOUNT	2
1.17	215-01-00-016	TOP LINK PLATE	2
1.18	532-01-00-054	FRAME TOP PC	2
1.19	532-01-00-055	MIDDLE CROSS TUBE	2
1.20	532-01-00-056	CROSS TUBE	1
1.21	532-01-00-057	TOP BRKT	1
2	480-15-00-000	LEG PIN ASSY	2
2.1	480-15-00-068	LEG PIN	1
2.2	R07827	3/4" FLAT WASHER	1
2.3	250-00-00-354	1/4 X 1 1/2" RING	1
3	480-13-00-000	HITCH PIN ASSY	2
3.1	480-13-00-067	HITCH PIN	1
3.2	R07828	1" FLAT WASHER	1
3.3	250-00-00-354	1/4 X 1 1/2" RING	1
4	480-06-00-000	STAND ASSY	2
4.1	480-06-00-045	STAND LEG	1
4.2	480-06-00-046	STAND FOOT	1
5	215-17-00-000	UPPER HITCH PIN ASSY	1
5.1	215-17-00-084	UPPER HITCH PIN	2
5.2	R07828	1" FLAT WASHER	1
5.3	R07925	1/4 x 1 1/2 PLATED RING	1
6	532-00-00-027	RUBBER STOP	2
7	R08040	2 - 18 LYNCH PIN	5

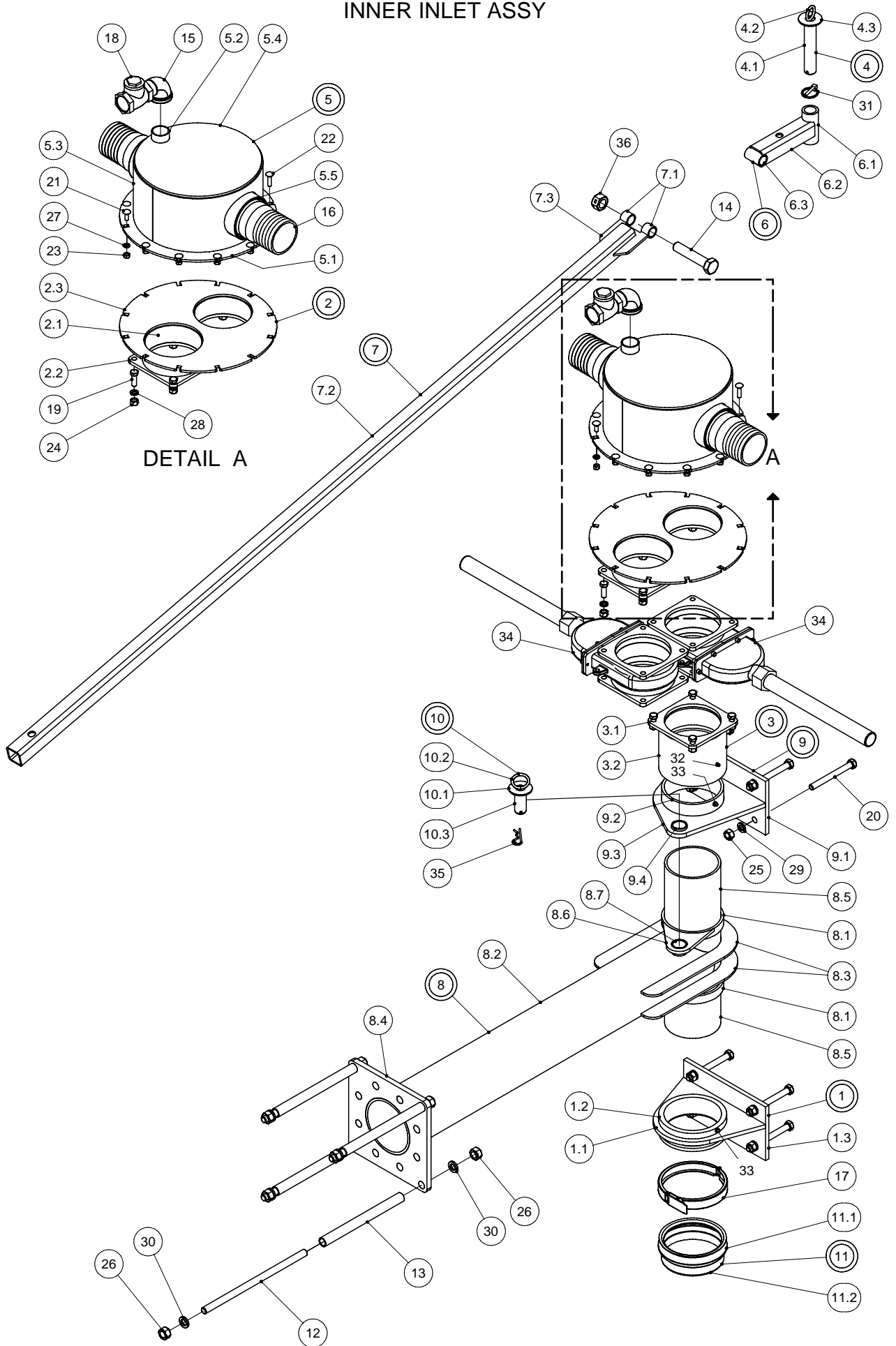
SPASH PLATE



SPLASH PLATE

PARTS LIST			
ITEM	PART NUMBER	DESCRIPTION	QTY
1	532-02-00-000	SPLASH PLATE AND ARM ASSY	1
1.1	R07805	1/2" LOCK WASHER	2
1.2	R07638	1/2 x 1 1/2 UNC HEX BOLT	1
1.3	R07674	1/2 x 1 1/4 UNC HEX BOLT	1
1.4	532-02-01-000	SPLASH PLATE ASSY	1
1.4.1	532-02-01-006	SPLASH PLATE FRONT	1
1.4.2	532-02-01-007	SPLASH PLATE BACK	1
1.4.3	532-02-01-008	SPLASH TOP BAND	1
1.4.4	532-02-01-009	SPLASH PLATE REAR SQ PLATE	1
1.4.5	532-02-01-010	GUIDE BAR	2
1.4.6	532-02-01-011	HINGE SLEEVE	2
1.5	532-02-02-000	SPLASH PLATE ARM ASSY	1
1.5.1	532-02-02-012	SPLASH PLATE ARM	1
1.5.2	532-02-02-013	TUBE HINGE PLATE	1
1.5.3	532-02-01-011	HINGE SLEEVE	2
1.5.4	532-02-02-014	LOCKING LUG	1
1.5.5	532-02-02-015	TUBE END CAP	1
1.6	532-02-03-000	LOCKING HANDLE ASSY	1
1.6.1	532-02-03-016	LOCKING CAM	1
1.6.2	532-02-03-017	LOCKING HANDLE	1
1.7	532-02-00-018	RUBBER ORIFIC SEAL	1
1.8	532-02-00-019	HINGE PIN	1
1.9	532-02-00-020	CONE BAR	1
1.10	532-02-00-021	WASHER	1
1.11	R08011	3/16 x 1 1/2 COTTER PIN	2
1.12	532-02-00-022	PLASTIC CONE DEFLECTOR	1
2	532-03-00-000	EXTENSION TUBE ASSY	1
2.1	532-03-00-023	EXTENSION TUBE	1
2.2	532-03-00-024	BOLT PLATE	1
3	532-04-00-000	4" ELBOW ASSY	1
3.1	R02191	4" WELD ELBOW	1
3.2	532-04-00-028	4" BARBED END	1
4	532-11-00-000	CHAIN SWIVEL PIN ASSY	1
4.1	R07828	1" FLAT WASHER	1
4.2	250-00-00-354	1/4 X 1 1/2" RING	1
4.3	532-11-00-046	PIN	1
5	R07786	5/8-11 UNC HEX NUT	4
6	R07806	5/8" LOCK WASHER	4
7	R08041	1/4" LYNCH PIN	1
8	R08181	5/8 - 18 UNF U-BOLT x 6" LONG	2

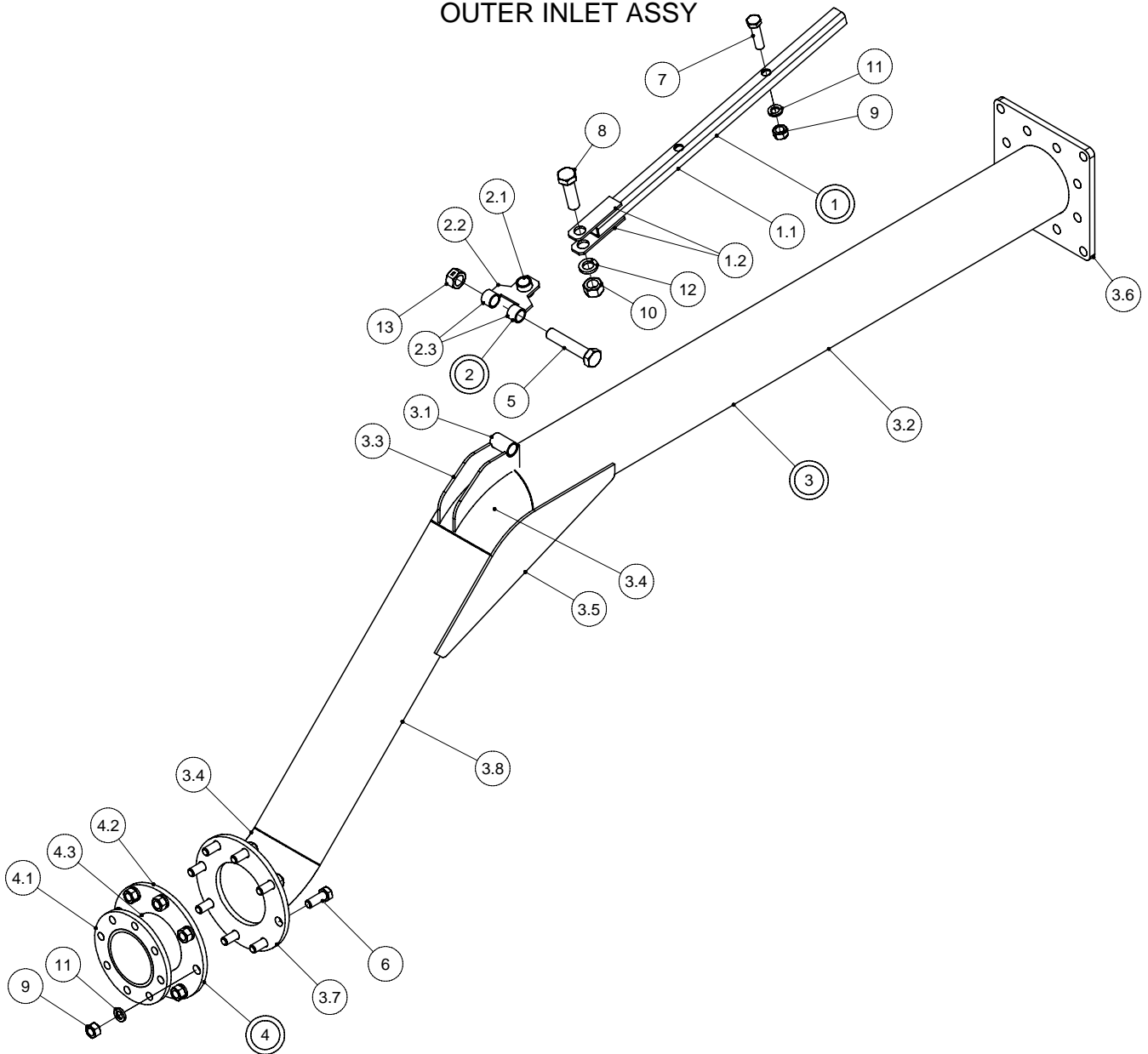
INNER INLET ASSY



INNER INLET ASSY

PARTS LIST				PARTS LIST			
ITEM	PART NUMBER	DESCRIPTION	QTY	ITEM	PART NUMBER	DESCRIPTION	QTY
1	530-03-04-000	LOWER SLEEVE ASSY	1	9	532-14-00-000	UPPER SLEEVE ASSY	1
1.1	530-03-04-025	LOWER MOUNT BRKT	1	9.1	530-03-04-027	"U" BOLT FLANGE	1
1.2	530-03-04-026	COUPLING TUBE	1	9.2	215-02-03-028	STATIONARY SLEEVE	1
1.3	530-03-04-027	"U" BOLT FLANGE	1	9.3	532-14-00-058	UPPER MOUNT BRKT W/PIN HOLES	1
2	530-03-06-000	INLET ASSY	1	9.4	532-14-00-060	LOCK PIN SLEEVE	1
2.1	530-03-06-033	EXTENSION PIPE	2	10	532-16-00-000	CYLINDER PIN ASSY	1
2.2	368-01-72-351	6" VALVE FLANGE	2	10.1	R07828	1" FLAT WASHER	1
2.3	530-03-06-032	INLET BASE PLATE	1	10.2	250-00-00-354	1/4 X 1 1/2" RING	1
3	530-03-08-000	SWIVEL COUPLER ASSY	1	10.3	532-16-00-061	CYLINDER BAR PIN	1
3.1	368-01-72-351	6" VALVE FLANGE	1	11	215-11-00-000	CAP ASSY	1
3.2	384-05-01-025	DOUBLE SEAL HOLDER	1	11.1	215-11-00-069	6" FEMALE CIRLOC STD COUPLING	1
4	530-03-10-000	CHAIN SWIVEL PIN ASSY	1	11.2	215-11-00-070	CAP	1
4.1	530-03-10-037	CHAIN SWIVEL PIN	1	12	215-29-00-160	CONNECTOR ROD	4
4.2	R07925	1/4 x 1 1/2 PLATED RING	1	13	215-29-00-155	SPACER PIPE	4
4.3	R07828	1" FLAT WASHER	1	14	R07666	1 x 5 UNC HEX BOLT	1
5	532-05-00-000	2 OUTLET CANNISTER ASSY	1	15	R02107	1 1/2" ST ELBOW - 90°	1
5.1	308-62-01-197	FLANGE	1	16	R02449	4" COMB NIPPLE	2
5.2	R02127	1 1/2 CLOSE NIPPLE	1	17	R02487	6" RING LOCK CLAMP	1
5.3	532-05-00-029	2 OUTLET CANNISTER	1	18	R02490	1 1/2" CHECK VALVE	1
5.4	532-05-00-030	CANNISTER LID	1	19	R07638	1/2 x 1 1/2 UNC HEX BOLT	12
5.5	532-05-00-031	HALF 4" PIPE COUPLING	2	20	R07653	5/8 x 6 UNC HEX BOLT	8
6	532-06-00-000	TOP SWIVEL ASSY	1	21	R07721	3/8 x 1 UNC CARRIAGE BOLT	7
6.1	530-03-09-035	LONG SWIVEL SLEEVE	1	22	R07723	3/8 x 1 1/2 UNC CARRIAGE BOLT	5
6.2	532-06-00-032	TOP SWIVEL ASSY	1	23	R07783	3/8-16 UNC HEX NUT	12
6.3	532-06-00-033	LONG SWIVEL SLEEVE	1	24	R07785	1/2-13 UNC HEX NUT	12
7	532-07-00-000	LONG SWIVEL ARM ASSY	1	25	R07786	5/8-11 UNC HEX NUT	8
7.1	532-07-00-034	SHORT SWIVEL SLEEVE	2	26	R07787	3/4-10 UNC HEX NUT	8
7.2	532-07-00-036	LONG SWIVEL TUBE	1	27	R07803	3/8" LOCK WASHER	12
7.3	532-07-00-035	SLEEVE BRKT	1	28	R07805	1/2" LOCK WASHER	12
8	532-13-00-000	INLET SWIVEL ASSY	1	29	R07806	5/8" LOCK WASHER	8
8.1	215-02-02-026	SWIVEL TUBE RING	2	30	R07807	3/4" LOCK WASHER	8
8.2	532-13-00-047	6' HOSE PIPE	1	31	R08041	1/4" LYNCH PIN	1
8.3	532-13-00-048	6"HOSE BEAM BRKTS	2	32	R08183	1/4" - 28 STRAIGHT GREASE FITTING	2
8.4	532-13-00-049	6" FLOW METER FLANGE	1	33	R08186	1/8" NPT GREASE FTG	2
8.5	532-13-00-053	SWIVEL TUBE	1	34	R10427	6" HYD VALVE-FLANGED	2
8.6	532-13-00-059	LOCKING PLATE	1	35	R07948	5/32 HAIR PIN	1
8.7	532-14-00-060	LOCK PIN SLEEVE	1	36	R07882	1-8 UNC 2-WAY LOCK NUT	1

OUTER INLET ASSY



PARTS LIST				PARTS LIST			
ITEM	PART NUMBER	DESCRIPTION	QTY	ITEM	PART NUMBER	DESCRIPTION	QTY
1	532-08-00-000	BOTTOM SWIVEL TUBE ASSY	1	3.8	532-10-00-052	EXTENSION PIPE	1
1.1	532-08-00-037	BOOM SWIVEL TUBE	1	4	532-15-00-000	6" TO 5" ADAPTOR ASSY	1
1.2	532-08-00-038	PIVOT PLATE	2	4.1	532-10-00-045	5" FLANGE	1
2	532-09-00-000	BOTTOM PIVOT ASSY	1	4.2	532-15-00-051	ADAPTOR FLANGE	1
2.1	532-09-00-039	SPACER PIPE	1	4.3	532-15-00-050	6" TO 5" ADAPTOR PIPE	1
2.2	532-09-00-040	MOUNT BRKT	1	5	R07666	1 x 5 UNC HEX BOLT	1
2.3	532-07-00-034	SHORT SWIVEL SLEEVE	2	6	R07654	3/4 x 2 UNC HEX BOLT	8
3	532-10-00-000	OUTER INLET TUBE ASSY	1	7	R07656	3/4 x 3 UNC HEX BOLT	1
3.1	532-06-00-033	LONG SWIVEL SLEEVE	1	8	R07664	1 x 3 1/2 UNC HEX BOLT	1
3.2	532-10-00-041	LONG INLET PIPE	1	9	R07787	3/4-10 UNC HEX NUT	9
3.3	532-10-00042	HOLDER BRKT	2	10	R07788	1-8 UNC HEX NUT	1
3.4	532-10-00-043	45 DEGREE 6" WELD ELBOW	2	11	R07807	3/4" LOCK WASHER	9
3.5	532-10-00-044	FISH PLATE	2	12	R07808	1" LOCK WASHER	1
3.6	532-13-00-049	6" FLOW METER FLANGE	1	13	R07882	1-8 UNC 2-WAY LOCK NUT	1
3.7	215-31-01-170	6" STATIONARY FLANGE	1				