

Office Copy

11/12/2007

18 mod
1/28/10

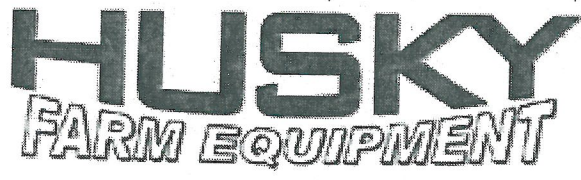
Date Purchased _____ Machine Serial No. _____

Options _____

The key number system in this parts book is arranged as follows:

- ⊙ - Key numbers with two circles denotes main assemblies.
- - Key numbers with one circle are individual parts

Please order parts by number



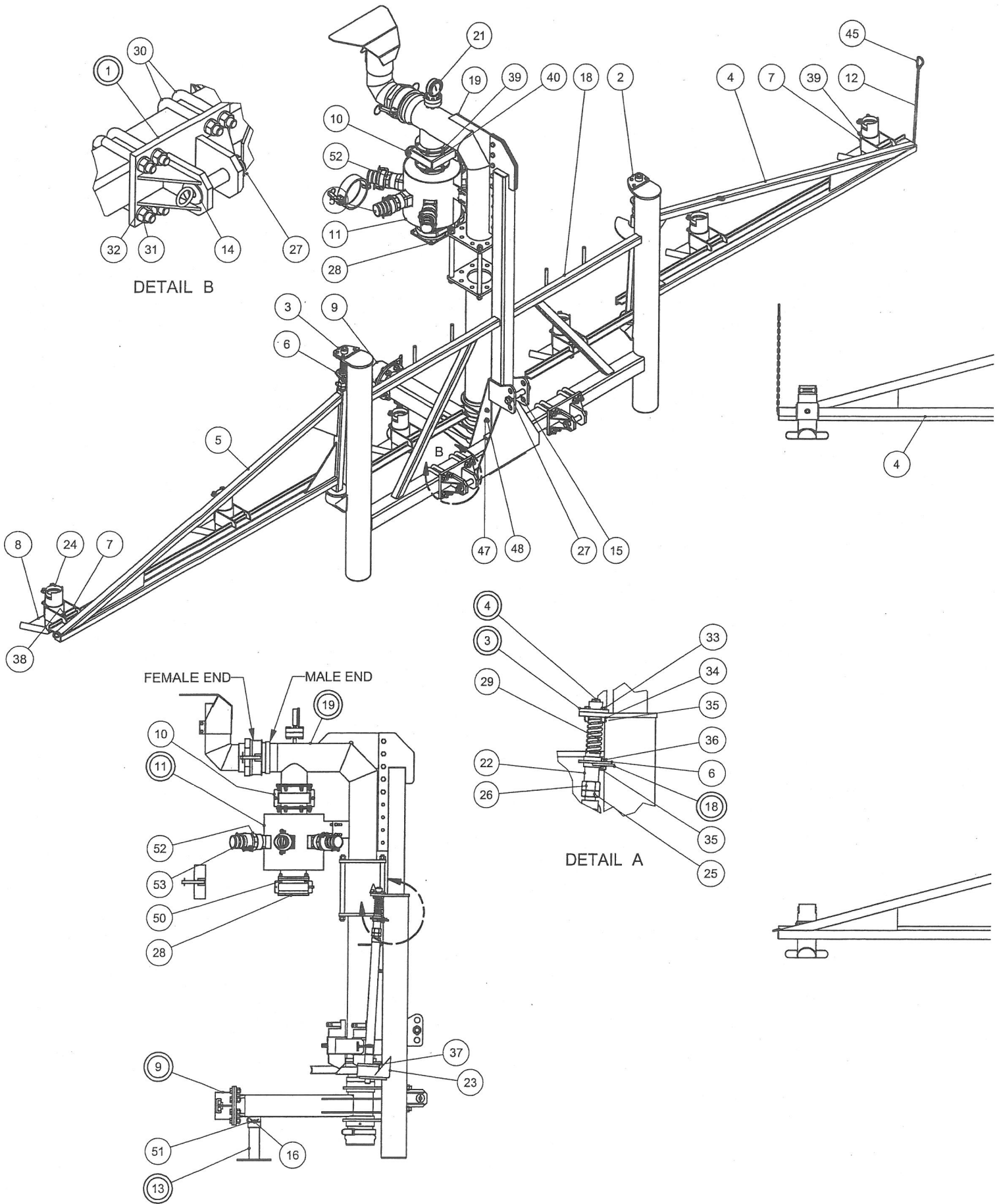
3PT DRAG BOOM

215-00-00-000

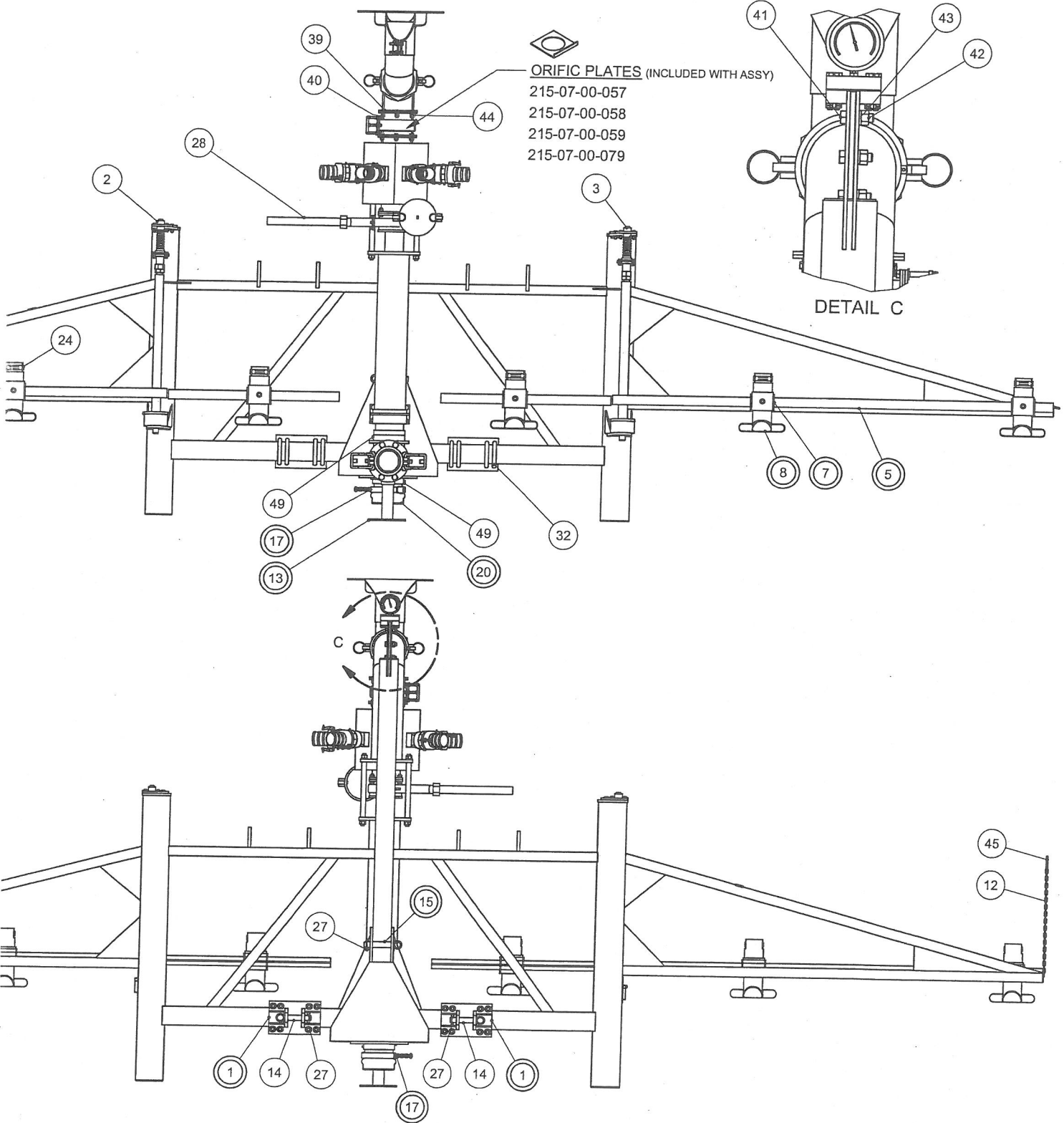
OPERATING INSTRUCTIONS:

1. Do not operate machine until you fully understand the safe operating practices.
2. Stop tractor before attempting to service machine in any way.
3. Use only a tractor of adequate weight and power to operate the Husky Drag Boom.
4. Always examine the field for sharp objects/stones before operating the Husky Drag Boom.
5. While spreading the manure always make tight turns with tractor. If too wide a turn is made, hose may flip over and coil up.
6. When spreading manure with drag hose always have an operator at high pressure pump to shut down if hose breaks, or have a radio controlled kill switch on pump tractor to avoid spills.
7. If spill does occur and there is a danger that water ways will be contaminated, contact authorities **Immediately**, they will help direct the clean up. In Canada call 1-800-268-6060
8. **EXTREME DANGER** – Never enter a dirty manure spreader or storage tank – one breath of hydrogen sulphide gas is enough to kill. Have a ladder in your pit, so that if by accident you should fall, you have a means of getting out.

3PT DRAG LINE COMPLETE



3PT DRAG LINE COMPLETE

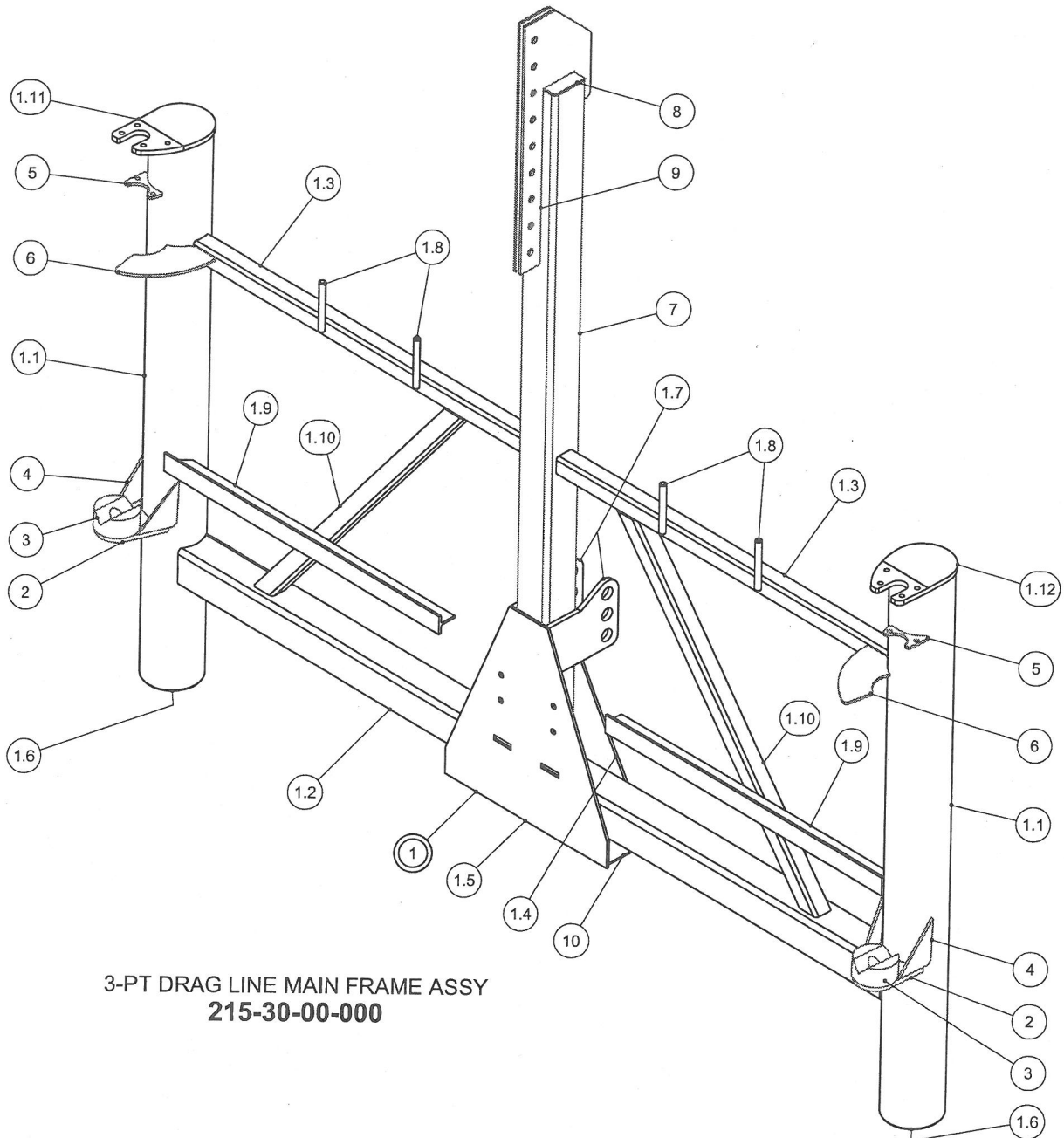


| HOSE NUMBER | DESCRIPTION | LENGTH | QTY |
|---------------|--|--------|-----|
| 215-00-00-149 | SHORT HOSE - 3" HD SUCTION HOSE <small>R02380</small> | 1250mm | 2 |
| 215-00-00-150 | MEDIUM HOSE - 3" HD SUCTION HOSE <small>R02380</small> | 2600mm | 2 |
| 215-00-00-151 | LONG HOSE - 3" HD SUCTION HOSE <small>R02380</small> | 4100mm | 2 |
| 242-35-00-000 | HYD HOSE ASSY | N/A | 1 |

3PT DRAG LINE COMPLETE

| PARTS LIST | | | |
|------------|---------------|---------------------------------------|-----|
| ITEM | PART NUMBER | DESCRIPTION | QTY |
| 1 | 215-22-00-000 | LOWER 3PT HITCH PLATE ASSY | 2 |
| 2 | 215-21-00-000 | LH - HINGE PLATE ASSY w/ BUSHING | 1 |
| 3 | 215-25-00-000 | RH - HINGE PLATE ASSY w/ BUSHING | 1 |
| 4 | 215-04-00-000 | LH WING ASSY | 1 |
| 5 | 215-05-00-000 | RH WING ASSY | 1 |
| 6 | 215-23-00-000 | BOOM SUPPORT BRKT ASSY | 2 |
| 7 | 215-27-00-000 | 4" SPLASH PLATE HOLDER ASSY | 6 |
| 8 | 215-26-00-000 | 4" SPLASH PLATE ASSY | 6 |
| 9 | 215-02-00-000 | INLET SWIVEL BEAM ASSY W/COUPLER | 1 |
| 10 | 215-07-00-000 | ORIFIC BOX KIT | 1 |
| 11 | 215-06-00-000 | 6 OUTLET CANNISTER ASSY - 3" | 1 |
| 12 | 215-00-00-147 | LOCK CHAIN | 1 |
| 13 | 215-15-00-000 | FOOT ASSY | 1 |
| 14 | 215-16-00-000 | LOWER HITCH PIN ASSY | 2 |
| 15 | 215-17-00-000 | UPPER HITCH PIN ASSY | 1 |
| 16 | 215-28-00-000 | FOOT PIN ASSY | 1 |
| 17 | 250-97-00-000 | CLAMP & CHAIN ASSY | 1 |
| 18 | 215-30-00-000 | MAIN FRAME ASSY @ 102" | 1 |
| 19 | 215-29-00-000 | DISCHARGE PIPE ASSY COMPL (FLO METER) | 1 |
| 20 | 215-11-00-000 | CAP ASSY | 1 |
| 21 | 530-04-00-000 | DIAPHRAM PRESSURE SEAL KIT | 1 |
| 22 | 215-00-00-134 | SPRING TIGHTENING TUBE | 2 |
| 23 | 215-00-00-146 | DUST COVER | 2 |
| 24 | R02954 | 4" BAUER CLAMP | 6 |
| 25 | R08370 | 1 1/4" UNF - 12 JAM NUT | 2 |
| 26 | R08369 | 1 1/4" UNF - 12 HEX NUT | 2 |
| 27 | R08040 | 2 - 18 LYNCH PIN | 3 |
| 28 | R10427 | 6" HYD VALVE-FLANGED | 1 |
| 29 | R08034 | HP 88 1 x 4 SPRING | 2 |
| 30 | R08371 | 3/4 - 16 UNF U-BOLT | 8 |
| 31 | R07820 | 3/4" FED. HIGH HEX NUT | 16 |
| 32 | R07807 | 3/4" LOCK WASHER | 16 |
| 33 | R07620 | 3/8 x 1 1/2 HEX BOLT | 8 |
| 34 | R07803 | 3/8 LOCK WASHER | 12 |
| 35 | R07783 | 3/8 HEX NUT | 12 |
| 36 | R07619 | 3/8 x 1 HEX BOLT | 4 |
| 37 | R02240 | H-5 80 GEAR CLAMP 5" | 2 |
| 38 | R07628 | 7/16 x 1 HEX BOLT | 6 |
| 39 | R07671 | 7/16 x 1 1/4 HEX BOLT | 18 |
| 40 | R07784 | 7/16 HEX NUT | 18 |
| 41 | R07647 | 5/8 x 2" HEX BOLT | 5 |
| 42 | R07786 | 5/8 HEX NUT | 5 |
| 43 | R07806 | 5/8 LOCK WASHER | 5 |
| 44 | R07804 | 7/16 LOCK WASHER | 12 |
| 45 | R08044 | 5/16" SNAP LINK | 1 |
| 46 | R07777 | 1/2 x 1 1/2 UNC CARRIAGE BOLT | 4 |
| 47 | R07805 | 1/2 LOCK WASHER | 8 |
| 48 | R07785 | 1/2 HEX NUT | 8 |
| 49 | R08186 | 1/8" NPT GREASE FTG | 2 |
| 50 | R07638 | 1/2 x 1 1/2 HEX BOLT | 4 |
| 51 | R07948 | 5/32 HAIR PIN | 1 |
| 52 | R02778 | 3" CAMLOCK M->F NPT | 6 |
| 53 | R02780 | 3" CAMLOCK FEMALE ADAPTER | 6 |
| 54 | R02121 | 1/4" CLOSE NIPPLE | 1 |

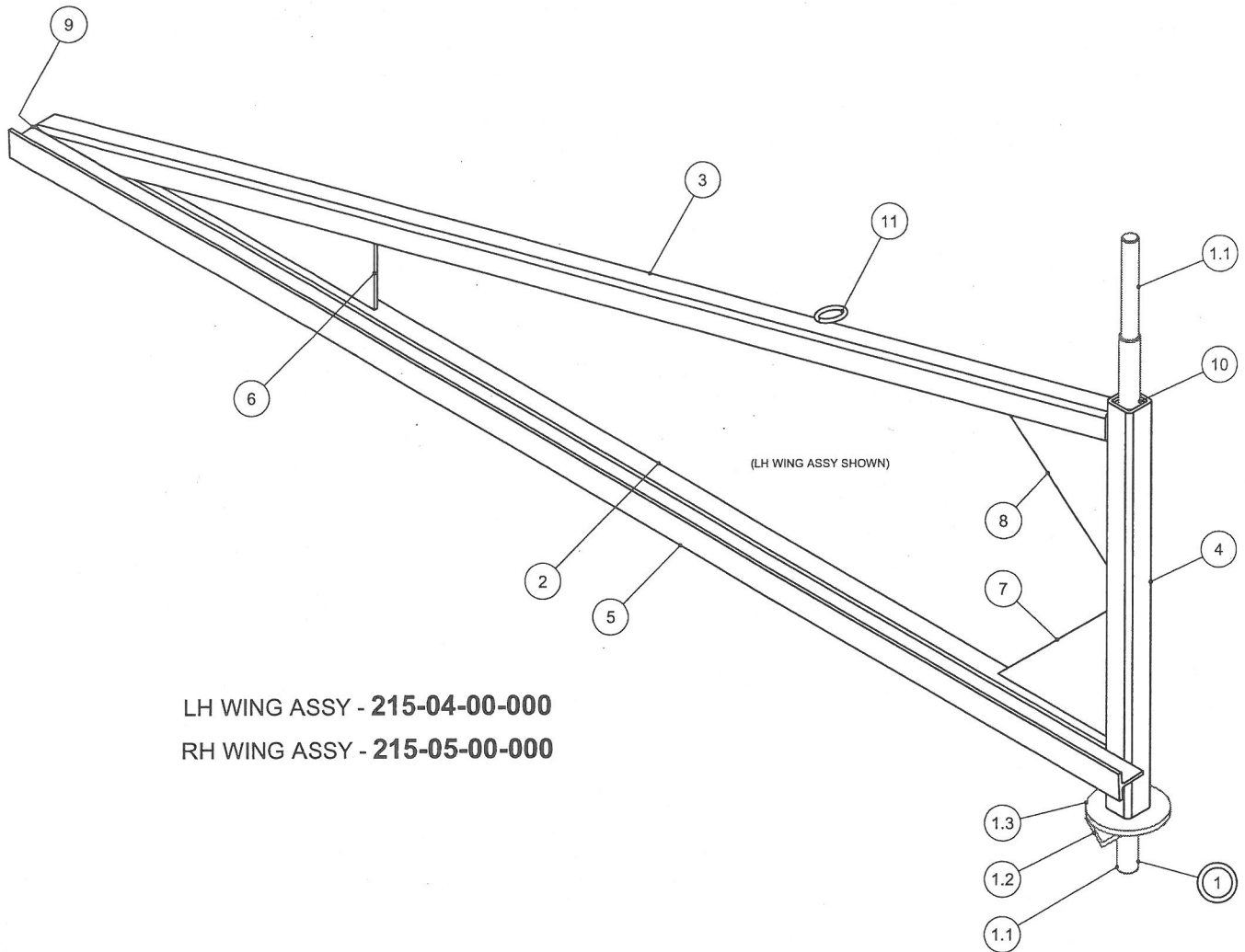
DRAG LINE MAIN FRAME ASSY



**3-PT DRAG LINE MAIN FRAME ASSY
215-30-00-000**

| PARTS LIST | | | | PARTS LIST | | | |
|------------|---------------|----------------------------|-----|------------|---------------|----------------------------|-----|
| ITEM | PART NUMBER | DESCRIPTION | QTY | ITEM | PART NUMBER | DESCRIPTION | QTY |
| 1 | 215-01-01-000 | MAIN FRAME SUB ASSY @ 102" | 1 | 1.11 | 215-01-01-129 | TOP LH HINGE BOLT PLATE | 1 |
| 1.1 | 215-01-00-001 | END POST | 2 | 1.12 | 215-01-01-130 | TOP RH HINGE BOLT PLATE | 1 |
| 1.2 | 215-01-00-002 | CROSS TUBE | 1 | 2 | 215-01-00-131 | CAM BACK PLATE | 2 |
| 1.3 | 215-01-00-003 | UPPER CROSS TUBE | 2 | 3 | 215-01-00-132 | CAM - FEMALE | 2 |
| 1.4 | 215-01-00-006 | FRONT GUSSET | 1 | 4 | 215-01-00-133 | BACK PLATE SUPPORT GUSSET | 4 |
| 1.5 | 215-01-00-007 | REAR GUSSET | 1 | 5 | 215-01-00-137 | SUPPORT PLATE | 2 |
| 1.6 | 215-01-00-010 | POST CAP | 2 | 6 | 215-01-00-145 | STOP BRKT | 2 |
| 1.7 | 215-01-00-016 | TOP LINK PLATE | 2 | 7 | 215-30-00-161 | VERTICAL TUBE | 1 |
| 1.8 | 215-01-00-017 | HOOKS | 4 | 8 | 215-01-00-012 | CAP | 1 |
| 1.9 | 215-01-00-019 | CENTER "T" BAR | 2 | 9 | 215-30-00-165 | DISCHARGE PIPE ATT'MT BRKT | 2 |
| 1.10 | 215-01-00-005 | CROSS BRACE | 2 | 10 | 215-30-00-166 | FILLER PLATE | 1 |

DRAG BOOM WING ASSY

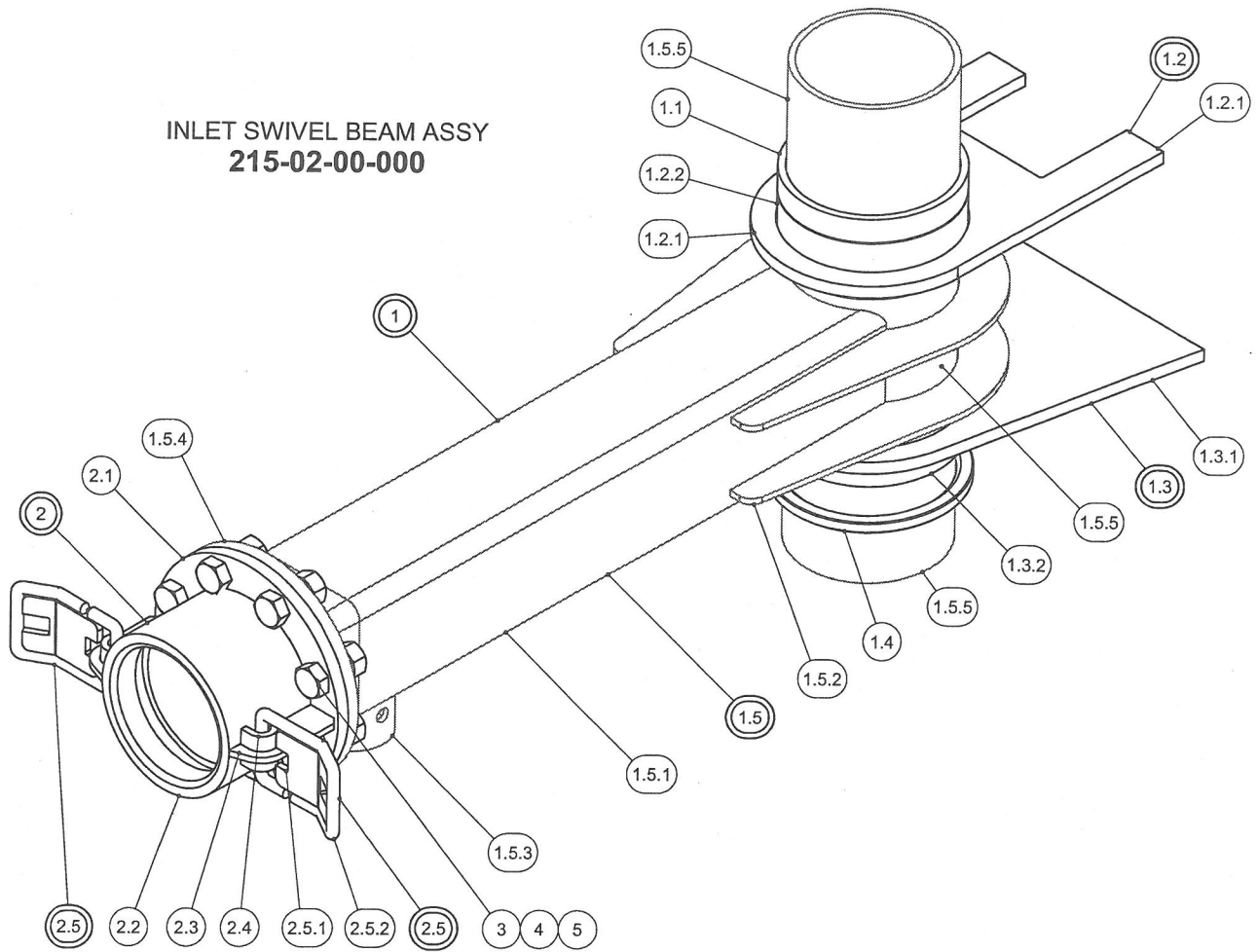


LH WING ASSY - 215-04-00-000

RH WING ASSY - 215-05-00-000

| PARTS LIST | | | |
|------------|---------------|-----------------------|-----|
| ITEM | PART NUMBER | DESCRIPTION | QTY |
| 1 | 215-04-01-000 | SWIVEL PIN ASSY | 1 |
| 1.1 | 215-04-01-044 | MAIN PIN | 1 |
| 1.2 | 215-04-01-126 | MALE CAM | 1 |
| 1.3 | 215-04-01-125 | ANGLE BACK PLATE | 1 |
| 2 | 215-04-00-037 | BOOM BOTTOM BEAM | 1 |
| 3 | 215-04-00-038 | BOOM TOP BEAM | 1 |
| 4 | 215-04-00-039 | BOOM PIVOT POST | 1 |
| 5 | 215-04-00-040 | BOOM "T" BAR | 1 |
| 6 | 215-04-00-041 | OUTER GUSSET | 1 |
| 7 | 215-04-00-042 | INNER LOWER GUSSET | 1 |
| 8 | 215-04-00-043 | INNER UPPER GUSSET | 1 |
| 9 | 215-04-00-047 | END CAP | 1 |
| 10 | 215-04-00-124 | SHAFT CENTERING PLATE | 2 |
| 11 | 250-00-00-354 | 1/4 X 1 1/2" RING | 1 |

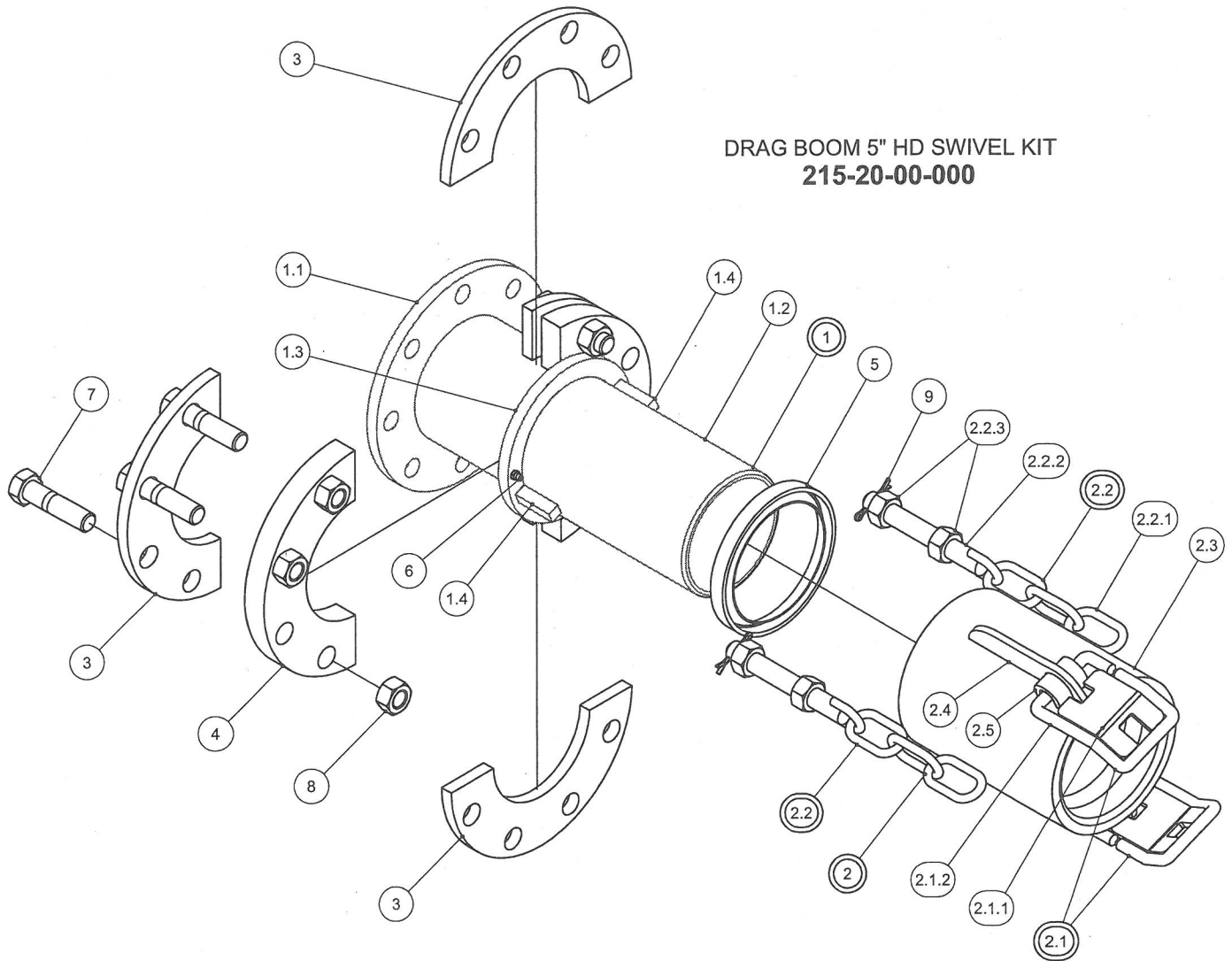
INLET SWIVEL BEAM ASSY



**INLET SWIVEL BEAM ASSY
215-02-00-000**

| PARTS LIST | | | | PARTS LIST | | | |
|------------|---------------|------------------------|-----|------------|---------------|-----------------------|-----|
| ITEM | PART NUMBER | DESCRIPTION | QTY | ITEM | PART NUMBER | DESCRIPTION | QTY |
| 1 | 215-02-01-000 | INLET SWIVEL BEAM ASSY | 1 | 1.5.4 | 215-20-03-110 | FLANGE | 1 |
| 1.1 | 215-02-02-026 | SWIVEL TUBE RING | 1 | 1.5.5 | 215-02-02-025 | SWIVEL TUBE | 1 |
| 1.2 | 215-02-03-000 | SLEEVE ASSY | 1 | 2 | 215-02-05-000 | FLANGED COUPLER ASSY | 1 |
| 1.2.1 | 215-02-03-027 | UPPER MOUNT BRKT | 1 | 2.1 | 215-02-05-121 | COUPLER FLANGE | 1 |
| 1.2.2 | 215-02-03-028 | STATIONARY SLEEVE | 1 | 2.2 | 215-02-01-022 | 5" HOSE COUPLER | 1 |
| 1.3 | 215-02-04-000 | SLEEVE ASSY - LOWER | 1 | 2.3 | 215-02-01-023 | COUPLER SLEEVE HOLDER | 2 |
| 1.3.1 | 215-02-04-029 | LOWER MOUNT BRKT | 1 | 2.4 | 200-53-00-115 | KROY COUPLER SLEEVE | 2 |
| 1.3.2 | 215-02-03-028 | STATIONARY SLEEVE | 1 | 2.5 | 215-02-06-000 | "H" BRKT ASSY | 2 |
| 1.4 | 250-95-00-295 | CLAMP RING | 1 | 2.5.1 | 215-02-01-024 | "H" BRACKET | 1 |
| 1.5 | 215-02-07-000 | INLET ASSY | 1 | 2.5.2 | 200-53-00-116 | BANDLOCK COUPLER RING | 1 |
| 1.5.1 | 215-02-01-020 | HOSE BEAM | 1 | 3 | R07654 | 3/4 x 2" HEX BOLT | 8 |
| 1.5.2 | 215-02-01-021 | HOSE BEAM BRKTS | 2 | 4 | R07807 | 3/4" LOCK WASHER | 8 |
| 1.5.3 | 215-02-01-080 | FOOT STAND | 1 | 5 | R07787 | 3/4 - 10 UNC HEX NUT | 8 |

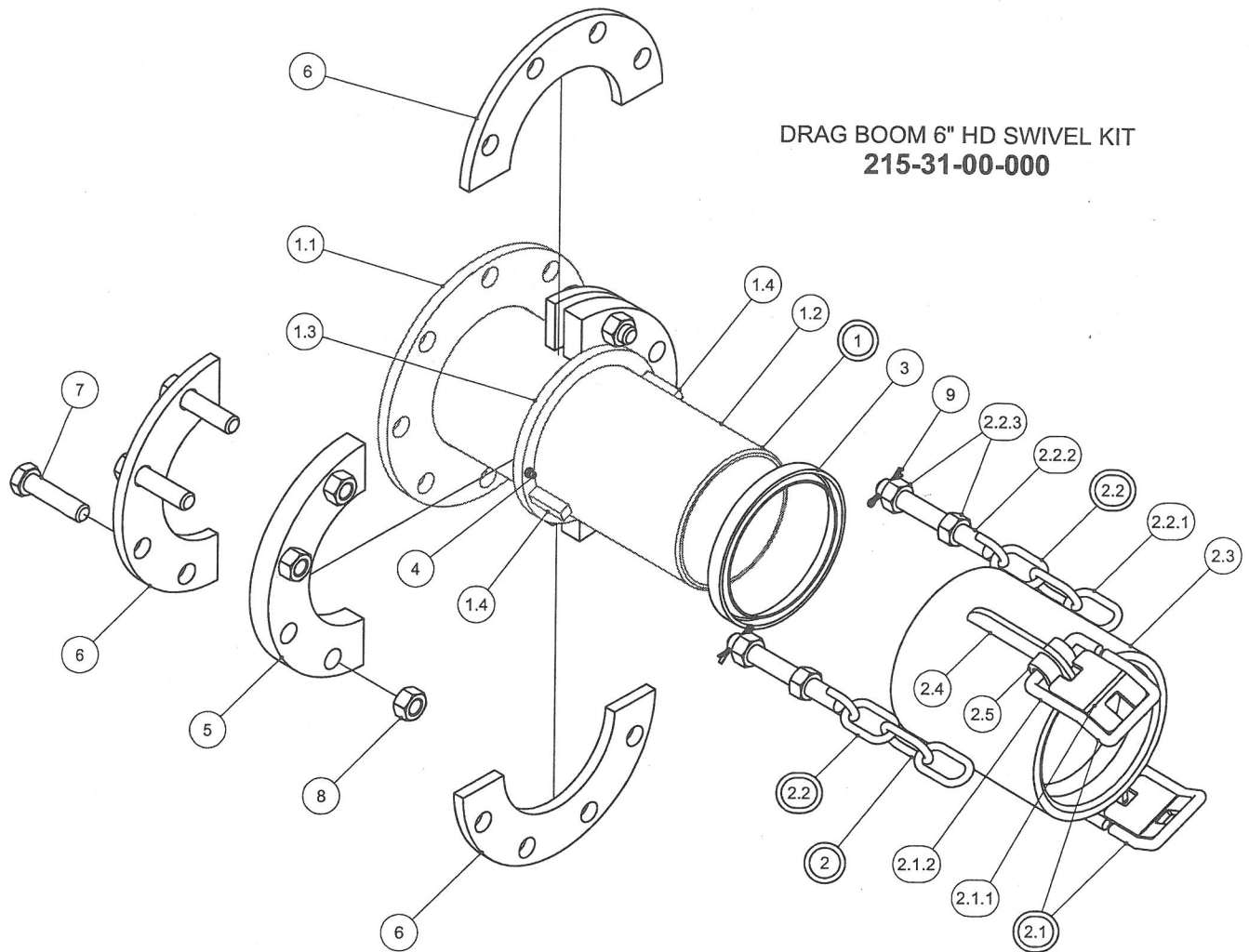
DRAG BOOM 5in SWIVEL KIT



**DRAG BOOM 5" HD SWIVEL KIT
215-20-00-000**

| PARTS LIST | | | | PARTS LIST | | | |
|------------|---------------|----------------------------|-----|------------|---------------|-----------------------------------|-----|
| ITEM | PART NUMBER | DESCRIPTION | QTY | ITEM | PART NUMBER | DESCRIPTION | QTY |
| 1 | 215-20-03-000 | FLANGED PIPE ASSY | 1 | 2.2.3 | R07881 | 3/4 - 2 WAY LOCK NUT | 2 |
| 1.1 | 215-20-03-110 | FLANGE | 1 | 2.3 | 215-20-01-108 | DOUBLE HOSE COUPLER - 5" | 1 |
| 1.2 | 215-20-03-111 | STATIONARY SLEEVE | 1 | 2.4 | 215-20-01-109 | COULPER SLEEVE HOLDER | 2 |
| 1.3 | 215-20-03-112 | RING | 1 | 2.5 | 200-53-00-115 | KROY COUPLER SLEEVE | 2 |
| 1.4 | 438-01-03-003 | SPACER | 2 | 3 | 215-20-00-114 | HALF RING | 4 |
| 2 | 215-20-01-000 | EXTENDED COUPLER ASSY - 5" | 1 | 4 | 215-20-00-113 | PLASTIC HALF RING | 2 |
| 2.1 | 215-02-06-000 | "H" BRKT ASSY | 2 | 5 | R02355 | 5" RW GASKET | 2 |
| 2.1.1 | 215-02-01-024 | "H" BRACKET | 1 | 6 | R08183 | 1/4" - 28 STRAIGHT GREASE FITTING | 2 |
| 2.1.2 | 200-53-00-116 | BANDLOCK COUPLER RING | 1 | 7 | R07656 | 3/4 x 3" HEX BOLT | 6 |
| 2.2 | 215-20-02-000 | CHAIN ASSY | 2 | 8 | R07881 | 3/4 - 2 WAY LOCK NUT | 6 |
| 2.2.1 | 215-20-02-115 | CHAIN | 1 | 9 | R08207 | 5/32 x 1 1/2 S.S. COTTER PIN | 2 |
| 2.2.2 | 215-20-02-116 | REDDI THREAD | 1 | | | | |

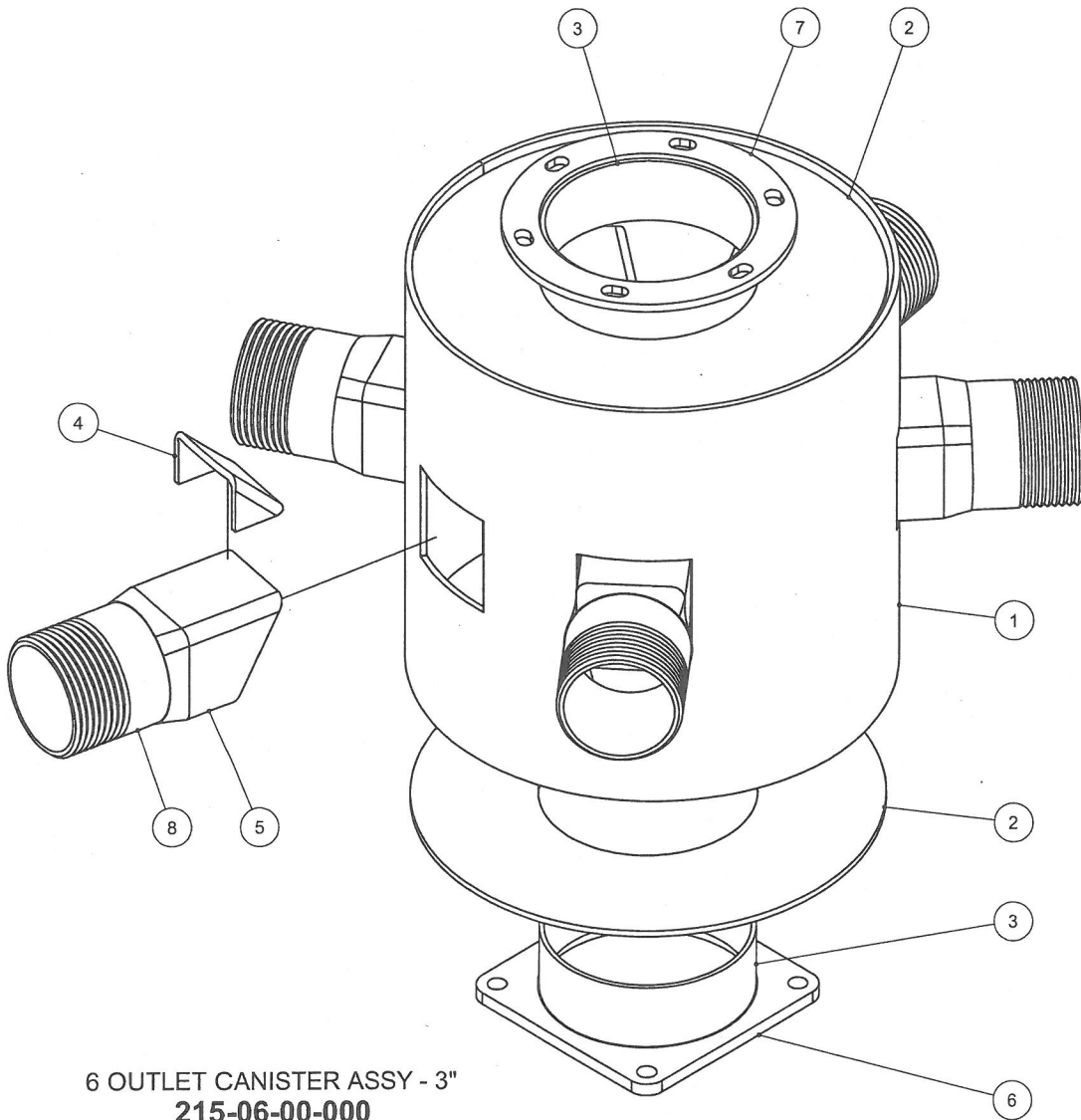
DRAG BOOM 6in SWIVEL KIT



**DRAG BOOM 6" HD SWIVEL KIT
215-31-00-000**

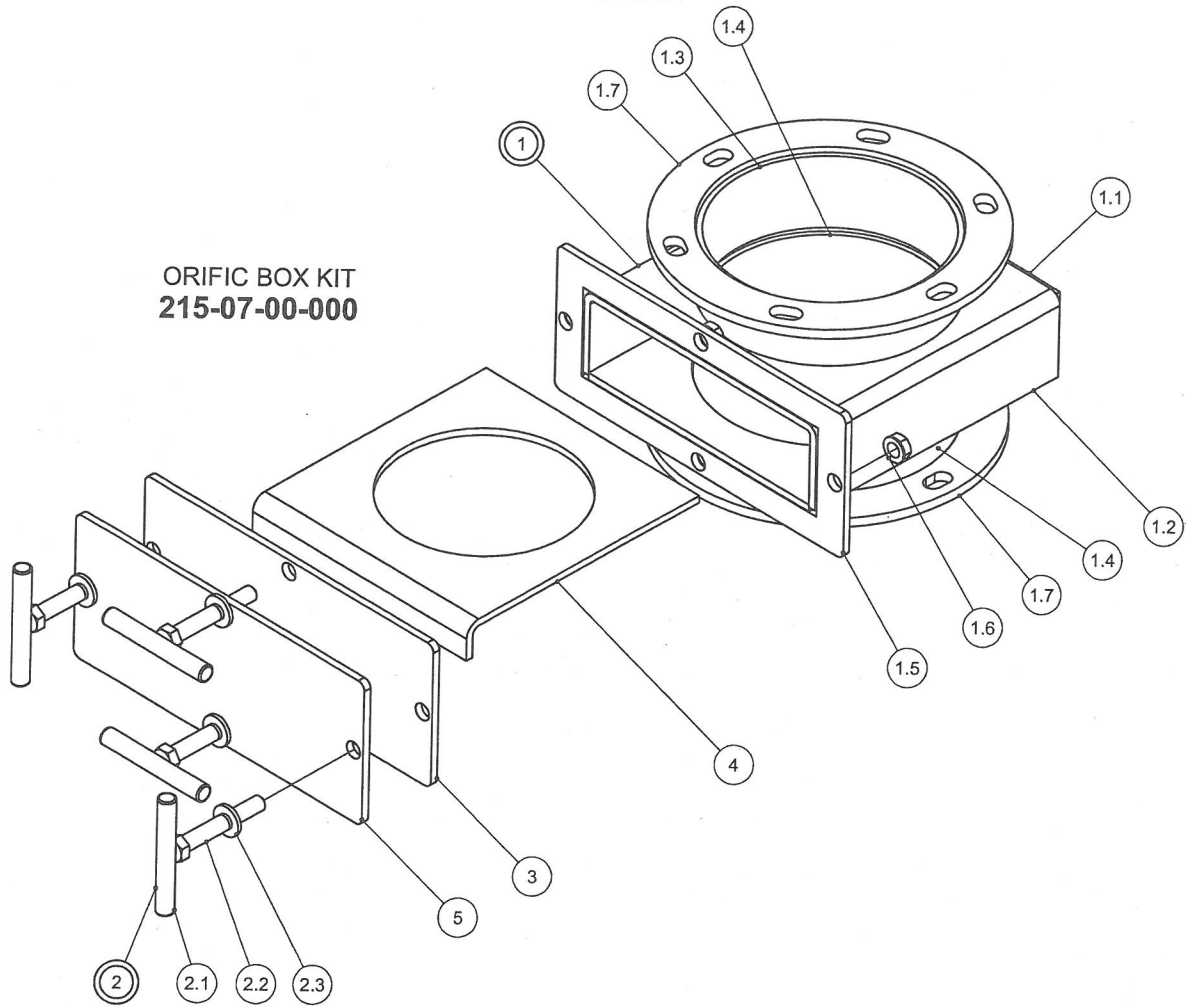
| PARTS LIST | | | | PARTS LIST | | | |
|------------|---------------|--------------------------|-----|------------|---------------|-----------------------------------|-----|
| ITEM | PART NUMBER | DESCRIPTION | QTY | ITEM | PART NUMBER | DESCRIPTION | QTY |
| 1 | 215-31-01-000 | 6" FLANGED PIPE ASSY | 1 | 2.2.3 | R07881 | 3/4 - 2 WAY LOCK NUT | 2 |
| 1.1 | 215-31-01-170 | 6" STATIONARY FLANGE | 1 | 2.3 | 215-31-02-172 | 6" DOUBLE HOSE COUPLER | 1 |
| 1.2 | 215-31-01-169 | 6" STATIONARY SLEEVE | 1 | 2.4 | 215-20-01-109 | COULPER SLEEVE HOLDER | 2 |
| 1.3 | 215-31-01-171 | RING | 1 | 2.5 | 200-53-00-115 | KROY COUPLER SLEEVE | 2 |
| 1.4 | 438-01-03-003 | SPACER | 2 | 3 | R02366 | 6" RUBBER GASKET | 2 |
| 2 | 215-31-02-000 | 6" EXTENDED COUPLER ASSY | 1 | 4 | R08183 | 1/4" - 28 STRAIGHT GREASE FITTING | 2 |
| 2.1 | 215-02-06-000 | "H" BRKT ASSY | 2 | 5 | 215-31-00-173 | 1" HALF PLASTIC RING | 2 |
| 2.1.1 | 215-02-01-024 | "H" BRACKET | 1 | 6 | 215-31-00-174 | 1/2" HALF STEEL RING | 4 |
| 2.1.2 | 200-53-00-116 | BANDLOCK COUPLER RING | 1 | 7 | R07656 | 3/4 x 3 UNC HEX BOLT | 6 |
| 2.2 | 215-20-02-000 | CHAIN ASSY | 2 | 8 | R07881 | 3/4 - 2 WAY LOCK NUT | 6 |
| 2.2.1 | 215-20-02-115 | CHAIN | 1 | 9 | R08207 | 5/32 x 1 1/2 S.S. COTTER PIN | 2 |
| 2.2.2 | 215-20-02-116 | REDDI THREAD | 1 | | | | |

DRAG BOOM CANISTER ASSY



| PARTS LIST | | | |
|------------|---------------|-----------------------|-----|
| ITEM | PART NUMBER | DESCRIPTION | QTY |
| 1 | 215-06-00-048 | 6 OUTLET MANIFOLD | 1 |
| 2 | 215-06-00-049 | CANNISTER CAP | 2 |
| 3 | 215-06-00-050 | EXTENSION TUBE | 2 |
| 4 | 308-62-01-178 | DEFLECTOR PLATE | 6 |
| 5 | 215-06-00-117 | FLARED DEFLECTOR TUBE | 6 |
| 6 | 368-01-72-351 | 6" VALVE FLANGE | 1 |
| 7 | 364-19-00-087 | DISCHARGE PIPE FLANGE | 1 |
| 8 | R02099 | 3" TOE PIPE NIPPLE | 6 |

ORIFIC BOX KIT

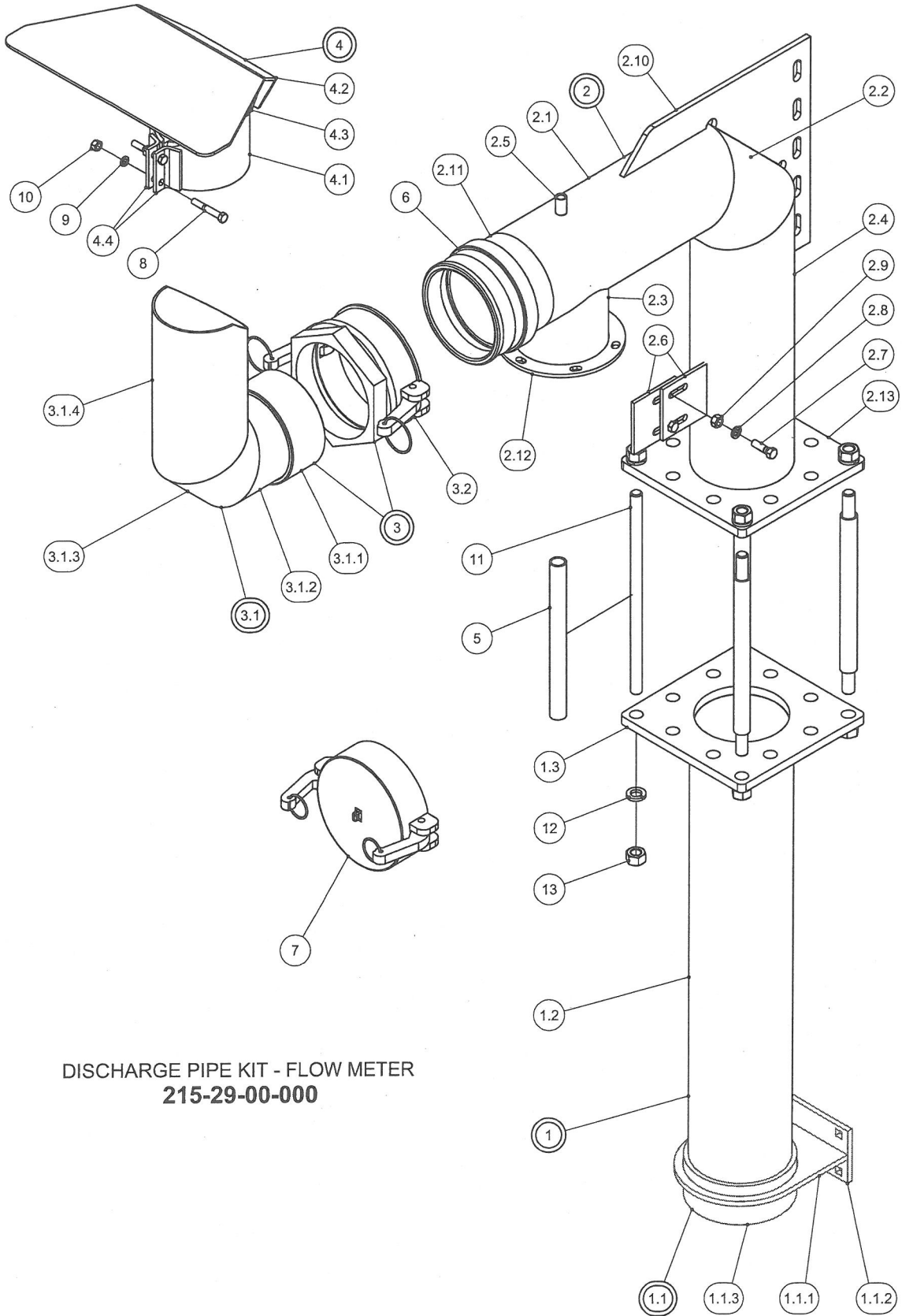


ORIFIC BOX KIT
215-07-00-000

PARTS LIST

| ITEM | PART NUMBER | DESCRIPTION | QTY |
|------|---------------|-----------------------|-----|
| 1 | 215-07-01-000 | ORIFIC BOX ASSY | 1 |
| 1.1 | 215-07-01-052 | BOTTOM BODY | 1 |
| 1.2 | 215-07-01-051 | TOP BODY | 1 |
| 1.3 | 215-06-00-050 | EXTENSION TUBE | 1 |
| 1.4 | 215-07-01-056 | LOWER EXTENSION TUBE | 1 |
| 1.5 | 215-07-01-053 | BODY FLANGE | 1 |
| 1.6 | R07794 | 3/8 FLANGE NUT | 4 |
| 1.7 | 364-19-00-087 | DISCHARGE PIPE FLANGE | 2 |
| 2 | 215-07-02-000 | "T" HANDLE ASSY | 4 |
| 2.1 | 215-07-02-060 | "T" HANDLE | 1 |
| 2.2 | R07622 | 3/8 x 2 1/2 HEX BOLT | 1 |
| 2.3 | R07823 | 3/8 FLAT WASHER | 1 |
| 3 | 215-07-00-054 | RUBBER SEAL | 1 |
| 4 | 215-07-00-057 | 5" ORIFIC PLATE | 1 |
| | 215-07-00-058 | 4 1/2" ORFICE PLATE | 1 |
| | 215-07-00-059 | 4" ORFICE PLATE | 1 |
| | 215-07-00-079 | SOLID ORFICE PLATE | 1 |
| 5 | 215-07-00-055 | COVER PLATE | 1 |

DRAG BOOM DISCHARGE PIPE KIT - FLOW METER

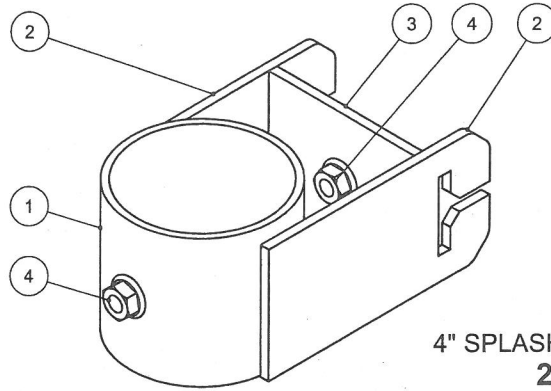


DISCHARGE PIPE KIT - FLOW METER
215-29-00-000

DRAG BOOM DISCHARGE PIPE KIT - FLOW METER

| PARTS LIST | | | |
|------------|---------------|--------------------------------|-----|
| ITEM | PART NUMBER | DESCRIPTION | QTY |
| 1 | 215-29-01-000 | LOWER DISCHARGE PIPE ASSY | 1 |
| 1.1 | 215-03-01-000 | GASKET SLEEVE ASSY | 1 |
| 1.1.1 | 215-03-01-030 | MOUNT PLATE | 1 |
| 1.1.2 | 215-03-01-031 | MOUNT PLATE | 1 |
| 1.1.3 | 250-67-00-168 | GASKET SLEEVE | 1 |
| 1.2 | 215-29-01-154 | LOWER DISCHARGE PIPE | 1 |
| 1.3 | 215-00-00-164 | 6" FLO MONITOR FLANGE(ROTATED) | 1 |
| 2 | 215-29-02-000 | DISCHARGE PIPE ASSY | 1 |
| 2.1 | 215-29-02-157 | HORIZONTAL DISCHARGE PIPE | 1 |
| 2.2 | 215-29-02-158 | CORNER DISCHARGE PIPE | 1 |
| 2.3 | 215-14-01-078 | DISCHARGE DROP PC | 1 |
| 2.4 | 215-29-02-156 | VERTICAL DISCHARGE PIPE | 1 |
| 2.5 | R02057 | 1/4" FULL PIPE COUPLING | 1 |
| 2.6 | 215-29-02-162 | CAN REINFORCING PLATE | 2 |
| 2.7 | R07629 | 7/16 x 1 1/2 HEX BOLT | 2 |
| 2.8 | R07804 | 7/16 LOCK WASHER | 2 |
| 2.9 | R07784 | 7/16 HEX NUT | 2 |
| 2.10 | 215-29-02-159 | CONNECTOR BRKT | 1 |
| 2.11 | R02037 | EXTENSION NIPPLE | 1 |
| 2.12 | 364-19-00-087 | DISCHARGE PIPE FLANGE | 1 |
| 2.13 | 215-00-00-164 | 6" FLO MONITOR FLANGE(ROTATED) | 1 |
| 3 | 372-08-00-000 | COUPLER AND ELBOW KIT | 1 |
| 3.1 | 372-08-05-000 | ELBOW ASSY FOR CAMLOCK | 1 |
| 3.1.1 | 372-08-05-043 | HALF NIPPLE | 1 |
| 3.1.2 | 368-60-49-357 | ELBOW BASE PC | 1 |
| 3.1.3 | 364-19-00-082 | DISCHARGE PIPE CORNER PC | 1 |
| 3.1.4 | 364-25-00-067 | DISCHARGE PIPE END PC | 1 |
| 3.2 | R02801 | 6" CAMLOCK PART "D" COUPLER | 1 |
| 4 | 364-68-00-000 | SPLASH PLATE ASSY | 1 |
| 4.1 | 364-68-00-215 | CLAMPING TUBE | 1 |
| 4.2 | 364-21-00-069 | SPLASH PLATE | 1 |
| 4.3 | 364-21-00-224 | SPLASH PLATE WING | 2 |
| 4.4 | 364-21-00-071 | CLAMPING TUBE BRKT | 2 |
| 5 | 215-29-00-155 | SPACER PIPE | 4 |
| 6 | R02798 | 6" FEMALE CAMLOCK | 1 |
| 7 | R02804 | 6" FEMALE CAMLOCK CAP | 1 |
| 8 | R07622 | 3/8 x 2 1/2 HEX BOLT | 2 |
| 9 | R07803 | 3/8 LOCK WASHER | 2 |
| 10 | R07783 | 3/8 HEX NUT | 2 |
| 11 | 215-29-00-160 | CONNECTOR ROD | 4 |
| 12 | R07807 | 3/4" LOCK WASHER | 8 |
| 13 | R07787 | 3/4 - 10 UNC HEX NUT | 8 |

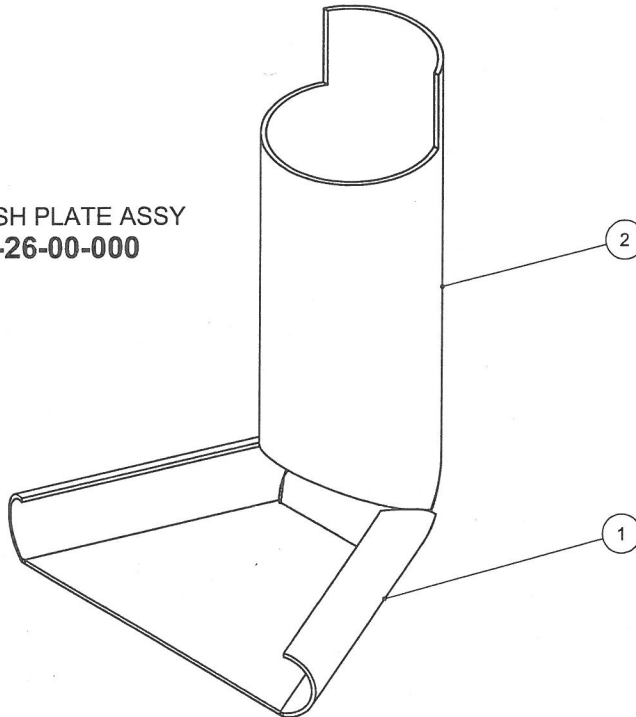
SPLASH PLATE & HOLDER



**4" SPLASH PLATE HOLDER ASSY
215-27-00-000**

| PARTS LIST | | | |
|------------|---------------|---------------------|-----|
| ITEM | PART NUMBER | DESCRIPTION | QTY |
| 1 | 215-27-00-142 | OUTER TUBE | 1 |
| 2 | 215-27-00-144 | CONNECTOR BRKT | 2 |
| 3 | 215-27-00-143 | CROSS PLATE | 1 |
| 4 | R07795 | 1/2" UNC FLANGE NUT | 2 |

**4" SPLASH PLATE ASSY
215-26-00-000**



| PARTS LIST | | | |
|------------|---------------|----------------------|-----|
| ITEM | PART NUMBER | DESCRIPTION | QTY |
| 1 | 215-26-00-140 | SPLASH PLATE | 1 |
| 2 | 215-26-00-141 | 4" SPLASH PLATE TUBE | 1 |