

Date Purchased _____ Machine Serial No. _____

Options _____

The key number system in this parts book is arranged as follows:

- ⊙ - Key numbers with two circles denotes main assemblies.
- - Key numbers with one circle are individual parts

Please order parts by number

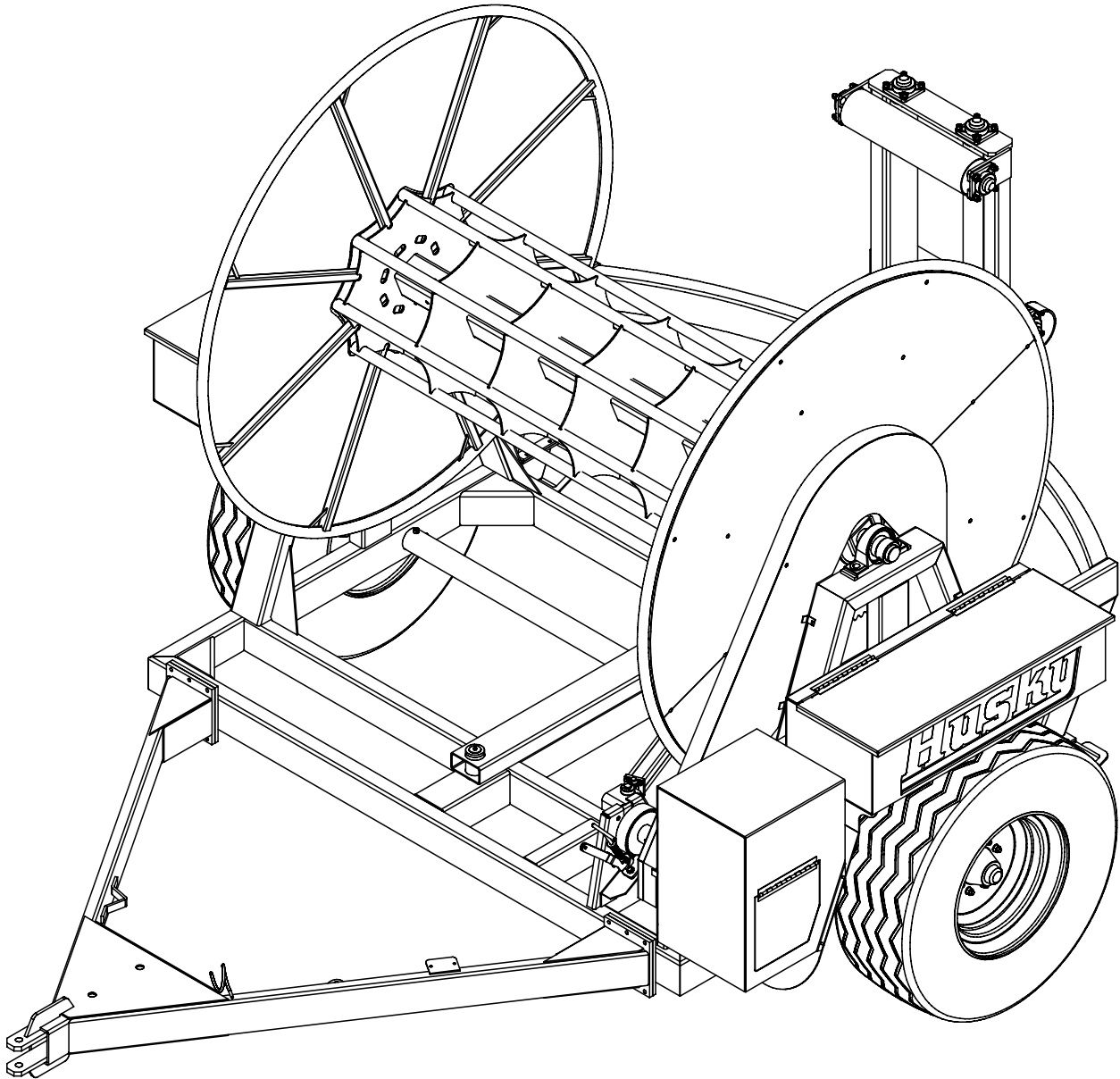
**OPEN REEL ▪ 204-00-00-000****PRE OPERATION CHECKLIST:**

1. Ensure all hydraulic hoses and fittings are in good condition.
2. Adjust spring loaded brake, so that enough tension is applied as hose unreels. A lack of tension may cause the reel to unwind uncontrollably.
3. Check wheel nut tension and tire pressure.
4. Check chain tension and adjust if necessary.
5. Apply grease to all grease fittings.
6. Check field for any sharp objects.

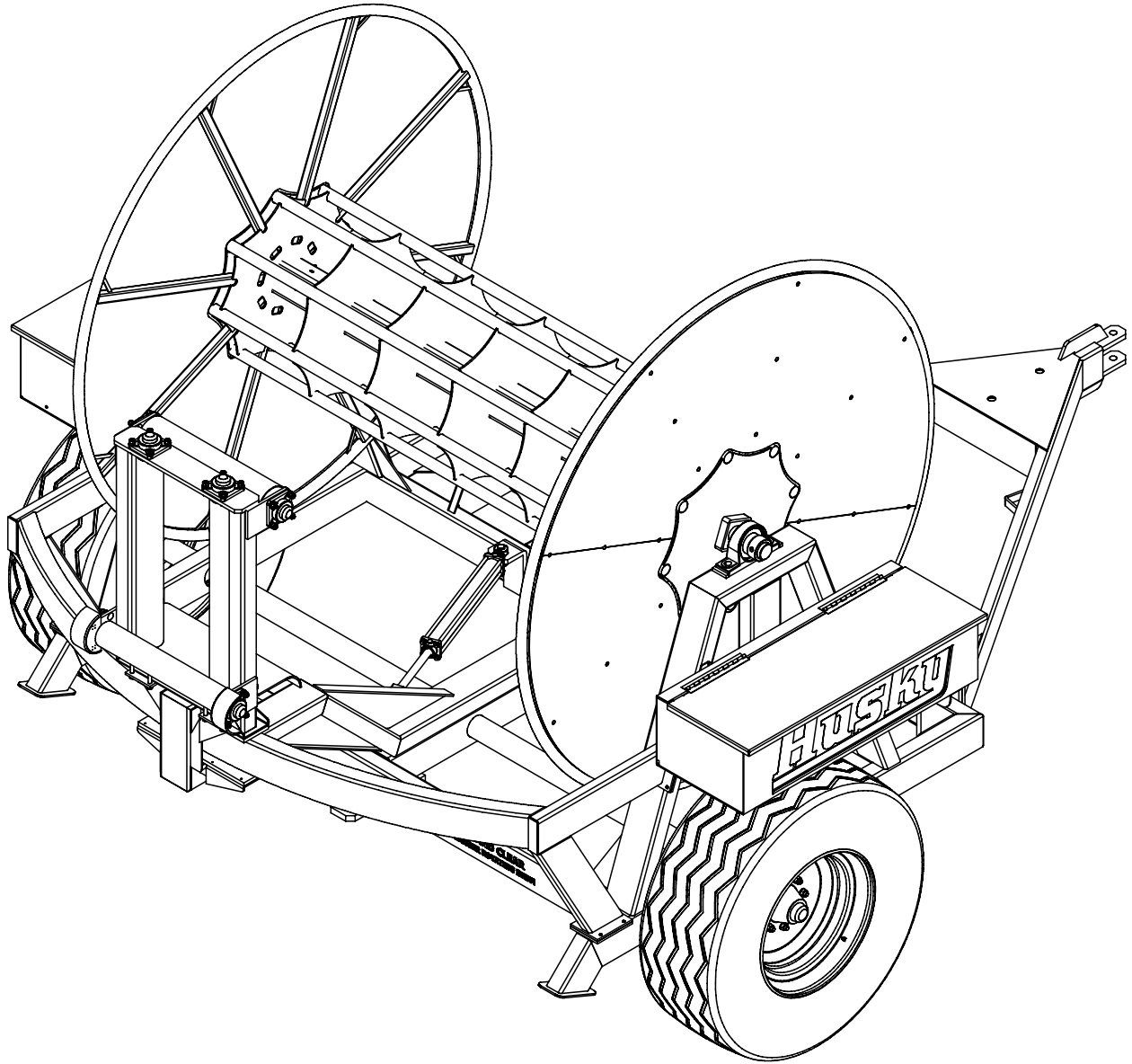
OPERATING INSTRUCTIONS:

1. Stop tractor before attempting to service machine in any way.
2. Reel must be attached to Tractor while in operation. Always apply brakes while reeling in, and an operator must be present in tractor at all times while the reel is winding in/out.
3. For free wheeling, tie hose to a stationary object and remove free wheeling pin, then drive tractor ahead slowly as the hose unreels.
4. Never try and wind up more than 660 feet of hose on one pull. Never try to pull a full hose, ensure hose is empty before pulling in.
5. Always back the Husky Hose Reel up to get a few wraps around hose drum before pulling hose tight, otherwise it will pull the end off of the hose.
6. While spreading/injecting the manure always make tight turns with tractor. If too wide a turn is made, hose may flip over and coil up.
7. When spreading manure with drag hose always have an operator at high pressure pump to shut down if hose breaks, or have a radio controlled kill switch on pump tractor to avoid spills.
8. If spill does occur and there is a danger that water ways will be contaminated, contact authorities **Immediately**, they will help direct the clean up. In Canada call 1-800-268-6060
9. Never enter a tanker without special breathing equipment to supply oxygen. **Manure gas can Kill** instantly. One breath of Hydrogen Sulphide can Kill.

FRONT VIEW OF OPEN REEL

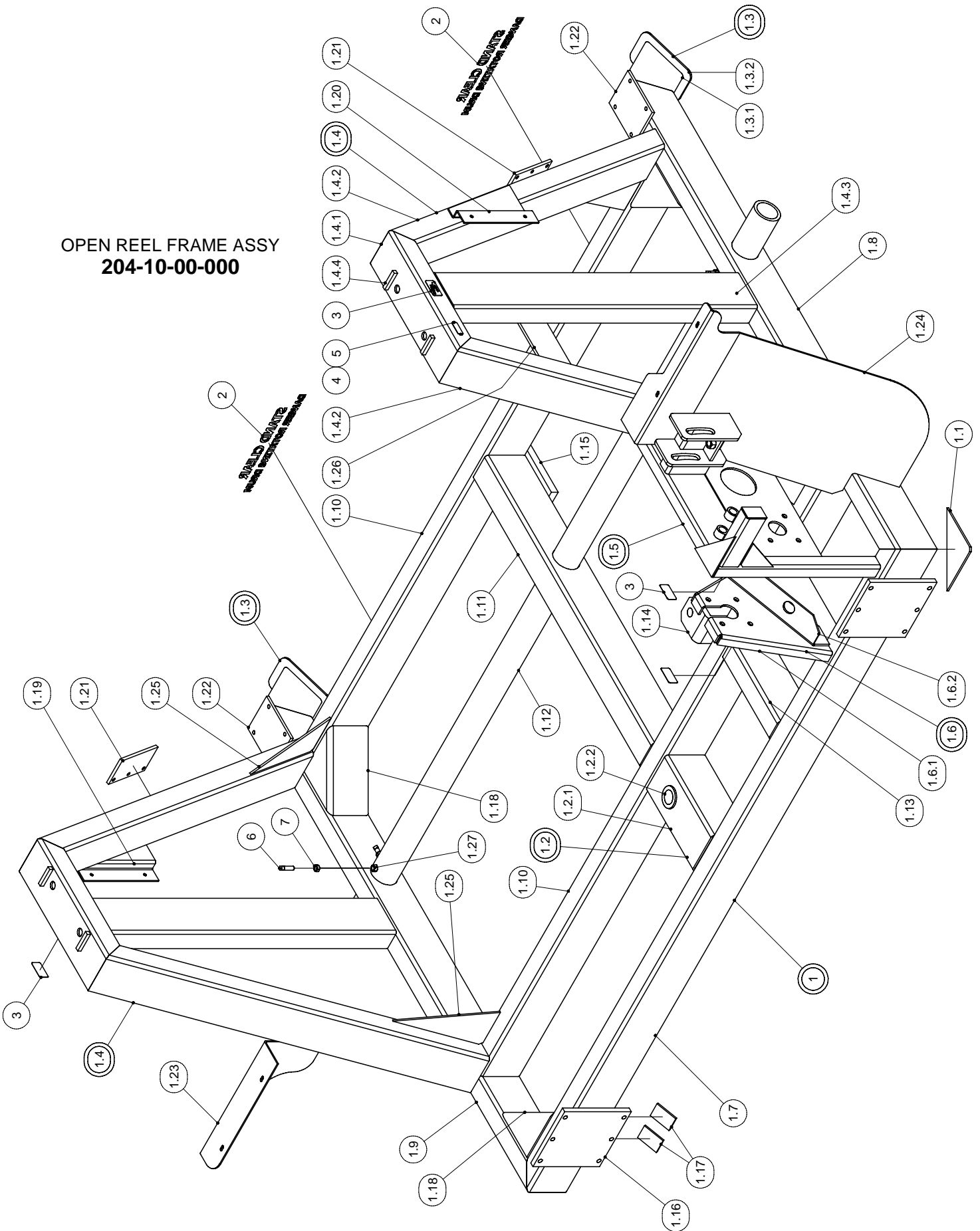


REAR VIEW OF OPEN REEL



OPEN REEL FRAME ASSY

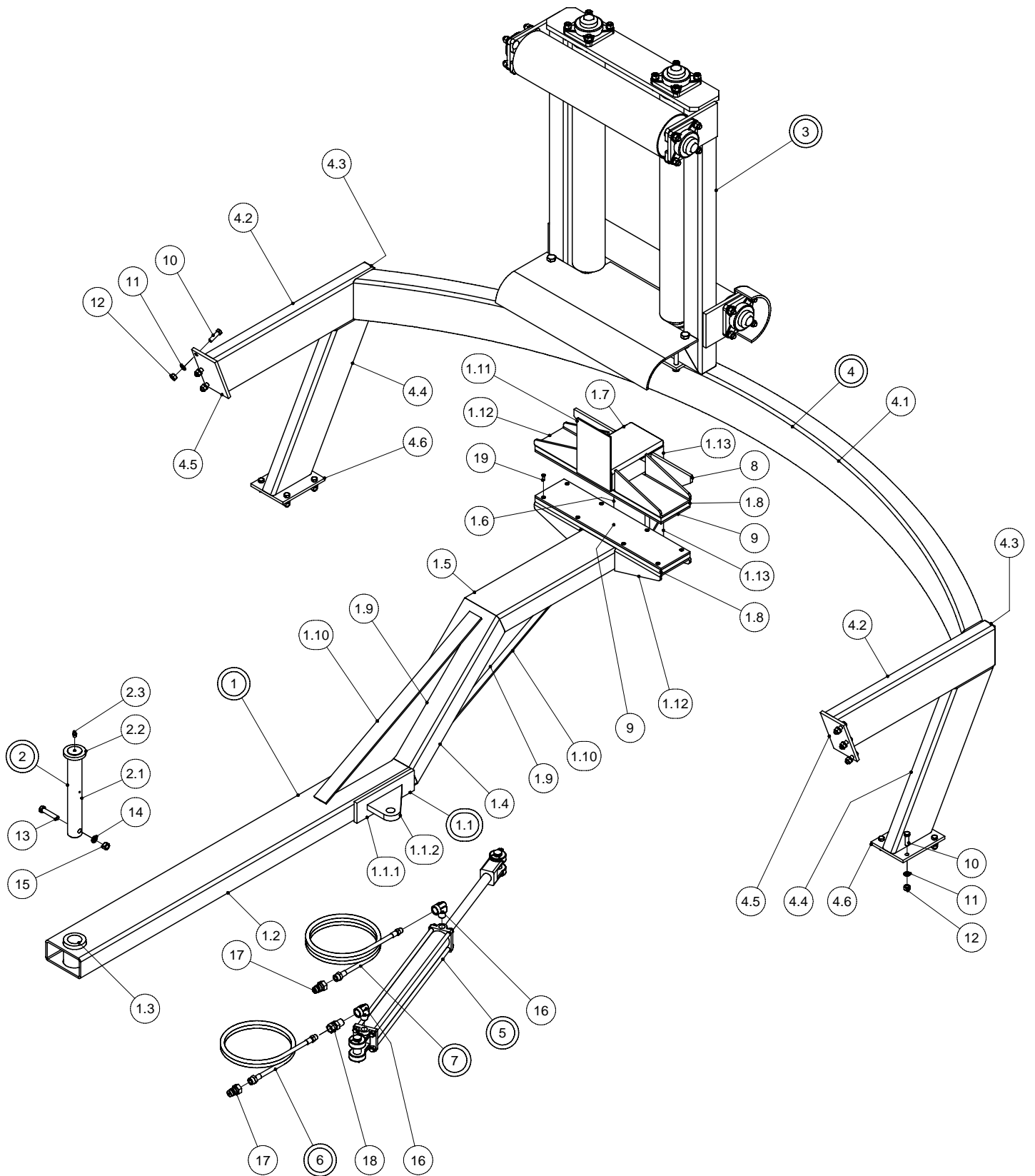
OPEN REEL FRAME ASSY
204-10-00-000



OPEN REEL FRAME ASSY

| PARTS LIST | | | |
|------------|---------------|--------------------------------|-----|
| ITEM | PART NUMBER | DESCRIPTION | QTY |
| 1 | 204-10-00-000 | HD FRAME ASSY-2005 | 1 |
| 1.1 | 200-24-00-215 | FRAME GUSSET | 1 |
| 1.2 | 204-01-09-000 | SPACER TUBE W/SLEEVE ASSY | 1 |
| 1.2.1 | 204-01-00-007 | CENTER SPACER TUBE | 1 |
| 1.2.2 | 200-03-00-018 | PIVOT SLEEVE | 1 |
| 1.3 | 204-10-01-000 | FOOT ASSY | 2 |
| 1.3.1 | 204-10-01-084 | FRAME ANGLE PC | 1 |
| 1.3.2 | 204-10-01-085 | FOOT | 1 |
| 1.4 | 204-10-05-000 | FRAME SIDE ASSY | 2 |
| 1.4.1 | 204-10-05-120 | TOP TUBE-2 1/2" PB BRG | 1 |
| 1.4.2 | 204-10-00-081 | ANGLE TUBE | 2 |
| 1.4.3 | 204-10-00-083 | VERTICAL SUPPORT TUBE | 1 |
| 1.4.4 | 204-10-05-119 | BRG STOP BLOCK | 2 |
| 1.5 | 200-39-11-000 | SIDE DRIVE FRAME ASSY | 1 |
| 1.6 | 200-39-10-000 | FLANGE BEARING HOLDER ASSY | 1 |
| 1.6.1 | 200-39-10-287 | FLANGE BRG MOUNT PLATE | 1 |
| 1.6.2 | 200-39-02-234 | BRAKE BASE PLATE | 1 |
| 1.7 | 204-10-00-077 | FRAME FRONT | 1 |
| 1.8 | 204-10-00-075 | LH FRAME SIDE | 1 |
| 1.9 | 204-10-00-076 | RH FRAME SIDE | 1 |
| 1.10 | 204-10-00-078 | FRAME CROSS BEAM | 2 |
| 1.11 | 204-10-00-080 | CENTER BEAM | 1 |
| 1.12 | 204-10-00-079 | AXLE TUBE | 1 |
| 1.13 | 204-01-00-038 | SUPPORT TUBE | 1 |
| 1.14 | 204-01-00-006 | CYLINDER LUG | 1 |
| 1.15 | 204-01-00-005 | REAR HITCH PLATE | 1 |
| 1.16 | 204-01-00-001 | TONGUE BOLT PLATE | 2 |
| 1.17 | 204-10-00-115 | BOLT PLATE GUSSET | 4 |
| 1.18 | 204-10-00-131 | CORNER GUSSET | 3 |
| 1.19 | 204-10-00-087 | TOOL BOX BRKT-UPPER RH | 1 |
| 1.20 | 204-10-00-086 | TOOL BOX BRKT-UPPER LH | 1 |
| 1.21 | 204-10-00-090 | UPPER CONNECTOR BRKT | 2 |
| 1.22 | 204-10-00-091 | LOWER CONNECTOR PLATE | 2 |
| 1.23 | 204-10-00-089 | TOOL BOX BRKT-LOWER RH | 1 |
| 1.24 | 204-10-00-088 | TOOL BOX BRKT-LOWER LH | 1 |
| 1.25 | 200-41-00-283 | VERTICAL CORNER GUSSET | 4 |
| 1.26 | 204-10-00-126 | IDLER MOUNT PLATE | 1 |
| 1.27 | R07785 | 1/2-13 UNC HEX NUT | 4 |
| 2 | R09654 | "STAND CLEAR" DECAL | 2 |
| 3 | R09582 | GREASE SYMBOL DECAL | 4 |
| 4 | R09071 | SERIAL NUMBER PLATE | 1 |
| 5 | R08152 | 6 x 1/4 PAN HD SOCKET SCREW | 2 |
| 6 | R07923 | 1/2 x 1 1/2 UNC SQ HD SETSCREW | 4 |
| 7 | R08046 | 1/2-13 UNC JAM NUT | 4 |

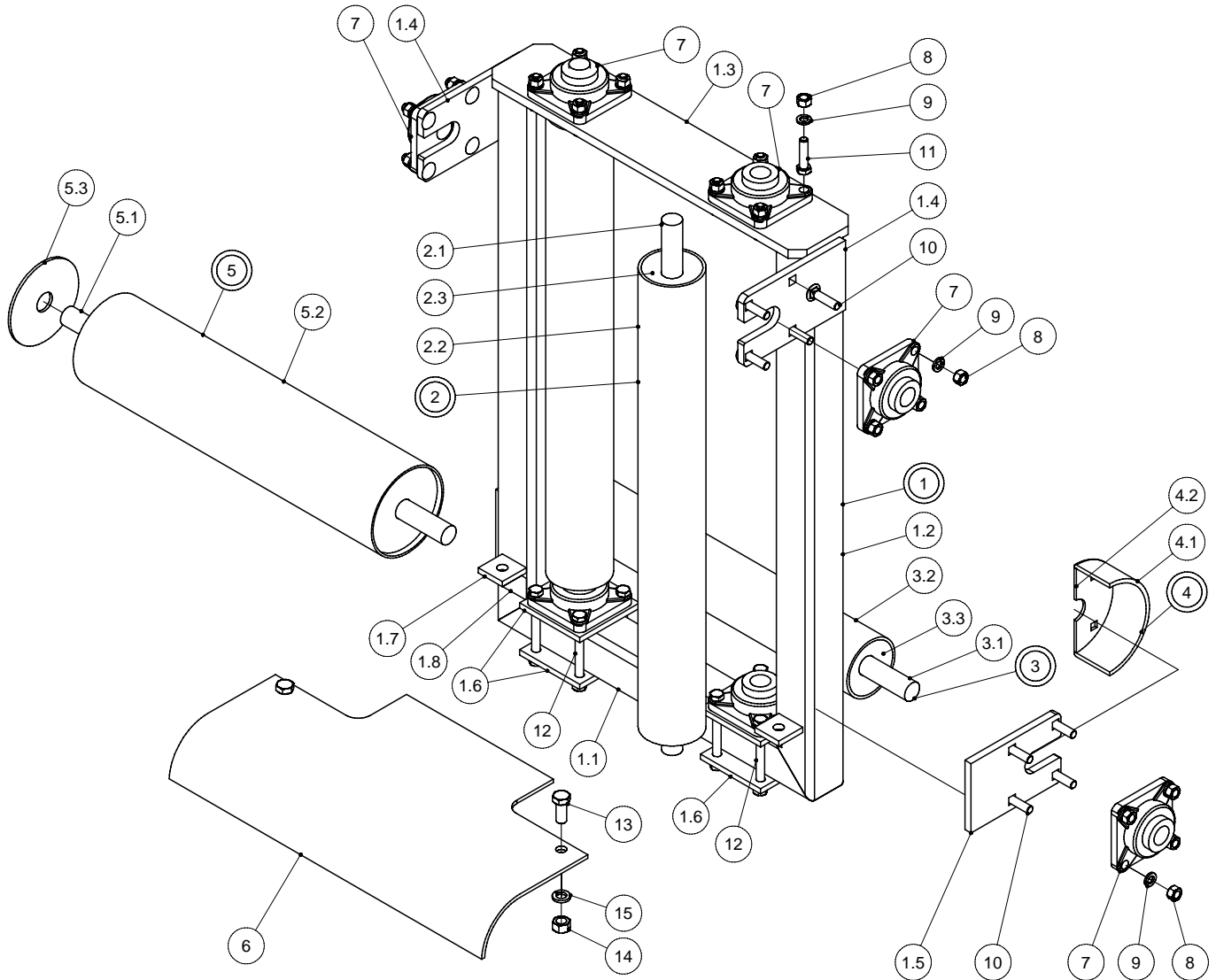
REEL SWING BOOM



REEL SWING BOOM

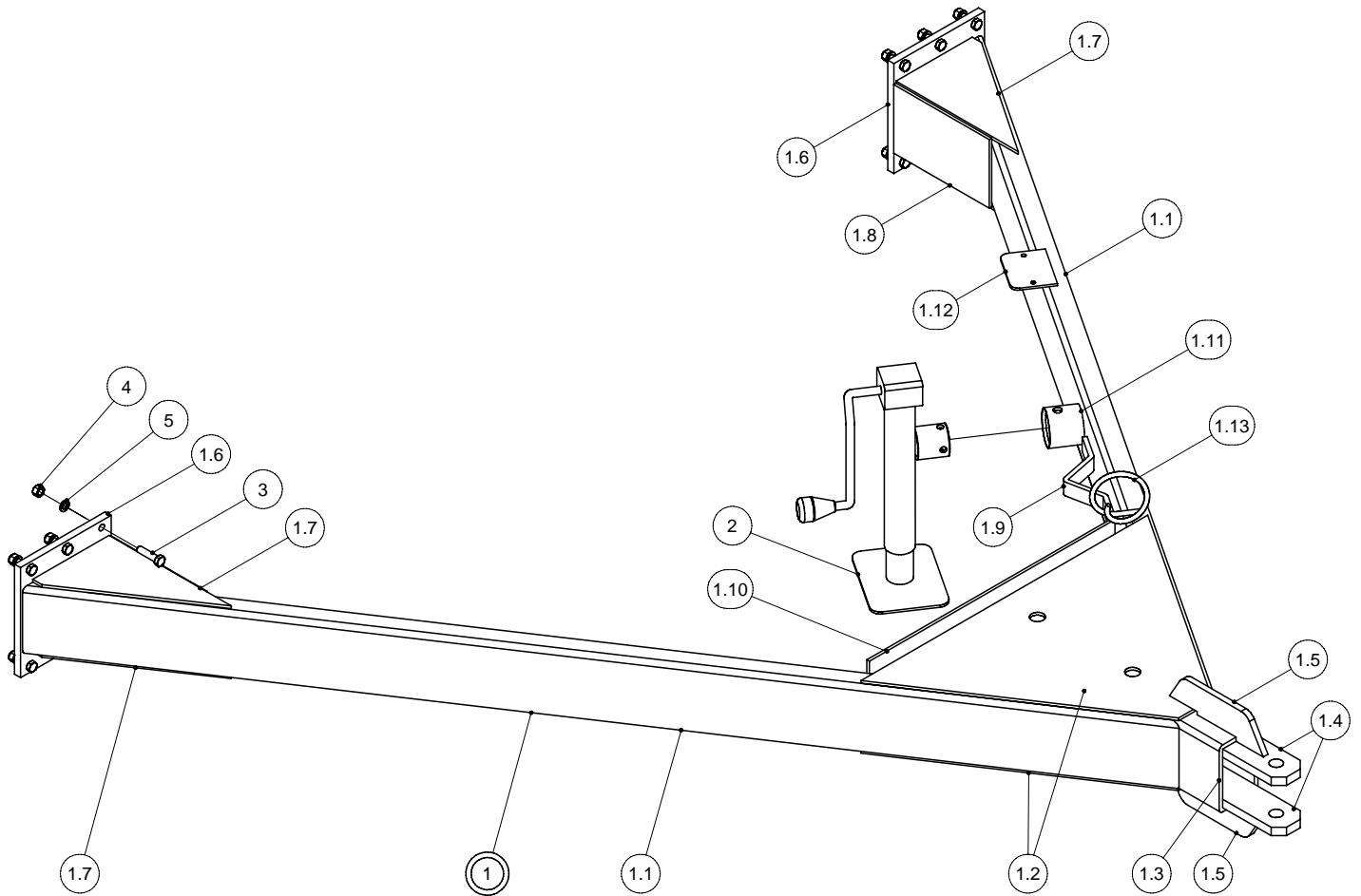
| PARTS LIST | | | |
|------------|---------------|-------------------------------------|-----|
| ITEM | PART NUMBER | DESCRIPTION | QTY |
| 1 | 204-03-01-000 | SWING ARM ASSY | 1 |
| 1.1 | 204-03-02-000 | CYLINDER LUG ASSY | 1 |
| 1.1.1 | 204-03-02-025 | LUG BACK PLATE | 1 |
| 1.1.2 | 368-54-00-295 | CYLINDER BRKT | 1 |
| 1.2 | 204-03-01-014 | MAIN PIVOT ARM | 1 |
| 1.3 | 204-03-01-017 | PIVOT TUBE SLEEVE | 1 |
| 1.4 | 204-03-01-015 | ANGLE TUBE | 1 |
| 1.5 | 204-03-01-016 | HORIZONTAL TUBE | 1 |
| 1.6 | 204-03-01-018 | VERTICAL TUBE | 1 |
| 1.7 | 204-03-01-019 | TOP TUBE | 1 |
| 1.8 | 204-03-01-020 | SUPPORT PLATE | 2 |
| 1.9 | 204-03-01-023 | LARGE GUSSET | 2 |
| 1.10 | 204-03-01-024 | BAR | 2 |
| 1.11 | 204-03-01-022 | TUBE CAP | 1 |
| 1.12 | 204-03-01-130 | REINFORCING GUSSET PLATE | 2 |
| 1.13 | 204-03-01-112 | CORNER GUSSET | 4 |
| 2 | 204-04-00-000 | HINGE PIN ASSY | 1 |
| 2.1 | 204-04-00-037 | HINGE PIN | 1 |
| 2.2 | 200-09-00-043 | TONGUE PIN WASHER | 1 |
| 2.3 | R08186 | 1/8" NPT GREASE FTG | 1 |
| 3 | 204-03-07-000 | HOSE ROLLER ASSY COMPLETE | 1 |
| 4 | 204-11-00-000 | SUPPORT FRAME-2002 | 1 |
| 4.1 | 204-11-00-099 | RADIUS TUBE | 1 |
| 4.2 | 204-11-00-100 | HORIZONTAL BRACE | 2 |
| 4.3 | 204-02-00-013 | CAP | 2 |
| 4.4 | 204-11-00-101 | LEG | 2 |
| 4.5 | 204-10-00-090 | UPPER CONNECTOR BRKT | 2 |
| 4.6 | 204-10-00-091 | LOWER CONNECTOR PLATE | 2 |
| 5 | R20732 | 2 x 20 HYDRAULIC CYLINDER | 1 |
| 6 | 204-17-00-000 | 1/4" HYDRAULIC HOSE ASSY - BOOM CYL | 1 |
| 7 | 204-18-00-000 | 1/4" HYDRAULIC HOSE ASSY - BOOM CYL | 1 |
| 8 | 204-03-01-021 | SUPPORT PLATE GUSSET | 2 |
| 9 | 204-03-00-036 | UHMW WEAR PLATE | 2 |
| 10 | R07629 | 7/16 x 1 1/2 UNC HEX BOLT | 14 |
| 11 | R07804 | 7/16" LOCK WASHER | 14 |
| 12 | R07784 | 7/16-14 UNC HEX NUT | 14 |
| 13 | R07640 | 1/2 x 2 1/2 UNC HEX BOLT | 1 |
| 14 | R07805 | 1/2" LOCK WASHER | 1 |
| 15 | R07785 | 1/2-13 UNC HEX NUT | 1 |
| 16 | R21367 | 1/2 X 90 HYD ELBOW | 2 |
| 17 | R21342 | 1/2" MALE PIONEER TIP | 2 |
| 18 | R22166 | 1/2" NPT RESTRICTOR | 1 |
| 19 | R08373 | 1/4-20 x 3/4" FLAT HD MACH. SCREW | 16 |

HOSE ROLLER COMPLETE



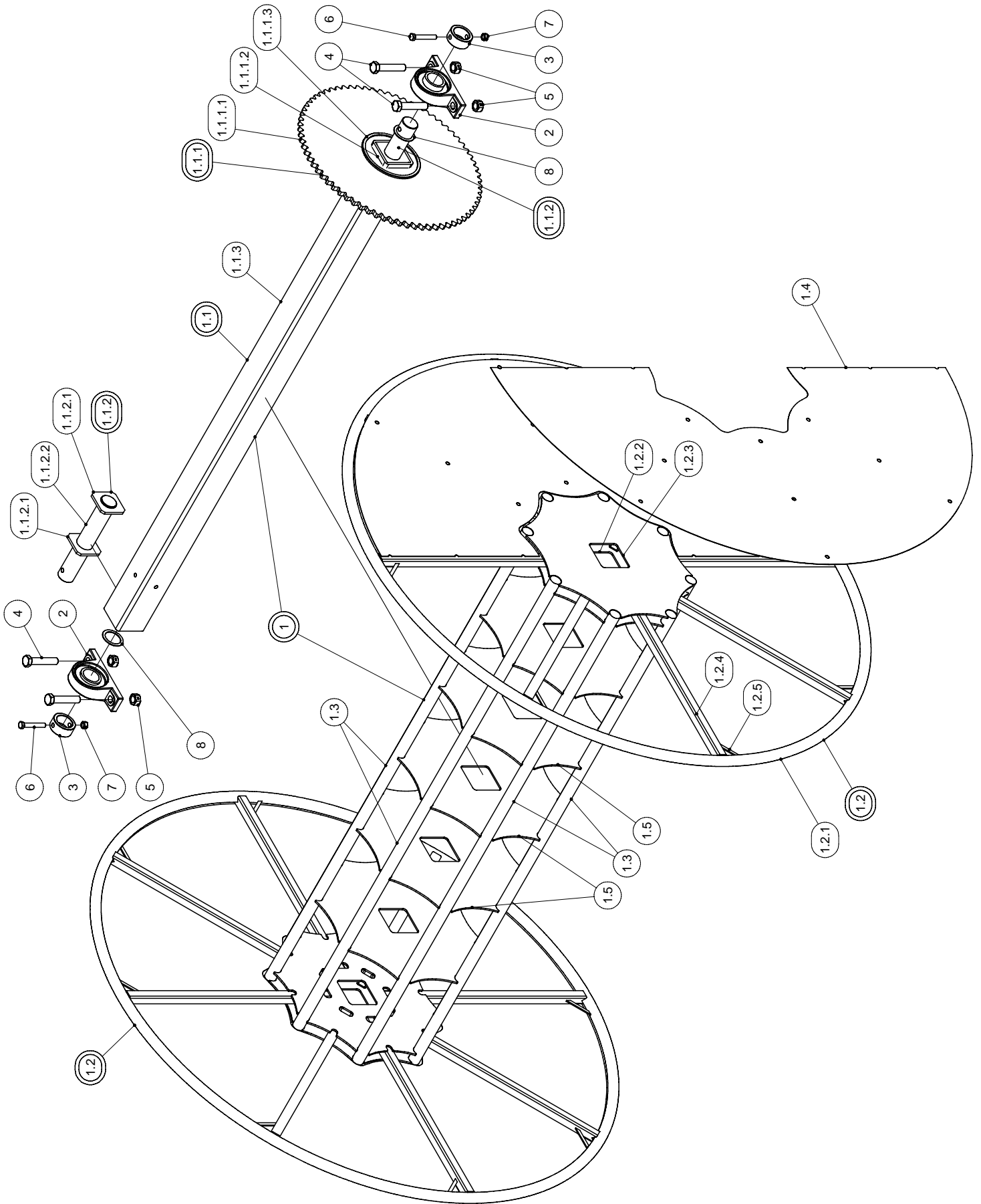
| PARTS LIST | | | | PARTS LIST | | | |
|------------|---------------|------------------------|-----|------------|---------------|---------------------------|-----|
| ITEM | PART NUMBER | DESCRIPTION | QTY | ITEM | PART NUMBER | DESCRIPTION | QTY |
| 1 | 204-03-04-000 | ROLLER FRAME ASSY | 1 | 4 | 204-03-11-000 | BEARING COVER ASSY | 2 |
| 1.1 | 204-03-04-029 | LOWER TUBE | 1 | 4.1 | 204-03-11-108 | BEARING GUARD | 1 |
| 1.2 | 204-03-04-026 | SIDE TUBE | 2 | 4.2 | 204-03-11-109 | BRG GUARD BOLT PLATE | 1 |
| 1.3 | 204-03-04-028 | TOP PLATE | 1 | 5 | 204-03-10-000 | 6" UPPER HOR. ROLLER ASSY | 1 |
| 1.4 | 204-03-04-106 | UPPER BEARING HOLDER | 2 | 5.1 | 204-03-09-096 | SHORT ROLLER SHAFT | 1 |
| 1.5 | 204-03-04-027 | BEARING HOLDER | 2 | 5.2 | 204-03-10-104 | 6" UPPER ROLLER | 1 |
| 1.6 | 204-03-04-030 | BEARING SUPPORT | 4 | 5.3 | 204-03-10-105 | 6" ROLLER CAP | 2 |
| 1.7 | 204-03-04-110 | HOSE GUIDE BRKT | 2 | 6 | 204-03-00-107 | HOSE GUIDE | 1 |
| 1.8 | 204-03-04-111 | GUSSET | 2 | 7 | R20184 | 1 1/4" FLANGE BEARING | 8 |
| 2 | 204-03-08-000 | VERTICAL ROLLER ASSY | 2 | 8 | R07785 | 1/2-13 UNC HEX NUT | 32 |
| 2.1 | 204-03-08-098 | LONG ROLLER SHAFT | 1 | 9 | R07805 | 1/2" LOCK WASHER | 32 |
| 2.2 | 204-03-08-097 | LONG ROLLER | 1 | 10 | R07744 | 1/2 x 2 UNC CARRIAGE BOLT | 16 |
| 2.3 | 204-03-05-033 | ROLLER CAPS | 2 | 11 | R07639 | 1/2 x 2 UNC HEX BOLT | 8 |
| 3 | 204-03-09-000 | HORIZONTAL ROLLER ASSY | 1 | 12 | R07644 | 1/2 x 5 UNC HEX BOLT | 8 |
| 3.1 | 204-03-09-096 | SHORT ROLLER SHAFT | 1 | 13 | R07646 | 5/8 x 1 1/2 UNC HEX BOLT | 2 |
| 3.2 | 204-03-09-095 | SHORT ROLLER | 1 | 14 | R07786 | 5/8-11 UNC HEX NUT | 2 |
| 3.3 | 204-03-05-033 | ROLLER CAPS | 2 | 15 | R07806 | 5/8" LOCK WASHER | 2 |

BOLT ON TONGUE



| PARTS LIST | | | |
|------------|---------------|----------------------------|-----|
| ITEM | PART NUMBER | DESCRIPTION | QTY |
| 1 | 204-05-00-000 | BOLT ON TONGUE ASSY | 1 |
| 1.1 | 204-05-00-047 | TONGUE ANGLE TUBE | 2 |
| 1.2 | 204-05-00-049 | TONGUE GUSSET | 2 |
| 1.3 | 204-05-00-048 | TONGUE TUBE | 1 |
| 1.4 | 200-03-00-019 | HITCH TOP PC | 2 |
| 1.5 | 204-05-00-116 | HITCH REINFORCING PLATE | 2 |
| 1.6 | 204-01-00-001 | TONGUE BOLT PLATE | 2 |
| 1.7 | 204-05-00-051 | CORNER GUSSET | 4 |
| 1.8 | 204-05-00-052 | CORNER GUSSET FILLER | 2 |
| 1.9 | 204-05-00-072 | TONGUE LIFT HOOK | 2 |
| 1.10 | 204-05-00-050 | FILLER PLATE | 1 |
| 1.11 | 364-35-00-245 | TONGUE JACK BRKT | 1 |
| 1.12 | 204-05-00-073 | RELIEF VALVE CONTROL PLATE | 1 |
| 1.13 | 296-25-00-090 | HYD HOSE HOLDER | 1 |
| 2 | R09751 | 7000LB SIDE WIND JACK | 1 |
| 3 | R07639 | 1/2 x 2 UNC HEX BOLT | 12 |
| 4 | R07785 | 1/2-13 UNC HEX NUT | 12 |
| 5 | R07805 | 1/2" LOCK WASHER | 12 |

OPEN CENTER REEL ASSY



OPEN CENTER REEL ASSY

| PARTS LIST | | | |
|------------|---------------|--------------------------------------|-----|
| ITEM | PART NUMBER | DESCRIPTION | QTY |
| 1 | 204-13-00-000 | OPEN CENTER REEL ASSY (2 1/2" STUBS) | 1 |
| 1.1 | 204-13-01-000 | CROSS TUBE ASSY-2 1/2" STUBS | 1 |
| 1.1.1 | 204-06-02-000 | HUB AND SPROCKET ASSY | 1 |
| 1.1.1.1 | R20924 | 100A-72 T SPROCKET | 1 |
| 1.1.1.2 | 200-25-01-153 | LARGE TUBE DISC | 2 |
| 1.1.1.3 | 204-06-02-054 | SPROCKET HUB | 1 |
| 1.1.2 | 204-13-02-000 | 2 1/2" STUB SHAFT ASSY | 2 |
| 1.1.2.1 | 204-13-02-118 | STUB SHAFT PLATE | 2 |
| 1.1.2.2 | 204-13-02-117 | 2 1/2" STUB SHAFT | 1 |
| 1.1.3 | 204-13-01-121 | CROSS TUBE | 1 |
| 1.2 | 200-34-01-000 | REEL ASSY | 2 |
| 1.2.1 | 200-06-00-035 | INNER REEL | 1 |
| 1.2.2 | 200-34-01-197 | REEL INNER PLATE | 1 |
| 1.2.3 | 200-34-01-196 | REEL OUTER PLATE | 1 |
| 1.2.4 | 200-34-01-198 | INNER SPOKE | 8 |
| 1.2.5 | 200-05-00-031 | STRAP HOOK | 8 |
| 1.3 | 204-06-00-053 | CROSS SHAFT | 8 |
| 1.4 | 200-34-00-200 | OUTER REEL SHIELD | 4 |
| 1.5 | 200-34-01-196 | REEL OUTER PLATE | 5 |
| 2 | R20469 | 2 1/2" PILLOW BLOCK BEARING | 2 |
| 3 | 204-00-00-122 | SHAFT COLLAR | 2 |
| 4 | R07666 | 1 x 5 UNC HEX BOLT | 4 |
| 5 | R07882 | 1-8 UNC 2-WAY LOCK NUT | 4 |
| 6 | R07651 | 5/8 x 4 UNC HEX BOLT | 2 |
| 7 | R07887 | 5/8 HEX NUT | 2 |
| 8 | 204-00-00-127 | DRUM SHIM | 2 |

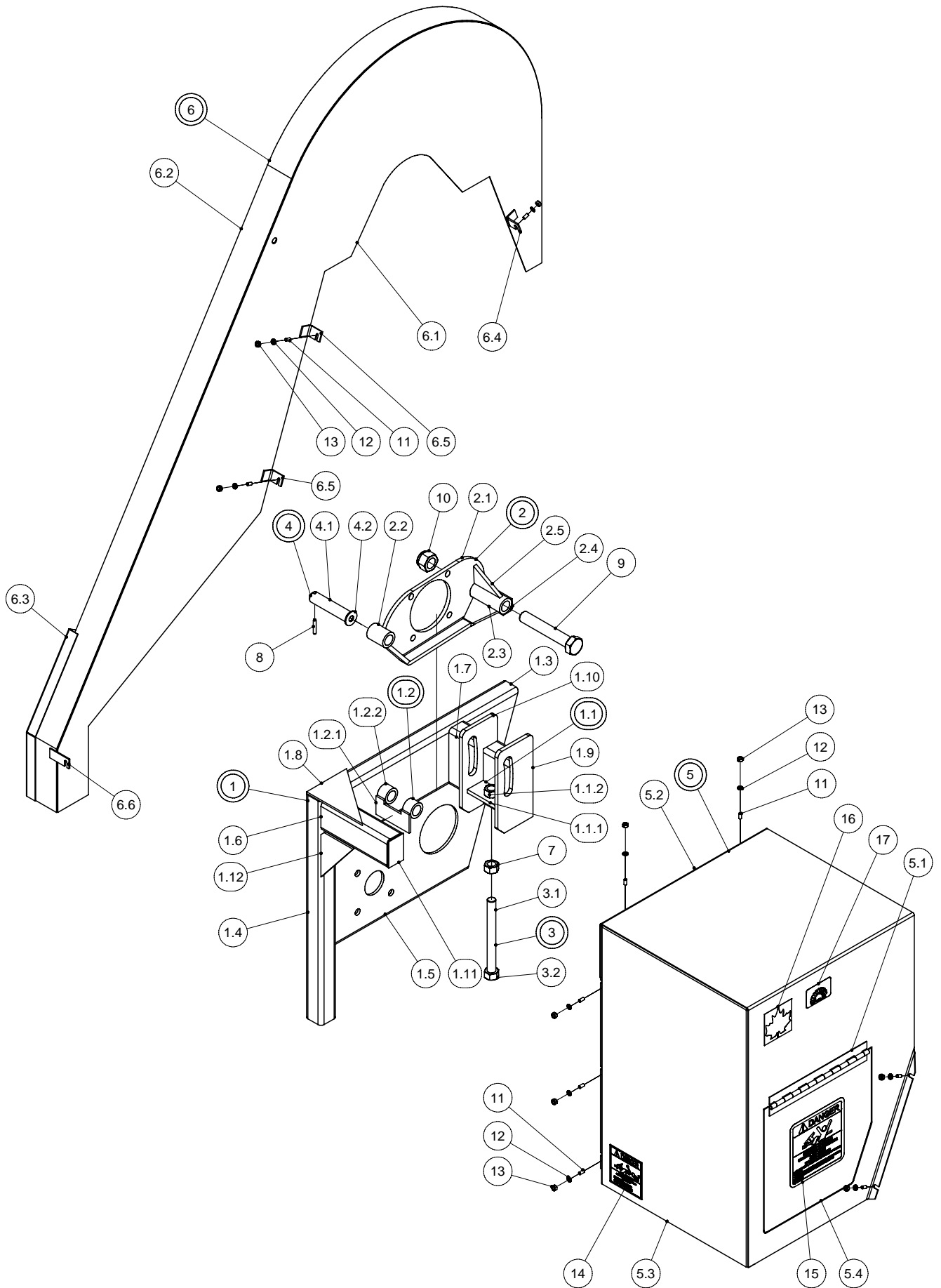
SIDE DRIVE KIT



SIDE DRIVE KIT

| PARTS LIST | | | |
|------------|---------------|--------------------------------|-----|
| ITEM | PART NUMBER | DESCRIPTION | QTY |
| 1 | 200-12-00-000 | BRAKE KIT | 1 |
| 2 | 200-32-00-000 | BRAKE DISC AND HUB ASSY | 1 |
| 2.1 | 200-32-00-178 | BRAKE DISC | 1 |
| 2.2 | 200-32-00-179 | BRAKE DISC HUB | 1 |
| 3 | 200-30-00-000 | DRIVE PLATE ASSY | 1 |
| 4 | 200-31-00-000 | DRIVE SPROCKET ASSY | 1 |
| 6 | 204-01-08-000 | 3/4" HYD HOSE ASSY | 2 |
| 7 | 200-39-06-000 | 3/4" HYD HOSE ASSY | 2 |
| 8 | 200-11-00-000 | CHAIN TIGHTENER KIT | 1 |
| 9 | R22267 | 6000 SERIES HYD MOTOR | 1 |
| 10 | R07639 | 1/2 x 2 UNC HEX BOLT | 4 |
| 11 | R07785 | 1/2-13 UNC HEX NUT | 4 |
| 12 | R07805 | 1/2" LOCK WASHER | 5 |
| 13 | R20655 | 80 B16 SPROCKET | 1 |
| 14 | R20928 | 100 B24 SPROCKET W/1 3/4" BORE | 1 |
| 15 | 200-39-00-245 | SPROCKET SHAFT | 1 |
| 16 | R20188 | 1 3/4" FLANGE BRG | 2 |
| 17 | 200-00-00-195 | CLUTCH WASHER | 1 |
| 18 | R07674 | 1/2 x 1 1/4 UNC HEX BOLT | 1 |
| 19 | R07647 | 5/8 x 2 UNC HEX BOLT | 8 |
| 20 | R07786 | 5/8-11 UNC HEX NUT | 8 |
| 21 | R07806 | 5/8" LOCK WASHER | 8 |
| 22 | 200-00-00-217 | 3/8" KEY-225 LONG | 1 |
| 23 | R07909 | 3/8 x 3/8 SET SCREW | 6 |
| 24 | 200-00-00-190 | #80 ROLLER DRIVE CHAIN | 1 |
| 25 | 200-00-00-191 | #100 MAIN DRIVE CHAIN | 1 |
| 26 | R21249 | DUAL RELIEF VALVE - REEL | 1 |
| 27 | R07782 | 5/16-18 UNC HEX NUT | 2 |
| 28 | R07802 | 5/16" LOCK WASHER | 2 |
| 29 | R07684 | 5/16 x 2 1/4 UNC HEX BOLT | 2 |
| 30 | R08302 | 3/8-16 UNC x 1 5/8" WELD STUD | 5 |
| 31 | R07794 | 3/8-16 UNC FLANGE NUT | 5 |
| 32 | 351-00-00-009 | HYD. HOSE FASTENER | 5 |
| 33 | 200-00-00-218 | 3/8" KEY - 52 LONG | 1 |

SIDE FRAME, MOTOR MOUNT & GUARD

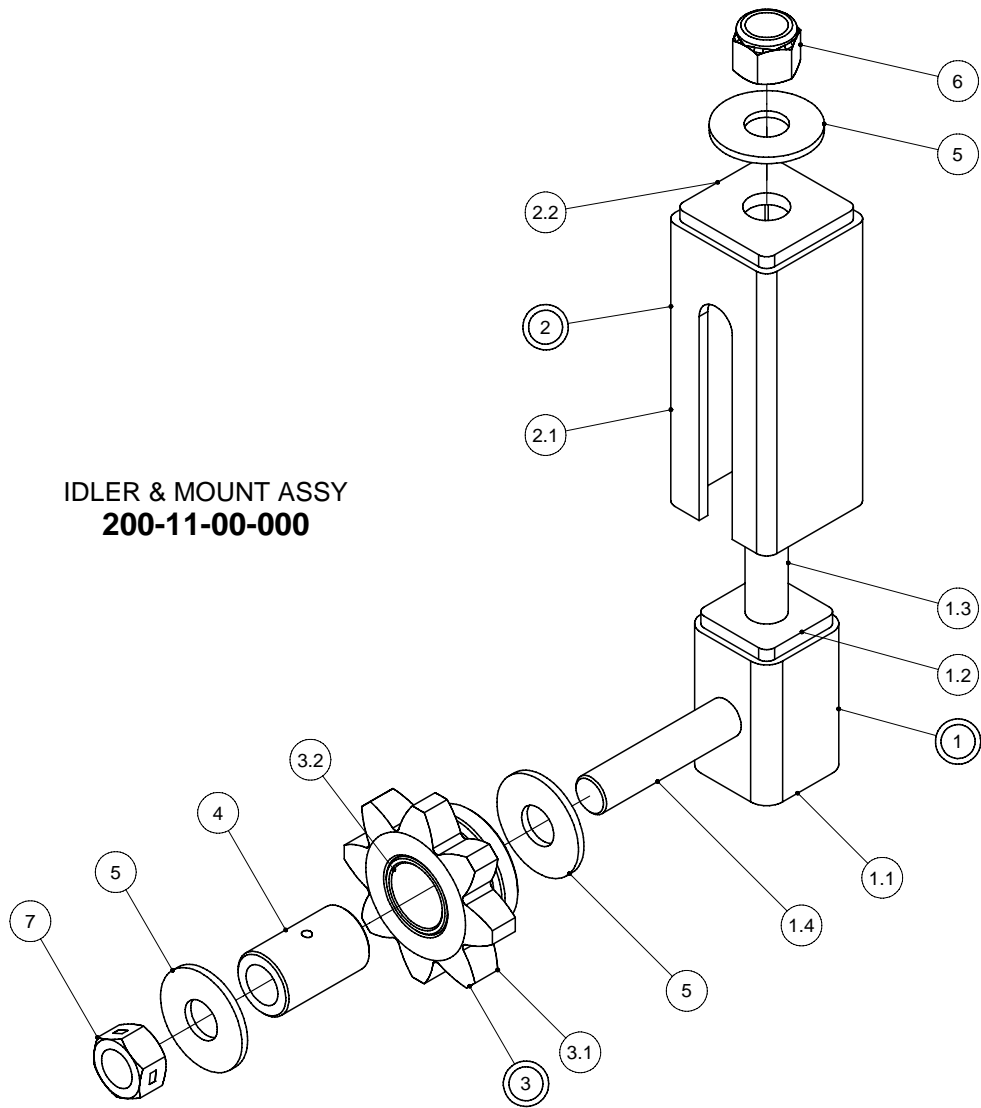


SIDE FRAME, MOTOR MOUNT & GUARD

| PARTS LIST | | | |
|------------|---------------|-----------------------------------|-----|
| ITEM | PART NUMBER | DESCRIPTION | QTY |
| 1 | 200-39-11-000 | SIDE DRIVE FRAME ASSY | 1 |
| 1.1 | 200-22-12-000 | TIGHTENER BRKT ASSY | 1 |
| 1.1.1 | 200-22-12-219 | TIGHTENER BRKT | 1 |
| 1.1.2 | R07787 | 3/4-10 UNC HEX NUT | 1 |
| 1.2 | 200-22-02-000 | BUSHING HOLDER ASSY | 1 |
| 1.2.1 | 200-22-02-102 | BUSHING HOLDER PLATE | 1 |
| 1.2.2 | 200-22-02-101 | HOLDER BUSHING | 2 |
| 1.3 | 200-39-07-273 | HORIZONTAL TUBE | 1 |
| 1.4 | 200-39-01-222 | VERTICAL POST | 1 |
| 1.5 | 200-39-11-290 | FLANGE BEARING PLATE | 1 |
| 1.6 | 200-39-01-227 | FRONT STUB TUBE | 1 |
| 1.7 | 200-39-01-225 | STUB TUBE | 1 |
| 1.8 | 200-39-01-229 | TOP GUSSET | 1 |
| 1.9 | 200-39-01-226 | CAP BRKT | 1 |
| 1.10 | 200-22-00-209 | TIGHTENER BRKT | 1 |
| 1.11 | 200-39-01-228 | END CAP | 1 |
| 1.12 | 200-39-01-230 | FRONT GUSSET | 1 |
| 2 | 204-01-10-000 | HYD MOTOR MOUNT ASSY-6000 SERIES | 1 |
| 2.1 | 204-00-00-071 | HYD MOTOR MOUNT-6000 SERIES MOTOR | 1 |
| 2.2 | 200-22-03-104 | MOUNT PLATE SLEEVE | 1 |
| 2.3 | 200-22-11-211 | MOTOR MOUNT LONG SLEEVE | 1 |
| 2.4 | 200-22-11-238 | ANGLE SEAT | 1 |
| 2.5 | 200-22-11-212 | SLEEVE GUSSET | 1 |
| 3 | 200-22-08-000 | TIGHTENER ROD ASSY | 1 |
| 3.1 | 200-22-08-129 | TIGHTENER ROD | 1 |
| 3.2 | R07787 | 3/4-10 UNC HEX NUT | 1 |
| 4 | 200-22-09-000 | HINGE PIN ASSY | 1 |
| 4.1 | 200-22-09-130 | HINGE PIN | 1 |
| 4.2 | R07825 | 1/2 FLAT WASHER | 1 |
| 5 | 204-14-00-000 | SIDE GUARD-6000 SERIES MOTOR | 1 |
| 5.1 | 200-10-00-049 | HINGE | 1 |
| 5.2 | 204-14-00-124 | SIDE GUARD | 1 |
| 5.3 | 204-14-00-123 | SIDE GUARD END PC | 1 |
| 5.4 | 200-39-05-256 | SIDE GUARD DOOR | 1 |
| 6 | 200-39-08-000 | LARGE OUTER GUARD ASSY-2002 | 1 |
| 6.1 | 200-39-08-274 | LARGE GUARD OUTER PC | 1 |
| 6.2 | 200-39-08-275 | LARGE GUARD BAND | 1 |
| 6.3 | 200-39-08-276 | GUARD SIDE PC | 1 |
| 6.4 | 200-39-09-281 | RH CLIP | 1 |
| 6.5 | 200-39-03-250 | LH CLIP | 2 |
| 6.6 | 200-39-03-251 | STRAIGHT CLIP | 1 |
| 7 | R07787 | 3/4-10 UNC HEX NUT | 1 |
| 8 | R07962 | 1/4 x 1 1/2 ROLL PIN | 1 |
| 9 | R07667 | 1 x 6 UNC HEX BOLT | 1 |
| 10 | R08246 | 1 UNC NYLOCK NUT | 1 |
| 11 | R08301 | 1/4 x 20 UNC x 1/2" WELD STUD | 10 |
| 12 | R07801 | 1/4" LOCK WASHER | 10 |
| 13 | R07781 | 1/4-20 UNC HEX NUT | 10 |
| 14 | R21521 | "ROTATING DRIVE LINE" DECAL | 1 |
| 15 | R09785 | "DANGER ROTATING DRIVELINE" DECAL | 1 |
| 16 | R09509 | "MADE IN CANADA" DECAL - LARGE | 1 |
| 17 | OFEMA | O.F.E.M.A. DECAL | 1 |

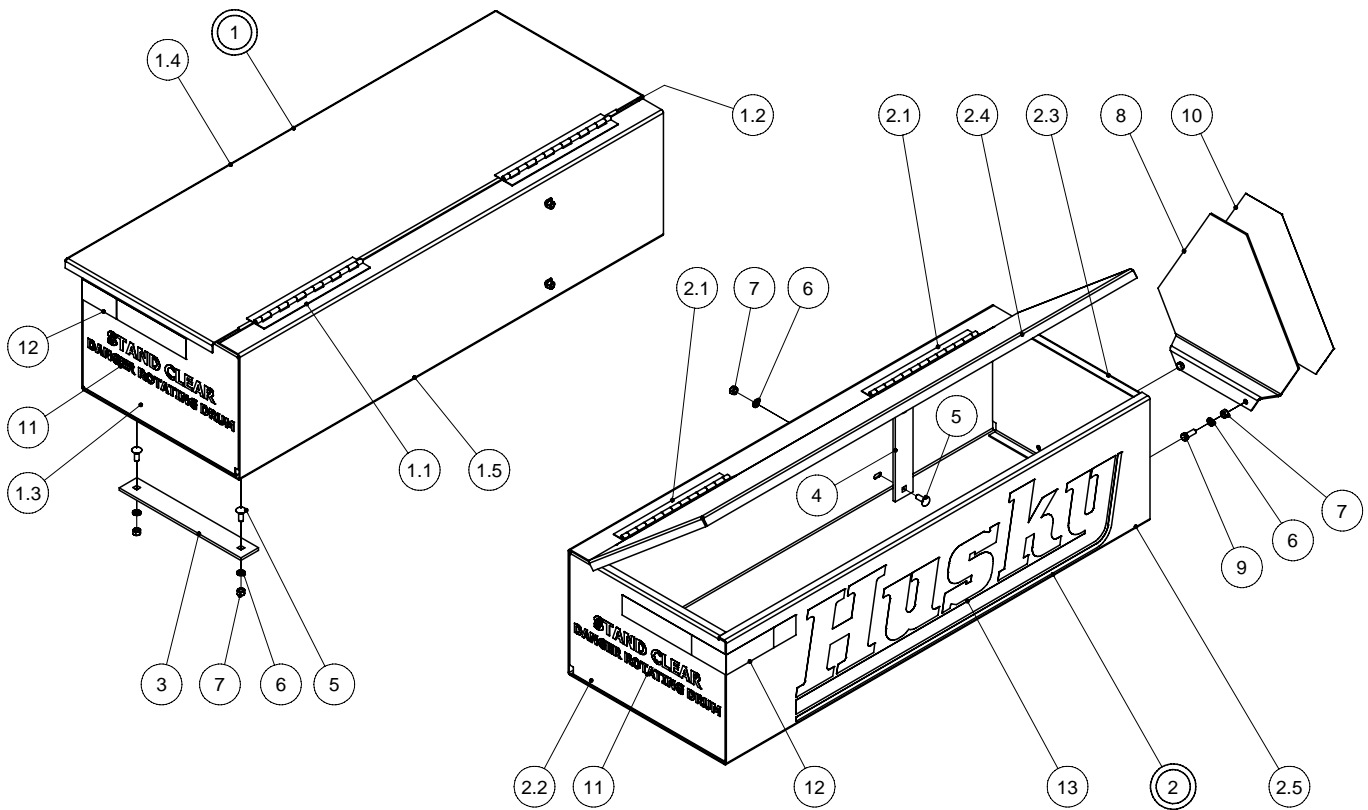
IDLER & MOUNT ASSY

IDLER & MOUNT ASSY 200-11-00-000



| PARTS LIST | | | |
|------------|---------------|---|-----|
| ITEM | PART NUMBER | DESCRIPTION | QTY |
| 1 | 200-11-01-000 | TIGHTENER INNER TUBE ASSY | 1 |
| 1.1 | 200-11-01-054 | INSIDE TUBE | 1 |
| 1.2 | 200-11-01-055 | INNER TUBE CAP | 1 |
| 1.3 | 200-11-01-058 | TIGHTENER ROD | 1 |
| 1.4 | 200-11-01-059 | IDLER STUD | 1 |
| 2 | 200-11-02-000 | TIGHTENER OUTER TUBE ASSY | 1 |
| 2.1 | 200-11-02-056 | OUTER TUBE | 1 |
| 2.2 | 200-11-02-057 | OUTER TUBE CAP | 1 |
| 3 | 200-11-03-000 | IDLER SPROCKET ASSY | 1 |
| 3.1 | 200-11-00-192 | IDLER SPROCKET | 1 |
| 3.2 | R20255 | 1.5 OD X 1.25 ID X 1.5 LONG BRASS BUSHING | 1 |
| 4 | 460-00-00-035 | IDLER SLEEVE | 1 |
| 5 | R07827 | 3/4" FLAT WASHER | 3 |
| 6 | R07878 | 3/4 NYLOCK NUT | 1 |
| 7 | R07881 | 3/4-10 UNC 2-WAY LOCK NUT | 1 |

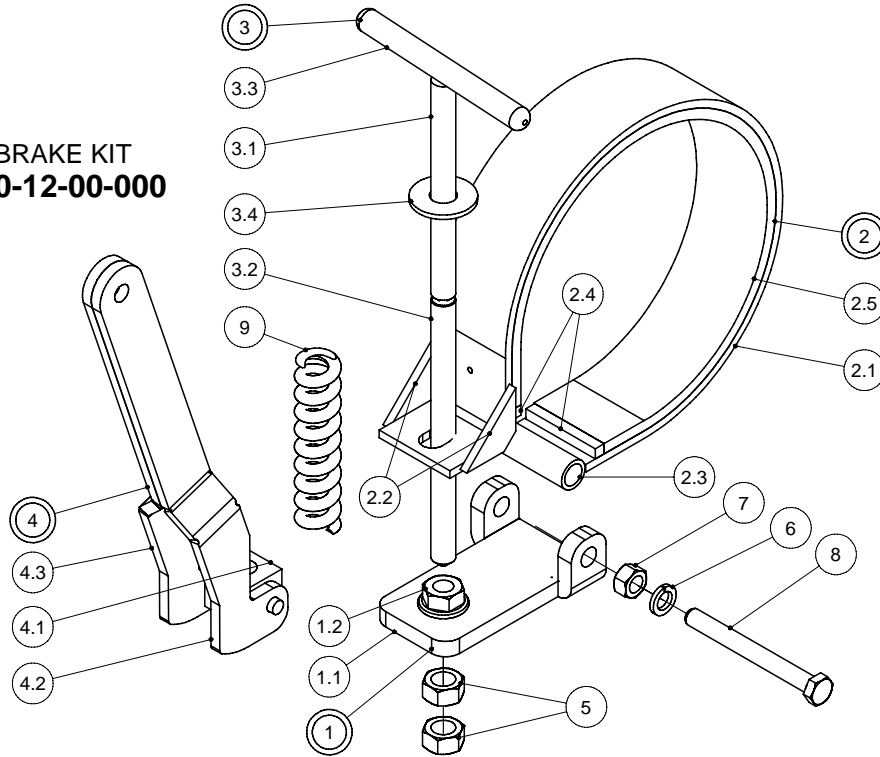
TOOL BOXES



| PARTS LIST | | | |
|------------|---------------|-----------------------------|-----|
| ITEM | PART NUMBER | DESCRIPTION | QTY |
| 1 | 200-10-00-000 | RH TOOL BOX ASSY | 1 |
| 1.1 | 200-10-00-049 | HINGE | 2 |
| 1.2 | 200-10-00-047 | TOOL BOX LH SIDE | 1 |
| 1.3 | 200-10-00-046 | TOOL BOX LH SIDE | 1 |
| 1.4 | 200-10-00-048 | TOOL BOX LID | 1 |
| 1.5 | 200-10-00-045 | RH TOOL BOX BODY | 1 |
| 2 | 200-33-00-000 | LH TOOL BOX ASSY | 1 |
| 2.1 | 200-10-00-049 | HINGE | 2 |
| 2.2 | 200-10-00-047 | TOOL BOX LH SIDE | 1 |
| 2.3 | 200-33-00-188 | TOOL BOX RH SIDE | 1 |
| 2.4 | 200-10-00-048 | TOOL BOX LID | 1 |
| 2.5 | 200-33-00-186 | LH TOOL BOX BODY | 1 |
| 3 | 200-00-00-158 | TOOL BOX REINFORCING BAR | 2 |
| 4 | 200-00-00-244 | VERT. TOOL BOX REIN. BAR | 2 |
| 5 | R07721 | 3/8 x 1 UNC CARRIAGE BOLT | 8 |
| 6 | R07803 | 3/8" LOCK WASHER | 10 |
| 7 | R07783 | 3/8-16 UNC HEX NUT | 10 |
| 8 | 200-00-00-132 | S.M.V. SIGN HOLDER | 1 |
| 9 | R07619 | 3/8 x 1 UNC HEX BOLT | 2 |
| 10 | R09501 | SLOW MOVING VEHICLE DECAL | 1 |
| 11 | R09654 | "STAND CLEAR" DECAL | 2 |
| 12 | R10361 | REFLECTOR TAPE - RED/SILVER | 2 |
| 13 | R10338 | "HUSKY" DECAL - REEL | 2 |

BRAKE KIT

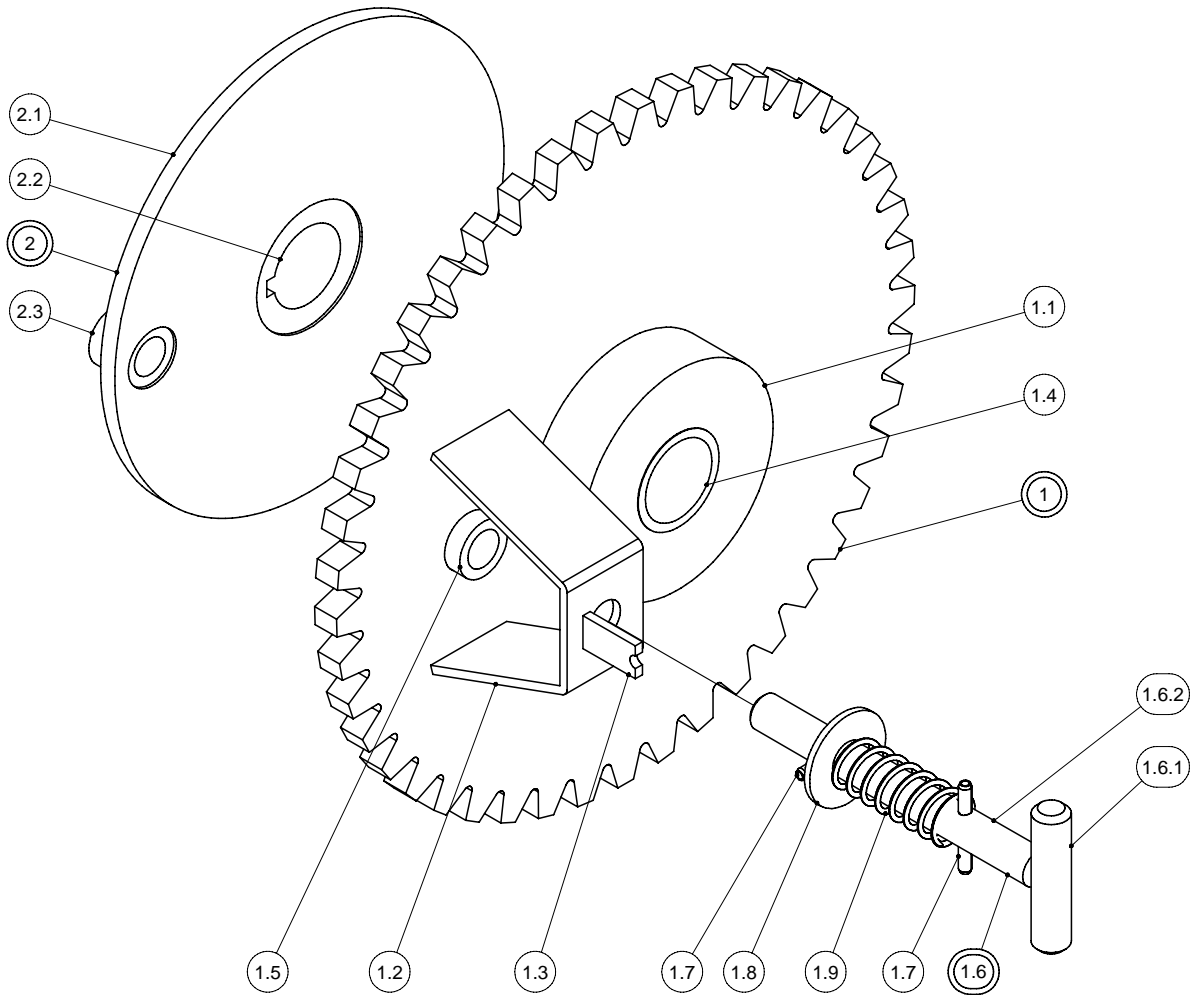
**BRAKE KIT
200-12-00-000**



PARTS LIST

| ITEM | PART NUMBER | DESCRIPTION | QTY |
|------|---------------|---------------------------|-----|
| 1 | 200-12-02-000 | BRAKE MOUNT PLATE ASSY | 1 |
| 1.1 | 200-12-02-074 | MOUNT PLATE | 1 |
| 1.2 | R07795 | 1/2" UNC FLANGE NUT | 1 |
| 2 | 200-12-01-000 | BRAKE BAND ASSY | 1 |
| 2.1 | 200-12-01-069 | BRAKE BAND | 1 |
| 2.2 | 200-12-01-070 | GUSSET | 2 |
| 2.3 | 200-12-01-071 | BAND SLEEVE | 1 |
| 2.4 | 200-12-01-072 | STOP | 2 |
| 2.5 | 200-12-01-073 | BRAKE LINING | 1 |
| 3 | 200-12-03-000 | BRAKE HANDLE ASSY | 1 |
| 3.1 | 200-12-03-076 | HANDLE EXTENSION | 1 |
| 3.2 | 200-12-03-077 | HANDLE READY THREAD | 1 |
| 3.3 | 200-12-03-075 | HANDLE TOP | 1 |
| 3.4 | R07825 | 1/2 FLAT WASHER | 1 |
| 4 | 200-12-04-000 | BRAKE HANDLE ASSY | 1 |
| 4.1 | 200-12-04-201 | HANDLE YOKE | 1 |
| 4.2 | 200-12-04-202 | RH HANDLE | 1 |
| 4.3 | 200-12-04-203 | LH HANDLE | 1 |
| 5 | R07785 | 1/2 HEX NUT | 2 |
| 6 | R07803 | 3/8 LOCK WASHER | 1 |
| 7 | R07783 | 3/8 HEX NUT | 1 |
| 8 | R07624 | 3/8 X 3 1/2" HEX BOLT | 1 |
| 9 | R08069 | 25.4 OD X 102 LONG SPRING | 1 |

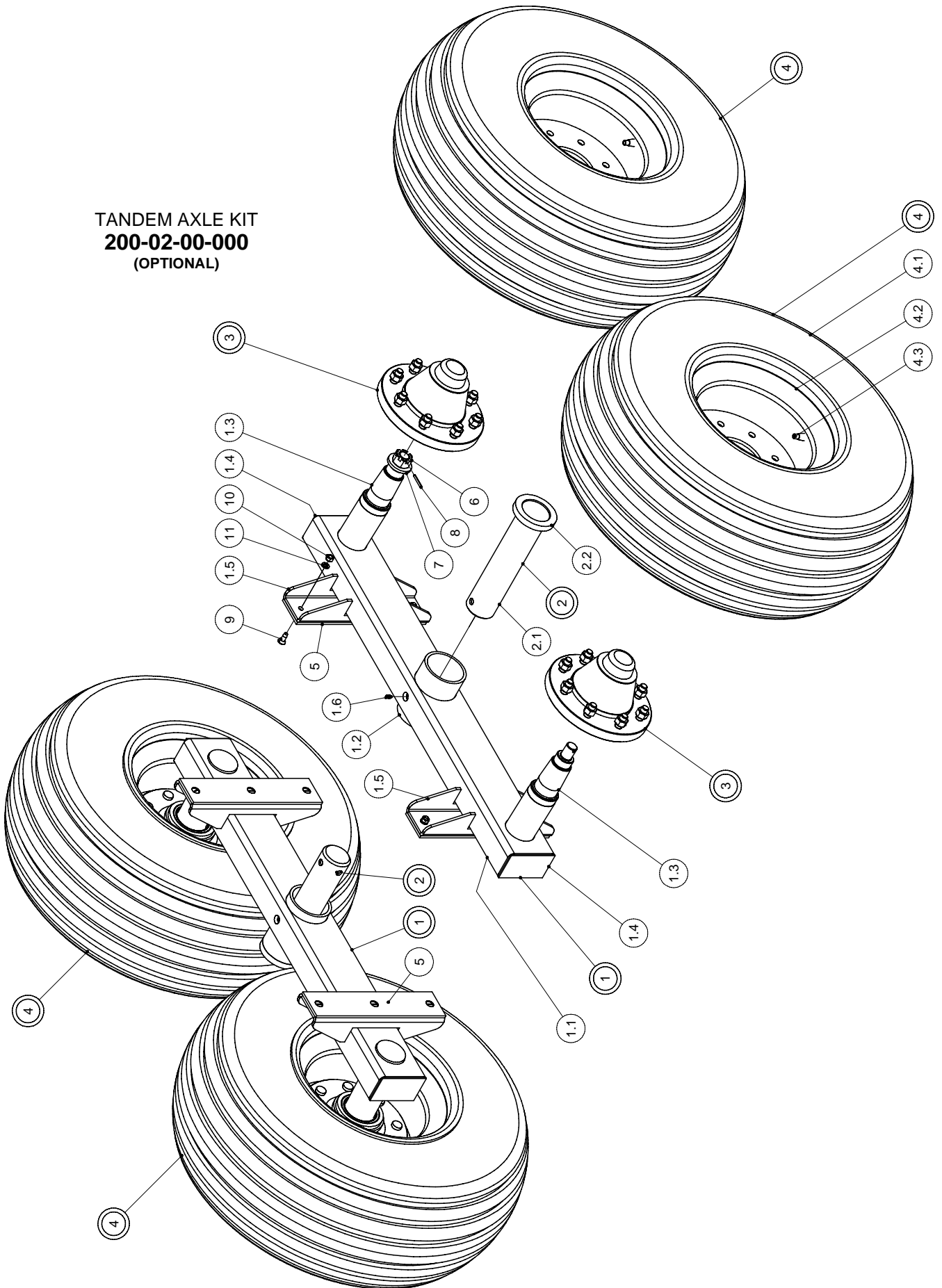
DRIVE SPROCKET, PLATE & LOCK



| PARTS LIST | | | |
|------------|---------------|-------------------------------------|-----|
| ITEM | PART NUMBER | DESCRIPTION | QTY |
| 1 | 200-31-00-000 | DRIVE SPROCKET ASSY | 1 |
| 1.1 | 200-31-00-157 | DRIVE SPROCKET 80B45 | 1 |
| 1.2 | 200-22-05-108 | LOCK BRKT | 1 |
| 1.3 | 200-22-05-109 | PIN STOP | 1 |
| 1.4 | R21199 | 1 3/4 x 2 1/8 x 2" LONG BUSHING | 1 |
| 1.5 | 308-57-00-165 | HARDENED BUSHING | 1 |
| 1.6 | 200-22-06-000 | LOCK PIN ASSY | 1 |
| 1.6.1 | 200-22-06-110 | HANDLE | 1 |
| 1.6.2 | 200-22-06-111 | LOCK PIN | 1 |
| 1.7 | R07942 | 1/4 x 2" ROLL PIN | 2 |
| 1.8 | R07827 | 3/4" FLAT WASHER | 1 |
| 1.9 | R08038 | 1 1/8 x 3 x .105 COMPRESSION SPRING | 1 |
| 2 | 200-30-00-000 | DRIVE PLATE ASSY | 1 |
| 2.1 | 200-30-00-155 | DRIVE PLATE | 1 |
| 2.2 | 200-30-00-156 | DRIVE PLATE HUB | 1 |
| 2.3 | 308-57-00-165 | HARDENED BUSHING | 1 |

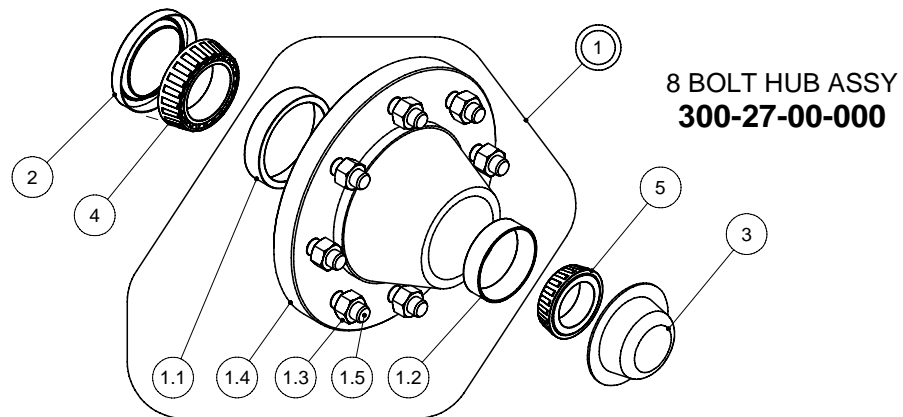
TANDEM AXLE KIT

TANDEM AXLE KIT
200-02-00-000
(OPTIONAL)



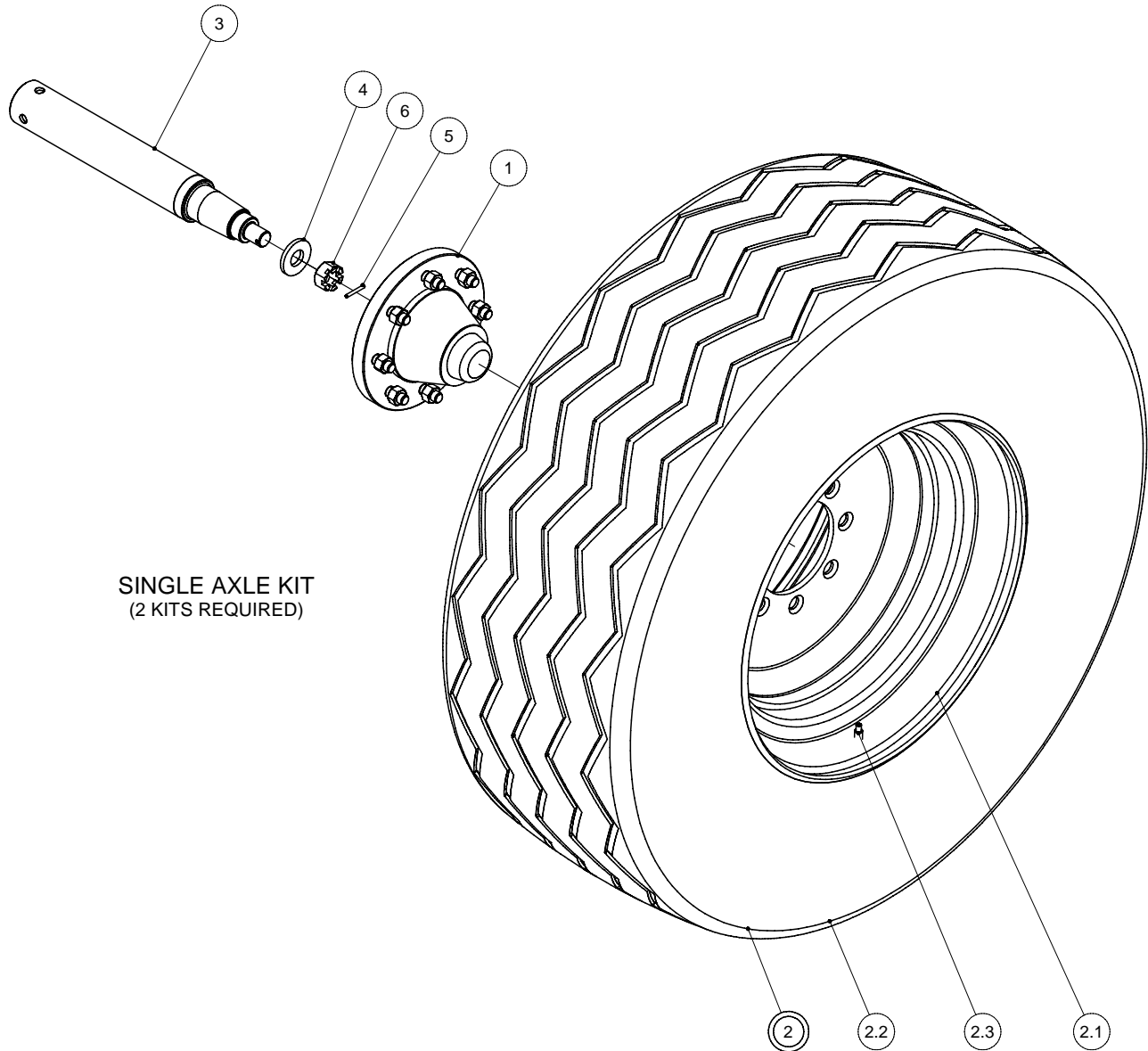
TANDEM AXLE KIT

| PARTS LIST | | | |
|------------|---------------|---------------------------------------|-----|
| ITEM | PART NUMBER | DESCRIPTION | QTY |
| 1 | 200-02-01-000 | WALKING BEAM ASSY | 2 |
| 1.1 | 200-02-01-011 | WALKING BEAM | 1 |
| 1.2 | 200-02-01-012 | WALKING BEAM SLEEVE | 1 |
| 1.3 | 200-02-01-014 | TANDEM AXLE SPINDLE | 2 |
| 1.4 | 200-02-01-013 | END CAP | 2 |
| 1.5 | 200-02-01-255 | WALKING BEAM GUIDE | 2 |
| 1.6 | R08183 | 1/4" - 28 STRAIGHT GREASE FITTING | 1 |
| 2 | 200-67-00-000 | STUB SHAFT ASSY-2003 | 2 |
| 2.1 | 200-67-00-289 | STUB SHAFT | 1 |
| 2.2 | 200-02-02-016 | STUB SHAFT STOP | 1 |
| 3 | 300-27-00-000 | 8 - BOLT HUB COMPLETE | 4 |
| 4 | 365-61-00-000 | 12.5L X 15 - 10 PLY TIRE ASSY | 4 |
| 4.1 | R20035 | 12.5L X 15 10PLY TIRE | 1 |
| 4.2 | R20049 | 15 X 10 X 8 BOLT WHEEL | 1 |
| 4.3 | R20020 | VALVE STEM | 1 |
| 5 | 200-00-00-189 | UHMW GUIDE PLATE | 4 |
| 6 | R20117 | SPINDLE NUT | 4 |
| 7 | R20118 | SPINDLE WASHER | 4 |
| 8 | R07943 | 3/16 x 1 1/2 ROLL PIN | 4 |
| 9 | R08156 | 3/8 x 1" FLAT SLOT HEAD MACHINE SCREW | 12 |
| 10 | R07783 | 3/8-16 UNC HEX NUT | 12 |
| 11 | R07803 | 3/8" LOCK WASHER | 12 |



| PARTS LIST | | | |
|------------|---------------|---------------------------------|-----|
| ITEM | PART NUMBER | DESCRIPTION | QTY |
| 1 | 300-27-00-574 | 8 - BOLT HUB w/ CUPS | 1 |
| 1.1 | R20112 | JLM506810 INNER CUP | 1 |
| 1.2 | R20113 | LM501310 OUTER CUP | 1 |
| 1.3 | R20111 | 5/8 x 18 UNF WHEEL NUT | 8 |
| 1.4 | R20126 | 8 BOLT HUB LESS CUPS | 1 |
| 1.5 | R20124 | 5/8 - 18 UNF x 2 3/8 WHEEL BOLT | 8 |
| 2 | R20116 | HUB SEAL | 1 |
| 3 | R20119 | DUST CAP | 1 |
| 4 | R20114 | JLM506849 | 1 |
| 5 | R20115 | LM501349 OUTER CONE | 1 |

SINGLE AXLE KIT



| PARTS LIST | | | |
|------------|---------------|------------------------------------|-----|
| ITEM | PART NUMBER | DESCRIPTION | QTY |
| 1 | 300-27-00-000 | 8 - BOLT HUB COMPLETE | 1 |
| 2 | 340-55-00-000 | 18 x 22.5 TRUCK TIRE, TUBE & WHEEL | 1 |
| 2.1 | R20058 | 8 BOLT WHEEL 13.5 x 22.5 | 1 |
| 2.2 | R20011 | 18 x 22.5 USED TRUCK TIRE | 1 |
| 2.3 | R20050 | VALVE STEM FOR TRUCK TIRE | 1 |
| 3 | 200-00-00-288 | SINGLE AXLE SPINDLE | 1 |
| 4 | R20118 | SPINDLE WASHER | 1 |
| 5 | R07943 | 3/16 x 1 1/2 ROLL PIN | 1 |
| 6 | R20117 | SPINDLE NUT | 1 |