

Office Copy

10/17/2005 - 17 made  
Nov 11/06 - 4"

# HUSKY FARM EQUIPMENT LIMITED

## SOFT HOSE REEL PARTS BOOK & OPERATING INSTRUCTIONS

Date Purchased \_\_\_\_\_ Machine Serial # \_\_\_\_\_

### HUSKY DRAG HOSE REEL OPEN STYLE 204-00-00-000

#### PLEASE NOTE:

#### Pre Operation Checklist:

Ensure all hydraulic hoses and fittings are in good condition.

Adjust spring loaded brake, so that enough tension is applied as hose unreels. A lack of tension may cause the reel to unwind uncontrollably

Check wheel nut tension, and tire pressure.

Check chain tension, and adjust if necessary. Apply grease to all grease fittings.

Check field for any sharp objects

#### Operating Instructions:

Stop tractor before attempting to service machine in any way.

Reel must be attached to Tractor while in operation. Always apply brakes while reeling in, and an operator must be present in tractor at all times while the reel is winding in/out

For free wheeling, tie hose to a stationary object and remove free wheeling pin, then drive tractor ahead slowly as the hose unreels.

Never try to reel up more than 660 feet of hose on one pull. Never try to pull a full hose, ensure hose is empty before pulling in.

Always back the Husky Hose Reel up to get a few wraps around hose drum before pulling hose tight, otherwise it will pull the end off of the hose.

While spreading/injecting the manure always make tight turns with tractor. If too wide a turn is made, hose may flip over and coil up.

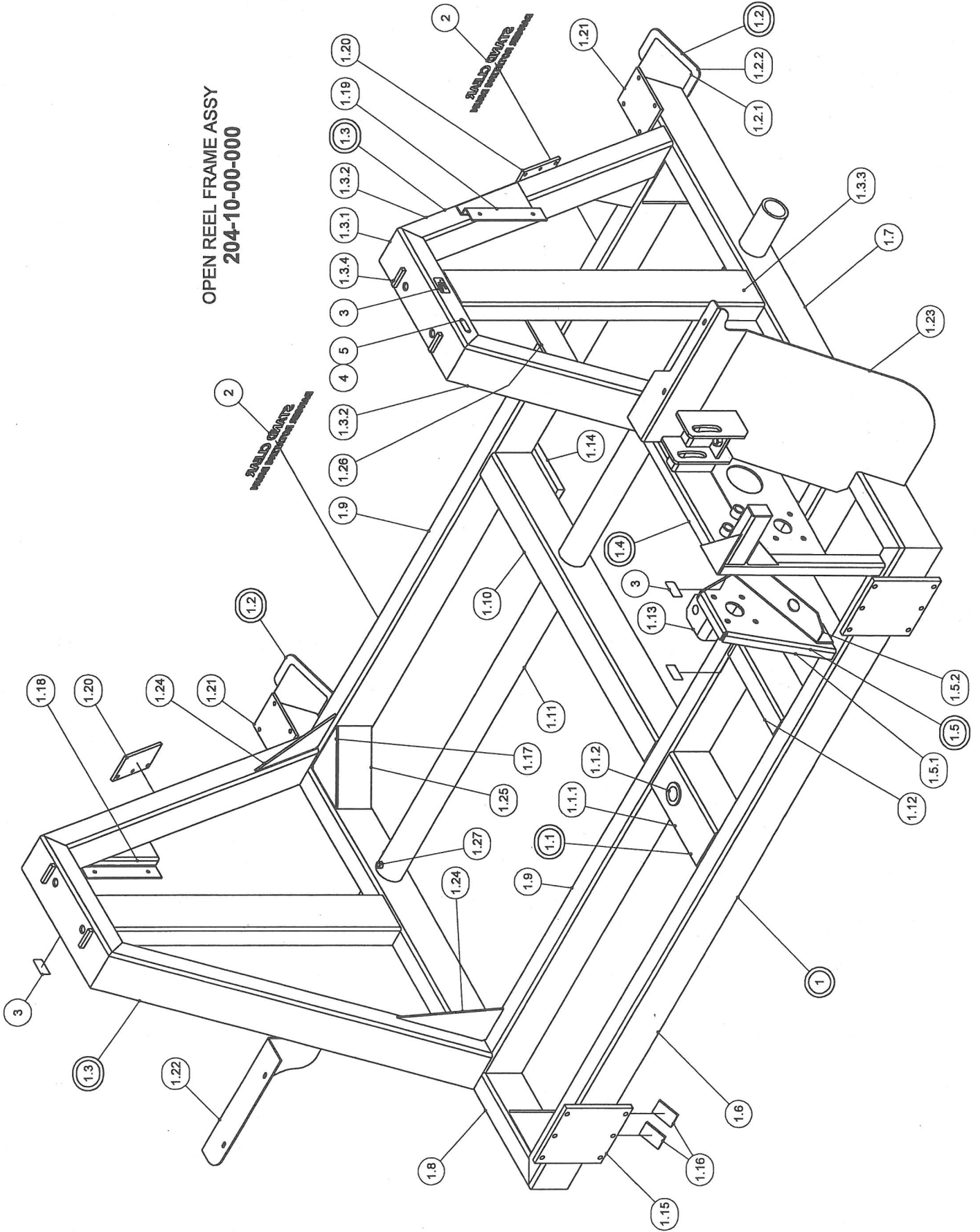
When spreading manure with drag hose always have an operator at high pressure pump to shut unit down if hose breaks, or have a radio controlled kill switch on pump tractor to avoid spills.

If spill does occur and there is a danger that water ways will be contaminated, contact authorities **Immediately**, they will help direct the clean up. In Canada call 1-800-268-6060.

Always beware of manure gas, never enter a manure tank. **"Gas can Kill"**.

# OPEN REEL FRAME ASSY

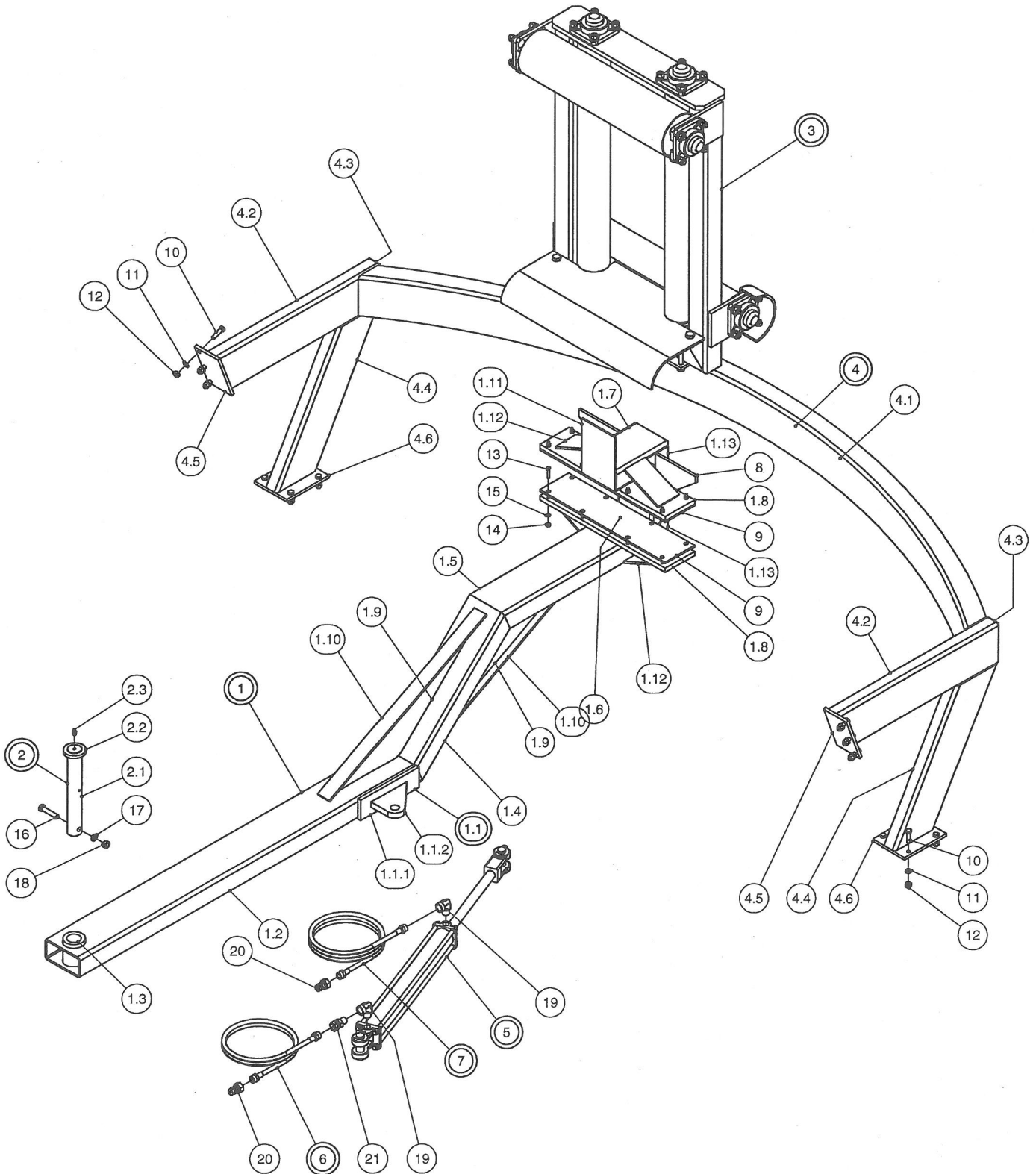
OPEN REEL FRAME ASSY  
204-10-00-000



## OPEN REEL FRAME ASSY

PARTS LIST			
ITEM	PART NUMBER	DESCRIPTION	QTY
1	204-10-00-000	HD FRAME ASSY-2005	1
1.1	204-01-09-000	SPACER TUBE W/SLEEVE ASSY	1
1.1.1	204-01-00-007	CENTER SPACER TUBE	1
1.1.2	200-03-00-018	PIVOT SLEEVE	1
1.2	204-10-01-000	FOOT ASSY	2
1.2.1	204-10-01-084	FRAME ANGLE PC	1
1.2.2	204-10-01-085	FOOT	1
1.3	204-10-05-000	FRAME SIDE ASSY	2
1.3.1	204-10-05-120	TOP TUBE-2 1/2" PB BRG	1
1.3.2	204-10-00-081	ANGLE TUBE	2
1.3.3	204-10-00-083	VERTICAL SUPPORT TUBE	1
1.3.4	204-10-05-119	BRG STOP BLOCK	2
1.4	200-39-11-000	SIDE DRIVE FRAME ASSY	1
1.5	200-39-10-000	FLANGE BEARING HOLDER ASSY	1
1.5.1	200-39-10-287	FLANGE BRG MOUNT PLATE	1
1.5.2	200-39-02-234	BRAKE BASE PLATE	1
1.6	204-10-00-077	FRAME FRONT	1
1.7	204-10-00-075	LH FRAME SIDE	1
1.8	204-10-00-076	RH FRAME SIDE	1
1.9	204-10-00-078	FRAME CROSS BEAM	2
1.10	204-10-00-080	CENTER BEAM	1
1.11	204-10-00-079	AXLE TUBE	1
1.12	204-01-00-038	SUPPORT TUBE	1
1.13	204-01-00-006	CYLINDER LUG	1
1.14	204-01-00-005	REAR HITCH PLATE	1
1.15	204-01-00-001	TONGUE BOLT PLATE	2
1.16	204-10-00-115	BOLT PLATE GUSSET	4
1.17	200-24-00-215	FRAME GUSSET	7
1.18	204-10-00-087	TOOL BOX BRKT-UPPER RH	1
1.19	204-10-00-086	TOOL BOX BRKT-UPPER LH	1
1.20	204-10-00-090	UPPER CONNECTOR BRKT	2
1.21	204-10-00-091	LOWER CONNECTOR PLATE	2
1.22	204-10-00-089	TOOL BOX BRKT-LOWER RH	1
1.23	204-10-00-088	TOOL BOX BRKT-LOWER LH	1
1.24	200-41-00-283	VERTICAL CORNER GUSSET	4
1.25	200-41-00-284	FILLER CAP	3
1.26	204-10-00-126	IDLER MOUNT PLATE	1
1.27	R07785	1/2-13 UNC HEX NUT	4
2	R09654	"STAND CLEAR" DECAL	2
3	R09582	GREASE SYMBOL DECAL	4
4	R09071	SERIAL NUMBER PLATE	1
5	R08152	6 x 1/4 PAN HD SOCKET SCREW	2

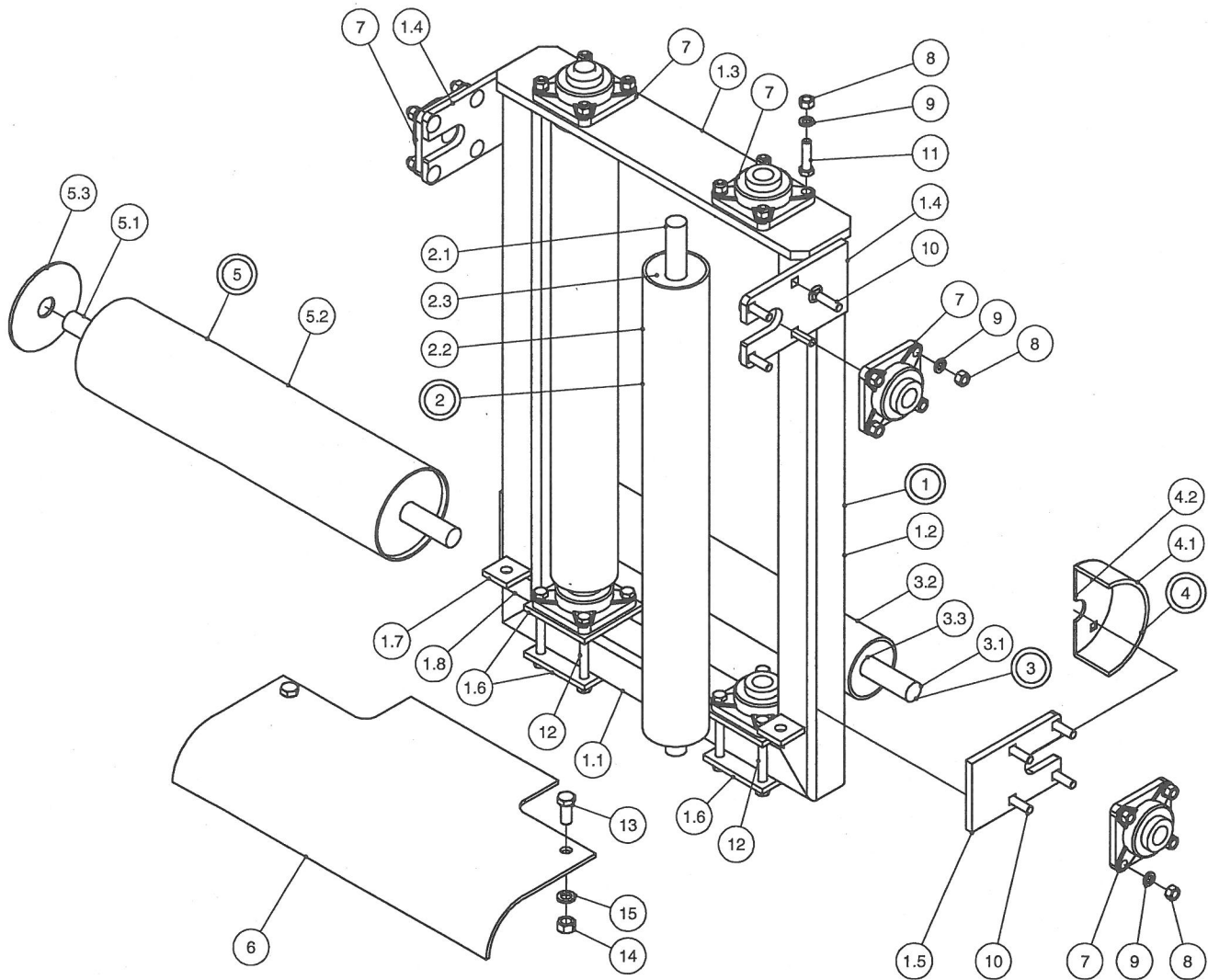
# REEL SWING BOOM



## REEL SWING BOOM

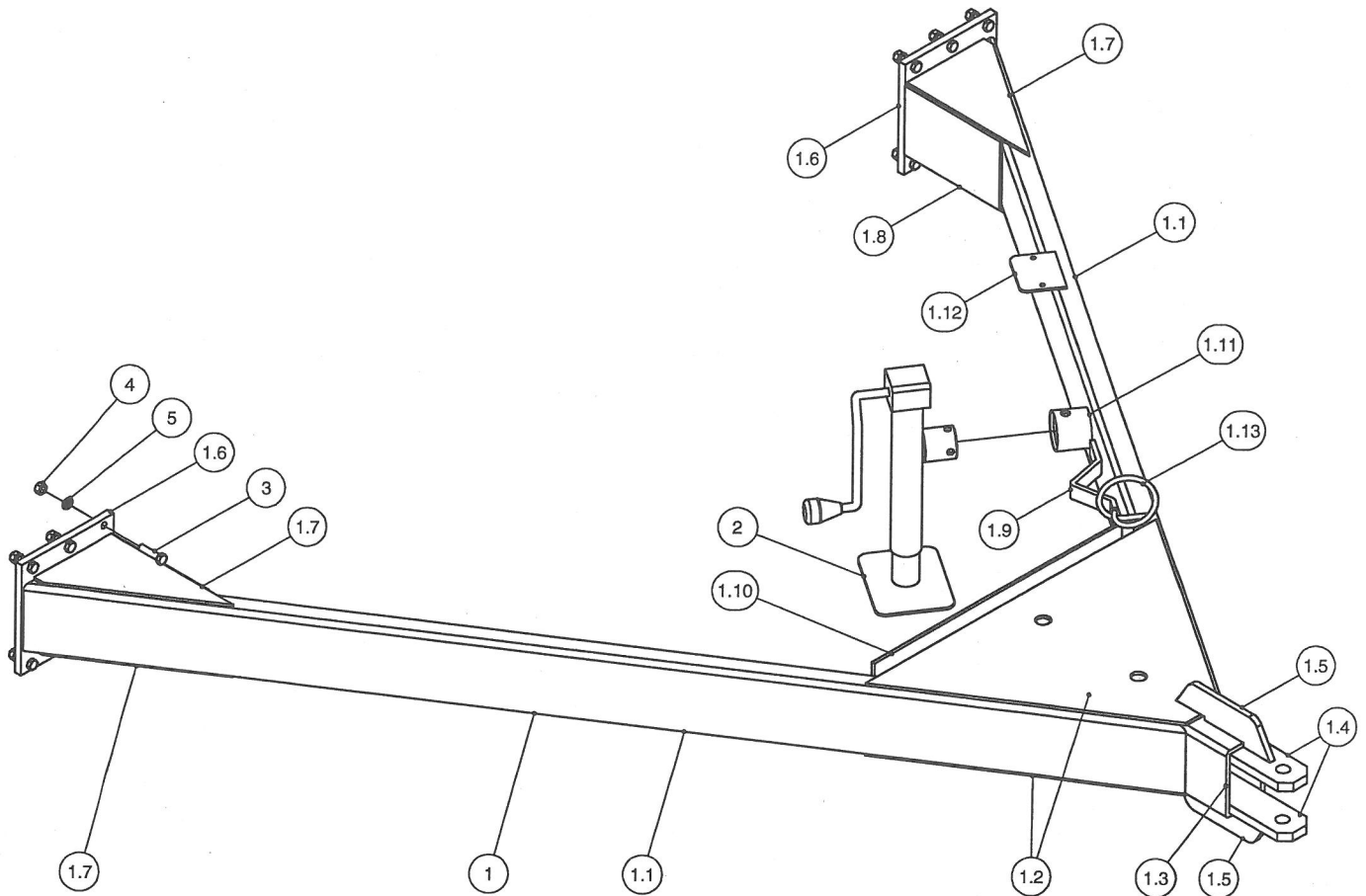
PARTS LIST			
ITEM	PART NUMBER	DESCRIPTION	QTY
1	204-03-01-000	SWING ARM ASSY	1
1.1	204-03-02-000	CYLINDER LUG ASSY	1
1.1.1	204-03-02-025	LUG BACK PLATE	1
1.1.2	368-54-00-295	CYLINDER BRKT	1
1.2	204-03-01-014	MAIN PIVOT ARM	1
1.3	204-03-01-017	PIVOT TUBE SLEEVE	1
1.4	204-03-01-015	ANGLE TUBE	1
1.5	204-03-01-016	HORIZONTAL TUBE	1
1.6	204-03-01-018	VERTICAL TUBE	1
1.7	204-03-01-019	TOP TUBE	1
1.8	204-03-01-020	SUPPORT PLATE	2
1.9	204-03-01-023	LARGE GUSSET	2
1.10	204-03-01-024	BAR	2
1.11	204-03-01-022	TUBE CAP	1
1.12	204-03-01-113	WEAR PLATE SUPPORT	4
1.13	204-03-01-112	CORNER GUSSET	4
2	204-04-00-000	HINGE PIN ASSY	1
2.1	204-04-00-037	HINGE PIN	1
2.2	200-09-00-043	TONGUE PIN WASHER	1
2.3	R08186	1/8" NPT GREASE FTG	1
3	204-03-07-000	HOSE ROLLER ASSY COMPLETE	1
4	204-11-00-000	SUPPORT FRAME-2002	1
4.1	204-11-00-099	RADIUS TUBE	1
4.2	204-11-00-100	HORIZONTAL BRACE	2
4.3	204-02-00-013	CAP	2
4.4	204-11-00-101	LEG	2
4.5	204-10-00-090	UPPER CONNECTOR BRKT	2
4.6	204-10-00-091	LOWER CONNECTOR PLATE	2
5	R20732	2 x 20 HYDRAULIC CYLINDER	1
6	204-17-00-000	1/4" HYDRAULIC HOSE ASSY - BOOM CYL	1
7	204-18-00-000	1/4" HYDRAULIC HOSE ASSY - BOOM CYL	1
8	204-03-01-021	SUPPORT PLATE GUSSET	2
9	204-03-00-036	UHMW WEAR PLATE	2
10	R07629	7/16 x 1 1/2 UNC HEX BOLT	14
11	R07804	7/16" LOCK WASHER	14
12	R07784	7/16-14 UNC HEX NUT	14
13	R08158	1/4 x 1 1/2" FLAT HEAD MACHINE SCREW	16
14	R07781	1/4-20 UNC HEX NUT	16
15	R07801	1/4" LOCK WASHER	16
16	R07640	1/2 x 2 1/2 UNC HEX BOLT	1
17	R07805	1/2" LOCK WASHER	1
18	R07785	1/2-13 UNC HEX NUT	1
19	R21367	1/2 X 90 HYD ELBOW	2
20	R21342	1/2" MALE PIONEER TIP	2
21	R22166	1/2" NPT RESTRICTOR	1

# HOSE ROLLER COMPLETE



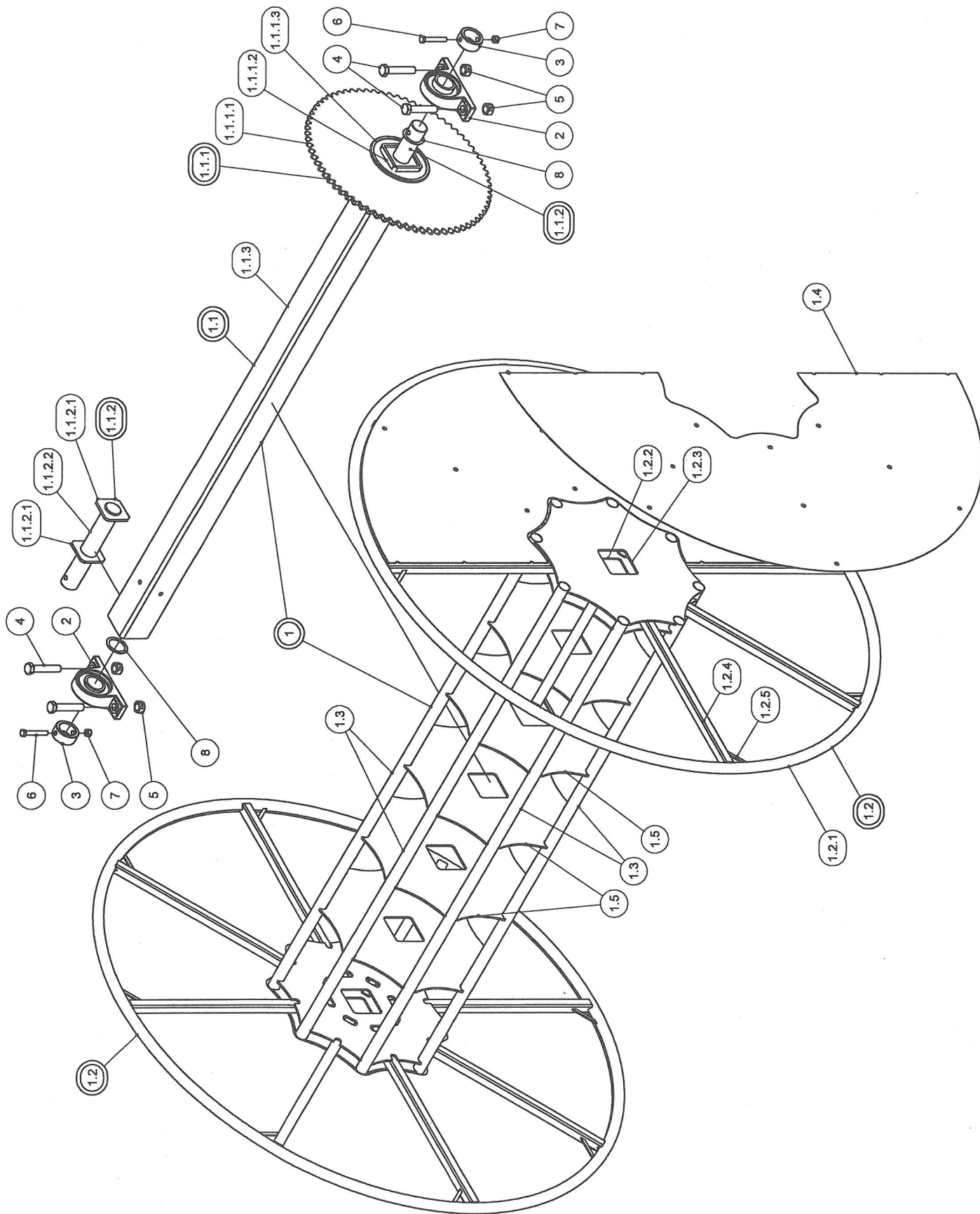
PARTS LIST				PARTS LIST			
ITEM	PART NUMBER	DESCRIPTION	QTY	ITEM	PART NUMBER	DESCRIPTION	QTY
1	204-03-04-000	ROLLER FRAME ASSY	1	4	204-03-11-000	BEARING COVER ASSY	2
1.1	204-03-04-029	LOWER TUBE	1	4.1	204-03-11-108	BEARING GUARD	1
1.2	204-03-04-026	SIDE TUBE	2	4.2	204-03-11-109	BRG GUARD BOLT PLATE	1
1.3	204-03-04-028	TOP PLATE	1	5	204-03-10-000	6" UPPER HOR. ROLLER ASSY	1
1.4	204-03-04-106	UPPER BEARING HOLDER	2	5.1	204-03-09-096	SHORT ROLLER SHAFT	1
1.5	204-03-04-027	BEARING HOLDER	2	5.2	204-03-10-104	6" UPPER ROLLER	1
1.6	204-03-04-030	BEARING SUPPORT	4	5.3	204-03-10-105	6" ROLLER CAP	2
1.7	204-03-04-110	HOSE GUIDE BRKT	2	6	204-03-00-107	HOSE GUIDE	1
1.8	204-03-04-111	GUSSET	2	7	R20184	1 1/4" FLANGE BEARING	8
2	204-03-08-000	VERTICAL ROLLER ASSY	2	8	R07785	1/2-13 UNC HEX NUT	32
2.1	204-03-08-098	LONG ROLLER SHAFT	1	9	R07805	1/2" LOCK WASHER	32
2.2	204-03-08-097	LONG ROLLER	1	10	R07744	1/2 x 2 UNC CARRIAGE BOLT	16
2.3	204-03-05-033	ROLLER CAPS	2	11	R07639	1/2 x 2 UNC HEX BOLT	8
3	204-03-09-000	HORIZONTAL ROLLER ASSY	1	12	R07644	1/2 x 5 UNC HEX BOLT	8
3.1	204-03-09-096	SHORT ROLLER SHAFT	1	13	R07646	5/8 x 1 1/2 UNC HEX BOLT	2
3.2	204-03-09-095	SHORT ROLLER	1	14	R07786	5/8-11 UNC HEX NUT	2
3.3	204-03-05-033	ROLLER CAPS	2	15	R07806	5/8" LOCK WASHER	2

# BOLT ON TONGUE



PARTS LIST			
ITEM	PART NUMBER	DESCRIPTION	QTY
1	204-05-00-000	BOLT ON TONGUE ASSY	1
1.1	204-05-00-047	TONGUE ANGLE TUBE	2
1.2	204-05-00-049	TONGUE GUSSET	2
1.3	204-05-00-048	TONGUE TUBE	1
1.4	200-03-00-019	HITCH TOP PC	2
1.5	204-05-00-116	HITCH REINFORCING PLATE	2
1.6	204-01-00-001	TONGUE BOLT PLATE	2
1.7	204-05-00-051	CORNER GUSSET	4
1.8	204-05-00-052	CORNER GUSSET FILLER	2
1.9	204-05-00-072	TONGUE LIFT HOOK	2
1.10	204-05-00-050	FILLER PLATE	1
1.11	364-35-00-245	TONGUE JACK BRKT	1
1.12	204-05-00-073	RELIEF VALVE CONTROL PLATE	1
1.13	296-25-00-090	HYD HOSE HOLDER	1
2	R09751	7000LB SIDE WIND JACK	1
3	R07639	1/2 x 2 UNC HEX BOLT	12
4	R07785	1/2-13 UNC HEX NUT	12
5	R07805	1/2" LOCK WASHER	12

# OPEN CENTER REEL ASSY

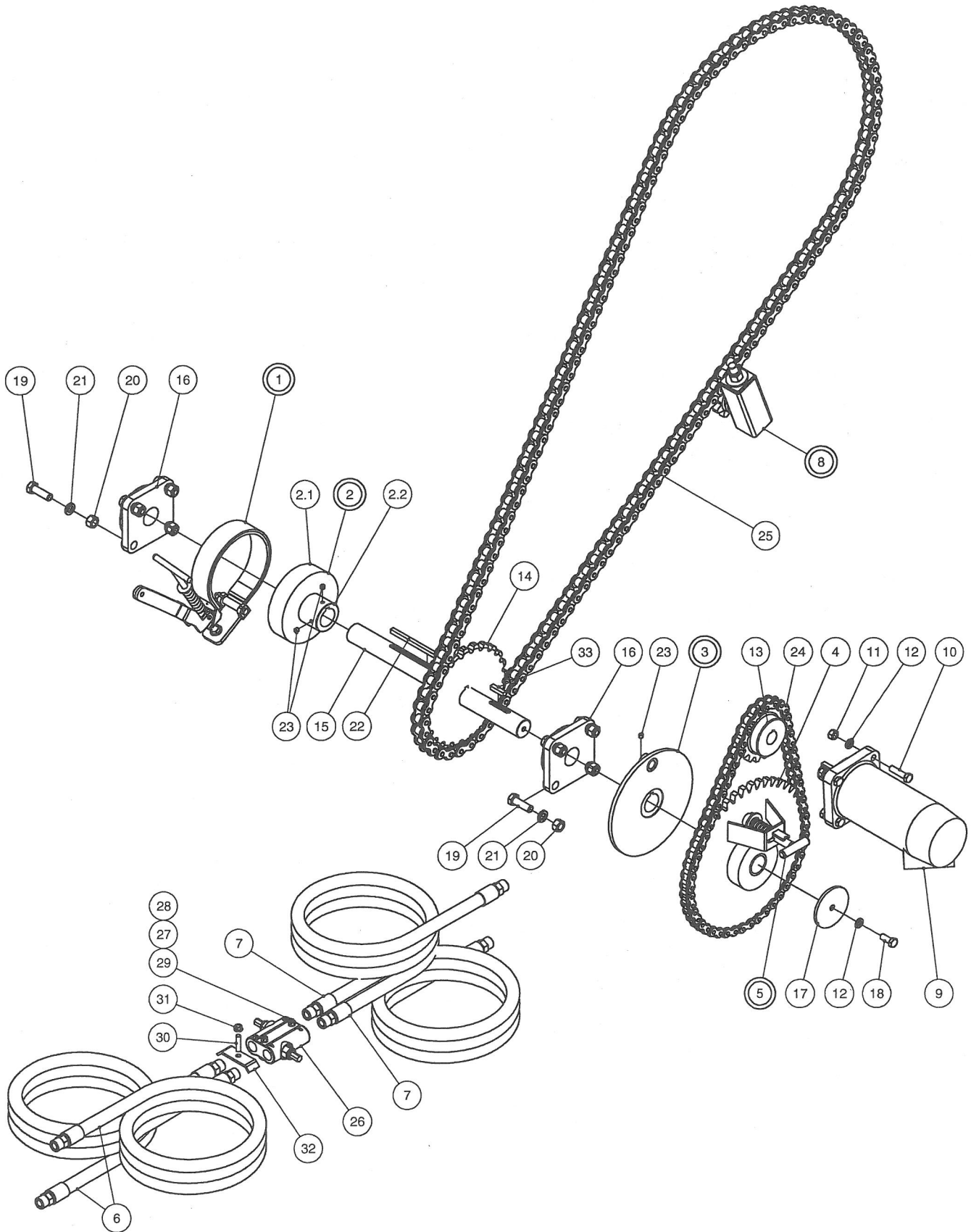




## OPEN CENTER REEL ASSY

PARTS LIST			
ITEM	PART NUMBER	DESCRIPTION	QTY
1	204-13-00-000	OPEN CENTER REEL ASSY (2 1/2" STUBS)	1
1.1	204-13-01-000	CROSS TUBE ASSY-2 1/2" STUBS	1
1.1.1	204-06-02-000	HUB AND SPROCKET ASSY	1
1.1.1.1	R20924	100A-72 T SPROCKET	1
1.1.1.2	200-25-01-153	LARGE TUBE DISC	2
1.1.1.3	204-06-02-054	SPROCKET HUB	1
1.1.2	204-13-02-000	2 1/2" STUB SHAFT ASSY	2
1.1.2.1	204-13-02-118	STUB SHAFT PLATE	2
1.1.2.2	204-13-02-117	2 1/2" STUB SHAFT	1
1.1.3	204-13-01-121	CROSS TUBE	1
1.2	200-34-01-000	REEL ASSY	2
1.2.1	200-06-00-035	INNER REEL	1
1.2.2	200-34-01-197	REEL INNER PLATE	1
1.2.3	200-34-01-196	REEL OUTER PLATE	1
1.2.4	200-34-01-198	INNER SPOKE	8
1.2.5	200-05-00-031	STRAP HOOK	8
1.3	204-06-00-053	CROSS SHAFT	8
1.4	200-34-00-200	OUTER REEL SHIELD	4
1.5	200-34-01-196	REEL OUTER PLATE	5
2	R20469	2 1/2" PILLOW BLOCK BEARING	2
3	204-00-00-122	SHAFT COLLAR	2
4	R07666	1 x 5 UNC HEX BOLT	4
5	R07882	1-8 UNC 2-WAY LOCK NUT	4
6	R07651	5/8 x 4 UNC HEX BOLT	2
7	R07887	5/8 HEX NUT	2
8	204-00-00-127	DRUM SHIM	2

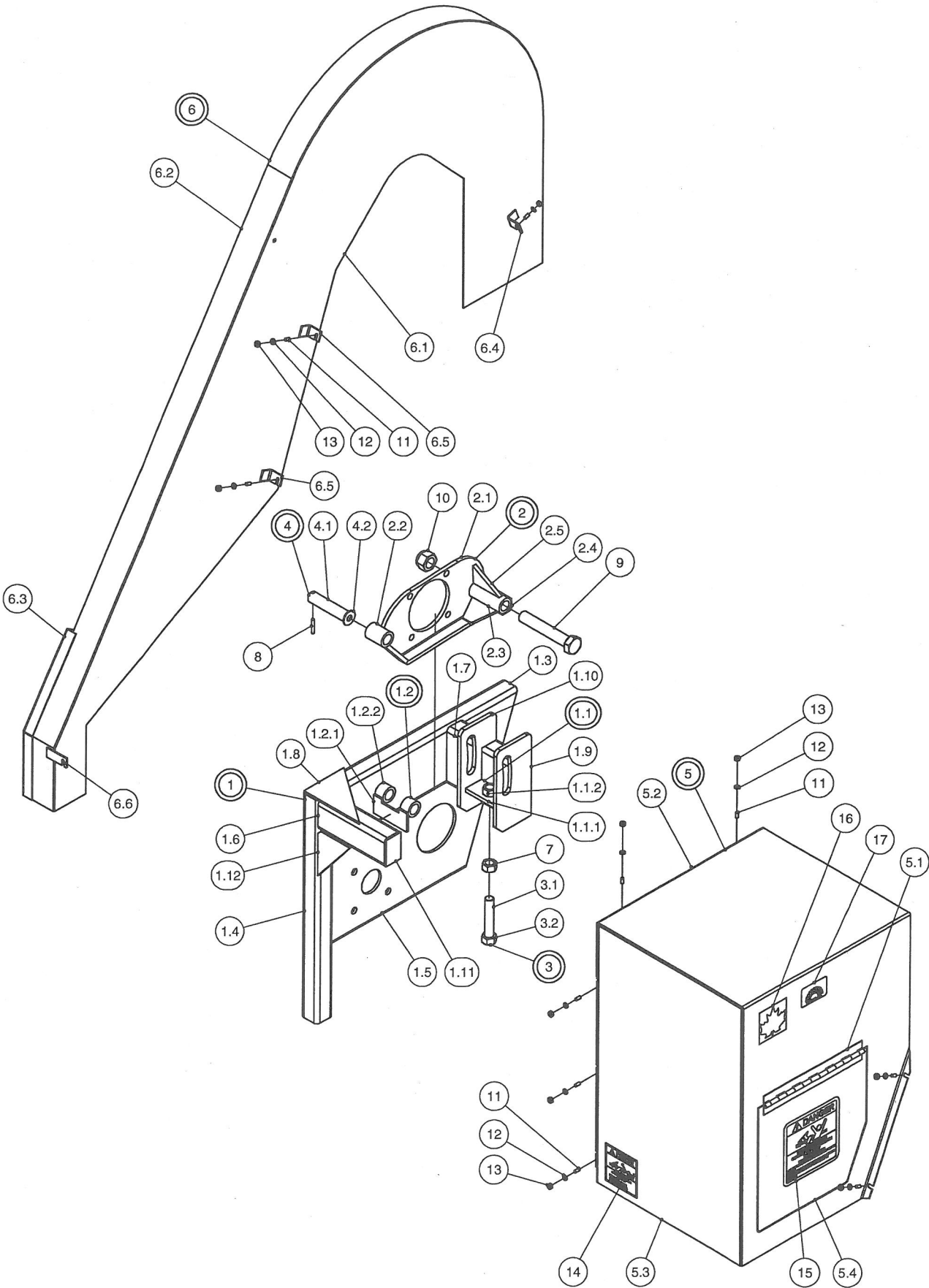
# SIDE DRIVE KIT



## SIDE DRIVE KIT

PARTS LIST			
ITEM	PART NUMBER	DESCRIPTION	QTY
1	200-12-00-000	BRAKE KIT	1
2	200-32-00-000	BRAKE DISC AND HUB ASSY	1
2.1	200-32-00-178	BRAKE DISC	1
2.2	200-32-00-179	BRAKE DISC HUB	1
3	200-30-00-000	DRIVE PLATE ASSY	1
4	200-31-00-000	DRIVE SPROCKET ASSY	1
5	200-22-06-000	LOCK PIN ASSY	1
6	204-01-08-000	3/4" HYD HOSE ASSY	2
7	200-39-06-000	3/4" HYD HOSE ASSY	2
8	200-11-00-000	CHAIN TIGHTENER KIT	1
9	R22267	6000 SERIES HYD MOTOR	1
10	R07639	1/2 x 2 UNC HEX BOLT	4
11	R07785	1/2-13 UNC HEX NUT	4
12	R07805	1/2" LOCK WASHER	5
13	R20655	80 B16 SPROCKET	1
14	R20928	100 B24 SPROCKET W/1 3/4" BORE	1
15	200-39-00-245	SPROCKET SHAFT	1
16	R20188	1 3/4" FLANGE BRG	2
17	200-00-00-195	CLUTCH WASHER	1
18	R07674	1/2 x 1 1/4 UNC HEX BOLT	1
19	R07647	5/8 x 2 UNC HEX BOLT	8
20	R07786	5/8-11 UNC HEX NUT	8
21	R07806	5/8" LOCK WASHER	8
22	200-00-00-217	3/8" KEY-225 LONG	1
23	R07909	3/8 x 3/8 SET SCREW	6
24	200-00-00-190	#80 ROLLER DRIVE CHAIN	1
25	200-00-00-191	#100 MAIN DRIVE CHAIN	1
26	R21249	DUAL RELIEF VALVE - REEL	1
27	R07782	5/16-18 UNC HEX NUT	2
28	R07802	5/16" LOCK WASHER	2
29	R07684	5/16 x 2 1/4 UNC HEX BOLT	2
30	R08302	3/8-16 UNC x 1 5/8" WELD STUD	5
31	R07794	3/8-16 UNC FLANGE NUT	5
32	351-00-00-009	HYD. HOSE FASTENER	5
33	200-00-00-218	3/8" KEY - 40 LONG	1

SIDE FRAME, MOTOR MOUNT & GUARD

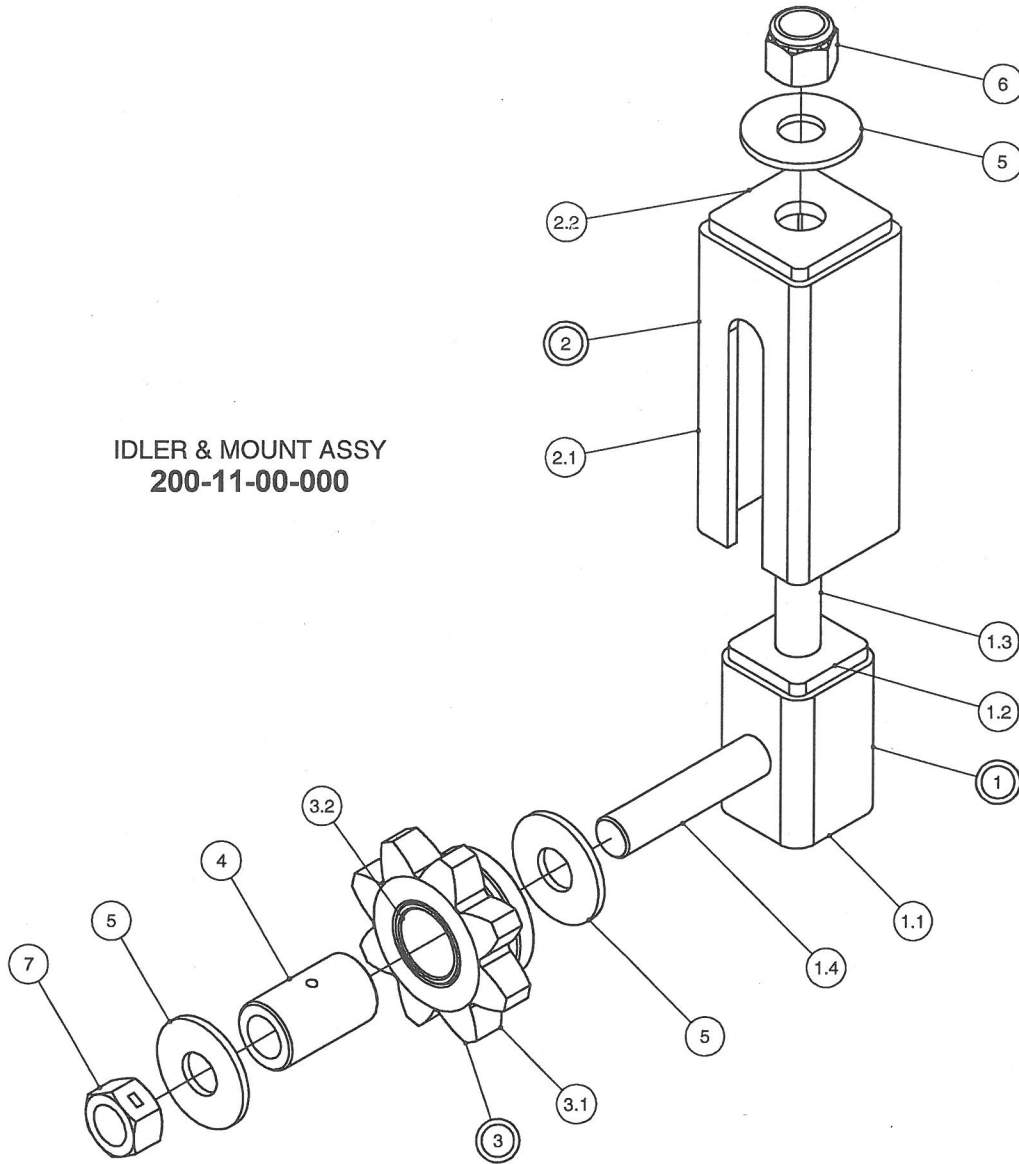


## SIDE FRAME, MOTOR MOUNT & GUARD

PARTS LIST			
ITEM	PART NUMBER	DESCRIPTION	QTY
1	200-39-11-000	SIDE DRIVE FRAME ASSY	1
1.1	200-22-12-000	TIGHTENER BRKT ASSY	1
1.1.1	200-22-12-219	TIGHTENER BRKT	1
1.1.2	R07787	3/4-10 UNC HEX NUT	1
1.2	200-22-02-000	BUSHING HOLDER ASSY	1
1.2.1	200-22-02-102	BUSHING HOLDER PLATE	1
1.2.2	200-22-02-101	HOLDER BUSHING	2
1.3	200-39-07-273	HORIZONTAL TUBE	1
1.4	200-39-01-222	VERTICAL POST	1
1.5	200-39-11-290	FLANGE BEARING PLATE	1
1.6	200-39-01-227	FRONT STUB TUBE	1
1.7	200-39-01-225	STUB TUBE	1
1.8	200-39-01-229	TOP GUSSET	1
1.9	200-39-01-226	CAP BRKT	1
1.10	200-22-00-209	TIGHTENER BRKT	1
1.11	200-39-01-228	END CAP	1
1.12	200-39-01-230	FRONT GUSSET	1
2	204-01-10-000	HYD MOTOR MOUNT ASSY-6000 SERIES	1
2.1	204-00-00-071	HYD MOTOR MOUNT-6000 SERIES MOTOR	1
2.2	200-22-03-104	MOUNT PLATE SLEEVE	1
2.3	200-22-11-211	MOTOR MOUNT LONG SLEEVE	1
2.4	200-22-11-238	ANGLE SEAT	1
2.5	200-22-11-212	SLEEVE GUSSET	1
3	200-22-08-000	TIGHTENER ROD ASSY	1
3.1	200-22-08-129	TIGHTENER ROD	1
3.2	R07787	3/4-10 UNC HEX NUT	1
4	200-22-09-000	HINGE PIN ASSY	1
4.1	200-22-09-130	HINGE PIN	1
4.2	R07825	1/2 FLAT WASHER	1
5	204-14-00-000	SIDE GUARD-6000 SERIES MOTOR	1
5.1	200-10-00-049	HINGE	1
5.2	204-14-00-124	SIDE GUARD	1
5.3	204-14-00-123	SIDE GUARD END PC	1
5.4	200-39-05-256	SIDE GUARD DOOR	1
6	200-39-08-000	LARGE OUTER GUARD ASSY-2002	1
6.1	200-39-08-274	LARGE GUARD OUTER PC	1
6.2	200-39-08-275	LARGE GUARD BAND	1
6.3	200-39-08-276	GUARD SIDE PC	1
6.4	200-39-09-281	RH CLIP	1
6.5	200-39-03-250	LH CLIP	2
6.6	200-39-03-251	STRAIGHT CLIP	1
7	R07787	3/4-10 UNC HEX NUT	1
8	R07962	1/4 x 1 1/2 ROLL PIN	1
9	R07667	1 x 6 UNC HEX BOLT	1
10	R08246	1 UNC NYLOCK NUT	1
11	R08301	1/4 x 20 UNC x 1/2" WELD STUD	10
12	R07801	1/4" LOCK WASHER	10
13	R07781	1/4-20 UNC HEX NUT	10
14	R21521	"ROTATING DRIVE LINE" DECAL	1
15	R09785	"DANGER ROTATING DRIVELINE" DECAL	1
16	R09509	"MADE IN CANADA" DECAL - LARGE	1
17	OFEMA	O.F.E.M.A. DECAL	1

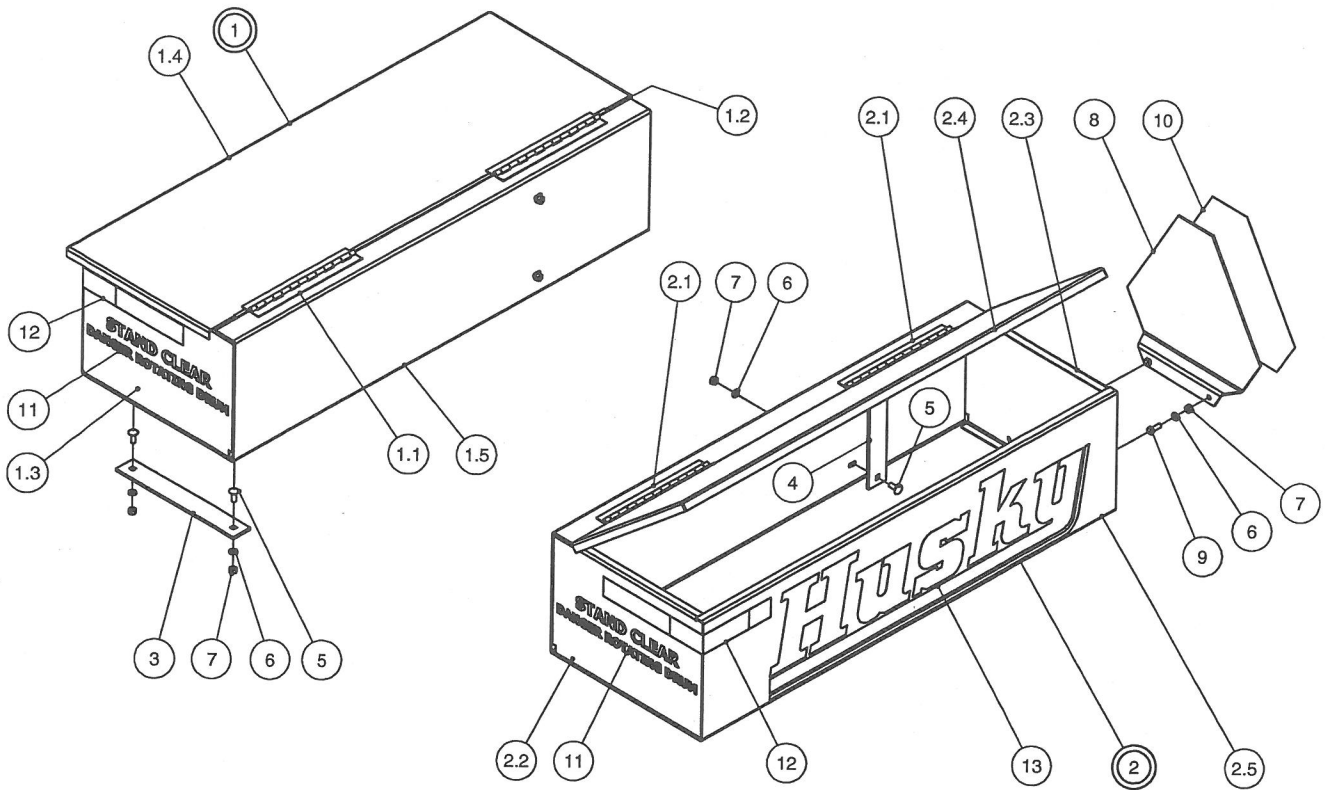
# IDLER & MOUNT ASSY

**IDLER & MOUNT ASSY  
200-11-00-000**



PARTS LIST			
ITEM	PART NUMBER	DESCRIPTION	QTY
1	200-11-01-000	TIGHTENER INNER TUBE ASSY	1
1.1	200-11-01-054	INSIDE TUBE	1
1.2	200-11-01-055	INNER TUBE CAP	1
1.3	200-11-01-058	TIGHTENER ROD	1
1.4	200-11-01-059	IDLER STUD	1
2	200-11-02-000	TIGHTENER OUTER TUBE ASSY	1
2.1	200-11-02-056	OUTER TUBE	1
2.2	200-11-02-057	OUTER TUBE CAP	1
3	200-11-03-000	IDLER SPROCKET ASSY	1
3.1	200-11-00-192	IDLER SPROCKET	1
3.2	R20255	1.5 OD X 1.25 ID X 1.5 LONG BRASS BUSHING	1
4	460-00-00-035	IDLER SLEEVE	1
5	R07827	3/4" FLAT WASHER	3
6	R07878	3/4 NYLOCK NUT	1
7	R07881	3/4-10 UNC 2-WAY LOCK NUT	1

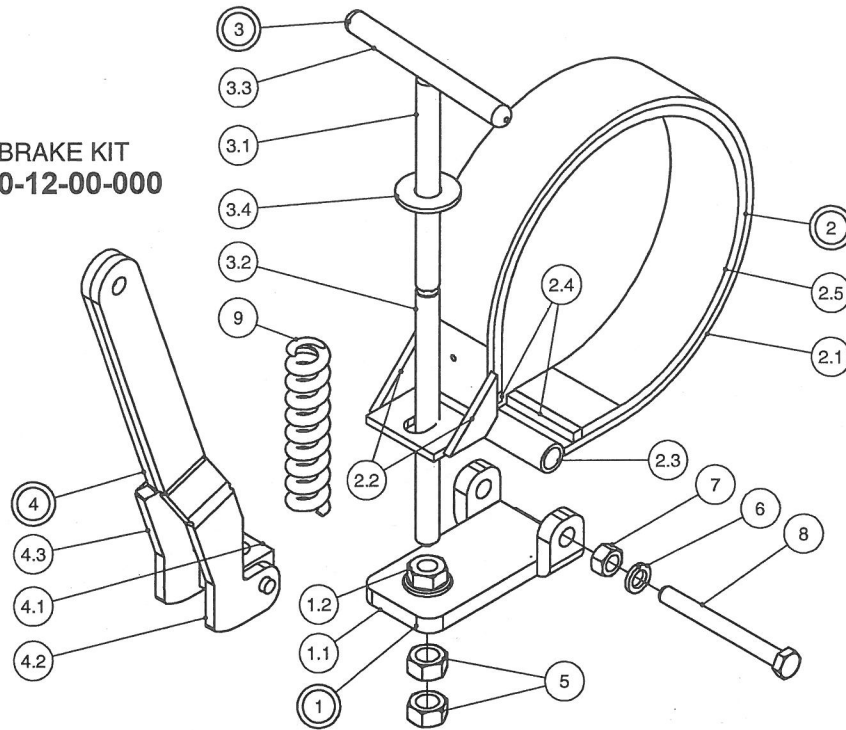
## TOOL BOXES



PARTS LIST			
ITEM	PART NUMBER	DESCRIPTION	QTY
1	200-10-00-000	RH TOOL BOX ASSY	1
1.1	200-10-00-049	HINGE	2
1.2	200-10-00-047	TOOL BOX LH SIDE	1
1.3	200-10-00-046	TOOL BOX LH SIDE	1
1.4	200-10-00-048	TOOL BOX LID	1
1.5	200-10-00-045	RH TOOL BOX BODY	1
2	200-33-00-000	LH TOOL BOX ASSY	1
2.1	200-10-00-049	HINGE	2
2.2	200-10-00-047	TOOL BOX LH SIDE	1
2.3	200-33-00-188	TOOL BOX RH SIDE	1
2.4	200-10-00-048	TOOL BOX LID	1
2.5	200-33-00-186	LH TOOL BOX BODY	1
3	200-00-00-158	TOOL BOX REINFORCING BAR	2
4	200-00-00-244	VERT. TOOL BOX REIN. BAR	2
5	R07721	3/8 x 1 UNC CARRIAGE BOLT	8
6	R07803	3/8" LOCK WASHER	10
7	R07783	3/8-16 UNC HEX NUT	10
8	200-00-00-132	S.M.V. SIGN HOLDER	1
9	R07619	3/8 x 1 UNC HEX BOLT	2
10	R09501	SLOW MOVING VEHICLE DECAL	1
11	R09654	"STAND CLEAR" DECAL	2
12	R10361	REFLECTOR TAPE - RED/SILVER	2
13	R10338	"HUSKY" DECAL - REEL	2

## BRAKE KIT

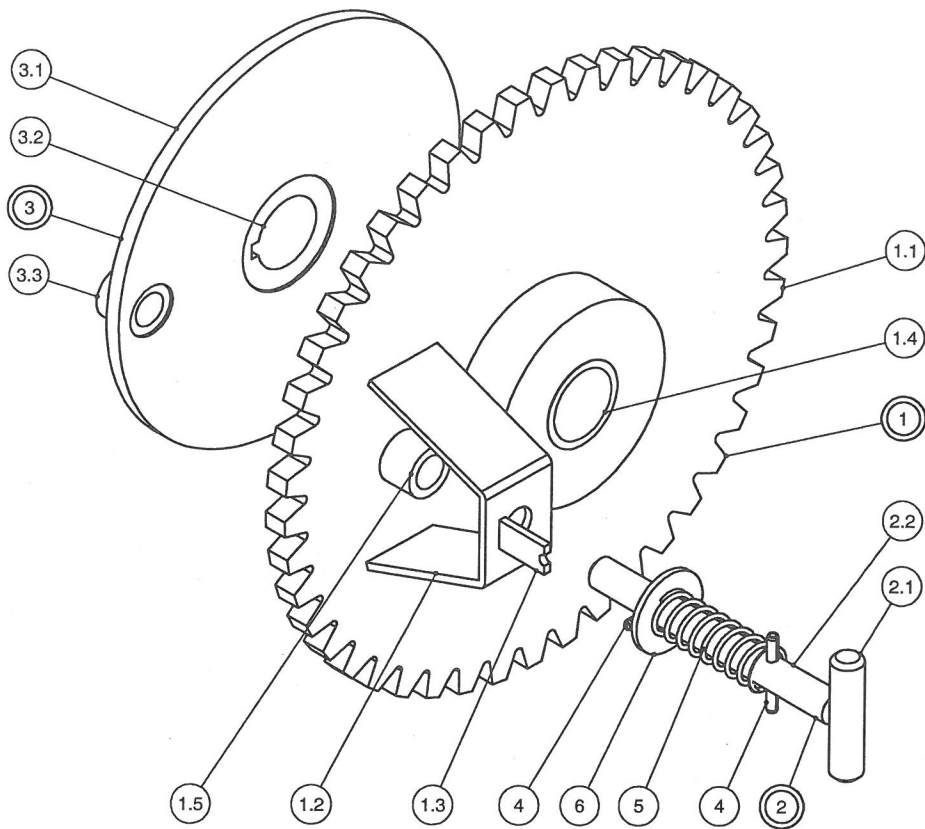
**BRAKE KIT  
200-12-00-000**



PARTS LIST			
ITEM	PART NUMBER	DESCRIPTION	QTY
1	200-12-02-000	BRAKE MOUNT PLATE ASSY	1
1.1	200-12-02-074	MOUNT PLATE	1
1.2	R07795	1/2" UNC FLANGE NUT	1
2	200-12-01-000	BRAKE BAND ASSY	1
2.1	200-12-01-069	BRAKE BAND	1
2.2	200-12-01-070	GUSSET	2
2.3	200-12-01-071	BAND SLEEVE	1
2.4	200-12-01-072	STOP	2
2.5	200-12-01-073	BRAKE LINING	1
3	200-12-03-000	BRAKE HANDLE ASSY	1
3.1	200-12-03-076	HANDLE EXTENSION	1
3.2	200-12-03-077	HANDLE READY THREAD	1
3.3	200-12-03-075	HANDLE TOP	1
3.4	R07825	1/2 FLAT WASHER	1
4	200-12-04-000	BRAKE HANDLE ASSY	1
4.1	200-12-04-201	HANDLE YOKE	1
4.2	200-12-04-202	RH HANDLE	1
4.3	200-12-04-203	LH HANDLE	1
5	R07785	1/2 HEX NUT	2
6	R07803	3/8 LOCK WASHER	1
7	R07783	3/8 HEX NUT	1
8	R07624	3/8 X 3 1/2" HEX BOLT	1
9	R08069	25.4 OD X 102 LONG SPRING	1



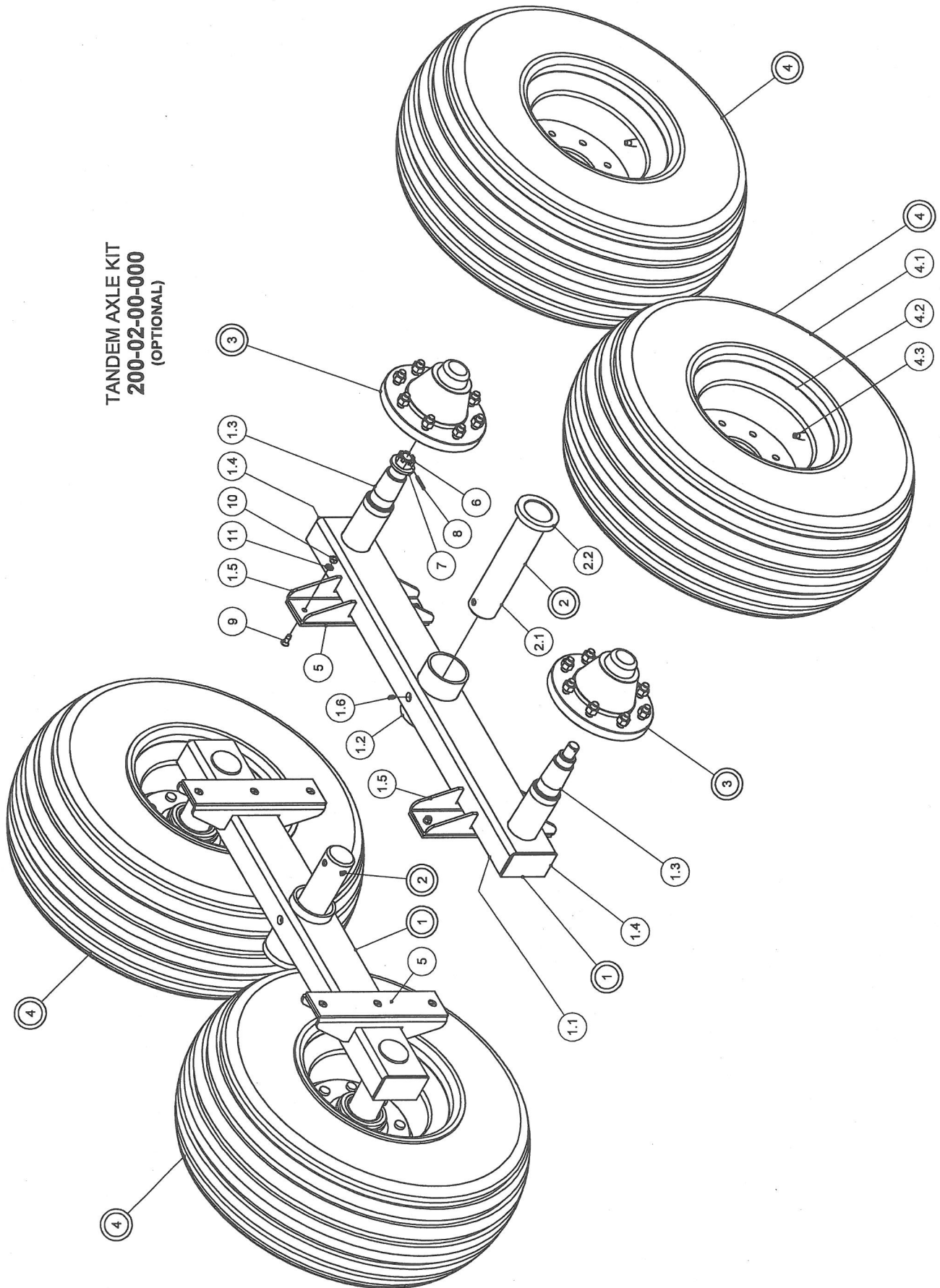
# DRIVE SPROCKET, PLATE & LOCK



PARTS LIST			
ITEM	PART NUMBER	DESCRIPTION	QTY
1	200-31-00-000	DRIVE SPROCKET ASSY	1
1.1	200-31-00-157	DRIVE SPROCKET 100B-36	1
1.2	200-22-05-108	LOCK BRKT	1
1.3	200-22-05-109	PIN STOP	1
1.4	R21199	1 3/4 x 2 1/8 x 2" LONG BUSHING	1
1.5	308-57-00-165	HARDENED BUSHING	1
2	200-22-06-000	LOCK PIN ASSY	1
2.1	200-22-06-110	HANDLE	1
2.2	200-22-06-111	LOCK PIN	1
3	200-30-00-000	DRIVE PLATE ASSY	1
3.1	200-30-00-155	DRIVE PLATE	1
3.2	200-30-00-156	DRIVE PLATE HUB	1
3.3	308-57-00-165	HARDENED BUSHING	1
4	R07942	1/4 x 2" ROLL PIN	2
5	R08038	1 1/8 x 3 x .105 COMPRESSION SPRING	1
6	R07827	3/4" FLAT WASHER	1

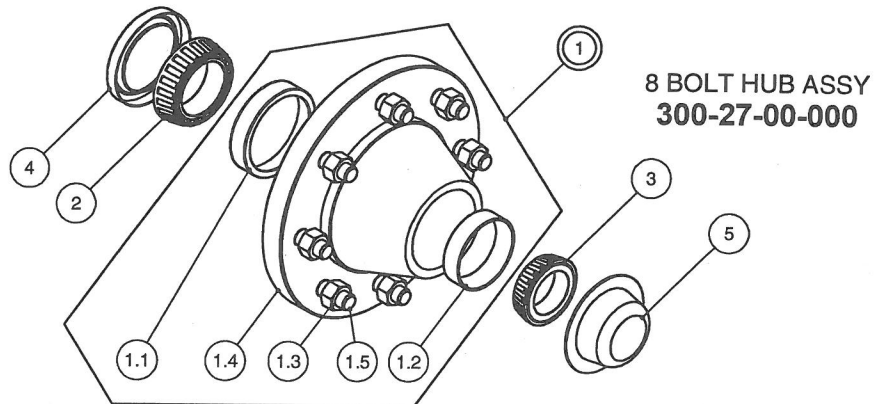
# TANDEM AXLE KIT

TANDEM AXLE KIT  
200-02-00-000  
(OPTIONAL)



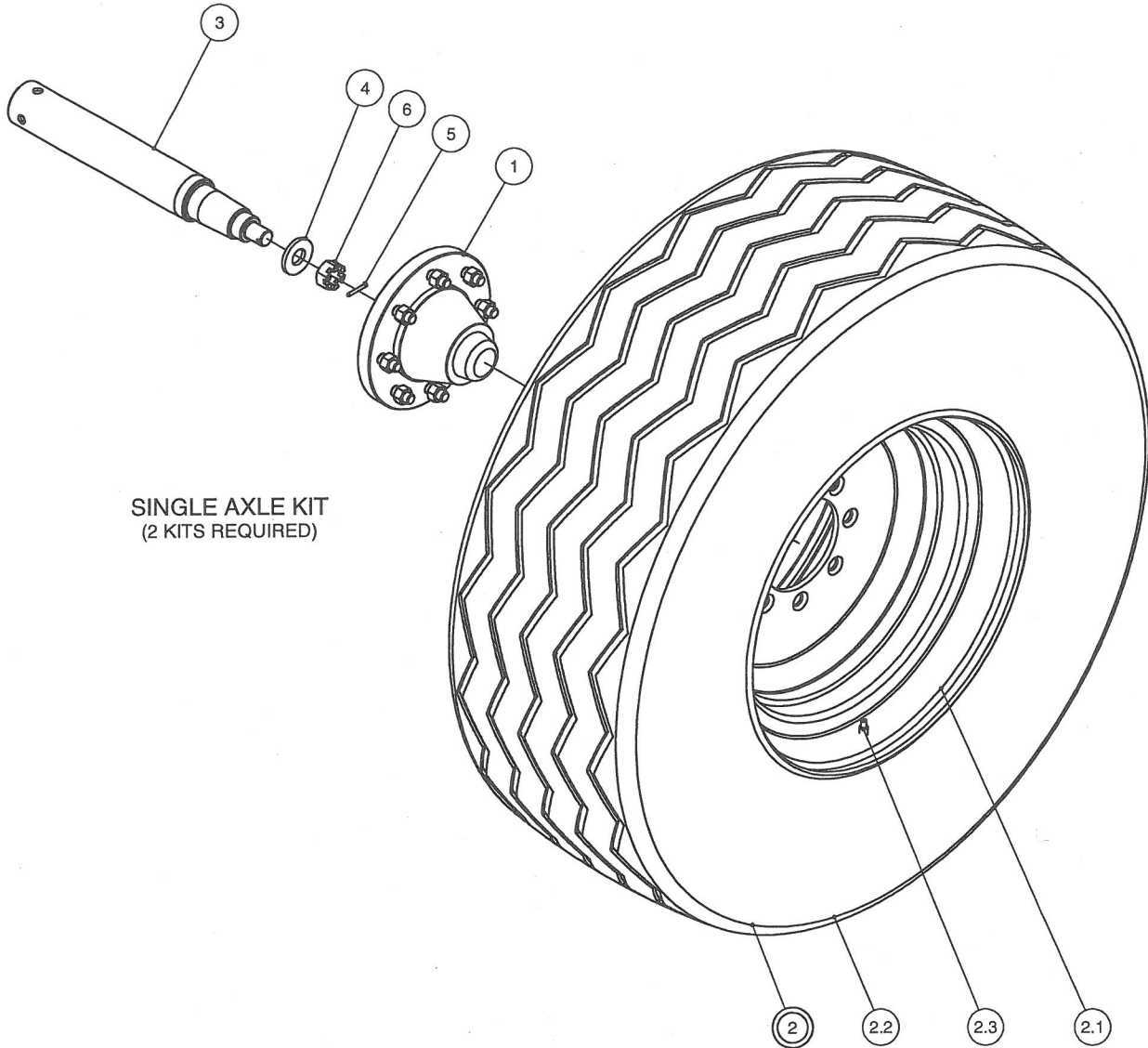
## TANDEM AXLE KIT

PARTS LIST			
ITEM	PART NUMBER	DESCRIPTION	QTY
1	200-02-01-000	WALKING BEAM ASSY	2
1.1	200-02-01-011	WALKING BEAM	1
1.2	200-02-01-012	WALKING BEAM SLEEVE	1
1.3	200-02-01-014	TANDEM AXLE SPINDLE	2
1.4	200-02-01-013	END CAP	2
1.5	200-02-01-255	WALKING BEAM GUIDE	2
1.6	R08183	1/4" - 28 STRAIGHT GREASE FITTING	1
2	200-67-00-000	STUB SHAFT ASSY-2003	2
2.1	200-67-00-289	STUB SHAFT	1
2.2	200-02-02-016	STUB SHAFT STOP	1
3	300-27-00-000	8 - BOLT HUB COMPLETE	4
4	365-61-00-000	12.5L X 15 - 10 PLY TIRE ASSY	4
4.1	R20035	12.5L X 15 10PLY TIRE	1
4.2	R20049	15 X 10 X 8 BOLT WHEEL	1
4.3	R20020	VALVE STEM	1
5	200-00-00-189	UHMW GUIDE PLATE	4
6	R20117	SPINDLE NUT	4
7	R20118	SPINDLE WASHER	4
8	R07943	3/16 x 1 1/2 ROLL PIN	4
9	R08156	3/8 x 1" FLAT SLOT HEAD MACHINE SCREW	12
10	R07783	3/8-16 UNC HEX NUT	12
11	R07803	3/8" LOCK WASHER	12



PARTS LIST			
ITEM	PART NUMBER	DESCRIPTION	QTY
1	300-27-00-574	8 - BOLT HUB COMPLETE	1
1.1	R20112	INNER CUP	1
1.2	R20113	OUTER CUP	1
1.3	R20111	5/8 x 18 UNF WHEEL NUT	8
1.4	R20126	8 BOLT HUB LESS CUPS	1
1.5	R20124	5/8 - 18 UNF x 2 3/8 WHEEL BOLT	8
2	R20114	INNER CONE	1
3	R20115	OUTER CONE	1
4	R20116	HUB SEAL	1
5	R20119	DUST CAP	1

# SINGLE AXLE KIT



PARTS LIST			
ITEM	PART NUMBER	DESCRIPTION	QTY
1	300-27-00-000	8 - BOLT HUB COMPLETE	1
2	340-55-00-000	18 x 22.5 TRUCK TIRE, TUBE & WHEEL	1
2.1	R20058	8 BOLT WHEEL 13.5 x 22.5	1
2.2	R20011	18 x 22.5 USED TRUCK TIRE	1
2.3	R20050	VALVE STEM FOR TRUCK TIRE	1
3	200-00-00-288	SINGLE AXLE SPINDLE	1
4	R20118	SPINDLE WASHER	1
5	R07943	3/16 x 1 1/2 ROLL PIN	1
6	R20117	SPINDLE NUT	1