

Jan 21, 2002

Jan 24 - 21 made  
Oct 11 - 5 "  
July 21/04 - 4 "

**HUSKY FARM EQUIPMENT LIMITED**  
**SOFT HOSE REEL PARTS BOOK & OPERATING INSTRUCTIONS**

Date Purchased \_\_\_\_\_

Size of Reel \_\_\_\_\_

**HUSKY DRAG HOSE REEL**  
**OPEN STYLE**

\_\_\_\_\_  
\_\_\_\_\_

- OPERATING INSTRUCTIONS ARE SHOWN BELOW:

Hydraulic drive - make sure hoses are in good shape, clean ends before installing on tractor.

Stop tractor before attempting to service machine in any way.

Always fasten reel to tractor and apply brakes while reeling in hose.

Always have man on tractor while hose is reeling in or out.

For free wheeling, tie hose to a stationary object and remove free wheeling pin, then drive slowly as the hose unreels.

Adjust spring loaded brake so the reel won't reel out uncontrollably.

Always check wheel bolts and axle bolts as well as tire pressure before operating.

Never try to reel up more than 660 feet of hose on one pull. Never try to pull a full hose, make sure hose has been emptied before pulling in.

Always back up to get a few wraps on hose on drum before pulling hose tight, otherwise it will pull end off hose.

Check fields for sharp stones or objects before dragging hose.

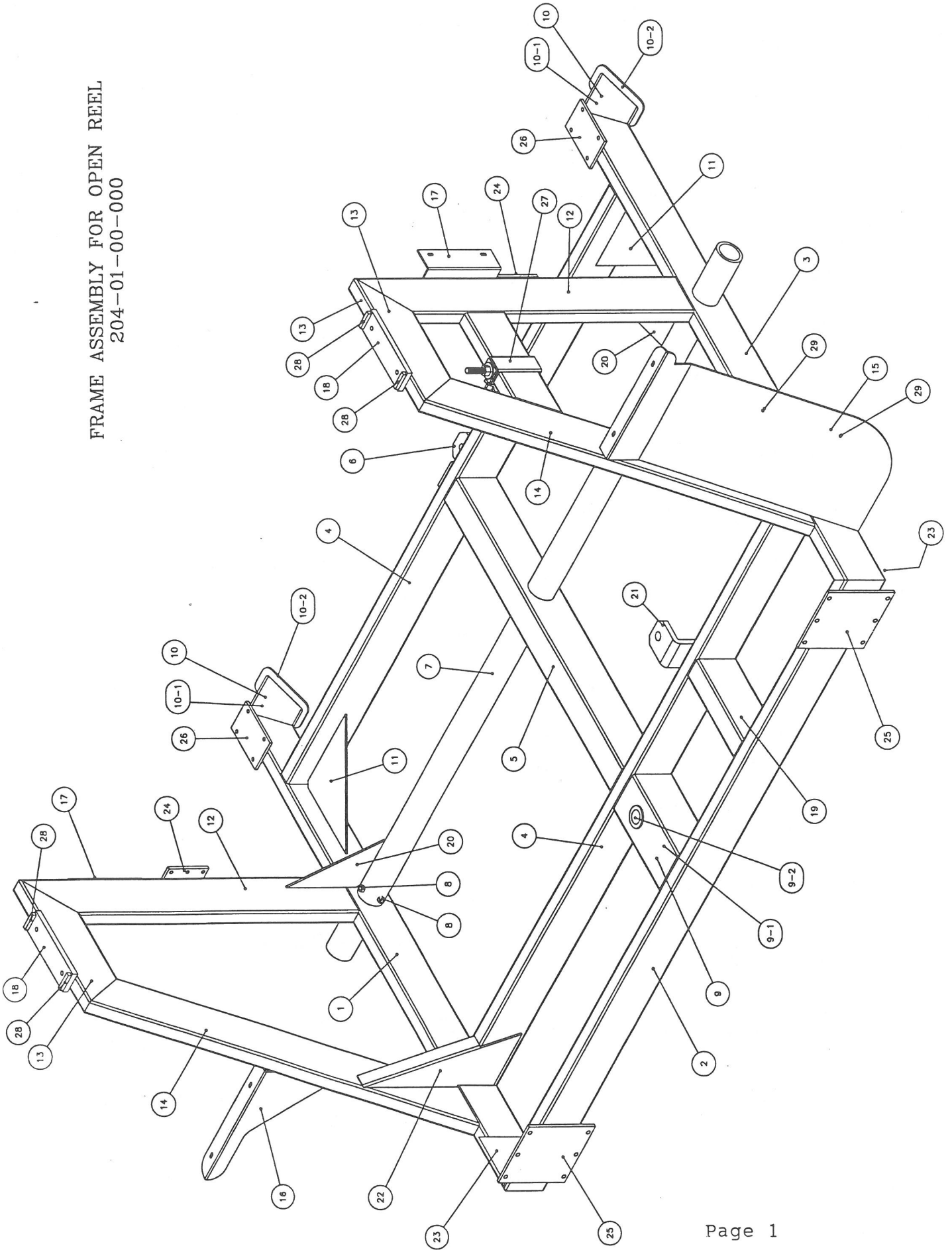
Always make tight turns when dragging hose while spreading. If too wide a turn is made, hose may flip over and wind up.

When spreading manure with drag hose always have an operator at high pressure pump to shut unit down if hose breaks, or have a radio controlled kill switch on pump tractor to avoid spills.

If spill does occur and there is a danger that water ways will be contaminated, contact authorities immediately, they will help direct the clean up. In Canada call 1-800-268-6060.

Read safety manual. Always beware of manure gas, never enter a manure tank. **"Gas can Kill"**.

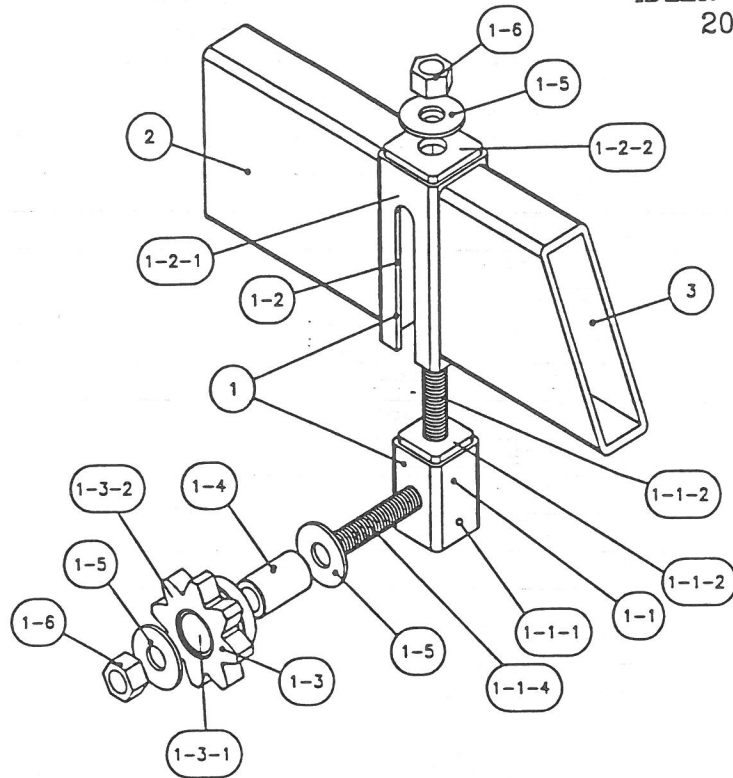
FRAME ASSEMBLY FOR OPEN REEL  
204-01-00-000



# OPEN REEL FRAME ASSY

Item	Name	Description	Qty
1	200-24-00-143	RH FRAME SIDE	1
2	204-01-00-002	FRAME FRONT	1
3	200-24-00-144	LH FRAME SIDE	1
4	204-01-00-003	FRAME CROSS PC	2
5	200-24-00-135	CENTER BEAM	1
6	204-01-00-005	REAR HITCH PLATE	1
7	204-01-00-004	AXLE TUBE	1
8	R07785	1/2" HEX NUT	4
9	204-01-09-000	SPACER TUBE W/SLEEVE ASSY	1
9-1	204-01-00-007	CENTER SPACER TUBE	1
9-2	200-03-00-018	PIVOT SLEEVE	1
10	200-37-03-000	FOOT AND FRAME PC ASSY	2
10-1	200-24-00-141	FRAME ANGLE PC	2
10-2	200-24-00-142	FOOT	2
11	200-01-00-003	GUSSET	2
12	200-01-00-007	REAR VERTICAL TUBE	2
13	200-01-00-009	TOP CROSS TUBE	2
14	200-01-00-008	FRONT VERTICAL TUBE	2
15	200-37-00-247	SPLASH GUARD BRKT	1
16	200-01-00-050	RH TOOL BOX BRKT	1
17	200-24-00-205	REAR TOOL BOX BRKT	2
18	200-37-00-221	BRG BOLT PLATE	2
19	204-01-00-038	SUPPORT TUBE	1
20	200-24-00-175	REAR VERTICAL FRAME GUSSET	2
21	204-01-00-006	CYLINDER LUG	1
22	200-24-00-174	RH VERTICAL FRAME GUSSET	1
23	200-24-00-215	FRAME GUSSET	3
24	204-01-00-008	VERTICAL BOLT PLATE	2
25	204-01-00-001	TONGUE BOLT PLATE	2
26	204-01-00-009	HOLD DOWN PLATE	2
27	200-37-05-000	IDLER AND MOUNT ASSY	1
28	200-24-00-181	BEARING STOP	4
29	R08301	1/4-20 X 1/2" WELD STUD	2

IDLER AND MOUNT ASSY  
200-37-00-000

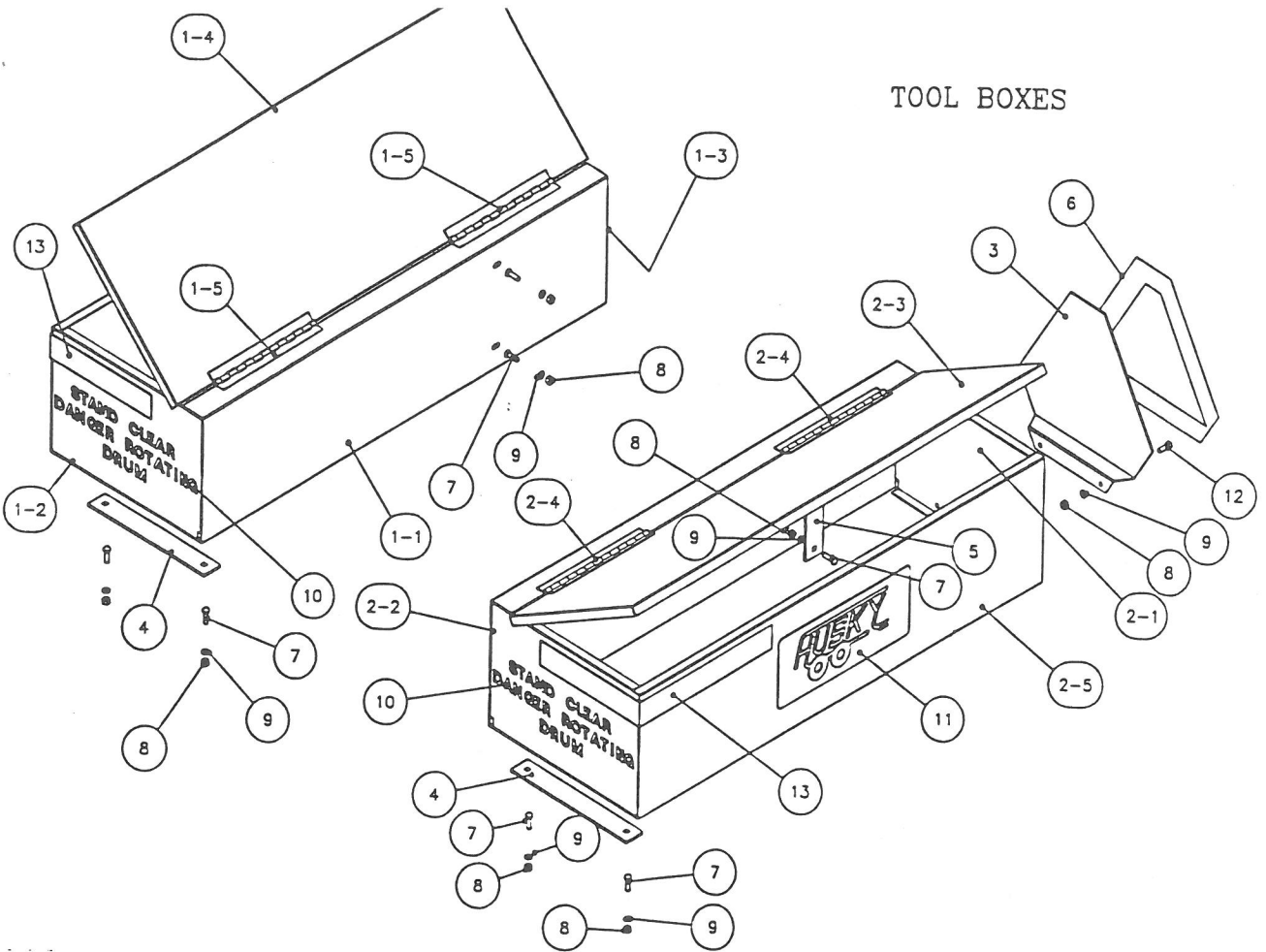


**IDLER AND MOUNT ASSY 200-37-05-000**

Item	Name	Description	Qty
1	200-11-00-000	CHAIN TIGHTENER KIT	1
1-1	200-11-01-000	TIGHTENER INNER TUBE ASSY	1
1-1-1	200-11-01-054	INSIDE TUBE	1
1-1-2	200-11-01-055	INNER TUBE CAP	1
1-1-3	200-11-01-058	TIGHTENER ROD	1
1-1-4	200-11-01-059	IDLER STUD	1
1-2	200-11-02-000	TIGHTENER OUTER TUBE ASSY	1
1-2-1	200-11-02-056	OUTER TUBE	1
1-2-2	200-11-02-057	OUTER TUBE CAP	1
1-3	200-11-03-000	IDLER SPROCKET ASSY	1
1-3-1	R20255	1 1/2 OD X 1 1/4 ID X 1 1/2" LONG BUSHING	1
1-3-2	200-11-00-192	IDLER SPROCKET	1
1-4	460-00-00-035	BUSHING	1
1-5	R07827	3/4" FLAT WASHER	3
1-6	R07878	3/4" NYLOC HEX NUT	2
2	200-37-05-257	RH IDLER MOUNT	1
3	200-37-05-258	LH IDLER MOUNT	1

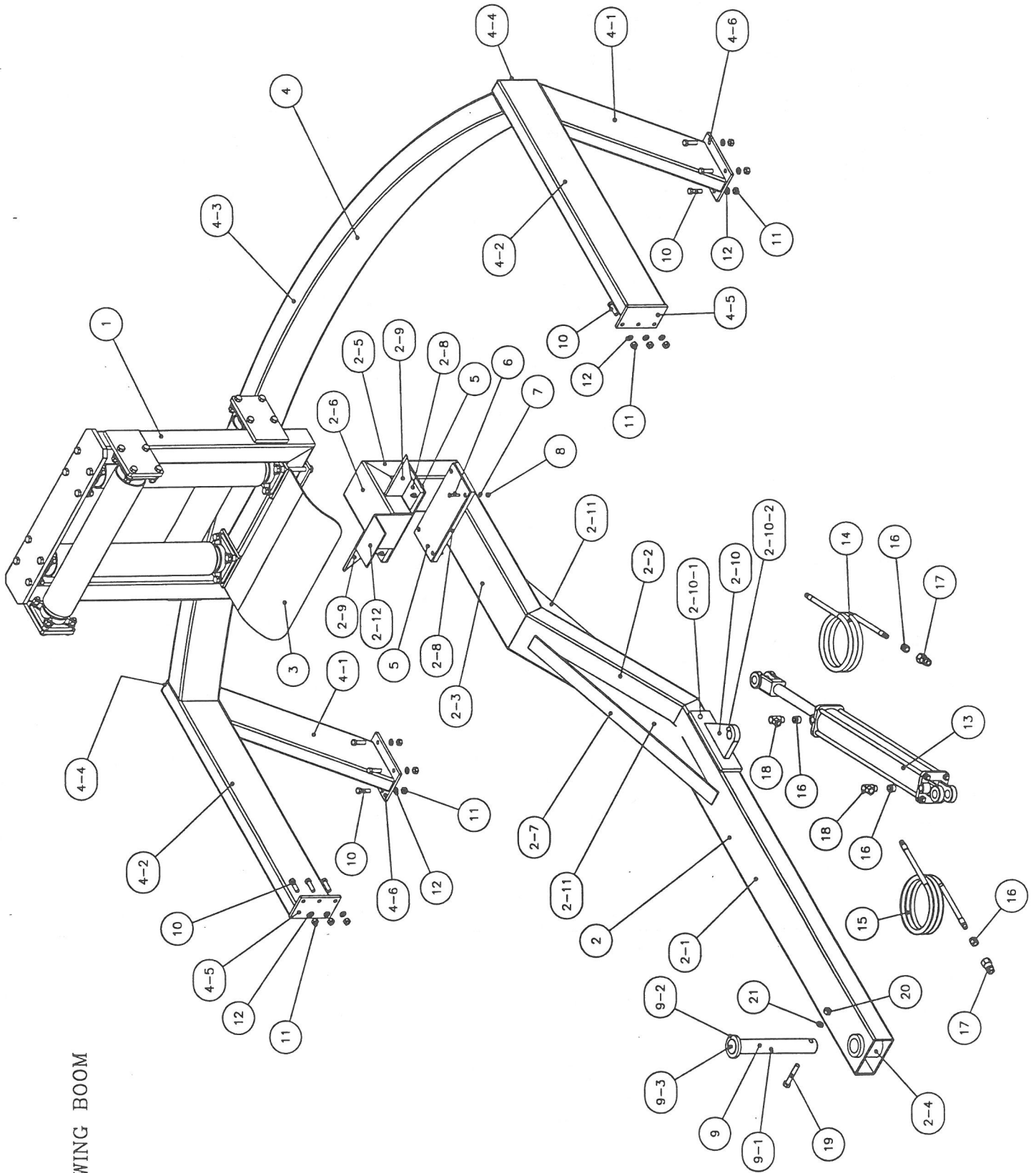


TOOL BOXES



TOOL BOXES

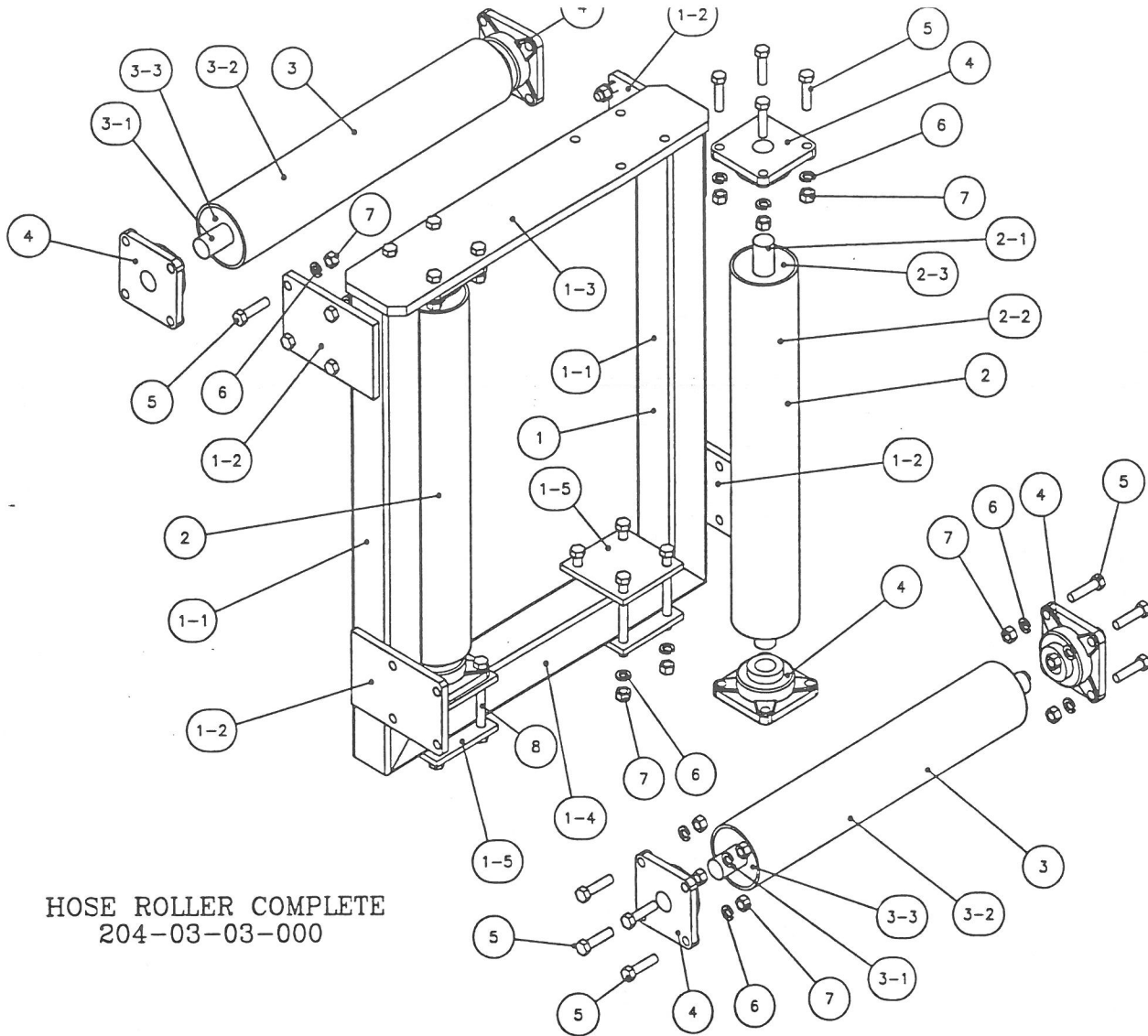
Item	Name	Description	Qty
1	200-10-00-000	RH TOOL BOX ASSY	1
1-1	200-10-00-045	RH TOOL BOX BODY	1
1-2	200-10-00-046	TOOL BOX RH SIDE	1
1-3	200-10-00-047	TOOL BOX LH SIDE	1
1-4	200-10-00-048	TOOL BOX LID	1
1-5	200-10-00-049	TOOL BOX HINGE	2
2	200-33-00-000	LH TOOL BOX ASSY	1
2-1	200-33-00-188	TOOL BOX RH SIDE	1
2-2	200-10-00-047	TOOL BOX LH SIDE	1
2-3	100-10-00-048	TOOL BOX LID	1
2-4	200-10-00-049	TOOL BOX HINGE	2
2-5	200-33-00-186	LH TOOL BOX BODY	1
3	200-00-00-132	SMV SIGN HOLDER	1
4	200-00-00-158	TOOL BOX REINFORCING BAR	2
5	200-00-00-244	VERTICAL TOOL BOX REINFORCING STRAP	2
6	R09501	SLOW MOVING VEHICLE SIGN	1
7	R07722	3/8 X 1 1/4" CARRIAGE BOLT	8
8	R07783	3/8" HEX NUT	10
9	R07803	3/8" LOCK WASHER	10
10	R09654	"STAND CLEAR" DECAL	2
11	R09502	"HUSKY" DECAL	2
12	R07619	3/8 X 1" CARRIAGE BOLT	2
13	R10361	REFLECTIVE TAPE	2



SWING BOOM

# SWING BOOM

Item	Name	Description	Qty
1	204-03-03-000	HOSE ROLLER ASSY COMPLETE	1
2	204-03-01-000	SWING ARM ASSY	1
2-1	204-03-01-014	MAIN PIVOT ARM	1
2-2	204-03-01-015	ANGLE TUBE	1
2-3	204-03-01-016	HORIZONTAL TUBE	1
2-4	204-03-01-017	PIVOT TUBE SLEEVE	1
2-5	204-03-01-018	VERTICAL TUBE	1
2-6	204-03-01-019	TOP TUBE	1
2-7	204-03-01-024	BAR	1
2-8	204-03-01-020	SUPPORT PLATE	2
2-9	204-03-01-021	SUPPORT PLATE GUSSET	2
2-10	204-03-02-000	CYLINDER LUG ASSY	1
2-10-1	204-03-02-025	LUG BACK PLATE	1
2-10-2	368-54-00-295	CYLINDER LUG	1
2-11	204-03-01-023	LARGE GUSSET	2
2-12	204-03-01-022	TUBE CAP	1
3	204-03-00-064	HOSE GUARD	1
4	204-02-00-000	SUPPORT FRAME ASSY	1
4-1	204-02-00-010	ANGLE BRACE	2
4-2	204-02-00-011	HORIZONTAL BRACE	2
4-3	204-02-00-012	RADIUS TUBE	1
4-4	204-02-00-013	CAP	2
4-5	204-01-00-008	VERTICAL BOLT PLATE	2
4-6	204-01-00-009	HOLD DOWN PLATE	2
5	204-03-00-036	UHMW WEAR PLATE	2
6	R08158	1/4 X 1 1/2" FLAT HEAD MACHINE SCREW	8
7	R07801	1/4" LOCK WASHER	8
8	R07781	1/4" NC HEX NUT	8
9	204-04-00-000	HINGE PIN ASSY	1
9-1	204-04-00-037	HINGE PIN	1
9-2	200-09-00-043	TONGUE PIN WASHER	1
9-3	R08186	1/8" NPT GREASE FITTING	1
10	R07629	7/16 X 1 1/2" HEX BOLT	14
11	R07784	7/16" NYLOC HEX NUT	14
12	R07804	7/16" LOCK WASHER	14
13	R20732	2 X 20" HYDRAULIC CYLINDER	1
14	246-52-00-000	HYDRAULIC HOSE ASSY 4935 O/A LONG	1
15	252-49-00-000	HYDRAULIC HOSE ASSY 4335 O/A LONG	1
16	R02043	1/2 X 3/8" BUSHING	4
17	R21342	PIONEER END	2
18	R21366	1/2 X 90 STR ELBOW	2
19	R07641	1/2 X 3" HEX BOLT	1
20	R07785	1/2" HEX NUT	1
21	R07805	1/2" LOCK WASHER	1

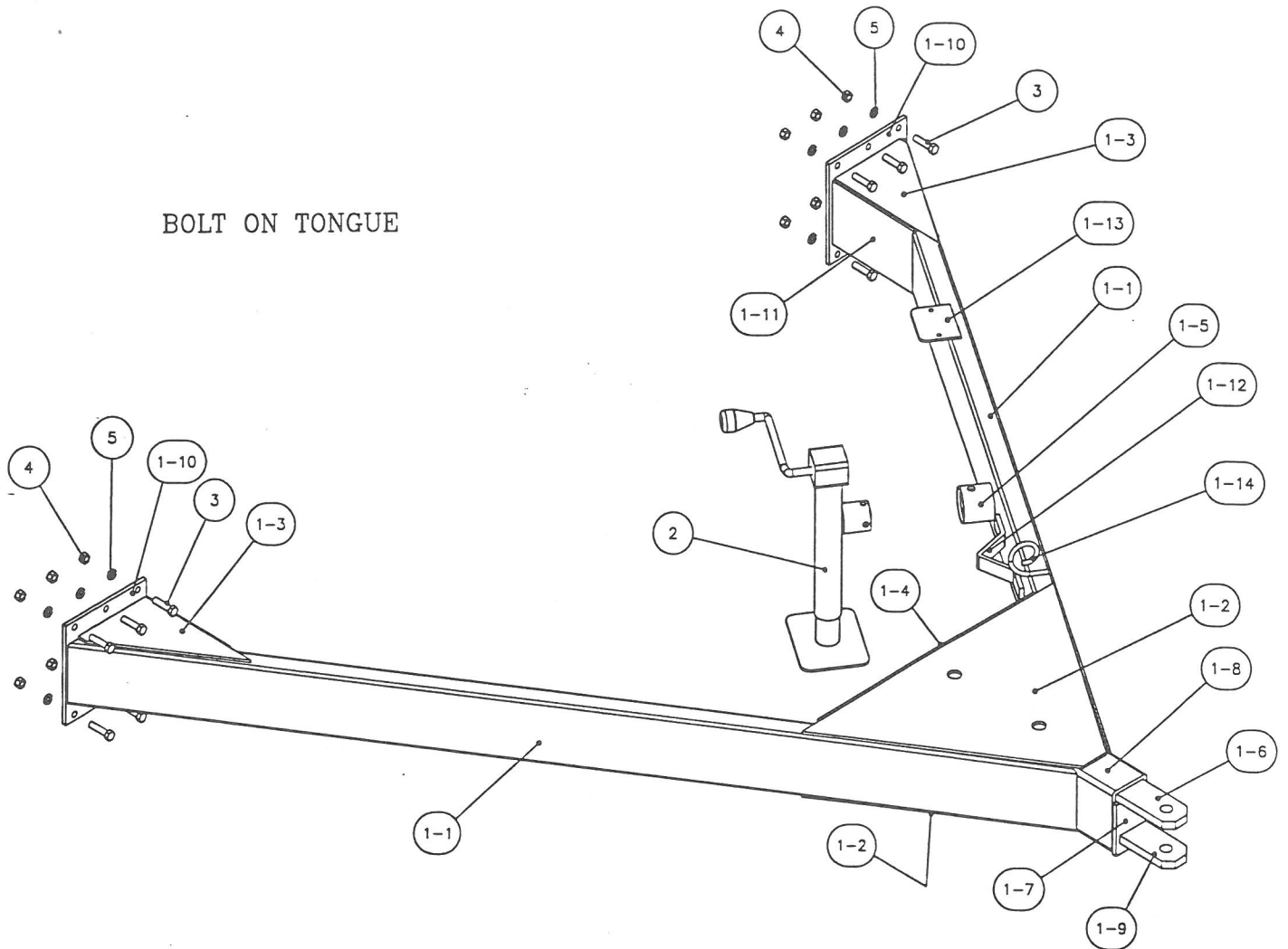


HOSE ROLLER COMPLETE  
204-03-03-000

### HOSE ROLLER COMPLETE 204-03-03-000

Item	Name	Description	Qty
1	204-03-04-000	ROLLER FRAME ASSY	1
1-1	204-03-04-026	SIDE TUBE	2
1-2	204-03-04-027	BEARING HOLDER	4
1-3	204-03-04-028	TOP PLATE	1
1-4	204-03-04-029	LOWER TUBE	1
1-5	204-03-04-030	BEARING SUPPORT	4
2	204-03-05-000	VERTICAL ROLLER ASSY	2
2-1	204-03-05-032	LONG ROLLER SHAFT	2
2-2	204-03-05-031	LONG ROLLER	2
2-3	204-03-05-033	ROLLER CAPS	4
3	204-03-06-000	HORIZONTAL ROLLER ASSY	2
3-1	204-03-06-035	SHORT ROLLER SHAFT	2
3-2	204-03-06-034	SHORT ROLLER	2
3-3	204-03-05-033	ROLLER CAPS	4
4	R20184	1 1/4" FLANGE BRG	8
5	R07639	1/2 X 2" HEX BOLT	24
6	R07805	1/2" LOCK WASHER	32
7	R07785	1/2" HEX NUT	32
8	R07644	1/2 X 5" HEX BOLT	8

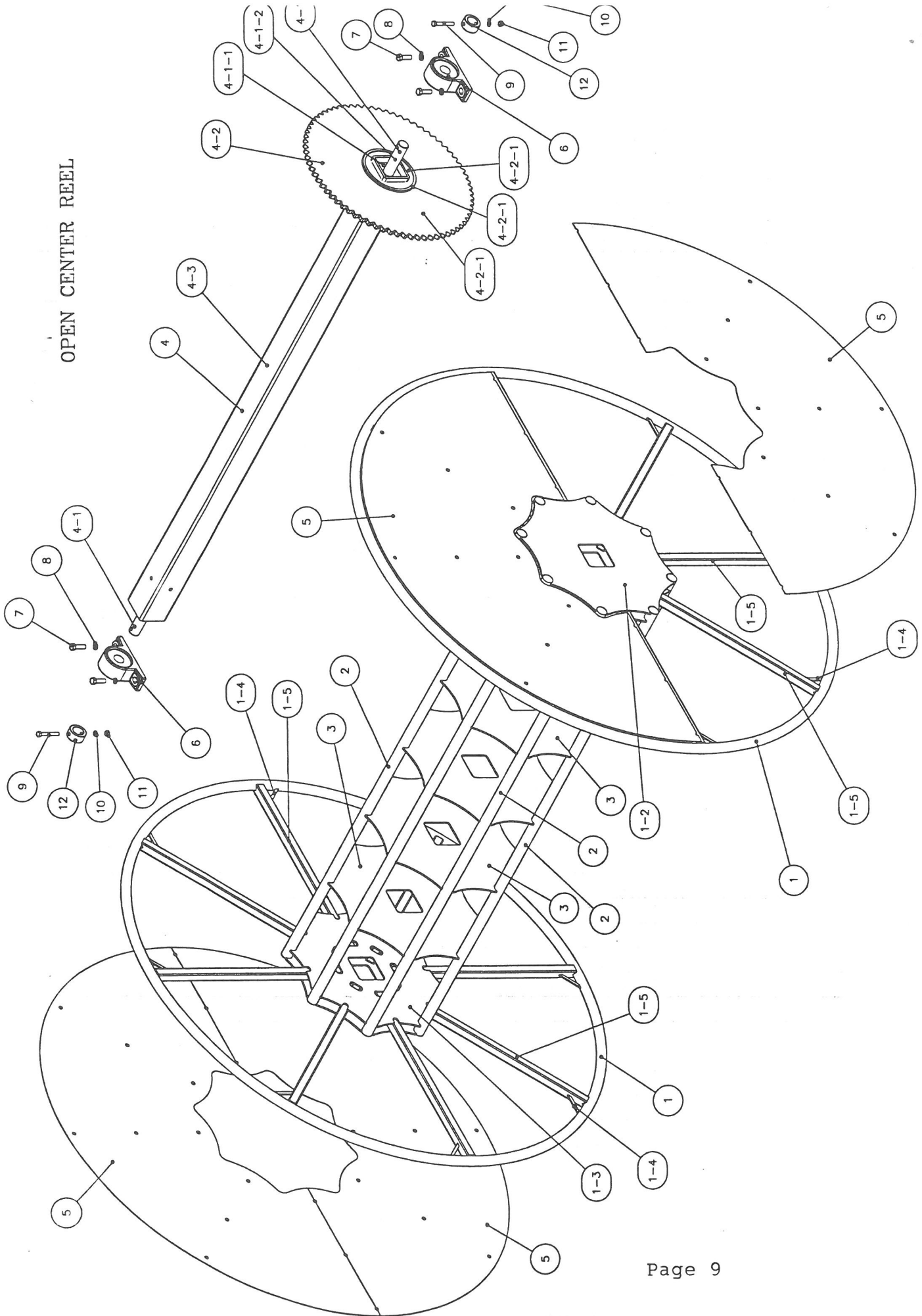
## BOLT ON TONGUE



## BOLT ON TONGUE

Item	Name	Description	Qty
1	204-05-00-000	BOLT ON TONGUE ASSY	1
1-1	204-05-00-047	ANGLE TUBE	2
1-2	204-05-00-049	TONGUE GUSSET	2
1-3	204-05-00-051	CORNER GUSSET	4
1-4	204-05-00-050	FILLER PLATE	1
1-5	364-35-00-245	TONGUE JACK BRKT	1
1-6	200-03-00-019	HITCH TOP PC	1
1-7	200-03-00-021	HITCH CAP	1
1-8	204-05-00-048	TONGUE TUBE	1
1-9	200-03-00-020	HITCH BOTOM PC	1
1-10	204-01-00-001	TONGUE BOLT PLATE	2
1-11	204-05-00-052	CORNER GUSSET FILLER	2
1-12	204-05-00-072	LIFT HOOK	2
1-13	204-05-00-073	RELIEF VALVE CONTROL PLATE	1
1-14	296-25-00-090	HYDRAULIC HOSE HOLDER	1
2	R09751	7000 LB SIDE WIND JACK	1
3	R07639	1/2 X 2" HEX BOLT	12
4	R07785	1/2" HEX NUT	12
5	R07805	1/2" LOCK WASHER	12

OPEN CENTER REEL





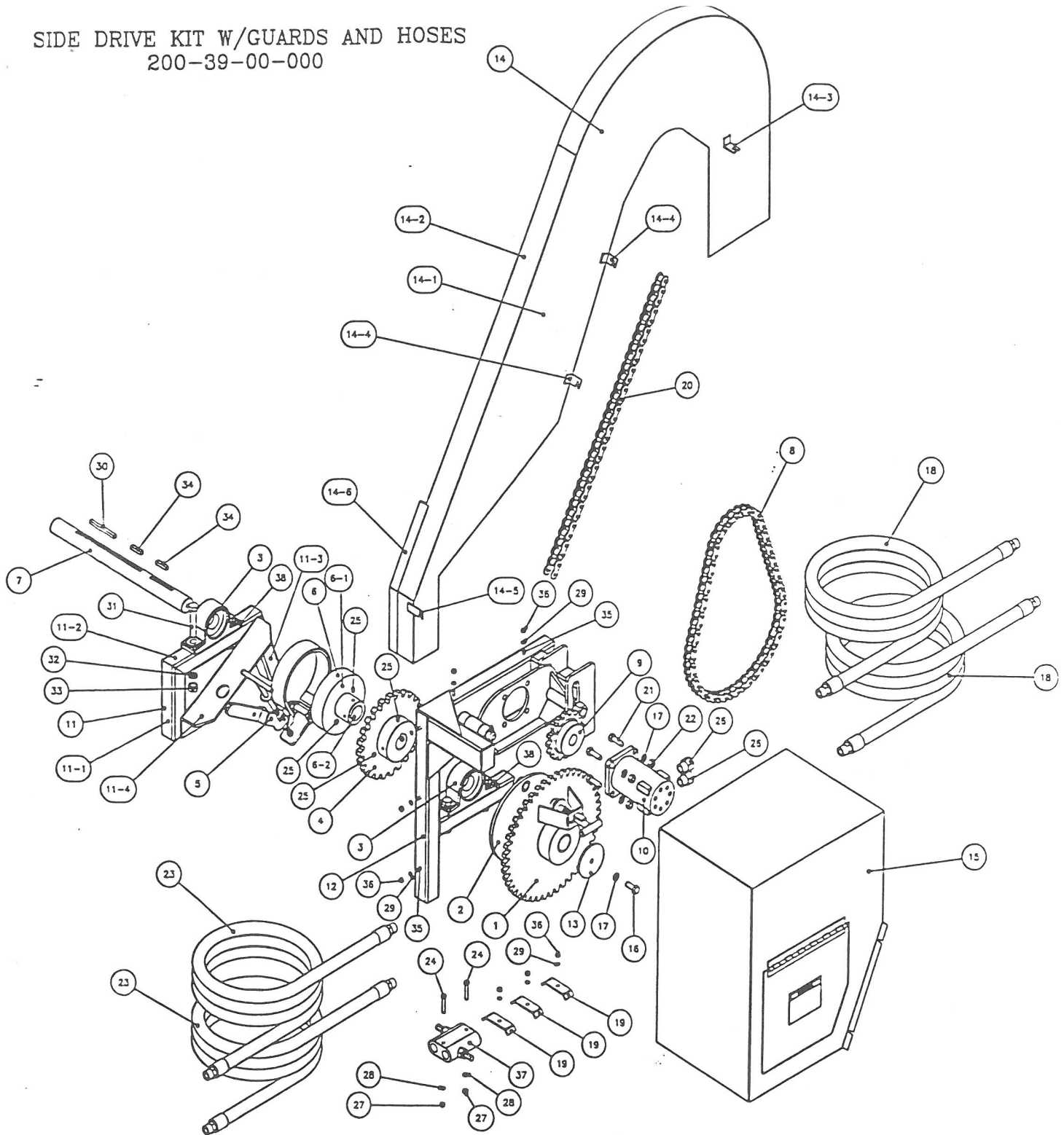
## OPEN CENTER REEL

Item	Name	Description	Qty
1	200-34-01-000	REEL ASSY	2
1-1	200-06-00-035	INNER REEL	2
1-2	200-34-01-196	REEL OUTER PLATE	2
1-3	200-34-01-197	REEL INNER PLATE	2
1-4	200-05-00-031	STRAP HOOK	16
1-5	200-34-01-198	INNER SPOKE	16
2	204-06-00-053	CROSS SHAFT	8
3	200-34-01-196	REEL OUTER PLATE	5
4	204-06-01-000	CROSS TUBE ASSY	1
4-1	200-07-01-000	STUB SHAFT ASSY	2
4-1-1	200-07-01-039	SHAFT STUB PLATE	4
4-1-2	200-07-01-038	STUB SHAFT	2
4-2	204-06-02-000	HUB AND SPROCKET ASSY	1
4-2-1	200-25-01-154	100 A -72 SPROCKET	1
4-2-2	200-25-01-153	LARGE TUBE DISC	2
4-2-3	204-06-02-054	SPROCKET HUB	1
4-3	204-06-01-055	CROSS TUBE	1
5	200-34-00-200	OUTER REEL SHIELD	4
6	R20177	1 3/4" HD PILLOW BLOCK BEARING	2
7	R07647	5/8 X 2" HEX BOLT	4
8	R07806	5/8" LOCK WASHER	4
9	R07642	1/2 X 3 1/2" HEX BOLT	2
10	R07805	1/2" LOCK WASHER	2
11	R07785	1/2" HEX NUT	2
12	200-00-00-214	SHAFT COLLAR	2

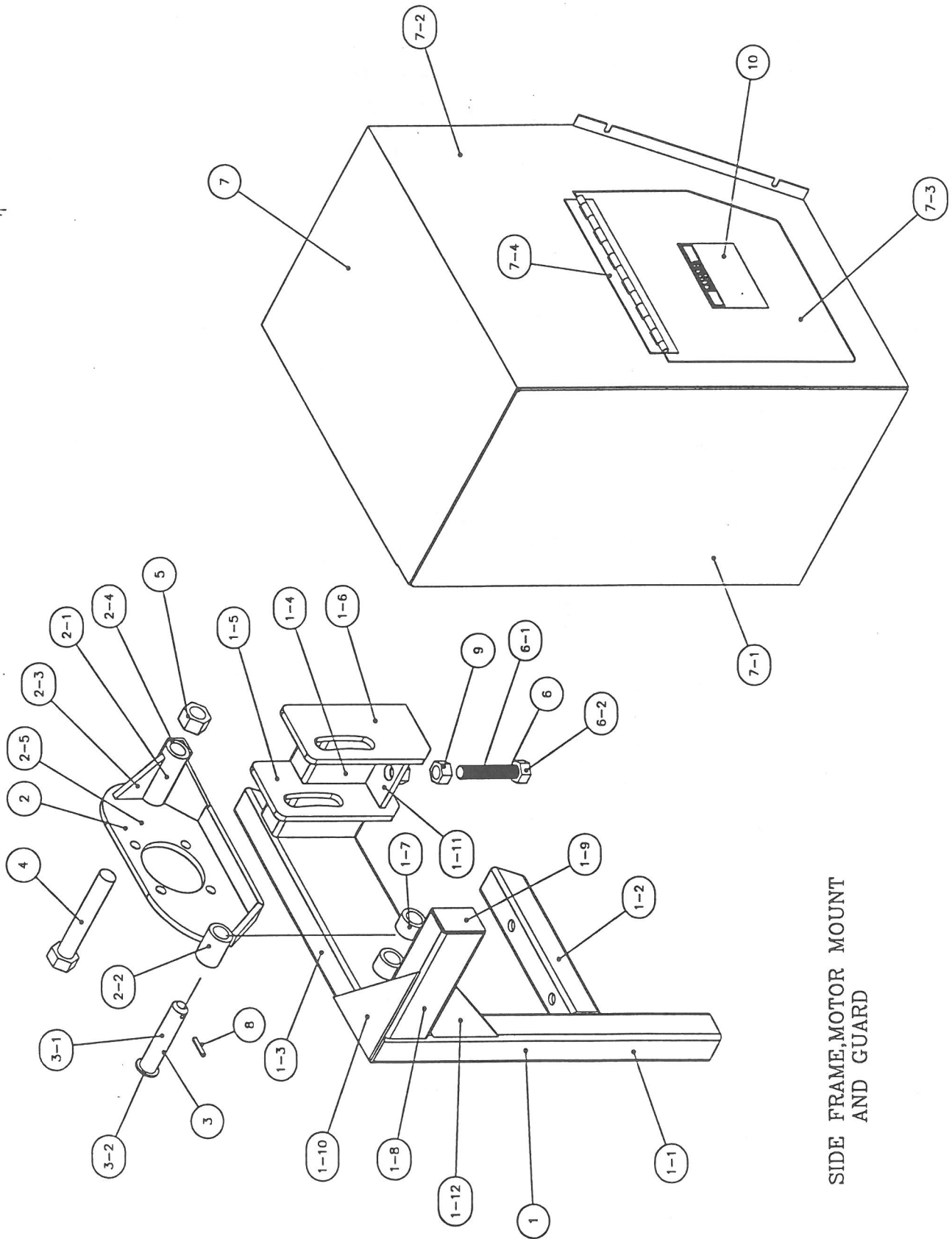
## SIDE DRIVE KIT W/GUARDS & HOSES 200-39-00-000

Item	Name	Description	Qty
1	200-31-00-000	DRIVE SPROCKET ASSY	1
2	200-30-00-000	DRIVE PLATE ASSY	1
3	R20169	1 3/4" PILLOW BLOCK BRG	2
4	R20928	100 B24 SPROCKET W/ 1 3/4" BORE	1
5	200-12-00-000	BRAKE KIT	1
6	200-32-00-000	BRAKE DISC AND HUB ASSY	1
6-1	200-32-00-178	BRAKE DISC	1
6-2	200-32-00-179	BRAKE DISC HUB	1
7	200-39-00-245	SPROCKET SHAFT	1
8	200-00-00-190	#80 ROLLER DRIVE CHAIN W/CONN LINK	1
9	R20655	80 B16 SPROCKET	1
10	R22240	109-1106 HYDRAULIC MOTOR	1
11	200-39-02-000	BEARING AND BRAKE MOUNT ASSY	1
11-1	200-39-02-231	SHORT VERTICAL POST	1
11-2	200-39-02-232	BRG CROSS TUBE	1
11-3	200-39-02-233	ANGLE POST	1
11-4	200-39-02-234	BRAKE BASE PLATE	1
12	200-39-01-000	SIDE DRIVE FRAME ASSY	1
13	200-00-00-195	CLUTCH WASHER	1
14	200-39-03-000	LARGE GUARD ASSY	1
14-1	200-39-03-235	LARGE GUARD OUTER PC	1
14-2	200-39-03-236	LARGE GUARD BAND	1
14-3	200-39-03-237	CLIP	1
14-4	200-39-03-250	LH CLIP	2
14-5	200-39-03-251	STRAIGHT CLIP	1
14-6	200-39-03-252	GUARD SIDE PC	1
15	200-39-05-000	SIDE GUARD ASSY	1
16	R07674	1/2 X 1 1/4" HEX BOLT	1
17	R07805	1/2" LOCK WASHER	5
18	200-39-06-000	3/4" HYD HOSE ASSY-MOTOR TO RELIEF	2
19	351-00-0-009	HYD HOSE FASTENER	3
20	200-00-00-191	#100 ROLLER DRIVE CHAIN W/CONN LINK	1
21	R07638	1/2 X 1 1/2" HEX BOLT	4
22	R07785	1/2" HEX NUT	4
23	204-01-08-000	3/4" HYDRAULIC HOSE ASSY	2
24	R07614	5/16 X 2 1/2" HEX BOLT	2
25	R07909	3/8 X 3/8" SET SCREW	6
26	R20815	7/8-14 SAE M X 3/4" NPT ADAPTOR	2
27	R07782	5/16" HEX NUT	2
28	R07802	5/16" LOCK WASHER	2
29	R07801	1/4" LOCK WASHER	8
30	200-00-00-217	3/8" KEY-100 LONG	1
31	R07650	5/8 X 3 1/2" HEX BOLT	4
32	R07806	5/8" LOCK WASHER	4
33	R07786	5/8" HEX NUT	4
34	200-00-00-218	3/8" KEY-40 LONG	2
35	R08301	1/4-20 X 1/2" WELD STUD	5

SIDE DRIVE KIT W/GUARDS AND HOSES  
200-39-00-000



Item	Name	Description	Qty
36	R07781	1/4" NC HEX NUT	8
37	R21249	3/4" DUAL PUPPET RELIEF VALVE	1
38	200-00-00-260	BEARING STOP	2

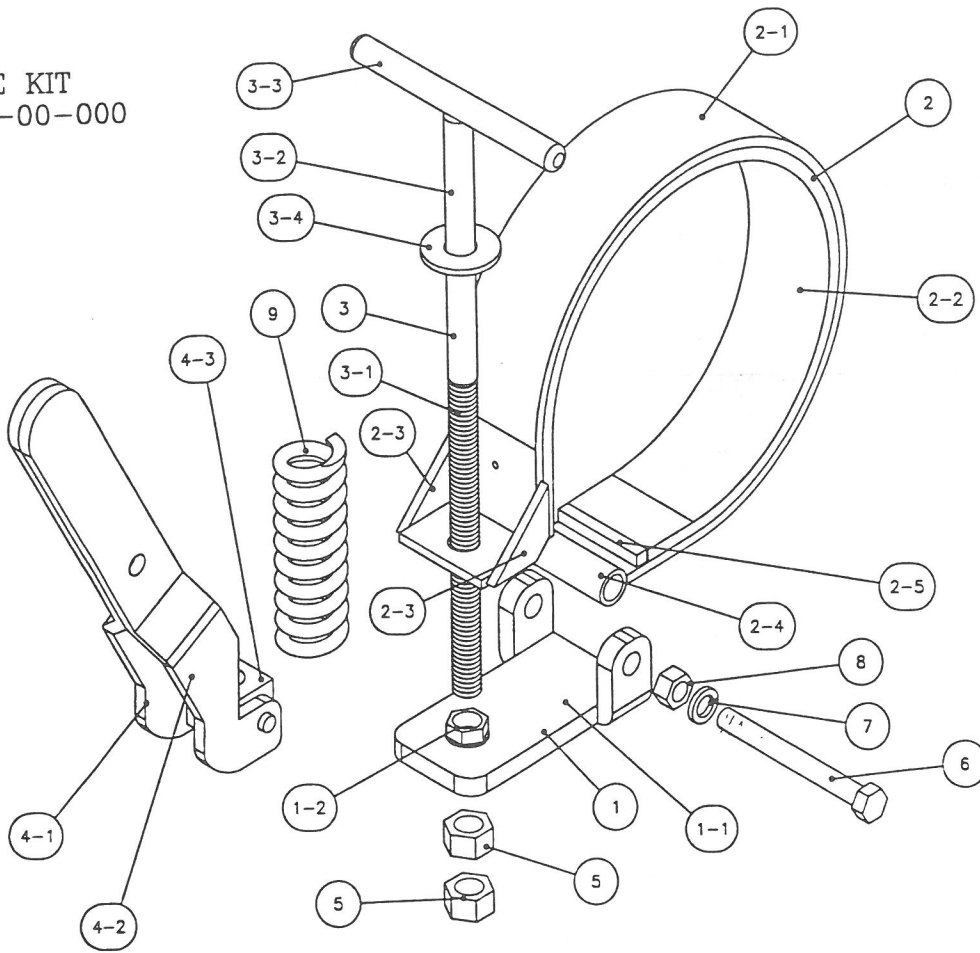


SIDE FRAME, MOTOR MOUNT  
AND GUARD

## SIDE FRAME ,MOTOR MOUNT & GUARD

Item	Name	Description	Qty
1	200-39-01-000	SIDE DRIVE FRAME ASSY	1
1-1	200-39-01-222	VERTICAL POST	1
1-2	200-39-01-223	HORIZONTAL POST	1
1-3	200-39-01-224	HORIZONTAL TUBE	1
1-4	200-39-01-225	STUB TUBE	1
1-5	200-22-00-209	TIGHTENER BRKT	1
1-6	200-39-01-226	CAP BRKT	1
1-7	200-22-02-000	BUSHING HOLDER ASSY	1
1-8	200-39-01-227	FRONT STUB TUBE	1
1-9	200-39-01-228	END CAP	1
1-10	200-39-01-229	TOP GUSSET	1
1-11	200-22-12-000	TIGHTENER BRKT ASSY	1
1-11-1	R07787	3/4" HEX NUT	1
1-11-2	200-22-12-219	TIGHTENER BRKT	1
1-12	200-39-01-230	FRONT GUSSET	1
2	204-01-06-000	HYDRAULIC MOTOR MOUNT ASSY	1
2-1	200-22-11-211	MOTER MOUNT LONG SLEEVE	1
2-2	200-22-03-104	MOUNT PLATE SLEEVE	1
2-3	200-22-11-212	SLEEVE GUSSET	1
2-4	200-22-11-238	ANGLE SEAT	1
2-5	204-01-06-065	HYD MOTOR MOUNT-LOW RPM	1
3	200-22-09-000	HINGE PIN ASSY	1
3-1	200-22-09-130	HINGE PIN	1
3-2	R07825	1/2" FLAT WASHER	1
4	R07667	1 X 6" HEX BOLT	1
5	R07788	1" HEX NUT	1
6	200-22-08-000	TIGHTENER ROD ASSY	1
6-1	200-22-08-129	TIGHTENER ROD	1
6-2	R07787	3/4" HEX NUT	1
7	200-39-05-000	SIDE GUARD ASSY	1
7-1	200-39-05-254	SIDE GUARD END PC	1
7-2	200-39-05-253	SIDE GUARD	1
7-3	200-39-05-256	SIDE GUARD DOOR	1
7-4	200-10-00-049	HINGE	1
8	R07959	1/4 X 1 1/4 ROLL PIN	1
9	R07787	3/4" HEX NUT	1
10	R09785	"DANGER" DECAL	1

**BRAKE KIT**  
200-12-00-000

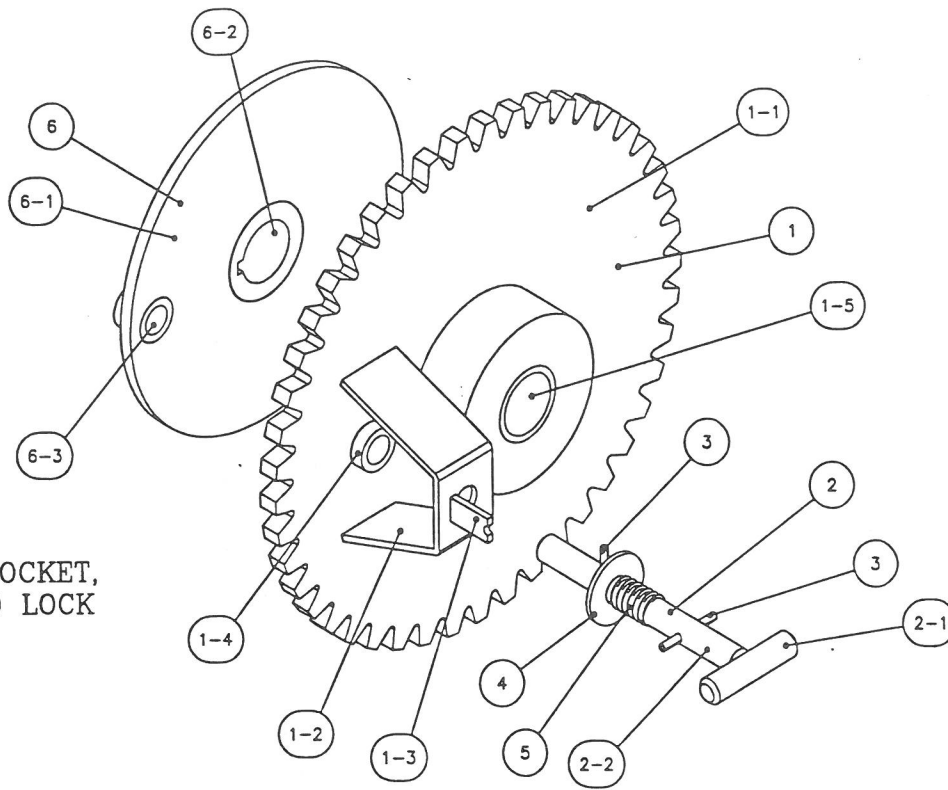


**BRAKE KIT 200-12-00-000**

Item	Name	Description	Qty
1	200-12-02-000	BRAKE MOUNT PLATE ASSY	1
1-1	200-12-02-074	MOUNT PLATE	1
1-2	R07795	1/2" FLANGE NUT	1
2	200-12-01-000	BRAKE BAND ASSY	1
2-1	200-12-01-069	BRAKE BAND	1
2-2	200-12-01-073	BRAKE LINING	1
2-3	200-12-01-070	GUSSET	2
2-4	200-12-01-071	BAND SLEEVE	1
2-5	200-12-01-072	STOP	1
3	200-12-03-000	BRAKE HANDLE ASSY	1
3-1	200-12-03-077	HANDLE REDDI THREAD	1
3-2	200-12-03-076	HANDLE EXTENSION	1
3-3	200-12-03-075	HANDLE TOP	1
3-4	R07825	1/2" FLAT WASHER	1
4	200-12-04-000	BRAKE HANDLE ASSY	1
4-1	200-12-04-202	RH HANDLE	1
4-2	200-12-04-203	LH HANDLE	1
4-3	200-12-04-201	HANDLE YOKE	1
5	R07785	1/2" HEX NUT	2
6	R07624	3/8 X 3 1/2" HEX BOLT	1
7	R07803	3/8" LOCK WASHER	1
8	R07783	3/8" HEX NUT	1
9	R08033	25.4 OD X 102 LONG SPRING	1



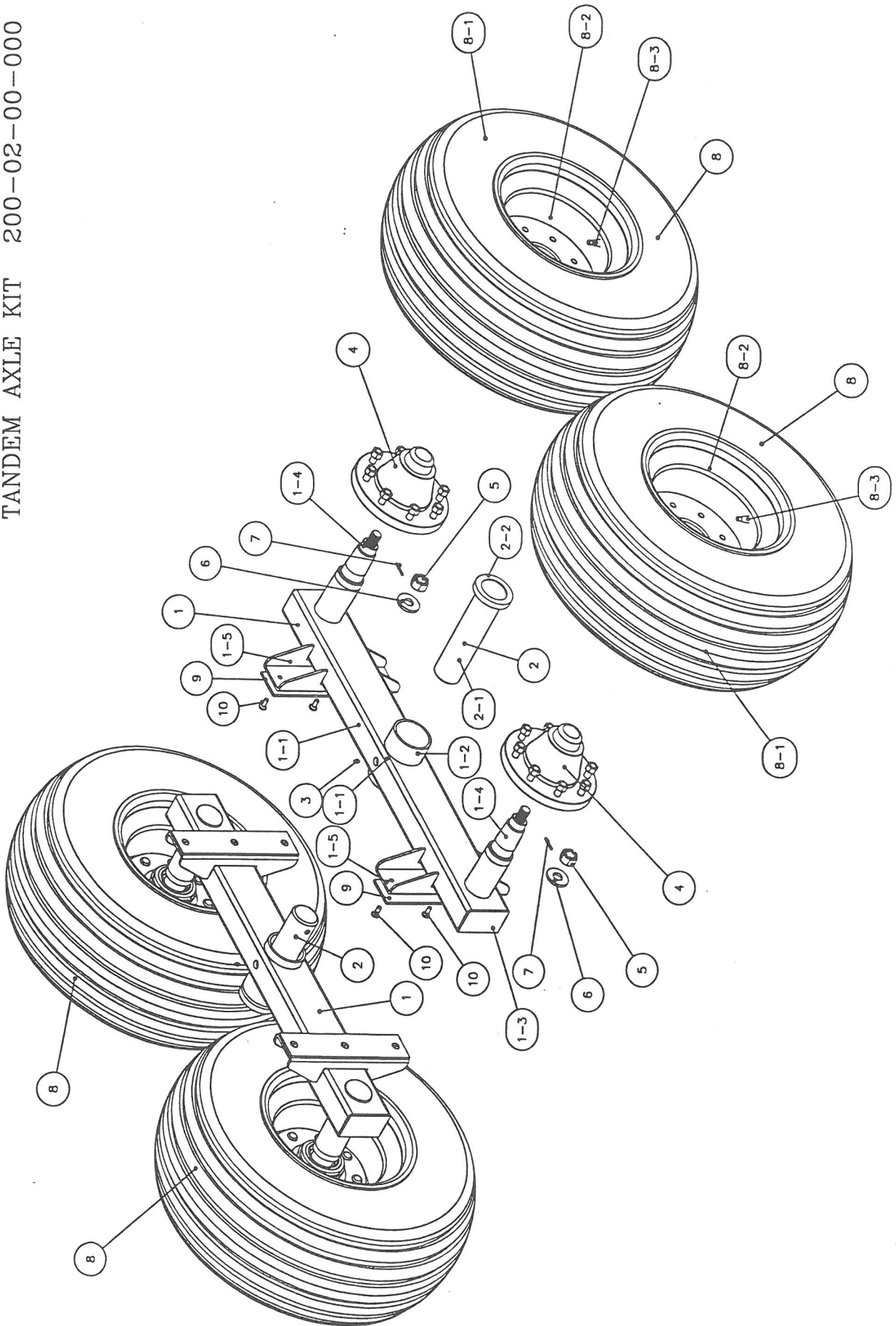
DRIVE SPROCKET,  
PLATE AND LOCK



**DRIVE SPROCKET, PLATE AND LOCK**

Item	Name	Description	Qty
1	200-31-00-000	DRIVE SPROCKET ASSY	1
1-1	200-31-00-157	DRIVE SPROCKET 80B-45	1
1-2	200-22-05-108	LOCK BRKT	1
1-3	200-22-05-109	PIN STOP	1
1-4	308-57-00-165	HARDENED BUSHING 25mm LONG	1
1-5	R21199	1 3/4 X 2 1/8" X 2" LONG BUSHING	1
2	200-22-06-000	LOCK PIN ASSY	1
2-1	200-22-06-110	HANDLE	1
2-2	200-22-06-111	LOCK PIN	1
3	R07942	1/4 X 2" ROLL PIN	2
4	R07827	3/4" FLAT WASHER	1
5	R08038	1 1/8 X 3 X .105 COMPRESSION SPRING	1
6	200-30-00-000	DRIVE PLATE ASSY	1
6-1	200-30-00-155	DRIVE PLATE	1
6-2	200-30-00-156	DRIVE PLATE HUB	1
6-3	308-57-00-165	HARDENED BUSHING 25mm LONG	1

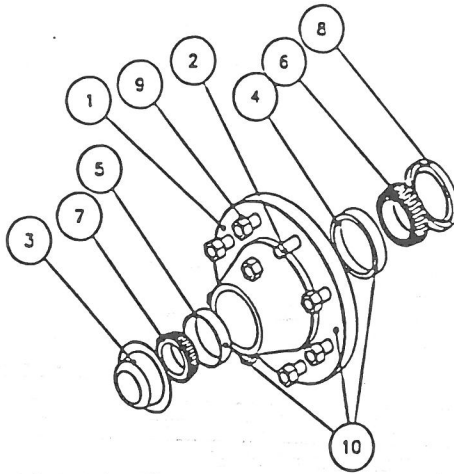
HUSKY HOSE REEL  
TANDEM AXLE KIT 200-02-00-000



# TANDEM AXLE KIT 200-02-00-000

Item	Part Number	Description	Qty
1	200-02-01-000	WALKING BEAM AXLE	2
1-1	200-02-01-011	WALKING BEAM	2
1-2	200-02-01-012	WALKING BEAM SLEEVE	2
1-3	200-02-01-013	END CAP	4
1-4	200-02-01-014	TANDEM AXLE SPINDLE	4
1-5	200-02-01-255	WALKING BEAM GUIDE	4
2	200-02-03-000	STUB SHAFT ASSY	2
2-1	200-02-03-137	STUB SHAFT	2
2-2	200-02-02-016	STUB SHAFT STOP	2
3	R08183	1/4-28 STRAUGHT GREASE FITTING	2
4	300-27-00-000	8 BOLT HUB ASSY	4
5	R20117	SPINDLE NUT	4
6	R20118	SPINDLE WASHER	4
7	R07943	3/16 X 1 1/2" ROLL PIN	4
8	365-61-00-000	12.5 X 15 10 PLY TIRE ASSY	4
8-1	R20035	12.5L X 15 10 PLY IMPLEMENT TIRE	4
8-2	R20049	15 X 10 X 8 BOLT WHEEL	4
8-3	R20020	VALVE STEM	4
9	200-00-00-189	UHMW GUIDE PLATE	4
10	R08156	3/8 X 1" FLAT SLOT HEAD MACHINE SCREW	12

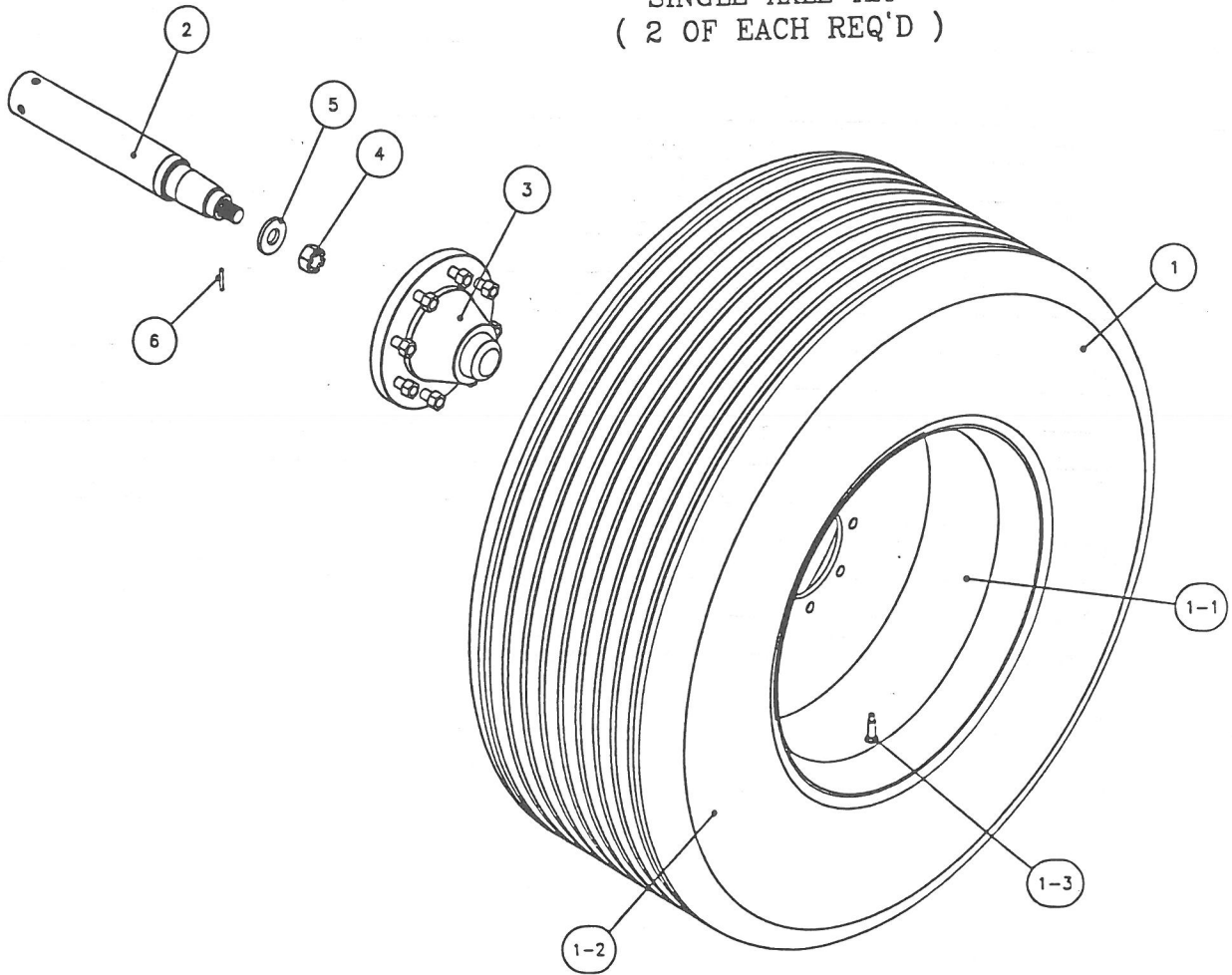
8 BOLT HUB ASSY  
300-27-00-000



## 8 BOLT HUB ASSY 300-27-00-000

Item	Name	Material	Qty
1	R20126	MARTIN 8 BOLT HUB ONLY	1
2	R20124	5/8-18 UNF SPLINE WHEEL BOLTS	8
3	R20119	D8000 DUST CAP	1
4	R20112	JLM506810 INNER CUP	1
5	R20113	LM501310 OUTER CUP	1
6	R20114	JLM506849 INNER CONE	1
7	R20115	OUTER CONE LM501349	1
8	R20116	CR27368 HUB SEAL	1
9	R20111	5/8-18 UNF WHEEL NUT	8
10	R20125	8 BOLT HUB W/CUPS,NUTS AND STUDS	1

SINGLE AXLE KIT  
( 2 OF EACH REQ'D )



SINGLE AXLE KIT			
Item	Name	Description	Qty
1	340-55-00-000	18 X 22.5 TRUCK TIRE & WHEEL ASSY 8 BOLT	1
1-1	R20058	13.5 X 22.5 8 BOLT WHEEL	1
1-2	R20011	18 X 22.5 USED TRUCK TIRE	1
1-3	R20050	VALVE STEM 18-22.5 TIRE	1
2	200-00-00-010	SINGLE AXLE SPINDLE	1
3	300-27-00-000	8 BOLT HUB ASSY	1
4	R20117	SPINDLE NUT	1
5	R20118	SPINDLE WASHER	1
6	R07943	3/16 X 1 1/2" ROLL PIN	1
7	R20032	REPLACEMENT TUBE FOR 18 X 22.5 TIRE - NOT SHOWN	1