

Date Purchased _____ Machine Serial No. _____

The key number system in this parts book is arranged as follows:

- ⊙ - Key numbers with two circles denotes main assemblies.
- - Key numbers with one circle are individual parts

Please order parts by number

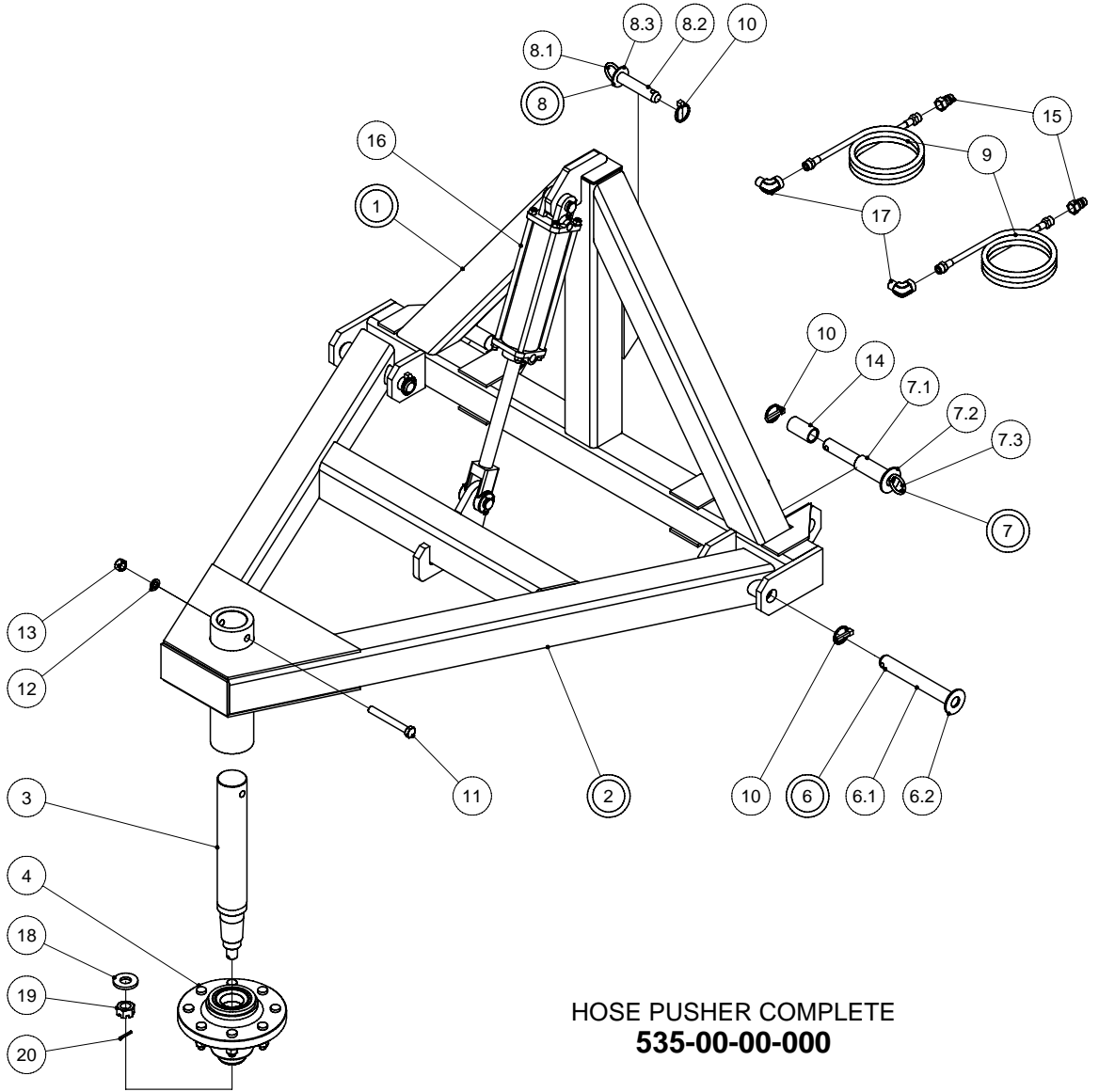


HOSE PUSHER • 535-00-00-000

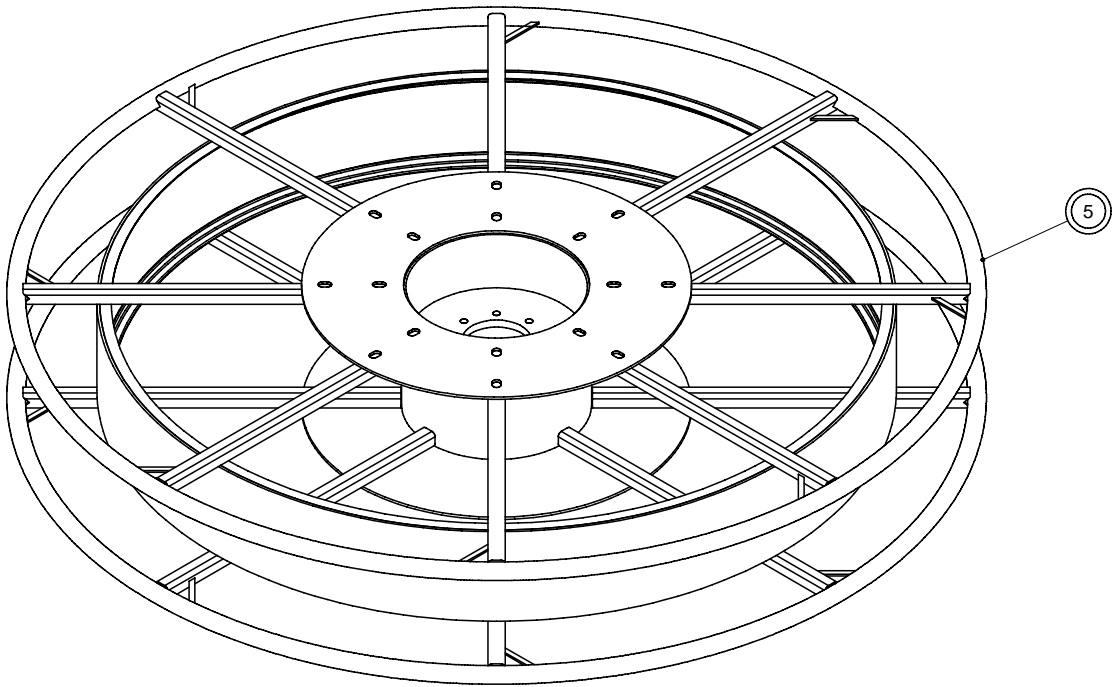
OPERATING INSTRUCTIONS:

1. Always check hydraulic hoses to ensure there are no cracked hoses or fittings.
2. 3-Point Hitch Hook-up – The Husky Hose Pusher is designed to be operated with either a Cat. II or Cat. III tractor. Shipped with the Hose Pusher is a stepped pin and sleeve, and is compatible with or without a quick hitch. For Cat. II tractor's equipped with or without a quick hitch, remove the pin sleeve prior to hook-up. The top link pin was solely designed for a Cat. II tractor. For use with a Cat. III tractor a pin sleeve can be purchased at any tractor dealership.
3. When pushing hose it is imperative that the operator keeps the Husky Hose Pusher Reel at level or slightly down so that the pressure of the hose doesn't push the 3-point hydraulics up. Failure to follow these instructions could result in damage to the unit/tractor and possibly cause bodily harm.
4. Do not allow the Husky Hose Pusher to dig into the ground.
5. **EXTREME DANGER** – Never enter a dirty manure spreader or storage tank – one breath of hydrogen sulphide gas is enough to kill. Have a ladder in your pit, so that if by accident you should fall in, you can get out.

HOSE PUSHER COMPLETE



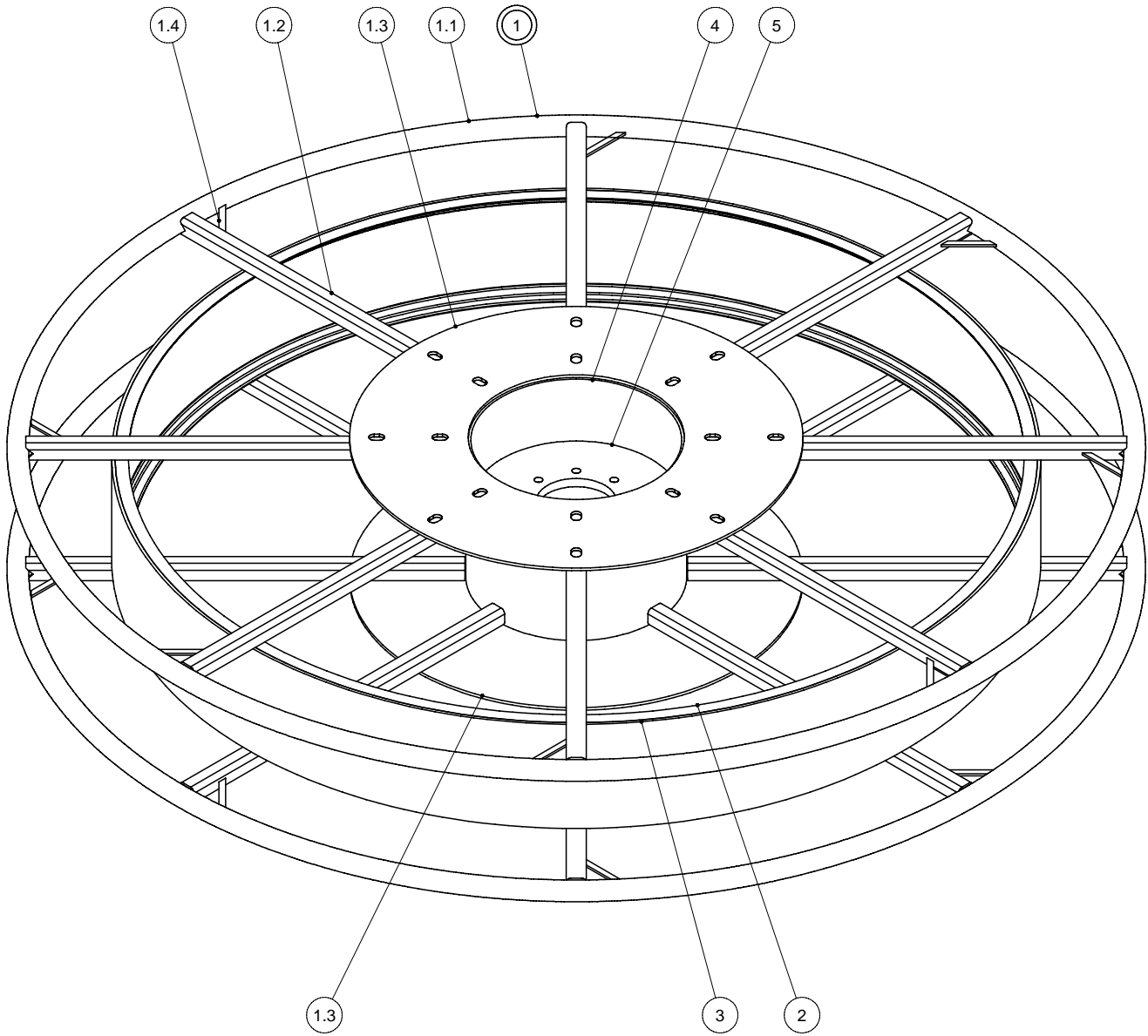
HOSE PUSHER COMPLETE
535-00-00-000



HOSE PUSHER COMPLETE

PARTS LIST			
ITEM	PART NUMBER	DESCRIPTION	QTY
1	535-03-00-000	"A" FRAME ASSY	1
2	535-02-00-000	TILT FRAME ASSY	1
3	535-00-00-024	SPINDLE	1
4	300-27-00-000	8 - BOLT HUB COMPLETE	1
5	535-01-00-000	PUSHER REEL ASSY	1
6	535-04-00-000	PIVOT PIN ASSY	2
6.1	535-04-00-023	HITCH PIN	1
6.2	R07828	1" FLAT WASHER	1
7	535-06-00-000	HITCH PIN ASSY	2
7.1	535-06-00-026	LIFT ARM PIN	1
7.2	R07828	1" FLAT WASHER	1
7.3	250-00-00-354	1/4 X 1 1/2" RING	1
8	535-07-00-000	CAT II TOP LINK PIN ASSY	1
8.1	250-00-00-354	1/4 X 1 1/2" RING	1
8.2	535-07-00-030	CAT II TOP LINK PIN	1
8.3	R07827	3/4" FLAT WASHER	1
9	250-87-51-000	HYDRAULIC HOSE ASSY	2
10	R08040	2 - 18 LYNCH PIN	5
11	R07652	5/8 x 5 UNC HEX BOLT	1
12	R07806	5/8" LOCK WASHER	1
13	R07786	5/8-11 UNC HEX NUT	1
14	535-00-00-028	CAT 2 FILLER TUBE	2
15	R21342	1/2" MALE PIONEER TIP	2
16	R20730	3 x 10 HYDRAULIC CYLINDER	1
17	R21367	1/2 X 90 HYD ELBOW	2
18	R20118	SPINDLE WASHER	1
19	R20117	SPINDLE NUT	1
20	R07943	3/16 x 1 1/2 ROLL PIN	1

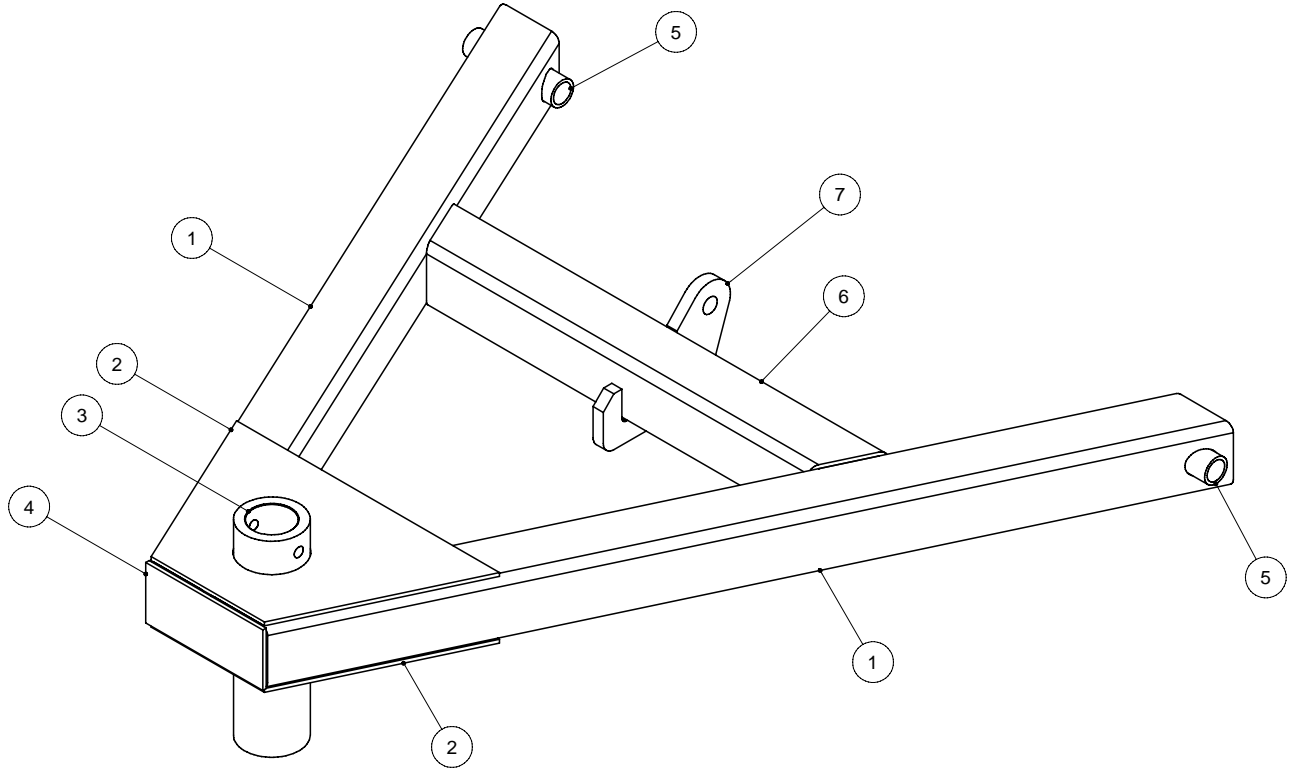
HOSE PUSHER REEL ASSY



HOSE PUSHER REEL ASSY
535-01-00-000

PARTS LIST			
ITEM	PART NUMBER	DESCRIPTION	QTY
1	535-01-01-000	REEL ASSY	2
1.1	200-06-00-035	INNER REEL	1
1.2	535-01-01-001	SPOKE	8
1.3	535-01-01-002	REINFORCING PLATE	1
1.4	200-05-00-031	STRAP HOOK	8
2	535-01-00-003	ANGLE RING	2
3	535-01-00-004	BAND	1
4	535-01-00-005	INNER RING	1
5	535-01-00-006	BOLT PLATE	1

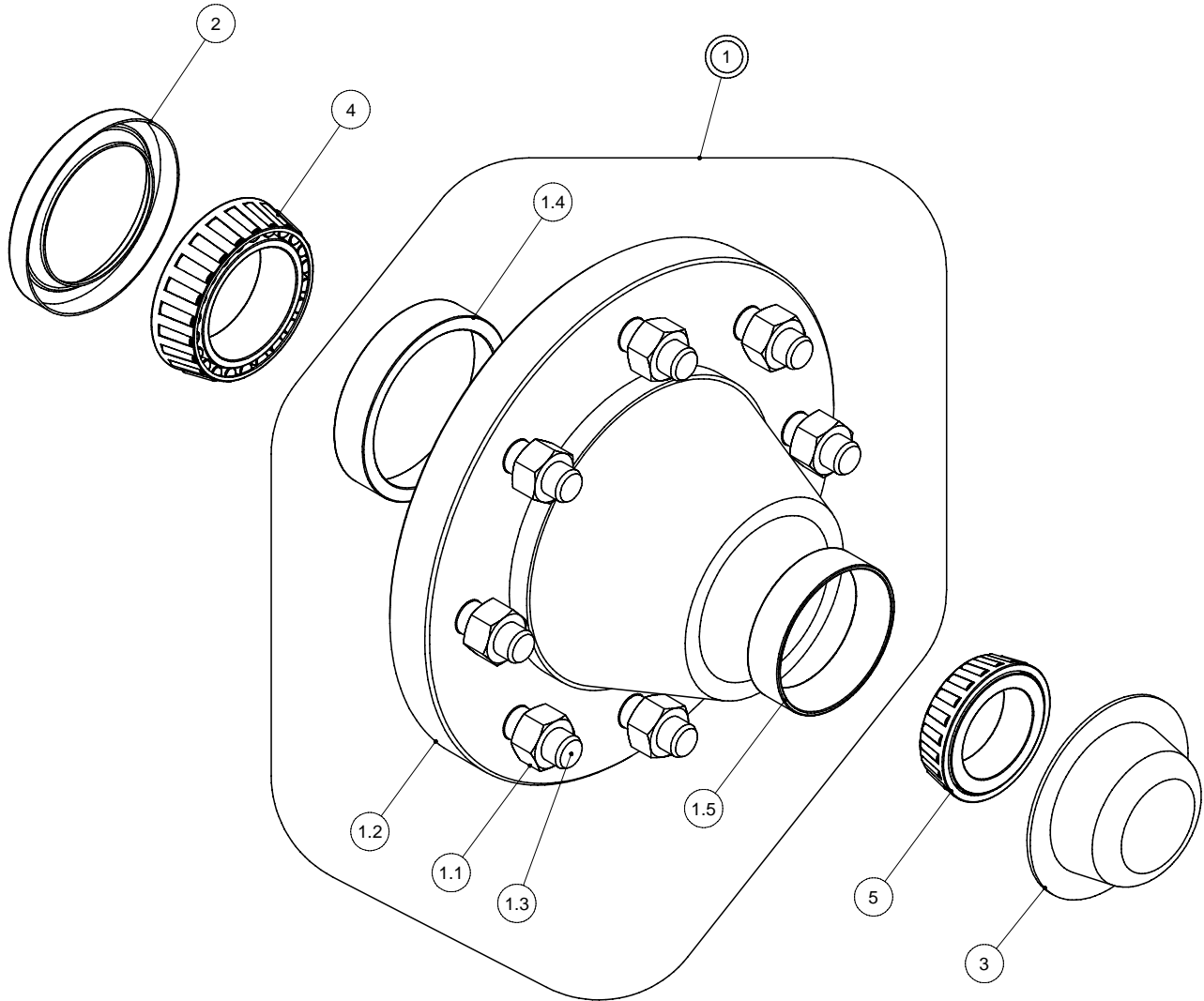
TILT FRAME ASSY



TILT FRAME ASSY 535-02-00-000

PARTS LIST			
ITEM	PART NUMBER	DESCRIPTION	QTY
1	535-02-00-007	LIFT ARM	2
2	535-02-00-008	END GUSSET	2
3	535-02-00-009	SPINDLE SLEEVE	1
4	535-02-00-010	END CAP	1
5	535-02-00-011	PIVOT SLEEVE	2
6	535-02-00-012	CROSS TUBE	1
7	535-02-00-025	CYLINDER BRKT	1

8000 LB - 8 BOLT HUB KIT



8000 LB - 8 BOLT HUB KIT
300-27-00-000

PARTS LIST			
ITEM	PART NUMBER	DESCRIPTION	QTY
1	300-27-00-574	8 - BOLT HUB w/ CUPS	1
1.1	R20111	5/8 x 18 UNF WHEEL NUT	8
1.2	R20126	8 BOLT HUB LESS CUPS	1
1.3	R20124	5/8 - 18 UNF x 2 3/8 WHEEL BOLT	8
1.4	R20112	JLM506810 INNER CUP	1
1.5	R20113	LM501310 OUTER CUP	1
2	R20116	HUB SEAL	1
3	R20119	DUST CAP	1
4	R20114	JLM506849 INNER CONE	1
5	R20115	LM501349 OUTER CONE	1

GUARANTEE

All Husky Farm Equipment manufactured by Husky Farm Equipment Limited is guaranteed. Guarantee covers all the replacement cost or repair of all parts said to be defective from manufacture. Guarantee also covers labour installing said parts, if installed at Husky Manufacturing plant. Time and use is the essence of the guarantee. If equipment is used on a private property for an individual's use, guarantee will be in effect for twelve months from date of invoice. If equipment is used for commercial use to do custom work for money then guarantee will be in effect for three months only from date of invoice.

EXEMPTIONS FROM GUARANTEE

Cost of transportation of equipment to or from Husky Farm Equipment Limited either by customer or by Husky's service staff or cost of mail or public transportation is not covered. Tires and electric or hydraulic motors are covered by manufacturer's warranty and although Husky may assist to get warranty, Husky will not be responsible other than that allowed by manufacturer's warranty. Items subject to normal wear from use not covered by guarantee if faulty part is simply worn.