

Date Purchased \_\_\_\_\_ Machine Serial No. \_\_\_\_\_

Options \_\_\_\_\_

The key number system in this parts book is arranged as follows:

- Key numbers with two circles denotes main assemblies.
- Key numbers with one circle are individual parts

Please order parts by number



## SLIDE IN WATER TANK

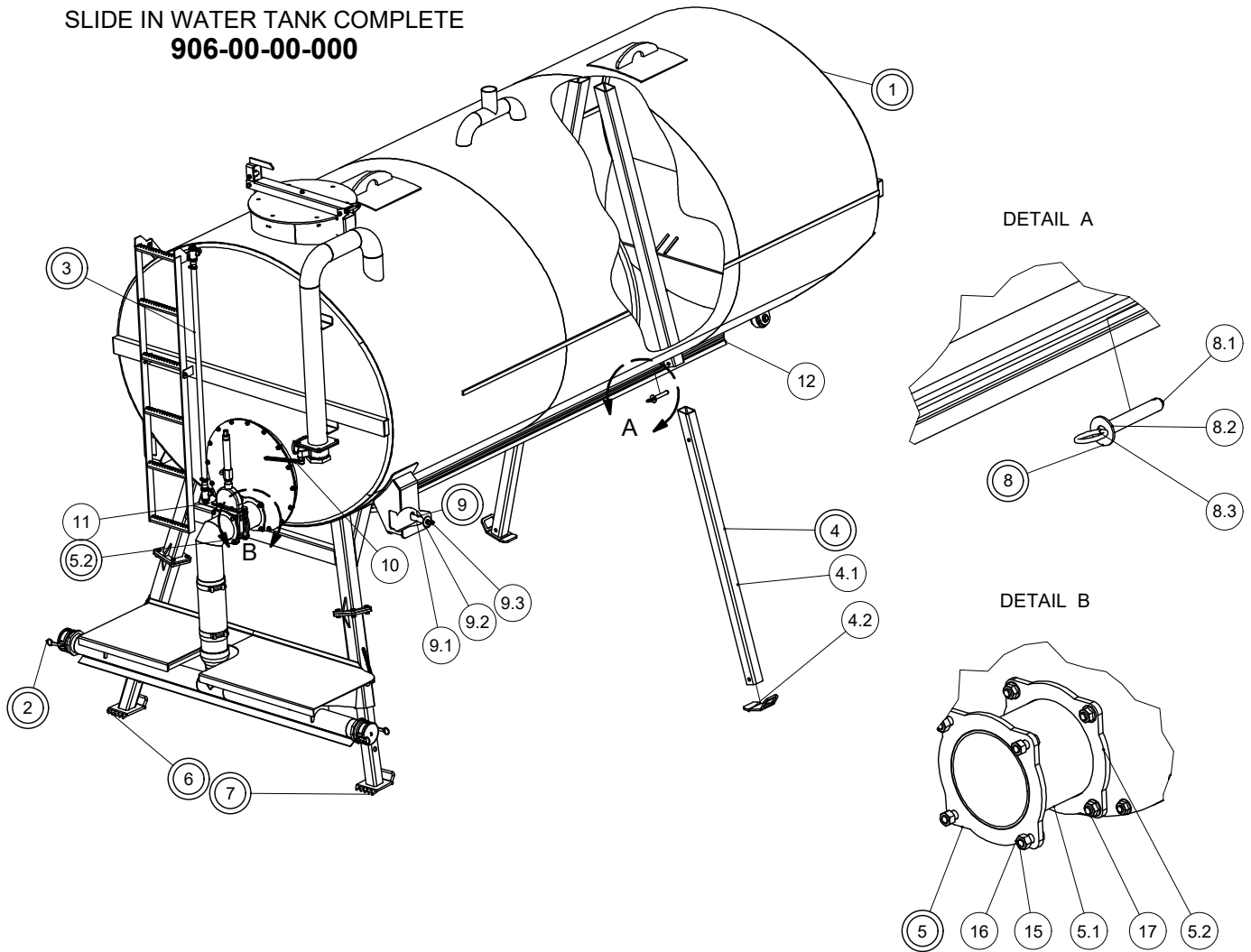
**906-00-00-000**

### OPERATING INSTRUCTIONS:

1. Do not operate machine until you fully understand the safe operating practices.
2. Stop tractor before attempting to service machine in any way.
3. Use only a tractor of adequate weight and power to operate the Husky Galvanized Drag Boom.
4. Always examine the field for sharp objects/stones before operating the Husky Galvanized Drag Boom.
5. While spreading the manure always make tight turns with tractor. If too wide a turn is made, hose may flip over and coil up.
6. When spreading manure with drag hose always have an operator at high pressure pump to shut down if hose breaks, or have a radio controlled kill switch on pump tractor to avoid spills.
7. If spill does occur and there is a danger that water ways will be contaminated, contact authorities **Immediately**, they will help direct the clean up. In Canada call 1-800-268-6060
8. **EXTREME DANGER** – Never enter a dirty manure spreader or storage tank – one breath of hydrogen sulphide gas is enough to kill. Have a ladder in your pit, so that if by accident you should fall, you have a means of getting out.

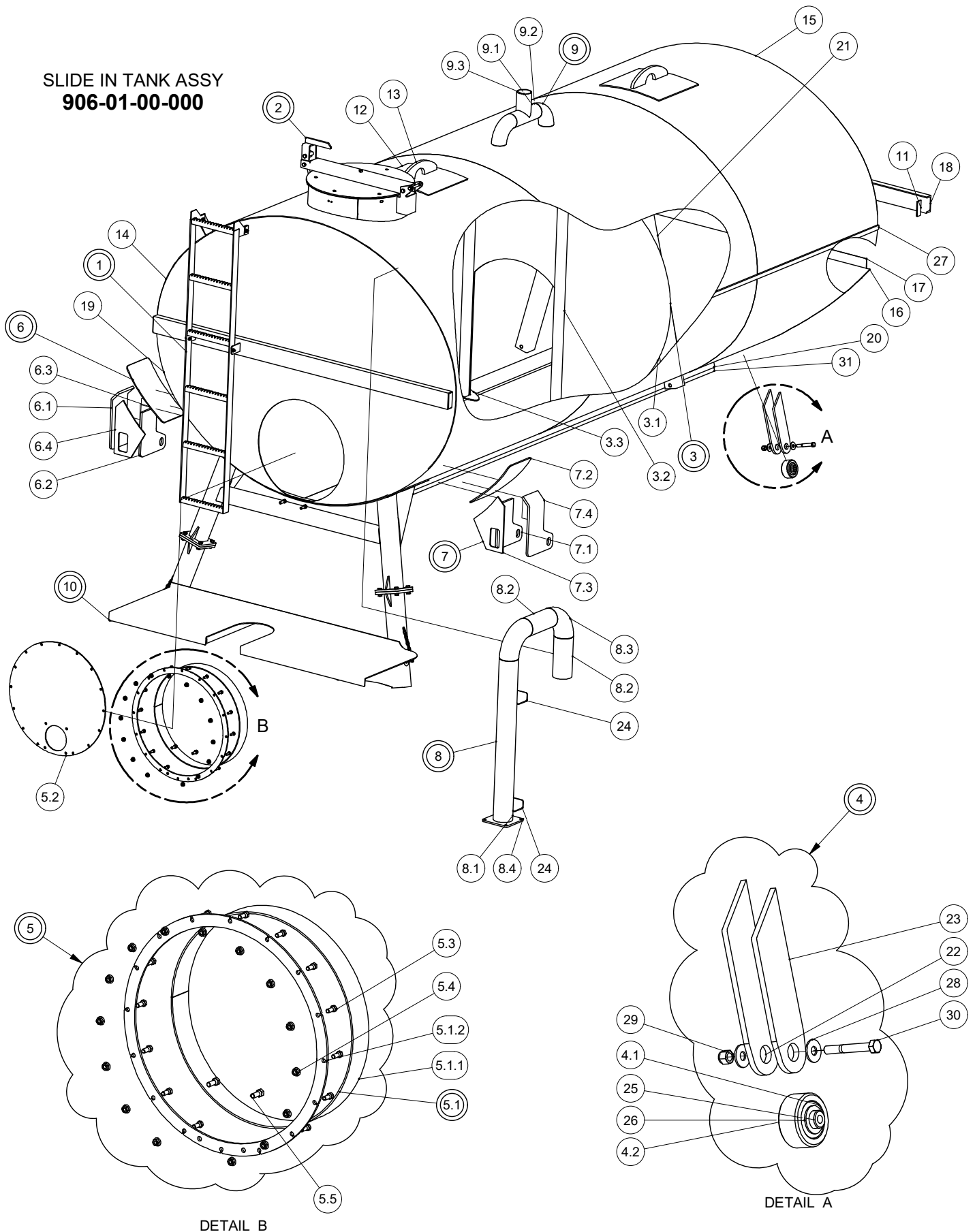
This Page is Intentionally Left Blank

SLIDE IN WATER TANK COMPLETE  
906-00-00-000



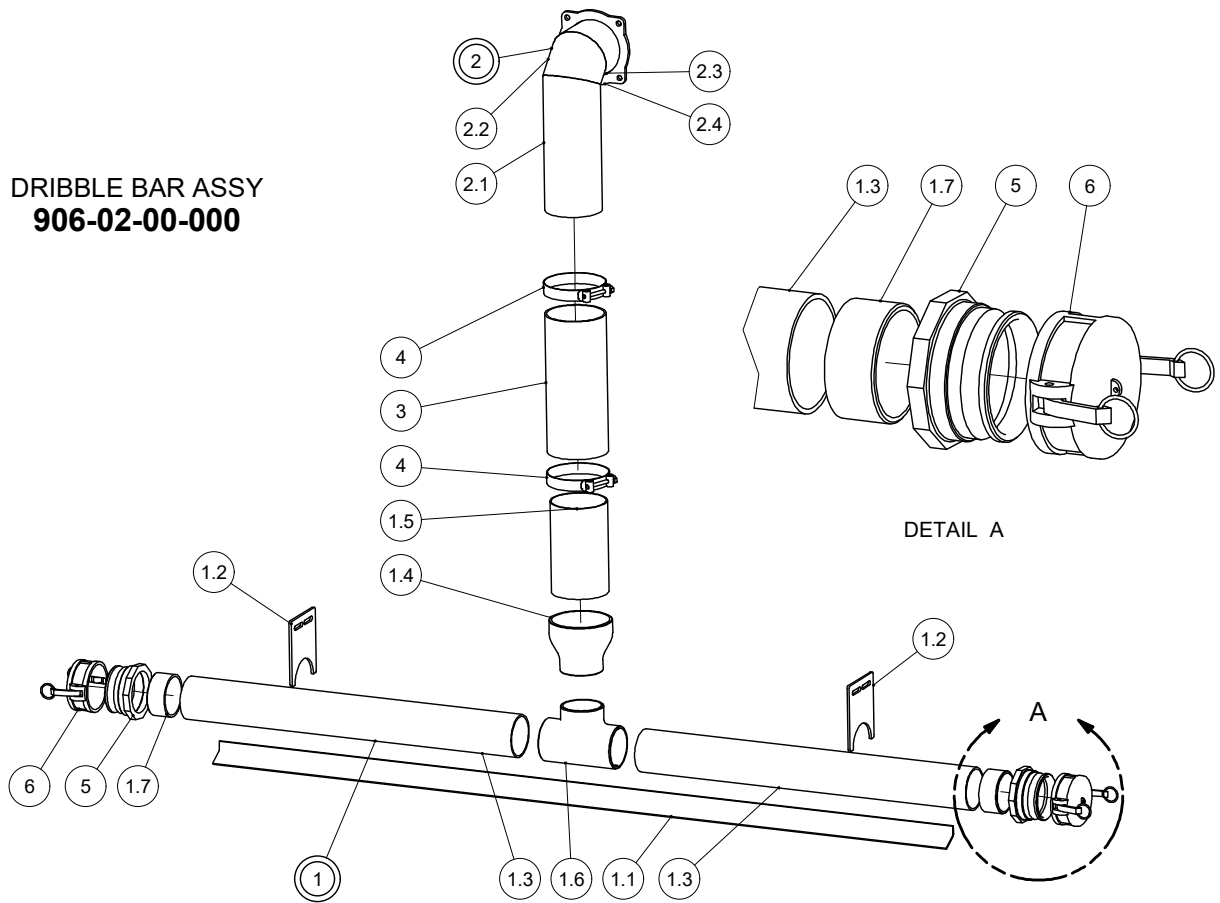
PARTS LIST				PARTS LIST			
ITEM	PART NUMBER	DESCRIPTION	QTY	ITEM	PART NUMBER	DESCRIPTION	QTY
1	906-01-00-000	SLIDE IN TANK ASSY	1	8.2	R07826	5/8 FLAT WASHER STD - ZINC	1
2	906-02-00-000	DRIBBLE BAR ASSY	1	8.3	250-00-00-354	1/4 X 1 1/2" RING	1
3	906-03-00-000	SIGHT TUBE KIT	1	9	215-17-00-000	UPPER HITCH PIN ASSY	2
4	906-04-00-000	FRONT DROP LEG ASSY	2	9.1	215-17-00-084	UPPER HITCH PIN	1
4.1	906-04-00-045	FRONT DROP LEG TUBE	1	9.2	R07828	1 FLAT WASHER STD - ZINC	1
4.2	906-04-00-046	FRONT LEG FOOT PLATE	1	9.3	250-00-00-354	1/4 X 1 1/2" RING	1
5	906-06-00-000	6" OUTLET EXTENSION ASSY	1	10	R10392	4" MANUAL BRASS BALL VALVE W FLANGE	1
5.1	906-06-00-047	6" OUTLET TUBE	1				
5.2	368-01-72-351	6" VALVE FLANGE	2	11	R10208	6"-2 WAY HYD VALVE-FLANGED	1
6	906-07-00-000	LH EXTENSION LEG ASSY	1	12	R10483	RUBBER T-STRIP	2
7	906-08-00-000	RH EXTENSION LEG ASSY	1	15	R07674	1/2-13 UNC x 1.25 HEX BOLT GR.5	8
8	480-10-04-000	TONGUE PIN ASSY	2	16	R07785	1/2-13 UNC HEX NUT - ZINC	8
8.1	480-10-04-065	TONGUE PIN	1	17	R07795	1/2-13 UNC FLANGE NUT - ZINC	4

SLIDE IN TANK ASSY  
906-01-00-000

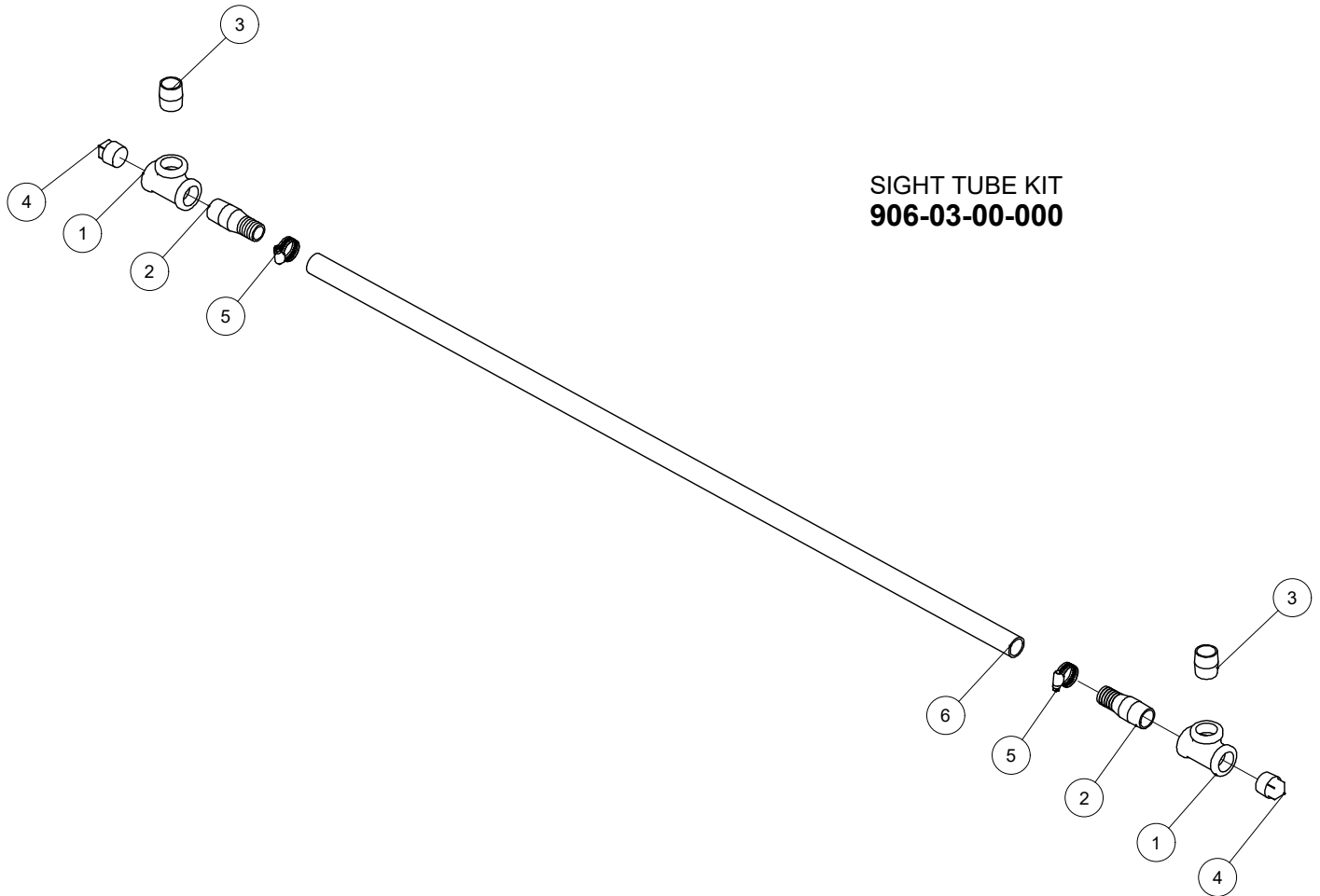


PARTS LIST				PARTS LIST			
ITEM	PART NUMBER	DESCRIPTION	QTY	ITEM	PART NUMBER	DESCRIPTION	QTY
1	364-95-00-000	LADDER ASSY	1	8.2	906-01-07-025	FILL TUBE PC	2
2	384-10-00-000	24" OVER CENTER HATCH KIT	1	8.3	R02191	4" WELD ELBOW-LARGE RADIUS	2
3	906-01-01-000	BAFFLE ASSY - 68" x 85"	1	8.4	906-01-07-056	6 TO 4" FLANGE	1
3.1	906-01-01-015	SLIDE IN BAFFLE - 68" x 85"	1	9	906-01-08-000	AIR VENT ASSY	1
3.2	906-01-01-016	BAFFLE SUPPORT TUBE	2	9.1	906-01-08-027	AIR VENT HORIZ. TUBE	1
3.3	340-01-01-559	OVAL REINFORCING PLATE	2	9.2	R02448	3" WELD ELBOW - SCH 40 - LR	2
4	906-01-02-000	ROLLER BRG ASSY	2	9.3	906-01-08-028	AIR VENT VERT. TUBE	1
4.1	R20175	6207LLU/2A BALL BEARING	2	10	906-01-09-000	REAR STAND TANK MOUNT ASSY	1
4.2	906-01-02-012	BEARING SLEEVE	1	11	330-66-00-258	STIFFENER END CAP	4
5	906-01-03-000	ACCESS HOLE & COVER PLATE KIT	1	12	340-01-00-546	REINFORCING PLATE	2
5.1	384-40-01-000	ACCESS RING ASSY	1	13	340-01-00-555	CENTER LIFT HOOK	2
5.1.1	384-40-01-491	ACCESS HOLE RING	1	14	906-01-00-001	SLIDE IN SHELL - 68" x 85" x 60" LONG	2
5.1.2	384-40-01-490	ACCESS HOLE FLANGE	1				
5.2	906-01-03-017	ACCESS HOLE COVER PLATE	1	15	906-01-00-002	SLIDE IN SHELL - 68" x 85" x 48" LONG	1
5.3	R07628	7/16-14 UNC x 1 HEX BOLT GR.5	15	16	906-01-00-003	CUTOUT FILLER PLATE	1
5.4	R07879	7/16-14 UNC FLANGE NUT - ZINC	15	17	906-01-00-004	ANGLE REINFORCING BAR	1
5.5	R07674	1/2-13 UNC x 1.25 HEX BOLT GR.5	2	18	906-01-00-005	TANK END STIFFENER	2
20.6	R07638	1/2-13 UNC x 1.5 HEX BOLT GR.5	2	19	906-01-00-006	TANK END - 68" x 85"	2
6	906-01-05-000	LH LOCK DOWN ASSY	1	20	906-01-00-007	RUBBER RISER TUBE	2
6.1	906-01-05-021	OUTER LOCK PLATE-LH	1	21	906-01-00-008	OUTER TANK STAND TUBE	2
6.2	906-01-05-019	INNER LOCK PLATE	1	22	906-01-00-009	INNER ROLLER PLATE	2
6.3	906-01-05-020	REINF PL FOR HOLD DOWN BRKTS	1	23	906-01-00-010	OUTER ROLLER PLATE	2
6.4	906-01-05-022	LOCK PLATE GUSSET	1	24	906-01-00-011	4" PIPE CLAMP BRKT	2
7	906-01-06-000	RH LOCK DOWN ASSY	1	25	906-01-00-013	ROLLER SLEEVE	2
7.1	906-01-05-019	INNER LOCK PLATE	1	26	906-01-00-014	ROLLER SPACER WASHER	4
7.2	906-01-05-020	REINF PL FOR HOLD DOWN BRKTS	1	27	906-01-00-052	SLIDE IN S.S. WEAR BAR	2
7.3	906-01-05-022	LOCK PLATE GUSSET	1	28	R07826	5/8 FLAT WASHER STD - ZINC	4
7.4	906-01-06-023	OUTER LOCK PLATE - RH	1	29	R08180	5/8-11 UNC NYLOCK NUT - ZINC	2
8	906-01-07-000	VERTICAL FILL PIPE ASSY	1	30	R08484	5/8-11 UNC x 4.5 HEX BOLT GR.5	2
8.1	906-01-07-024	VERTICAL FILL TUBE	1	31	R10482	RUBBER MOUNTING SILL CHANNEL	2

**DRIBBLE BAR ASSY  
906-02-00-000**

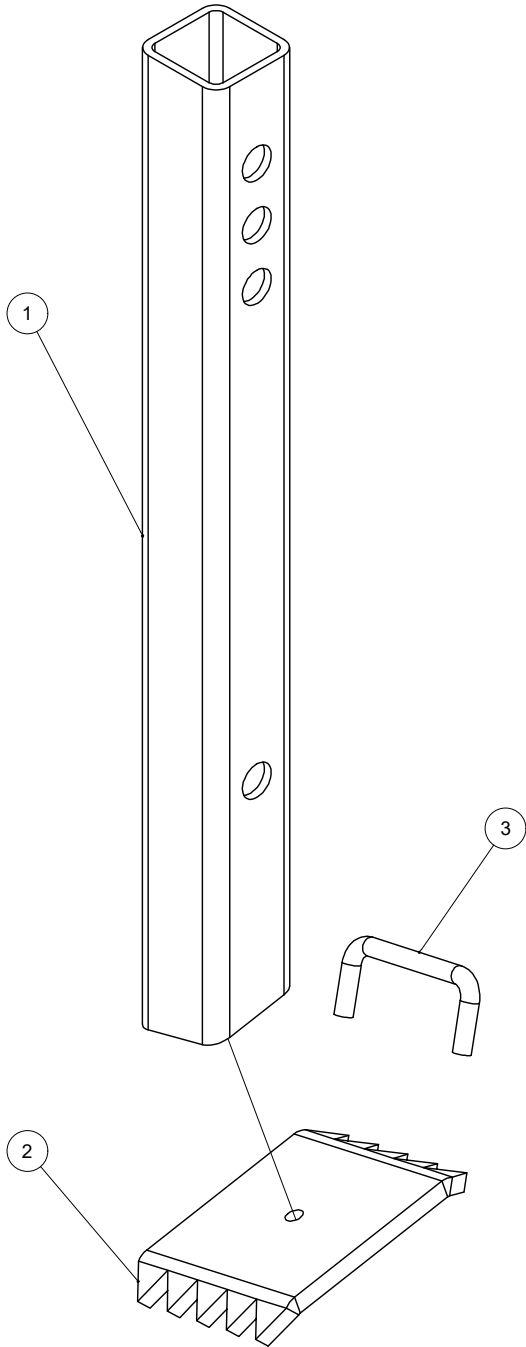


PARTS LIST			
ITEM	PART NUMBER	DESCRIPTION	QTY
1	906-02-01-000	DRIBBLE BAR ASSY	1
1.1	906-02-00-042	DRIBBLE SPLASH PLATE	1
1.2	906-02-00-044	SPLASH BAR MOUNT PLATE	2
1.3	906-02-00-041	4 INCH CROSS TUBE	2
1.4	R03007	6" x 4" CONCENTRIC PIPE REDUCER	1
1.5	906-02-00-057	LOWER TUBE	1
1.6	906-02-00-058	4" PIPE TEE	1
1.7	R02142	4" CLOSE PIPE NIPPLE	2
2	906-02-02-000	DROP TUBE ASSY	1
2.1	906-02-00-043	DISCHARGE TUBE	1
2.2	364-19-00-082	DISCHARGE PIPE CORNER PC	1
2.3	368-60-49-357	ELBOW BASE PC	1
2.4	368-01-72-351	6" VALVE FLANGE	1
3	250-00-00-095	FLEX HOSE SECTION	1
4	R02482	6" HOSE CLAMP	2
5	R02788	4" CAMLOCK M->F NPT	2
6	R02794	4" CAMLOCK CAP	2

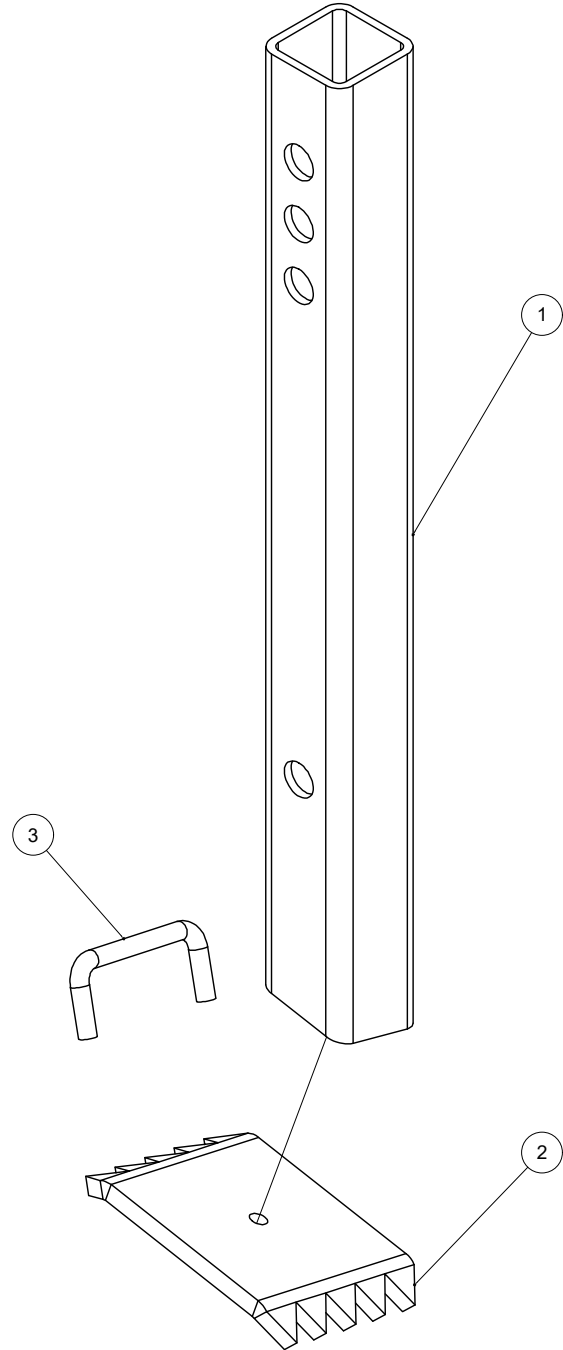


**SIGHT TUBE KIT  
906-03-00-000**

PARTS LIST			
ITEM	PART NUMBER	DESCRIPTION	QTY
1	TeeSch80Iron	1" Tee Fitting	2
2	KingNipple 1	1" COMB NIPPLE	2
3	NIPPLE	3" THREADED PIPE NIPPLE	2
4	1 Gal Sq Plg	1 Square Plug, 150psi Galv	2
5	Hose Clamp	xxx Dia Hose Clamp	2
6	910-01-10-022	1" SITE HOSE	1



LH EXTENSION LEG ASSY  
**906-07-00-000**



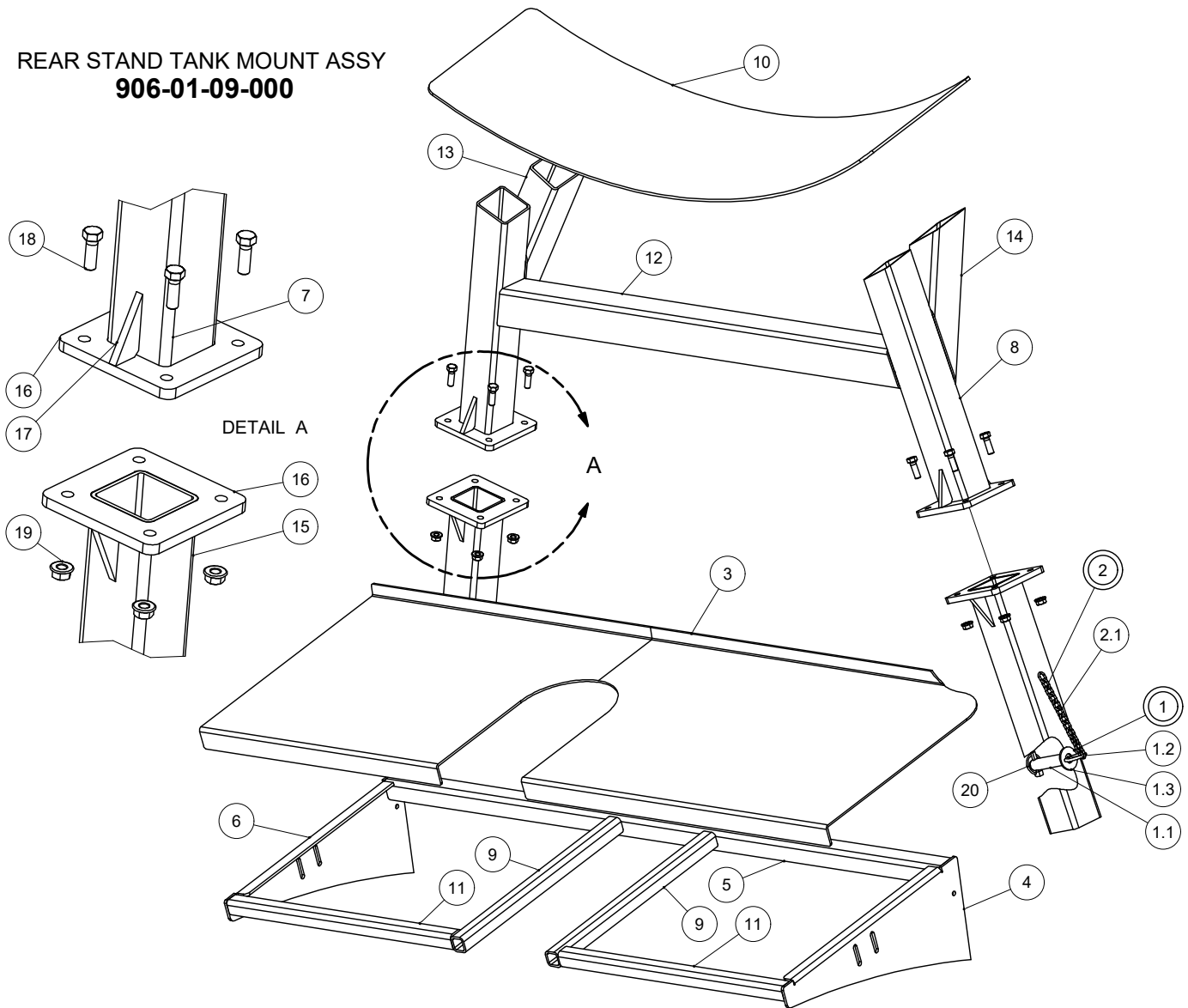
RH EXTENSION LEG ASSY  
**906-08-00-000**

PARTS LIST			
ITEM	PART NUMBER	DESCRIPTION	QTY
1	906-07-00-048	INSIDE ADJUSTMENT LEG "LH"	1
2	906-07-00-050	STAND FOOT	1
3	906-07-00-051	LEG HANDLE	1

PARTS LIST			
ITEM	PART NUMBER	DESCRIPTION	QTY
1	906-08-00-049	INSIDE ADJUSTMENT LEG "RH"	1
2	906-07-00-050	STAND FOOT	1
3	906-07-00-051	LEG HANDLE	1

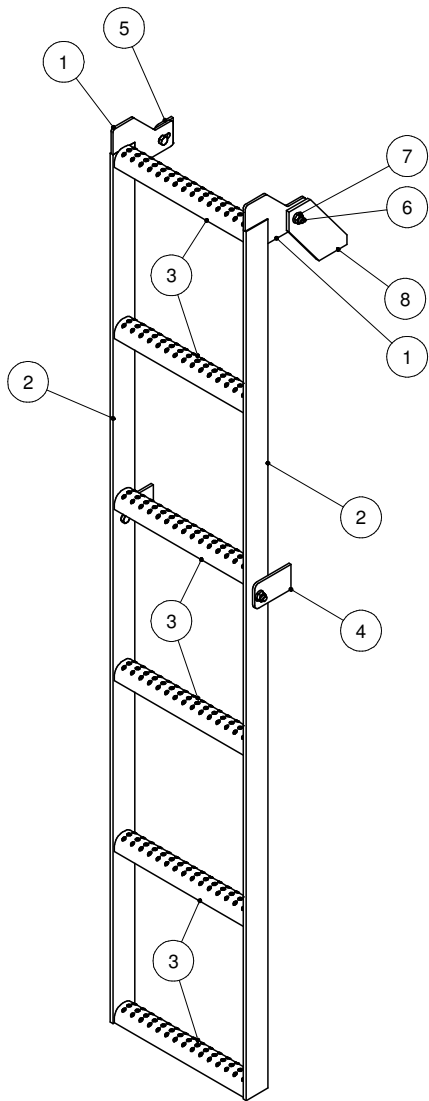


REAR STAND TANK MOUNT ASSY  
**906-01-09-000**

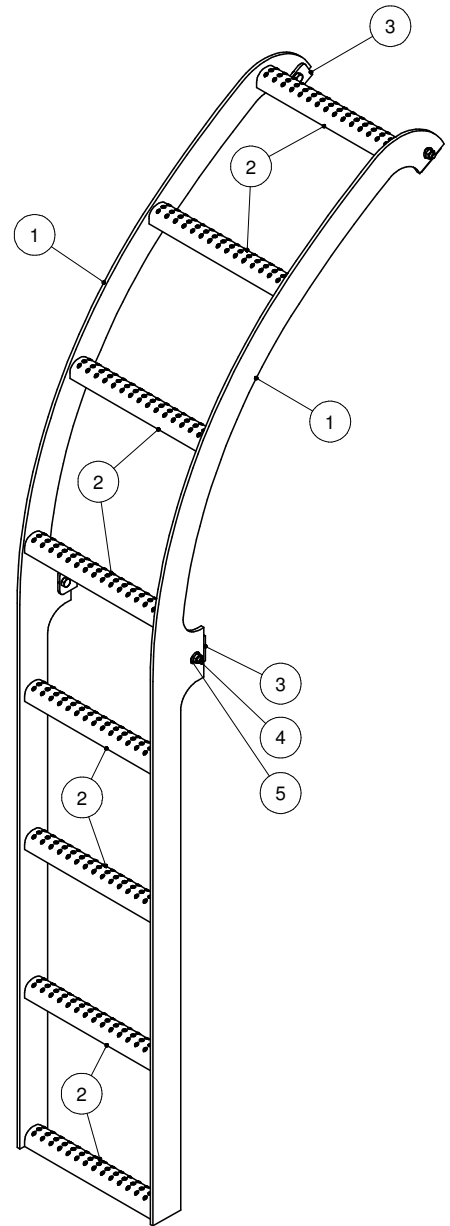


PARTS LIST				PARTS LIST			
ITEM	PART NUMBER	DESCRIPTION	QTY	ITEM	PART NUMBER	DESCRIPTION	QTY
1	308-85-03-000	PIN ASSY	2	9	906-01-09-035	CROSS SUPPORT TUBE	2
1.1	308-85-03-245	PIN	1	10	906-01-09-036	REINFORCING PLATE	1
1.2	250-00-00-354	1/4 X 1 1/2" RING	1	11	906-01-09-037	REAR STAND CROSS SUPPORT TUBE	2
1.3	R07827	3/4 FLAT WASHER STD - ZINC	1	12	906-01-09-038	REAR STAND CROSS TUBE	1
2	480-10-03-062	CHAIN	2	13	906-01-09-039	GUSSET TUBE-LH	1
2.1	480-10-03-062	CHAIN LINK	12	14	906-01-09-040	GUSSET TUBE-RH	1
3	906-01-09-029	PUMP MOUNT DECK	1	15	906-01-09-053	REAR STAND OUTER BOTTOM LEG	2
4	906-01-09-030	RH DECK GUSSET	1	16	906-01-09-054	REAR STAND OUTER LEG FLANGE	4
5	906-01-09-031	REAR STAND CROSS SUPPORT TUBE	1	17	906-01-09-055	LEG GUSSET	8
6	906-01-09-032	LH DECK GUSSET	1	18	R07638	1/2-13 UNC x 1.5 HEX BOLT GR.5	8
7	906-01-09-033	REAR STAND OUTER LEG-LH	1	19	R07795	1/2-13 UNC FLANGE NUT - ZINC	8
8	906-01-09-034	REAR STAND OUTER LEG-RH	1	20	R08040	7/16" LYNCH PIN	2

# LADDER KIT



**LADDER KIT**  
**364-95-00-000**

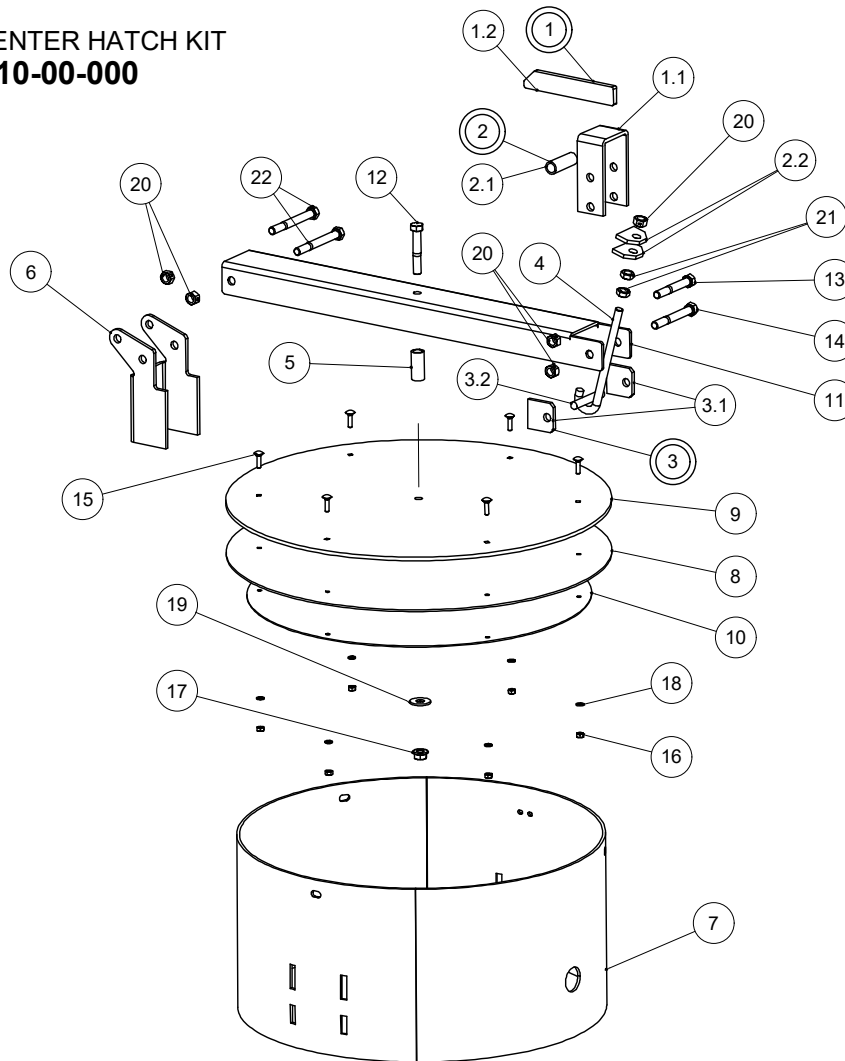


**SIDE LADDER KIT**  
*15000L PROFILE*  
**385-39-00-000**

PARTS LIST			
ITEM	PART NUMBER	DESCRIPTION	QTY
1	364-95-00-326	LADDER LUG	2
2	364-95-00-325	LADDER SIDE PC	2
3	364-95-00-324	LADDER RUNG	6
4	364-00-00-414	TANK LUG	2
5	364-95-00-327	UPPER TANK LUG	2
6	R07619	3/8-16 UNC x 1 HEX BOLT GR.5	4
7	R07794	3/8-16 UNC FLANGE NUT - ZINC	4
8	384-00-00-216	LADDER BRKT	1

PARTS LIST			
ITEM	PART NUMBER	DESCRIPTION	QTY
1	385-39-00-582	15000 PROFILE SIDE LADDER PC	2
2	364-95-00-324	LADDER RUNG	8
3	364-95-00-327	UPPER TANK LUG	4
4	R07619	3/8-16 UNC x 1 HEX BOLT GR.5	4
5	R07794	3/8-16 UNC FLANGE NUT - ZINC	4

24" OVER CENTER HATCH KIT  
**384-10-00-000**



PARTS LIST				PARTS LIST			
ITEM	PART NUMBER	DESCRIPTION	QTY	ITEM	PART NUMBER	DESCRIPTION	QTY
1	315-92-27-000	HANDLE BRKT ASSY	1	9	384-10-00-213	LID TOP	1
1.1	315-92-27-289	HANDLE BRKT	1	10	384-10-00-214	RUBBER SUPPORT	1
1.2	315-92-27-288	HANDLE	1	11	384-10-00-215	CROSS CHANNEL	1
2	315-92-28-000	SLEEVE ASSY	1	12	R07641	1/2-13 UNC x 3 HEX BOLT GR.5	1
2.1	315-92-28-290	BOLT SLEEVE	1	13	R07642	1/2-13 UNC x 3.5 HEX BOLT GR.5	1
2.2	315-92-28-291	HANDLE BRKT LUG	2	14	R07643	1/2-13 UNC x 4 HEX BOLT GR.5	1
3	315-92-29-000	CROSS PIN ASSY	1	15	R07702	1/4-20 UNC x 1 CARRIAGE BOLT Gr.5	6
3.1	315-92-29-293	HOLD DOWN LUG	2	16	R07781	1/4-20 UNC HEX NUT - ZINC	6
3.2	315-92-29-292	CROSS PIN	1	17	R07795	1/2-13 UNC FLANGE NUT - ZINC	1
4	315-90-00-294	LATCH HOOK	1	18	R07801	1/4 LOCK WASHER - ZINC	6
5	315-92-00-296	CENTER PIN	1	19	R07825	1/2 FLAT WASHER STD - ZINC	1
6	315-92-00-297	HINGE PLATE	1	20	R07885	1/2-13 UNC 2-WAY LOCK NUT - ZINC	5
7	364-02-00-006	24" MANHOLE	1	21	R08046	1/2-13 UNC HEX JAM NUT - ZINC	2
8	384-10-00-212	RUBBER SEAL	1	22	R08489	1/2-13 UNC x 4.5 HEX BOLT GR.5	2

## **GUARANTEE**

All Husky Farm Equipment manufactured by Husky Farm Equipment Limited is guaranteed. Guarantee covers all the replacement cost or repair of all parts said to be defective from manufacture. Guarantee also covers labour installing said parts, if installed at Husky Manufacturing plant. Time and use is the essence of the guarantee. If equipment is used on a private property for an individual's use, guarantee will be in effect for twelve months from date of invoice. If equipment is used for commercial use to do custom work for money then guarantee will be in effect for three months only from date of invoice.

## **EXEMPTIONS FROM GUARANTEE**

Cost of transportation of equipment to or from Husky Farm Equipment Limited either by customer or by Husky's service staff or cost of mail or public transportation is not covered. Tires and electric or hydraulic motors are covered by manufacturer's warranty and although Husky may assist to get warranty, Husky will not be responsible other than that allowed by manufacturer's warranty. Items subject to normal wear from use not covered by guarantee if faulty part is simply worn.