

Date Purchased _____

The key number system in this parts book is arranged as follows:

- ⊙ - Key numbers with two circles denotes main assemblies.
- - Key numbers with one circle are individual parts

Please order parts by number

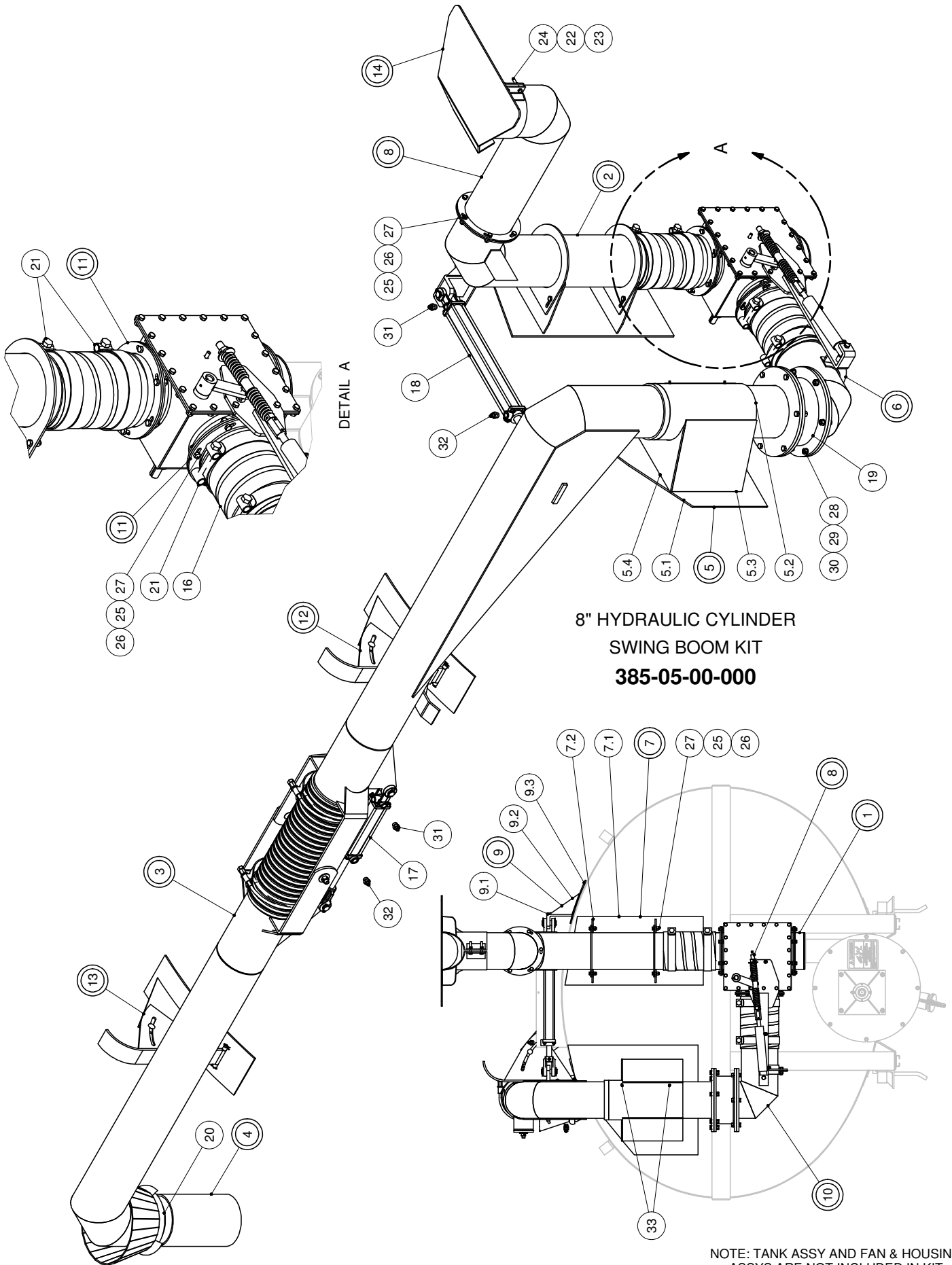
HUSKY
FARM EQUIPMENT

8" SWING BOOM KIT

385-05-00-000 – Hydraulic Cylinder
385-11-00-000 – Hydraulic Orbit Motor



8" SWING BOOM KIT - HYD CYL

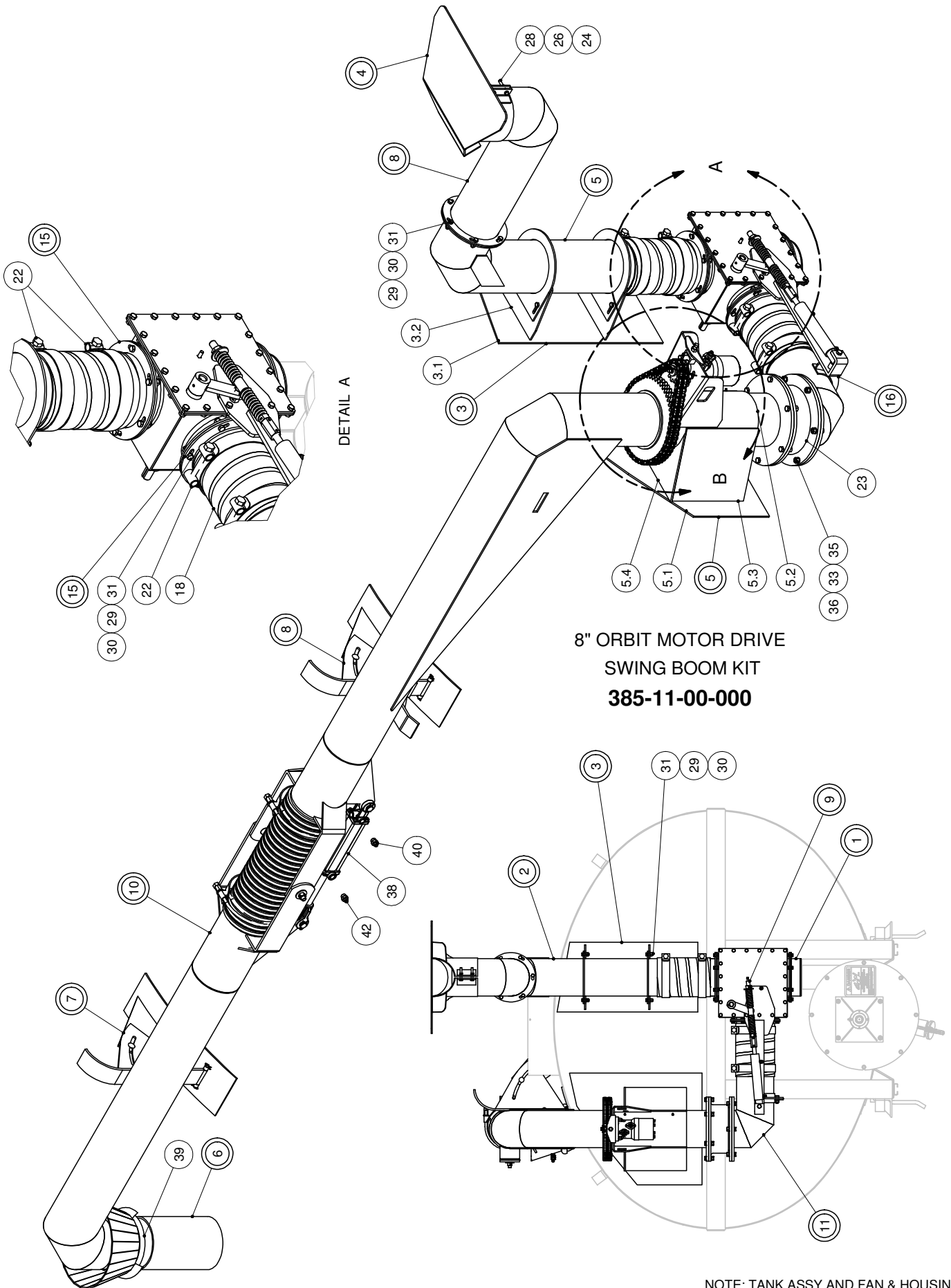


NOTE: TANK ASSY AND FAN & HOUSING ASSYS ARE NOT INCLUDED IN KIT

8" SWING BOOM KIT - HYD CYL

PARTS LIST			
ITEM	PART NUMBER	DESCRIPTION	QTY
1	385-05-03-000	HOUSING TO VALVE CONN ASSY -8"	1
2	385-05-09-000	8" VERTICAL DISCHARGE PIPE ASSY	1
3	385-05-10-000	8" BOOM ASSY COMPLETE w/ SNORKEL	1
4	386-11-01-000	8" BAUER FUNNEL ASSY	1
5	385-11-04-000	8" BOOM VERTICAL SUPPORT ASSY	1
5.1	384-06-06-049	SUPPORT BACK PLATE	1
5.2	386-05-08-135	SUPPORT PIPE	1
5.3	385-11-04-326	SIDE SUPPORT GUSSET	2
5.4	385-11-04-327	FILLER PLATE	1
6	386-05-12-000	SADDLE ASSY	1
7	385-05-04-000	8" VERTICAL DISCHARGE PIPE HOLDER ASSY	1
7.1	385-05-04-144	PIPE HOLDER BACK PLATE	1
7.2	357-47-00-226	8" TANK MOUNT BRKT	2
8	386-13-00-000	8" FLAPPER BOX KIT W/ HYD CYL.	1
9	384-06-19-000	CYLINDER BRKT ASSY	1
9.1	384-06-19-199	CYLINDER BRKT	1
9.2	384-06-19-200	GUSSET	2
9.3	384-06-19-201	TANK REINFORCING PLATE	1
10	385-05-11-000	8" CROSS PIPE W/FLANGE ASSY	1
11	386-05-16-000	8" HOSE CONN PIPE ASSY	2
12	385-28-00-000	UNIVERSAL BOOM HOLDER KIT	1
13	385-29-00-000	UNIVERSAL BOOM STOP KIT	1
14	358-92-04-000	8" SPLASH PLATE ASSY	1
15	358-92-03-000	8" EXTENSION PIPE ASSY	1
16	290-00-00-120	8" CONNECTOR HOSE	2
17	R23267	20TH08 HYD CYL-ORB	1
18	R23273	20TH20 HYD CYL-ORB	1
19	R10429	8" SWIVEL JOINT	1
20	R10223	8" BAUER 'O' RING	1
21	R02484	8" SUCTION HOSE CLAMP	4
22	R07803	3/8" LOCK WASHER	2
23	R07783	3/8-16 UNC HEX NUT	2
24	R07622	3/8 x 2 1/2 UNC HEX BOLT	2
25	R07804	7/16" LOCK WASHER	28
26	R07784	7/16-14 UNC HEX NUT	28
27	R07671	7/16 x 1 1/4 UNC HEX BOLT	28
28	R07785	1/2-13 UNC HEX NUT	12
29	R07805	1/2" LOCK WASHER	12
30	R07638	1/2 x 1 1/2 UNC HEX BOLT	12
31	R23191	3/8" JIC M x ORB-8 M RESTRICTOR	2
32	R23091	ORB-8 X 3/8" JIC M ADAPTOR	2
33	R08183	1/4" - 28 STRAIGHT GREASE FITTING	2

8" SWING BOOM KIT - ORBIT DRIVE

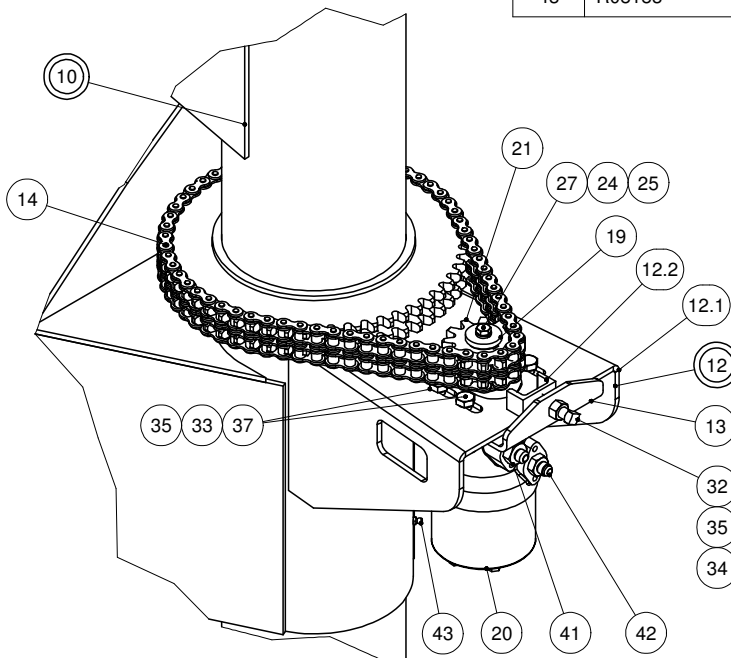


8" ORBIT MOTOR DRIVE
 SWING BOOM KIT
385-11-00-000

NOTE: TANK ASSY AND FAN & HOUSING ASSYS ARE NOT INCLUDED IN KIT

8" SWING BOOM KIT - ORBIT DRIVE

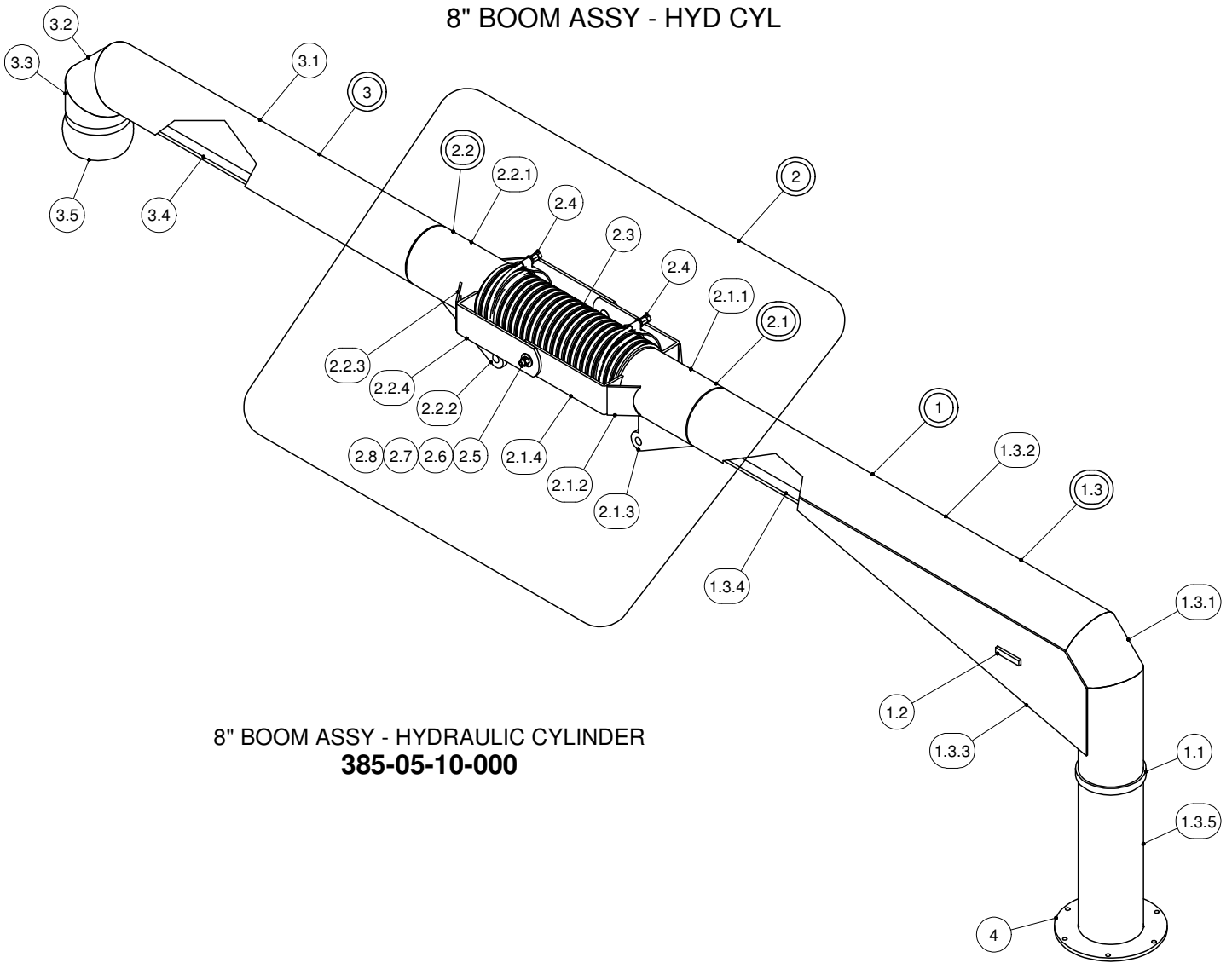
PARTS LIST				PARTS LIST			
ITEM	PART NUMBER	DESCRIPTION	QTY	ITEM	PART NUMBER	DESCRIPTION	QTY
1	385-05-03-000	HOUSING TO VALVE CONN ASSY -8"	1	17	358-92-03-000	8" EXTENSION PIPE ASSY	1
2	385-05-09-000	8" VERTICAL DISCHARGE PIPE ASSY	1	18	290-00-00-120	8" CONNECTOR HOSE	2
3	385-05-04-000	8" VERTICAL DISCHARGE PIPE HOLDER ASSY	1	19	385-11-00-328	SPROCKET CAP	1
				20	R22164	DANFOSS HYD MOTOR-OMH500	1
3.1	385-05-04-144	PIPE HOLDER BACK PLATE	1	21	R21002	D60B12 SPROCKET-1 1/4" BORE	1
3.2	357-47-00-226	8" TANK MOUNT BRKT	2	22	R02484	8" SUCTION HOSE CLAMP	4
4	358-92-04-000	8" SPLASH PLATE ASSY	1	23	R10429	8" SWIVEL JOINT	1
5	385-11-04-000	8" BOOM VERTICAL SUPPORT ASSY	1	24	R07803	3/8" LOCK WASHER	3
5.1	384-06-06-049	SUPPORT BACK PLATE	1	25	R07823	3/8" FLAT WASHER	3
5.2	386-05-08-135	SUPPORT PIPE	1	26	R07783	3/8-16 UNC HEX NUT	2
5.3	385-11-04-326	SIDE SUPPORT GUSSET	2	27	R07675	3/8 x 1 1/4 UNC HEX BOLT	1
5.4	385-11-04-327	FILLER PLATE	1	28	R07622	3/8 x 2 1/2 UNC HEX BOLT	2
6	386-11-01-000	8" BAUER FUNNEL ASSY	1	29	R07804	7/16" LOCK WASHER	28
7	385-29-00-000	UNIVERSAL BOOM STOP KIT	1	30	R07784	7/16-14 UNC HEX NUT	28
8	385-28-00-000	UNIVERSAL BOOM HOLDER KIT	1	31	R07671	7/16 x 1 1/4 UNC HEX BOLT	28
9	386-13-00-000	8" FLAPPER BOX KIT W/ HYD CYL.	1	32	R07918	1/2 x 2 UNC SQ HD SETSCREW	1
10	385-11-01-000	8" BOOM ASSY COMPLETE w/ SNORKEL	1	33	R07805	1/2" LOCK WASHER	16
				34	R08046	1/2-13 UNC JAM NUT	1
11	385-05-11-000	8" CROSS PIPE W/FLANGE ASSY	1	35	R07785	1/2-13 UNC HEX NUT	17
12	385-11-09-000	HYDRAULIC MOTOR MOUNT ASSY	1	36	R07638	1/2 x 1 1/2 UNC HEX BOLT	12
12.1	385-11-09-455	HYDRAULIC MOTOR MOUNT	1	37	R07639	1/2 x 2 UNC HEX BOLT	4
12.2	385-11-09-456	TIGHTENER BRACKET	1	38	R23267	20TH08 HYD CYL-ORB	1
13	385-11-00-457	TIGHTENER PLATE	1	39	R10223	8" BAUER 'O' RING	1
14	385-11-00-323	60-2 DOUBLE ROLLER CHAIN C/W CL	1	40	R23191	3/8" JIC M x ORB-8 M RESTRICTOR	1
15	386-05-16-000	8" HOSE CONN PIPE ASSY	2	41	R23192	3/8" JIC M. x ORB-10 M. RESTRICTOR	1
16	386-05-12-000	SADDLE ASSY	1	42	R23091	ORB-8 X 3/8" JIC M ADAPTOR	2
				43	R08183	1/4" - 28 STRAIGHT GREASE FITTING	2



DETAIL B

DANFOSS HYD MOTOR-OMH500
REPLACEMENT SEAL KIT
R22460

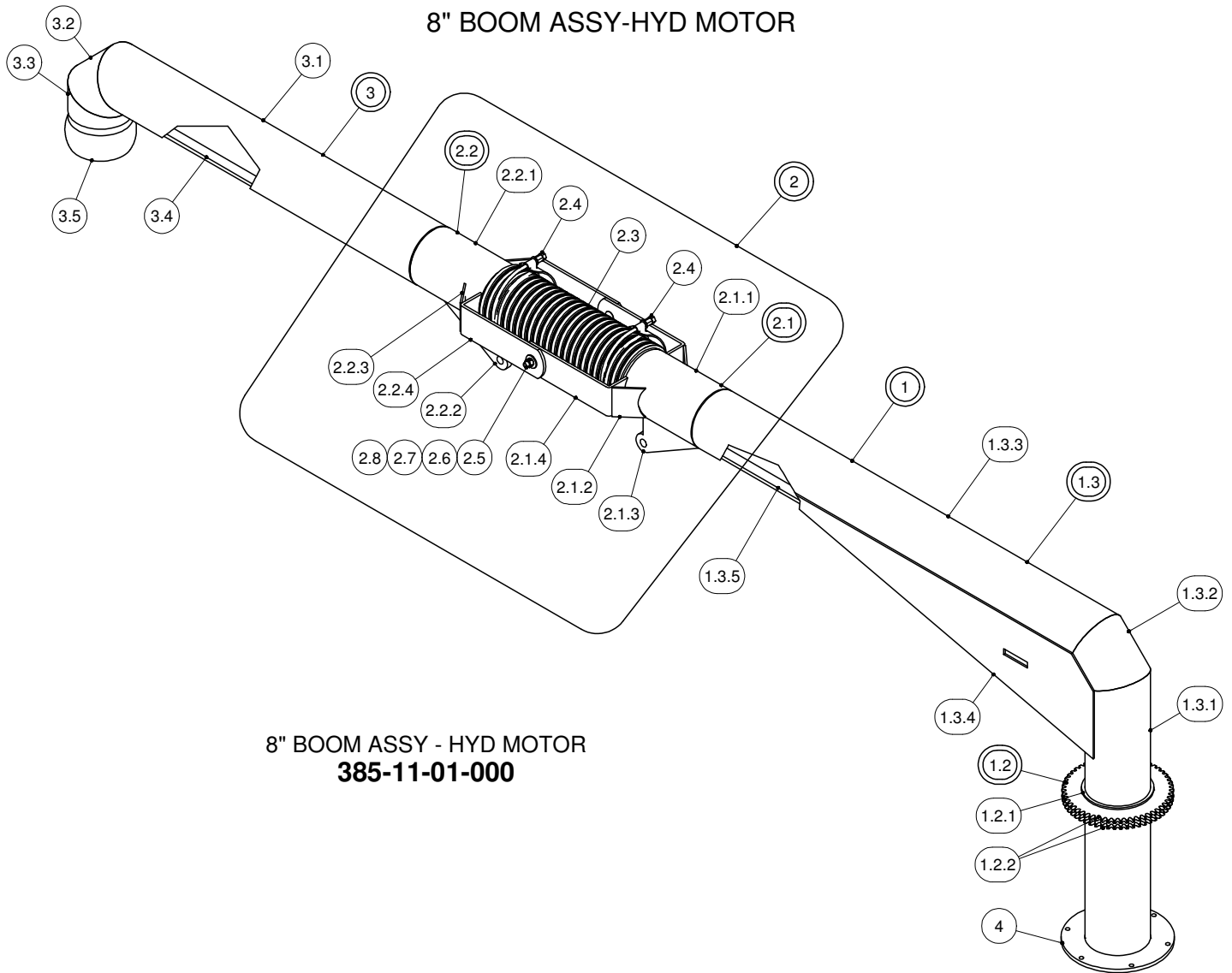
8" BOOM ASSY - HYD CYL



8" BOOM ASSY - HYDRAULIC CYLINDER
385-05-10-000

PARTS LIST				PARTS LIST			
ITEM	PART NUMBER	DESCRIPTION	QTY	ITEM	PART NUMBER	DESCRIPTION	QTY
1	385-05-05-000	8" SWIVEL PIPE ASSY - 15000L PROFILE	1	2.2.2	384-06-04-046	HYDRAULIC CYLINDER BRKT	1
1.1	385-05-05-153	STOP RING	1	2.2.3	386-05-01-094	GUSSET	2
1.2	385-05-05-154	CYLINDER BRKT	1	2.2.4	386-05-02-311	8" OUTER PIVOT BRKT	2
1.3	385-11-10-000	8" SWIVEL PIPE ASSY - 15000L & 18000 L	1	2.3	386-05-03-095	8" FLEX HOSE	1
1.3.1	385-05-05-206	ELBOW MIDDLE PC	1	2.4	R02844	8" SPIRAL CLAMP	2
1.3.2	385-05-05-152	8" HORIZONTAL DISCHARGE PIPE	1	2.5	R07754	5/8 x 2" CARRIAGE BOLT	2
1.3.3	385-05-05-155	SIDE GUSSET	2	2.6	384-06-21-305	SPACER PIPE	2
1.3.4	385-11-02-520	SHORT DISCH PIPE WEAR BAR	1	2.7	R07887	5/8 2 WAY LOCK HEX NUT	2
1.3.5	385-05-05-151	8" VERTICAL DISCHARGE PIPE	1	2.8	R07826	5/8 FLAT WASHER	2
2	386-05-03-000	8" SNORKEL KIT	1	3	386-05-09-000	8" OUTER BOOM ASSY	1
2.1	386-05-01-000	INNER PIVOT BRKT ASSY - 8"	1	3.1	386-05-09-138	OUTER DISCHARGE PIPE	1
2.1.1	386-05-01-091	8" BARBED END	1	3.2	386-05-09-140	DISCHARGE MID PC	1
2.1.2	386-05-01-094	GUSSET	2	3.3	386-05-09-139	OUTER DISCHARGE PIPE END PC	1
2.1.3	384-06-04-046	HYDRAULIC CYLINDER BRKT	1	3.4	384-06-07-463	DISCHARGE PIPE WEAR BAR	1
2.1.4	386-05-01-308	8" INNER PIVOT BRKT	2	3.5	R10220	8" BAUER BALL	1
2.2	386-05-02-000	OUTER PIVOT BRKT ASSY - 8"	1	4	385-00-00-329	FLANGE FOR 8" SWIVEL	1
2.2.1	386-05-01-091	8" BARBED END	1				

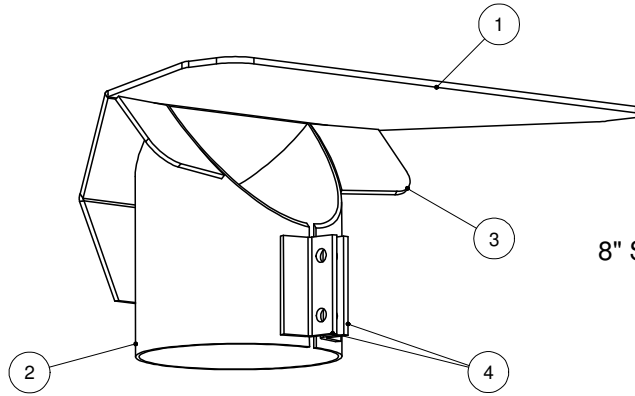
8" BOOM ASSY-HYD MOTOR



**8" BOOM ASSY - HYD MOTOR
385-11-01-000**

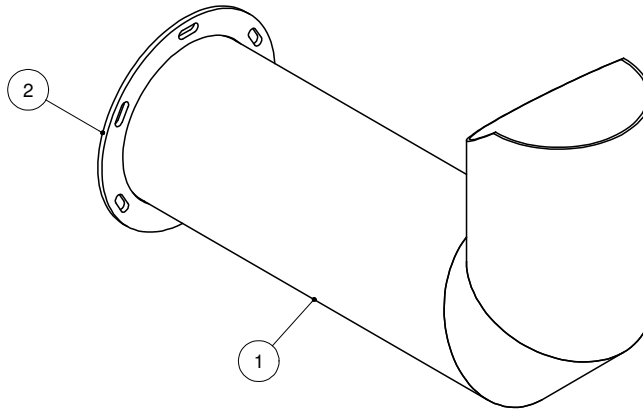
PARTS LIST				PARTS LIST			
ITEM	PART NUMBER	DESCRIPTION	QTY	ITEM	PART NUMBER	DESCRIPTION	QTY
1	385-11-02-000	8" SWIVEL PIPE ASSY FOR HYD ROTATOR	1	2.2.1	386-05-01-091	8" BARBED END	1
1.2	385-11-05-000	SPROCKET AND SLEEVE ASSY	1	2.2.2	384-06-04-046	HYDRAULIC CYLINDER BRKT	1
1.2.1	385-11-05-320	SPROCKET SLEEVE	1	2.2.3	386-05-01-094	GUSSET	2
1.2.2	R21003	60A54 SPROCKET-8 3/4" BORE	2	2.2.4	386-05-02-311	8" OUTER PIVOT BRKT	2
1.3	385-11-10-000	8" SWIVEL PIPE ASSY - 15000L & 18000 L	1	2.3	386-05-03-095	8" FLEX HOSE	1
1.3.1	385-05-05-151	8" VERTICAL DISCHARGE PIPE	1	2.4	R02844	8" SPIRAL CLAMP	2
1.3.2	385-05-05-206	ELBOW MIDDLE PC	1	2.5	R07754	5/8 x 2" CARRIAGE BOLT	2
1.3.3	385-05-05-152	8" HORIZONTAL DISCHARGE PIPE	1	2.6	384-06-21-305	SPACER PIPE	2
1.3.4	385-05-05-155	SIDE GUSSET	2	2.7	R07887	5/8 2 WAY LOCK HEX NUT	2
1.3.5	385-11-02-520	SHORT DISCH PIPE WEAR BAR	1	2.8	R07826	5/8 FLAT WASHER	2
2	386-05-03-000	8" SNORKEL KIT	1	3	386-05-09-000	8" OUTER BOOM ASSY	1
2.1	386-05-01-000	INNER PIVOT BRKT ASSY - 8"	1	3.1	386-05-09-138	OUTER DISCHARGE PIPE	1
2.1.1	386-05-01-091	8" BARBED END	1	3.2	386-05-09-140	DISCHARGE MID PC	1
2.1.2	386-05-01-094	GUSSET	2	3.3	386-05-09-139	OUTER DISCHARGE PIPE END PC	1
2.1.3	384-06-04-046	HYDRAULIC CYLINDER BRKT	1	3.4	384-06-07-463	DISCHARGE PIPE WEAR BAR	1
2.1.4	386-05-01-308	8" INNER PIVOT BRKT	2	3.5	R10220	8" BAUER BALL	1
2.2	386-05-02-000	OUTER PIVOT BRKT ASSY - 8"	1	4	385-00-00-329	FLANGE FOR 8" SWIVEL	1

8" VERTICAL DISCHARGE PARTS



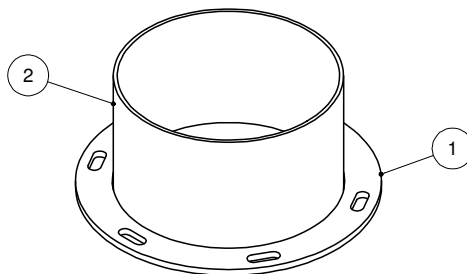
**8" SPLASH PLATE ASSY
358-92-04-000**

PARTS LIST			
ITEM	PART NUMBER	DESCRIPTION	QTY
1	358-92-04-308	8" SPLASH PLATE	1
2	358-92-04-309	8" SPLASH PLATE TUBE	1
3	358-92-04-310	WING FOR 8" SPLASH PLATE	2
4	358-92-04-311	CLAMPING TUBE BRKT	2



**8" EXTENSION PIPE ASSY
358-92-03-000**

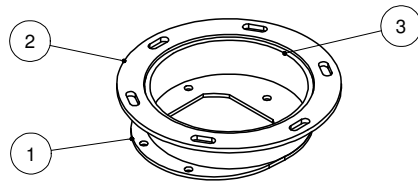
PARTS LIST			
ITEM	PART NUMBER	DESCRIPTION	QTY
1	358-92-03-307	8" EXTENSION PIPE	1
2	358-92-02-306	8" DISCHARGE FLANGE	1



**8" HOSE CONNECTOR ASSY
386-05-16-000**

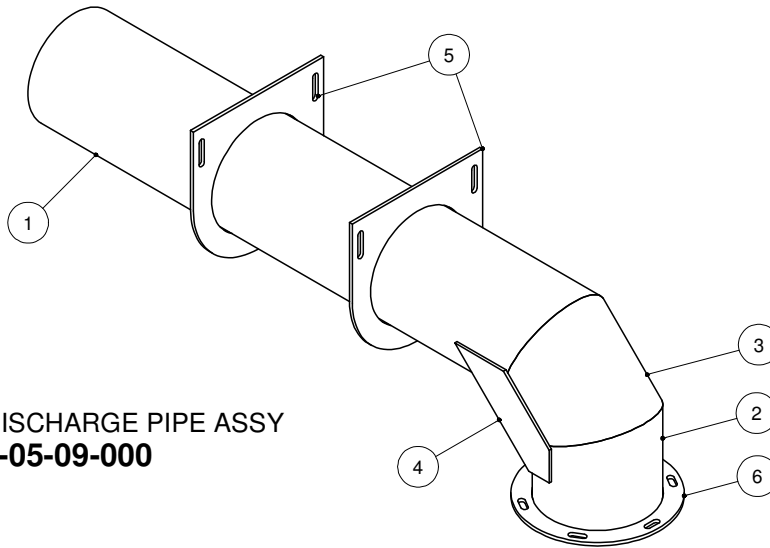
PARTS LIST			
ITEM	PART NUMBER	DESCRIPTION	QTY
1	358-92-02-306	8" DISCHARGE FLANGE	1
2	386-05-16-566	FLEX HOSE EXTENSION PIPE	1

8in VERTICAL DISCHARGE & SWING BOOM PARTS



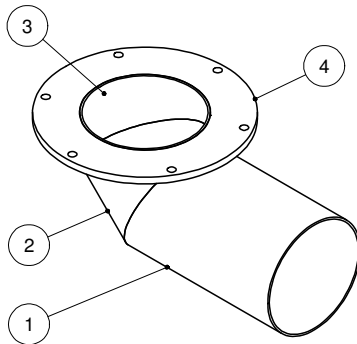
**HOUSING TO VALVE CONNECTION
385-05-03-000**

PARTS LIST			
ITEM	PART NUMBER	DESCRIPTION	QTY
1	358-92-01-301	8" HOUSING DISCHARGE RING	1
2	358-92-02-306	8" DISCHARGE FLANGE	1
3	385-05-03-217	CONNECTOR TUBE	1



**8" VERTICAL DISCHARGE PIPE ASSY
385-05-09-000**

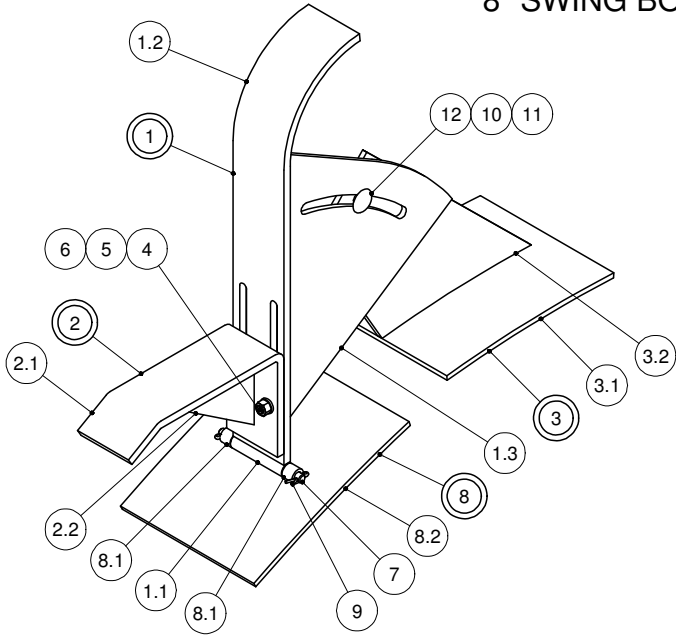
PARTS LIST				PARTS LIST			
ITEM	PART NUMBER	DESCRIPTION	QTY	ITEM	PART NUMBER	DESCRIPTION	QTY
1	385-05-09-145	8" VERTICAL DISCHARGE TUBE	1	4	384-05-02-097	GUSSET	2
2	385-05-09-146	ELBOW END PC	1	5	357-47-01-227	8" PIPE MOUNT BRKT	2
3	385-05-09-147	ELBOW MIDDLE PC	1	6	358-92-02-306	8" DISCHARGE FLANGE	1



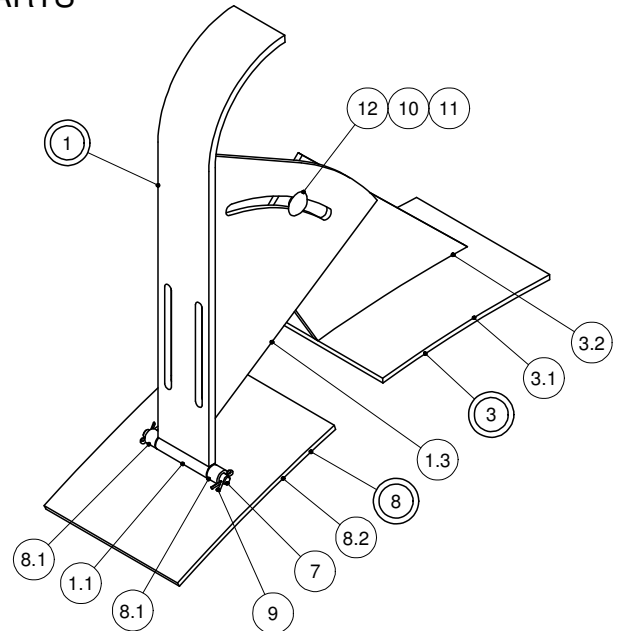
**8" CROSS PIPE W/ FLANGE ASSY
385-11-00-000**

PARTS LIST			
ITEM	PART NUMBER	DESCRIPTION	QTY
1	385-05-11-571	8" CROSS PIPE	1
2	386-05-04-391	ELBOW MIDDLE PC	1
3	386-05-04-173	ELBOW END PC	1
4	385-00-00-329	FLANGE FOR 8" SWIVEL	1

8" SWING BOOM PARTS



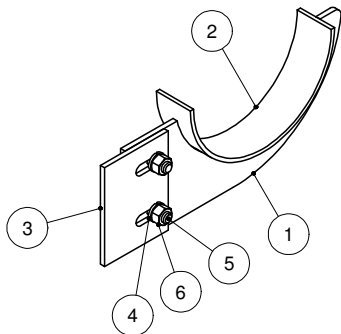
**UNIVERSAL BOOM HOLDER KIT
385-28-00-00**



**UNIVERSAL BOOM STOP KIT
385-29-00-00**

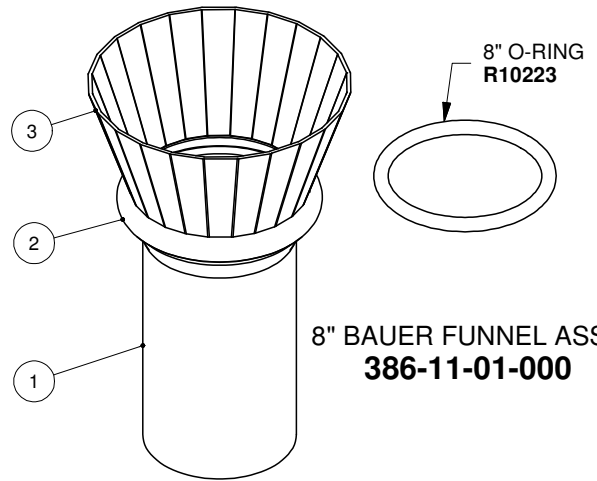
PARTS LIST			
ITEM	PART NUMBER	DESCRIPTION	QTY
1	385-28-01-000	VERTICAL STOP ASSY	1
1.1	385-28-01-521	LONG PIVOT SLEEVE	1
1.2	385-28-01-522	VERTICAL ADJUSTABLE STOP	1
1.3	385-28-01-523	BACK GUSSET	1
2	385-28-03-000	ADJUSTABLE SEAT ASSY	1
2.1	385-28-03-526	ADJUSTABLE SEAT	1
2.2	385-28-03-527	SEAT GUSSET	1
3	385-28-04-000	UPPER TANK PLATE ASSY	1
3.1	385-28-02-525	TANK PLATE	1
3.2	385-28-04-529	UPPER TANK PLATE BRKT	1
4	R07722	3/8 x 1 1/4 UNC CARRIAGE BOLT	2

PARTS LIST			
ITEM	PART NUMBER	DESCRIPTION	QTY
5	R07803	3/8" LOCK WASHER	2
6	R07783	3/8-16 UNC HEX NUT	2
7	385-28-00-528	PIVOT PIN	1
8	385-28-02-000	LOWER TANK PLATE ASSY	1
8.1	385-28-02-524	SHORT PIVOT SLEEVE	2
8.2	385-28-02-525	TANK PLATE	1
9	R08021	1/8 x 1 S.S. COTTER PIN	2
10	R07785	1/2-13 UNC HEX NUT	1
11	R07805	1/2" LOCK WASHER	1
12	R07742	1/2 x 1 1/4 UNC CARRIAGE BOLT	1



**8" SADDLE ASSY
386-05-12-000**

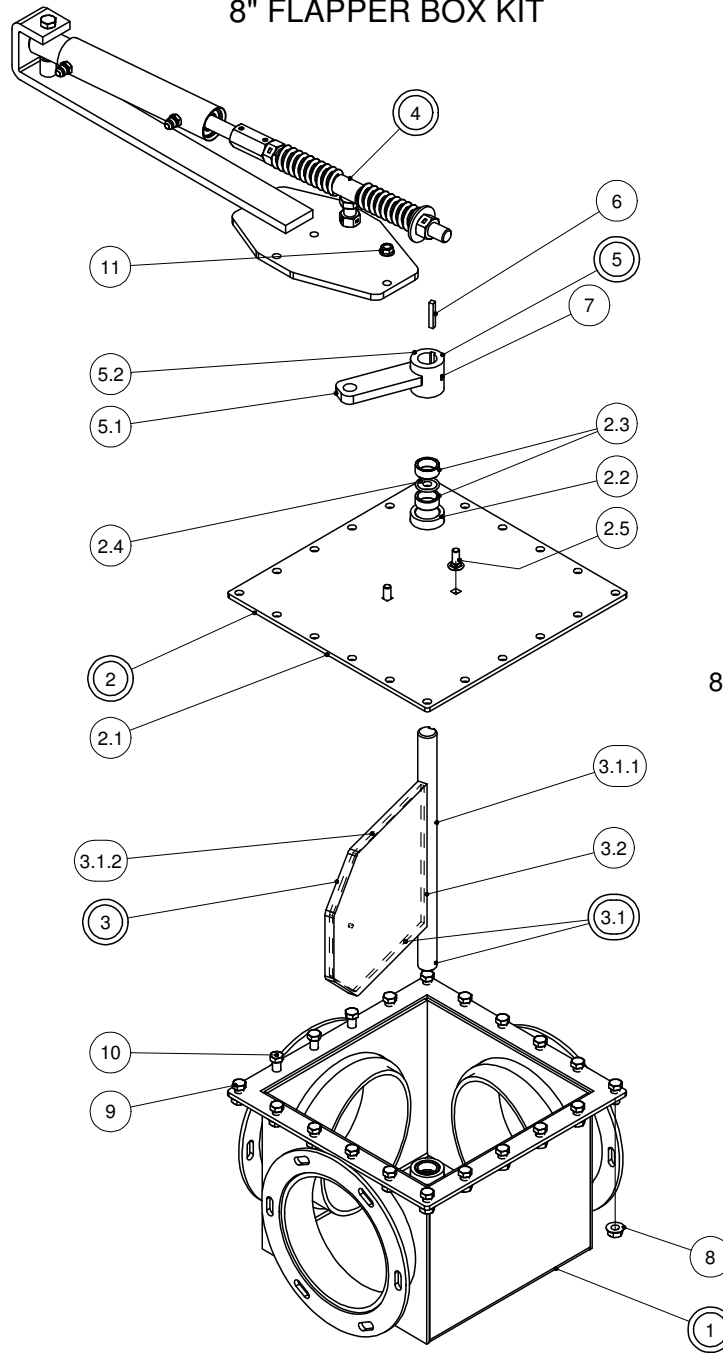
PARTS LIST			
ITEM	PART NUMBER	DESCRIPTION	QTY
1	386-05-12-150	SADDLE HOLDER	1
2	386-05-12-149	SADDLE	1
3	386-05-12-458	SADDLE ADJUSTMENT BRKT	1
4	R07805	1/2" LOCK WASHER	2
5	R07674	1/2 x 1 1/4 UNC HEX BOLT	2
6	R07785	1/2-13 UNC HEX NUT	2



**8" BAUER FUNNEL ASSY
386-11-01-000**

PARTS LIST			
ITEM	PART NUMBER	DESCRIPTION	QTY
1	386-11-01-269	CONE TUBE	1
2	R10222	8" BAUER BALL SOCKET	1
3	386-11-01-270	FUNNEL CONE	1

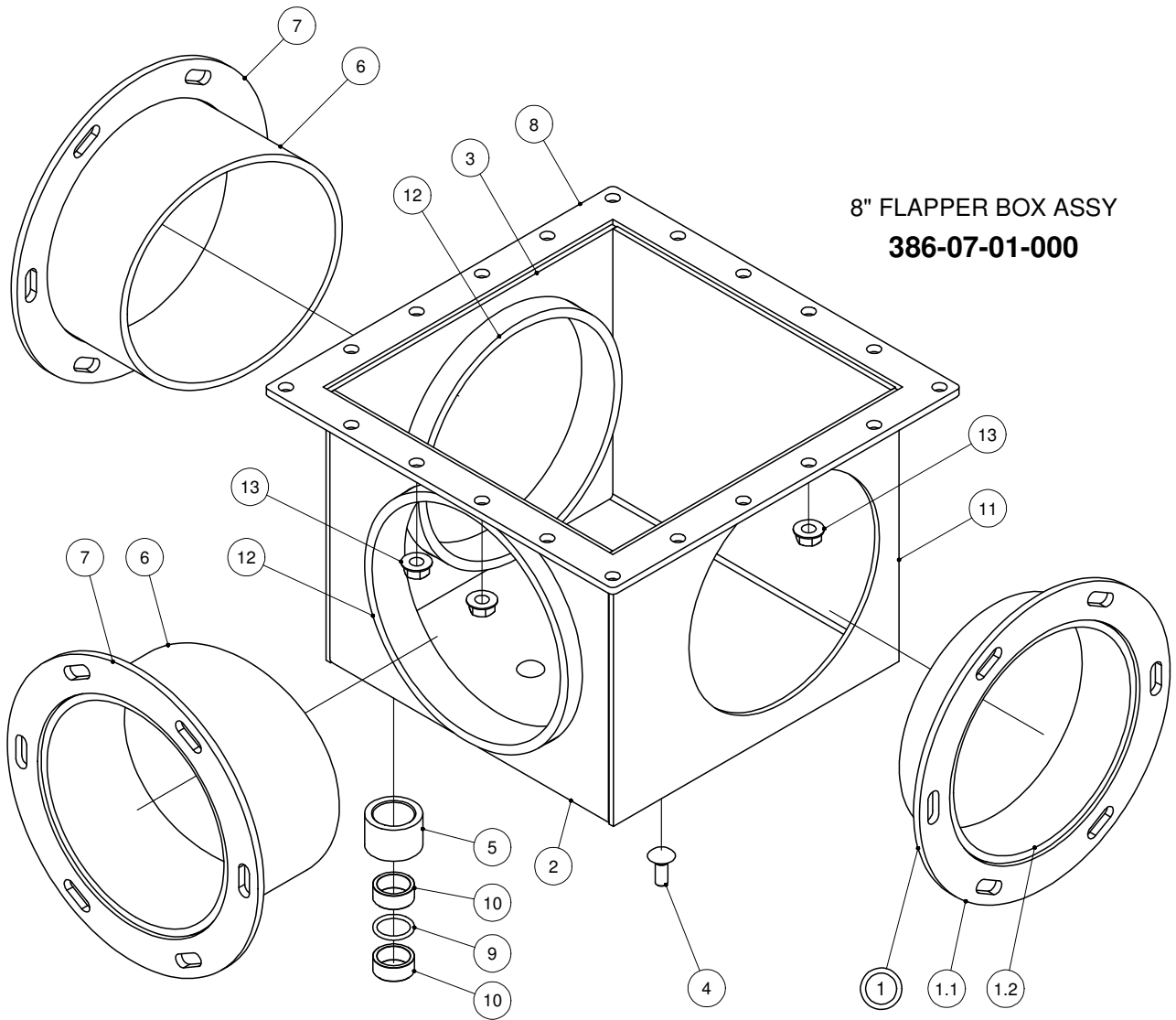
8" FLAPPER BOX KIT



**8" FLAPPER BOX KIT
386-13-00-000**

PARTS LIST				PARTS LIST			
ITEM	PART NUMBER	DESCRIPTION	QTY	ITEM	PART NUMBER	DESCRIPTION	QTY
1	386-07-01-000	8" FLAPPER BOX ASSY	1	3.2	R20225	URETHENE	1
2	386-07-05-000	COVER PLATE ASSY	1	4	386-13-01-000	HORIZONTAL CYLINDER & BRKT KIT-8"	1
2.1	386-07-05-114	COVER PLATE	1	5	364-58-11-000	FLAPPER BRKT ASSY	1
2.2	364-58-02-266	BUSHING SLEEVE	1	5.1	364-58-11-321	BRKT ARM	1
2.3	R20266	1 1/4 OD x 1 ID x 1/2 LONG BUSHING	2	5.2	364-58-11-322	ARM BRKT SLEEVE	1
2.4	R20859	O RING 1 x 1 1/4 x 1/8"	1	6	364-58-08-323	KEY	1
2.5	R07721	3/8 x 1 UNC CARRIAGE BOLT	2	7	R07906	5/16 x 3/8" SET SCREW	2
3	386-07-06-000	FLAPPER ASSY w/ URETHENE	1	8	R07879	7/16-14 UNC FLANGE NUT	20
3.1	386-07-04-000	FLAPPER ASSY	1	9	R07628	7/16 x 1 UNC HEX BOLT	17
3.1.1	386-07-04-113	FLAPPER SHAFT	1	10	R07671	7/16 x 1 1/4 UNC HEX BOLT	3
3.1.2	386-07-04-112	FLAPPER	1	11	R07794	3/8-16 UNC FLANGE NUT	1

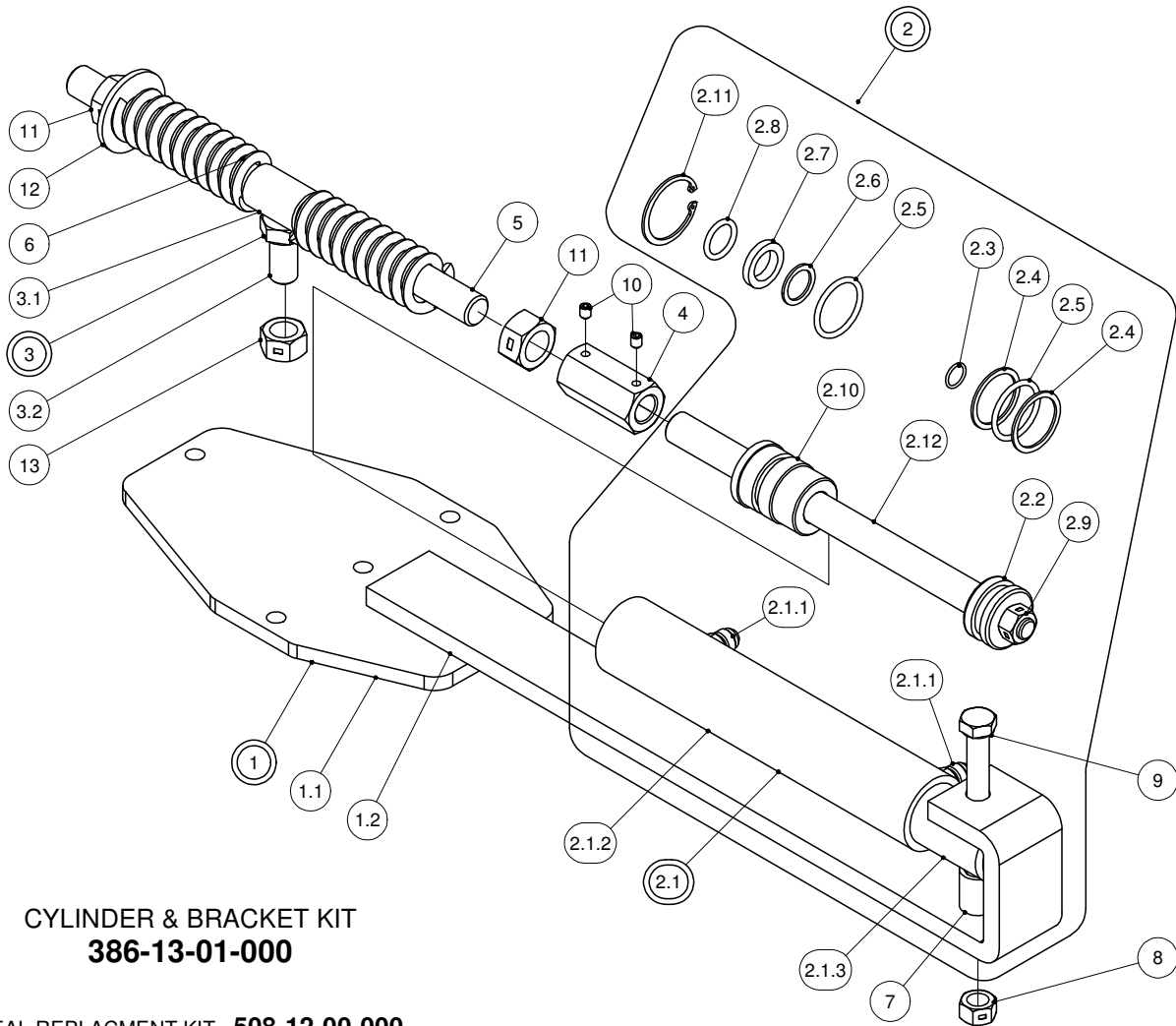
8" FLAPPER BOX ASSY



8" FLAPPER BOX ASSY
386-07-01-000

PARTS LIST			
ITEM	PART NUMBER	DESCRIPTION	QTY
1	386-07-02-000	8" INLET ASSY	1
1.1	358-92-02-306	8" DISCHARGE FLANGE	1
1.2	386-07-02-110	INLET PIPE	1
2	386-07-01-107	FLAPPER BOX	1
3	386-07-01-333	BOX BOTTOM	1
4	R07721	3/8 x 1 UNC CARRIAGE BOLT	3
5	364-58-02-266	BUSHING SLEEVE	1
6	386-07-03-111	OUTLET PIPE	2
7	358-92-02-306	8" DISCHARGE FLANGE	2
8	386-07-01-109	FLANGE	1
9	R20859	O RING 1 x 1 1/4 x 1/8"	1
10	R20266	1 1/4 OD x 1 ID x 1/2 LONG BUSHING	2
11	386-07-01-108	BOX TOP	1
12	386-07-01-332	8in BODY SLEEVE	2
13	R07879	7/16-14 UNC FLANGE NUT	4

8in CYLINDER & BRKT KIT

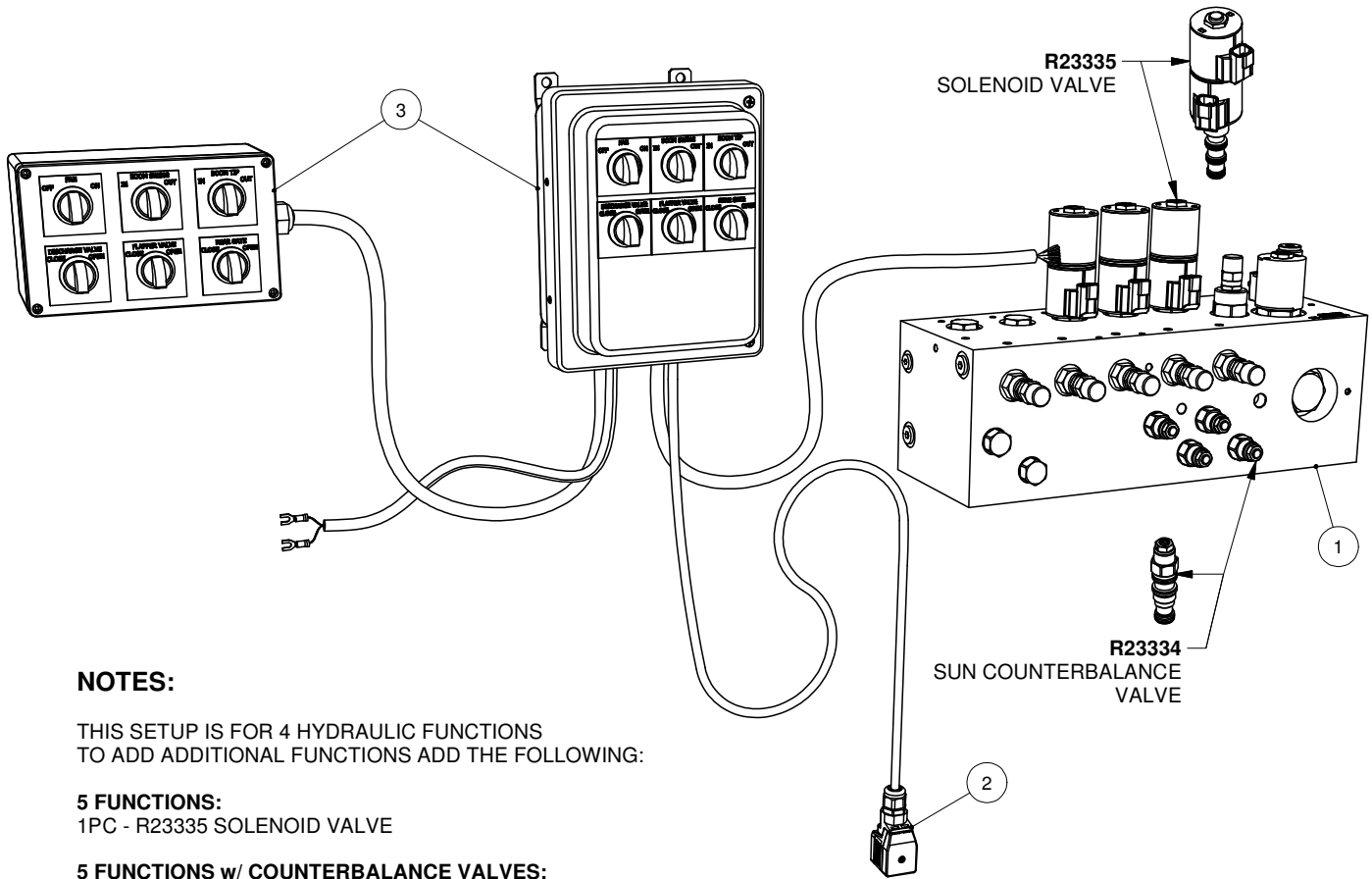


CYLINDER & BRACKET KIT 386-13-01-000

SEAL REPLACEMENT KIT - 508-12-00-000

PARTS LIST				PARTS LIST			
ITEM	PART NUMBER	DESCRIPTION	QTY	ITEM	PART NUMBER	DESCRIPTION	QTY
1	386-13-02-000	CYLINDER BRKT ASSY-8" VALVE	1	2.10	508-09-00-039	WIPER BLOCK - JIC	1
1.1	386-13-02-307	CYLINDER BRKT BOLT PLATE-8"	1	2.11	R08198	1 9/16" INTERNAL SNAP RING	1
1.2	386-13-02-342	CYLINDER BRKT (HOR CYLINDER)	1	2.12	275-15-00-122	HYDRAULIC CYLINDER SHAFT	1
2	508-11-00-000	DEFLECTOR CYL COMPLETE - JIC	1	3	364-58-10-000	PIVOT AND SLEEVE ASSY	1
2.1	508-11-01-000	DEFLECTOR CYL TUBE ASSY - JIC	1	3.1	364-58-10-320	PIVOT SLEEVE	1
2.1.1	R23151	3/8" M. JIC WELD FITTING	2	3.2	R07673	5/8 x 1 1/4 UNC HEX BOLT	1
2.1.2	508-11-01-038	DEFLECTOR CYL TUBE - JIC	1	4	364-58-08-257	3/4" COUPLER	1
2.1.3	508-11-01-042	DEFLECTOR CYL END CAP - JIC	1	5	364-58-08-319	EXTENSION SHAFT	1
2.2	340-36-00-435	CYLINDER PLUNGER	1	6	R08033	HP 68 x 3/4 x 4" SPRING	2
2.3	R20865	O-RING #11-014	1	7	364-58-08-318	SPACER PIPE	1
2.4	R20867	BACKUP RING #8-218	2	8	R07885	1/2-13 UNC 2-WAY LOCK NUT	1
2.5	R20866	O-RING #11-218	2	9	R07643	1/2 x 4 UNC HEX BOLT	1
2.6	R20862	3/4" BACKUP #210	1	10	R07907	1/4 x 5/16 UNC SET SCREW	2
2.7	R20774	3/4" HYTREL ROD WIPER 52-750	1	11	R07881	3/4-10 UNC 2-WAY LOCK NUT	2
2.8	R20771	O-RING #11-210	1	12	R07827	3/4" FLAT WASHER	1
2.9	R07885	1/2-13 UNC 2-WAY LOCK NUT	1	13	R07887	5/8-11 UNC 2-WAY LOCK NUT	1

UNIVERSAL HYD MANIFOLD KIT



NOTES:

THIS SETUP IS FOR 4 HYDRAULIC FUNCTIONS
TO ADD ADDITIONAL FUNCTIONS ADD THE FOLLOWING:

5 FUNCTIONS:

1PC - R23335 SOLENOID VALVE

5 FUNCTIONS w/ COUNTERBALANCE VALVES:

1PC - R23335 SOLENOID VALVE

2PC - R23334 SUN COUNTERBALANCE VALVE

6 FUNCTIONS:

2PC - R23335 SOLENOID VALVE

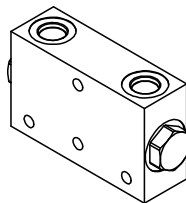
6 FUNCTIONS w/ COUNTERBALANCE VALVES ON FUNCTION #5:

2PC - R23335 SOLENOID VALVE

2PC - R23334 SUN COUNTERBALANCE VALVE

UNIVERSAL 4 FUNCTION
HYD MANIFOLD KIT
385-38-00-000

PARTS LIST			
ITEM	PART NUMBER	DESCRIPTION	QTY
1	R23333	UNIVERSAL TRUCKMOUNT MANIFOLD	1
2	R23336	PROPORTIONAL SOFT START DRIVER	1
3	R23337	UNIVERSAL MANIFOLD DUAL CONTROL BOX	1



R23329

DUAL P/O CHECK VALVE - ORB
USED ON BOOM TIP CYLINDER WHEN
UNIVERSAL MANIFOLD IS NOT USED