

Date Purchased \_\_\_\_\_

The key number system in this parts book is arranged as follows:

- ⊙ - Key numbers with two circles denotes main assemblies.
- - Key numbers with one circle are individual parts

Please order parts by number

# HUSKY

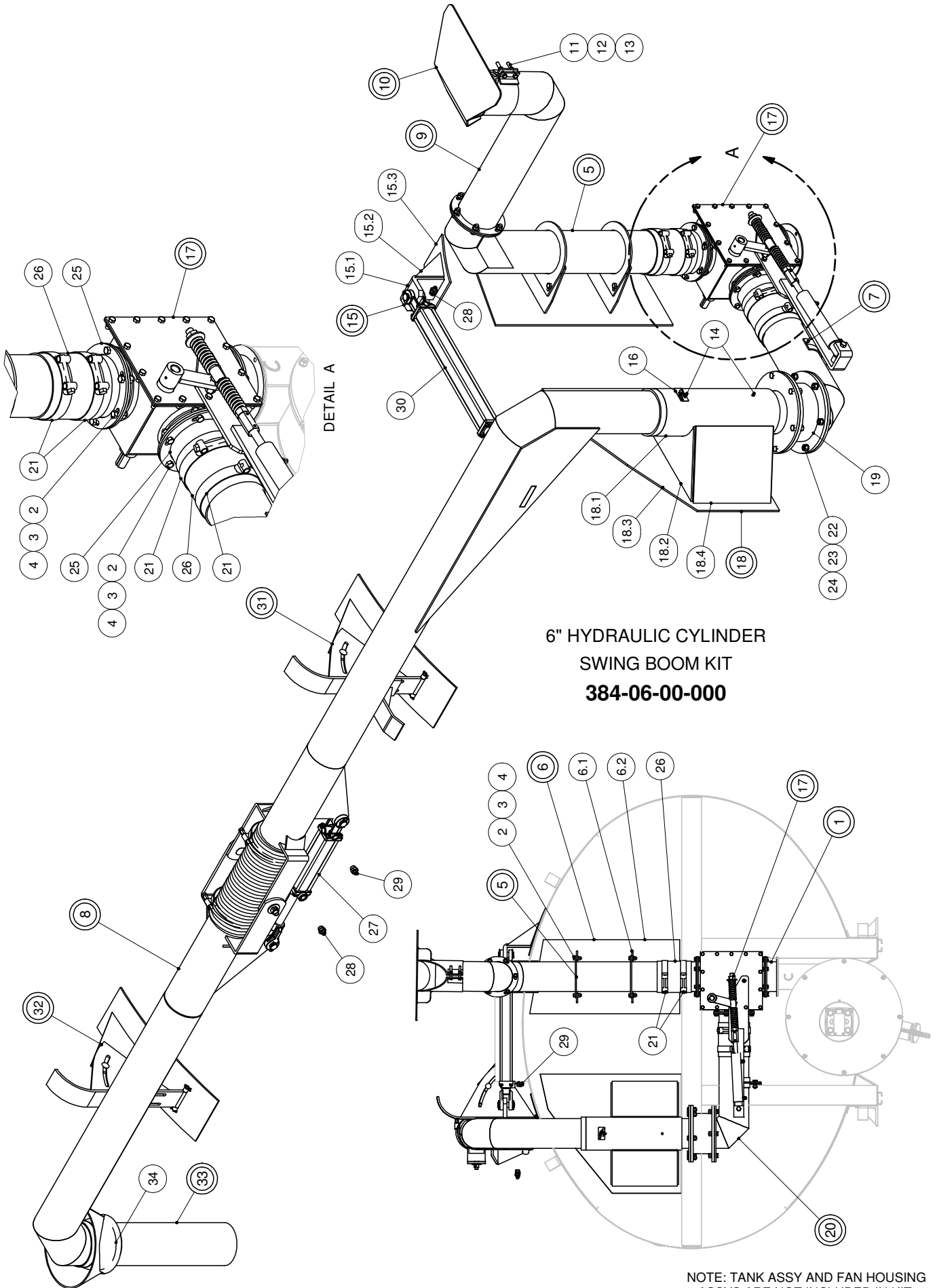
FARM EQUIPMENT

## 6" SWING BOOM KIT

**384-06-00-000** – Hydraulic Cylinder  
**384-38-00-000** – Hydraulic Orbit Motor



# 6" SWING BOOM KIT - HYD CYL



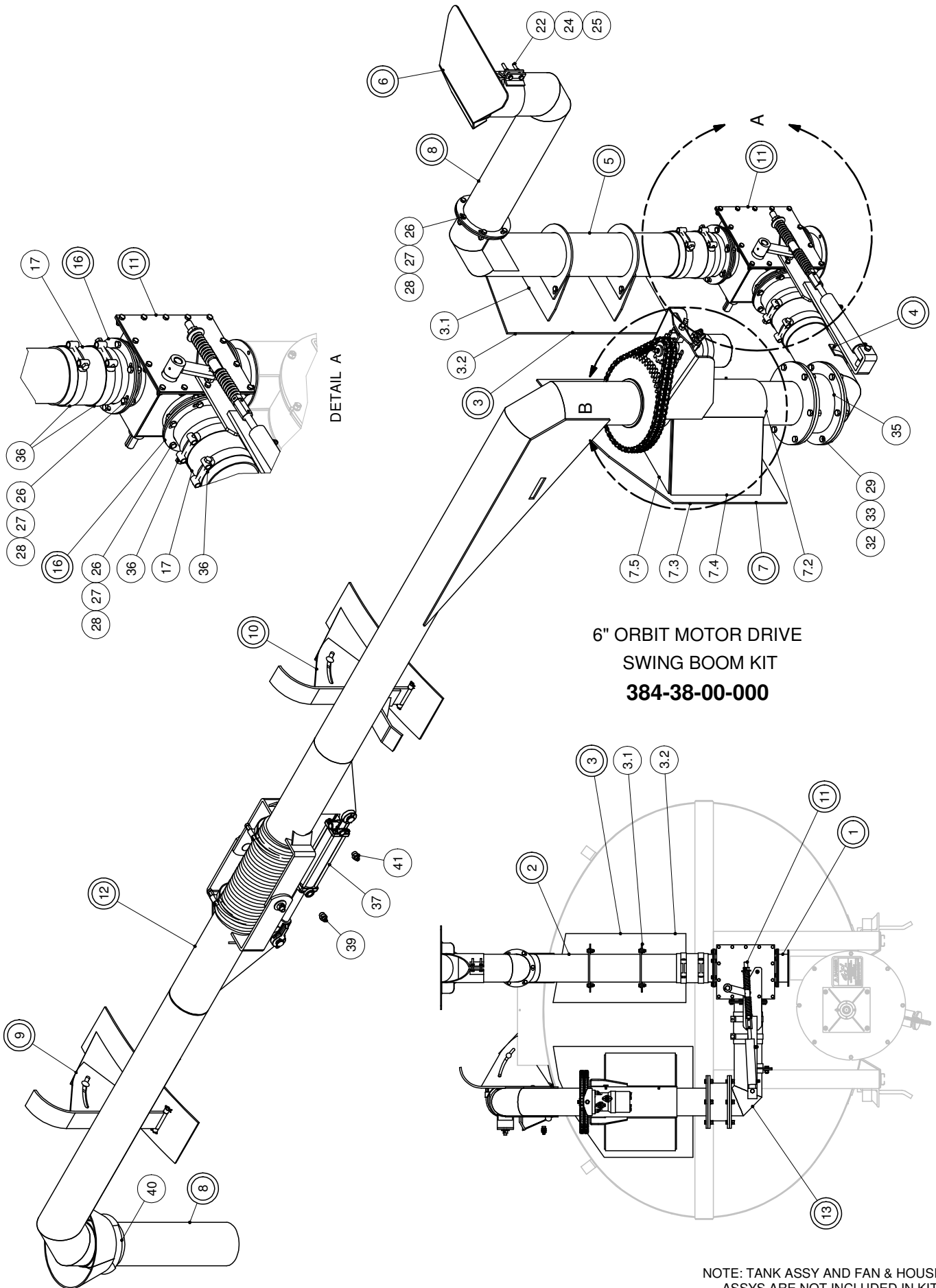
6" HYDRAULIC CYLINDER  
 SWING BOOM KIT  
**384-06-00-000**

NOTE: TANK ASSY AND FAN HOUSING ASSYS ARE NOT INCLUDED IN KIT.

## 6" SWING BOOM KIT - HYD CYL

PARTS LIST			
ITEM	PART NUMBER	DESCRIPTION	QTY
1	384-06-01-000	HOUSING TO VALVE CONN. ASSY	1
2	R07671	7/16 x 1 1/4 HEX BOLT	28
3	R07784	7/16 HEX NUT	28
4	R07804	7/16 LOCK WASHER	28
5	384-06-02-000	VERTICAL DISCHARGE PIPE ASSY	1
6	384-05-03-000	DISCHARGE SUPPORT ASSY - 6" PIPE	1
6.1	384-05-03-070	TANK BRKT	2
6.2	385-05-04-144	PIPE HOLDER BACK PLATE	1
7	384-06-18-000	SADDLE ASSY - 6"	1
8	384-06-22-000	BOOM ASSY COMPLETE w/ SNORKEL	1
9	364-25-00-000	DISCHARGE PIPE END SECTION ASSY	1
10	364-68-00-000	SPLASH PLATE ASSY	1
11	R07622	3/8 x 2 1/2 HEX BOLT	2
12	R07803	3/8 LOCK WASHER	2
13	R07783	3/8 HEX NUT	2
14	R08183	1/4" - 28 STRAIGHT GREASE FITTING	2
15	384-06-19-000	CYLINDER BRKT ASSY	1
15.1	384-06-19-199	CYLINDER BRKT	1
15.2	384-06-19-200	GUSSET	2
15.3	384-06-19-201	TANK REINFORCING PLATE	1
16	R09582	GREASE SYMBOL DECAL	1
17	364-57-00-000	6" FLAPPER VALVE KIT-HORIZONTAL	1
18	384-06-06-000	BOOM VERTICAL SUPPORT ASSY-6"	1
18.1	384-06-06-052	SUPPORT PIPE	1
18.2	384-38-04-468	FILLER PLATE	2
18.3	384-06-06-049	SUPPORT BACK PLATE	1
18.4	385-11-04-326	SIDE SUPPORT GUSSET	2
19	R10416	6" SWIVEL KIT	1
20	384-06-23-000	CROSS PIPE ASSY W/SWIVEL FLANGE	1
21	R02482	6" HOSE CLAMP	4
22	R07638	1/2 x 1 1/2 UNC HEX BOLT	12
23	R07805	1/2" LOCK WASHER	12
24	R07785	1/2-13 UNC HEX NUT	12
25	384-05-24-000	HOSE TUBE ASSY	2
26	296-00-00-071	FLEX HOSE	2
27	R23267	20TH08 HYD CYL-ORB	1
28	R23191	3/8" JIC M x ORB-8 M RESTRICTOR	2
29	R23091	ORB-8 X 3/8" JIC M ADAPTOR	2
30	R23273	20TH20 HYD CYL-ORB	1
31	385-28-00-000	UNIVERSAL BOOM HOLDER KIT	1
32	385-29-00-000	UNIVERSAL BOOM STOP KIT	1
33	384-19-01-000	6" BAUER FUNNEL ASSY	1
34	R09838	HK 159mm O-RING	1

# 6" SWING BOOM KIT - ORBIT DRIVE

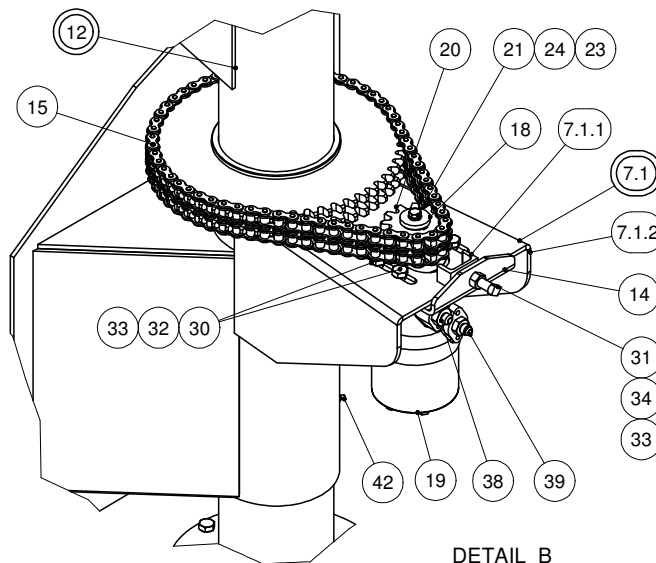


6" ORBIT MOTOR DRIVE  
SWING BOOM KIT  
**384-38-00-000**

NOTE: TANK ASSY AND FAN & HOUSING ASSYS ARE NOT INCLUDED IN KIT

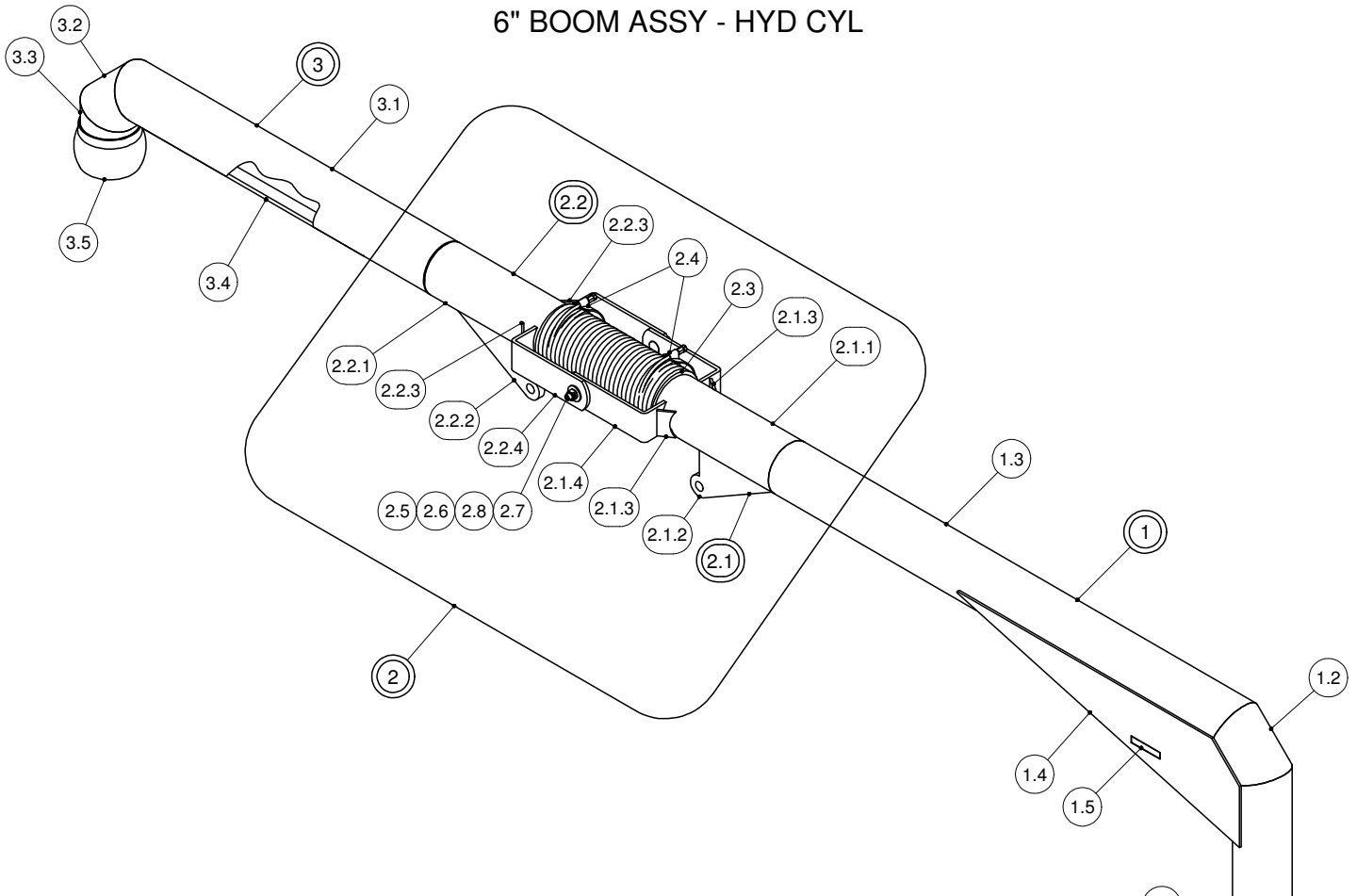
## 6" SWING BOOM KIT - ORBIT DRIVE

PARTS LIST				PARTS LIST			
ITEM	PART NUMBER	DESCRIPTION	QTY	ITEM	PART NUMBER	DESCRIPTION	QTY
1	384-06-01-000	HOUSING TO VALVE CONN. ASSY	1	17	296-00-00-071	FLEX HOSE	2
2	384-06-02-000	VERTICAL DISCHARGE PIPE ASSY	1	18	385-11-00-328	SPROCKET CAP	1
3	384-05-03-000	DISCHARGE SUPPORT ASSY - 6" PIPE	1	19	R22164	DANFOSS HYD MOTOR-OMH500	1
3.1	384-05-03-070	TANK BRKT	2	20	R21002	D60B12 SPROCKET-1 1/4" BORE	1
3.2	385-05-04-144	PIPE HOLDER BACK PLATE	1	21	R07675	3/8 x 1 1/4 UNC HEX BOLT	1
4	384-06-18-000	SADDLE ASSY - 6"	1	22	R07622	3/8 x 2 1/2 UNC HEX BOLT	2
5	364-25-00-000	DISCHARGE PIPE END SECTION ASSY	1	23	R07823	3/8" FLAT WASHER	3
6	364-68-00-000	SPLASH PLATE ASSY	1	24	R07803	3/8" LOCK WASHER	3
7	384-38-04-000	BOOM VERTICAL SUPPORT ASSY-6"	1	25	R07783	3/8-16 UNC HEX NUT	2
7.1	384-38-05-000	6" HYDRAULIC MOTOR MOUNT ASSY	1	26	R07671	7/16 x 1 1/4 UNC HEX BOLT	28
7.1.1	385-11-09-456	TIGHTENER BRACKET	1	27	R07804	7/16" LOCK WASHER	28
7.1.2	384-38-05-465	HYDRAULIC MOTOR MOUNT-6"	1	28	R07784	7/16-14 UNC HEX NUT	28
7.2	384-06-06-052	SUPPORT PIPE	1	29	R07638	1/2 x 1 1/2 UNC HEX BOLT	12
7.3	384-38-04-466	BOOM SUPPORT BACK PLATE	1	30	R07639	1/2 x 2 UNC HEX BOLT	4
7.4	384-38-04-467	SIDE SUPPORT GUSSET	2	31	R07918	1/2 x 2 UNC SQ HD SETSCREW	1
7.5	384-38-04-468	FILLER PLATE	2	32	R07805	1/2" LOCK WASHER	16
8	384-19-01-000	6" BAUER FUNNEL ASSY	1	33	R07785	1/2-13 UNC HEX NUT	17
9	385-29-00-000	UNIVERSAL BOOM STOP KIT	1	34	R08046	1/2-13 UNC JAM NUT	1
10	385-28-00-000	UNIVERSAL BOOM HOLDER KIT	1	35	R10416	6" SWIVEL KIT	1
11	364-57-00-000	6" FLAPPER VALVE KIT-HORIZONTAL	1	36	R02482	6" HOSE CLAMP	4
12	384-38-01-000	6" ORBIT BOOM ASSY COMPLETE w/ SNORKEL	1	37	R23267	20TH08 HYD CYL-ORB	1
				38	R23192	3/8" JIC M. x ORB-10 M. RESTRICTOR	1
13	384-06-23-000	CROSS PIPE ASSY W/SWIVEL FLANGE	1	39	R23091	ORB-8 X 3/8" JIC M ADAPTOR	2
14	385-11-00-457	TIGHTENER PLATE	1	40	R09838	HK 159mm O-RING	1
15	385-11-00-323	60-2 DOUBLE ROLLER CHAIN C/W CL	1	41	R23191	3/8" JIC M x ORB-8 M RESTRICTOR	1
16	384-05-24-000	HOSE TUBE ASSY	2	42	R08183	1/4" - 28 STRAIGHT GREASE FITTING	2



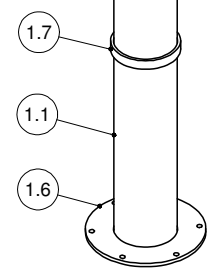
DANFOSS HYD MOTOR-OMH500  
REPLACEMENT SEAL KIT  
**R22460**

### 6" BOOM ASSY - HYD CYL



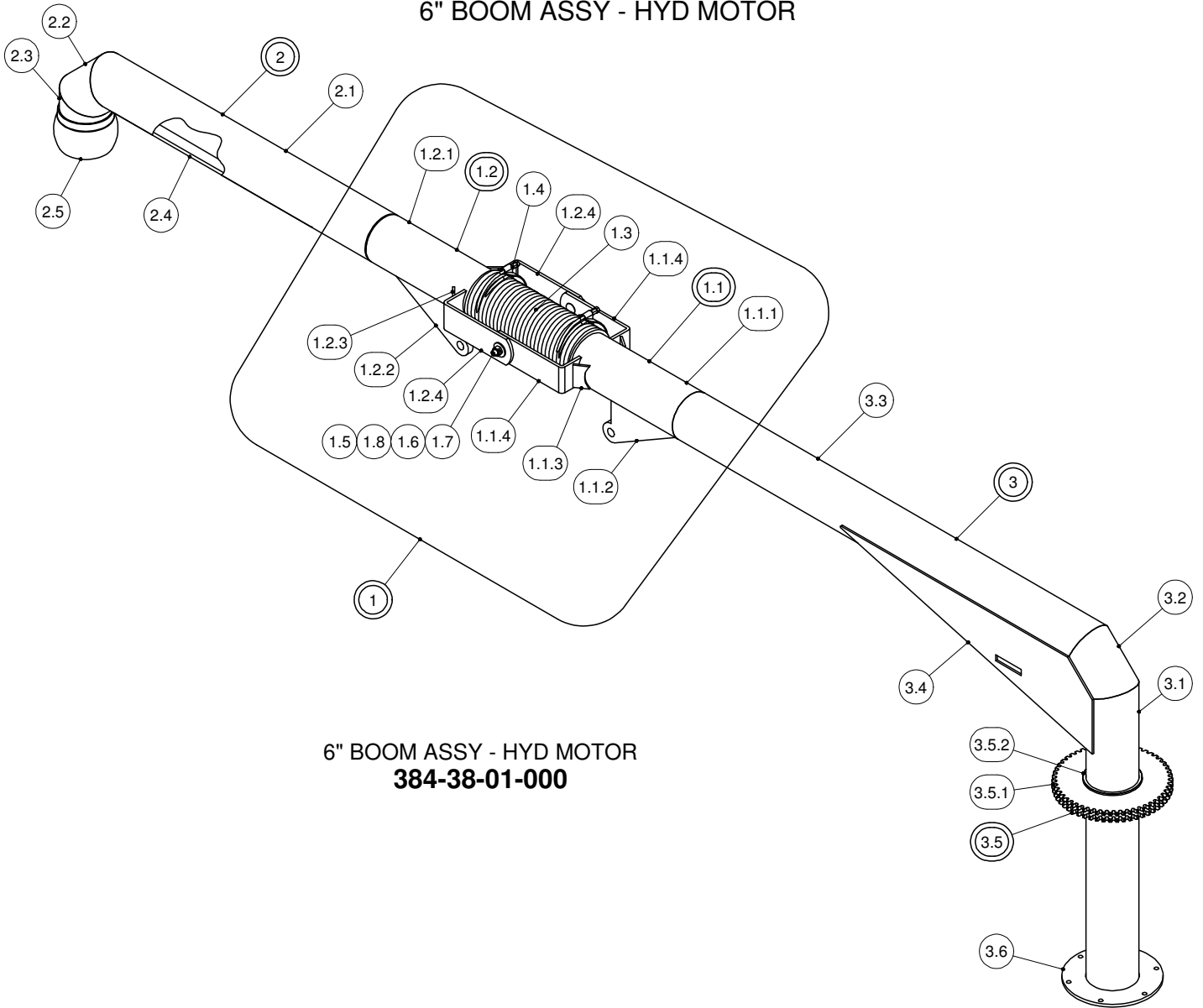
### 6" BOOM ASSY - 12000L & 15000L TANK

**384-06-22-000**



PARTS LIST				PARTS LIST			
ITEM	PART NUMBER	DESCRIPTION	QTY	ITEM	PART NUMBER	DESCRIPTION	QTY
1	384-06-04-000	BOOM SWIVEL PIPE ASSY - 6"	1	2.2.2	384-06-04-046	HYDRAULIC CYLINDER BRKT	1
1.1	384-06-04-039	BOOM VERTICAL DISCHARGE TUBE	1	2.2.3	244-05-46-301	GUSSET	2
1.2	384-06-04-040	PIPE CORNER PC	1	2.2.4	384-06-05-304	OUTER PIVOT BRKT	2
1.3	384-06-04-041	BOOM MAIN DISCHARGE PIPE	1	2.3	384-06-00-056	6" FLEX HOSE	1
1.4	384-06-04-168	BOOM GUSSET	2	2.4	R02843	6" SPIRAL CLAMP	2
1.5	384-06-04-226	CYLINDER BRKT - 6" PIPE	1	2.5	384-06-21-305	SPACER PIPE	2
1.6	385-06-02-176	COUPLING FLANGE	1	2.6	R07887	5/8 2 WAY LOCK HEX NUT	2
1.7	384-05-02-030	STOP PIPE	1	2.7	R07754	5/8 x 2" CARRIAGE BOLT	2
2	384-06-21-000	6" SNORKEL KIT	1	2.8	R07826	5/8 FLAT WASHER	2
2.1	384-06-08-000	INNER PIVOT BRKT ASSY - 6"	1	3	384-06-07-000	OUTER BOOM ASSY - 6"	1
2.1.1	384-06-05-048	BARBED ELBOW END	1	3.1	384-06-07-053	OUTER BOOM TUBE	1
2.1.2	384-06-04-046	HYDRAULIC CYLINDER BRKT	1	3.2	384-05-02-028	PIPE CORNER PC	1
2.1.3	244-05-46-301	GUSSET	2	3.3	384-06-07-054	OUTER TUBE END PC	1
2.1.4	384-06-08-303	INNER PIVOT BRKT	2	3.4	384-06-07-463	DISCHARGE PIPE WEAR BAR	1
2.2	384-06-05-000	OUTER PIVOT BRKT ASSY - 6"	1	3.5	R09837	159 mm BAUER BALL	1
2.2.1	384-06-05-048	BARBED ELBOW END	1				

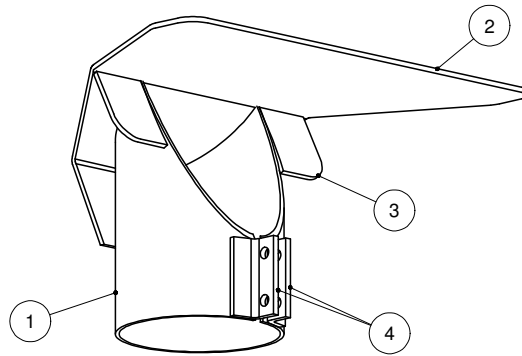
## 6" BOOM ASSY - HYD MOTOR



**6" BOOM ASSY - HYD MOTOR**  
**384-38-01-000**

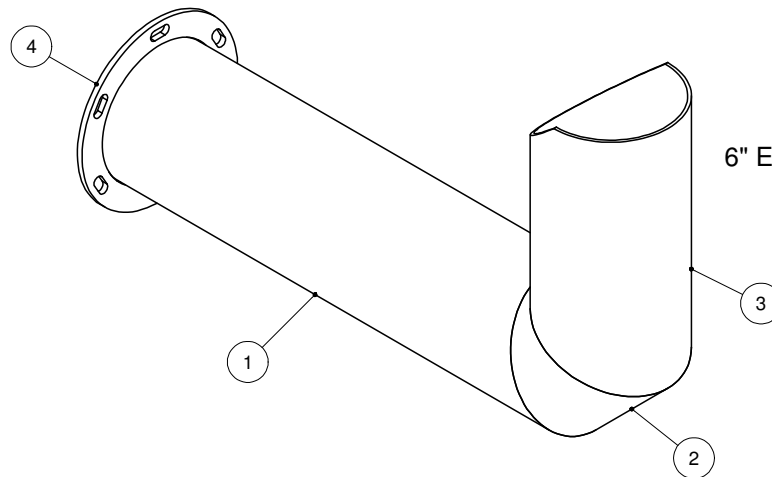
PARTS LIST				PARTS LIST			
ITEM	PART NUMBER	DESCRIPTION	QTY	ITEM	PART NUMBER	DESCRIPTION	QTY
1	384-06-21-000	6" SNORKEL KIT	1	1.8	R07826	5/8 FLAT WASHER	2
1.1	384-06-08-000	INNER PIVOT BRKT ASSY - 6"	1	2	384-06-07-000	OUTER BOOM ASSY - 6"	1
1.1.1	384-06-05-048	BARBED ELBOW END	1	2.1	384-06-07-053	OUTER BOOM TUBE	1
1.1.2	384-06-04-046	HYDRAULIC CYLINDER BRKT	1	2.2	384-05-02-028	PIPE CORNER PC	1
1.1.3	244-05-46-301	GUSSET	2	2.3	384-06-07-054	OUTER TUBE END PC	1
1.1.4	384-06-08-303	INNER PIVOT BRKT	2	2.4	384-06-07-463	DISCHARGE PIPE WEAR BAR	1
1.2	384-06-05-000	OUTER PIVOT BRKT ASSY - 6"	1	2.5	R09837	159 mm BAUER BALL	1
1.2.1	384-06-05-048	BARBED ELBOW END	1	3	384-38-02-000	BOOM ORBIT SWIVEL PIPE ASSY - 6"	1
1.2.2	384-06-04-046	HYDRAULIC CYLINDER BRKT	1	3.1	384-06-04-039	BOOM VERTICAL DISCHARGE TUBE	1
1.2.3	244-05-46-301	GUSSET	2	3.2	384-06-04-040	PIPE CORNER PC	1
1.2.4	384-06-05-304	OUTER PIVOT BRKT	2	3.3	384-06-04-041	BOOM MAIN DISCHARGE PIPE	1
1.3	384-06-00-056	6" FLEX HOSE	1	3.4	384-06-04-168	BOOM GUSSET	2
1.4	R02843	6" SPIRAL CLAMP	2	3.5	384-38-03-000	SPROCKET ASSY-60A54	1
1.5	384-06-21-305	SPACER PIPE	2	3.5.1	R20633	60A54 SPROCKET-6 3/4" BORE	2
1.6	R07887	5/8 2 WAY LOCK HEX NUT	2	3.5.2	384-38-03-464	6" SPROCKET HOLDER	1
1.7	R07754	5/8 x 2" CARRIAGE BOLT	2	3.6	385-06-02-176	COUPLING FLANGE	1

## 6" VERTICAL DISCHARGE PARTS



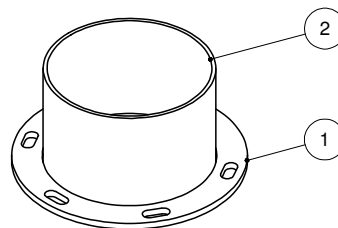
**6" SPLASH PLATE ASSY**  
**364-68-00-000**

PARTS LIST			
ITEM	PART NUMBER	DESCRIPTION	QTY
1	364-68-00-215	CLAMPING TUBE	1
2	364-21-00-069	SPLASH PLATE	1
3	364-21-00-224	SPLASH PLATE WING	2
4	364-21-00-071	CLAMPING TUBE BRKT	2



**6" EXTENSION PIPE ASSY**  
**364-25-00-000**

PARTS LIST			
ITEM	PART NUMBER	DESCRIPTION	QTY
1	364-25-00-088	DISCHARGE PIPE FLANGE PC	1
2	364-19-00-082	DISCHARGE PIPE CORNER PC	1
3	364-25-00-067	DISCHARGE PIPE END PC	1
4	364-19-00-087	DISCHARGE PIPE FLANGE	1

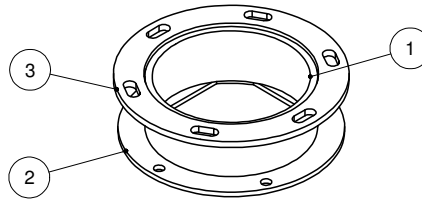


**HOSE TUBE ASSY**  
**384-05-24-000**

PARTS LIST			
ITEM	PART NUMBER	DESCRIPTION	QTY
1	364-19-00-087	DISCHARGE PIPE FLANGE	1
2	364-01-03-063	DISCHARGE TUBE	1

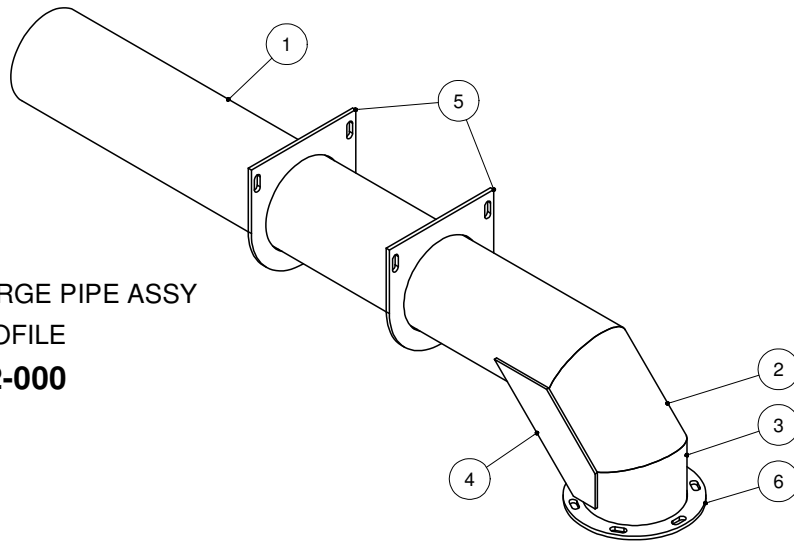


## 6" VERTICAL DISCHARGE & SWING BOOM PARTS



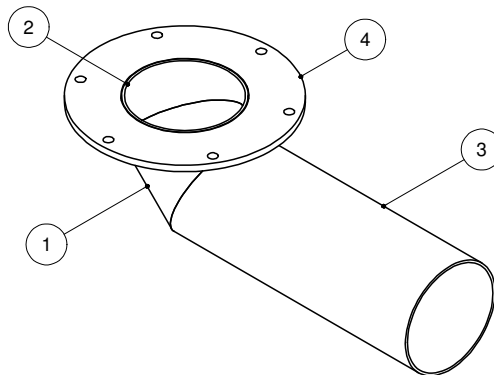
**HOUSING TO VALVE CONNECTION**  
**384-06-01-000**

PARTS LIST			
ITEM	PART NUMBER	DESCRIPTION	QTY
1	384-05-01-026	EXTENSION TUBE	1
2	364-01-03-376	DISCHARGE RING	1
3	364-19-00-087	DISCHARGE PIPE FLANGE	1



**6" VERTICAL DISCHARGE PIPE ASSY**  
**15000L PROFILE**  
**384-06-02-000**

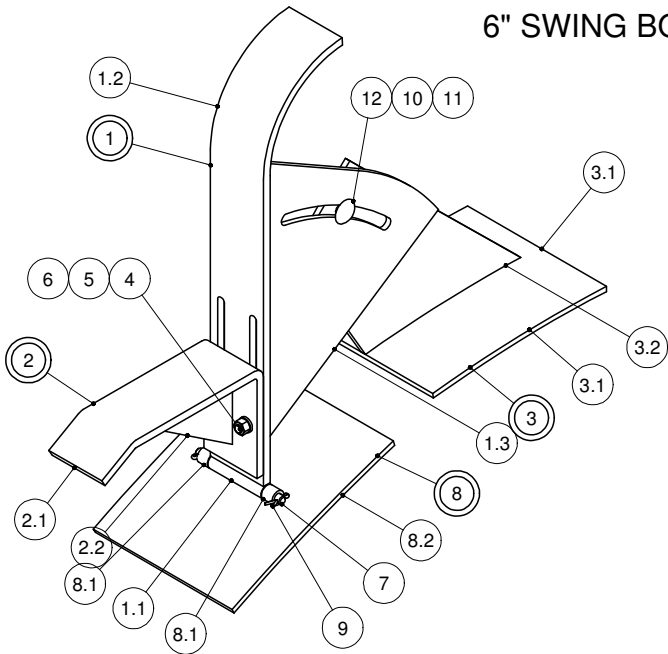
PARTS LIST				PARTS LIST			
ITEM	PART NUMBER	DESCRIPTION	QTY	ITEM	PART NUMBER	DESCRIPTION	QTY
1	384-06-02-037	VERTICAL DISCHARGE TUBE - 15L P	1	4	384-05-02-097	GUSSET	2
2	384-05-02-028	PIPE CORNER PC	1	5	384-05-02-069	TUBE ATTACHMENT BRKT	2
3	384-05-02-029	PIPE END PC	1	6	364-19-00-087	DISCHARGE PIPE FLANGE	1



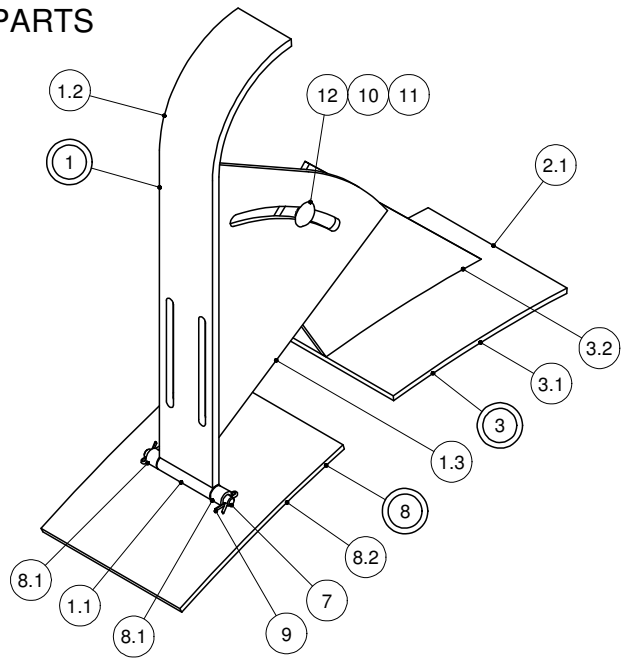
**CROSS PIPE ASSY**  
**384-06-23-000**

PARTS LIST			
ITEM	PART NUMBER	DESCRIPTION	QTY
1	384-06-03-533	PIPE CORNER PC	1
2	384-06-03-532	PIPE END PC	1
3	384-06-23-572	STUB CROSS PIPE	1
4	385-06-02-176	COUPLING FLANGE	1

## 6" SWING BOOM PARTS

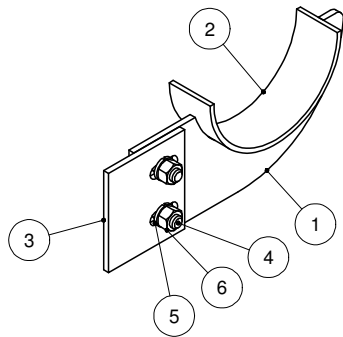


**UNIVERSAL BOOM HOLDER KIT  
385-28-00-000**

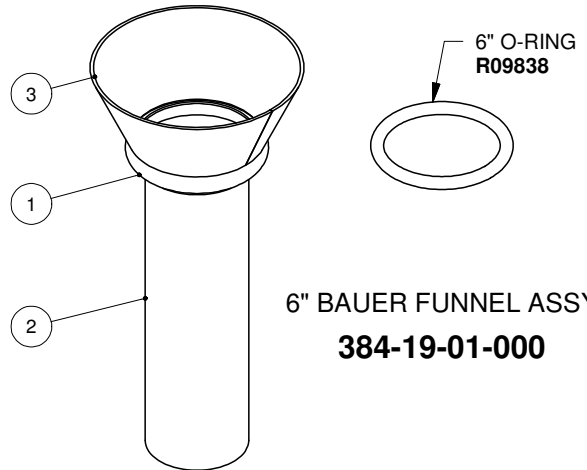


**UNIVERSAL BOOM STOP KIT  
385-29-00-000**

PARTS LIST				PARTS LIST			
ITEM	PART NUMBER	DESCRIPTION	QTY	ITEM	PART NUMBER	DESCRIPTION	QTY
1	385-28-01-000	VERTICAL STOP ASSY	1	5	R07803	3/8" LOCK WASHER	2
1.1	385-28-01-521	LONG PIVOT SLEEVE	1	6	R07783	3/8-16 UNC HEX NUT	2
1.2	385-28-01-522	VERTICAL ADJUSTABLE STOP	1	7	385-28-00-528	PIVOT PIN	1
1.3	385-28-01-523	BACK GUSSET	1	8	385-28-02-000	LOWER TANK PLATE ASSY	1
2	385-28-03-000	ADJUSTABLE SEAT ASSY	1	8.1	385-28-02-524	SHORT PIVOT SLEEVE	2
2.1	385-28-03-526	ADJUSTABLE SEAT	1	8.2	385-28-02-525	TANK PLATE	1
2.2	385-28-03-527	SEAT GUSSET	1	9	R08021	1/8 x 1 S.S. COTTER PIN	2
3	385-28-04-000	UPPER TANK PLATE ASSY	1	10	R07785	1/2-13 UNC HEX NUT	1
3.1	385-28-02-525	TANK PLATE	1	11	R07805	1/2" LOCK WASHER	1
3.2	385-28-04-529	UPPER TANK PLATE BRKT	1	12	R07742	1/2 x 1 1/4 UNC CARRIAGE BOLT	1
4	R07722	3/8 x 1 1/4 UNC CARRIAGE BOLT	2				



**6" SADDLE ASSY  
384-06-18-000**

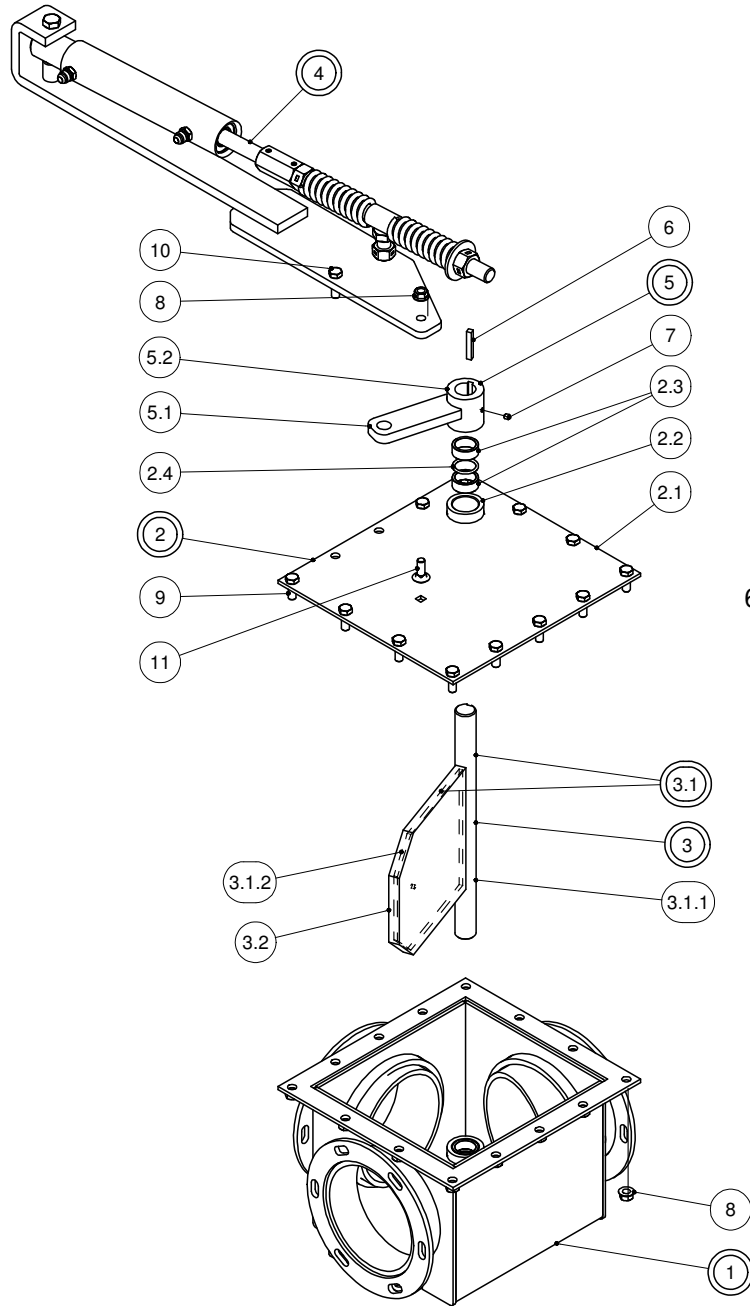


**6" BAUER FUNNEL ASSY  
384-19-01-000**

PARTS LIST			
ITEM	PART NUMBER	DESCRIPTION	QTY
1	384-06-18-170	SADDLE HOLDER	1
2	384-06-18-169	6" SADDLE	1
3	384-06-18-459	SADDLE ADJUSTMENT BRKT	1
4	R07674	1/2 x 1 1/4 UNC HEX BOLT	2
5	R07805	1/2" LOCK WASHER	2
6	R07785	1/2-13 UNC HEX NUT	2

PARTS LIST			
ITEM	PART NUMBER	DESCRIPTION	QTY
1	R09836	6" BAUER SOCKET	1
2	384-19-01-284	CONE TUBE	1
3	384-19-01-285	BAUER FUNNEL CONE	1

## 6" FLAPPER BOX KIT

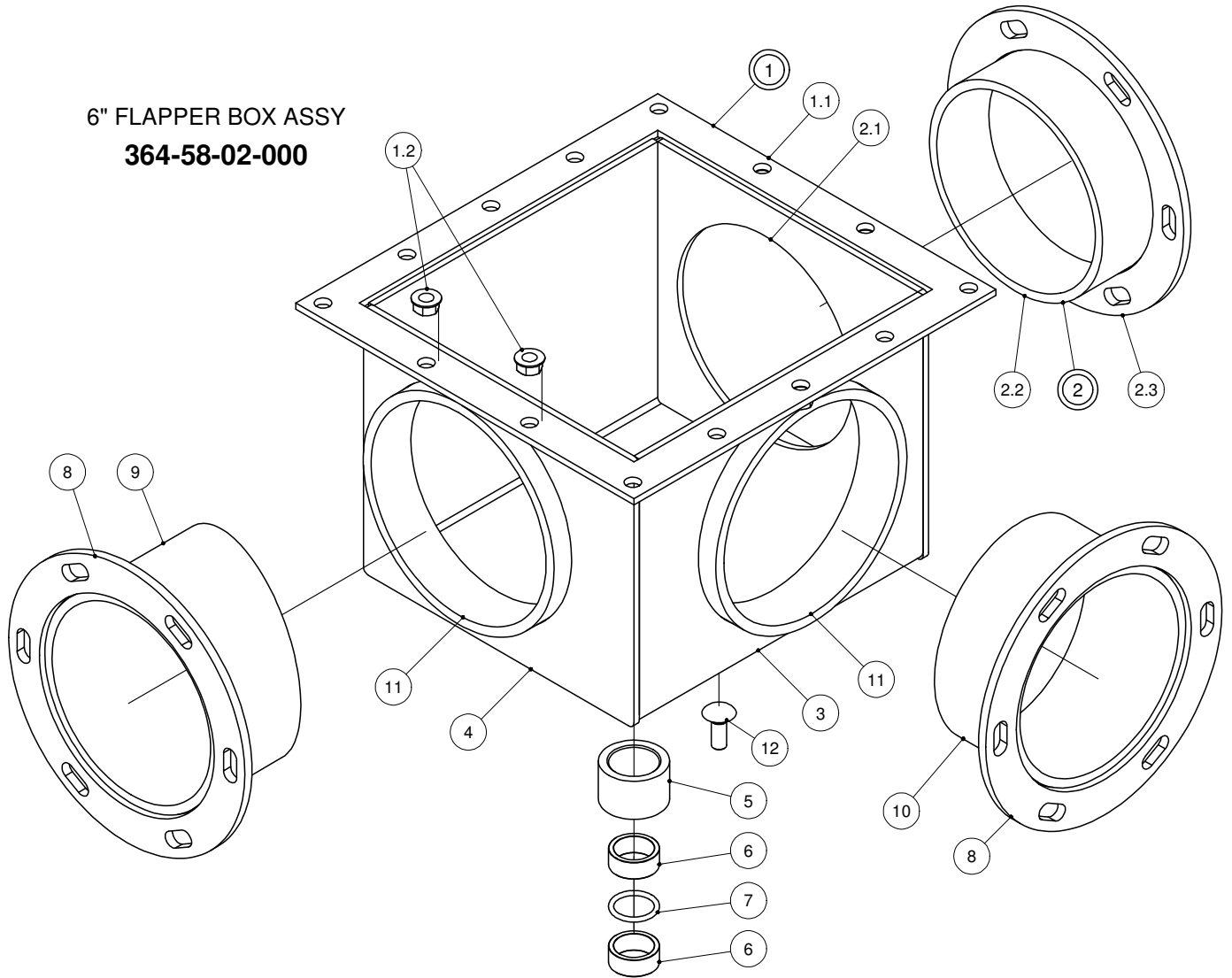


**6" FLAPPER BOX KIT**  
**364-57-00-000**

PARTS LIST				PARTS LIST			
ITEM	PART NUMBER	DESCRIPTION	QTY	ITEM	PART NUMBER	DESCRIPTION	QTY
1	364-58-02-000	MAIN BODY ASSY	1	4	364-58-17-000	CYLINDER & BRKT KIT-HORIZONTAL STYLE	1
2	364-58-03-000	COVER PLATE ASSY	1	5	364-58-11-000	FLAPPER BRKT ASSY	1
2.1	364-58-03-267	COVER PLATE	1	5.1	364-58-11-321	BRKT ARM	1
2.2	364-58-02-266	BUSHING SLEEVE	1	5.2	364-58-11-322	ARM BRKT SLEEVE	1
2.3	R20266	1 1/4 OD x 1 ID x 1/2 LONG BUSHING	2	6	364-58-08-323	KEY	1
2.4	R20859	O RING 1 x 1 1/4 x 1/8"	1	7	R07929	1/4-28 UNF x 1/4" SET SCREW	2
3	364-58-01-000	FLAPPER ASSY COMPLETE w/ URETHANE	1	8	R07794	3/8-16 UNC FLANGE NUT	10
3.1	364-58-14-000	FLAPPER ASSY	1	9	R07619	3/8 x 1 UNC HEX BOLT	12
3.1.1	364-58-01-262	FLAPPER SHAFT	1	10	R07675	3/8 x 1 1/4 UNC HEX BOLT	2
3.1.2	364-58-01-261	FLAPPER	1	11	R07721	3/8 x 1 UNC CARRIAGE BOLT	1
3.2	R20216	URETHANE	1				

## 6" FLAPPER BOX ASSY

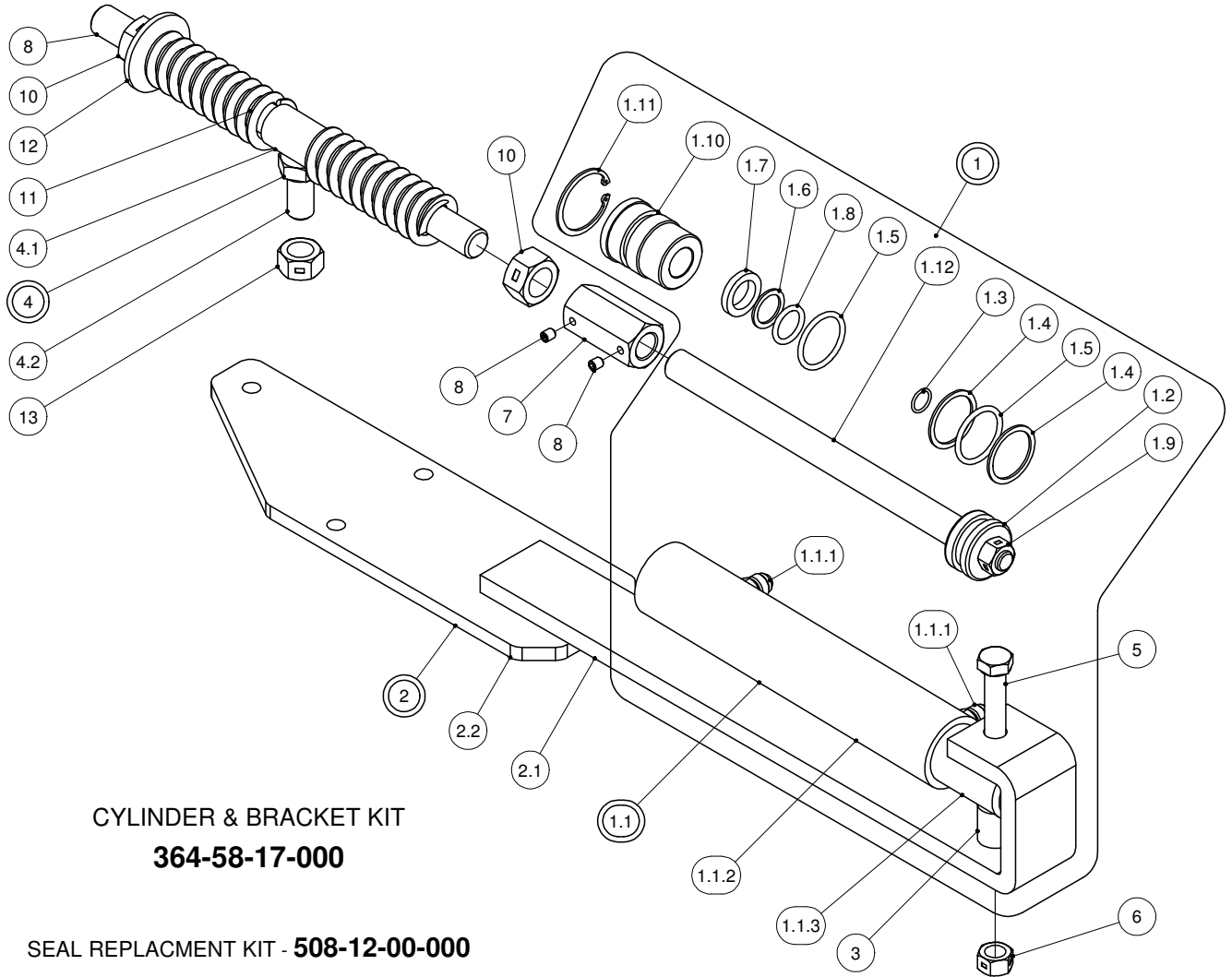
**6" FLAPPER BOX ASSY**  
**364-58-02-000**



### PARTS LIST

ITEM	PART NUMBER	DESCRIPTION	QTY
1	364-58-15-000	FLANGE ASSY	1
1.1	364-58-02-265	FLANGE	1
1.2	R07794	3/8-16 UNC FLANGE NUT	5
2	364-58-05-000	INLET TUBE ASSY	1
2.1	364-58-02-416	NOTCHED BODY END PLATE	1
2.2	364-58-05-269	INLET TUBE	1
2.3	364-19-00-087	DISCHARGE PIPE FLANGE	1
3	364-58-02-263	FLAPPER VALVE BODY	1
4	364-58-02-264	VALVE BODY END	1
5	364-58-02-266	BUSHING SLEEVE	1
6	R20266	1 1/4 OD x 1 ID x 1/2 LONG BUSHING	2
7	R20859	O RING 1 x 1 1/4 x 1/8"	1
8	364-19-00-087	DISCHARGE PIPE FLANGE	2
9	364-58-04-268	OUTLET TUBE	1
10	364-58-06-255	AGITATOR TUBE	1
11	364-58-02-520	BODY SLEEVE	2
12	R07721	3/8 x 1 UNC CARRIAGE BOLT	1

## 6" CYLINDER & BRKT KIT

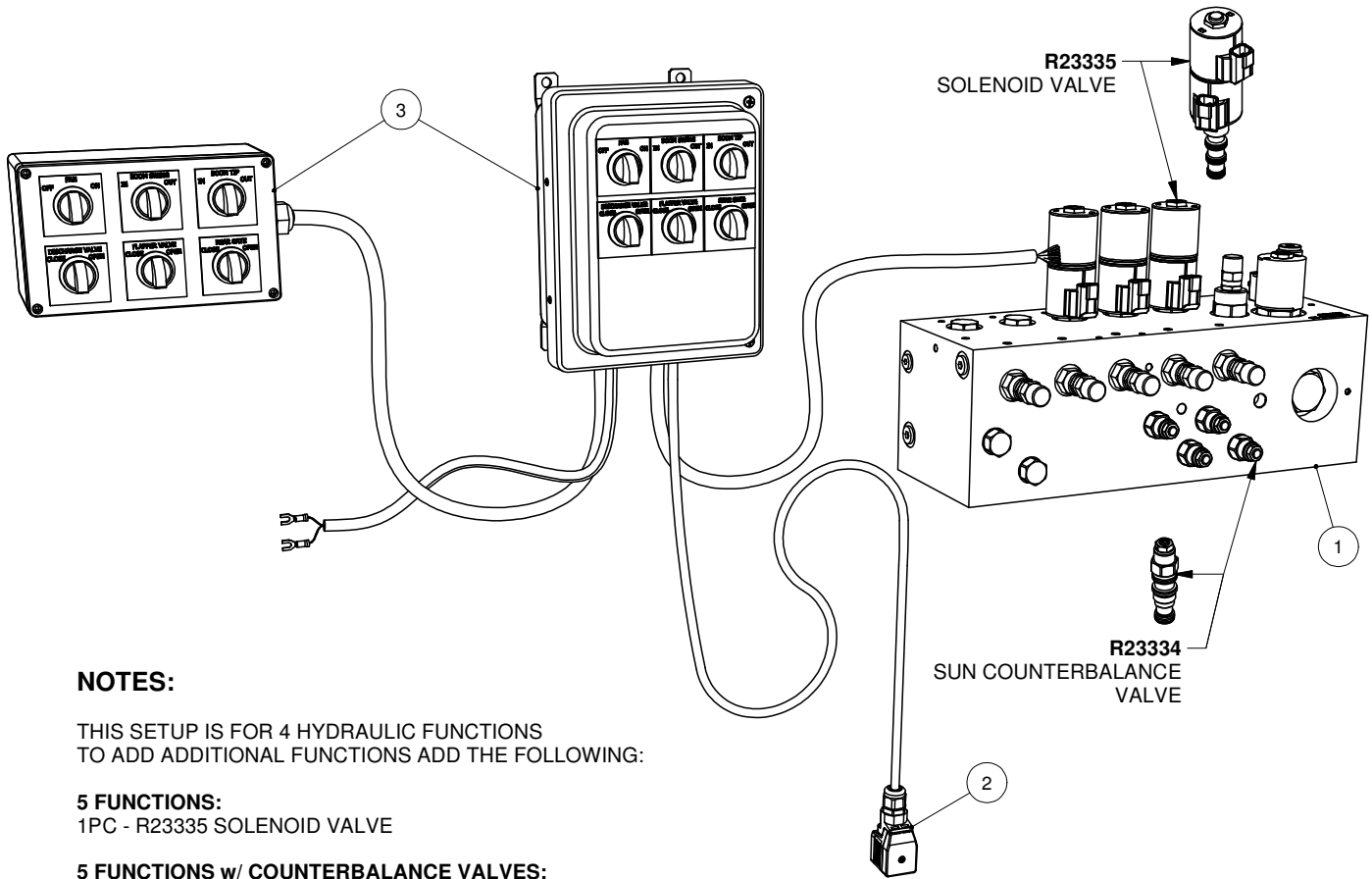


**CYLINDER & BRACKET KIT  
364-58-17-000**

SEAL REPLACEMENT KIT - **508-12-00-000**

PARTS LIST				PARTS LIST			
ITEM	PART NUMBER	DESCRIPTION	QTY	ITEM	PART NUMBER	DESCRIPTION	QTY
1	508-11-00-000	DEFLECTOR CYL COMPLETE - JIC	1	2	364-58-16-000	CYLINDER BRKT ASSY	1
1.1	508-11-01-000	DEFLECTOR CYL TUBE ASSY - JIC	1	2.1	364-58-09-317	CYLINDER BRKT	1
1.1.1	R23151	3/8" M. JIC WELD FITTING	2	2.2	364-58-16-508	CYLINDER BRKTBOLT PLATE	1
1.1.2	508-11-01-038	DEFLECTOR CYL TUBE - JIC	1	3	364-58-08-318	SPACER PIPE	1
1.1.3	508-11-01-042	DEFLECTOR CYL END CAP - JIC	1	4	364-58-10-000	PIVOT AND SLEEVE ASSY	1
1.2	340-36-00-435	CYLINDER PLUNGER	1	4.1	364-58-10-320	PIVOT SLEEVE	1
1.3	R20865	O-RING #11-014	1	4.2	R07673	5/8 x 1 1/4 UNC HEX BOLT	1
1.4	R20867	BACKUP RING #8-218	2	5	364-58-08-257	3/4" COUPLER	1
1.5	R20866	O-RING #11-218	2	6	364-58-08-319	EXTENSION SHAFT	1
1.6	R20862	3/4" BACKUP #210	1	7	R08033	HP 68 x 3/4 x 4" SPRING	2
1.7	R20774	3/4" HYTREL ROD WIPER 52-750	1	8	R07907	1/4 x 5/16 UNC SET SCREW	2
1.8	R20771	O-RING #11-210	1	9	R07887	5/8-11 UNC 2-WAY LOCK NUT	1
1.9	R07885	1/2-13 UNC 2-WAY LOCK NUT	1	10	R07643	1/2 x 4 UNC HEX BOLT	1
1.10	508-09-00-039	WIPER BLOCK - JIC	1	11	R07885	1/2-13 UNC 2-WAY LOCK NUT	1
1.11	R08198	1 9/16" INTERNAL SNAP RING	1	12	R07881	3/4-10 UNC 2-WAY LOCK NUT	2
1.12	275-15-00-122	HYDRAULIC CYLINDER SHAFT	1	13	R07827	3/4" FLAT WASHER	1

# UNIVERSAL HYD MANIFOLD KIT



**NOTES:**

THIS SETUP IS FOR 4 HYDRAULIC FUNCTIONS  
TO ADD ADDITIONAL FUNCTIONS ADD THE FOLLOWING:

**5 FUNCTIONS:**

1PC - R23335 SOLENOID VALVE

**5 FUNCTIONS w/ COUNTERBALANCE VALVES:**

1PC - R23335 SOLENOID VALVE

2PC - R23334 SUN COUNTERBALANCE VALVE

**6 FUNCTIONS:**

2PC - R23335 SOLENOID VALVE

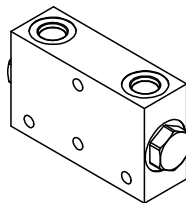
**6 FUNCTIONS w/ COUNTERBALANCE VALVES ON FUNCTION #5:**

2PC - R23335 SOLENOID VALVE

2PC - R23334 SUN COUNTERBALANCE VALVE

**UNIVERSAL 4 FUNCTION  
HYD MANIFOLD KIT  
385-38-00-000**

PARTS LIST			
ITEM	PART NUMBER	DESCRIPTION	QTY
1	R23333	UNIVERSAL TRUCKMOUNT MANIFOLD	1
2	R23336	PROPORTIONAL SOFT START DRIVER	1
3	R23337	UNIVERSAL MANIFOLD DUAL CONTROL BOX	1



**R23329**  
DUAL P/O CHECK VALVE - ORB  
*USED ON BOOM TIP CYLINDER WHEN  
UNIVERSAL MANIFOLD IS NOT USED*