

Date Purchased _____ Machine Serial No. _____

The key number system in this parts book is arranged as follows:

- ⊙ - Key numbers with two circles denotes main assemblies.
- - Key numbers with one circle are individual parts

Please order parts by number

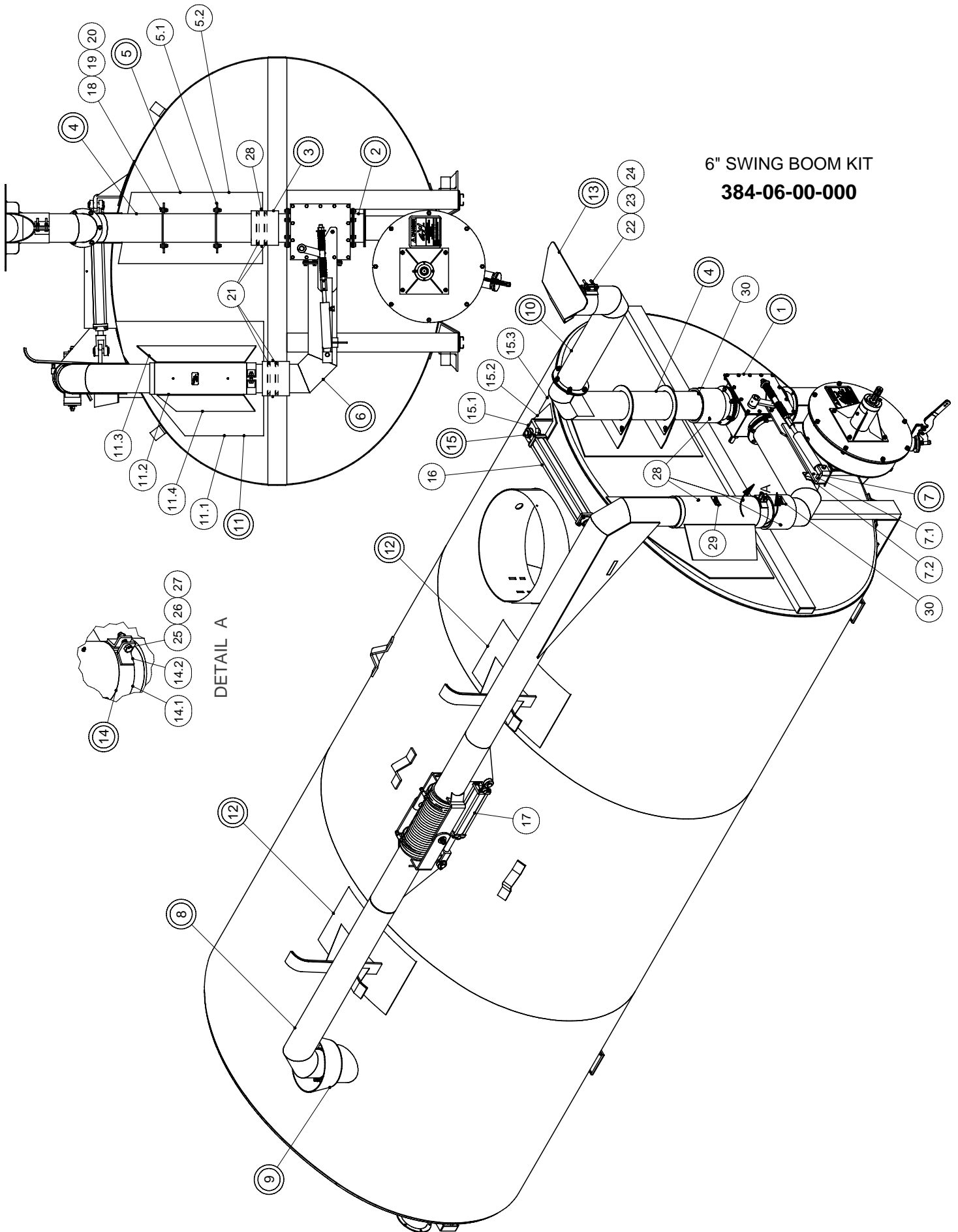
HUSKY
FARM EQUIPMENT

6" SWING BOOM KIT

384-06-00-000



6" SWING BOOM KIT



6" SWING BOOM KIT
384-06-00-000

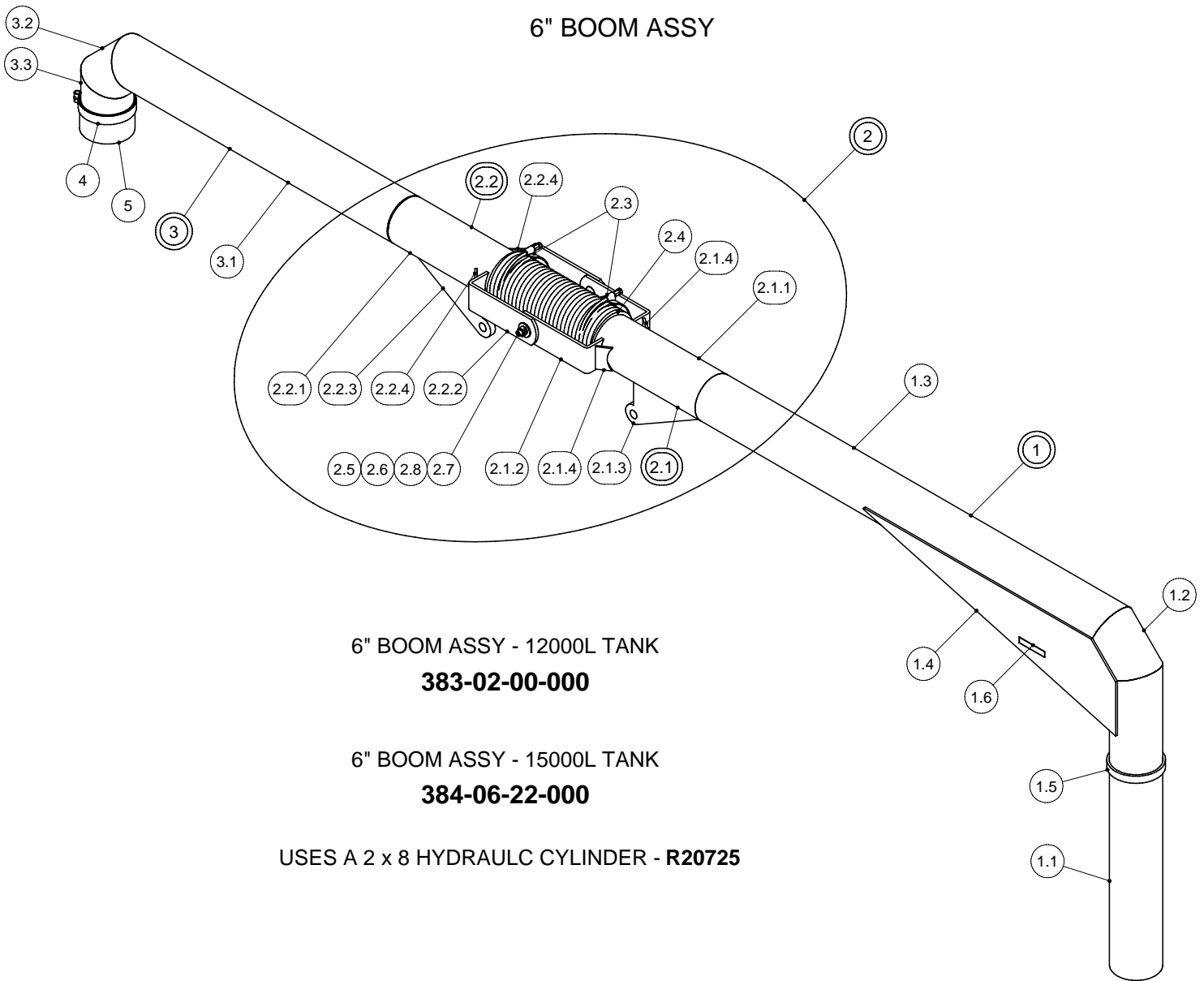
6" SWING BOOM KIT

PARTS LIST				PARTS LIST			
ITEM	PART NUMBER	DESCRIPTION	QTY	ITEM	PART NUMBER	DESCRIPTION	QTY
1	364-57-00-000	6" FLAPPER VALVE KIT-HORIZONTAL	1	11.4	384-06-06-050	R.H. SUPPORT GUSSET - 15L P	1
2	384-06-01-000	HOUSING TO VALVE CONN. ASSY	1		383-05-00-281	R.H. SUPPORT GUSSET - 12L P	1
3	384-05-05-000	DOUBLE SEAL HOLDER & FLANGE ASSY	1	12	384-06-17-000	INNER BOOM HOLDER ASSY	2
4	384-06-02-000	VERTICAL DISCHARGE PIPE ASSY - 15L P	1	13	364-68-00-000	SPLASH PLATE ASSY	1
	383-03-00-000	VERTICAL DISCHARGE PIPE ASSY - 12L P	1	14	384-05-04-000	CLAMP ASSY	1
5	384-05-03-000	DISCHARGE SUPPORT ASSY - 6" PIPE - 15L P	1	14.1	384-05-04-035	CLAMP BAND	1
	383-04-02-000	DISCHARGE SUPPORT ASSY - 6" PIPE - 12L P	1	14.2	384-05-04-036	CLAMP ANGLE	2
5.1	384-05-03-070	TANK BRKT	2	15	384-06-19-000	CYLINDER BRKT ASSY	1
5.2	385-05-04-144	PIPE HOLDER BACK PLATE - 15L P	1	15.1	384-06-19-199	CYLINDER BRKT	1
	383-04-02-279	PIPE HOLDER BACK PLATE - 12L P	1	15.2	384-06-19-200	GUSSET	2
6	384-06-03-000	CROSS PIPE ASSY	1	15.3	384-06-19-201	TANK REINFORCING PLATE	1
7	384-06-18-000	SADDLE ASSY - 6"	1	16	R20732	2 x 20 HYDRAULIC CYLINDER	1
7.1	384-06-18-170	SADDLE HOLDER	1	17	R20725	2 x 8 HYDRAULIC CYLINDER	1
7.2	384-06-18-169	6" SADDLE	1	18	R07671	7/16 x 1 1/4 HEX BOLT	28
8	384-06-22-000	BOOM ASSY COMPLETE w/ SNORKEL - 15L P	1	19	R07784	7/16 HEX NUT	28
	383-02-00-000	BOOM ASSY COMPLETE w/ SNORKEL - 12L P	1	20	R07804	7/16 LOCK WASHER	28
9	384-06-16-000	DRIP FUNNEL ASSY	1	21	R02366	6" RUBBER GASKET	4
10	364-25-00-000	DISCHARGE PIPE END SECTION ASSY	1	22	R07622	3/8 x 2 1/2 HEX BOLT	2
11	384-06-06-000	BOOM VERTICAL SUPPORT ASSY - 15L P	1	23	R07803	3/8 LOCK WASHER	2
	383-05-00-000	BOOM VERTICAL SUPPORT ASSY - 12L P	1	24	R07783	3/8 HEX NUT	2
11.1	384-06-06-049	SUPPORT BACK PLATE - 15L P	1	25	R07639	1/2 x 2 HEX BOLT	1
	383-05-00-280	SUPPORT BACK PLATE - 12L P	1	26	R07805	1/2 LOCK WASHER	1
11.2	384-06-06-052	SUPPORT PIPE - 15L P	1	27	R07785	1/2 HEX NUT	1
	383-05-00-283	SUPPORT PIPE - 12L P	1	28	R08183	1/4" - 28 STRAIGHT GREASE FITTING	6
11.3	384-06-06-051	L.H. SUPPORT GUSSET - 15L P	1	29	R09582	GREASE SYMBOL DECAL	1
	383-05-00-282	L.H. SUPPORT GUSSET - 12L P	1	30	R09662	SYN. GREASE DECAL	2

12L P = 12000L PROFILE
15L P = 15000L PROFILE

HYDRAULIC HOSES & FITTINGS (NOT SHOWN IN DRAWING)		
PART NUMBER	DESCRIPTION	QTY
290-00-00-167	HYDRAULIC HOSE CLIPS	8
384-06-11-000	HYDRAULIC HOSE ASSY - CAB TO VALVE	2
384-06-12-000	HYDRAULIC HOSE ASSY - CAB TO SWING CYLINDER	1
384-06-13-000	HYDRAULIC HOSE ASSY - CAB TO SWING CYLINDER	1
384-06-14-000	HYDRAULIC HOSE ASSY - CAB TO TIP CYLINDER	1
384-06-15-000	HYDRAULIC HOSE ASSY - CAB TO TIP CYLINDER	1
R21366	3/8 NPT STEEL ELBOW	6
R21336	61SA06X06 RESTRICTOR	3

6" BOOM ASSY



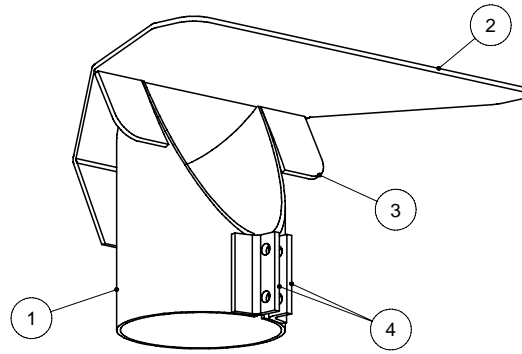
6" BOOM ASSY - 12000L TANK
383-02-00-000

6" BOOM ASSY - 15000L TANK
384-06-22-000

USES A 2 x 8 HYDRAULC CYLINDER - R20725

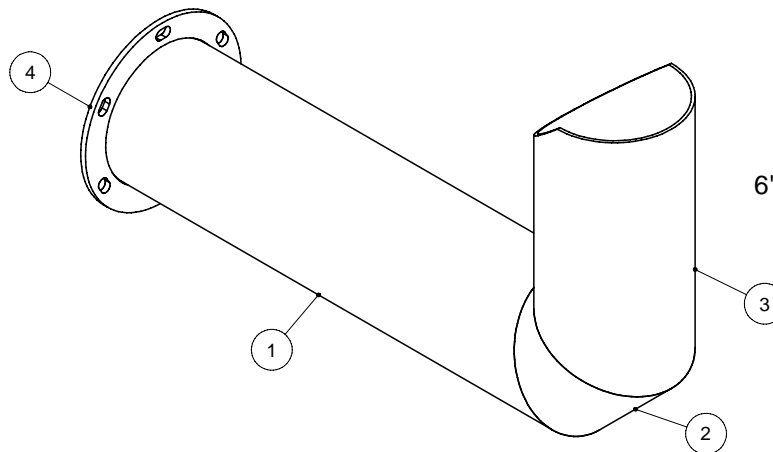
PARTS LIST				PARTS LIST			
ITEM	PART NUMBER	DESCRIPTION	QTY	ITEM	PART NUMBER	DESCRIPTION	QTY
1	384-06-04-000	BOOM SWIVEL PIPE ASSY - 6" - 15 P	1	2.2.1	384-06-05-048	BARBED ELBOW END	1
	383-02-01-000	BOOM SWIVEL PIPE ASSY - 6" - 12 P	1	2.2.2	384-06-05-304	OUTER PIVOT BRKT	2
1.1	384-06-04-039	BOOM V. DISCHARGE TUBE - 15L P	1	2.2.3	384-06-04-046	HYDRAULIC CYLINDER BRKT	1
	383-02-01-233	BOOM V. DISCHARGE TUBE - 12L P	1	2.2.4	244-05-46-301	GUSSET	2
1.2	384-06-04-040	PIPE CORNER PC	1	2.3	R02843	6" SPIRAL CLAMP	2
1.3	384-06-04-041	BOOM MAIN DISCHARGE PIPE	1	2.4	384-06-00-056	6" FLEX HOSE	1
1.4	384-06-04-168	BOOM GUSSET	2	2.5	384-06-21-305	SPACER PIPE	2
1.5	384-05-02-030	STOP PIPE	1	2.6	R07887	5/8 HEX NUT	2
1.6	384-06-04-226	CYLINDER BRKT - 6" PIPE	1	2.7	R07754	5/8 x 2" CARRIAGE BOLT	2
2	384-06-21-000	6" SNORKEL KIT	1	2.8	R07826	5/8 FLAT WASHER	2
2.1	384-06-08-000	INNER PIVOT BRKT ASSY - 6"	1	3	384-06-07-000	OUTER BOOM ASSY - 6"	1
2.1.1	384-06-05-048	BARBED ELBOW END	1	3.1	384-06-07-053	OUTER BOOM TUBE	1
2.1.2	384-06-08-303	INNER PIVOT BRKT	2	3.2	384-05-02-028	PIPE CORNER PC	1
2.1.3	384-06-04-046	HYDRAULIC CYLINDER BRKT	1	3.3	384-06-07-054	OUTER TUBE END PC	1
2.1.4	244-05-46-301	GUSSET	2	4	R02482	6" HOSE CLAMP	1
2.2	384-06-05-000	OUTER PIVOT BRKT ASSY - 6"	1	5	384-06-00-203	BOOM RUBBER HOSE	1

6" VERTICAL DISCHARGE PARTS



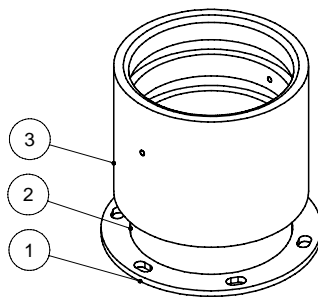
6" SPLASH PLATE ASSY
364-68-00-000

PARTS LIST			
ITEM	PART NUMBER	DESCRIPTION	QTY
1	364-68-00-215	CLAMPING TUBE	1
2	364-21-00-069	SPLASH PLATE	1
3	364-21-00-224	SPLASH PLATE WING	2
4	364-21-00-071	CLAMPING TUBE BRKT	2



6" EXTENSION PIPE ASSY
364-25-00-000

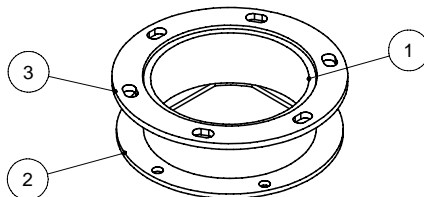
PARTS LIST			
ITEM	PART NUMBER	DESCRIPTION	QTY
1	364-25-00-088	DISCHARGE PIPE FLANGE PC	1
2	364-19-00-082	DISCHARGE PIPE CORNER PC	1
3	364-25-00-067	DISCHARGE PIPE END PC	1
4	364-19-00-087	DISCHARGE PIPE FLANGE	1



6" DOUBLE SEAL HOLDER ASSY
384-05-05-000

PARTS LIST			
ITEM	PART NUMBER	DESCRIPTION	QTY
1	364-19-00-087	DISCHARGE PIPE FLANGE	1
2	384-05-01-026	EXTENSION TUBE	1
3	384-05-01-025	DOUBLE SEAL HOLDER	1

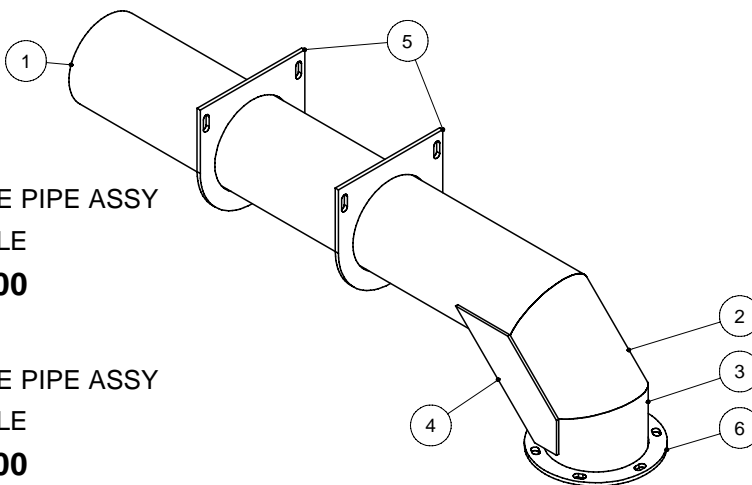
6" VERTICAL DISCHARGE & SWING BOOM PARTS



HOUSING TO VALVE CONNECTION
384-06-01-000

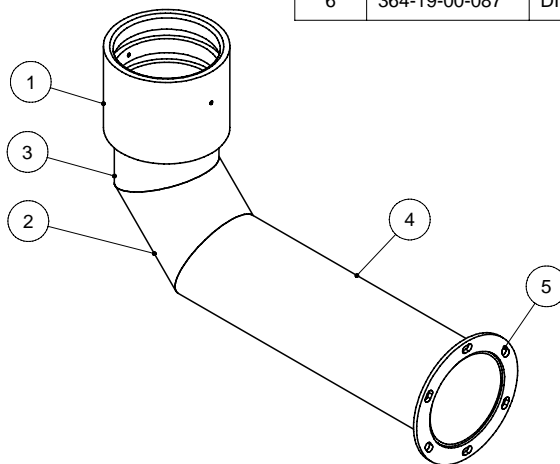
PARTS LIST			
ITEM	PART NUMBER	DESCRIPTION	QTY
1	384-05-01-026	EXTENSION TUBE	1
2	364-01-03-376	DISCHARGE RING	1
3	364-19-00-087	DISCHARGE PIPE FLANGE	1

6" VERTICAL DISCHARGE PIPE ASSY
12000L PROFILE
383-03-00-000



6" VERTICAL DISCHARGE PIPE ASSY
15000L PROFILE
384-06-02-000

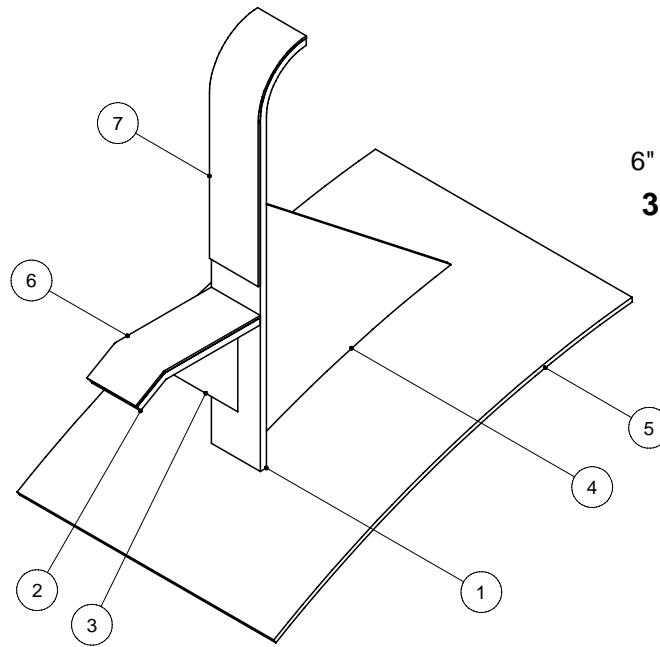
PARTS LIST				PARTS LIST			
ITEM	PART NUMBER	DESCRIPTION	QTY	ITEM	PART NUMBER	DESCRIPTION	QTY
1	384-06-02-037	VERTICAL DISCHARGE TUBE - 15L P	1	3	384-05-02-029	PIPE END PC	1
	383-03-00-234	VERTICAL DISCHARGE TUBE - 12L P	1	4	384-05-02-097	GUSSET	2
2	384-05-02-028	PIPE CORNER PC	1	5	384-05-02-069	TUBE ATTACHMENT BRKT	2
				6	364-19-00-087	DISCHARGE PIPE FLANGE	1



CROSS PIPE ASSY
384-06-03-000

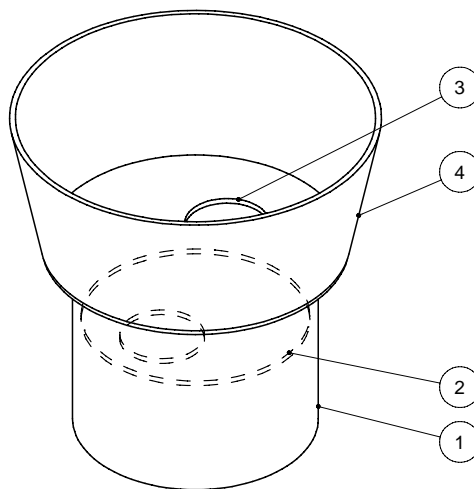
PARTS LIST				PARTS LIST			
ITEM	PART NUMBER	DESCRIPTION	QTY	ITEM	PART NUMBER	DESCRIPTION	QTY
1	384-05-01-025	DOUBLE SEAL HOLDER	1	4	384-06-03-038	CROSS PIPE	1
2	384-05-02-028	PIPE CORNER PC	1	5	364-19-00-087	DISCHARGE PIPE FLANGE	1
3	384-05-02-029	PIPE END PC	1				

6" SWING BOOM PARTS



6" BOOM HOLDER
384-06-17-000

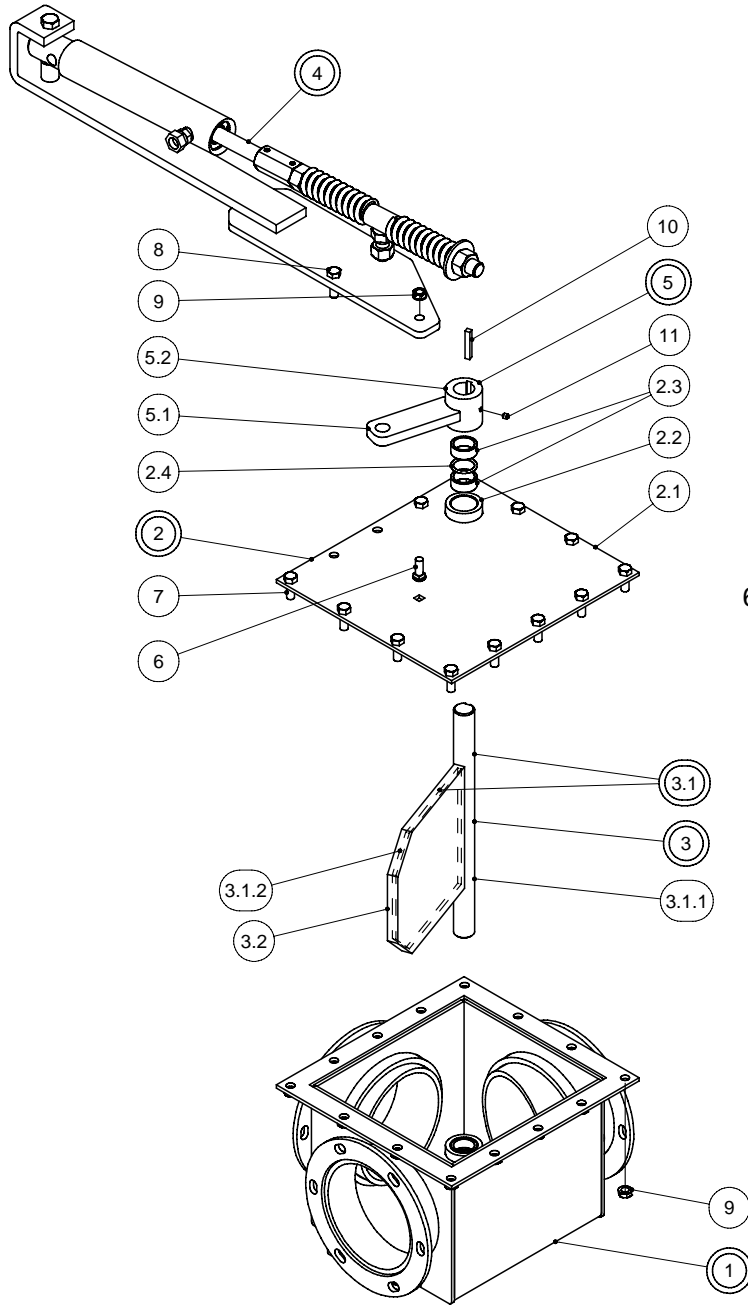
PARTS LIST			
ITEM	PART NUMBER	DESCRIPTION	QTY
1	384-06-17-089	HOLDER BRKT	1
2	384-06-09-058	HOLDER SEAT	1
3	384-06-09-063	GUSSET	1
4	384-06-09-059	HOLDER GUSSET	1
5	384-06-09-062	BASE PLATE	1
6	384-06-09-061	PLASTIC SEAT	1
7	384-06-17-090	PLASTIC BACK	1



6" DRIP FUNNEL
384-06-16-000

PARTS LIST			
ITEM	PART NUMBER	DESCRIPTION	QTY
1	384-06-16-088	CONE TUBE	1
2	384-06-16-087	BAFFLE	1
3	384-06-16-086	CONE BASE PLATE	1
4	384-06-16-085	12" TO 10" CONE	1

6" FLAPPER BOX KIT

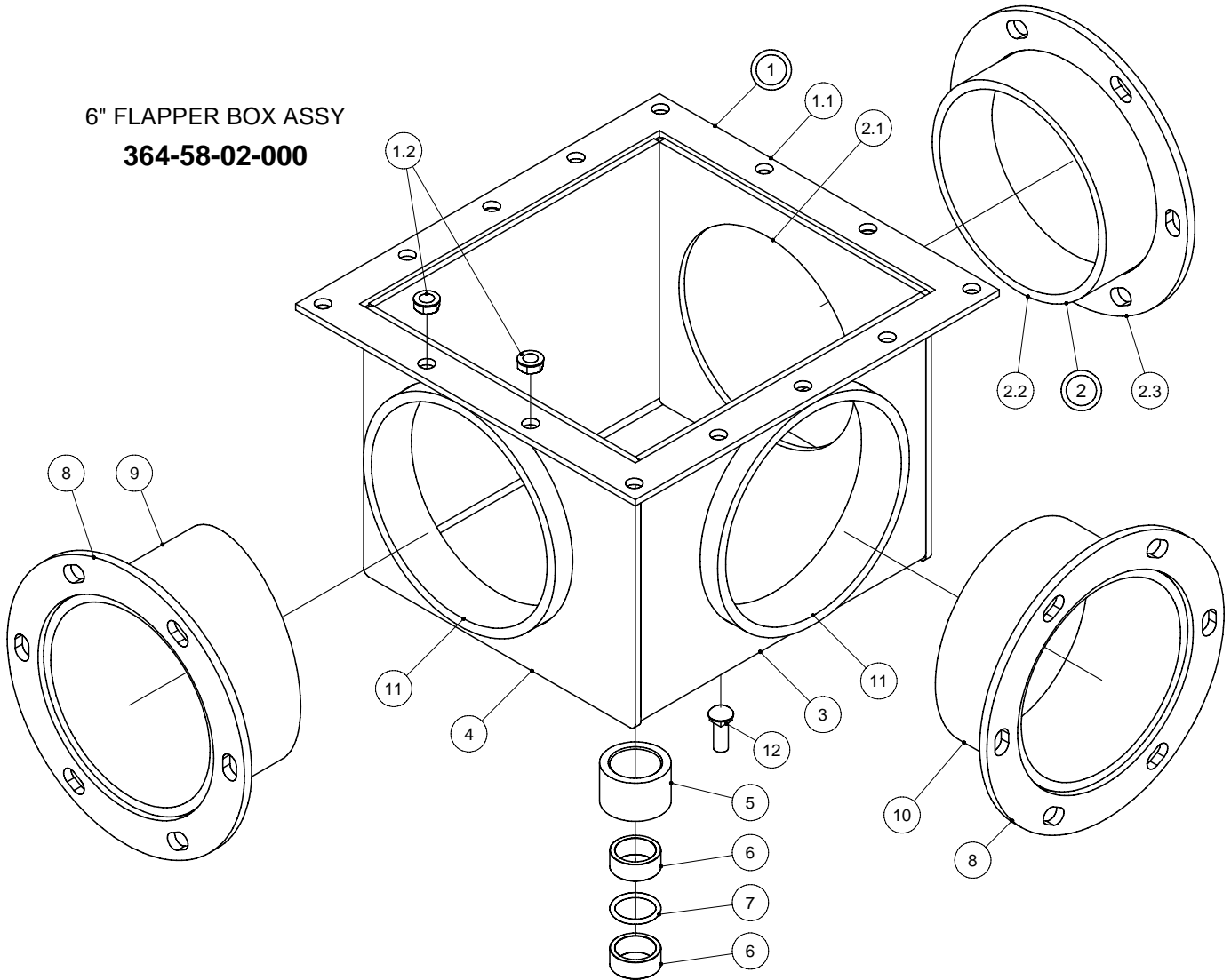


6" FLAPPER BOX KIT
364-57-00-000

PARTS LIST				PARTS LIST			
ITEM	PART NUMBER	DESCRIPTION	QTY	ITEM	PART NUMBER	DESCRIPTION	QTY
1	364-58-02-000	MAIN BODY ASSY	1	4	364-58-17-000	CYLINDER & BRKT KIT-HORIZONTAL	1
2	364-58-03-000	COVER PLATE ASSY	1			STYLE	
2.1	364-58-03-267	COVER PLATE	1	5	364-58-11-000	FLAPPER BRKT ASSY	1
2.2	364-58-02-266	BUSHING SLEEVE	1	5.1	364-58-11-321	BRKT ARM	1
2.3	R20266	1 1/4 OD x 1 ID x 1/2 LONG BUSHING	2	5.2	364-58-11-322	ARM BRKT SLEEVE	1
2.4	R20859	O RING 1 x 1 1/4 x 1/8"	1	6	R07721	3/8 x 1 CARRIAGE BOLT	1
3	364-58-01-000	FLAPPER ASSY COMPLETE w/ URETHANE	1	7	R07619	3/8 x 1 HEX BOLT	12
3.1	364-58-14-000	FLAPPER ASSY	1	8	R07675	3/8 x 1 1/4" HEX BOLT	2
3.1.1	364-58-01-262	FLAPPER SHAFT	1	9	R07794	3/8 FLANGE NUT	10
3.1.2	364-58-01-261	FLAPPER	1	10	364-58-08-323	KEY	1
3.2	R20216	URETHANE	1	11	R07929	1/4-28 UNF x 1/4" SET SCREW	2

6" FLAPPER BOX ASSY

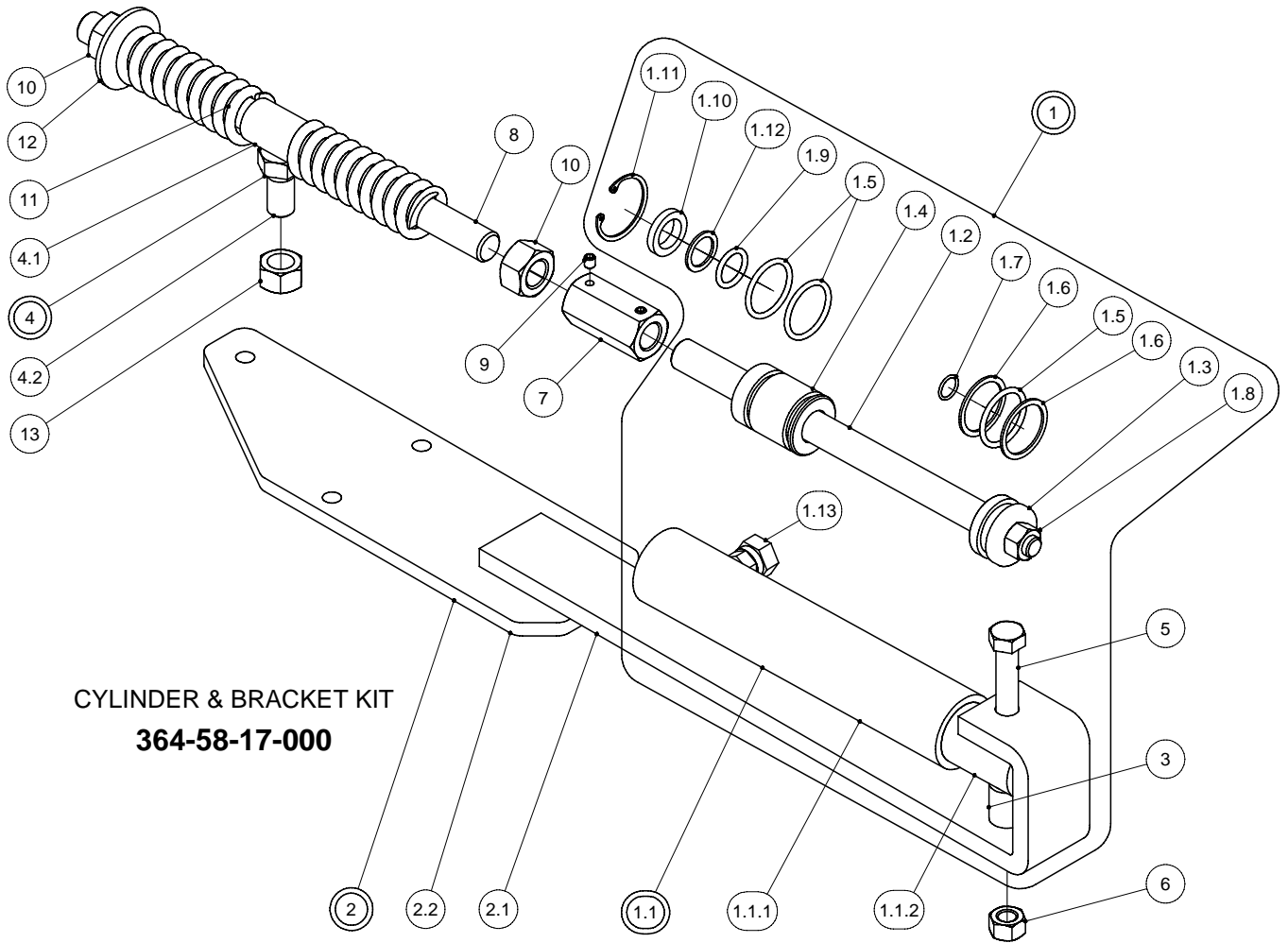
6" FLAPPER BOX ASSY
364-58-02-000



PARTS LIST

ITEM	PART NUMBER	DESCRIPTION	QTY
1	364-58-15-000	FLANGE ASSY	1
1.1	364-58-02-265	FLANGE	1
1.2	R07794	3/8 FLANGE NUT	5
2	364-58-05-000	INLET TUBE ASSY	1
2.1	364-58-02-416	NOTCHED BODY END PLATE	1
2.2	364-58-05-269	INLET TUBE	1
2.3	364-19-00-087	DISCHARGE PIPE FLANGE	1
3	364-58-02-263	FLAPPER VALVE BODY	1
4	364-58-02-264	VALVE BODY END	1
5	364-58-02-266	BUSHING SLEEVE	1
6	R20266	1 1/4 OD x 1 ID x 1/2 LONG BUSHING	2
7	R20859	O RING 1 x 1 1/4 x 1/8"	1
8	364-19-00-087	DISCHARGE PIPE FLANGE	2
9	364-58-04-268	OUTLET TUBE	1
10	364-58-06-255	AGITATOR TUBE	1
11	364-58-02-520	BODY SLEEVE	2
12	R07721	3/8 x 1 CARRIAGE BOLT	1

CYLINDER & BRKT KIT



CYLINDER & BRACKET KIT
364-58-17-000

SEAL REPLACEMENT KIT - **340-47-00-000**

PARTS LIST				PARTS LIST			
ITEM	PART NUMBER	DESCRIPTION	QTY	ITEM	PART NUMBER	DESCRIPTION	QTY
1	275-15-00-000	HYDRAULIC CYLINDER ASSY	1	2	364-58-16-000	CYLINDER BRKT ASSY	1
1.1	275-14-00-000	CYLINDER TUBE w/ LUG ASSY	1	2.1	364-58-09-317	CYLINDER BRKT	1
1.1.1	250-70-28-155	CYLINDER TUBE	1	2.2	364-58-16-508	CYLINDER BRKTBOLT PLATE	1
1.1.2	275-14-00-076	CYLINDER END CAP	1	3	364-58-08-318	SPACER PIPE	1
1.2	275-15-00-122	HYDRAULIC CYLINDER SHAFT	1	4	364-58-10-000	PIVOT AND SLEEVE ASSY	1
1.3	340-36-00-435	CYLINDER PLUNGER	1	4.1	364-58-10-320	PIVOT SLEEVE	1
1.4	340-36-00-434	WIPER BLOCK	1	4.2	R07673	5/8 x 1 1/4" UNC HEX BOLT	1
1.5	R20866	O-RING #11-218	3	5	R07643	1/2 x 4 HEX BOLT	1
1.6	R20867	BACKUP RING #8-218	2	6	R07885	1/2 - 2 WAY LOCK NUT	1
1.7	R20865	O-RING #11-014	1	7	364-58-08-257	3/4" COUPLER	1
1.8	R07885	1/2 - 2 WAY LOCK NUT	1	8	364-58-08-319	EXTENSION SHAFT	1
1.9	R20771	O-RING #11-210	1	9	R07906	5/16 x 3/8" SET SCREW	2
1.10	R20774	3/4" HYTREL ROD WIPER 52-750	1	10	R07881	3/4 - 2 WAY LOCK NUT	2
1.11	R07967	1 1/2" 3000 x 150 INTERNAL SNAP RING	1	11	R08033	HP 68 x 3/4 x 4" SPRING	2
1.12	R20862	3/4" BACKUP #210	1	12	R07827	3/4" FLAT WASHER	1
1.13	R21287	1/4M x 3/8 SWIVEL ADAPTER	1	13	R07786	5/8 HEX NUT	1