

Pages 7 & 9 have been changed

Office Copy

Feb-11/05 - 13 made
June 1 - 8 "

Jan 12/07 - 3 "



HUSKY

The logo features the word "HUSKY" in a bold, italicized, sans-serif font. Below the letters, a stylized truck chassis is depicted with two large, solid black wheels. The entire logo is contained within a rounded rectangular border.

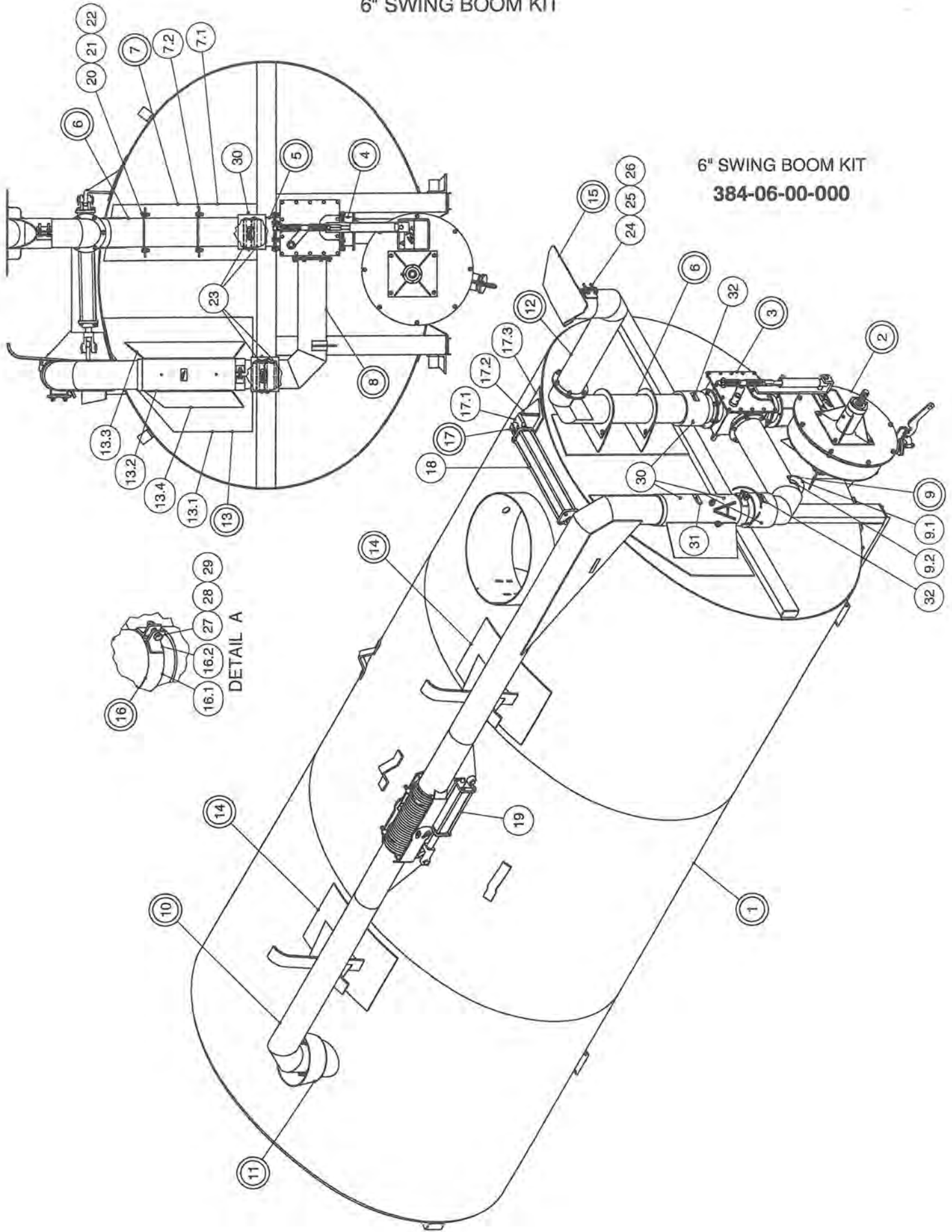
6"

SWING

BOOM

KIT

6" SWING BOOM KIT



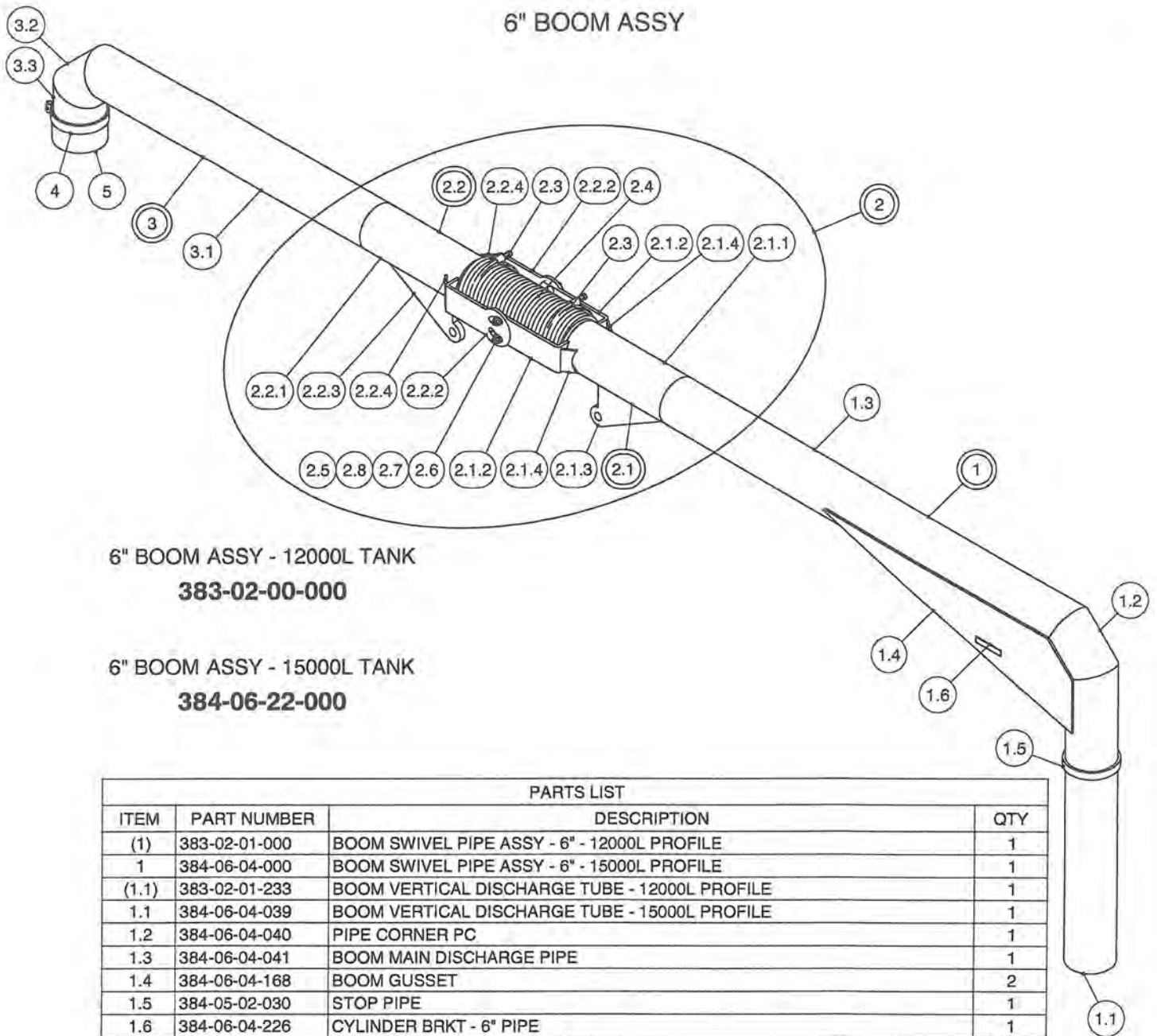
6" SWING BOOM KIT
384-06-00-000

6" SWING BOOM KIT

PARTS LIST			
ITEM	PART NUMBER	DESCRIPTION	QTY
1	385-01-00-000	15000L TANK,SILL,FUNNEL ASSY	1
2	364-23-01-000	540 FAN & HOUSING KIT	1
3	364-58-00-000	6" FLAPPER VALVE KIT	1
4	384-06-01-000	HOUSING TO VALVE CONN. ASSY	1
5	384-05-05-000	DOUBLE SEAL HOLDER & FLANGE ASSY	1
(6)	383-03-00-000	VERTICAL DISCHARGE PIPE ASSY - 12000L PROFILE	1
6	384-06-02-000	VERTICAL DISCHARGE PIPE ASSY - 15000L PROFILE	1
(7)	383-04-02-000	DISCHARGE SUPPORT ASSY - 6" PIPE - 12000L PROFILE	1
7	384-05-03-000	DISCHARGE SUPPORT ASSY - 6" PIPE - 15000L PROFILE	1
(7.1)	383-04-02-279	TANK PLATE - 12000L TANKS	1
7.1	384-05-03-071	TANK PLATE - 14 & 15000L TANKS	1
7.2	384-05-03-070	TANK BRKT	2
8	384-06-03-000	CROSS PIPE ASSY	1
9	384-06-18-000	SADDLE ASSY - 6"	1
9.1	384-06-18-170	SADDLE HOLDER	1
9.2	384-06-18-169	6" SADDLE	1
(10)	383-02-00-000	BOOM ASSY COMPLETE w/ SNORKEL - 12000L PROFILE	1
10	384-06-22-000	BOOM ASSY COMPLETE w/ SNORKEL - 15000L PROFILE	1
11	384-06-16-000	DRIP FUNNEL ASSY	1
12	364-25-00-000	DISCHARGE PIPE END SECTION ASSY	1
(13)	383-05-00-000	BOOM VERTICAL SUPPORT ASSY - 12000L PROFILE	1
13	384-06-06-000	BOOM VERTICAL SUPPORT ASSY - 15000L PROFILE	1
(13.1)	383-05-00-280	SUPPORT BACK PLATE - 12000L PROFILE	1
13.1	384-06-06-049	SUPPORT BACK PLATE - 15000L PROFILE	1
(13.2)	383-05-00-283	SUPPORT PIPE - 12000L PROFILE	1
13.2	384-06-06-052	SUPPORT PIPE - 15000L PROFILE	1
(13.3)	383-05-00-282	L.H. SUPPORT GUSSET - 12000L PROFILE	1
13.3	384-06-06-051	L.H. SUPPORT GUSSET - 15000L PROFILE	1
(13.4)	383-05-00-281	R.H. SUPPORT GUSSET - 12000L PROFILE	1
13.4	384-06-06-050	R.H. SUPPORT GUSSET - 15000L PROFILE	1
14	384-06-17-000	INNER BOOM HOLDER ASSY	2
15	364-68-00-000	SPLASH PLATE ASSY	1
16	384-05-04-000	CLAMP ASSY	1
16.1	384-05-04-035	CLAMP BAND	1
16.2	384-05-04-036	CLAMP ANGLE	2
17	384-06-19-000	CYLINDER BRKT ASSY	1
17.1	384-06-19-199	CYLINDER BRKT	1
17.2	384-06-19-200	GUSSET	2
17.3	384-06-19-201	TANK REINFORCING PLATE	1
18	R20732	2 x 20 HYD CYLINDER	1
19	R20725	2 x 8 HYD CYLINDER	1
20	R07671	7/16 x 1 1/4 HEX BOLT	28
21	R07784	7/16 HEX NUT	28
22	R07804	7/16 LOCK WASHER	28
23	R02366	6" RUBBER GASKET	4
24	R07622	3/8 x 2 1/2 HEX BOLT	2
25	R07803	3/8 LOCK WASHER	2
26	R07783	3/8 HEX NUT	2
27	R07639	1/2 x 2 HEX BOLT	1
28	R07805	1/2 LOCK WASHER	1
29	R07785	1/2 HEX NUT	1
30	R08183	1/4" - 28 STRAIGHT GREASE FITTING	6
31	R09582	GREASE SYMBOL DECAL	1
32	R09662	SYN. GREASE DECAL	2

HYDRAULIC HOSES & FITTINGS (NOT SHOWN IN DRAWING)		
PART NUMBER	DESCRIPTION	QTY
290-00-00-167	HYDRAULIC HOSE CLIPS	8
384-06-11-000	HYDRAULIC HOSE ASSY - CAB TO VALVE	2
384-06-12-000	HYDRAULIC HOSE ASSY - CAB TO SWING CYLINDER	1
384-06-13-000	HYDRAULIC HOSE ASSY - CAB TO SWING CYLINDER	1
384-06-14-000	HYDRAULIC HOSE ASSY - CAB TO TIP CYLINDER	1
384-06-15-000	HYDRAULIC HOSE ASSY - CAB TO TIP CYLINDER	1
R21366	3/8 NPT STEEL ELBOW	6
R21336	61SA06X06 RESTRICTOR	3

6" BOOM ASSY

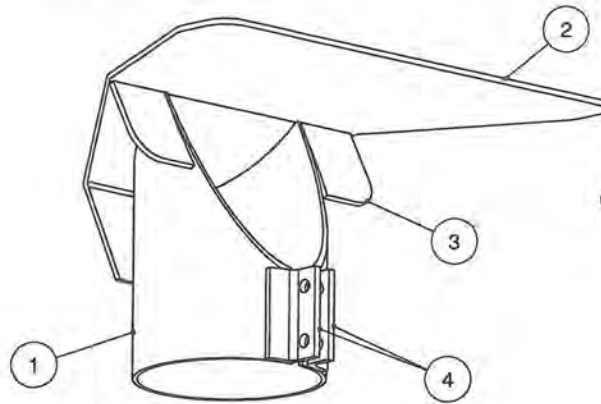


6" BOOM ASSY - 12000L TANK
383-02-00-000

6" BOOM ASSY - 15000L TANK
384-06-22-000

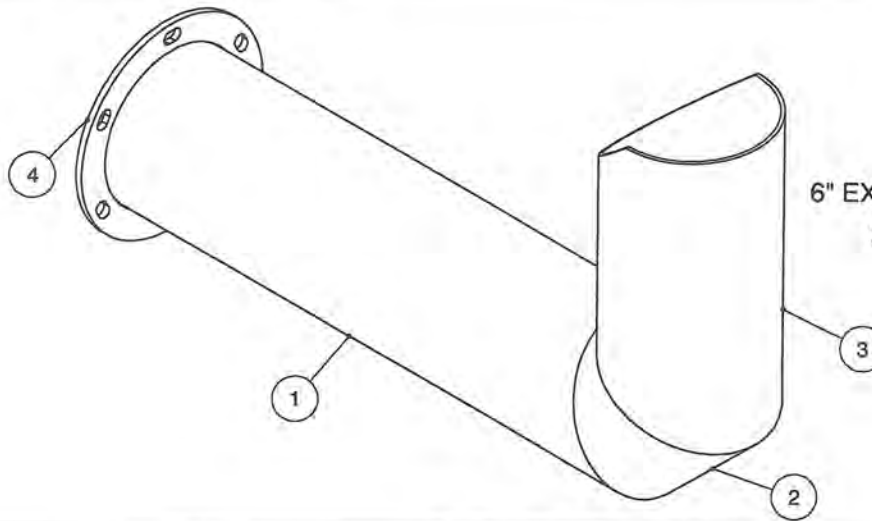
PARTS LIST			
ITEM	PART NUMBER	DESCRIPTION	QTY
(1)	383-02-01-000	BOOM SWIVEL PIPE ASSY - 6" - 12000L PROFILE	1
1	384-06-04-000	BOOM SWIVEL PIPE ASSY - 6" - 15000L PROFILE	1
(1.1)	383-02-01-233	BOOM VERTICAL DISCHARGE TUBE - 12000L PROFILE	1
1.1	384-06-04-039	BOOM VERTICAL DISCHARGE TUBE - 15000L PROFILE	1
1.2	384-06-04-040	PIPE CORNER PC	1
1.3	384-06-04-041	BOOM MAIN DISCHARGE PIPE	1
1.4	384-06-04-168	BOOM GUSSET	2
1.5	384-05-02-030	STOP PIPE	1
1.6	384-06-04-226	CYLINDER BRKT - 6" PIPE	1
2	384-06-21-000	6" SNORKEL KIT	1
2.1	384-06-08-000	INNER PIVOT BRKT ASSY - 6"	1
2.1.1	384-06-05-048	BARBED ELBOW END	1
2.1.2	384-06-08-055	INNER PIVOT BRKT	2
2.1.3	384-06-04-046	HYDRAULIC CYLINDER BRKT	1
2.1.4	244-05-46-301	GUSSET	2
2.2	384-06-05-000	OUTER PIVOT BRKT ASSY - 6"	1
2.2.1	384-06-05-048	BARBED ELBOW END	1
2.2.2	384-06-05-047	OUTER PIVOT BRKT	2
2.2.3	384-06-04-046	HYDRAULIC CYLINDER BRKT	1
2.2.4	244-05-46-301	GUSSET	2
2.3	R02843	6" SPIRAL CLAMP	2
2.4	384-06-00-056	6" FLEX HOSE	1
2.5	386-05-03-096	SPACER PIPE	4
2.6	R07778	7/16 x 1 1/2" CARRIAGE BOLT	4
2.7	R07891	7/16 2-WAY LOCK NUT	4
2.8	R07824	7/16 FLAT WASHER	4
3	384-06-07-000	OUTER BOOM ASSY - 6"	1
3.1	384-06-07-053	OUTER BOOM TUBE	1
3.2	384-05-02-028	PIPE CORNER PC	1
3.3	384-06-07-054	OUTER TUBE END PC	1
4	R02482	6" HOSE CLAMP	1
5	384-06-00-203	BOOM RUBBER HOSE	1

6" VERTICAL DISCHARGE PARTS



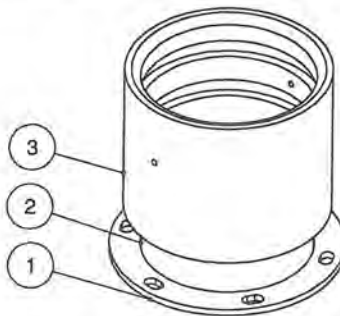
6" SPLASH PLATE ASSY
364-68-00-000

PARTS LIST			
ITEM	PART NUMBER	DESCRIPTION	QTY
1	364-68-00-215	CLAMPING TUBE	1
2	364-21-00-069	SPLASH PLATE	1
3	364-21-00-224	SPLASH PLATE WING	2
4	364-21-00-071	CLAMPING TUBE BRKT	2



6" EXTENSION PIPE ASSY
364-25-00-000

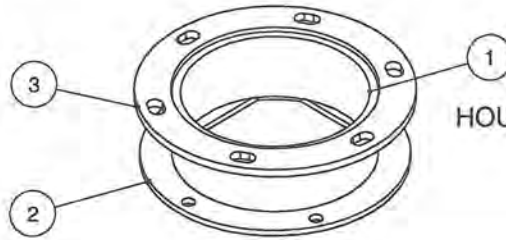
PARTS LIST			
ITEM	PART NUMBER	DESCRIPTION	QTY
1	364-25-00-088	DISCHARGE PIPE FLANGE PC	1
2	364-19-00-082	DISCHARGE PIPE CORNER PC	1
3	364-25-00-067	DISCHARGE PIPE END PC	1
4	364-19-00-087	DISCHARGE PIPE FLANGE	1



6" DOUBLE SEAL HOLDER ASSY
384-05-05-000

PARTS LIST			
ITEM	PART NUMBER	DESCRIPTION	QTY
1	364-19-00-087	DISCHARGE PIPE FLANGE	1
2	384-05-01-026	EXTENSION TUBE	1
3	384-05-01-025	DOUBLE SEAL HOLDER	1

6" VERTICAL DISCHARGE & SWING BOOM PARTS

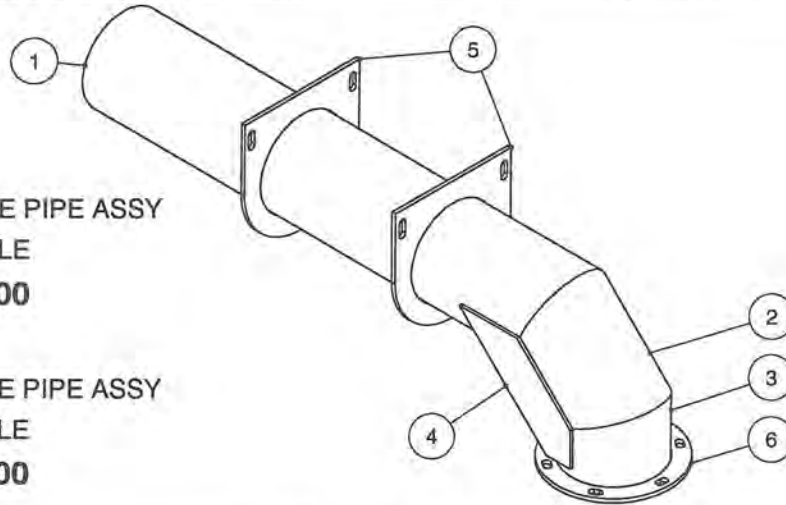


HOUSING TO VALVE CONNECTION
384-06-01-000

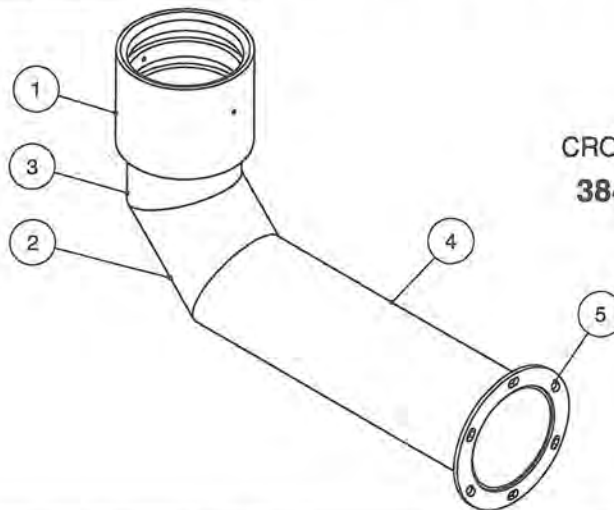
PARTS LIST			
ITEM	PART NUMBER	DESCRIPTION	QTY
1	384-05-01-026	EXTENSION TUBE	1
2	364-01-03-376	DISCHARGE RING	1
3	364-19-00-087	DISCHARGE PIPE FLANGE	1

6" VERTICAL DISCHARGE PIPE ASSY
12000L PROFILE
383-03-00-000

6" VERTICAL DISCHARGE PIPE ASSY
15000L PROFILE
384-06-02-000



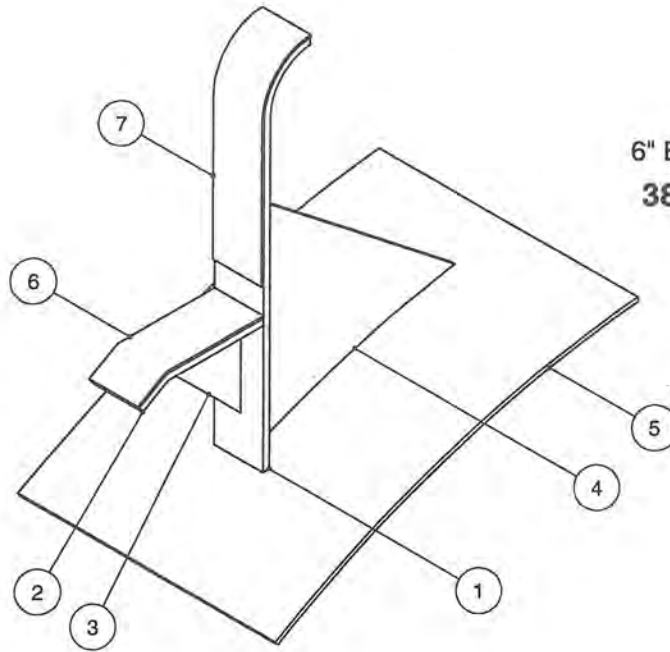
PARTS LIST				PARTS LIST			
ITEM	PART NUMBE	DESCRIPTION	QTY	ITEM	PART NUMBE	DESCRIPTION	QTY
(1)	383-03-00-234	VERTICAL DISCHARGE TUBE - 12000L PROFILE	1	3	384-05-02-029	PIPE END PC	1
1	384-06-02-037	VERTICAL DISCHARGE TUBE - 15000L PROFILE	1	4	384-05-02-097	GUSSET	2
2	384-05-02-028	PIPE CORNER PC	1	5	384-05-02-069	TUBE ATTACHMENT BRKT	2
				6	364-19-00-087	DISCHARGE PIPE FLANGE	1



CROSS PIPE ASSY
384-06-03-000

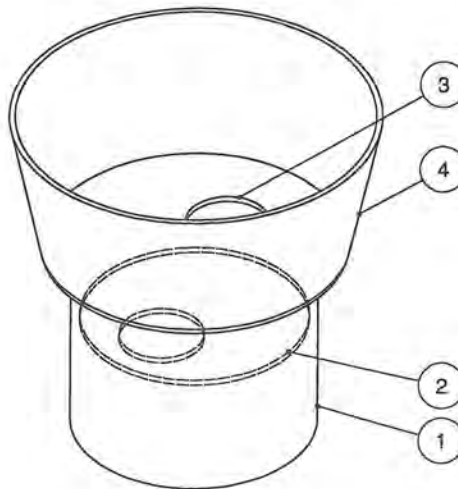
PARTS LIST			
ITEM	PART NUMBER	DESCRIPTION	QTY
1	384-05-01-025	DOUBLE SEAL HOLDER	1
2	384-05-02-028	PIPE CORNER PC	1
3	384-05-02-029	PIPE END PC	1
4	384-06-03-038	CROSS PIPE	1
5	364-19-00-087	DISCHARGE PIPE FLANGE	1

6" SWING BOOM PARTS



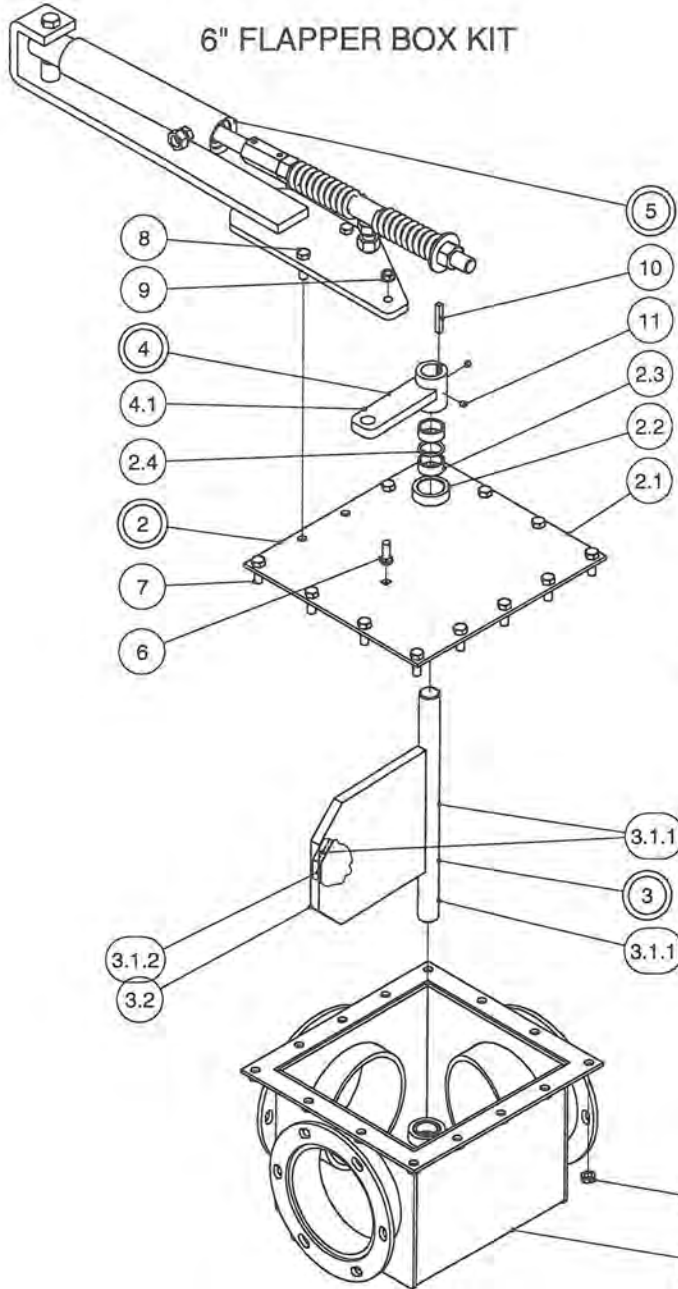
**6" BOOM HOLDER
384-06-17-000**

PARTS LIST			
ITEM	PART NUMBER	DESCRIPTION	QTY
1	384-06-17-089	HOLDER BRKT	1
2	384-06-09-058	HOLDER SEAT	1
3	384-06-09-063	GUSSET	1
4	384-06-09-059	HOLDER GUSSET	1
5	384-06-09-062	BASE PLATE	1
6	384-06-09-061	PLASTIC SEAT	1
7	384-06-17-090	PLASTIC BACK	1



**6" DRIP FUNNEL
384-06-16-000**

PARTS LIST			
ITEM	PART NUMBER	DESCRIPTION	QTY
1	384-06-16-088	CONE TUBE	1
2	384-06-16-087	BAFFLE	1
3	384-06-16-086	CONE BASE PLATE	1
4	384-06-16-085	12" TO 10" CONE	1



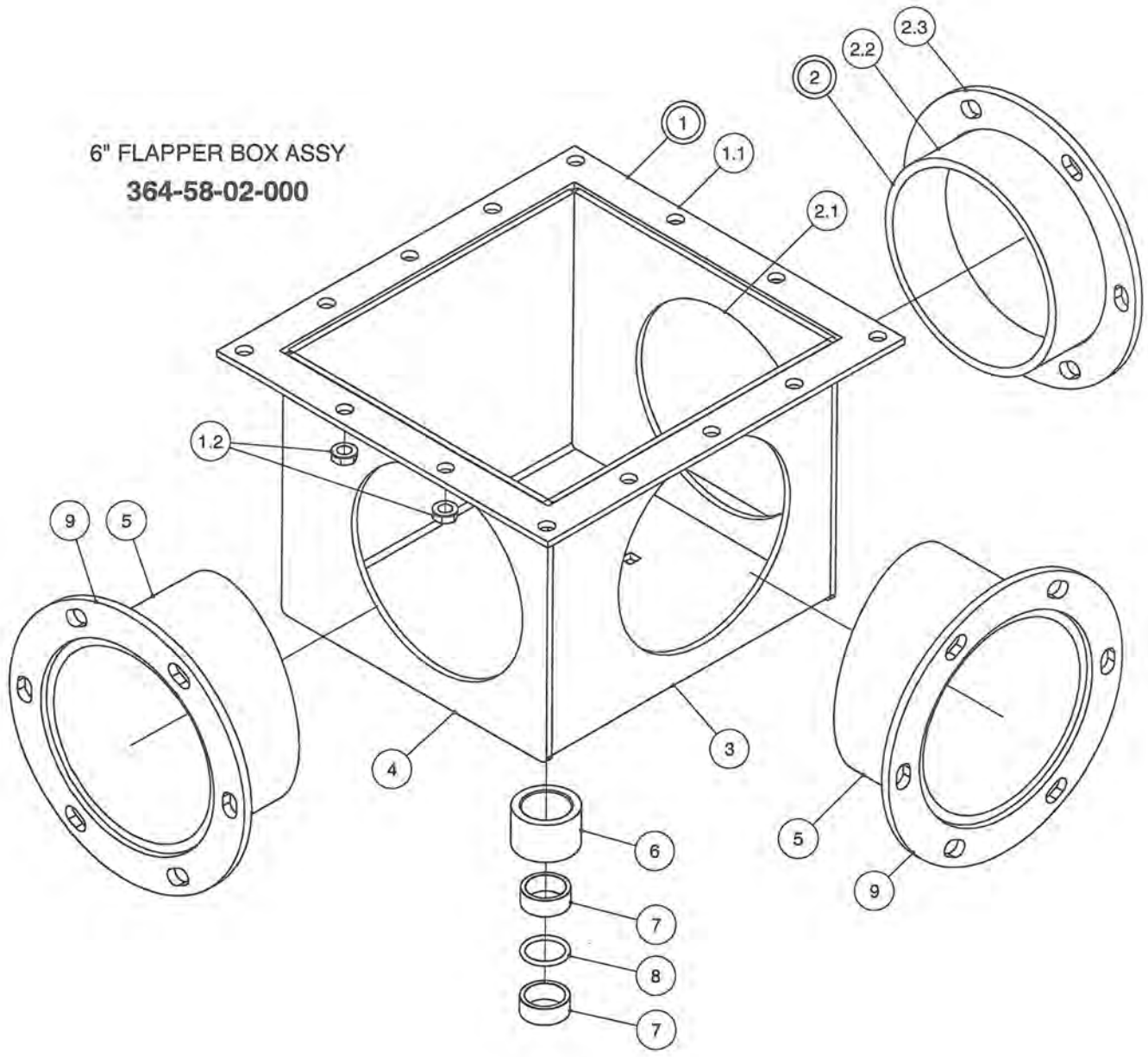
6" FLAPPER BOX KIT
364-57-00-000

PARTS LIST

ITEM	PART NUMBER	DESCRIPTION	QTY
1	364-58-02-000	MAIN BODY ASSY	1
2	364-58-03-000	COVER PLATE ASSY	1
2.1	364-58-03-267	COVER PLATE	1
2.2	364-58-02-266	BUSHING SLEEVE	1
2.3	R20266	1 1/4 OD x 1 ID x 1/2 LONG BUSHING	2
2.4	R20859	O RING 1 x 1 1/4 x 1/8"	1
3	364-58-01-000	FLAPPER ASSY COMPLETE w/ URETHANE	1
3.1	364-58-14-000	FLAPPER ASSY	1
3.1.1	364-58-01-262	FLAPPER SHAFT	1
3.1.2	364-58-01-261	FLAPPER	1
3.2	R20216	URETHANE	1
4	364-58-18-000	FLAPPER BRKT ASSY	1
4.1	364-58-11-321	BRKT ARM	1
4.2	364-58-11-322	ARM BRKT SLEEVE	1
5	364-58-17-000	CYLINDER & BRKT KIT-HORIZONTAL STYLE	1
6	R07721	3/8 x 1 CARRIAGE BOLT	1
7	R07619	3/8 x 1 HEX BOLT	12
8	R07675	3/8 x 1 1/4" HEX BOLT	2
9	R07794	3/8 FLANGE NUT	10
10	364-58-08-323	KEY	1
11	R07929	1/4-28 UNF x 1/4" SET SCREW	2

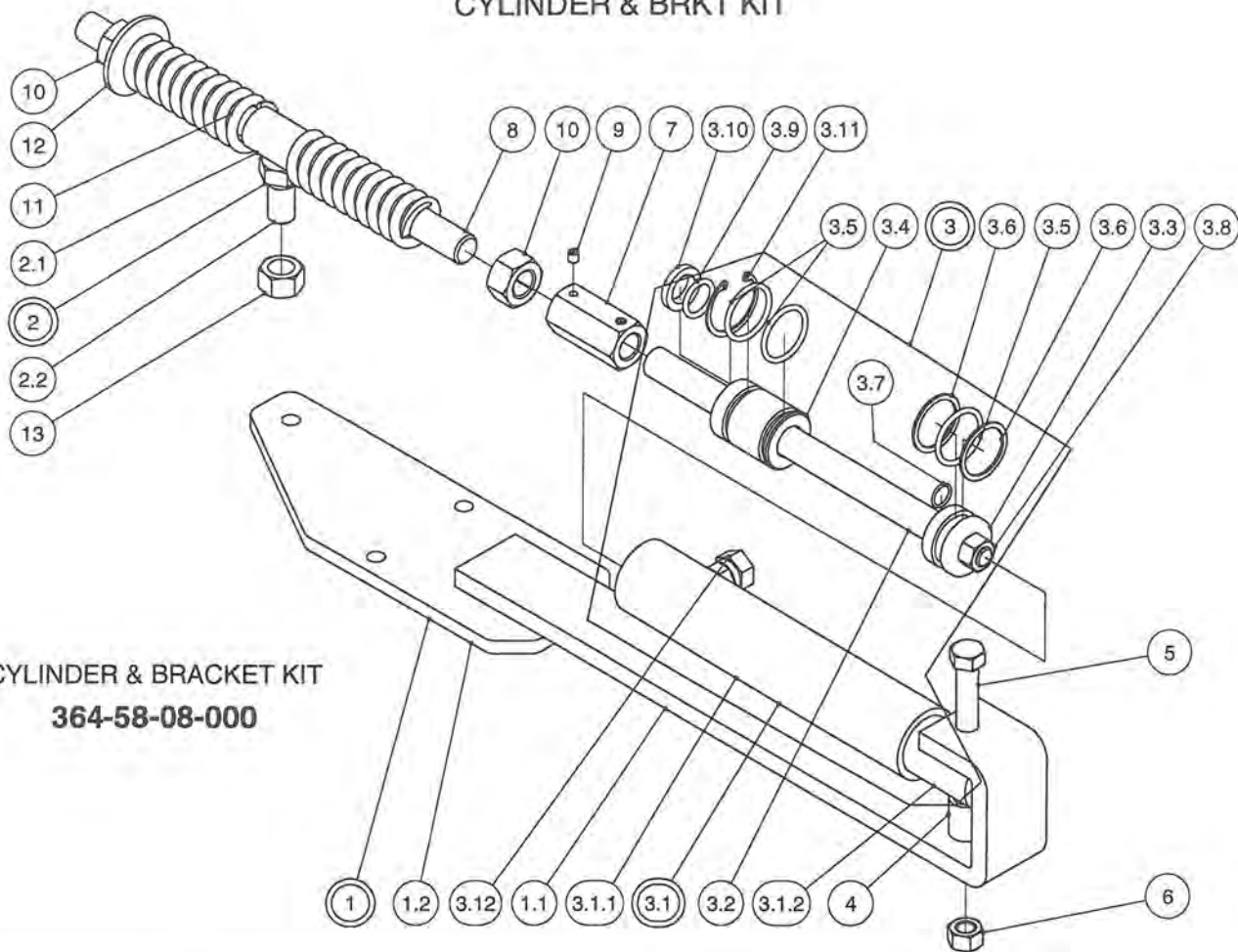
6" FLAPPER BOX ASSY

6" FLAPPER BOX ASSY
364-58-02-000



PARTS LIST			
ITEM	PART NUMBER	DESCRIPTION	QTY
1	364-58-15-000	FLANGE ASSY	1
1.1	364-58-02-265	FLANGE	1
1.2	R07794	3/8 FLANGE NUT	5
2	364-58-05-000	INLET TUBE ASSY	1
2.1	364-58-02-416	NOTCHED BODY END PLATE	1
2.2	364-58-05-269	INLET TUBE	1
2.3	364-19-00-087	DISCHARGE PIPE FLANGE	1
3	364-58-02-263	FLAPPER VALVE BODY	1
4	364-58-02-264	VALVE BODY END	1
5	364-58-04-268	OUTLET TUBE	2
6	364-58-02-266	BUSHING SLEEVE	1
7	R20266	1 1/4 OD x 1 ID x 1/2 LONG BUSHING	2
8	R20859	O RING 1 x 1 1/4 x 1/8"	1
9	364-19-00-087	DISCHARGE PIPE FLANGE	2

CYLINDER & BRKT KIT



CYLINDER & BRACKET KIT
364-58-08-000

PARTS LIST

ITEM	PART NUMBER	DESCRIPTION	QTY
1	364-58-16-000	CYLINDER BRKT ASSY	1
1.1	364-58-09-317	CYLINDER BRKT	1
1.2	364-58-16-508	CYLINDER BRKTBOLT PLATE	1
2	364-58-10-000	PIVOT AND SLEEVE ASSY	1
2.1	364-58-10-320	PIVOT SLEEVE	1
2.2	R07673	5/8 x 1 1/4" UNC HEX BOLT	1
3	275-15-00-000	HYDRAULIC CYLINDER ASSY	1
3.1	275-14-00-000	CYLINDER TUBE w/ LUG ASSY	1
3.1.1	250-70-28-155	CYLINDER TUBE	1
3.1.2	275-14-00-076	CYLINDER END CAP	1
3.2	275-15-00-122	HYDRAULIC CYLINDER SHAFT	1
3.3	340-36-00-435	CYLINDER PLUNGER	1
3.4	340-36-00-434	WIPER BLOCK	1
3.5	R20866	O-RING #11-218	3
3.6	R20867	BACKUP RING #8-218	2
3.7	R20865	O-RING #11-014	1
3.8	R07885	1/2 - 2 WAY LOCK NUT	1
3.9	R20771	O-RING #11-210	1
3.10	R20774	3/4" HYTREL ROD WIPER 52-750	1
3.11	R07967	1 1/2" 23000 x 150 INTERNAL SNAP RING	1
3.12	R21287	1/4M x 3/8 SWIVEL ADAPTER	1
4	364-58-08-318	SPACER PIPE	1
5	R07643	1/2 x 4 HEX BOLT	1
6	R07885	1/2 - 2 WAY LOCK NUT	1
7	364-58-08-257	3/4" COUPLER	1
8	364-58-08-319	EXTENSION SHAFT	1
9	R07906	5/16 x 3/8" SET SCREW	2
10	R07881	3/4 - 2 WAY LOCK NUT	2
11	R08033	HP 68 x 3/4 x 4" SPRING	2
12	R07827	3/4" FLAT WASHER	1
13	R07786	5/8 HEX NUT	1