

Date Purchased _____ Machine Serial No. _____

Size of Spreader _____ Options _____

The key number system in this parts book is arranged as follows:

- ⊙ - Key numbers with two circles denotes main assemblies.
- - Key numbers with one circle are individual parts

Please order parts by number



TRUCKMOUNT VACUUM TANK

7000L TM VACUUM – 370-00-00-000

9000L TM VACUUM – 371-00-00-000

12000L TM VACUUM – 372-00-00-000

14000L TM VACUUM – 373-00-00-000

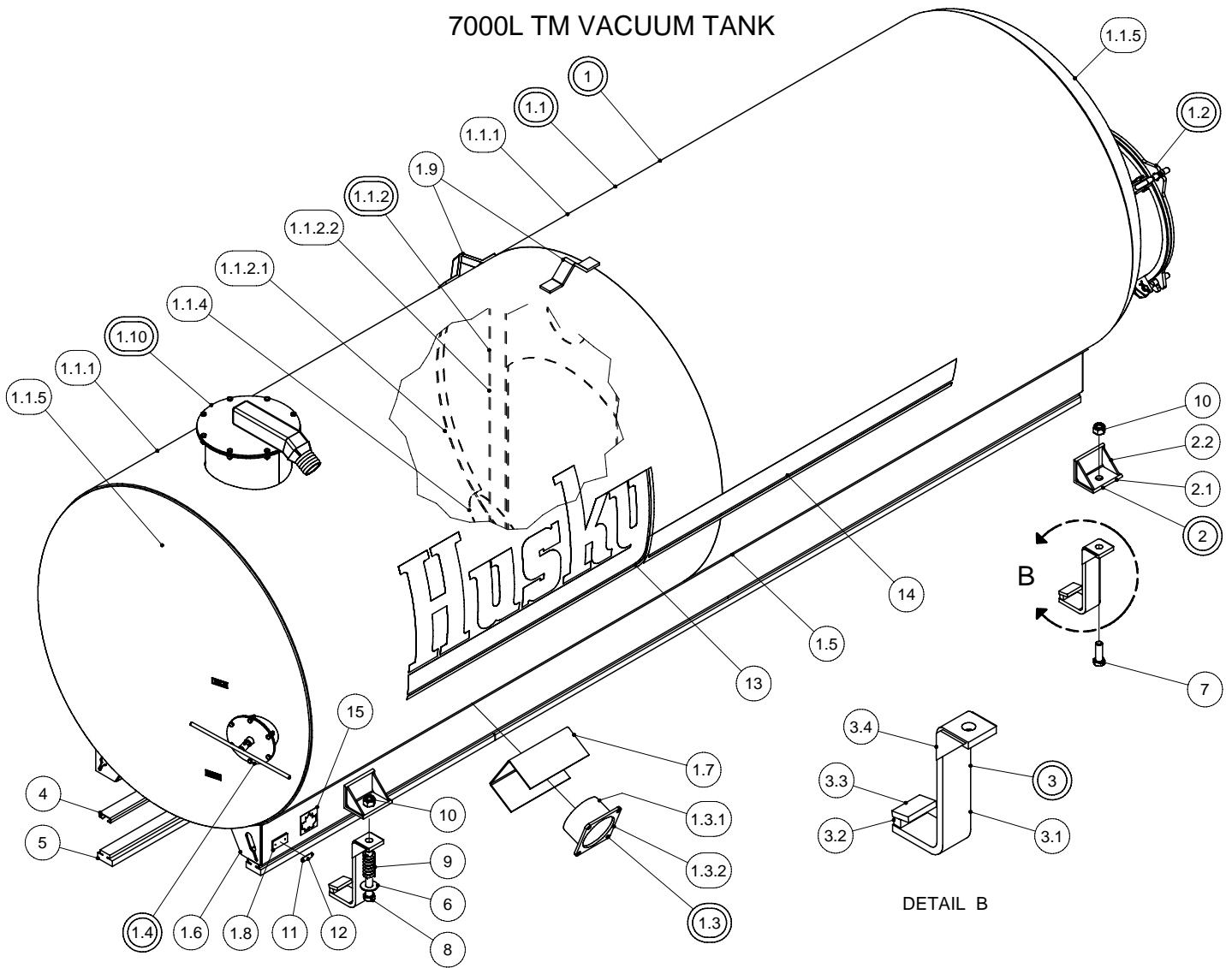
15000L TM VACUUM – 377-00-00-000

18000L TM VACUUM – 374-00-00-000

OPERATING INSTRUCTIONS:

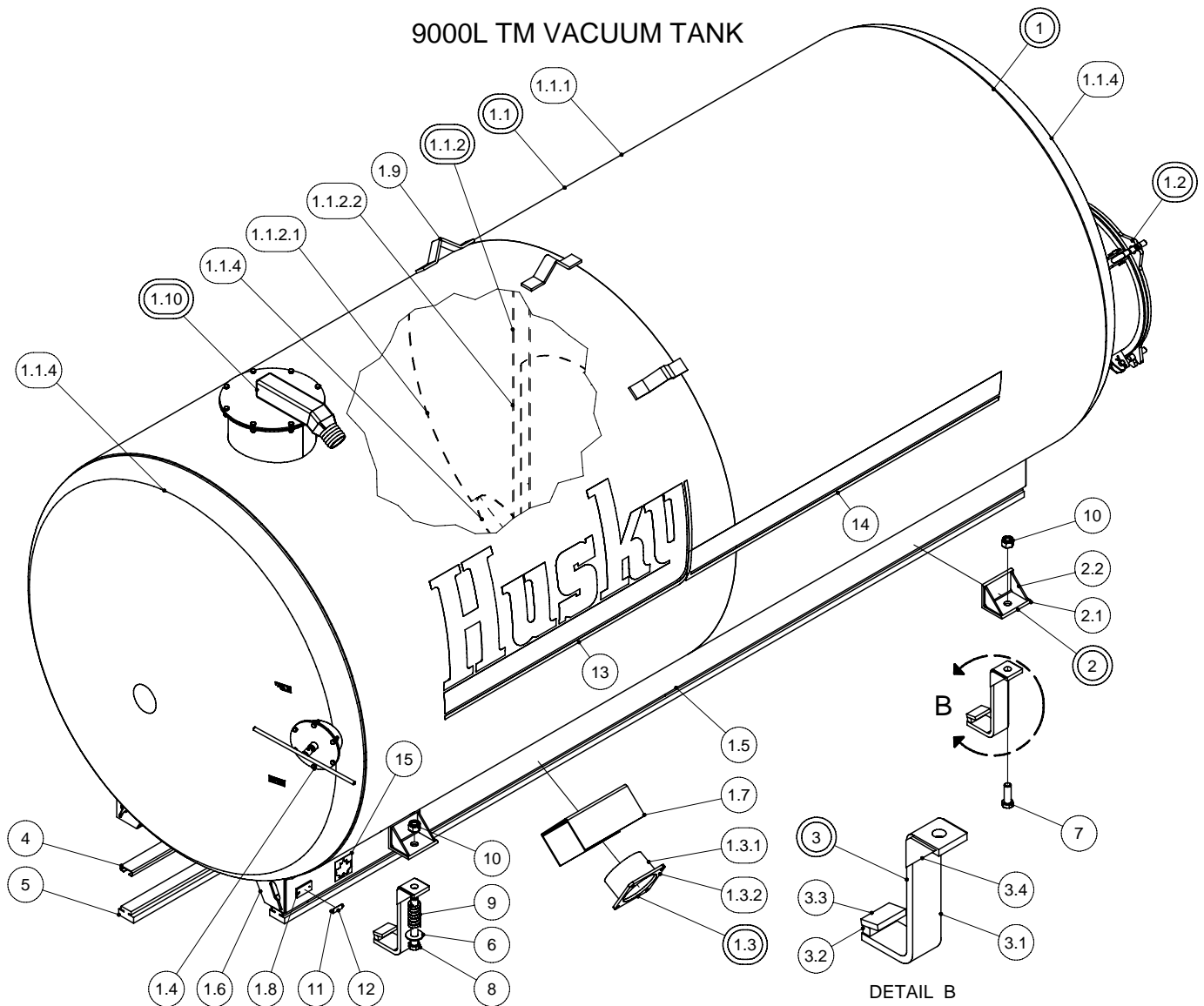
1. Do not operate machine until you fully understand the safe operating practices.
2. Make sure all moving parts are shielded to prevent coming in contact with clothing.
3. Vacuum pumps require lubricating oil at all times, make sure oil is in pump and drip oiler is set at approximately 30 drops per minute.
4. Never open manhole hatch while tank is pressurized, always depressurize before opening.
5. Your Vacuum tank is equipped with a pressure safety relief valve to protect against over pressurizing the tank. Never remove or tamper with relief valve or try to pressurize higher than valve setting.
6. Most vacuum pumps are designed for intermittent duty. Do not run pump on a continual basis without cooling options or pump will overheat.
7. **EXTREME DANGER** – Never enter a dirty manure spreader or storage tank – one breath of hydrogen sulphide gas is enough to kill. Have a ladder in your pit, so that if by accident you should fall in, you can get out.

7000L TM VACUUM TANK



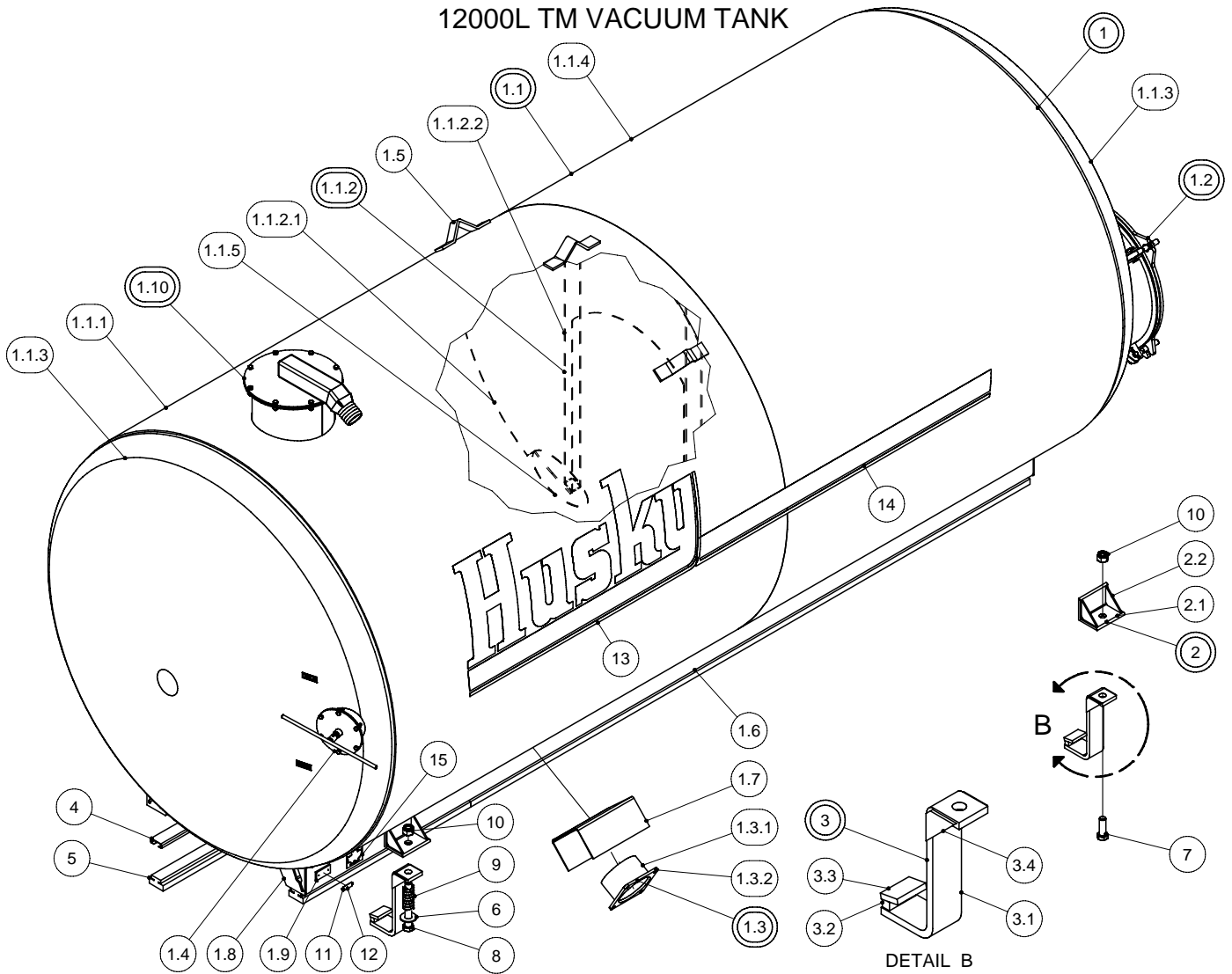
PARTS LIST				PARTS LIST			
ITEM	PART NUMBER	DESCRIPTION	QTY	ITEM	PART NUMBER	DESCRIPTION	QTY
1	370-04-00-000	7000L TANK & SILL ASSY	1	2.1	316-22-00-012	HOLD DOWN ANGLE BRKTS	1
1.1	366-21-13-000	7000L TANK ASSY	1	2.2	316-22-00-035	HOLD DOWN ANGLE GUSSET	2
1.1.1	366-21-13-084	7000L TANK SHELL	2	3	316-24-00-000	HOLD DOWN ASSY	4
1.1.2	365-40-01-000	54" DIA BAFFLE ASSY	1	3.1	316-24-00-044	BRKT MAIN PC	1
1.1.2.1	365-40-30-530	5700L FLANGED TANK BAFFLE	1	3.2	316-24-00-045	SPACER BAR	1
1.1.2.2	365-40-01-664	5800L BAFFLE SUPPORT TUBE	2	3.3	316-24-00-046	HOLD DOWN RETURN	1
1.1.3	340-01-01-559	OVAL REINFORCING PLATE	2	3.4	316-24-00-047	GUSSET	2
1.1.4	R09844	54" ROUND TANK END	2	4	R10482	RUBBER MOUNTING SILL CHANNEL	6
1.2	376-02-00-000	FLAT VACUUM HATCH COMPLETE-24"	1	5	R10483	RUBBER T-STRIP	4
1.3	368-01-72-000	6" VALVE FLANGE ASSY	1	6	R07828	1" FLAT WASHER	2
1.3.1	368-01-27-168	SIDE VALVE NIPLLE	1	7	R07663	1 x 3 UNC HEX BOLT	2
1.3.2	368-01-72-351	6" VALVE FLANGE	1	8	R07669	1 x 8 UNC HEX BOLT	2
1.4	330-20-00-000	SITE GAUGE KIT	1	9	R08034	HP 88 1 x 4 SPRING	2
1.5	370-04-00-008	7000L SILL	2	10	R08246	1 UNC NYLOCK NUT	4
1.6	370-04-00-009	SILL CAP	4	11	R08152	6 x 1/4 PAN HD SOCKET SCREW	2
1.7	368-01-00-234	DEFLECTOR PLATE	1	12	R09071	SERIAL NUMBER PLATE	1
1.8	340-01-00-498	SERIAL NO. BACK PLATE	1	13	R09510	"HUSKY" DECAL	2
1.9	300-01-00-012	TANK LIFT HOOK	3	14	R09511	ACCENT STRIP	2
1.10	376-08-00-000	TOP INLET PRIMARY TRAP KIT	1	15	R09509	"MADE IN CANADA" DECAL - LARGE	1
2	316-22-00-000	HOLD DOWN BRKT ASSY	4				

9000L TM VACUUM TANK



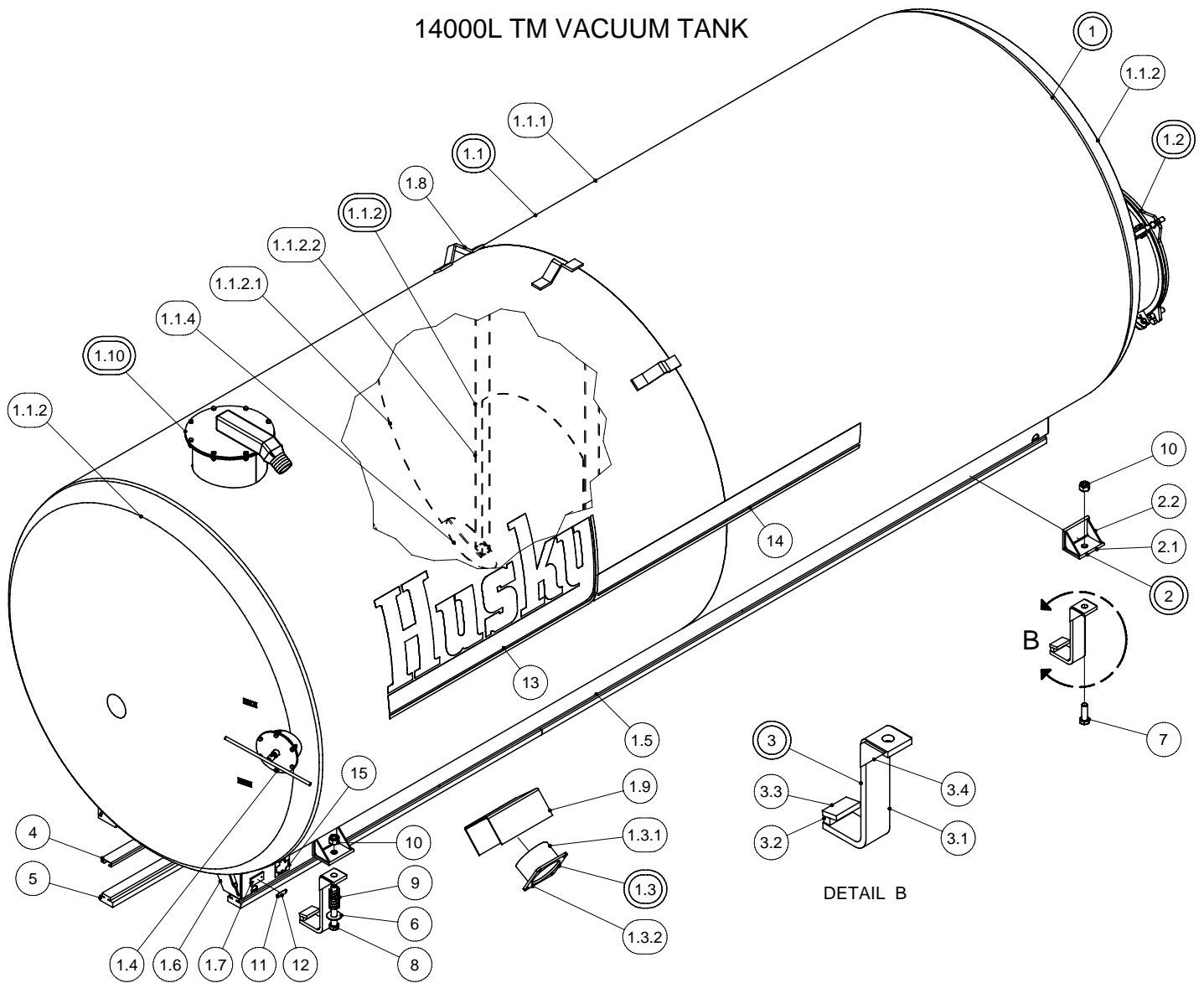
PARTS LIST				PARTS LIST			
ITEM	PART NUMBER	DESCRIPTION	QTY	ITEM	PART NUMBER	DESCRIPTION	QTY
1	371-03-00-000	9000L TANK & SILL ASSY	1	2.1	316-22-00-012	HOLD DOWN ANGLE BRKTS	1
1.1	367-18-10-000	9000L TANK ASSY	1	2.2	316-22-00-035	HOLD DOWN ANGLE GUSSET	2
1.1.1	367-18-10-073	9000L TANK SHELL	2	3	316-24-00-000	HOLD DOWN ASSY	4
1.1.2	367-18-12-000	BAFFLE ASSY-66" DIA	1	3.1	316-24-00-044	BRKT MAIN PC	1
1.1.2.1	367-18-10-074	9000 L BAFFLE-66" DIAMETER	1	3.2	316-24-00-045	SPACER BAR	1
1.1.2.2	367-18-12-663	9000L BAFFLE SUPPORT TUBE	2	3.3	316-24-00-046	HOLD DOWN RETURN	1
1.1.3	R09843	66" DIA FL & DISHED HEAD	2	3.4	316-24-00-047	GUSSET	2
1.1.4	340-01-01-559	OVAL REINFORCING PLATE	2	4	R10482	RUBBER MOUNTING SILL CHANNEL	6
1.2	376-02-00-000	FLAT VACUUM HATCH COMPLETE-24"	1	5	R10483	RUBBER T-STRIP	4
1.3	368-01-72-000	6" VALVE FLANGE ASSY	1	6	R07828	1" FLAT WASHER	2
1.3.1	368-01-27-168	SIDE VALVE NIPPLE	1	7	R07663	1 x 3 UNC HEX BOLT	2
1.3.2	368-01-72-351	6" VALVE FLANGE	1	8	R07669	1 x 8 UNC HEX BOLT	2
1.4	330-20-00-000	SITE GAUGE KIT	1	9	R08034	HP 88 1 x 4 SPRING	2
1.5	371-03-00-005	9000L SILL	2	10	R08246	1 UNC NYLOCK NUT	4
1.6	371-03-00-006	SILL CAP	4	11	R08152	6 x 1/4 PAN HD SOCKET SCREW	2
1.7	368-01-00-234	DEFLECTOR PLATE	1	12	R09071	SERIAL NUMBER PLATE	1
1.8	340-01-00-498	SERIAL NO. BACK PLATE	1	13	R09510	"HUSKY" DECAL	2
1.9	300-01-00-012	TANK LIFT HOOK	3	14	R09511	ACCENT STRIP	2
1.10	376-08-00-000	TOP INLET PRIMARY TRAP KIT	1	15	R09509	"MADE IN CANADA" DECAL - LARGE	1
2	316-22-00-000	HOLD DOWN BRKT ASSY	4				

12000L TM VACUUM TANK



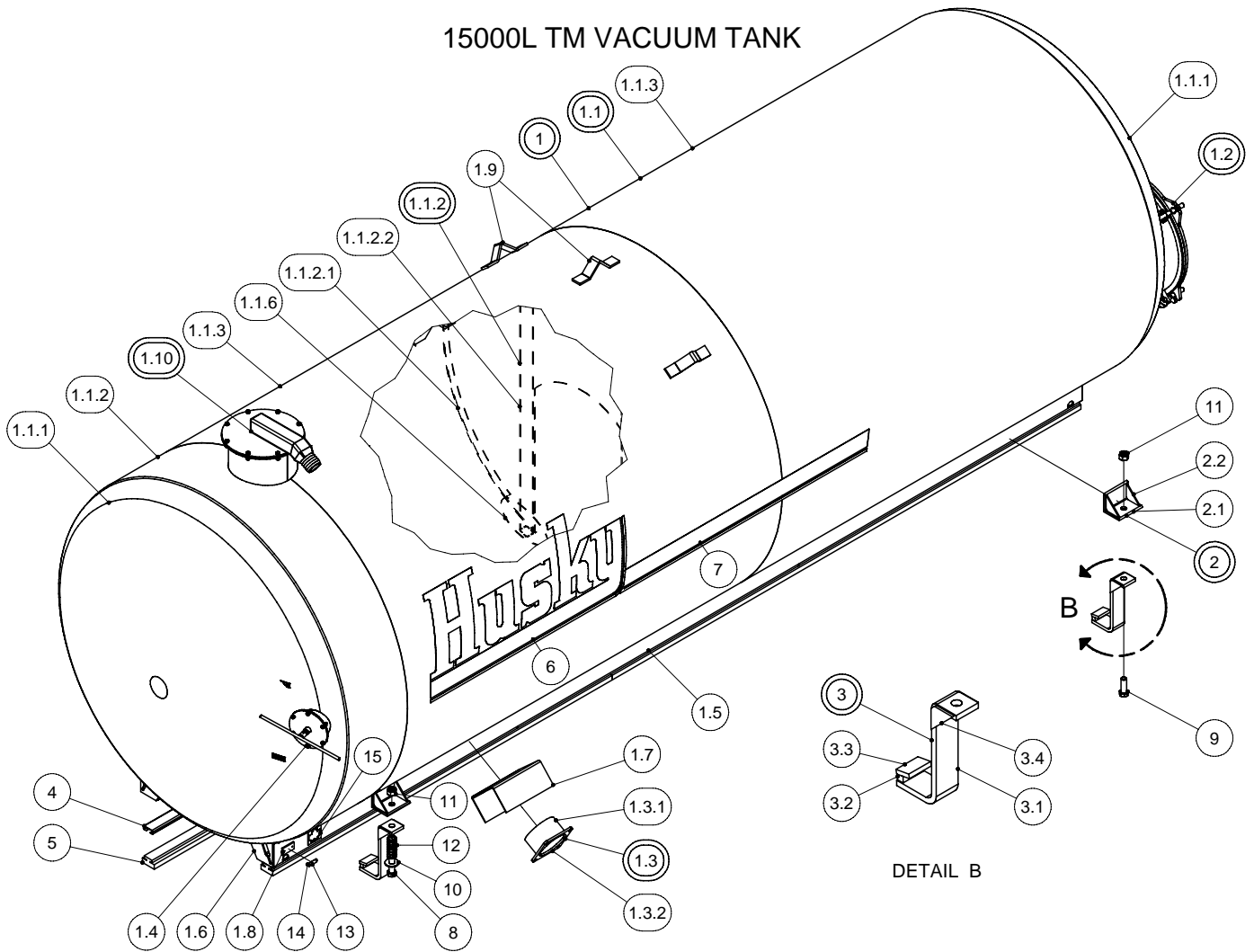
PARTS LIST				PARTS LIST			
ITEM	PART NUMBER	DESCRIPTION	QTY	ITEM	PART NUMBER	DESCRIPTION	QTY
1	372-01-00-000	12000L TANK & SILL ASSY	1	2	316-22-00-000	HOLD DOWN BRKT ASSY	4
1.1	368-01-01-000	12000L TANK ASSY	1	2.1	316-22-00-012	HOLD DOWN ANGLE BRKTS	1
1.1.1	368-01-01-009	12000L TANK SHELL	1	2.2	316-22-00-035	HOLD DOWN ANGLE GUSSET	2
1.1.2	368-01-09-000	72" DIA BAFFLE ASSY	1	3	316-24-00-000	HOLD DOWN ASSY	4
1.1.2.1	368-01-01-010	12 & 14000L BAFFLE - 72" DIA TANK	1	3.1	316-24-00-044	BRKT MAIN PC	1
1.1.2.2	368-01-09-661	72" DIA BAFFLE REINFORCING TUBE	2	3.2	316-24-00-045	SPACER BAR	1
1.1.3	R09826	72" OD F & D HEAD 1/4PL	2	3.3	316-24-00-046	HOLD DOWN RETURN	1
1.1.4	368-01-01-008	12000L TANK SHELL	1	3.4	316-24-00-047	GUSSET	2
1.1.5	340-01-01-559	OVAL REINFORCING PLATE	2	4	R10482	RUBBER MOUNTING SILL CHANNEL	6
1.2	376-02-00-000	FLAT VACUUM HATCH COMPLETE-24"	1	5	R10483	RUBBER T-STRIP	4
1.3	368-01-72-000	6" VALVE FLANGE ASSY	1	6	R07828	1" FLAT WASHER	2
1.3.1	368-01-27-168	SIDE VALVE NIPPLE	1	7	R07663	1 x 3 UNC HEX BOLT	2
1.3.2	368-01-72-351	6" VALVE FLANGE	1	8	R07669	1 x 8 UNC HEX BOLT	2
1.4	330-20-00-000	SITE GAUGE KIT	1	9	R08034	HP 88 1 x 4 SPRING	2
1.5	300-01-00-012	TANK LIFT HOOK	3	10	R08246	1 UNC NYLOCK NUT	4
1.6	372-01-00-001	12000L TM SILL	2	11	R08152	6 x 1/4 PAN HD SOCKET SCREW	2
1.7	368-01-00-234	DEFLECTOR PLATE	1	12	R09071	SERIAL NUMBER PLATE	1
1.8	372-01-00-002	SILL CAP	4	13	R09510	"HUSKY" DECAL	2
1.9	340-01-00-498	SERIAL NO. BACK PLATE	1	14	R09511	ACCENT STRIP	2
1.10	376-08-00-000	TOP INLET PRIMARY TRAP KIT	1	15	R09509	"MADE IN CANADA" DECAL - LARGE	1

14000L TM VACUUM TANK



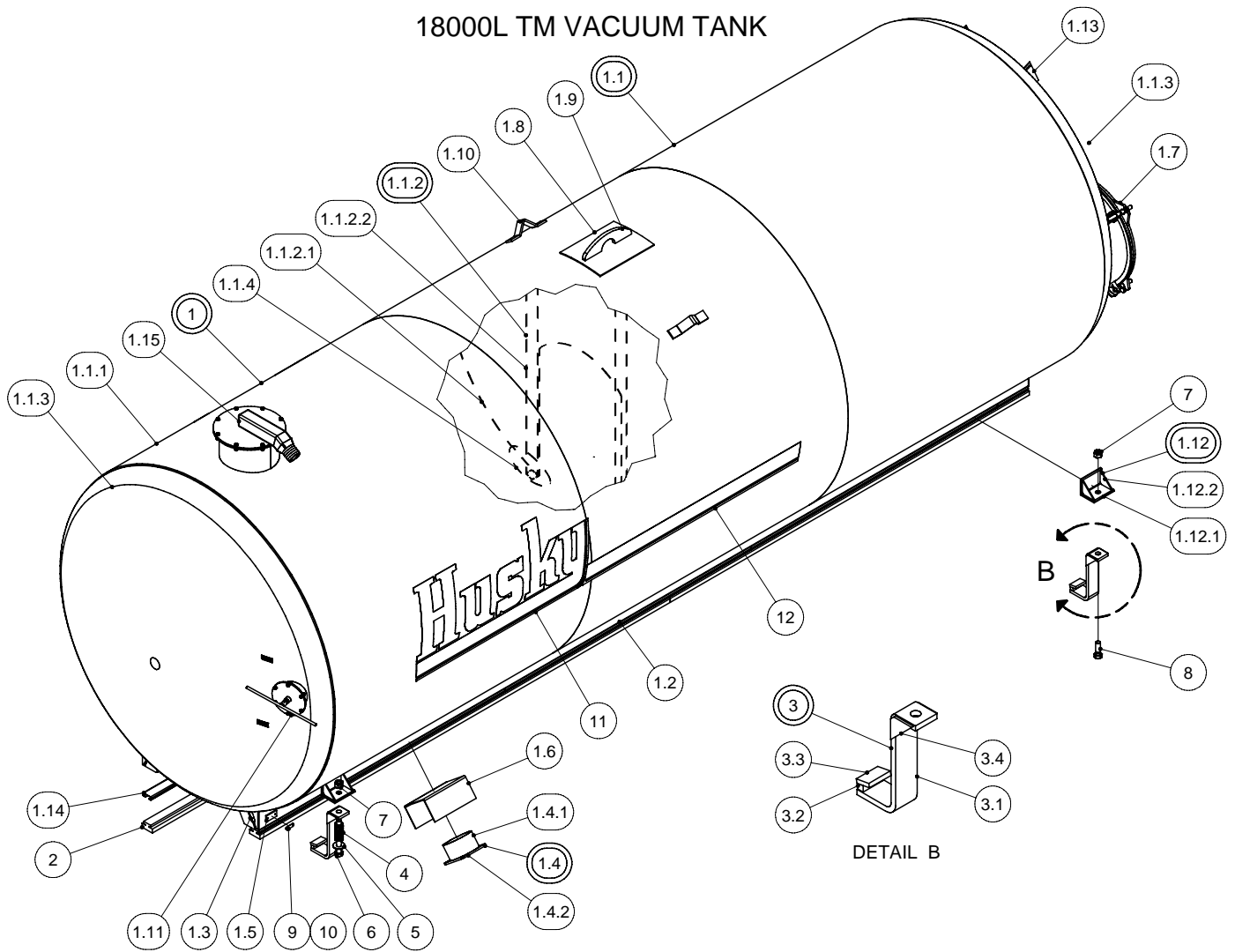
PARTS LIST				PARTS LIST			
ITEM	PART NUMBER	DESCRIPTION	QTY	ITEM	PART NUMBER	DESCRIPTION	QTY
1	373-02-00-000	14000L TANK & SILL ASSY	1	2.1	316-22-00-012	HOLD DOWN ANGLE BRKTS	1
1.1	369-19-12-000	14000L TANK ASSY	1	2.2	316-22-00-035	HOLD DOWN ANGLE GUSSET	2
1.1.1	369-19-12-080	14000L TANK SHELL	2	3	316-24-00-000	HOLD DOWN ASSY	4
1.1.2	368-01-09-000	72" DIA BAFFLE ASSY	2	3.1	316-24-00-044	BRKT MAIN PC	1
1.1.2.1	368-01-01-010	12 & 14000L BAFFLE - 72" DIA TANK	1	3.2	316-24-00-045	SPACER BAR	1
1.1.2.2	368-01-09-661	72" DIA BAFFLE REINFORCING TUBE	2	3.3	316-24-00-046	HOLD DOWN RETURN	1
1.1.3	R09826	72" OD F & D HEAD 1/4PL	2	3.4	316-24-00-047	GUSSET	2
1.1.4	340-01-01-559	OVAL REINFORCING PLATE	4	4	R10482	RUBBER MOUNTING SILL CHANNEL	6
1.2	376-02-00-000	FLAT VACUUM HATCH COMPLETE-24"	1	5	R10483	RUBBER T-STRIP	4
1.3	368-01-72-000	6" VALVE FLANGE ASSY	1	6	R07828	1" FLAT WASHER	2
1.3.1	368-01-27-168	SIDE VALVE NIPPLE	1	7	R07663	1 x 3 UNC HEX BOLT	2
1.3.2	368-01-72-351	6" VALVE FLANGE	1	8	R07669	1 x 8 UNC HEX BOLT	2
1.4	330-20-00-000	SITE GAUGE KIT	1	9	R08034	HP 88 1 x 4 SPRING	2
1.5	373-02-00-004	14000L TM SILL	2	10	R08246	1 UNC NYLOCK NUT	4
1.6	372-01-00-002	SILL CAP	4	11	R08152	6 x 1/4 PAN HD SOCKET SCREW	2
1.7	340-01-00-498	SERIAL NO. BACK PLATE	1	12	R09071	SERIAL NUMBER PLATE	1
1.8	300-01-00-012	TANK LIFT HOOK	3	13	R09510	"HUSKY" DECAL	2
1.9	368-01-00-234	DEFLECTOR PLATE	1	14	R09511	ACCENT STRIP	2
1.10	376-08-00-000	TOP INLET PRIMARY TRAP KIT	1	15	R09509	"MADE IN CANADA" DECAL - LARGE	1
2	316-22-00-000	HOLD DOWN BRKT ASSY					

15000L TM VACUUM TANK



PARTS LIST				PARTS LIST			
ITEM	PART NUMBER	DESCRIPTION	QTY	ITEM	PART NUMBER	DESCRIPTION	QTY
1	377-01-00-000	15000L TANK & SILL ASSY	1	2	316-22-00-000	HOLD DOWN BRKT ASSY	4
1.1	376-01-02-000	15000L TANK ASSY	1	2.1	316-22-00-012	HOLD DOWN ANGLE BRKTS	1
1.1.1	R09826	72" OD F & D HEAD 1/4PL	2	2.2	316-22-00-035	HOLD DOWN ANGLE GUSSET	2
1.1.2	368-01-09-000	72" DIA BAFFLE ASSY	2	3	316-24-00-000	HOLD DOWN ASSY	4
1.1.2.1	368-01-01-010	12 & 14000L BAFFLE - 72" DIA TANK	1	3.1	316-24-00-044	BRKT MAIN PC	1
1.1.2.2	368-01-09-661	72" DIA BAFFLE REINFORCING TUBE	2	3.2	316-24-00-045	SPACER BAR	1
1.1.3	376-01-02-497	15000L SHORT SHELL	1	3.3	316-24-00-046	HOLD DOWN RETURN	1
1.1.4	369-19-12-080	14000L TANK SHELL	2	3.4	316-24-00-047	GUSSET	2
1.1.5	340-01-01-559	OVAL REINFORCING PLATE	4	4	R10482	RUBBER MOUNTING SILL CHANNEL	6
1.2	376-02-00-000	FLAT VACUUM HATCH COMPLETE-24"	1	5	R10483	RUBBER T-STRIP	4
1.3	368-01-72-000	6" VALVE FLANGE ASSY	1	6	R09510	"HUSKY" DECAL	2
1.3.1	368-01-27-168	SIDE VALVE NIPPLE	1	7	R09511	ACCENT STRIP	2
1.3.2	368-01-72-351	6" VALVE FLANGE	1	8	R07669	1 x 8 UNC HEX BOLT	2
1.4	330-20-00-000	SITE GAUGE KIT	1	9	R07663	1 x 3 UNC HEX BOLT	2
1.5	377-01-00-066	15000L TM SILL	2	10	R07828	1" FLAT WASHER	2
1.6	372-01-00-002	SILL CAP	4	11	R08246	1 UNC NYLOCK NUT	4
1.7	368-01-00-234	DEFLECTOR PLATE	1	12	R08034	HP 88 1 x 4 SPRING	2
1.8	340-01-00-498	SERIAL NO. BACK PLATE	1	13	R09071	SERIAL NUMBER PLATE	1
1.9	300-01-00-012	TANK LIFT HOOK	3	14	R08152	6 x 1/4 PAN HD SOCKET SCREW	2
1.10	376-08-00-000	TOP INLET PRIMARY TRAP KIT	1	15	R09509	"MADE IN CANADA" DECAL - LARGE	1

18000L TM VACUUM TANK



PARTS LIST				PARTS LIST			
ITEM	PART NUMBER	DESCRIPTION	QTY	ITEM	PART NUMBER	DESCRIPTION	QTY
1	374-18-00-000	18000L VACUUM TANK & SILL ASSY-78Ø	1	1.12.1	316-22-00-012	HOLD DOWN ANGLE BRKTS	1
1.1	375-67-66-000	18000L TANK ASSY (78" DIA)	1	1.12.2	316-22-00-035	HOLD DOWN ANGLE GUSSET	2
1.1.1	375-67-66-315	78" DIA SHELL	3	1.13	372-00-00-046	STICKER PLATE BRKT	2
1.1.2	375-67-01-000	78" DIA BAFFLE ASSY-NOT FLANGED	2	1.14	R10482	RUBBER MOUNTING SILL CHANNEL	8
1.1.2.1	375-67-66-317	78" DIA BAFFLE	1	1.15	376-08-00-000	TOP INLET PRIMARY TRAP KIT	1
1.1.2.2	375-67-01-662	18000L BAFFLE SUPPORT TUBE	2	2	R10483	RUBBER T-STRIP	4
1.1.3	R09911	78" DIA HEAD	2	3	316-24-00-000	HOLD DOWN ASSY	4
1.1.4	340-01-01-559	OVAL REINFORCING PLATE	4	3.1	316-24-00-044	BRKT MAIN PC	1
1.2	374-00-00-039	SILL FOR 78" DIA TANK	2	3.2	316-24-00-045	SPACER BAR	1
1.3	374-00-00-047	SILL CAP-78" DIAMETER TANK	4	3.3	316-24-00-046	HOLD DOWN RETURN	1
1.4	368-01-72-000	6" VALVE FLANGE ASSY	1	3.4	316-24-00-047	GUSSET	2
1.4.1	368-01-27-168	SIDE VALVE NIPPLE	1	4	R08034	HP 88 1 x 4 SPRING	2
1.4.2	368-01-72-351	6" VALVE FLANGE	1	5	R07828	1" FLAT WASHER	2
1.5	340-01-00-498	SERIAL NO. BACK PLATE	1	6	R07669	1 x 8" HEX BOLT	2
1.6	368-01-00-234	DEFLECTOR PLATE	1	7	R08246	1 UNC NYLOCK NUT	4
1.7	376-02-00-000	FLAT VACUUM HATCH COMPLETE-24"	1	8	R07663	1 x 3" HEX BOLT	2
1.8	340-01-00-546	LIFT HOOK REINFORCING PLATE	1	9	R09071	SERIAL NUMBER PLATE	1
1.9	340-01-00-555	CENTER LIFT HOOK	1	10	R08152	6 x 1/4 PAN HD SOCKET SCREW	2
1.10	300-01-00-012	TANK LIFT HOOK	2	11	R09510	"HUSKY" DECAL	2
1.11	330-20-00-000	SITE GAUGE KIT	1	12	R09511	ACCENT STRIP	2
1.12	316-22-00-000	HOLD DOWN BRKT ASSY	4				

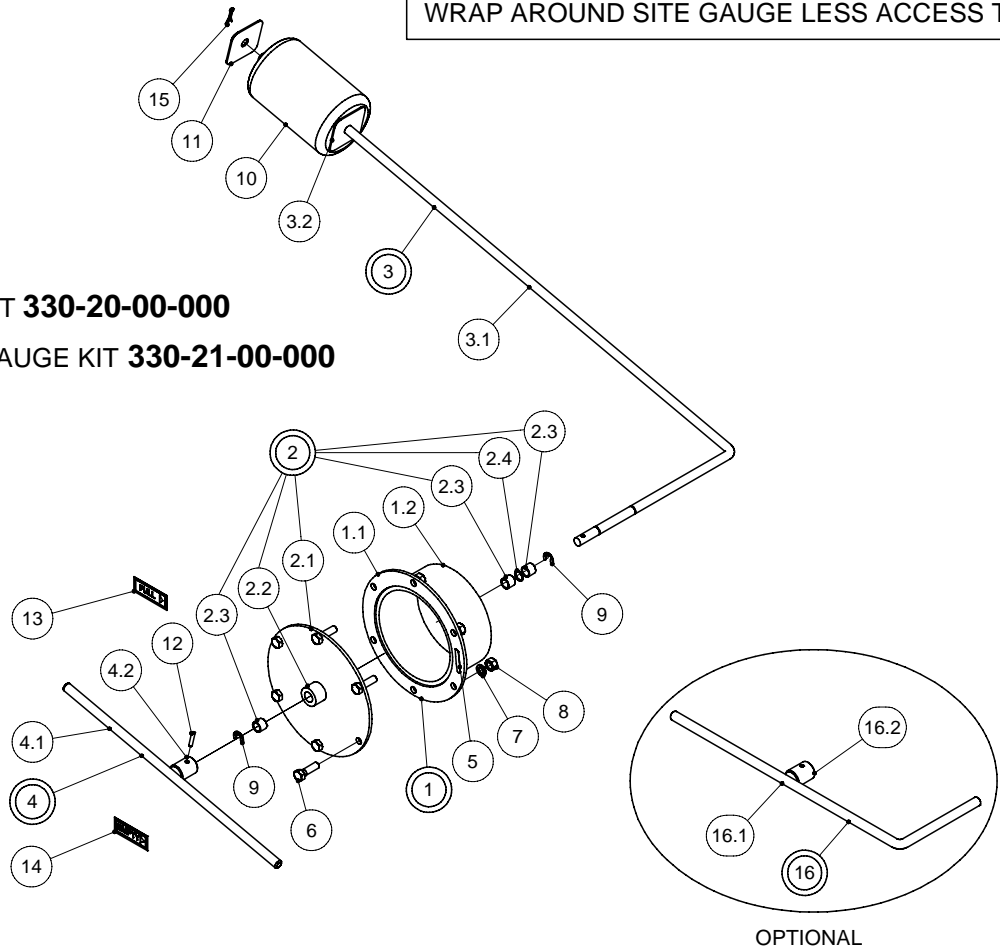
SIGHT GAUGE KIT

PARTS LIST				PARTS LIST			
ITEM	PART NUMBER	DESCRIPTION	QTY	ITEM	PART NUMBER	DESCRIPTION	QTY
1	330-20-03-000	ACCESS TUBE ASSY	1	5	R04100	SILICONE SEALANT	1
1.1	330-20-03-560	ACCESS TUBE FLANGE	1	6	R07675	3/8 x 1 1/4" HEX BOLT	6
1.2	330-20-03-556	ACCESS TUBE	1	7	R07803	3/8 LOCK WASHER	6
2	330-20-04-000	COVER PLATE ASSY	1	8	R07783	3/8 HEX NUT	6
2.1	330-20-00-557	COVER PLATE	1	9	R07974	EXTERNAL RETAINING RING	2
2.2	330-20-04-562	BUSHING HOLDER	1	10	R09524	FLOAT	1
2.3	R21173	1/2 x 5/8 x 1/2" BRONZE BUSHING	3	11	330-20-01-552	FLOAT STRAPS	1
2.4	R20865	O-RING #11-014	1	12	R08241	3/16 x 1 SS ROLL PIN	1
3	330-20-01-000	FLOAT ARM ASSY	1	13	R09529	"FULL" DECAL	1
3.1	330-20-01-551	FLOAT ARM	1	14	R09530	"EMPTY" DECAL	1
3.2	330-20-01-552	FLOAT STRAPS	1	15	R08021	1/8 x 1 S.S. COTTER PIN	1
4	330-20-02-000	INDICATOR ARM ASSY	1	16	330-21-01-000	WRAP AROUND SITE ARM ASSY	1
4.1	330-20-02-554	INDICATOR ARM	1	16.1	330-19-46-546	WRAP AROUND SITE ARM	1
4.2	330-20-02-553	INDICATOR ARM HUB	1	16.2	330-20-02-553	INDICATOR ARM HUB	1

330-22-00-000
SITE GAUGE LESS ACCESS TUBE

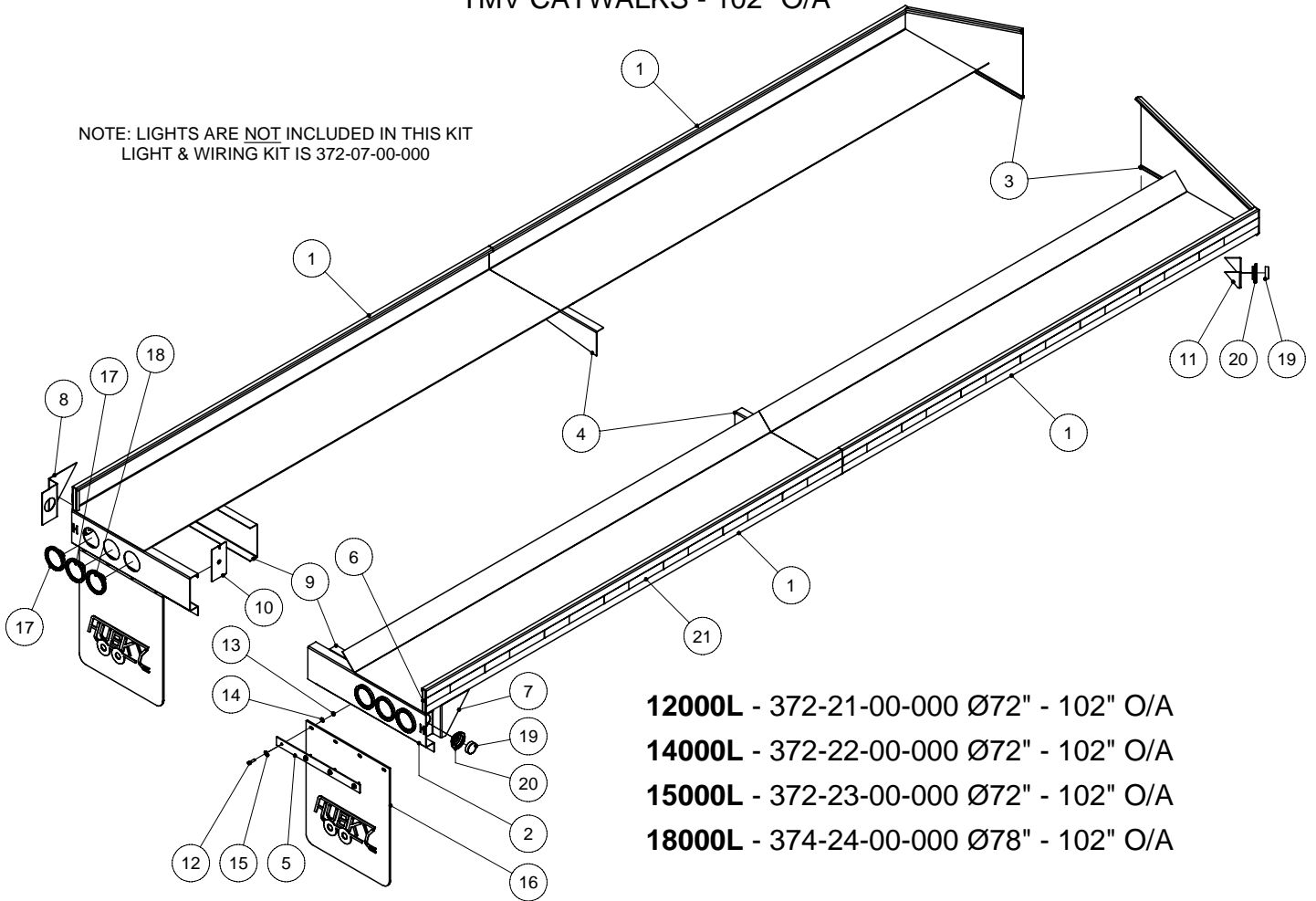
330-23-00-000
WRAP AROUND SITE GAUGE LESS ACCESS TUBE

SIGHT GAUGE KIT **330-20-00-000**
WRAP AROUND SIGHT GAUGE KIT **330-21-00-000**



TMV CATWALKS - 102" O/A

NOTE: LIGHTS ARE NOT INCLUDED IN THIS KIT
LIGHT & WIRING KIT IS 372-07-00-000

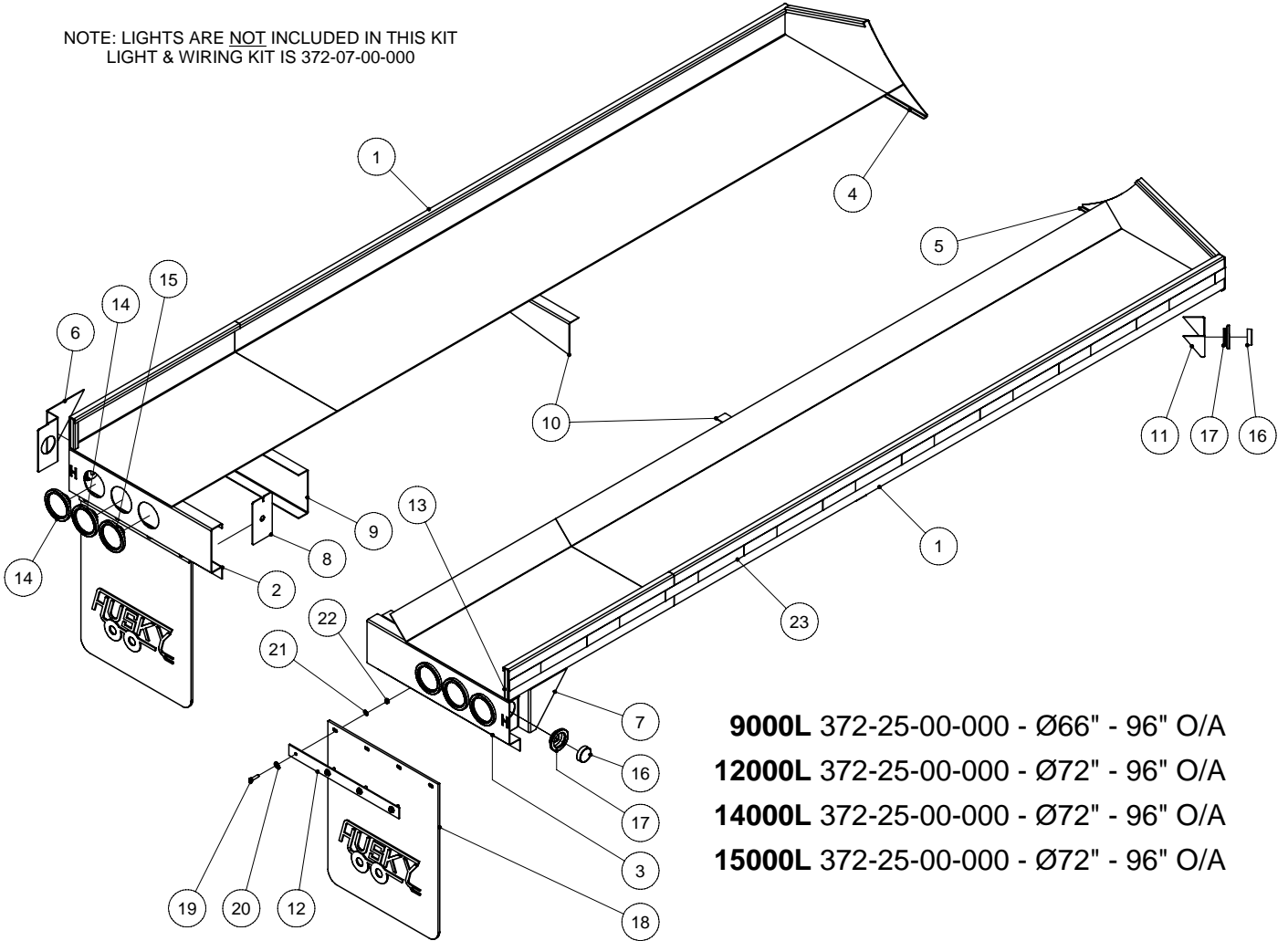


- 12000L** - 372-21-00-000 Ø72" - 102" O/A
- 14000L** - 372-22-00-000 Ø72" - 102" O/A
- 15000L** - 372-23-00-000 Ø72" - 102" O/A
- 18000L** - 374-24-00-000 Ø78" - 102" O/A

PARTS LIST			
ITEM	PART NUMBER	DESCRIPTION	QTY
1	372-00-00-028	FULL LENGTH FENDERS-Ø72" - 102" O/A - 12000L (26 ft), 14000L (32 ft), 15000L (34.5 ft)	-
	374-00-00-107	FULL LENGTH FENDERS-Ø78" - 102" O/A - 18000L (37.5 ft)	-
2	372-00-00-027	REAR SUPPORT LH & RH	2
3	372-00-00-029	FRONT SUPPORT LH & RH	2
4	372-00-00-026	CENTRE SUPPORT LH & RH - 12000L, 14000L, 15000L = QTY 2 18000L = QTY 4	-
5	332-27-00-083	MUDFLAP CLAMP STRAP	2
6	372-00-00-067	CATWALK FILLER TUBE	2
7	372-00-00-069	RH CLEARANCE LITE BRKT	1
8	372-00-00-070	LH CLEARANCE LITE BRKT	1
9	372-00-00-071	TAIL LIGHT COVER	2
10	372-00-00-072	TAIL LITE BRKT END PLATE	2
11	372-00-00-073	FRONT CLEARANCE LITE BRKT-RD	2
12	R07620	3/8 x 1 1/2 UNC HEX BOLT	8
13	R07783	3/8-16 UNC HEX NUT	8
14	R07803	3/8" LOCK WASHER	8
15	R07823	3/8" FLAT WASHER	8
16	R09528	HUSKY MUDFLAP	2
17	R10087	RED LIGHT KIT	4
18	R10088	BACKUP LIGHT KIT	2
19	R10353	Ø2 1/2" RED CLEARANCE LIGHT	4
20	R10355	Ø2 1/2" RUBBER MOUNT	4
21	R10361	REFLECTOR TAPE - RED/SILVER	4

TMV CATWALKS - 96" O/A

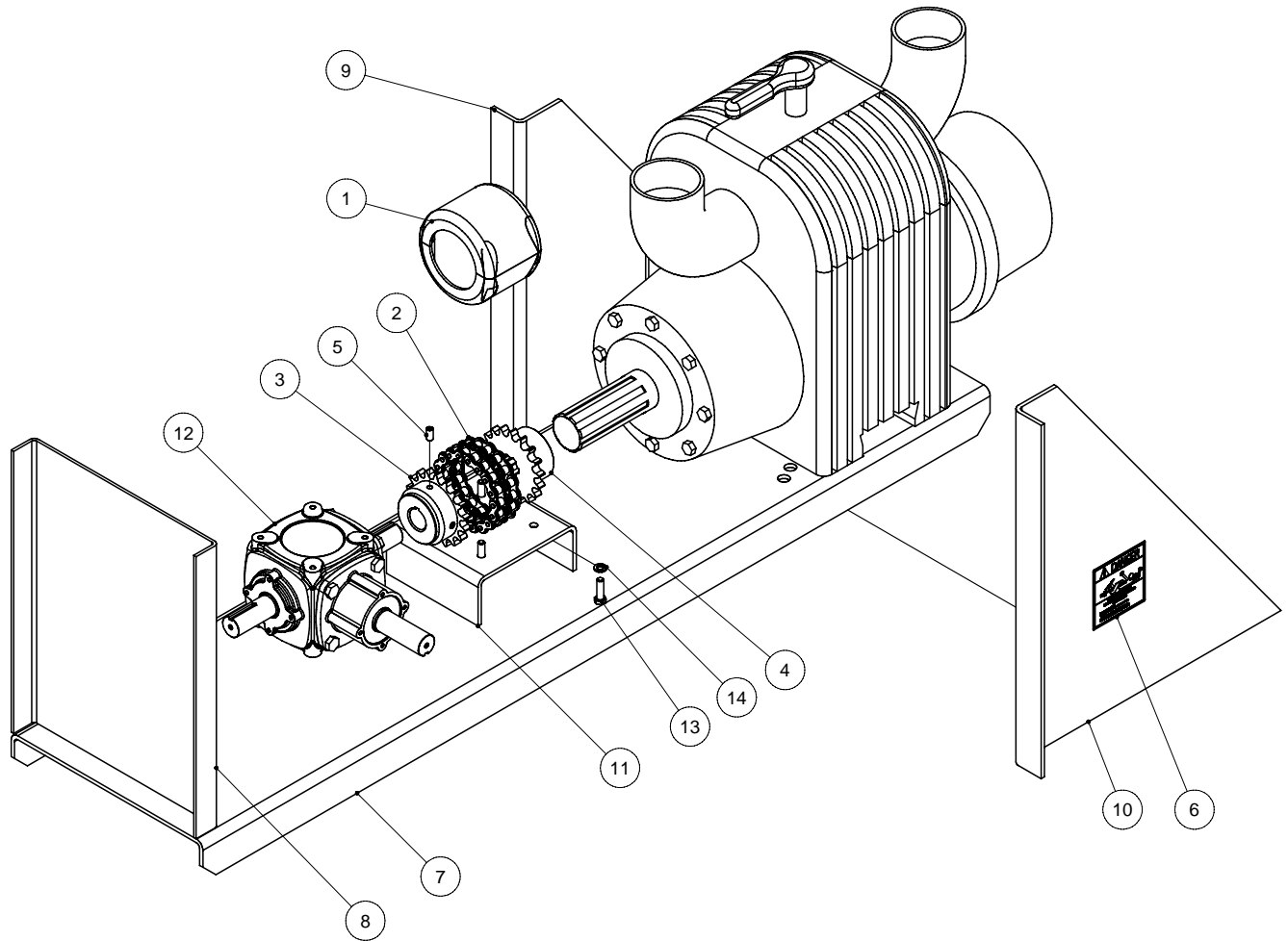
NOTE: LIGHTS ARE NOT INCLUDED IN THIS KIT
LIGHT & WIRING KIT IS 372-07-00-000



- 9000L** 372-25-00-000 - Ø66" - 96" O/A
- 12000L** 372-25-00-000 - Ø72" - 96" O/A
- 14000L** 372-25-00-000 - Ø72" - 96" O/A
- 15000L** 372-25-00-000 - Ø72" - 96" O/A

PARTS LIST				PARTS LIST			
ITEM	PART NUMBER	DESCRIPTION	QTY	ITEM	PART NUMBER	DESCRIPTION	QTY
1	372-00-00-108	FENDER - Ø72"- 96" O/A - 12000L (26 ft), 14000L (32 ft), 15000L (34.5 ft)	-	11	372-00-00-073	FRONT CLEARANCE LITE BRKT-RD	2
				12	332-27-00-083	MUDFLAP CLAMP STRAP	2
	371-00-00-113	FENDER - Ø66" - 96" O/A - 9000L (24 ft)	-	13	372-00-00-067	CATWALK FILLER TUBE	2
2	372-00-00-109	LH REAR SUPPORT-96" O/A	1	14	R10087	RED LIGHT KIT	4
3	372-00-00-110	RH REAR SUPPORT-96" O/A	1	15	R10088	BACKUP LIGHT KIT	2
4	372-00-00-111	LH FRONT SUPPORT Ø72"-96" O/A	1	16	R10353	Ø2 1/2" RED CLEARANCE LIGHT	4
	371-00-00-114	LH FRONT SUPPORT Ø66"-96" O/A	1	17	R10355	Ø2 1/2" RUBBER MOUNT	4
5	372-00-00-112	RH FRONT SUPPORT Ø72"-96"O/A	1	18	R09528	HUSKY MUDFLAP	2
	371-00-00-115	RH FRONT SUPPORT Ø66"-96"O/A	1	19	R07620	3/8 x 1 1/2 UNC HEX BOLT	8
6	372-00-00-070	LH CLEARANCE LITE BRKT	1	20	R07823	3/8" FLAT WASHER	8
7	372-00-00-069	RH CLEARANCE LITE BRKT	1	21	R07803	3/8" LOCK WASHER	8
8	372-00-00-072	TAIL LITE BRKT END PLATE	2	22	R07783	3/8-16 UNC HEX NUT	8
9	372-00-00-071	TAIL LIGHT COVER	2	23	R10361	REFLECTOR TAPE - RED/SILVER	4
10	372-00-00-026	CENTRE SUPPORT	2				

DIRECT VACUUM DRIVE KIT

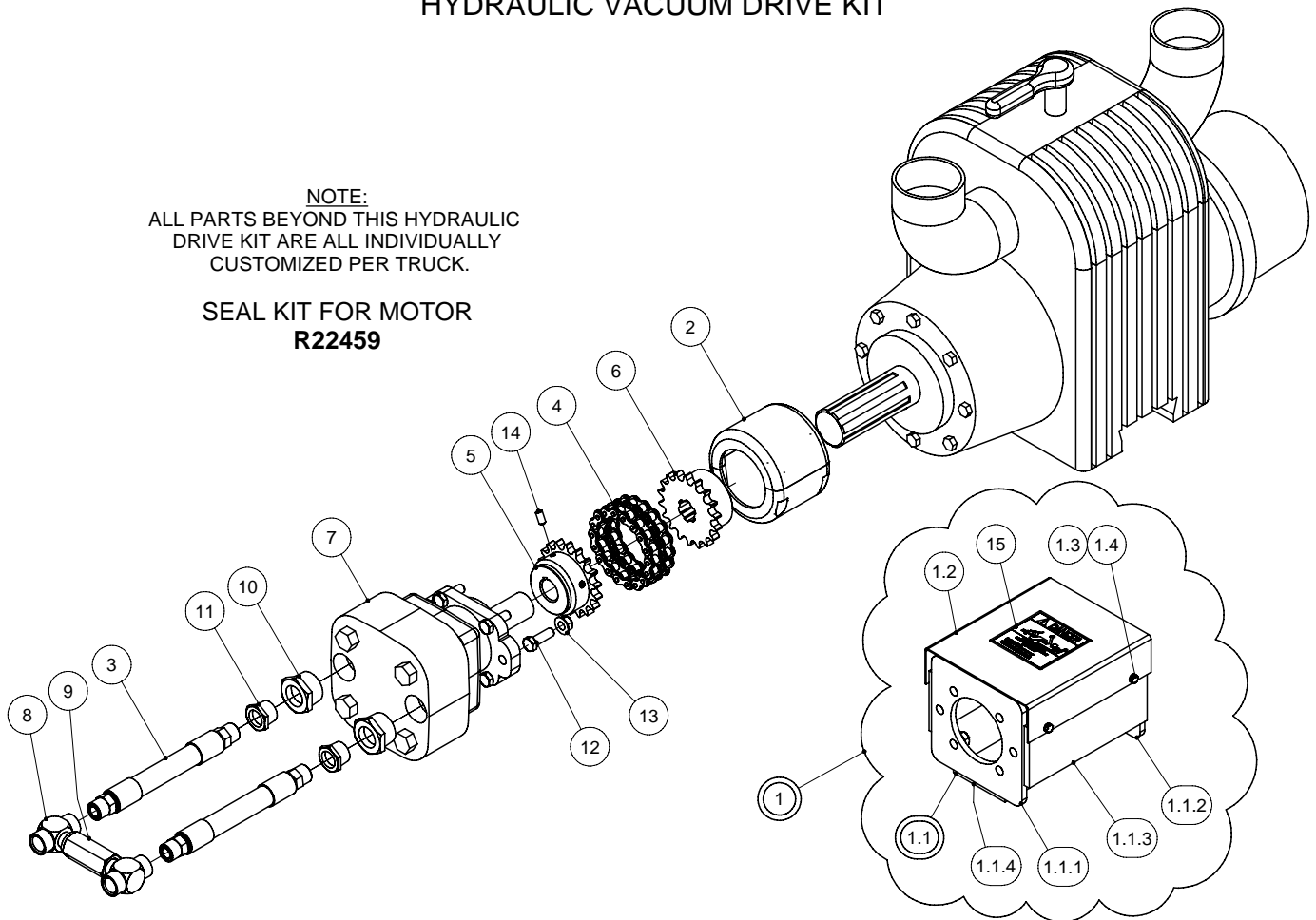


PARTS LIST			
ITEM	PART NUMBER	DESCRIPTION	QTY
1	R20617	60 - 18 COUPLING COVER	1
2	R20883	60-18 COUPLING CHAIN	1
3	384-02-00-007	60B - 18 SPR.-1 1/4" STR SHAFT	1
4	384-02-00-072	SPROCKET FOR 6 TOOTH SPLINE	1
5	R07911	3/8 x 3/4 UNC SET SCREW	2
6	R21521	"ROTATING DRIVE LINE" DECAL	1
7	372-00-00-038	PUMP MOUNT CHANNEL	1
8	372-00-00-037	RH SUPPORT	1
9	372-00-00-035	MOUNT CHANNEL SUPPORT	1
10	372-00-00-035 RH	MOUNT CHANNEL SUPPORT	1
11	372-00-00-036	GEAR BOX MOUNT	1
12	R21739	T-19A (1:1) GEARBOX - 259.066.1	1
13	R07675	3/8 x 1 1/4 UNC HEX BOLT	4
14	R07803	3/8" LOCK WASHER	4

HYDRAULIC VACUUM DRIVE KIT

NOTE:
ALL PARTS BEYOND THIS HYDRAULIC
DRIVE KIT ARE ALL INDIVIDUALLY
CUSTOMIZED PER TRUCK.

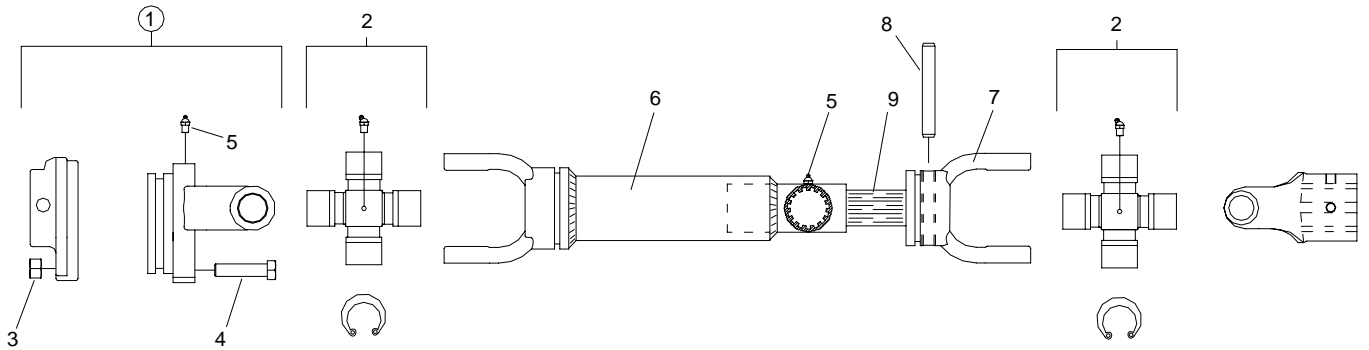
**SEAL KIT FOR MOTOR
R22459**



PARTS LIST

ITEM	PART NUMBER	DESCRIPTION	QTY
1	375-98-00-000	HYDRAULIC MOUNT KIT FOR JUROP VAC PUMP	1
1.1	375-98-01-000	HYDRAULIC DRIVE BOX ASSY	1
1.1.1	375-99-01-472	HYDRAULIC MOTOR PLATE	1
1.1.2	375-99-01-473	VACUUM PUMP PLATE	1
1.1.3	375-98-01-488	SIDE TIE PLATE	2
1.1.4	375-98-01-489	BOTTOM TIE PLATE	1
1.2	375-98-00-490	COVER PLATE	1
1.3	R07801	1/4" LOCK WASHER	4
1.4	R07698	1/4 x 1/2 UNC HEX BOLT	4
2	R20617	60 - 18 COUPLING COVER	1
3	364-48-32-000	3/4" HYD HOSE ASSY	2
4	R20883	60-18 COUPLING CHAIN	1
5	384-02-00-007	60B - 18 SPR.-1 1/4" STR SHAFT	1
6	384-02-00-072	SPROCKET FOR 6 TOOTH SPLINE	1
7	R21356	MUNCIE PUMP-PL237 BPBB	1
8	R21393	3/4" HYDRAULIC TEE	2
9	R21202	3/4" NPT IN-LINE CHECK VALVE	1
10	R21283	1 1/2" X 1" BUSHING	2
11	R21292	1" X 3/4" BUSHING	2
12	R07638	1/2 x 1 1/2 UNC HEX BOLT	6
13	R07795	1/2-13 UNC FLANGE NUT	6
14	R07911	3/8 x 3/4 UNC SET SCREW	2
15	R21521	"ROTATING DRIVE LINE" DECAL	1

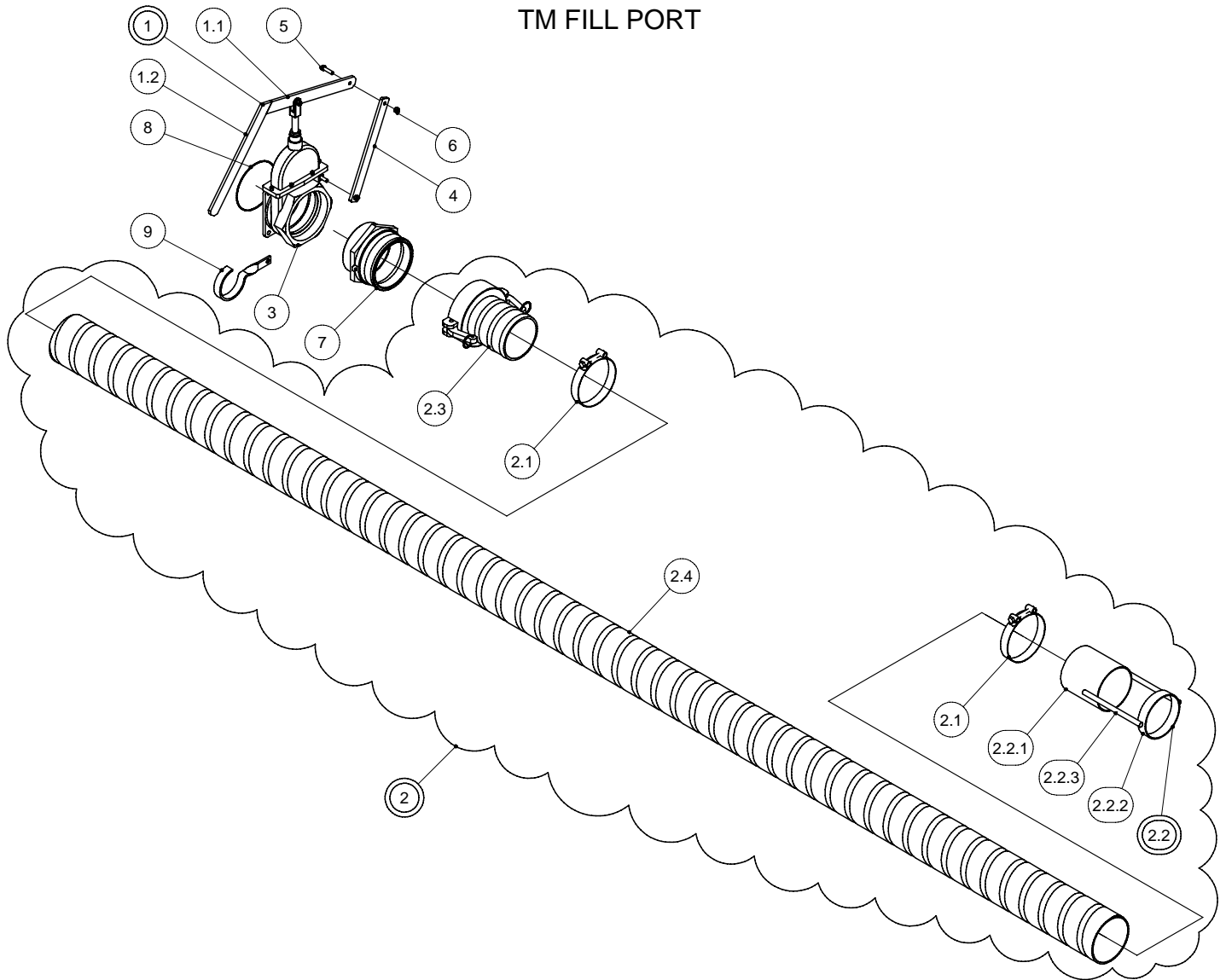
TM PTO



BONDIOLI & PAVESI PTO R21580

PARTS LIST				
ITEM	BONDIOLI & PAVESI #	HUSKY #	DESCRIPTION	QTY
1	6060E6701R	R22316	SHEAR YOKE ASSY	1
2	41204R	R21693	CROSS KIT	2
3,4	432000003R05	R22336	SHEAR BOLT & NUT	1
5	348018000	R22325	GREASE FTG	2
6	569B49021	R22327	YOKE & TUBE ASSY	1
7	204043251		SPLINED YOKE	1
8	345013000R10		ROLL PIN	1
9	249170560	R22326	SPLINED SHAFT	1

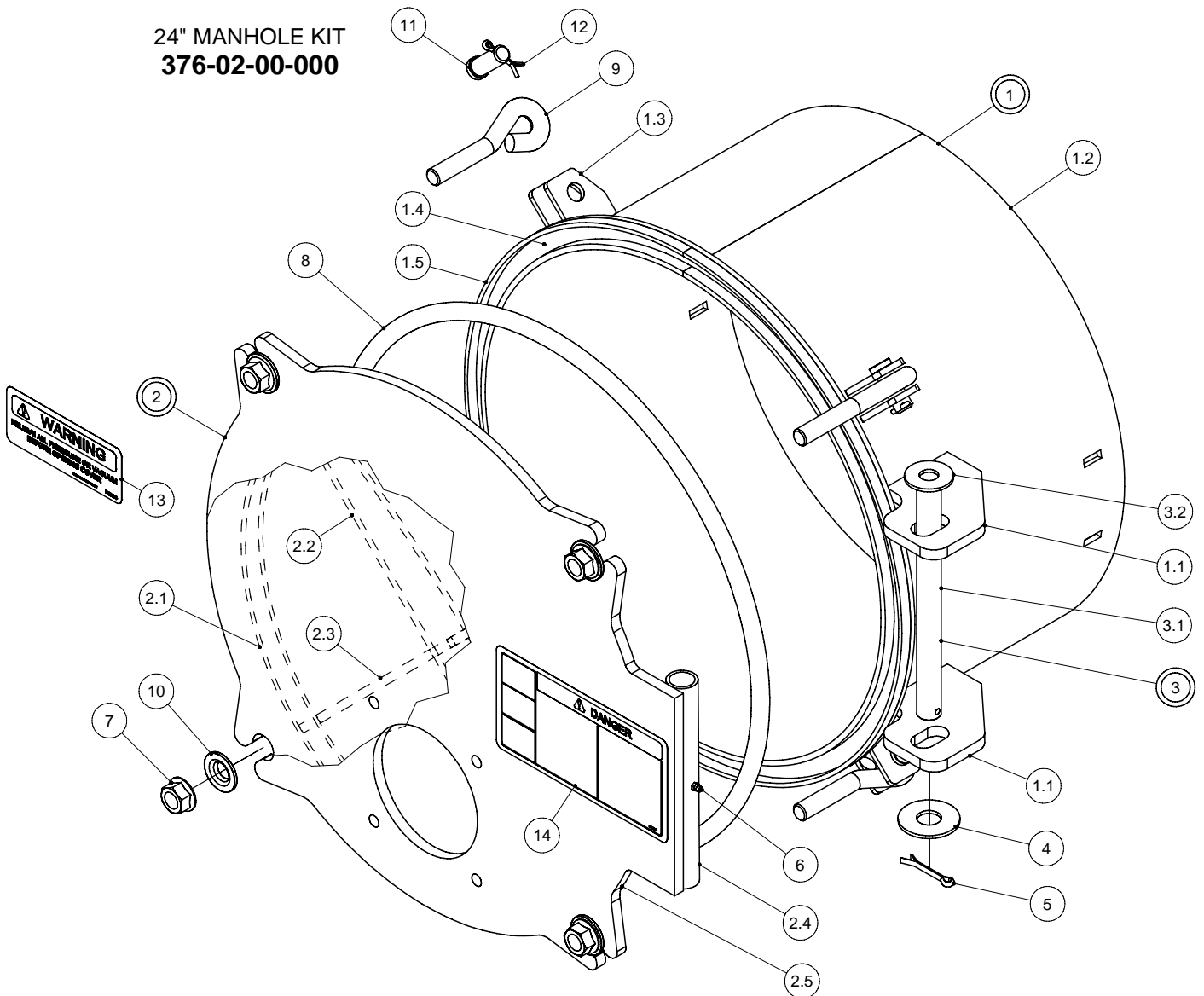
TM FILL PORT



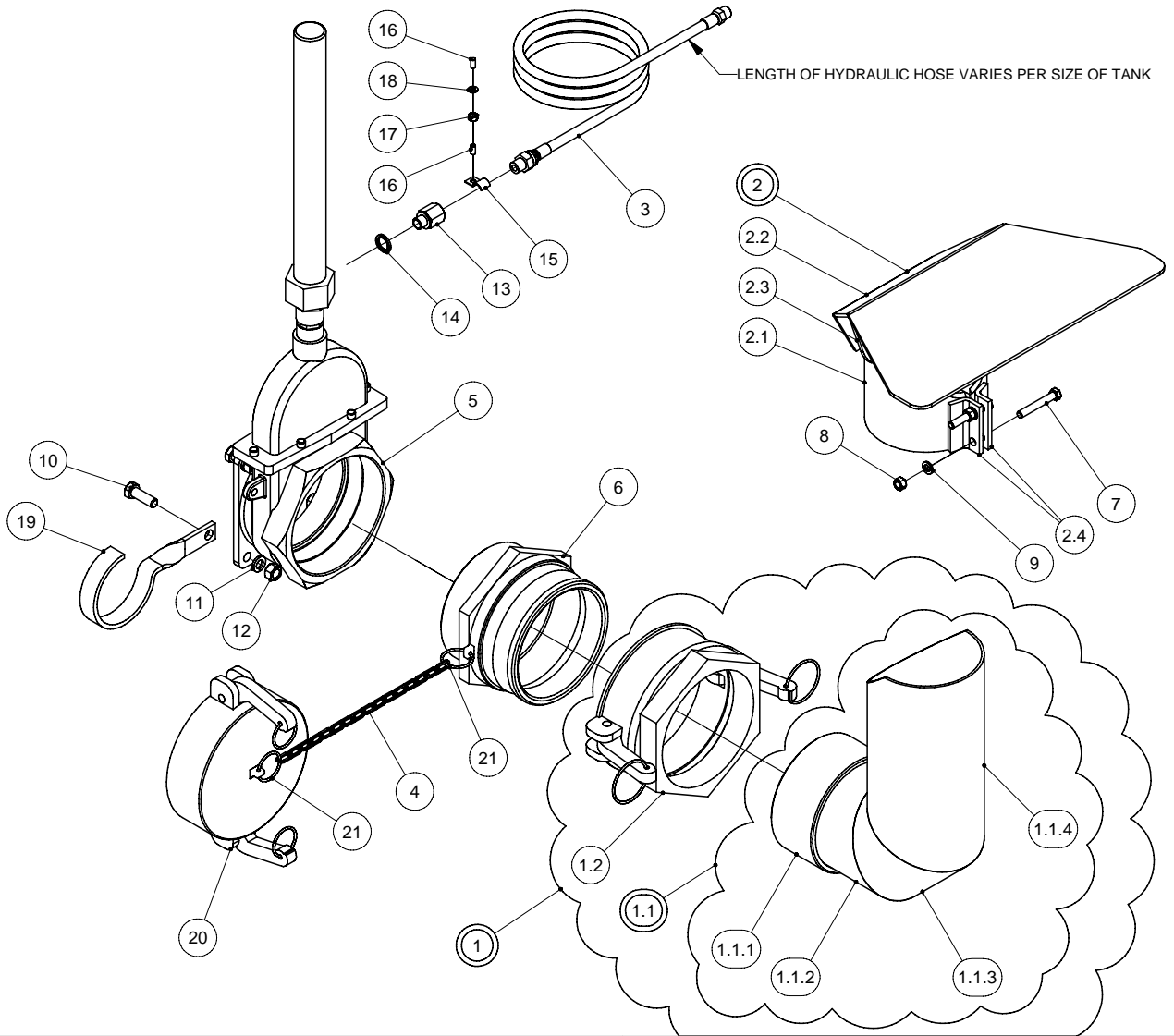
PARTS LIST			
ITEM	PART NUMBER	DESCRIPTION	QTY
1	368-87-00-000	MANUAL VALVE HANDLE ASSY	1
1.1	368-87-00-358	MANUAL VALVE HANDLE - UPPER PC	1
1.2	368-87-00-359	MANUAL VALVE HANDLE - LOWER PC	1
2	372-09-00-000	15FT SUCTION HOSE KIT w/ CAMLOCK	1
2.1	R02482	6" HOSE CLAMP	2
2.2	368-12-00-000	SUCTION HOSE PIPE ASSY	1
2.2.1	368-12-00-063	SUCTION HOSE PIPE	1
2.2.2	368-12-00-064	SUCTION HOSE LOWER PIPE	1
2.2.3	368-12-00-065	REINFORCING BARS	2
2.3	R02800	6" CAMLOCK C	1
2.4	368-00-00-066	SUCTION HOSE	1
3	R10209	6" MANUAL BRASS VALVE	1
4	368-00-00-094	6" VALVE PIVOT HANDLE	1
5	R07620	3/8 x 1 1/2 UNC HEX BOLT	3
6	R07886	3/8-16 UNC 2-WAY LOCK NUT	3
7	R02803	6" MALE CAMLOCK	1
8	R10374	6" FLANGE "O" RING	1
9	372-00-00-044	HOOK FOR CAMLOC	1

24" MANHOLE KIT

PARTS LIST				PARTS LIST			
ITEM	PART NUMBER	DESCRIPTION	QTY	ITEM	PART NUMBER	DESCRIPTION	QTY
1	376-02-02-000	FLAT VACUUM HATCH MANHOLE ASSY	1	3.1	376-02-04-508	LID PIN	1
1.1	376-02-02-505	MANHOLE HINGE	2	3.2	R07827	3/4" FLAT WASHER	1
1.2	368-64-61-303	24" MANHOLE	1	4	R07828	1" FLAT WASHER	1
1.3	376-02-02-573	MANHOLE LUG	8	5	R08016	1/4 x 2 COTTER PIN	1
1.4	376-02-02-574	MANHOLE RING	1	6	R08183	1/4" - 28 STRAIGHT GREASE FITTING	1
1.5	376-02-02-575	OUTER RUBBER STOP	1	7	R08433	3/4-10 UNC FLANGE NUT	4
2	376-02-01-000	FLAT VACUUM HATCH LID ASSY	1	8	376-02-00-576	ROUND RUBBER SEAL	1
2.1	376-02-01-501	INNER RING	1	9	R08442	3/4" EYE BOLT	4
2.2	376-02-01-503	BOTTOM SUPPORT PLATE	1	10	376-02-00-577	MANWAY WASHER	4
2.3	376-02-01-502	TOP SUPPORT PLATE	1	11	R08443	EYE BOLT PIN	4
2.4	376-02-01-504	HATCH PIN SLEEVE	1	12	R08011	3/16 x 1 1/2 COTTER PIN	4
2.5	376-02-01-578	FLAT VACUUM HATCH LID	1	13	R09668	"RELIEVE ALL PRESSURE" DECAL	1
3	376-02-04-000	LID PIN ASSY	1	14	R10334	TOXIC GAS PICTORAL DECAL	1



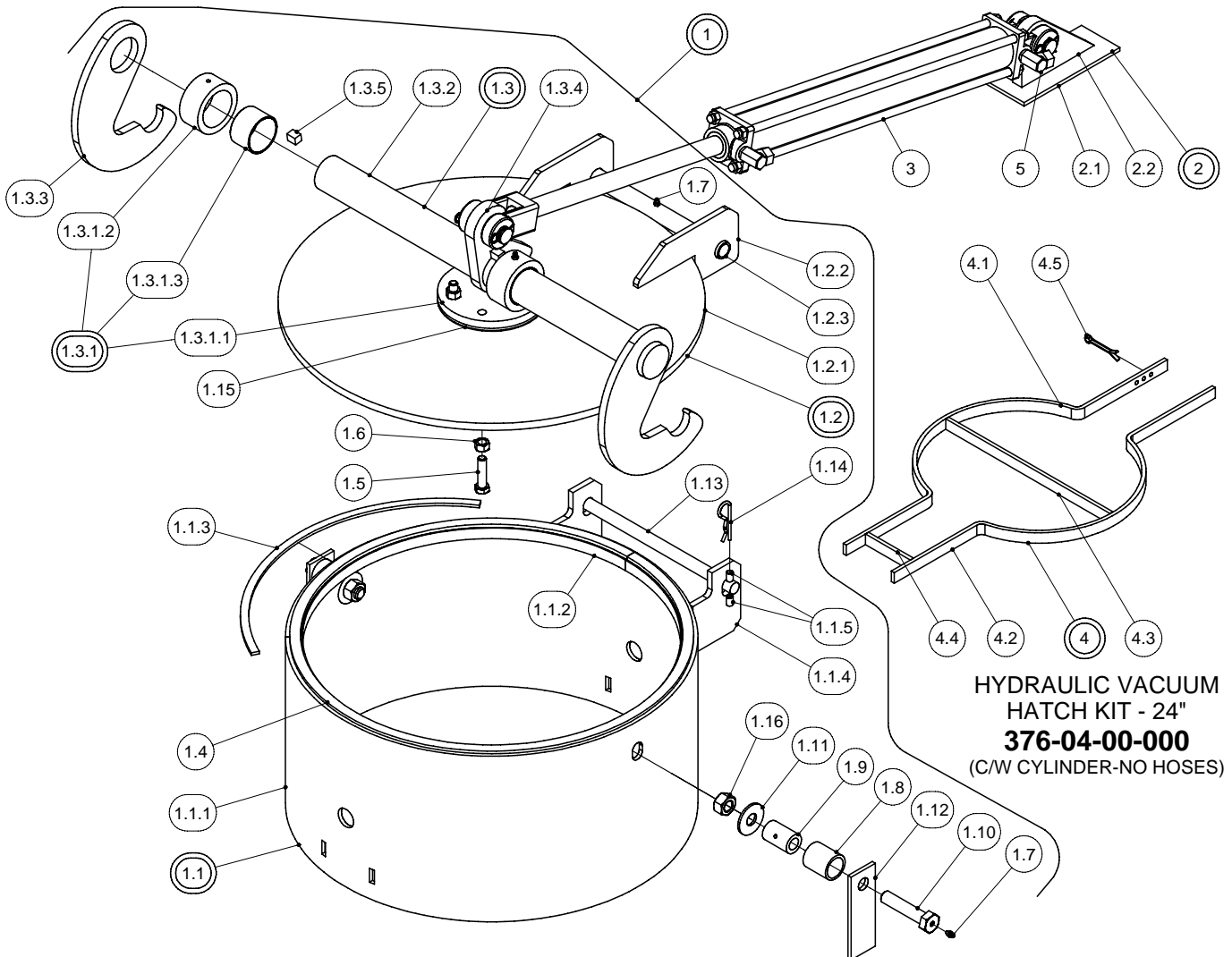
TM REAR DISCHARGE



PARTS LIST				PARTS LIST			
ITEM	PART NUMBER	DESCRIPTION	QTY	ITEM	PART NUMBER	DESCRIPTION	QTY
1	372-08-00-000	COUPLER AND ELBOW KIT	1	7	R07622	3/8 x 2 1/2 UNC HEX BOLT	2
1.1	372-08-05-000	ELBOW ASSY FOR CAMLOCK	1	8	R07783	3/8-16 UNC HEX NUT	2
1.1.1	372-08-05-043	HALF NIPPLE	1	9	R07803	3/8" LOCK WASHER	2
1.1.2	368-60-49-357	ELBOW BASE PC	1	10	R07638	1/2 x 1 1/2 UNC HEX BOLT	4
1.1.3	364-19-00-082	DISCHARGE PIPE CORNER PC	1	11	R07805	1/2" LOCK WASHER	4
1.1.4	364-25-00-067	DISCHARGE PIPE END PC	1	12	R07785	1/2-13 UNC HEX NUT	4
1.2	R02801	6" CAMLOCK PART "D" COUPLER	1	13	R22145	M18-1.5F x 3/8 NPT ADAPTER	1
2	364-68-00-000	SPLASH PLATE ASSY	1	14	R10405	GAS/HYD SEAL WASHER	1
2.1	364-68-00-215	CLAMPING TUBE	1	15	R21104	HYD. HOSE CLIPS	4
2.2	364-21-00-069	SPLASH PLATE	1	16	R08301	1/4 x 20 UNC x 1/2" WELD STUD	4
2.3	364-21-00-224	SPLASH PLATE WING	2	17	R07781	1/4-20 UNC HEX NUT	4
2.4	364-21-00-071	CLAMPING TUBE BRKT	2	18	R07801	1/4" LOCK WASHER	4
3	369-84-00-000	HYDRAULIC HOSE ASSY - 14000L	1	19	372-00-00-044	HOOK FOR CAMLOC	1
4	R08099	1/8 GR. 30 COIL CHAIN	1	20	R02804	6" FEMALE CAMLOCK CAP	1
5	R10218	6" BRASS VALVE - HYD/GAS CYL	1	21	R08200	1 1/2" DIA SPLIT RING	2
6	R02803	6" MALE CAMLOCK	1				

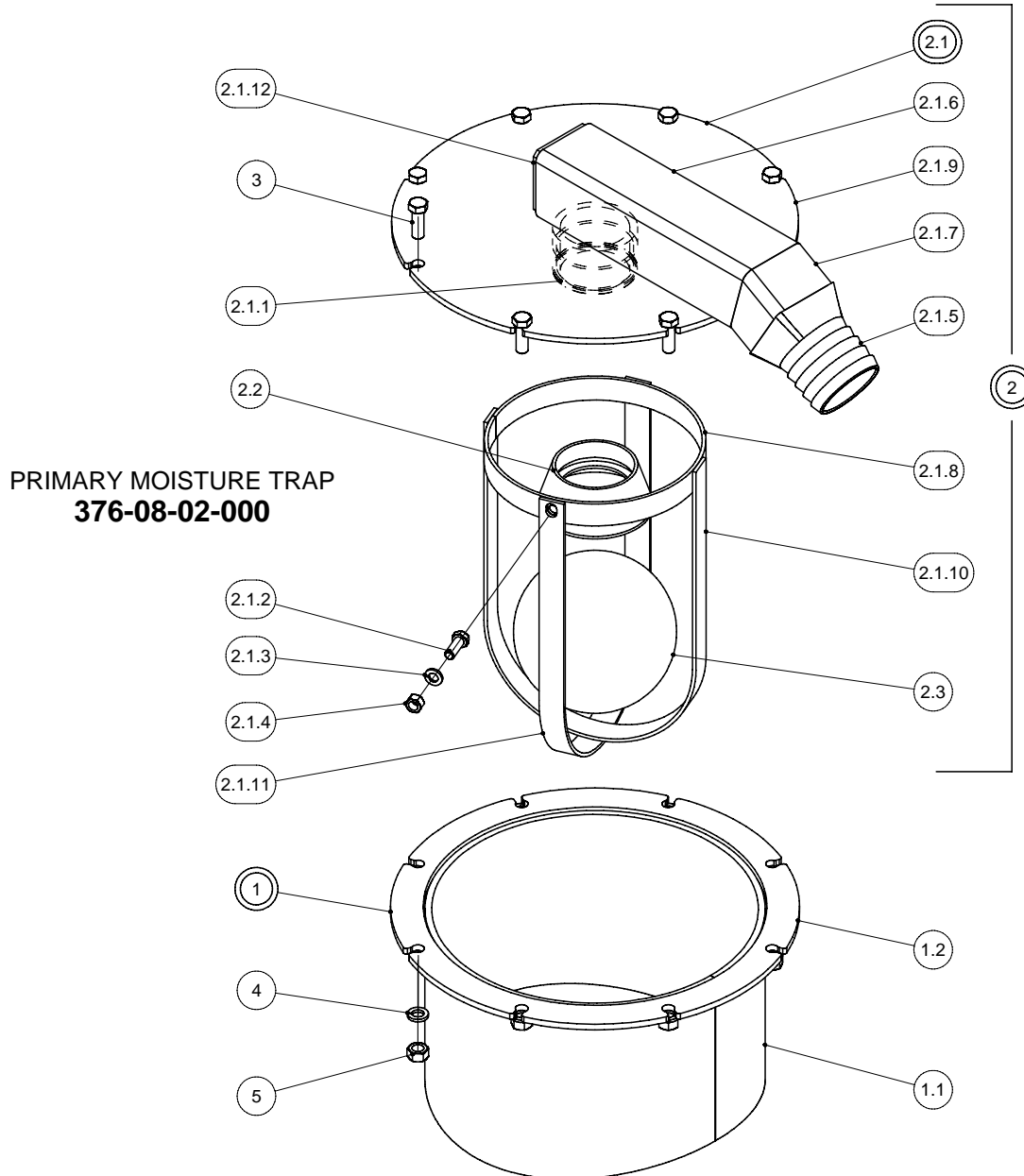
HYDRAULIC VACUUM HATCH KIT

PARTS LIST				PARTS LIST			
ITEM	PART NUMBER	DESCRIPTION	QTY	ITEM	PART NUMBER	DESCRIPTION	QTY
1	376-04-01-000	HYDRAULIC VACUUM HATCH LESS HYD.	1	1.6	R07785	1/2-13 UNC HEX NUT	4
1.1	376-04-02-000	MANHOLE ASSY	1	1.7	R08183	1/4" - 28 STRAIGHT GREASE FITTING	5
1.1.1	376-04-02-536	MANHOLE	1	1.8	368-54-00-293	ROLLER SLEEVE	2
1.1.2	376-04-02-537	ANGLE RING	1	1.9	368-54-00-292	LOCKING SHAFT	2
1.1.3	376-04-02-532	O RING SPACER	3	1.10	368-54-00-291	LOCKING BOLT	2
1.1.4	368-54-54-283	HINGE BRKT	2	1.11	R07827	3/4" FLAT WASHER	2
1.1.5	368-54-54-284	HINGE BRKT SLEEVE	2	1.12	368-54-00-294	LOCKING BOLT SUPPORT	2
1.2	376-04-03-000	VACUUM LID ASSY	1	1.13	368-54-00-281	HINGE PIN	1
1.2.1	376-04-03-533	LID	1	1.14	R07948	5/32 HAIR PIN	1
1.2.2	368-54-52-276	HINGE	2	1.15	368-54-00-296	SHIM	1
1.2.3	368-54-52-278	LID SLEEVE	1	1.16	R07787	3/4 - 10 UNC HEX NUT	2
1.3	376-04-04-000	CROSS SHAFT & DOG ASSY	1	2	368-54-02-000	CYLINDER BRKT ASSY	1
1.3.1	368-54-63-000	VACUUM LID BUSHING HOLDER ASSY	1	2.1	368-54-02-425	CYLINDER BRKT BASE PLATE	1
1.3.1.1	368-54-63-310	BUSHING HOLDER PLATE	1	2.2	368-54-00-295	CYLINDER BRKT	1
1.3.1.2	368-54-53-280	BUSHING HOLDER	2	3	R20732	2 x 20 HYDRAULIC CYLINDER	1
1.3.1.3	R21176	2 3/16 ID x 2 3/8 OD x 1 1/2 BUSHING	2	4	357-63-00-000	SAFETY BAR ASSY	1
1.3.2	376-04-04-534	CROSS SHAFT	1	4.1	357-63-00-320	SAFETY BAR	1
1.3.3	368-54-62-308	LOCKING DOG	2	4.2	357-63-00-332	SAFETY BAR	1
1.3.4	368-54-00-286	PIVOT BRKT	1	4.3	357-63-00-321	CROSS SAFETY BAR	1
1.3.5	368-54-62-329	STOP	2	4.4	357-63-00-322	STOP BAR	1
1.4	376-04-01-535	MANHOLE HATCH SEAL	1	4.5	R08016	1/4 x 2 COTTER PIN	1
1.5	R07639	1/2 x 2 UNC HEX BOLT	4	5	R21366	3/8" x 90° NPT STREET ELBOW	2



PRIMARY MOISTURE TRAP COMPLETE

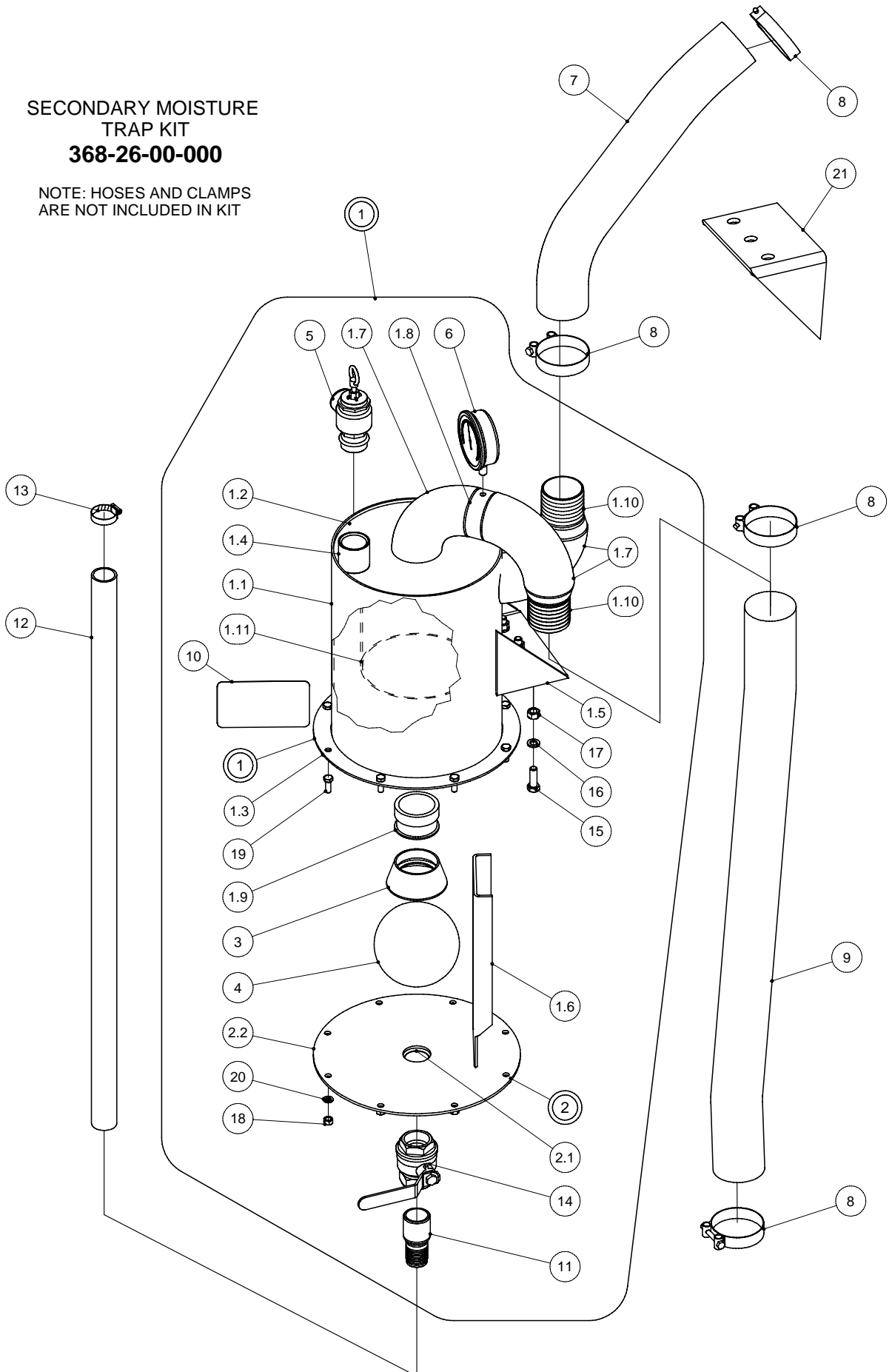
PARTS LIST				PARTS LIST			
ITEM	PART NUMBER	DESCRIPTION	QTY	ITEM	PART NUMBER	DESCRIPTION	QTY
1	376-08-03-000	CAN ASSY	1	2.1.7	376-08-02-648	SHORT INLET TUBE	1
1.1	376-08-03-653	PRIMARY CAN	1	2.1.8	376-08-02-649	INNER SS RING	1
1.2	368-91-01-379	CAN FLANGE	1	2.1.9	376-08-02-650	PRIMARY LID	1
2	376-08-01-000	PRIMARY TRAP CAGE/BALL & RUBBER ASSY	1	2.1.10	376-08-02-651	INNER SS HOOP	1
				2.1.11	376-08-02-652	OUTER SS HOOP	1
2.1	376-08-02-000	PRIMARY TRAP CAGE ASSY	1	2.1.12	376-08-02-654	PRIMARY CAP	1
2.1.1	368-25-20-110	SEAT HOLDER	1	2.2	R09857	RUBBER VALVE SEAT	1
2.1.2	R07619	3/8 x 1 UNC HEX BOLT	1	2.3	R09856	6" STAINLESS STEEL BALL	1
2.1.3	R07803	3/8" LOCK WASHER	1	3	R07671	7/16 x 1 1/4 UNC HEX BOLT	8
2.1.4	R07783	3/8-16 UNC HEX NUT	1	4	R07804	7/16" LOCK WASHER	8
2.1.5	308-62-01-199	BARBED CONNECTOR w/ sq END	1	5	R07784	7/16-14 UNC HEX NUT	8
2.1.6	376-08-02-647	INLET TUBE	1				



TM SECONDARY MOISTURE TRAP COMPLETE

SECONDARY MOISTURE TRAP KIT 368-26-00-000

NOTE: HOSES AND CLAMPS
ARE NOT INCLUDED IN KIT

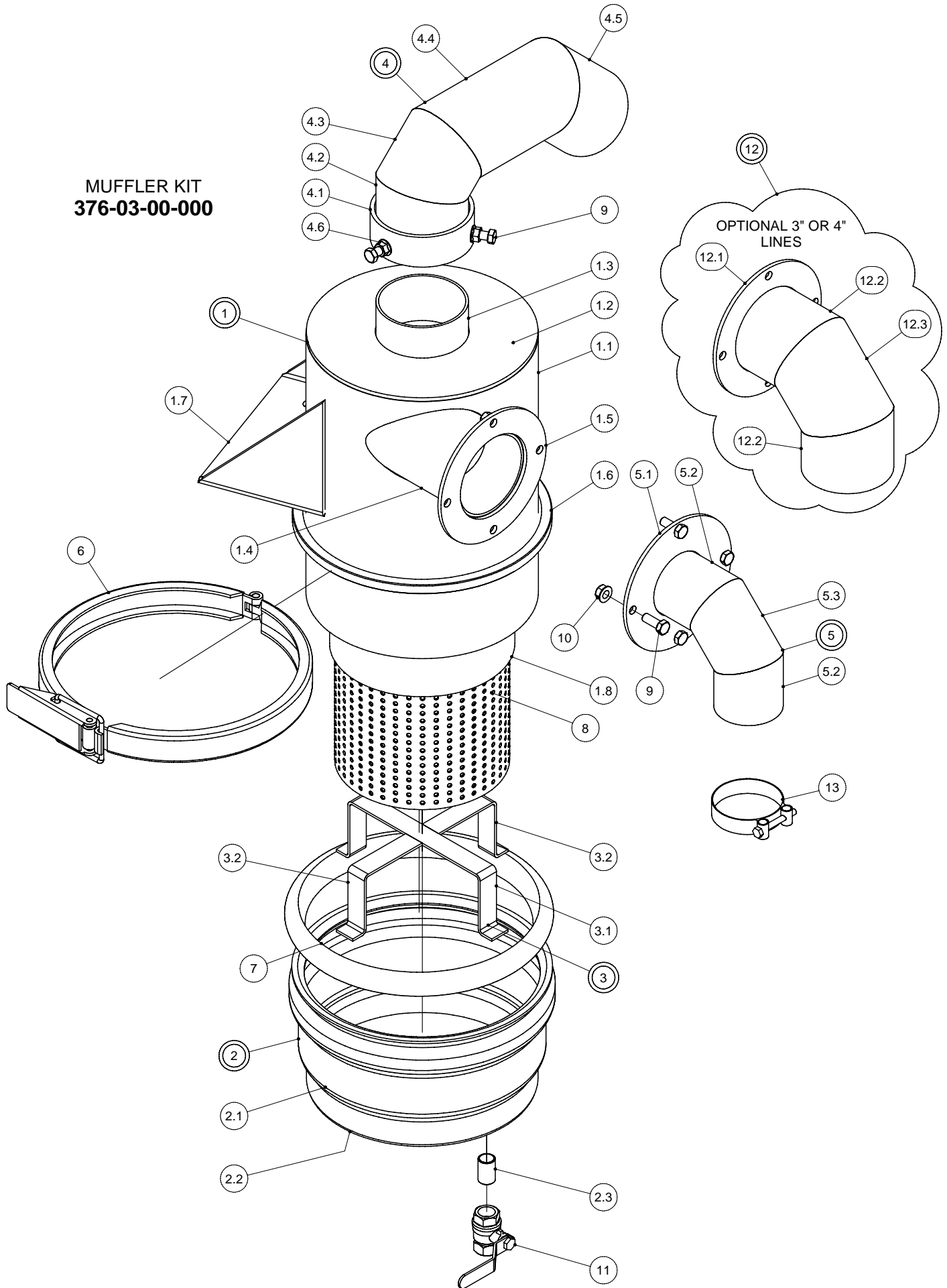


TM SECONDARY MOISTURE TRAP COMPLETE

PARTS LIST			
ITEM	PART NUMBER	DESCRIPTION	QTY
1	368-26-22-000	SECONDARY MOISTURE TRAP ASSY	1
1.1	368-26-22-119	SECONDARY TRAP TUBE	1
1.2	368-26-22-120	SECONDARY TRAP LID	1
1.3	368-26-22-121	FLANGE	1
1.4	R02063	1 1/2" COUPLING	1
1.5	368-26-22-128	MOISTURE TRAP BRKT	1
1.6	368-26-22-273	SECONDARY TRAP BAFFLE	1
1.7	R02448	3" WELD ELBOW	3
1.8	368-26-22-123	ELBOW EXTENSION TUBE	1
1.9	368-25-20-110	SEAT HOLDER	1
1.10	368-25-20-114	HALF BARBED CONNECTOR	2
1.11	368-26-22-122	SECONDARY INNER TUBE	1
2	368-26-01-000	COVER PLATE ASSY	1
2.1	R02127	1 1/2 CLOSE NIPPLE	1
2.2	368-26-01-444	COVER PLATE	1
3	R09857	RUBBER VALVE SEAT	1
4	R09856	STAINLESS STEEL BALL	1
5	R09910	PRESSURE RELIEF VALVE	1
6	R09833	PRESSURE VACUUM GAUGE	1
7	368-00-00-068	3" PRESSURE VACUUM HOSE - SHORT	1
8	R02480	3" BAUER SUPER CLAMP	4
9	368-00-00-067	3" PRESSURE VACUUM HOSE LONG 12 & 14000L	1
	367-00-00-151	3" PRESSURE VACUUM HOSE LONG 9000L	1
	366-00-00-150	3" PRESSURE VACUUM HOSE LONG 7000L	1
	365-00-00-206	3" PRESSURE VACUUM HOSE LONG 5800L	1
10	R09733	VAC. PUMP INSTRUCTIONS DECAL	1
11	R02453	1 1/2" COMBINATION NIPPLE	1
12	368-00-00-070	DRAIN HOSE - 7000L & UP	1
	365-00-00-207	DRAIN HOSE - 5800L	1
13	R02232	1 1/2" GEAR CLAMP	1
14	R02455	1 1/2 NPT Ball Valve	1
15	R07638	1/2 x 1 1/2 UNC HEX BOLT	3
16	R07805	1/2" LOCK WASHER	3
17	R07785	1/2-13 UNC HEX NUT	3
18	R07783	3/8-16 UNC HEX NUT	8
19	R07619	3/8 x 1 UNC HEX BOLT	8
20	R07803	3/8" LOCK WASHER	8
21	368-01-00-007	MOISTURE TRAP TANK BRKT	1

MUFFLER KIT

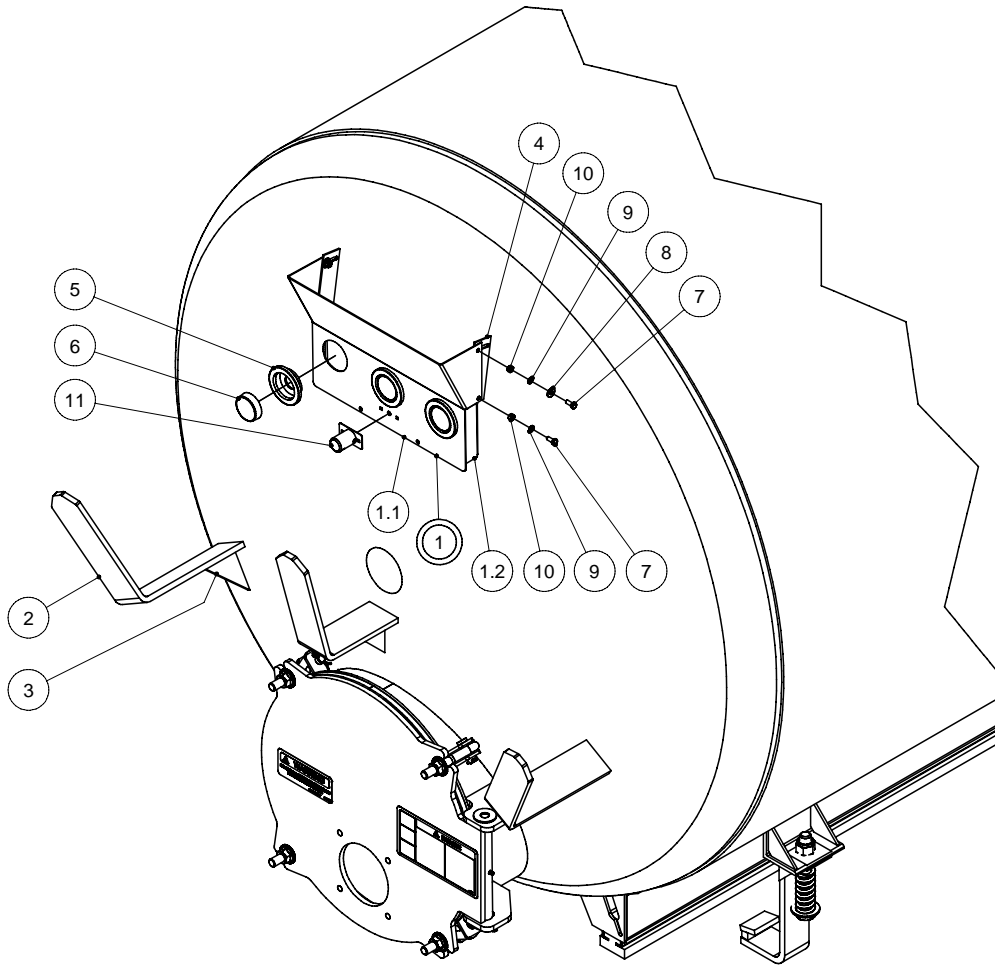
MUFFLER KIT
376-03-00-000



MUFFLER KIT

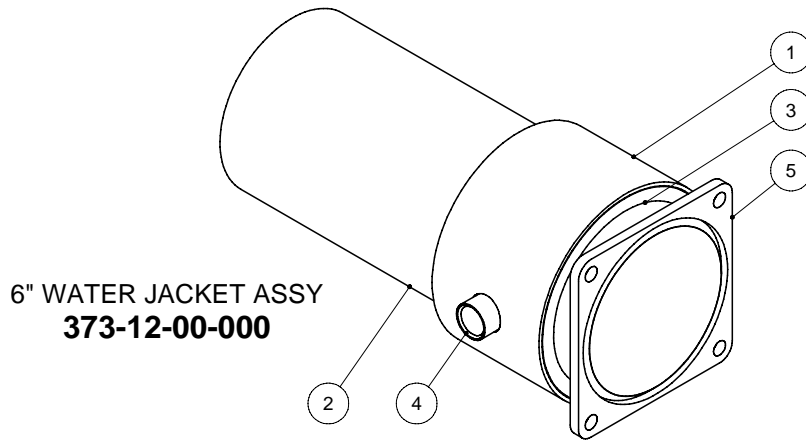
PARTS LIST			
ITEM	PART NUMBER	DESCRIPTION	QTY
1	376-03-01-000	UPPER CAN ASSY	1
1.1	368-59-01-456	UPPER CAN	1
1.2	368-59-01-457	UPPER CAN TOP	1
1.3	368-59-01-455	ELBOW EXTENSION TUBE	1
1.4	368-59-47-263	4" SIDE INLET	1
1.5	368-59-47-440	4" MUFFLER FLANGE	1
1.6	286-00-00-059	RING FOR STEEL ELBOW	1
1.7	368-59-01-492	MUFFLER BRKT	1
1.8	376-03-01-510	INNER MESH TUBE	1
2	368-59-03-000	BOTTOM CAN ASSY	1
2.1	R02499	10" FEMALE CIRCLOCK COUPLING	1
2.2	368-59-03-454	BOTTOM CAP	1
2.3	R02123	1/2" CLOSE NIPPLE	1
3	376-03-02-000	STAND ASSY	1
3.1	376-03-02-511	SINGLE STAND	1
3.2	376-03-02-512	HALF STAND	2
4	368-59-06-000	PIPE ASSY	1
4.1	368-59-06-469	LOCK COLLAR	1
4.2	368-59-06-458	PIPE PC #1	1
4.3	368-59-06-459	PIPE PC #2	1
4.4	368-59-06-460	PIPE PC #3	1
4.5	368-59-06-461	PIPE PC #4	1
4.6	R07794	3/8-16 UNC FLANGE NUT	3
5	368-59-04-000	3" EXTENSION TUBE ASSY	1
5.1	368-59-04-462	3" MUFFLER FLANGE	1
5.2	368-59-04-463	3" EXTENSION TUBE	2
5.3	368-59-04-493	EXTENSION TUBE MID PC	1
6	R02500	10" BANDLOC CLAMP	1
7	R02852	10" CL GASKET	1
8	R00617	S.S.KNITTED WIRE MESH	1
9	R07619	3/8 x 1 UNC HEX BOLT	7
10	R07794	3/8-16 UNC FLANGE NUT	4
11	R02473	1/2 NPT Ball Valve	1
12	368-59-05-000	4" EXTENSION TUBE ASSY	1
12.1	368-59-47-440	4" MUFFLER FLANGE	1
12.2	368-59-05-464	4" EXTENSION TUBE	2
12.3	368-59-05-494	4" ELBOW MIDDLE PC	1
13	R02480	3" BAUER SUPER CLAMP	2

TM OPTIONS

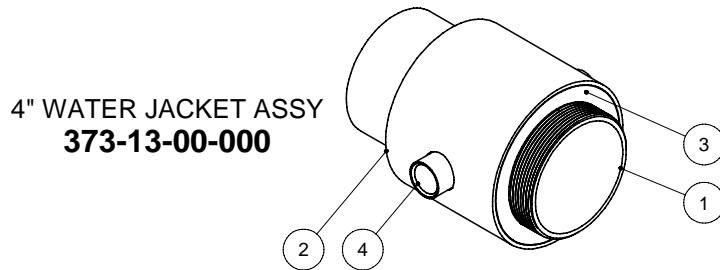


PARTS LIST			
ITEM	PART NUMBER	DESCRIPTION	QTY
1	372-16-00-000	CLEARANCE LIGHT BOX ASSY	1
1.1	372-00-00-045	STICKER PLATE	1
1.2	372-16-00-065	CLEARANCE LIGHT COVER	1
2	372-00-00-041	HOSE RACK	3
3	372-00-00-050	HOSE RACK GUSSET	3
4	372-00-00-046	STICKER PLATE BRKT	2
5	R10355	Ø2 1/2" RUBBER MOUNT	3
6	R10353	Ø2 1/2" RED CLEARANCE LIGHT	3
7	R07676	5/16 x 3/4 UNC HEX BOLT	4
8	R07822	5/16" FLAT WASHER	2
9	R07802	5/16" LOCK WASHER	4
10	R07782	5/16-18 UNC HEX NUT	4
11	R10093	LICENSE LAMP	1

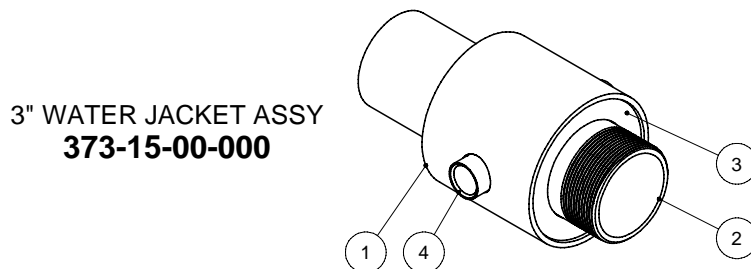
TM WATER JACKETS



PARTS LIST			
ITEM	PART NUMBER	DESCRIPTION	QTY
1	373-12-00-054	OUTER SLEEVE	1
2	373-12-00-055	6" EXTENSION PIPE	1
3	373-12-00-056	FILLER RING	2
4	373-12-00-060	3/4" HALF PIPE COUPLING	2
5	373-12-00-061	FLANGE	1



PARTS LIST			
ITEM	PART NUMBER	DESCRIPTION	QTY
1	373-13-00-057	4" EXTENSION PIPE	1
2	373-13-00-058	OUTER SLEEVE	1
3	373-13-00-059	FILLER RING	2
4	373-12-00-060	3/4" HALF PIPE COUPLING	2



PARTS LIST			
ITEM	PART NUMBER	DESCRIPTION	QTY
1	373-15-00-063	OUTER SLEEVE	1
2	373-15-00-062	3" EXTENSION PIPE	1
3	373-15-00-064	FILLER RING	2
4	373-12-00-060	3/4" HALF PIPE COUPLING	2

HUSKY FARM EQUIPMENT LIMITED

ALMA, ON

NOB 1A0

PHONE: (519) 846-5329

FAX: (519) 846-9378

FIVE YEAR AXLE WARRANTY

Husky Farm Equipment Limited will guarantee for five (5) years from date of invoice, all Manure Spreader undercarriages and axle assemblies, if used on a farm for farm purposes.

Husky will replace free of charge:

1. Any part of the axle which should break or collapse through normal use.
2. Any spindles or hubs which should break through normal use.
3. Any wheel and rim assemblies which should fail through normal use.

Exempt from extended warranty are:

1. Any part of the axle which should break or collapse through overload. Overload includes: Any attachments (ie. injectors) and any product being transported in Spreader weighing more than 10 lb/gallon. (ie. manure mixed with sand).
2. Bearings and tires which are covered under normal warranty and do require maintenance to avoid failure.
3. Wheel or rim damage resulting from owner failing to keep wheel bolts tight.
4. Spindles damaged through bearing failure.
5. Any axle that is custom built.
6. Any axle used in commercial custom hauling applications.

To qualify for extended warranty, damaged parts must be returned to Husky Farm Equipment Limited, prepaid shipping, along with serial number and copy of the original invoice.

All parts supplied by Husky on warranty, will be shipped freight collect. Extended warranty covers damaged parts only and does not cause liability on Husky for any damage resulting from such failure.

TEN YEAR WARRANTY AGAINST RUSTOUT

Husky Farm Equipment provides a ten (10) year warranty from date of invoice, against premature perforation (rust out) of any liquid manure spreader manufactured. Providing the manure spreader is used for manure or sludge and not for chemical products.

Extended warranty is pro rated and will be paid only through the crediting off of the then current list price of a replacement manure spreader of the portion of warranty not used up in time.

Warranty will be effective toward replacing spreader only and no cash payment will be made. It will be understood that the original equipment to be replaced will then become property of Husky Farm Equipment Limited.

This extended warranty will be effective through Husky Farm Equipment factory or factory outlet only. A copy of the original invoice is to be supplied along with the serial number. This warranty will not be effective for commercial custom haulers or to owners other than the original.

Transportation to and from the factory is to be paid for by the owner of the equipment and not by Husky Farm Equipment Limited.