

Office Copy

01/02/2006 -24 m  
Oct 20/06 - 5

Date Purchased \_\_\_\_\_ Machine Serial No. \_\_\_\_\_

Size of Spreader \_\_\_\_\_ Options \_\_\_\_\_

The key number system in this parts book is arranged as follows:

- ⊙ - Key numbers with two circles denotes main assemblies.
- - Key numbers with one circle are individual parts

Please order parts by number



## TRUCKMOUNT VACUUM TANK

7000L TM VACUUM – 370-00-00-000

9000L TM VACUUM – 371-00-00-000

12000L TM VACUUM – 372-00-00-000

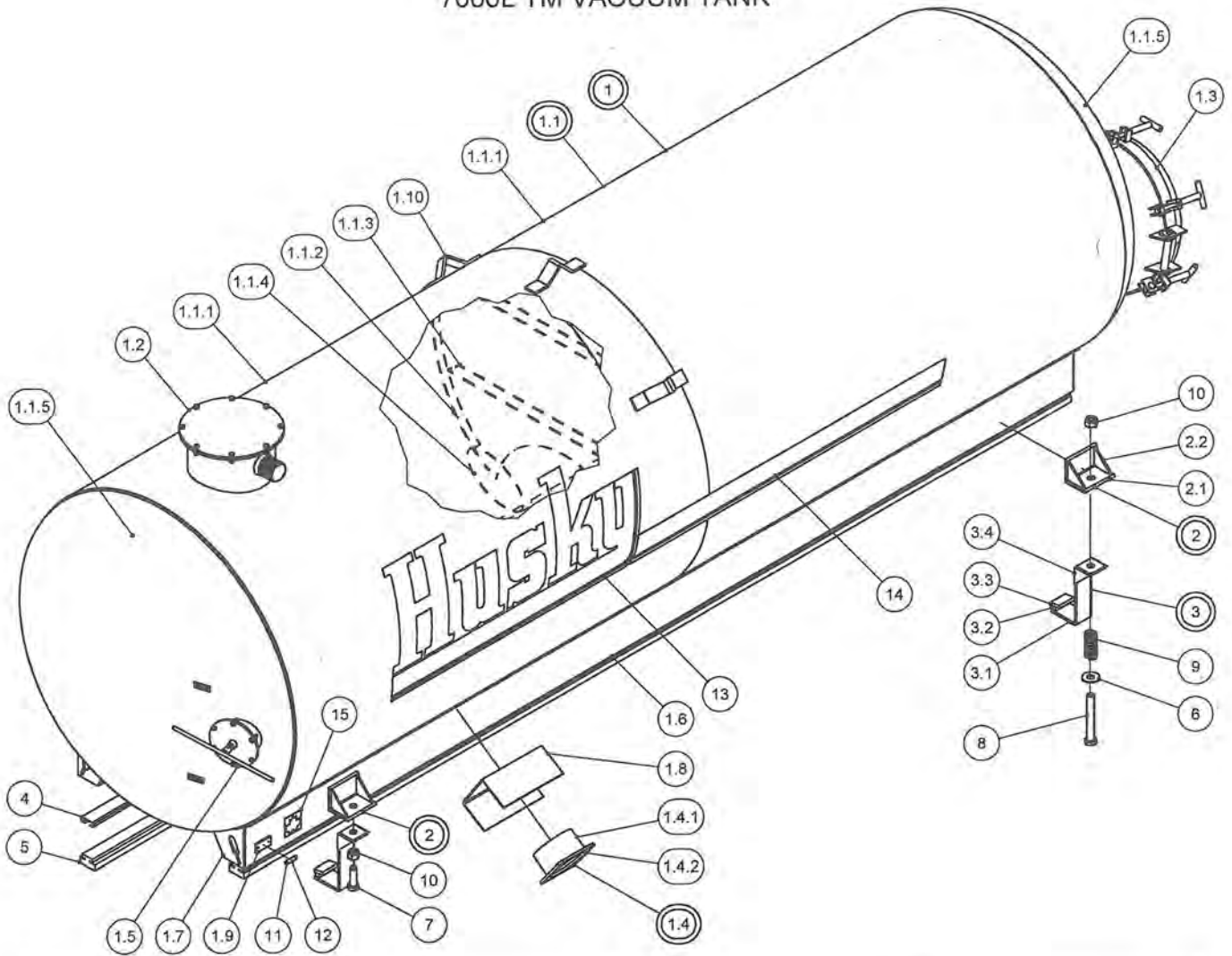
14000L TM VACUUM – 373-00-00-000

15000L TM VACUUM – 377-00-00-000

### OPERATING INSTRUCTIONS:

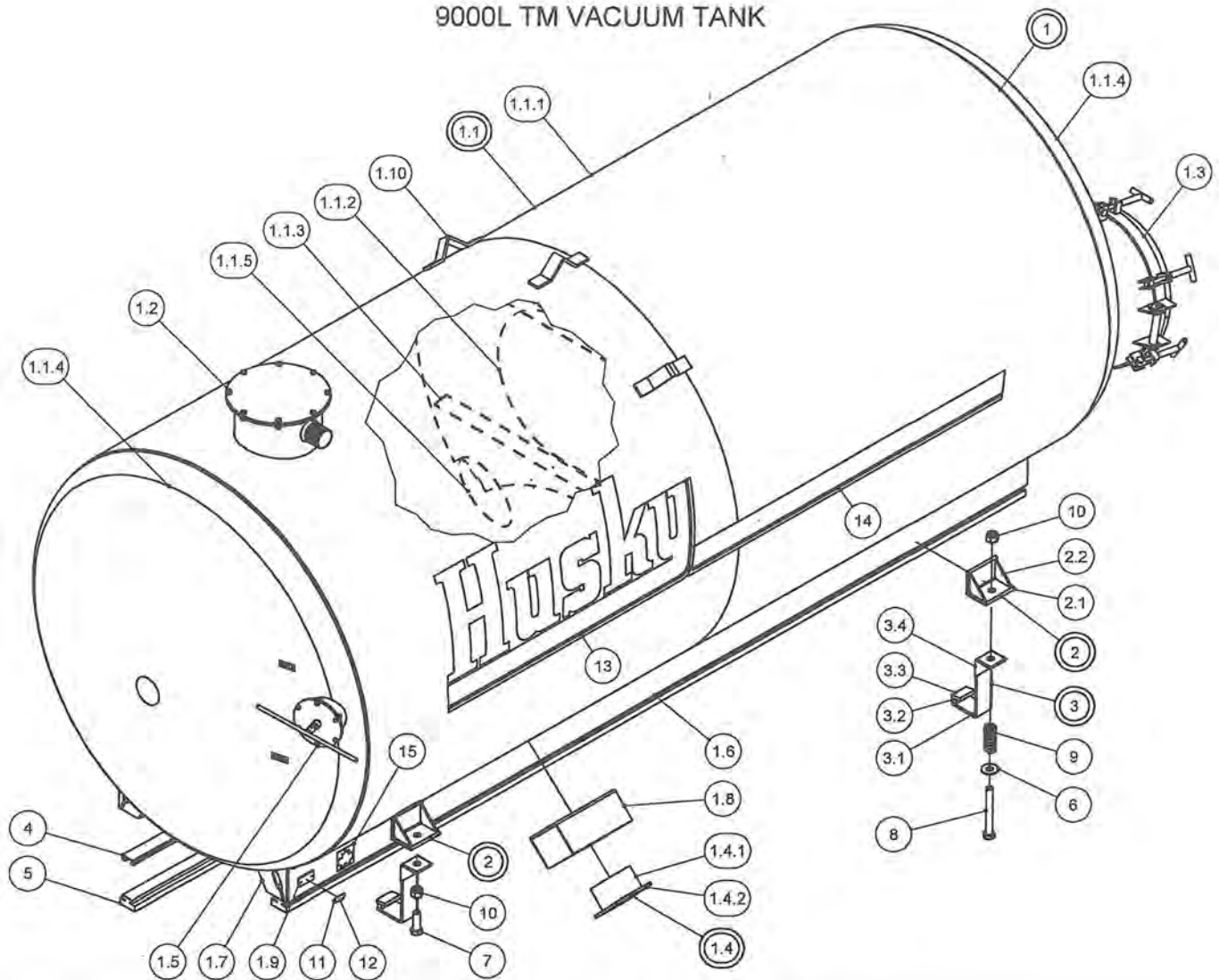
1. Do not operate machine until you fully understand the safe operating practices.
2. Make sure all moving parts are shielded to prevent coming in contact with clothing.
3. Vacuum pumps require lubricating oil at all times, make sure oil is in pump and drip oiler is set at approximately 30 drops per minute.
4. Never open manhole hatch while tank is pressurized, always depressurize before opening.
5. Your Vacuum tank is equipped with a pressure safety relief valve to protect against over pressurizing the tank. Never remove or tamper with relief valve or try to pressurize higher than valve setting.
6. Most vacuum pumps are designed for intermittent duty. Do not run pump on a continual basis without cooling options or pump will overheat.
7. **EXTREME DANGER** – Never enter a dirty manure spreader or storage tank – one breath of hydrogen sulphide gas is enough to kill. Have a ladder in your pit, so that if by accident you should fall in, you can get out.

# 7000L TM VACUUM TANK



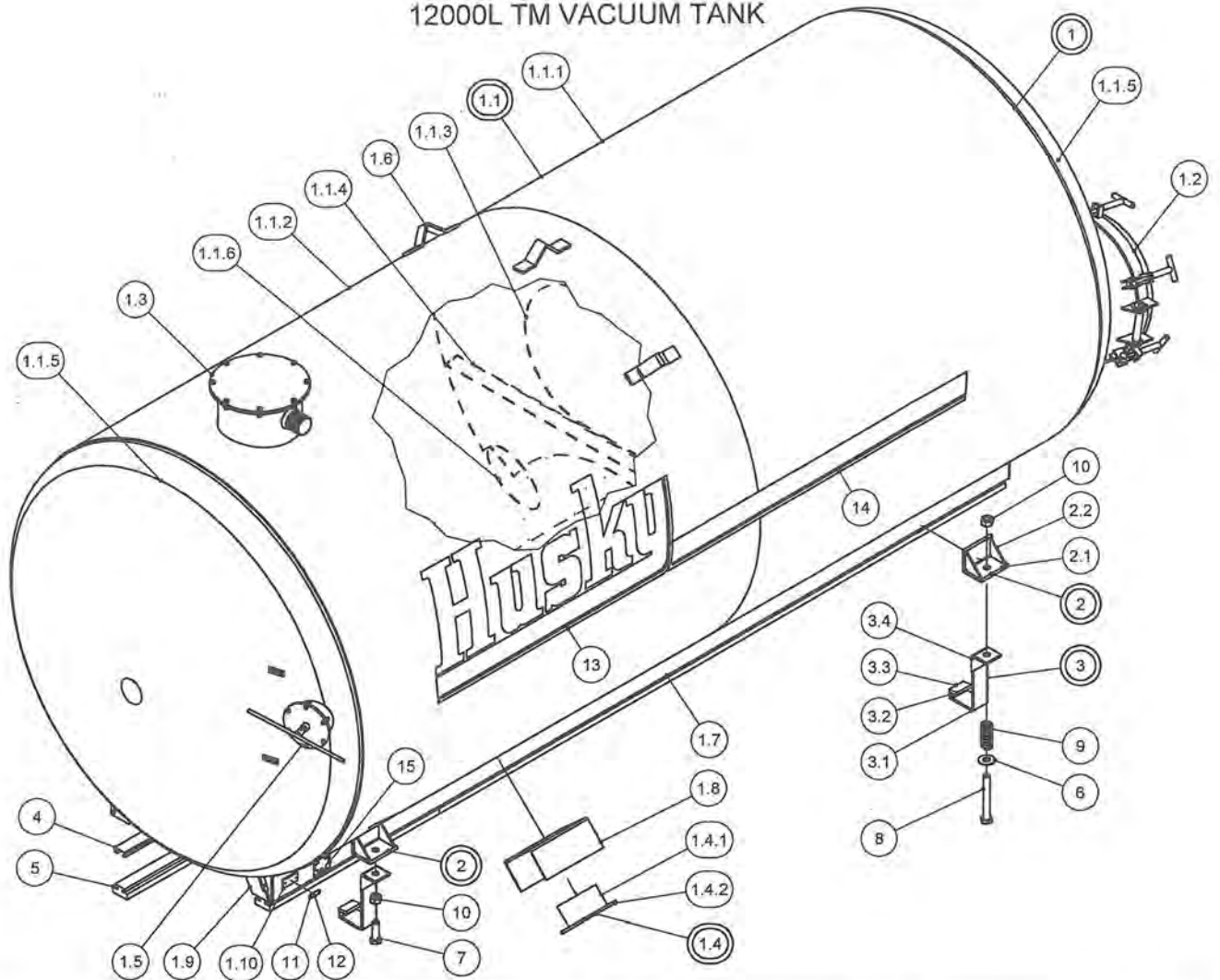
PARTS LIST				PARTS LIST			
ITEM	PART NUMBER	DESCRIPTION	QTY	ITEM	PART NUMBER	DESCRIPTION	QTY
1	370-04-00-000	7000L TANK & SILL ASSY	1	2.1	316-22-00-012	HOLD DOWN ANGLE BRKTS	1
1.1	366-21-13-000	7000L TANK ASSY	1	2.2	316-22-00-035	HOLD DOWN ANGLE GUSSET	2
1.1.1	366-21-13-084	7000L TANK SHELL	2	3	316-24-00-000	HOLD DOWN ASSY	4
1.1.2	365-40-30-530	5700L FLANGED TANK BAFFLE	1	3.1	316-24-00-044	BRKT MAIN PC	1
1.1.3	365-40-30-531	5700L BAFFLE REIN. BAR	2	3.2	316-24-00-045	SPACER BAR	1
1.1.4	340-01-01-559	OVAL REINFORCING PLATE	2	3.3	316-24-00-046	HOLD DOWN RETURN	1
1.1.5	R09844	54" ROUND TANK END	2	3.4	316-24-00-047	GUSSET	2
1.2	368-91-00-000	PRIMARY MOISTURE TRAP - 3"	1	4	R10482	RUBBER MOUNTING SILL CHANNEL	6
1.3	368-64-00-000	24" MANUAL VACUUM HATCH	1	5	R10483	RUBBER T-STRIP	4
1.4	368-01-72-000	6" VALVE FLANGE ASSY	1	6	R07828	1" FLAT WASHER	2
1.4.1	368-01-27-168	SIDE VALVE NIPPLE	1	7	R07663	1 x 3 UNC HEX BOLT	2
1.4.2	368-01-72-351	6" VALVE FLANGE	1	8	R07669	1 x 8 UNC HEX BOLT	2
1.5	330-20-00-000	SITE GAUGE KIT	1	9	R08034	HP 88 1 x 4 SPRING	2
1.6	370-04-00-008	7000L SILL	2	10	R08246	1 UNC NYLOCK NUT	4
1.7	370-04-00-009	SILL CAP	4	11	R08152	6 x 1/4 PAN HD SOCKET SCREW	2
1.8	368-01-00-234	DEFLECTOR PLATE	1	12	R09071	SERIAL NUMBER PLATE	1
1.9	340-01-00-498	SERIAL NO. BACK PLATE	1	13	R09510	"HUSKY" DECAL	2
1.10	300-01-00-012	TANK LIFT HOOK	3	14	R09511	ACCENT STRIP	2
2	316-22-00-000	HOLD DOWN BRKT ASSY	4	15	R09509	"MADE IN CANADA" DECAL - LARGE	1

# 9000L TM VACUUM TANK



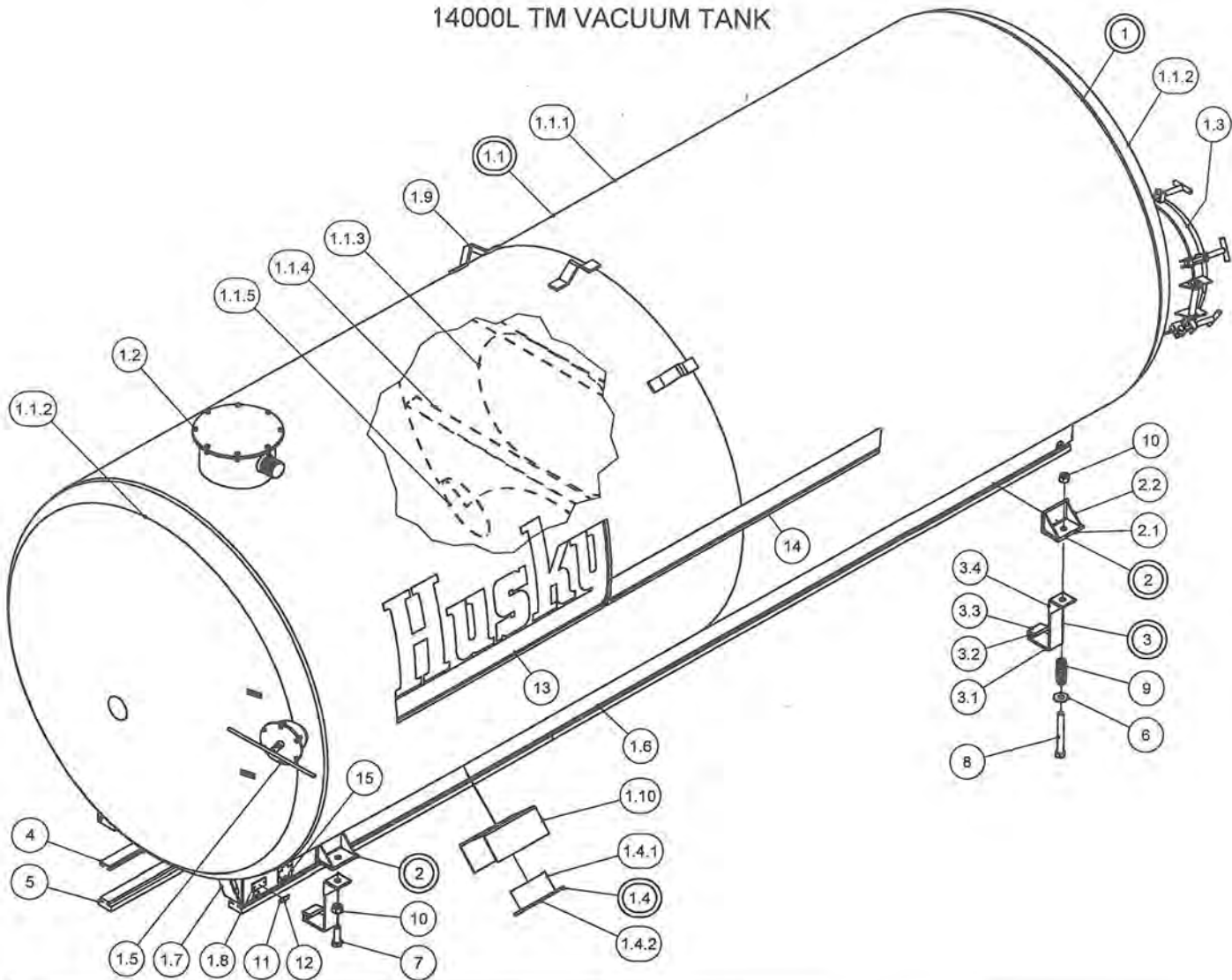
PARTS LIST				PARTS LIST			
ITEM	PART NUMBER	DESCRIPTION	QTY	ITEM	PART NUMBER	DESCRIPTION	QTY
1	371-03-00-000	9000L TANK & SILL ASSY	1	2.1	316-22-00-012	HOLD DOWN ANGLE BRKTS	1
1.1	367-18-10-000	9000L TANK ASSY	1	2.2	316-22-00-035	HOLD DOWN ANGLE GUSSET	2
1.1.1	367-18-10-073	9000L TANK SHELL	2	3	316-24-00-000	HOLD DOWN ASSY	4
1.1.2	367-18-10-074	9000L BAFFLE	1	3.1	316-24-00-044	BRKT MAIN PC	1
1.1.3	367-18-10-431	9000L BAFFLE REINFORCING BAR	2	3.2	316-24-00-045	SPACER BAR	1
1.1.4	R09843	66" DIA FL & DISHED HEAD	2	3.3	316-24-00-046	HOLD DOWN RETURN	1
1.1.5	340-01-01-559	OVAL REINFORCING PLATE	2	3.4	316-24-00-047	GUSSET	2
1.2	368-91-00-000	PRIMARY MOISTURE TRAP - 3"	1	4	R10482	RUBBER MOUNTING SILL CHANNEL	6
1.3	368-64-00-000	24" MANUAL VACUUM HATCH	1	5	R10483	RUBBER T-STRIP	4
1.4	368-01-72-000	6" VALVE FLANGE ASSY	1	6	R07828	1" FLAT WASHER	2
1.4.1	368-01-27-168	SIDE VALVE NIPPLE	1	7	R07663	1 x 3 UNC HEX BOLT	2
1.4.2	368-01-72-351	6" VALVE FLANGE	1	8	R07669	1 x 8 UNC HEX BOLT	2
1.5	330-20-00-000	SITE GAUGE KIT	1	9	R08034	HP 88 1 x 4 SPRING	2
1.6	371-03-00-005	9000L SILL	2	10	R08246	1 UNC NYLOCK NUT	4
1.7	371-03-00-006	SILL CAP	4	11	R08152	6 x 1/4 PAN HD SOCKET SCREW	2
1.8	368-01-00-234	DEFLECTOR PLATE	1	12	R09071	SERIAL NUMBER PLATE	1
1.9	340-01-00-498	SERIAL NO. BACK PLATE	1	13	R09510	"HUSKY" DECAL	2
1.10	300-01-00-012	TANK LIFT HOOK	3	14	R09511	ACCENT STRIP	2
2	316-22-00-000	HOLD DOWN BRKT ASSY	4	15	R09509	"MADE IN CANADA" DECAL - LARGE	1

# 12000L TM VACUUM TANK



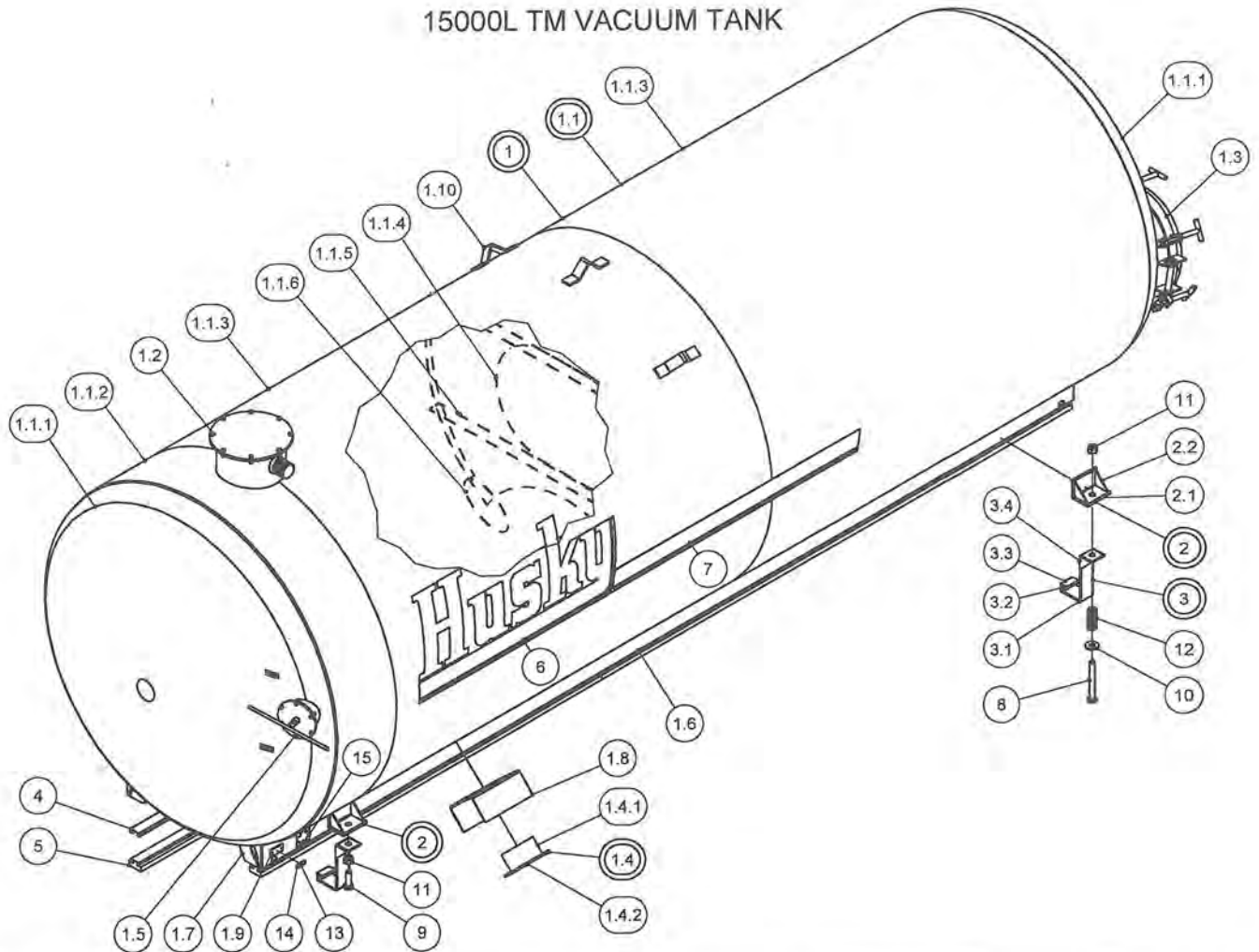
PARTS LIST				PARTS LIST			
ITEM	PART NUMBER	DESCRIPTION	QTY	ITEM	PART NUMBER	DESCRIPTION	QTY
1	372-01-00-000	12000L TANK & SILL ASSY	1	2.1	316-22-00-012	HOLD DOWN ANGLE BRKTS	1
1.1	368-01-01-000	12000L TANK ASSY	1	2.2	316-22-00-035	HOLD DOWN ANGLE GUSSET	2
1.1.1	368-01-01-008	12000L TANK SHELL	1	3	316-24-00-000	HOLD DOWN ASSY	4
1.1.2	368-01-01-009	12000L TANK SHELL	1	3.1	316-24-00-044	BRKT MAIN PC	1
1.1.3	368-01-01-010	12 & 14000L BAFFLE - 72" DIA TANK	1	3.2	316-24-00-045	SPACER BAR	1
1.1.4	368-01-01-427	BAFFLE REINFORCING BAR	2	3.3	316-24-00-046	HOLD DOWN RETURN	1
1.1.5	R09826	72" OD F & D HEAD 1/4PL	2	3.4	316-24-00-047	GUSSET	2
1.1.6	340-01-01-559	OVAL REINFORCING PLATE	2	4	R10482	RUBBER MOUNTING SILL CHANNEL	6
1.2	368-64-00-000	24" MANUAL VACUUM HATCH	1	5	R10483	RUBBER T-STRIP	4
1.3	368-91-00-000	PRIMARY MOISTURE TRAP - 3"	1	6	R07828	1" FLAT WASHER	2
1.4	368-01-72-000	6" VALVE FLANGE ASSY	1	7	R07663	1 x 3 UNC HEX BOLT	2
1.4.1	368-01-27-168	SIDE VALVE NIPPLE	1	8	R07669	1 x 8 UNC HEX BOLT	2
1.4.2	368-01-72-351	6" VALVE FLANGE	1	9	R08034	HP 88 1 x 4 SPRING	2
1.5	330-20-00-000	SITE GAUGE KIT	1	10	R08246	1 UNC NYLOCK NUT	4
1.6	300-01-00-012	TANK LIFT HOOK	3	11	R08152	6 x 1/4 PAN HD SOCKET SCREW	2
1.7	372-01-00-001	12000L TM SILL	2	12	R09071	SERIAL NUMBER PLATE	1
1.8	368-01-00-234	DEFLECTOR PLATE	1	13	R09510	"HUSKY" DECAL	2
1.9	372-01-00-002	SILL CAP	4	14	R09511	ACCENT STRIP	2
1.10	340-01-00-498	SERIAL NO. BACK PLATE	1	15	R09509	"MADE IN CANADA" DECAL - LARGE	1
2	316-22-00-000	HOLD DOWN BRKT ASSY	4				

# 14000L TM VACUUM TANK



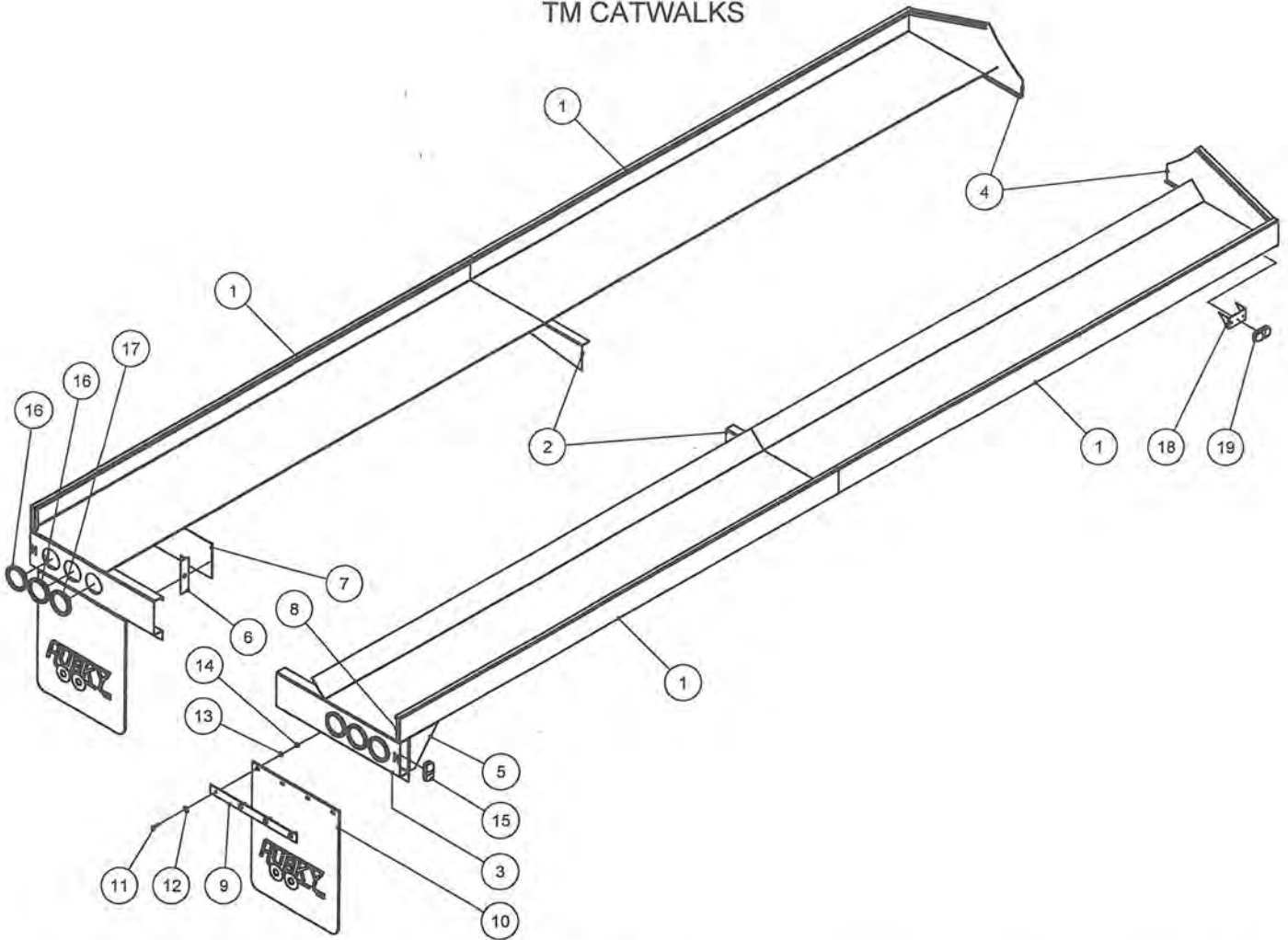
PARTS LIST				PARTS LIST			
ITEM	PART NUMBER	DESCRIPTION	QTY	ITEM	PART NUMBER	DESCRIPTION	QTY
1	373-02-00-000	14000L TANK & SILL ASSY	1	2.1	316-22-00-012	HOLD DOWN ANGLE BRKTS	1
1.1	369-19-12-000	14000L TANK ASSY	1	2.2	316-22-00-035	HOLD DOWN ANGLE GUSSET	2
1.1.1	369-19-12-080	14000L TANK SHELL	2	3	316-24-00-000	HOLD DOWN ASSY	4
1.1.2	R09826	72" OD F & D HEAD 1/4PL	2	3.1	316-24-00-044	BRKT MAIN PC	1
1.1.3	368-01-01-010	12 & 14000L BAFFLE - 72" DIA TANK	2	3.2	316-24-00-045	SPACER BAR	1
1.1.4	368-01-01-427	BAFFLE REINFORCING BAR	4	3.3	316-24-00-046	HOLD DOWN RETURN	1
1.1.5	340-01-01-559	OVAL REINFORCING PLATE	4	3.4	316-24-00-047	GUSSET	2
1.2	368-91-00-000	PRIMARY MOISTURE TRAP - 3"	1	4	R10482	RUBBER MOUNTING SILL CHANNEL	6
1.3	368-64-00-000	24" MANUAL VACUUM HATCH	1	5	R10483	RUBBER T-STRIP	4
1.4	368-01-72-000	6" VALVE FLANGE ASSY	1	6	R07828	1" FLAT WASHER	2
1.4.1	368-01-27-168	SIDE VALVE NIPPLE	1	7	R07663	1 x 3 UNC HEX BOLT	2
1.4.2	368-01-72-351	6" VALVE FLANGE	1	8	R07669	1 x 8 UNC HEX BOLT	2
1.5	330-20-00-000	SITE GAUGE KIT	1	9	R08034	HP 88 1 x 4 SPRING	2
1.6	373-02-00-004	14000L TM SILL	2	10	R08246	1 UNC NYLOCK NUT	4
1.7	372-01-00-002	SILL CAP	4	11	R08152	6 x 1/4 PAN HD SOCKET SCREW	2
1.8	340-01-00-498	SERIAL NO. BACK PLATE	1	12	R09071	SERIAL NUMBER PLATE	1
1.9	300-01-00-012	TANK LIFT HOOK	3	13	R09510	"HUSKY" DECAL	2
1.10	368-01-00-234	DEFLECTOR PLATE	1	14	R09511	ACCENT STRIP	2
2	316-22-00-000	HOLD DOWN BRKT ASSY	4	15	R09509	"MADE IN CANADA" DECAL - LARGE	1

# 15000L TM VACUUM TANK



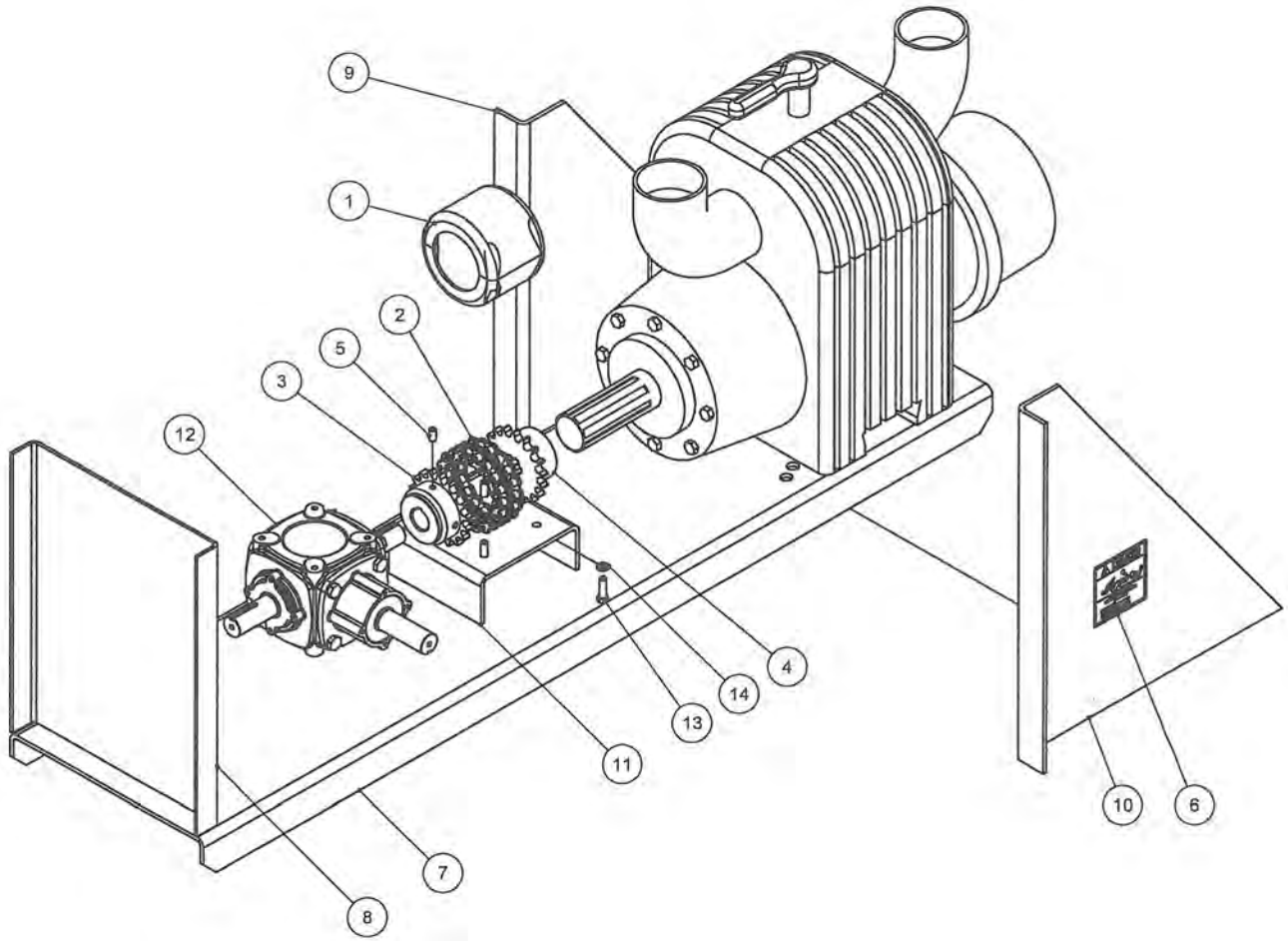
PARTS LIST				PARTS LIST			
ITEM	PART NUMBER	DESCRIPTION	QTY	ITEM	PART NUMBER	DESCRIPTION	QTY
1	377-01-00-000	15000L TANK & SILL ASSY	1	2.1	316-22-00-012	HOLD DOWN ANGLE BRKTS	1
1.1	376-01-02-000	15000L TANK ASSY	1	2.2	316-22-00-035	HOLD DOWN ANGLE GUSSET	2
1.1.1	R09826	72" OD F & D HEAD 1/4PL	2	3	316-24-00-000	HOLD DOWN ASSY	4
1.1.2	376-01-02-497	15000L SHORT SHELL	1	3.1	316-24-00-044	BRKT MAIN PC	1
1.1.3	369-19-12-080	14000L TANK SHELL	2	3.2	316-24-00-045	SPACER BAR	1
1.1.4	368-01-01-010	12 & 14000L BAFFLE - 72" DIA TANK	2	3.3	316-24-00-046	HOLD DOWN RETURN	1
1.1.5	368-01-01-427	BAFFLE REINFORCING BAR	4	3.4	316-24-00-047	GUSSET	2
1.1.6	340-01-01-559	OVAL REINFORCING PLATE	4	4	R10482	RUBBER MOUNTING SILL CHANNEL	6
1.2	368-91-00-000	PRIMARY MOISTURE TRAP - 3"	1	5	R10483	RUBBER T-STRIP	4
1.3	368-64-00-000	24" MANUAL VACUUM HATCH	1	6	R09510	"HUSKY" DECAL	2
1.4	368-01-72-000	6" VALVE FLANGE ASSY	1	7	R09511	ACCENT STRIP	2
1.4.1	368-01-27-168	SIDE VALVE NIPPLE	1	8	R07669	1 x 8 UNC HEX BOLT	2
1.4.2	368-01-72-351	6" VALVE FLANGE	1	9	R07663	1 x 3 UNC HEX BOLT	2
1.5	330-20-00-000	SITE GAUGE KIT	1	10	R07828	1" FLAT WASHER	2
1.6	377-01-00-066	15000L TM SILL	2	11	R08246	1 UNC NYLOCK NUT	4
1.7	372-01-00-002	SILL CAP	4	12	R08034	HP 88 1 x 4 SPRING	2
1.8	368-01-00-234	DEFLECTOR PLATE	1	13	R09071	SERIAL NUMBER PLATE	1
1.9	340-01-00-498	SERIAL NO. BACK PLATE	1	14	R08152	6 x 1/4 PAN HD SOCKET SCREW	2
1.10	300-01-00-012	TANK LIFT HOOK	3	15	R09509	"MADE IN CANADA" DECAL - LARGE	1
2	316-22-00-000	HOLD DOWN BRKT ASSY	4				

## TM CATWALKS



PARTS LIST			
ITEM	PART NUMBER	DESCRIPTION	QTY
1	372-00-00-028	FULL LENGTH FENDERS-78"DIA	4
2	372-00-00-026	CENTRE SUPPORT	2
3	372-00-00-027	REAR SUPPORT	2
4	372-00-00-029	FRONT SUPPORT	2
5	372-00-00-033	REAR CLEARANCE LIGHT MOUNT	2
6	372-00-00-031	TAIL LITE BRKT END CAP	2
7	372-00-00-030	TAIL LIGHT COVER	2
8	372-00-00-067	CATWALK FILLER TUBE	2
9	332-27-00-083	MUDFLAP CLAMP STRAP	2
10	R09528	HUSKY MUDFLAP	2
11	R07620	3/8 x 1 1/2 UNC HEX BOLT	8
12	R07823	3/8" FLAT WASHER	8
13	R07803	3/8" LOCK WASHER	8
14	R07783	3/8-16 UNC HEX NUT	8
15	R10089	RED CLEARANCE LIGHT	2
16	R10087	RED LIGHT KIT	4
17	R10088	BACKUP LIGHT KIT	2
18	372-00-00-034	FRONT CLEARANCE LIGHT BRKT	2
19	R10090	AMBER CLEARANCE LIGHT	2

## DIRECT VACUUM DRIVE KIT

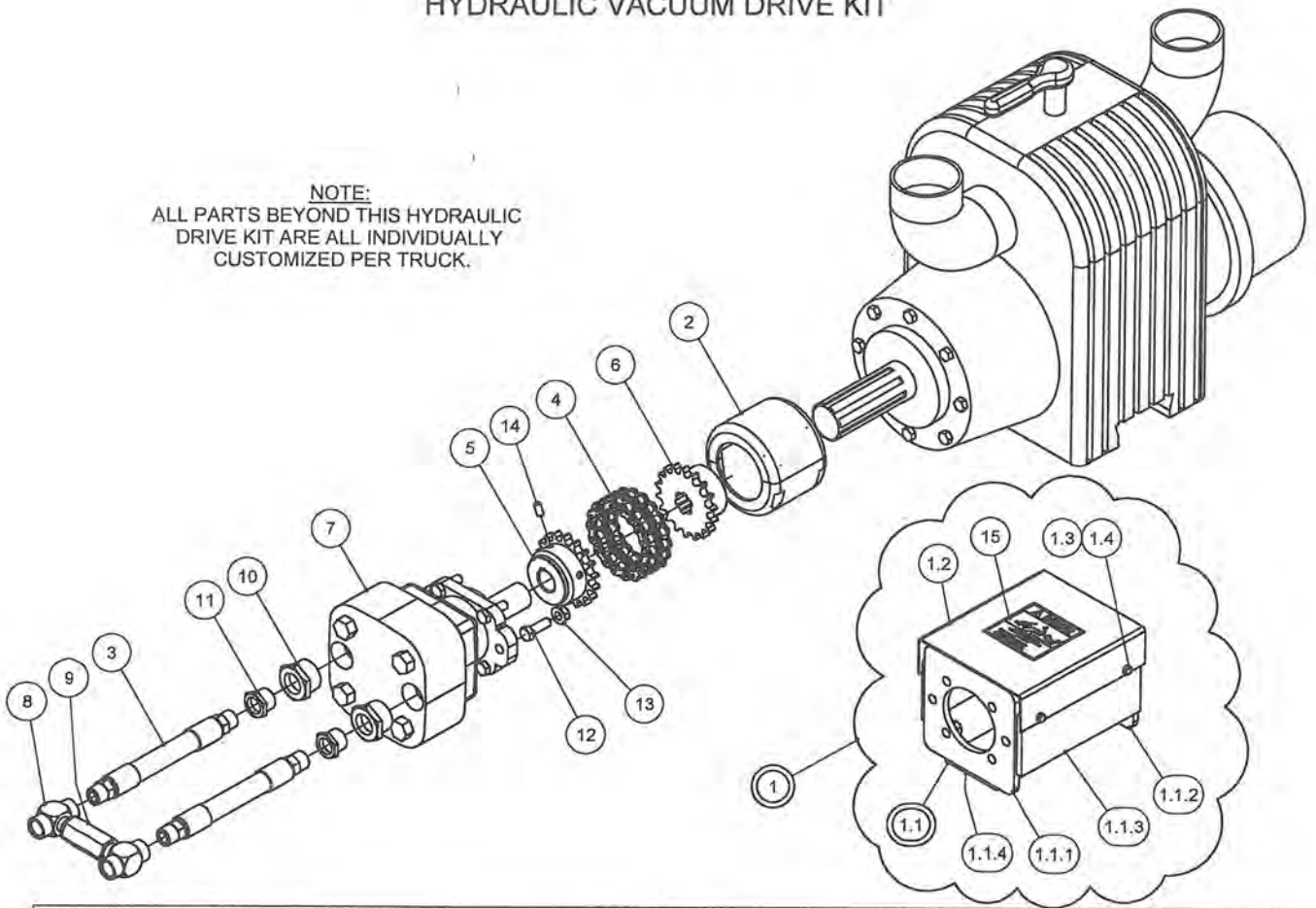


PARTS LIST			
ITEM	PART NUMBER	DESCRIPTION	QTY
1	R20617	60 - 18 COUPLING COVER	1
2	R20883	60-18 COUPLING CHAIN	1
3	384-02-00-007	60B - 18 SPR.-1 1/4" STR SHAFT	1
4	384-02-00-072	SPROCKET FOR 6 TOOTH SPLINE	1
5	R07911	3/8 x 3/4 UNC SET SCREW	2
6	R21521	"ROTATING DRIVE LINE" DECAL	1
7	372-00-00-038	PUMP MOUNT CHANNEL	1
8	372-00-00-037	RH SUPPORT	1
9	372-00-00-035	MOUNT CHANNEL SUPPORT	1
10	372-00-00-035 RH	MOUNT CHANNEL SUPPORT	1
11	372-00-00-036	GEAR BOX MOUNT	1
12	R21739	T-19A (1:1) GEARBOX - 259.066.1	1
13	R07675	3/8 x 1 1/4 UNC HEX BOLT	4
14	R07803	3/8" LOCK WASHER	4



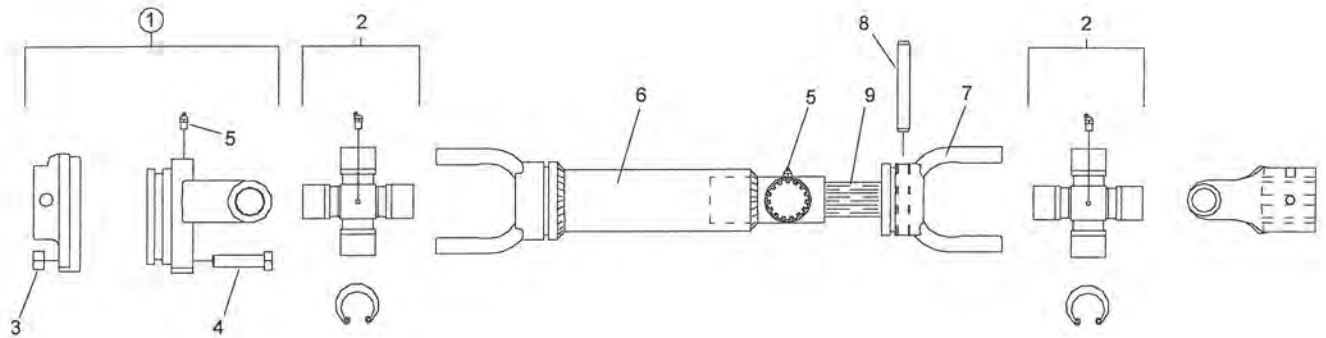
## HYDRAULIC VACUUM DRIVE KIT

**NOTE:**  
ALL PARTS BEYOND THIS HYDRAULIC  
DRIVE KIT ARE ALL INDIVIDUALLY  
CUSTOMIZED PER TRUCK.



PARTS LIST			
ITEM	PART NUMBER	DESCRIPTION	QTY
1	375-98-00-000	HYDRAULIC MOUNT KIT FOR JUROP VAC PUMP	1
1.1	375-98-01-000	HYDRAULIC DRIVE BOX ASSY	1
1.1.1	375-99-01-472	HYDRAULIC MOTOR PLATE	1
1.1.2	375-99-01-473	VACUUM PUMP PLATE	1
1.1.3	375-98-01-488	SIDE TIE PLATE	2
1.1.4	375-98-01-489	BOTTOM TIE PLATE	1
1.2	375-98-00-490	COVER PLATE	1
1.3	R07801	1/4" LOCK WASHER	4
1.4	R07698	1/4 x 1/2 UNC HEX BOLT	4
2	R20617	60 - 18 COUPLING COVER	1
3	364-48-32-000	3/4" HYD HOSE ASSY	2
4	R20883	60-18 COUPLING CHAIN	1
5	384-02-00-007	60B - 18 SPR.-1 1/4" STR SHAFT	1
6	384-02-00-072	SPROCKET FOR 6 TOOTH SPLINE	1
7	R21356	MUNCIE PUMP-PL237 BPBB	1
8	R21393	3/4" HYDRAULIC TEE	2
9	R21202	3/4" NPT IN-LINE CHECK VALVE	1
10	R21283	1 1/2" X 1" BUSHING	2
11	R21292	1" X 3/4" BUSHING	2
12	R07638	1/2 x 1 1/2 UNC HEX BOLT	6
13	R07795	1/2-13 UNC FLANGE NUT	6
14	R07911	3/8 x 3/4 UNC SET SCREW	2
15	R21521	"ROTATING DRIVE LINE" DECAL	1

# TM PTO

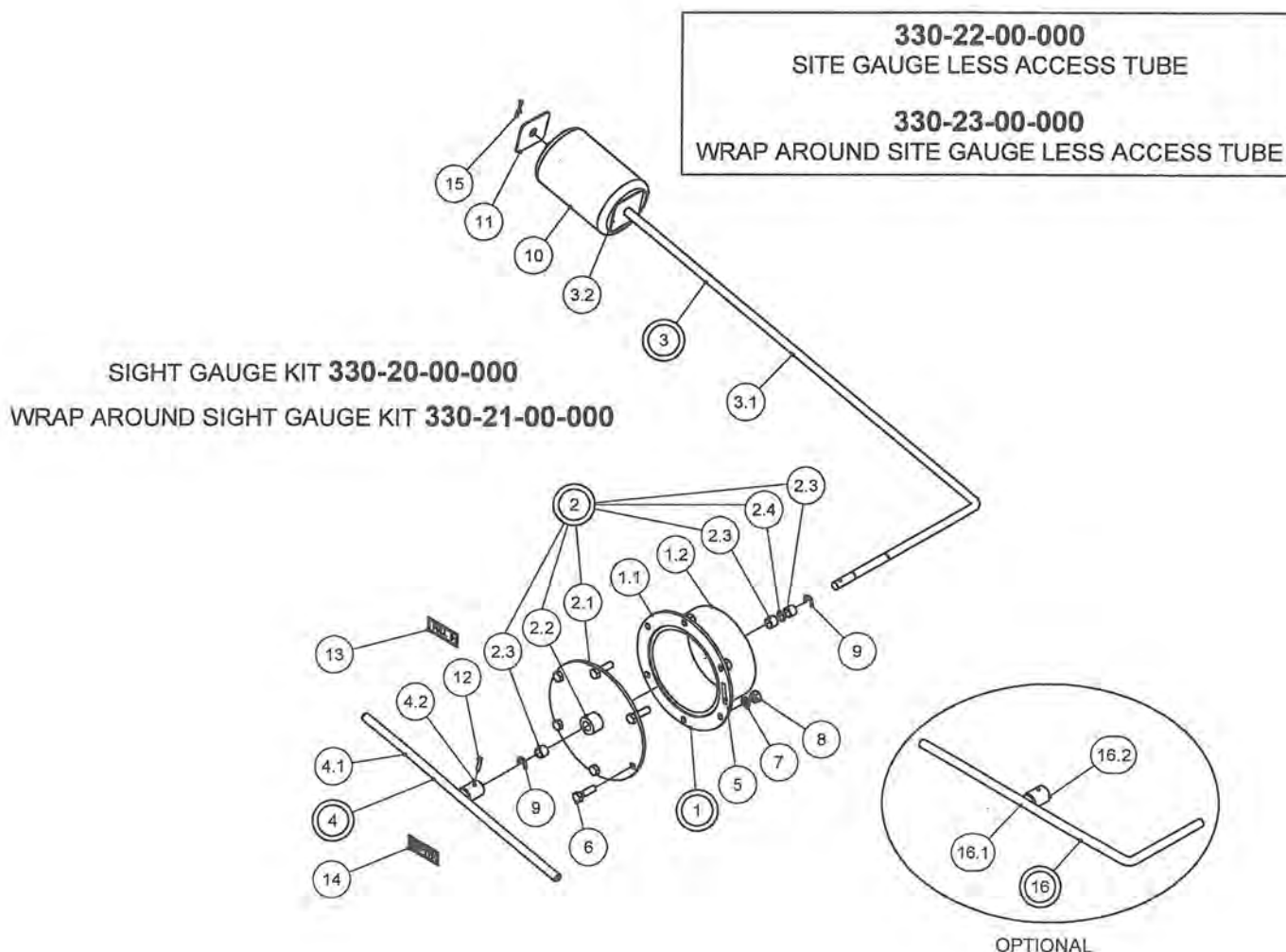


## BONDIOLI & PAVESI PTO R21580

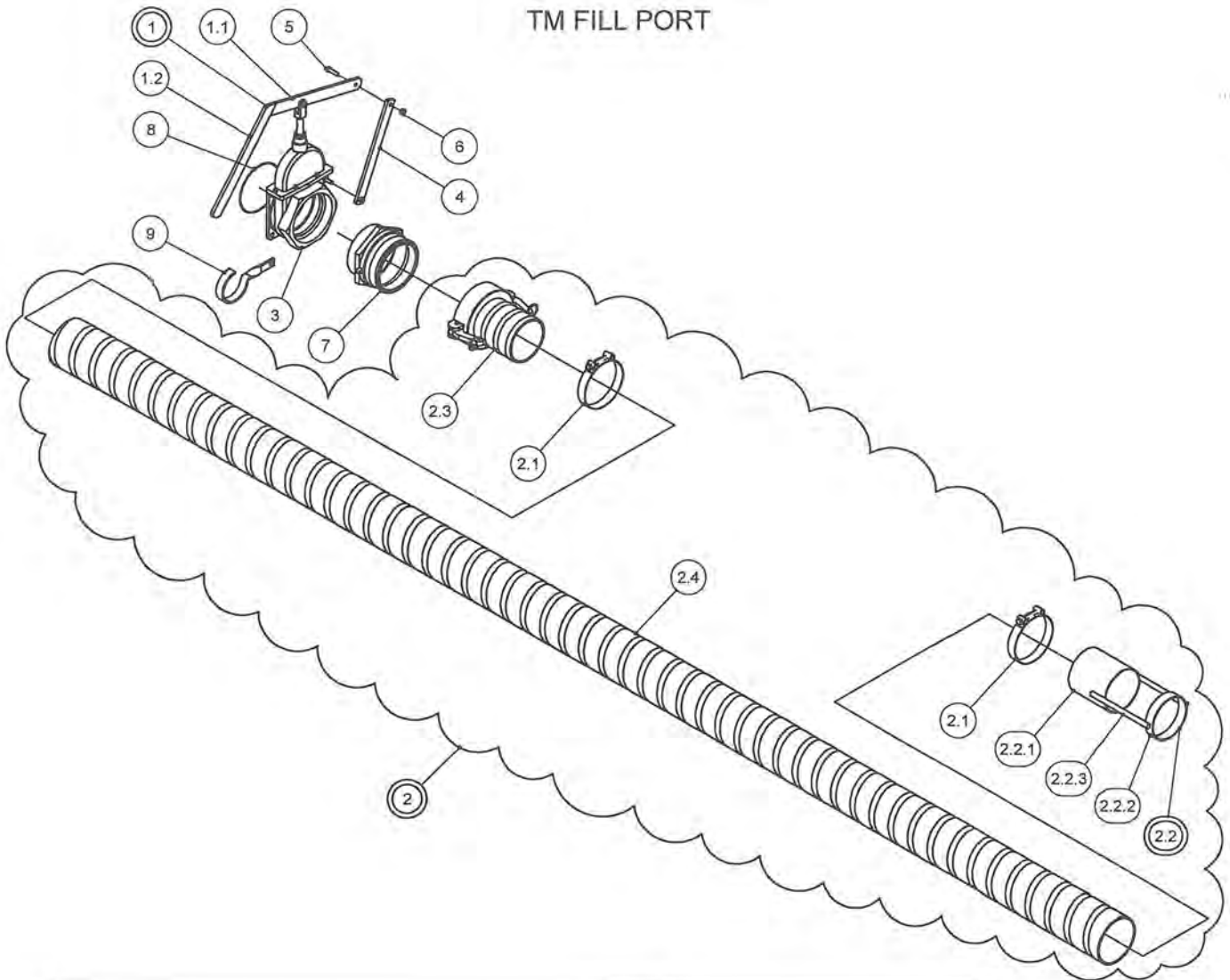
PARTS LIST				
ITEM	BONDIOLI & PAVESI #	HUSKY #	DESCRIPTION	QTY
1	6060E6701R	R22328	SHEAR YOKE ASSY	1
2	41204R	R21693	CROSS KIT	2
3,4	432000003R05	R22336	SHEAR BOLT & NUT	1
5	348018000	R22325	GREASE FTG	2
6	569B49021	R22327	YOKE & TUBE ASSY	1
7	204043251		SPLINED YOKE	1
8	345013000R10		ROLL PIN	1
9	249170560	R22326	SPLINED SHAFT	1

## SIGHT GAUGE KIT

PARTS LIST				PARTS LIST			
ITEM	PART NUMBER	DESCRIPTION	QTY	ITEM	PART NUMBER	DESCRIPTION	QTY
1	330-20-03-000	ACCESS TUBE ASSY	1	5	R04100	SILICONE SEALANT	1
1.1	330-20-03-560	ACCESS TUBE FLANGE	1	6	R07675	3/8 x 1 1/4" HEX BOLT	6
1.2	330-20-03-556	ACCESS TUBE	1	7	R07803	3/8 LOCK WASHER	6
2	330-20-04-000	COVER PLATE ASSY	1	8	R07783	3/8 HEX NUT	6
2.1	330-20-00-557	COVER PLATE	1	9	R07974	EXTERNAL RETAINING RING	2
2.2	330-20-04-562	BUSHING HOLDER	1	10	R09524	FLOAT	1
2.3	R21173	1/2 x 5/8 x 1/2" BRONZE BUSHING	3	11	330-20-01-552	FLOAT STRAPS	1
2.4	R20865	O-RING #11-014	1	12	R08241	3/16 x 1 SS ROLL PIN	1
3	330-20-01-000	FLOAT ARM ASSY	1	13	R09529	"FULL" DECAL	1
3.1	330-20-01-551	FLOAT ARM	1	14	R09530	"EMPTY" DECAL	1
3.2	330-20-01-552	FLOAT STRAPS	1	15	R08021	1/8 x 1 S.S. COTTER PIN	1
4	330-20-02-000	INDICATOR ARM ASSY	1	16	330-21-01-000	WRAP AROUND SITE ARM ASSY	1
4.1	330-20-02-554	INDICATOR ARM	1	16.1	330-19-46-546	WRAP AROUND SITE ARM	1
4.2	330-20-02-553	INDICATOR ARM HUB	1	16.2	330-20-02-553	INDICATOR ARM HUB	1



## TM FILL PORT

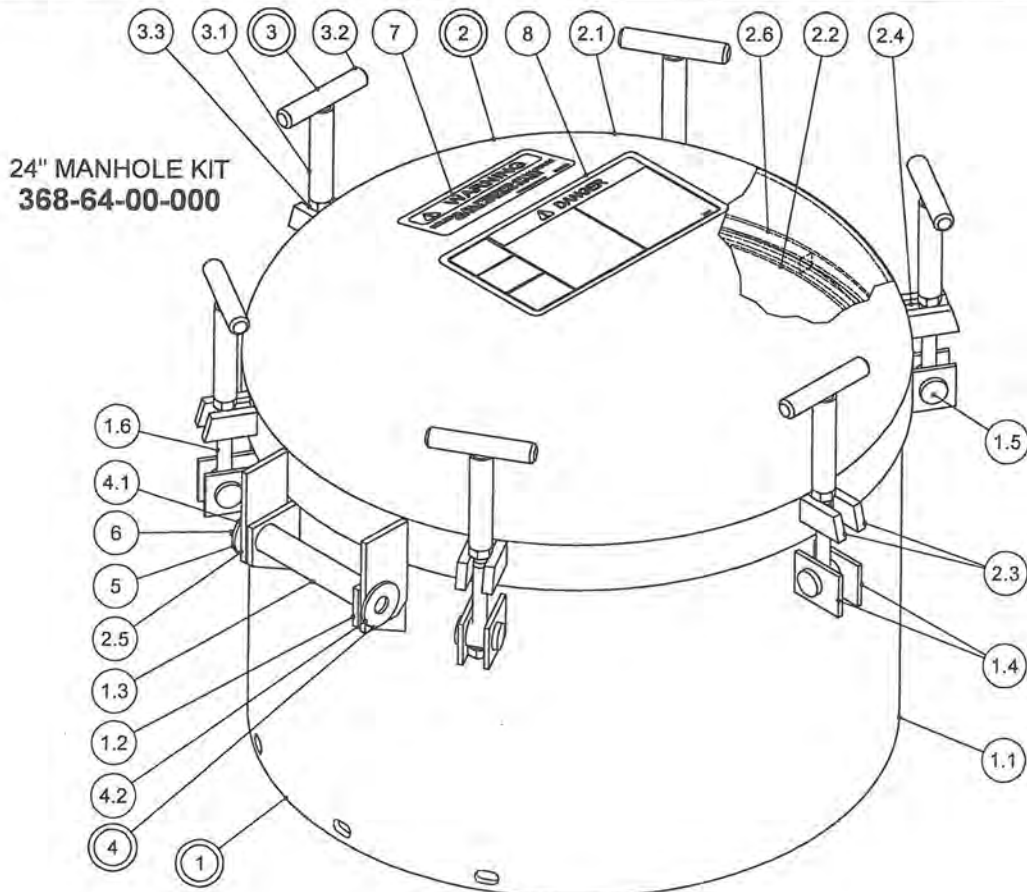


### PARTS LIST

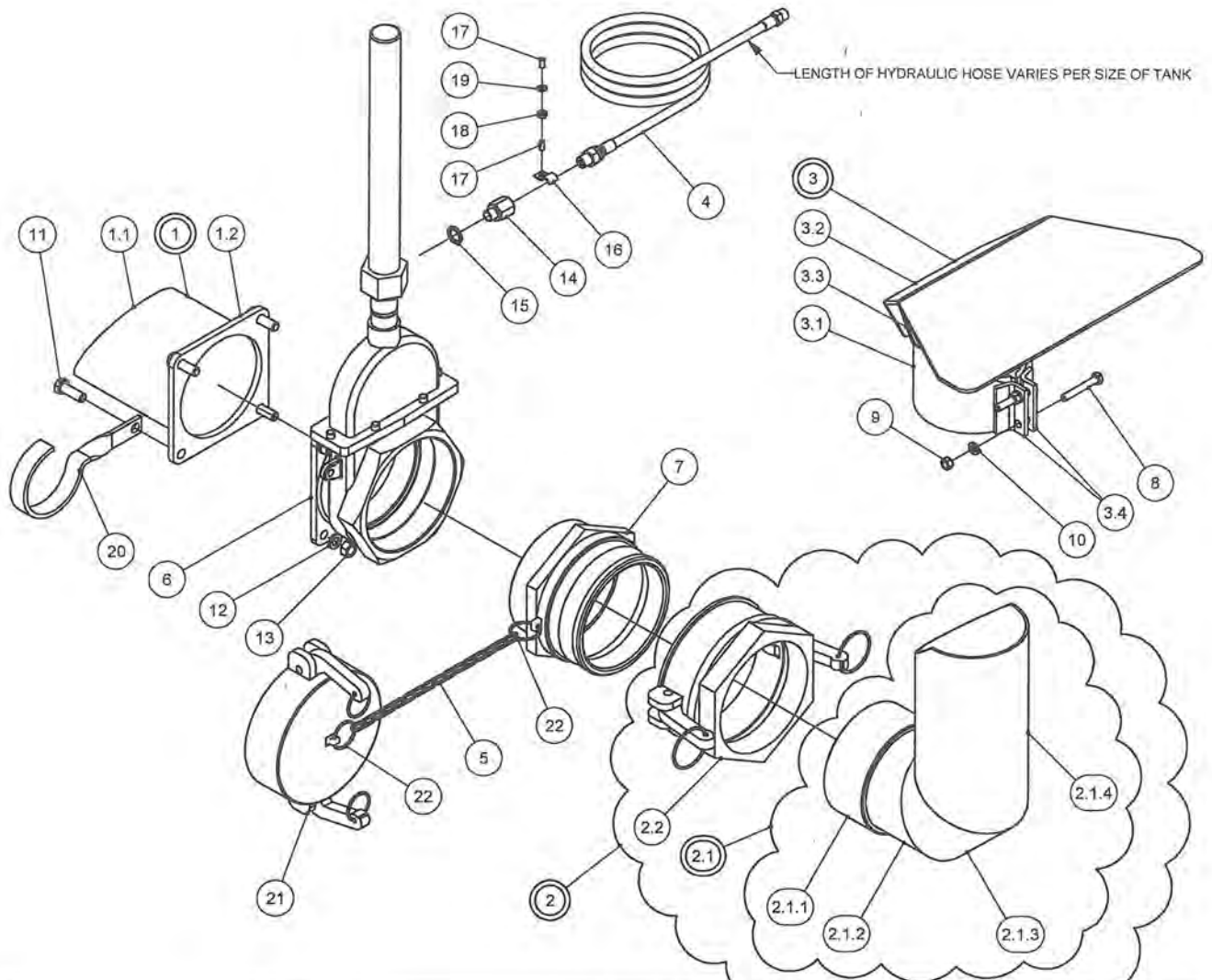
ITEM	PART NUMBER	DESCRIPTION	QTY
1	368-87-00-000	MANUAL VALVE HANDLE ASSY	1
1.1	368-87-00-358	MANUAL VALVE HANDLE - UPPER PC	1
1.2	368-87-00-359	MANUAL VALVE HANDLE - LOWER PC	1
2	372-09-00-000	15FT SUCTION HOSE KIT w/ CAMLOCK	1
2.1	R02482	6" HOSE CLAMP	2
2.2	368-12-00-000	SUCTION HOSE PIPE ASSY	1
2.2.1	368-12-00-063	SUCTION HOSE PIPE	1
2.2.2	368-12-00-064	SUCTION HOSE LOWER PIPE	1
2.2.3	368-12-00-065	REINFORCING BARS	2
2.3	R02800	6" CAMLOCK C	1
2.4	368-00-00-066	SUCTION HOSE	1
3	R10209	6" MANUAL BRASS VALVE	1
4	368-00-00-094	6" VALVE PIVOT HANDLE	1
5	R07620	3/8 x 1 1/2 UNC HEX BOLT	3
6	R07886	3/8-16 UNC 2-WAY LOCK NUT	3
7	R02803	6" MALE CAMLOCK	1
8	R10374	6" FLANGE "O" RING	1
9	372-00-00-044	HOOK FOR CAMLOC	1

## 24" MANHOLE KIT

Parts List			
ITEM	PART NUMBER	DESCRIPTION	QTY
1	368-64-61-000	24" MANHOLE ASSY	1
1.1	368-64-61-303	24" MANHOLE	1
1.2	368-64-61-304	LOWER HINGE LUG	2
1.3	368-64-61-305	LOWER HINGE LUG SLEEVE	1
1.4	368-01-04-018	BOLT HOLDER LUG	12
1.5	368-00-00-032	BOLT HOLDER	6
1.6	R07644	1/2 x 5 HEX BOLT	6
2	368-64-60-000	24" MANHOLE HATCH ASSY	1
2.1	R10080	24" DOMED HEAD	1
2.2	368-64-60-302	ANGLE RING	1
2.3	368-03-00-028	CLAMP LUG	12
2.4	368-03-00-148	CLAMP LUG STOP	6
2.5	368-64-60-301	HINGE LUG - 24"	2
2.6	368-64-00-306	RUBBER SEAL - 24"	1
3	368-50-00-000	VACUUM HATCH HANDLE	6
3.1	368-50-00-228	HANDLE TUBE	1
3.2	368-50-00-227	HANDLE CROSS BAR	1
3.3	R07785	1/2 HEX NUT	1
4	368-64-01-000	LID PIN ASSY	1
4.1	368-64-00-307	PIN	1
4.2	R07826	5/8 FLAT WASHER	1
5	R07827	3/4" FLAT WASHER	1
6	R07943	3/16 x 1 1/2 ROLL PIN	1
7	R09668	"RELIEVE ALL PRESSURE" DECAL	1
8	R10334	TOXIC GAS PICTORAL DECAL	1



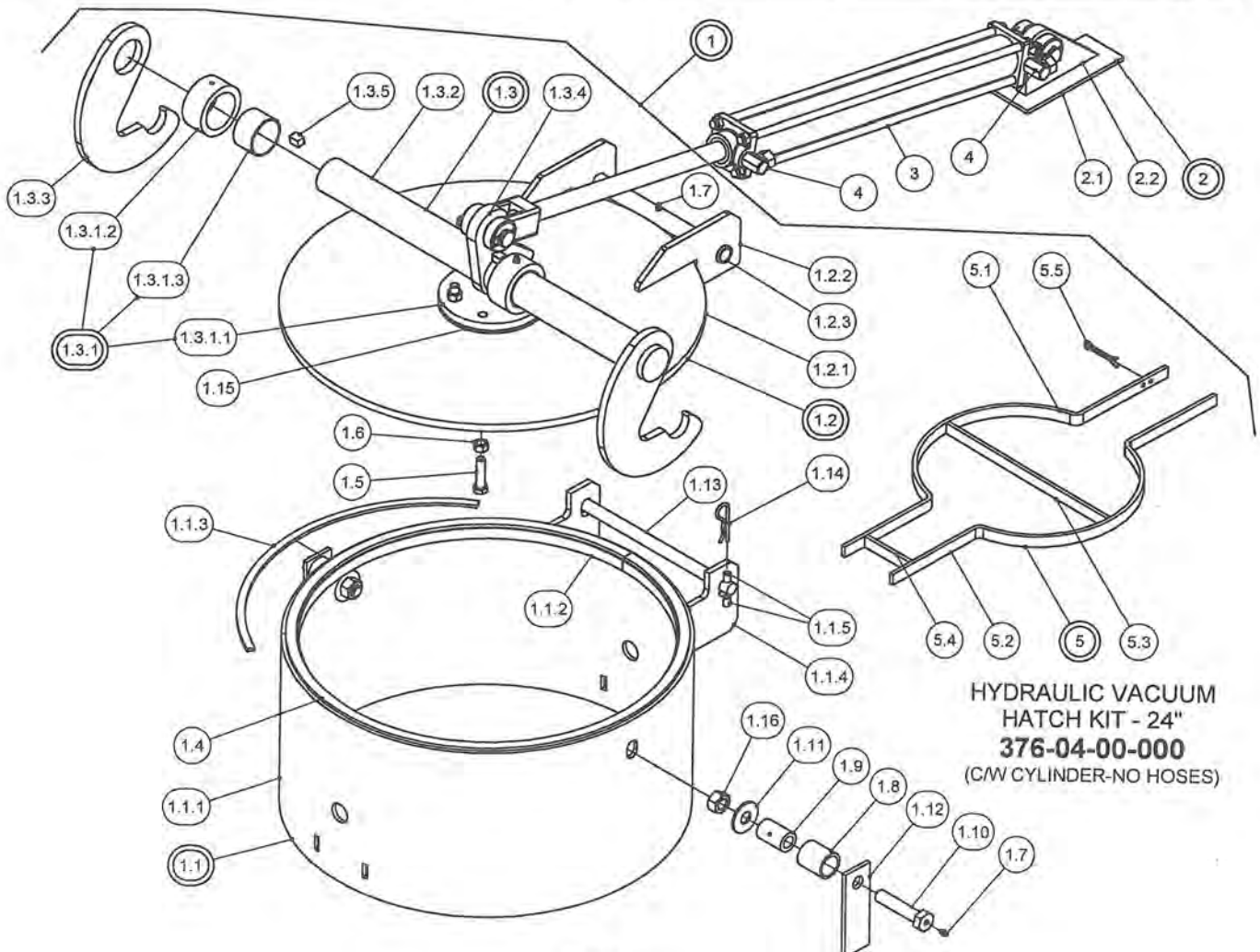
### TM REAR DISCHARGE



PARTS LIST				PARTS LIST			
ITEM	PART NUMBER	DESCRIPTION	QTY	ITEM	PART NUMBER	DESCRIPTION	QTY
1	368-01-73-000	6" REAR VALVE FLANGE ASSY	1	6	R10218	6" BRASS VALVE - HYD/GAS CYL	1
1.1	368-01-28-169	REAR EXTENSION NIPPLE	1	7	R02803	6" MALE CAMLOCK	1
1.2	368-01-72-351	6" VALVE FLANGE	1	8	R07622	3/8 x 2 1/2 UNC HEX BOLT	2
2	372-08-00-000	COUPLER AND ELBOW KIT	1	9	R07783	3/8-16 UNC HEX NUT	2
2.1	372-08-05-000	ELBOW ASSY FOR CAMLOCK	1	10	R07803	3/8" LOCK WASHER	2
2.1.1	372-08-05-043	HALF NIPPLE	1	11	R07638	1/2 x 1 1/2 UNC HEX BOLT	4
2.1.2	368-60-49-357	ELBOW BASE PC	1	12	R07805	1/2" LOCK WASHER	4
2.1.3	364-19-00-082	DISCHARGE PIPE CORNER PC	1	13	R07785	1/2-13 UNC HEX NUT	4
2.1.4	364-25-00-067	DISCHARGE PIPE END PC	1	14	R22145	M18-1.5F x 3/8 NPT ADAPTER	1
2.2	R02801	6" CAMLOCK PART "D" COUPLER	1	15	R10405	GAS/HYD SEAL WASHER	1
3	364-68-00-000	SPLASH PLATE ASSY	1	16	R21104	HYD. HOSE CLIPS	4
3.1	364-68-00-215	CLAMPING TUBE	1	17	R08301	1/4 x 20 UNC x 1/2" WELD STUD	4
3.2	364-21-00-069	SPLASH PLATE	1	18	R07781	1/4-20 UNC HEX NUT	4
3.3	364-21-00-224	SPLASH PLATE WING	2	19	R07801	1/4" LOCK WASHER	4
3.4	364-21-00-071	CLAMPING TUBE BRKT	2	20	372-00-00-044	HOOK FOR CAMLOC	1
4	369-84-00-000	HYDRAULIC HOSE ASSY	1	21	R02804	6" FEMALE CAMLOCK CAP	1
5	R08099	1/8 GR. 30 COIL CHAIN	1	22	R08200	1 1/2" DIA SPLIT RING	2

## HYDRAULIC VACUUM HATCH KIT

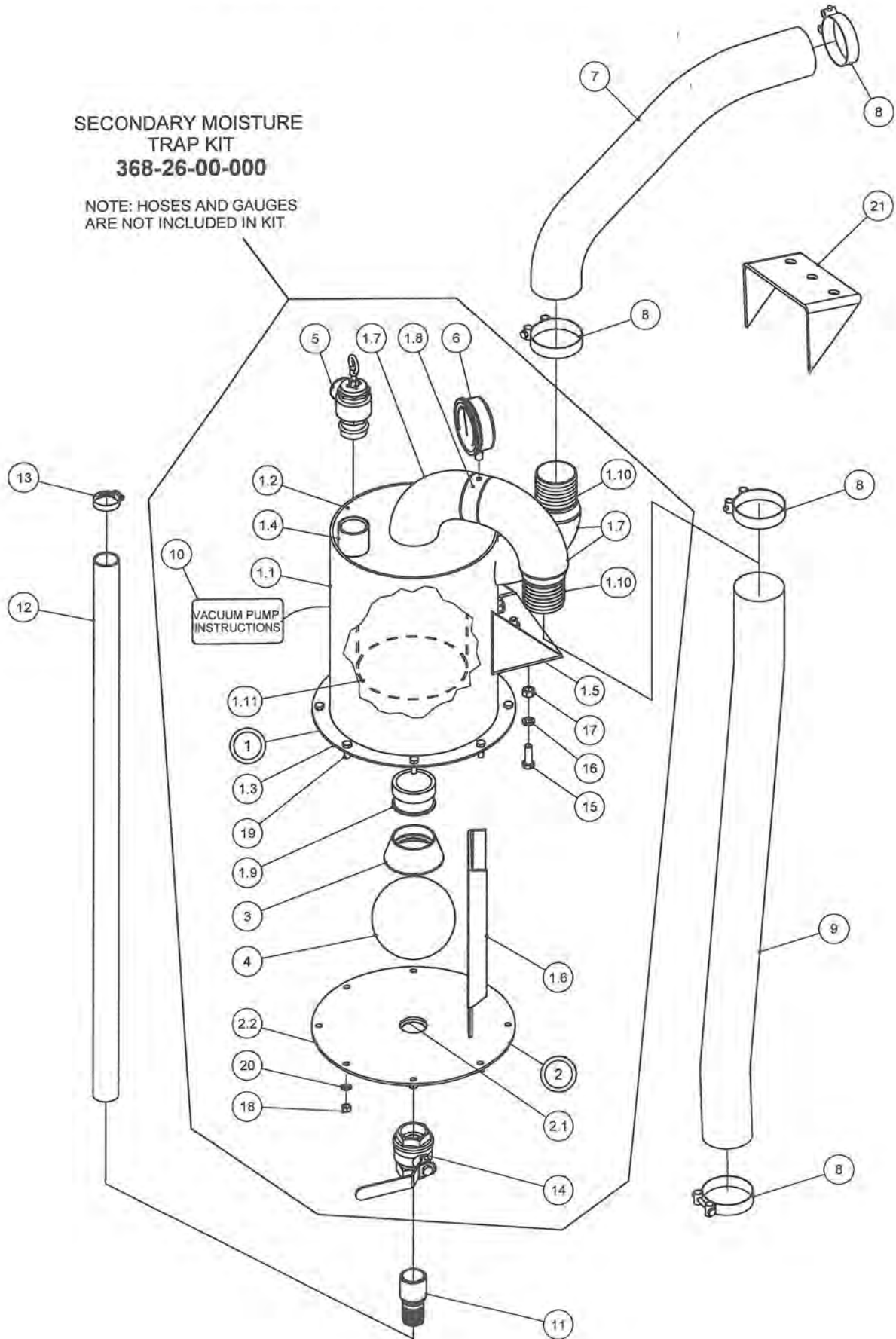
PARTS LIST				PARTS LIST			
ITEM	PART NUMBER	DESCRIPTION	QTY	ITEM	PART NUMBER	DESCRIPTION	QTY
1	376-04-01-000	HYDRAULIC VACUUM HATCH LESS HYD.	1	1.6	R07785	1/2-13 UNC HEX NUT	4
1.1	376-04-02-000	MANHOLE ASSY	1	1.7	R08183	1/4" - 28 STRAIGHT GREASE FITTING	5
1.1.1	376-04-02-536	MANHOLE	1	1.8	368-54-00-293	ROLLER SLEEVE	2
1.1.2	376-04-02-537	ANGLE RING	1	1.9	368-54-00-292	LOCKING SHAFT	2
1.1.3	376-04-02-532	O RING SPACER	3	1.10	368-54-00-291	LOCKING BOLT	2
1.1.4	368-54-54-283	HINGE BRKT	2	1.11	R07827	3/4" FLAT WASHER	2
1.1.5	368-54-54-284	HINGE BRKT SLEEVE	2	1.12	368-54-00-294	LOCKING BOLT SUPPORT	2
1.2	376-04-03-000	VACUUM LID ASSY	1	1.13	368-54-00-281	HINGE PIN	1
1.2.1	376-04-03-533	LID	1	1.14	R07948	5/32 HAIR PIN	1
1.2.2	368-54-52-276	HINGE	2	1.15	368-54-00-296	SHIM	1
1.2.3	368-54-52-278	LID SLEEVE	1	1.16	R07787	3/4 - 10 UNC HEX NUT	2
1.3	376-04-04-000	CROSS SHAFT & DOG ASSY	1	2	368-54-02-000	CYLINDER BRKT ASSY	1
1.3.1	368-54-63-000	VACUUM LID BUSHING HOLDER ASSY	1	2.1	368-54-02-425	CYLINDER BRKT BASE PLATE	1
1.3.1.1	368-54-63-310	BUSHING HOLDER PLATE	1	2.2	368-54-00-295	CYLINDER BRKT	1
1.3.1.2	368-54-53-280	BUSHING HOLDER	2	3	R20732	2 x 20 HYDRAULIC CYLINDER	1
1.3.1.3	R21176	2 3/16 ID x 2 3/8 OD x 1 1/2 BUSHING	2	4	R21366	3/8" x 90 DEG. NPT STREET ELBOW	2
1.3.2	376-04-04-534	CROSS SHAFT	1	5	357-63-00-000	SAFETY BAR ASSY	1
1.3.3	368-54-62-308	LOCKING DOG	2	5.1	357-63-00-320	SAFETY BAR	1
1.3.4	368-54-00-286	PIVOT BRKT	1	5.2	357-63-00-332	SAFETY BAR	1
1.3.5	368-54-62-329	STOP	2	5.3	357-63-00-321	CROSS SAFETY BAR	1
1.4	376-04-01-535	MANHOLE HATCH SEAL	1	5.4	357-63-00-322	STOP BAR	1
1.5	R07639	1/2 x 2 UNC HEX BOLT	4	5.5	R08016	1/4 x 2 COTTER PIN	1



# TM SECONDARY MOISTURE TRAP COMPLETE

## SECONDARY MOISTURE TRAP KIT 368-26-00-000

NOTE: HOSES AND GAUGES  
ARE NOT INCLUDED IN KIT



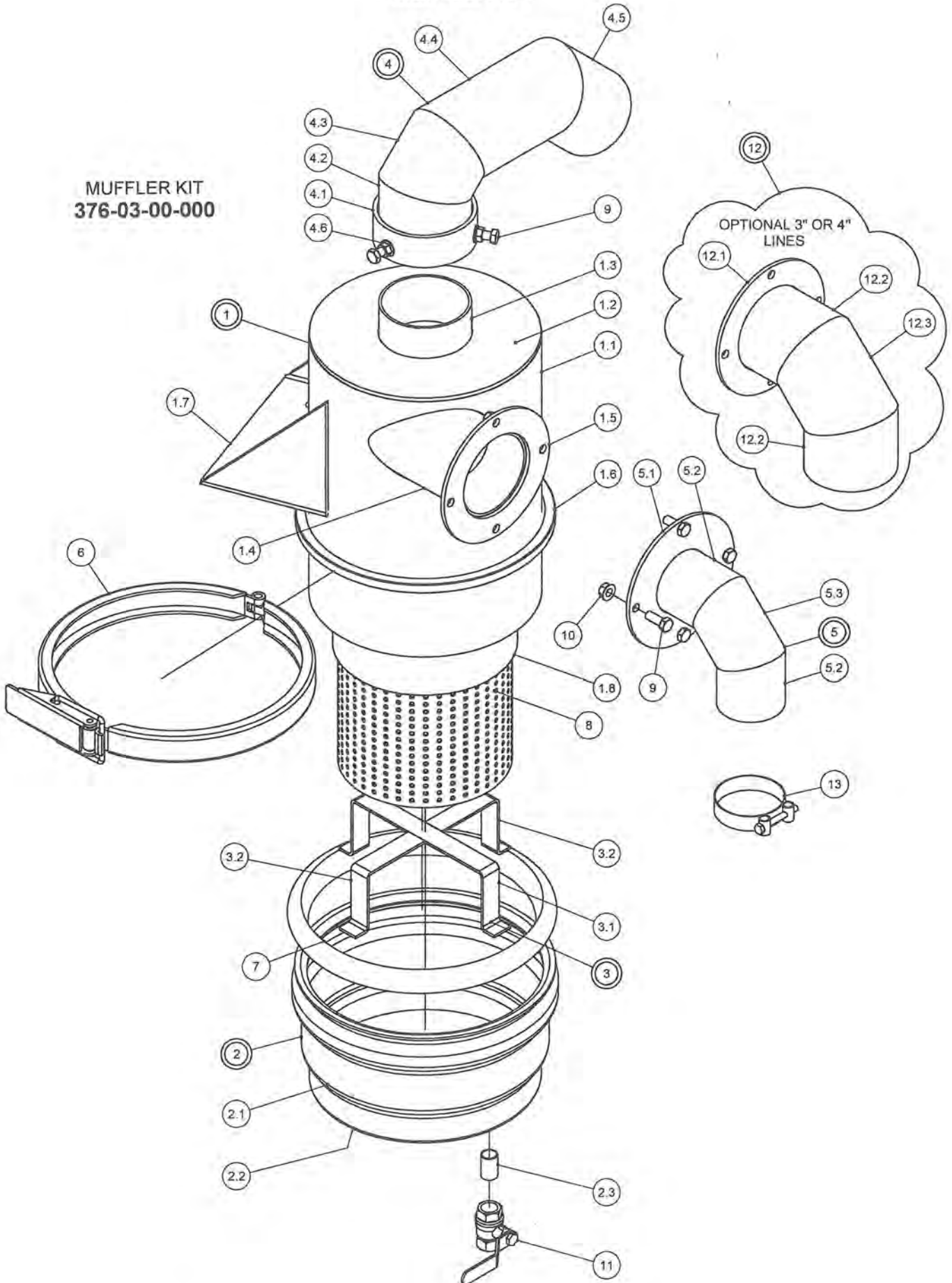


## SECONDARY MOISTURE TRAP COMPLETE

PARTS LIST			
ITEM	PART NUMBER	DESCRIPTION	QTY
1	368-26-22-000	SECONDARY MOISTURE TRAP ASSY	1
1.1	368-26-22-119	SECONDARY TRAP TUBE	1
1.2	368-26-22-120	SECONDARY TRAP LID	1
1.3	368-26-22-121	FLANGE	1
1.4	R02063	1 1/2" COUPLING	1
1.5	368-26-22-128	MOISTURE TRAP BRKT	1
1.6	368-26-22-273	SECONDARY TRAP BAFFLE	1
1.7	R02448	3" WELD ELBOW	3
1.8	368-26-22-123	ELBOW EXTENSION TUBE	1
1.9	368-25-20-110	SEAT HOLDER	1
1.10	368-25-20-114	HALF BARBED CONNECTOR	2
1.11	368-26-22-122	SECONDARY INNER TUBE	1
2	368-26-01-000	COVER PLATE ASSY	1
2.1	R02127	1 1/2" CLOSE NIPPLE	1
2.2	368-26-01-444	COVER PLATE	1
3	R09857	RUBBER VALVE SEAT	1
4	R09856	STAINLESS STEEL BALL	1
5	R09910	PRESSURE RELIEF VALVE	1
6	R09833	PRESSURE VACUUM GAUGE	1
7	372-00-00-014	3" PRESSURE VACUUM HOSE	1
8	R02480	3" BAUER SUPER CLAMP	4
9	372-00-00-016	3" PRESSURE VACUUM HOSE - 10ft	1
10	R09733	VAC. PUMP INSTRUCTIONS DECAL	1
11	R02453	1 1/2" COMBINATION NIPPLE	1
12	368-00-00-070	DRAIN HOSE	1
13	R02232	1 1/2" GEAR CLAMP	1
14	R02455	1 1/2 NPT Ball Valve	1
15	R07638	1/2 x 1 1/2 UNC HEX BOLT	3
16	R07805	1/2" LOCK WASHER	3
17	R07785	1/2-13 UNC HEX NUT	3
18	R07783	3/8-16 UNC HEX NUT	8
19	R07619	3/8 x 1 UNC HEX BOLT	8
20	R07803	3/8" LOCK WASHER	8
21	368-01-00-007	MOISTURE TRAP TANK BRKT	1

# MUFFLER KIT

MUFFLER KIT  
376-03-00-000



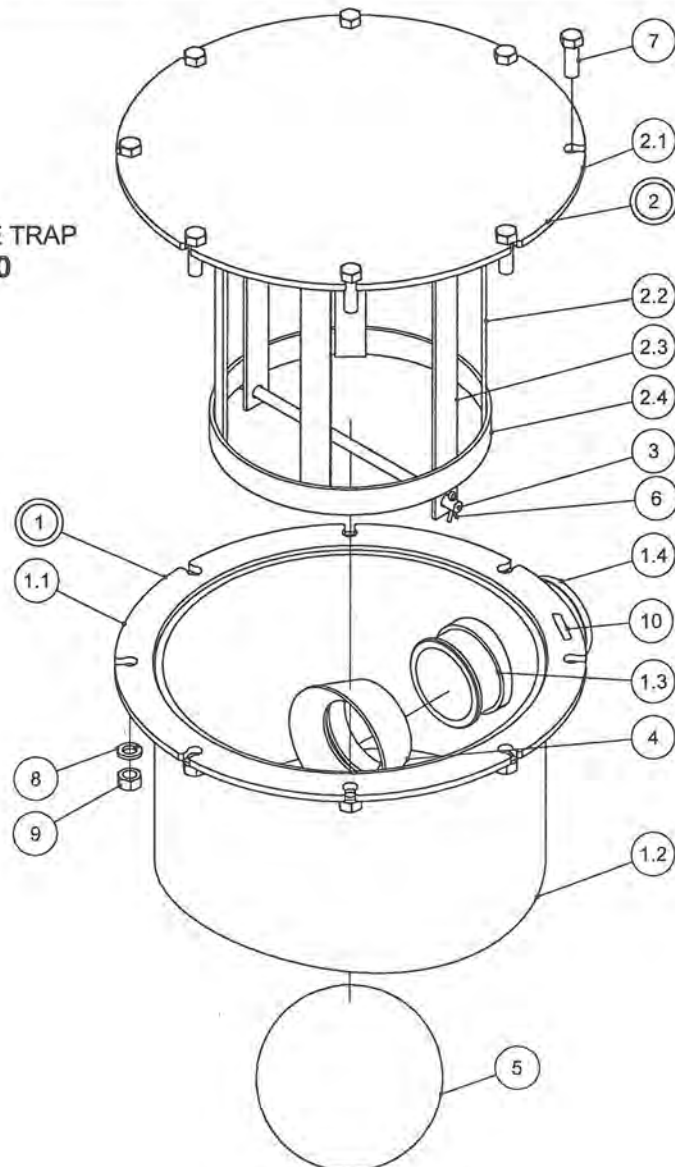
## MUFFLER KIT

PARTS LIST			
ITEM	PART NUMBER	DESCRIPTION	QTY
1	376-03-01-000	UPPER CAN ASSY	1
1.1	368-59-01-456	UPPER CAN	1
1.2	368-59-01-457	UPPER CAN TOP	1
1.3	368-59-01-455	ELBOW EXTENSION TUBE	1
1.4	368-59-47-263	4" SIDE INLET	1
1.5	368-59-47-440	4" MUFFLER FLANGE	1
1.6	286-00-00-059	RING FOR STEEL ELBOW	1
1.7	368-59-01-492	MUFFLER BRKT	1
1.8	376-03-01-510	INNER MESH TUBE	1
2	368-59-03-000	BOTTOM CAN ASSY	1
2.1	R02499	10" FEMALE CIRCLOCK COUPLING	1
2.2	368-59-03-454	BOTTOM CAP	1
2.3	R02123	1/2" CLOSE NIPPLE	1
3	376-03-02-000	STAND ASSY	1
3.1	376-03-02-511	SINGLE STAND	1
3.2	376-03-02-512	HALF STAND	2
4	368-59-06-000	PIPE ASSY	1
4.1	368-59-06-469	LOCK COLLAR	1
4.2	368-59-06-458	PIPE PC #1	1
4.3	368-59-06-459	PIPE PC #2	1
4.4	368-59-06-460	PIPE PC #3	1
4.5	368-59-06-461	PIPE PC #4	1
4.6	R07794	3/8-16 UNC FLANGE NUT	3
5	368-59-04-000	3" EXTENSION TUBE ASSY	1
5.1	368-59-04-462	3" MUFFLER FLANGE	1
5.2	368-59-04-463	3" EXTENSION TUBE	2
5.3	368-59-04-493	EXTENSION TUBE MID PC	1
6	R02500	10" BANDLOC CLAMP	1
7	R02852	10" CL GASKET	1
8	R00617	S.S.KNITTED WIRE MESH	1
9	R07619	3/8 x 1 UNC HEX BOLT	7
10	R07794	3/8-16 UNC FLANGE NUT	4
11	R02473	1/2 NPT Ball Valve	1
12	368-59-05-000	4" EXTENSION TUBE ASSY	1
12.1	368-59-47-440	4" MUFFLER FLANGE	1
12.2	368-59-05-464	4" EXTENSION TUBE	2
12.3	368-59-05-494	4" ELBOW MIDDLE PC	1
13	R02480	3" BAUER SUPER CLAMP	2

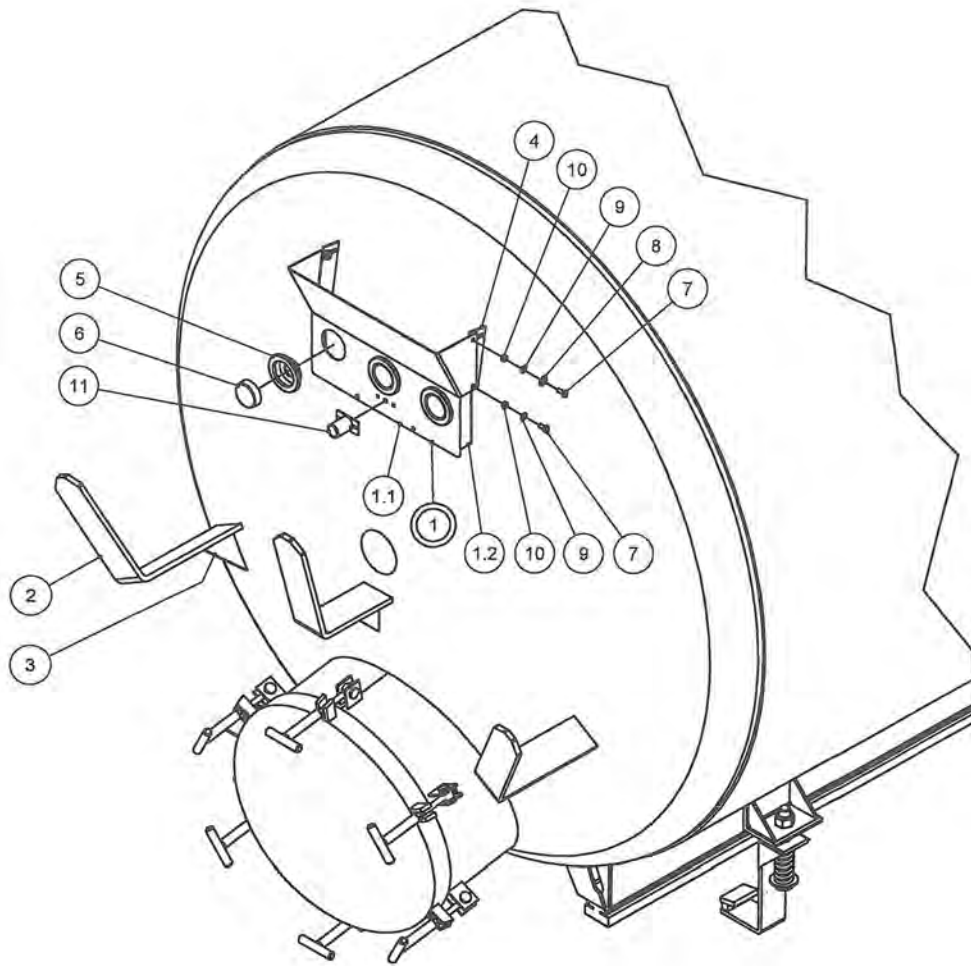
## PRIMARY MOSITURE TRAP COMPLETE

Parts List			
ITEM	PART NUMBER	DESCRIPTION	QTY
1	368-91-01-000	CAN ASSY - 3" OUTLET	1
1.1	368-91-01-379	CAN FLANGE	1
1.2	368-91-01-378	PRIMARY CAN	1
1.3	368-25-20-110	SEAT HOLDER	1
1.4	368-25-20-114	HALF BARBED CONNECTOR	1
2	368-91-02-000	CAGE ASSY	1
2.1	368-91-02-380	CAGE TOP	1
2.2	368-91-02-383	CAGE SIDE STRAP - SHORT	4
2.3	368-91-02-382	CAGE SIDE STRAP - LONG	2
2.4	368-91-02-381	RETAINING RING	2
3	368-91-00-384	BALL RETAINING PIN	1
4	R09857	RUBBER VALVE SEAT	1
5	R09856	STAINLESS STEEL BALL	1
6	R08021	1/8 x 1 S.S. COTTER PIN	2
7	R07671	7/16 x 1 1/4 HEX BOLT	8
8	R07804	7/16 LOCK WASHER	8
9	R07784	7/16 HEX NUT	8
10	R04100	SILICONE SEALANT	1

**PRIMARY MOISTURE TRAP  
368-91-00-000**

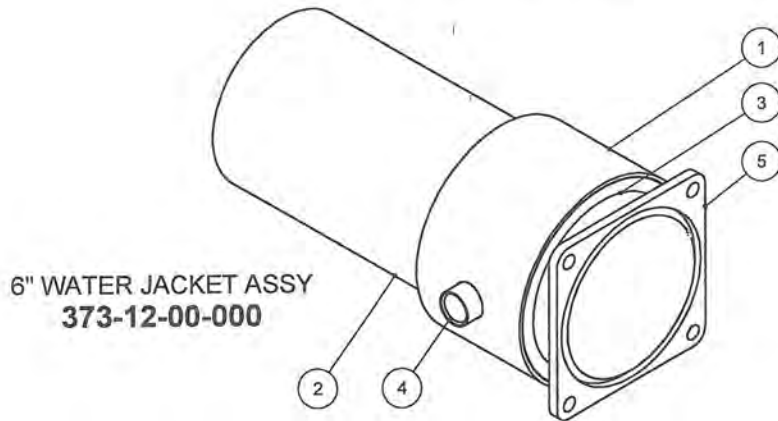


## TM OPTIONS

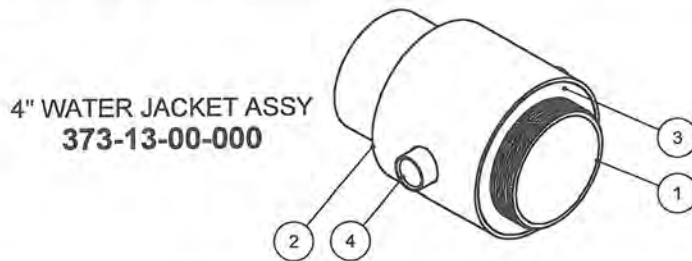


PARTS LIST			
ITEM	PART NUMBER	DESCRIPTION	QTY
1	372-16-00-000	CLEARANCE LIGHT BOX ASSY	1
1.1	372-00-00-045	STICKER PLATE	1
1.2	372-16-00-065	CLEARANCE LIGHT COVER	1
2	372-00-00-041	HOSE RACK	3
3	372-00-00-050	HOSE RACK GUSSET	3
4	372-00-00-046	STICKER PLATE BRKT	2
5	R10355	Ø2 1/2" RUBBER MOUNT	3
6	R10353	Ø2 1/2" RED CLEARANCE LIGHT	3
7	R07676	5/16 x 3/4 UNC HEX BOLT	4
8	R07822	5/16" FLAT WASHER	2
9	R07802	5/16" LOCK WASHER	4
10	R07782	5/16-18 UNC HEX NUT	4
11	R10093	LICENSE LAMP	1

## TM WATER JACKETS



PARTS LIST			
ITEM	PART NUMBER	DESCRIPTION	QTY
1	373-12-00-054	OUTER SLEEVE	1
2	373-12-00-055	6" EXTENSION PIPE	1
3	373-12-00-056	FILLER RING	2
4	373-12-00-060	3/4" HALF PIPE COUPLING	2
5	373-12-00-061	FLANGE	1



PARTS LIST			
ITEM	PART NUMBER	DESCRIPTION	QTY
1	373-13-00-057	4" EXTENSION PIPE	1
2	373-13-00-058	OUTER SLEEVE	1
3	373-13-00-059	FILLER RING	2
4	373-12-00-060	3/4" HALF PIPE COUPLING	2



PARTS LIST			
ITEM	PART NUMBER	DESCRIPTION	QTY
1	373-15-00-063	OUTER SLEEVE	1
2	373-15-00-062	3" EXTENSION PIPE	1
3	373-15-00-064	FILLER RING	2
4	373-12-00-060	3/4" HALF PIPE COUPLING	2