

DATE PURCHASED _____

MACHINE SERIAL NO _____

*Office Copy
May 6/94
10 mm*

OPTIONS _____

PLEASE NOTE:

The key number system in this parts book is arranged as follows:
O-- Key number with one circle denotes main assemblies
-- Key numbers not circled are individual parts

Please order parts by number

TRUCK MOUNT VACUUM

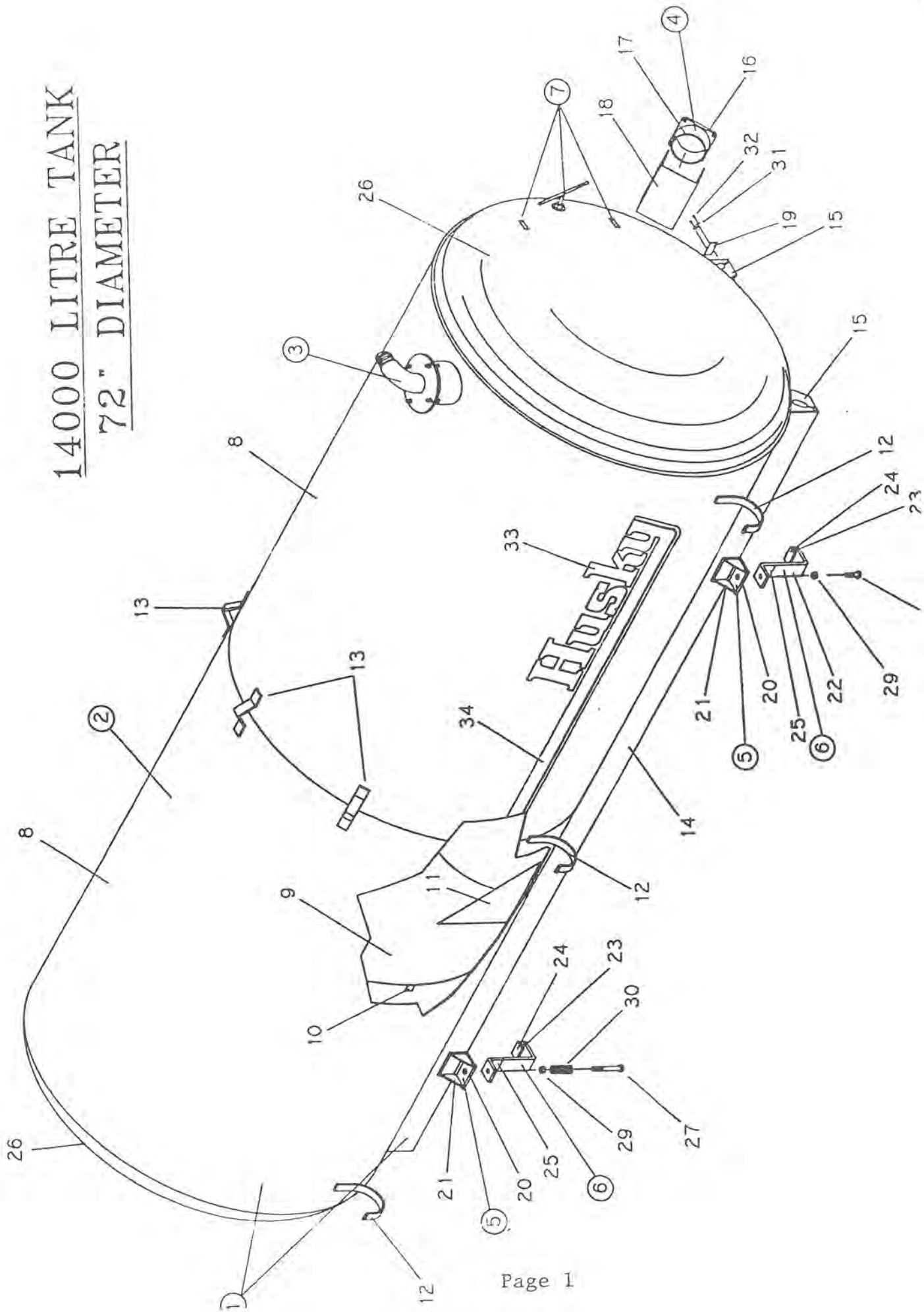
9000 L TO 14000L

HUSKY LIQUID MANURE SPREADERS

OPERATING REQUIREMENTS FOR TANKER MANURE SPREADERS:

1. Do not operate machine until you fully understand the safe operating practices.
2. Make sure all moving parts are shielded to prevent coming in contact with clothing.
3. Vacuum pumps require lubricating oil at all times, make sure oil is in pump and drip oiler is set at approx. 30 drops per minute.
4. If your tank is equipped with manhole, never open manhole if tank is pressurized.
5. Your vac tank is equipped with a pressure safety relief valve to protect against over pressurizing tank. Never remove relief valve or try to pressurize higher than valve setting.
6. Most vacuum pumps are designed for intermittent duty. Do not run pump on a continual basis without cooling options or pump will overheat.
7. Never enter sewage tank without protective equipment as deadly gas may be present.

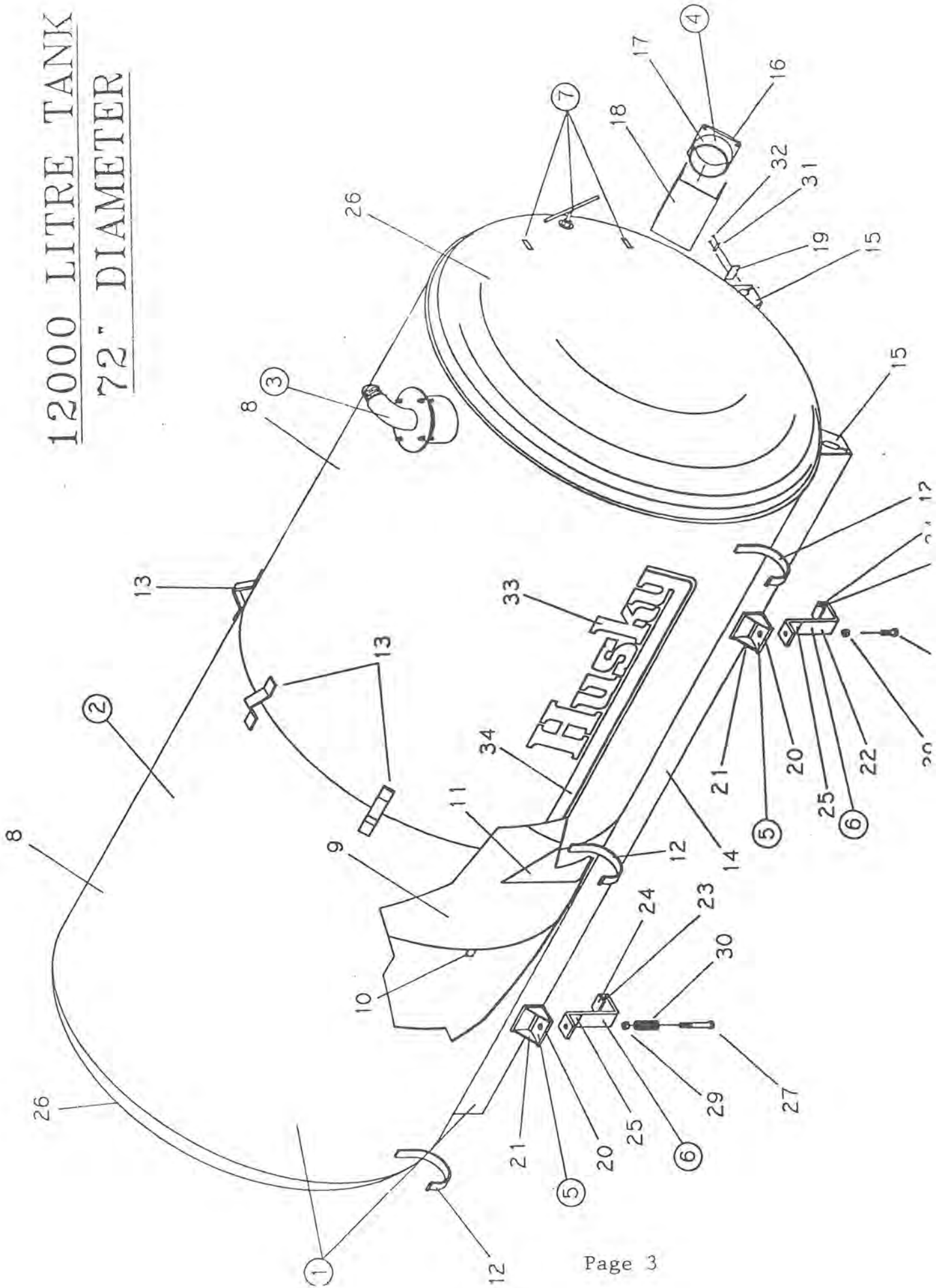
14000 LITRE TANK
72" DIAMETER



14000L TRUCK MOUNT VACUUM

<u>KEY</u>	<u>PART NUMBER</u>	<u>DESCRIPTION</u>	<u>QTY</u>
1	370-02-00-000	14000L Tank & Sill Assy	1
2	369-19-12-000	14000L Tank Assy	1
3	368-25-00-000	Primary Moisture Trap Complete	1
4	368-01-72-000	Side Valve Flange Assy	1
5	316-22-00-000	Hold Down Brkt Assy	4
6	316-24-00-000	Hold Down Assy	4
7	330-93-00-000	Site Gauge Kit	1
8	369-19-12-080	14000L Tank Shell	2
9	368-01-01-010	14000L Baffle	2
10	300-01-00-016	Baffle Brackets	32
11	340-01-01-459	Baffle Gussets	8
12	368-01-00-001	Suction Pipe Holder	3
13	300-01-00-012	Tank Lift Hook	3
14	373-02-00-004	Sill	2
15	372-01-00-002	Sill Cap	4
16	368-01-72-351	Valve Flange	1
17	368-01-27-168	Side Valve Nipple	1
18	368-01-00-234	Deflector Plate	1
19	340-01-00-498	Serial Number Plate	1
20	316-22-00-012	Hold Down Angle Brkt	4
21	316-22-00-035	Hold Down Angle Gusset	8
22	316-24-00-044	Bracket Main Pc	4
23	316-24-00-045	Spacer Bar	4
24	316-24-00-046	Hold Down Return	4
25	316-24-00-047	Gusset	8
26	R09826	72" Dished Head	2
27	R07669	1 x 8 Hex Bolt	2
28	R07663	1 x 3 Hex Bolt	2
29	R07882	1" Hex Lock Nut	4
30	R08034	Hold Down Spring	2
31	R09071	Serial Number	1
32	R08152	#6 x 1/4 Pan Head Screw	2
33	R09510	"Husky" Decal	2
34	R09511	Accent Stripe	2

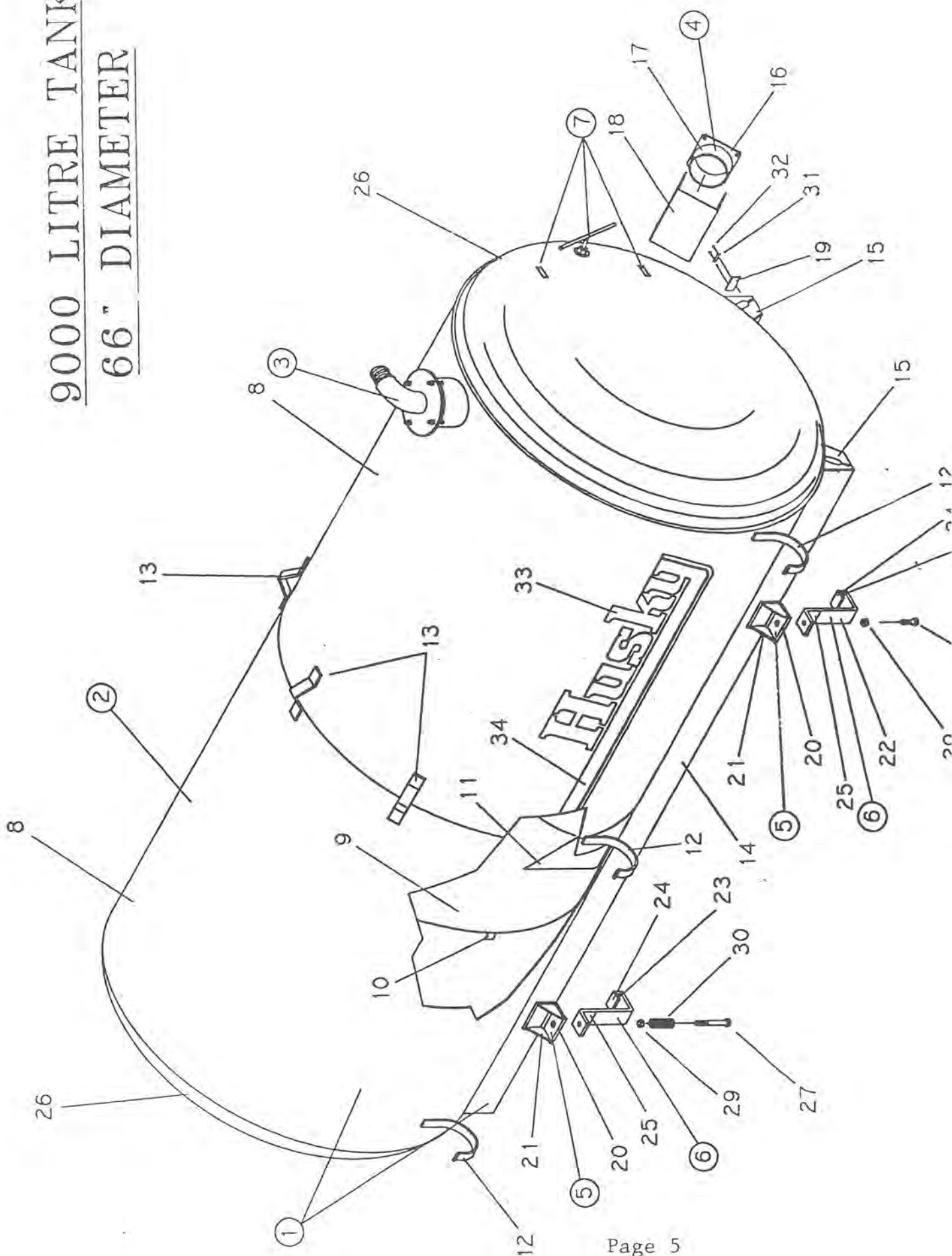
12000 LITRE TANK
72" DIAMETER



12000L TRUCK MOUNT VACUUM

<u>KEY</u>	<u>PART NUMBER</u>	<u>DESCRIPTION</u>	<u>QTY</u>
1	372-01-00-000	12000L Tank & Sill Assy	1
2	368-01-01-000	12000L Tank Assy	1
3	368-25-00-000	Primary Moisture Trap Complete	1
4	368-01-72-000	Side Valve Flange Assy	1
5	316-22-00-000	Hold Down Brkt Assy	4
6	316-24-00-000	Hold Down Assy	4
7	330-93-00-000	Site Gauge Kit	1
8	368-01-01-008	12000L Tank Shell	1
	368-01-01-009	12000L Tank Shell	1
9	368-01-01-010	12000L Baffle	1
10	300-01-00-016	Baffle Brackets	16
11	340-01-01-459	Baffle Gussets	4
12	368-01-00-001	Suction Pipe Holder	3
13	300-01-00-012	Tank Lift Hook	3
14	372-01-00-001	Sill	2
15	372-01-00-002	Sill Cap	4
16	368-01-72-351	Valve Flange	1
17	368-01-27-168	Side Valve Nipple	1
18	368-01-00-234	Deflector Plate	1
19	340-01-00-498	Serial Number Plate	1
20	316-22-00-012	Hold Down Angle Brkt	4
21	316-22-00-035	Hold Down Angle Gusset	8
22	316-24-00-044	Bracket Main Pc	4
23	316-24-00-045	Spacer Bar	4
24	316-24-00-046	Hold Down Return	4
25	316-24-00-047	Gusset	8
26	R09826	72" Dished Head	2
27	R07669	1 x 8 Hex Bolt	2
28	R07663	1 x 3 Hex Bolt	2
29	R07882	1" Hex Lock Nut	4
30	R08034	Hold Down Spring	2
31	R09071	Serial Number	1
32	R08152	#6 x 1/4 Pan Head Screw	2
33	R09510	"Husky" Decal	2
34	R09511	Accent Stripe	2

9000 LITRE TANK
66" DIAMETER



9000L TRUCK MOUNT VACUUM

<u>KEY</u>	<u>PART NUMBER</u>	<u>DESCRIPTION</u>	<u>QTY</u>
1	371-03-00-000	9000L Tank & Sill Assy	1
2	367-18-10-000	9000L Tank Assy	1
3	368-25-00-000	Primary Moisture Trap Complete	1
4	368-01-72-000	Side Valve Flange Assy	1

5	316-22-00-000	Hold Down Brkt Assy	4
6	316-24-00-000	Hold Down Assy	4
7	330-93-00-000	Site Gauge Kit	1
8	367-18-10-073	9000L Tank Shell	2

9	367-18-10-074	9000L Baffle	1
10	300-01-00-016	Baffle Brackets	16
11	340-01-01-459	Baffle Gussets	4
12	368-01-00-001	Suction Pipe Holder	3

13	300-01-00-012	Tank Lift Hook	3
14	371-03-00-005	Sill	2
15	371-03-00-006	Sill Cap	4
16	368-01-72-351	Valve Flange	1

17	368-01-27-168	Side Valve Nipple	1
18	368-01-00-234	Deflector Plate	1
19	340-01-00-498	Serial Number Plate	1
20	316-22-00-012	Hold Down Angle Brkt	4

21	316-22-00-035	Hold Down Angle Gusset	8
22	316-24-00-044	Bracket Main Pc	4
23	316-24-00-045	Spacer Bar	4
24	316-24-00-046	Hold Down Return	4

25	316-24-00-047	Gusset	8
26	R09843	66" Dished Head	2
27	R07669	1x8 Hex Bolt	2
28	R07663	1x3 Hex Bolt	2

29	R07882	1" Hex Lock Nut	4
30	R08034	Hold Down Spring	2
31	R09071	Serial Number	1
32	R08152	#6 x 1/4 Pan Head Screw	2

33	R09510	"Husky" Decal	2
34	R09511	Accent Stripe	2

KEY	PART NUMBER	DESCRIPTION	QTY
1	368-64-60-000	24" Manhole Hatch Assy	1
2	368-64-61-000	24" Manhole Assy	1
3	368-50-00-000	Handle Assy	6
4	368-64-60-301	Hinge Lug	2

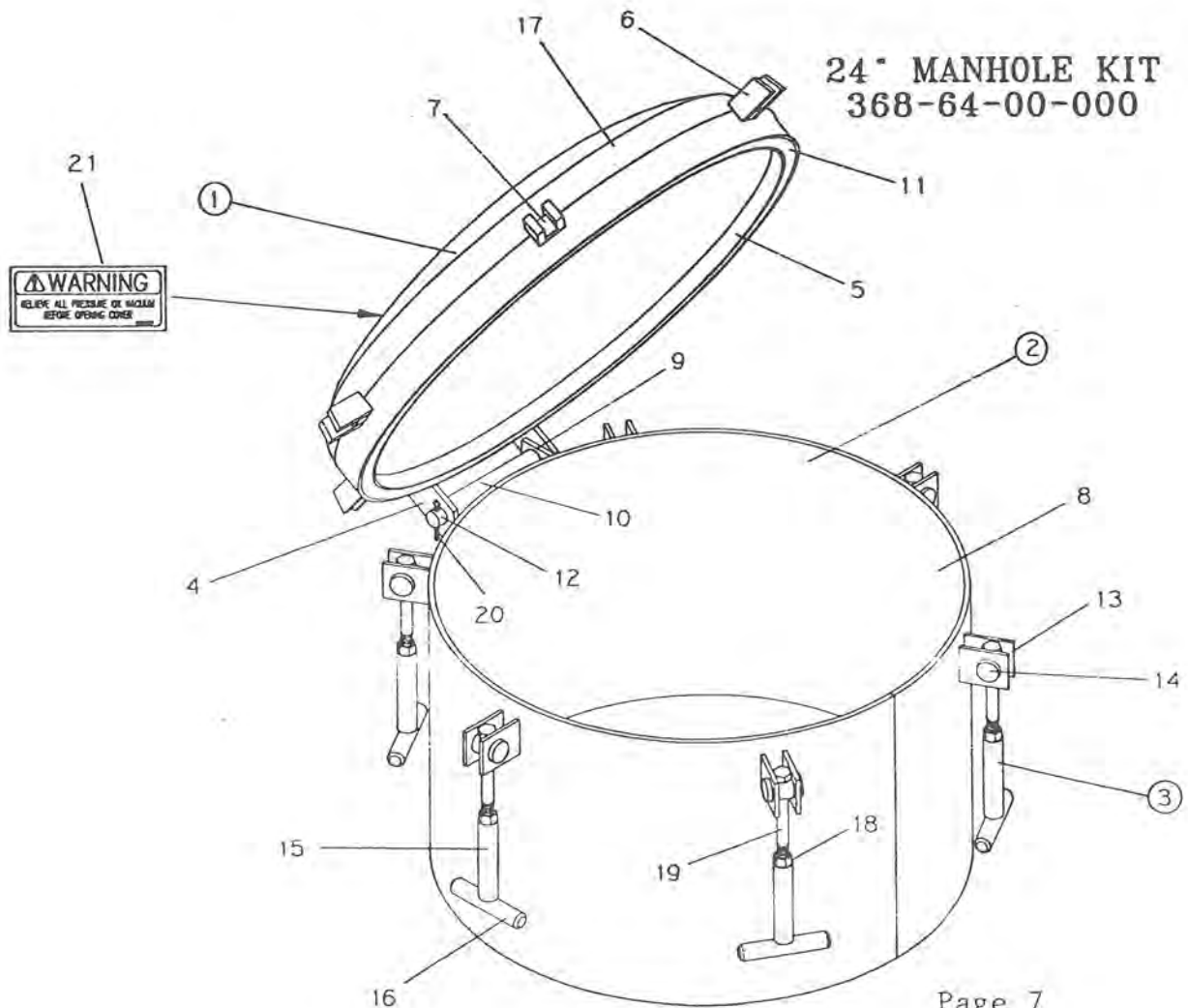
5	368-64-60-302	Angle Ring	1
6	368-03-00-028	Clamp Lug	12
7	368-03-00-148	Clamp Lug Stop	6
8	368-64-61-303	Manhole	1

9	368-64-61-304	Lower Hinge Lug	2
10	368-64-61-305	Lower Hinge Lug Sleeve	1
11	368-64-00-306	Rubber Seal	1
12	368-64-00-307	Pin	1

13	368-01-04-018	Bolt Holder Lug	12
14	368-00-00-032	Bolt Holder	6
15	368-50-00-228	Handle Tube	6
16	368-50-00-227	Handle Cross Bar	6

17	100080	24" Domed Head	1
18	R07785	1/2-13 UNC Hex Nut	6
19	R07644	1/2-13 UNC x 5 Hex Bolt	6
20	R08002	5/32 x 1 1/2 Cotter Pin	2

21	R09783	"Caution" Decal	1



1	368-25-20-000	PRIMARY MOISTURE TRAP	1
2	368-25-21-000	OUTER TUBE ASSY	1
3	368-25-20-109	HEAD	1
4	368-25-20-110	SEAT HOLDER	1

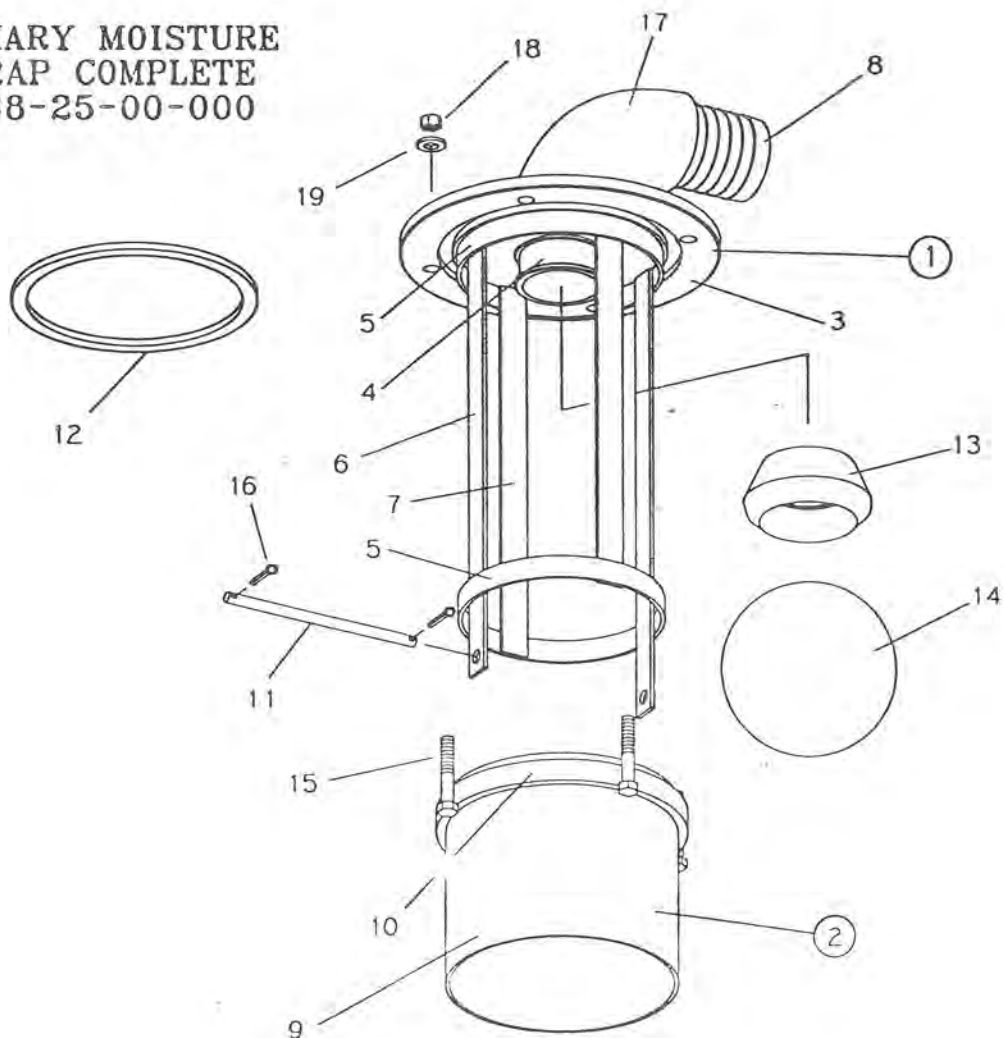
5	368-25-20-111	STRAP RETAINER RING	2
6	368-25-20-112	LONG STRAP	2
7	368-25-20-113	SHORT STRAP	2
8	368-25-20-327	HALF 3" BARBED CONNECTOR	1

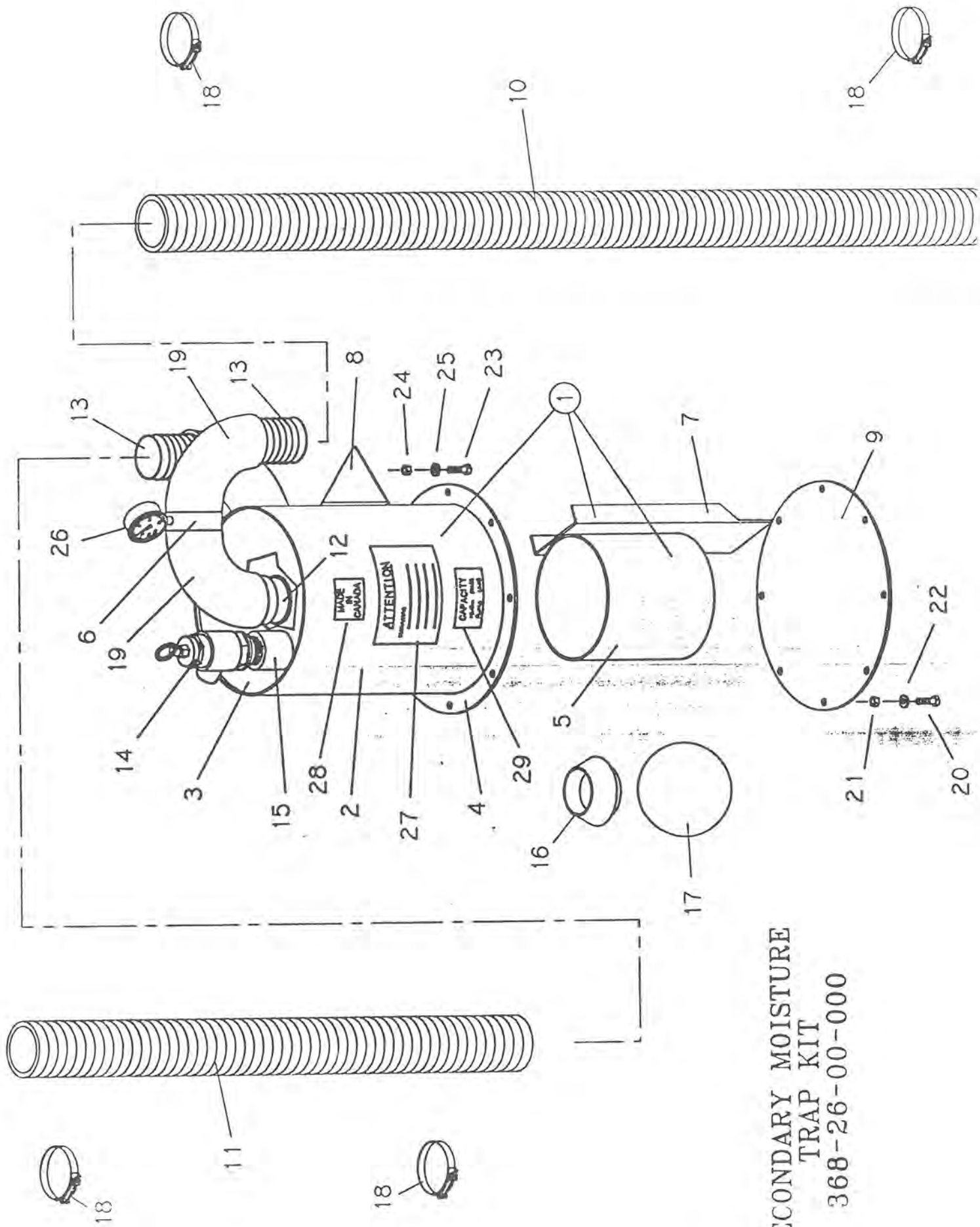
9	368-25-21-117	OUTER TUBE	1
10	368-25-21-118	OUTER TUBE RING	1
11	368-25-00-116	BALL RETAINING RING	1
12	368-25-00-115	RUBBER SEAL	1

13	R09857	RUBBER VALVE SEAT	1
14	R09856	6" DIA. STAINLESS STEEL BALL	1
15	R07631	7/16 X 2-1/2 HEX BOLT	4
16	R08021	1/8 X 1 S.S. COTTER PIN	2

17	R02448	3" WELD ELBOW	1
18	R07784	7/16 HEX NUT	4
19	R07824	7/16 FLAT WASHER	4

**PRIMARY MOISTURE
TRAP COMPLETE
368-25-00-000**

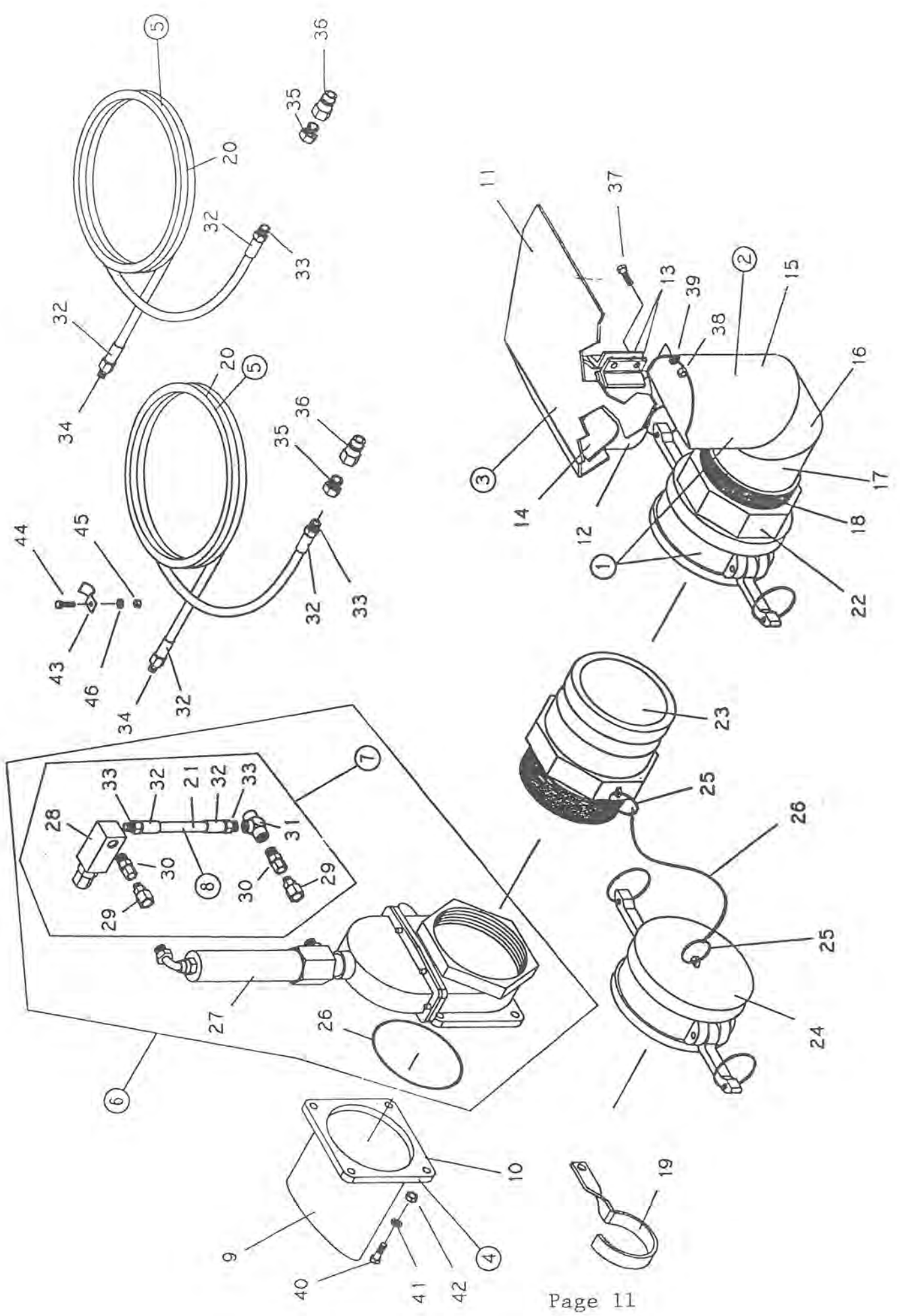




SECONDARY MOISTURE
TRAP KIT
368-26-00-000

SECONDARY MOISTURE TRAP KIT

<u>KEY</u>	<u>PART NUMBER</u>	<u>DESCRIPTION</u>	<u>QTY</u>
1	368-26-22-000	SECONDARY MOISTURE TRAP ASSY	1
2	368-26-22-119	SECONDARY TRAP TUBE	1
3	368-26-22-120	SECONDARY TRAP LID	1
4	368-26-22-121	FLANGE	1
5	368-26-22-122	SECONDARY INNER TUBE	1
6	368-26-22-123	ELBOW EXTENSION TUBE	1
7	368-26-22-273	SECONDARY TRAP BAFFLE	1
8	368-26-22-128	MOISTURE TRAP BRKT	1
9	368-26-00-274	COVER PLATE	1
10	368-00-00-067	3" PRESSURE VAC HOSE LONG 12,14,18000L	1
	367-00-00-151	3" PRESSURE VAC HOSE LONG 9000L	1
	366-00-00-150	3" PRESSURE VAC HOSE LONG 7000L	1
11	368-00-00-068	3" PRESSURE VACUUM HOSE SHORT	1
12	368-25-20-110	SEAT HOLDER	1
13	368-25-20-114	3" HALF BARBED CONNECTOR	2
14	R09910	PRESSURE RELIEF VALVE	1
15	R02063	1 1/2" COUPLING	1
16	R09857	VALVE SEAT	1
17	R09856	6" PLASTIC BALL	1
18	R02480	3" BAUER SUPER CLAMP	4
19	R02448	3" WELD ELBOW	3
20	R07619	3/8 X 1 HEX BOLT	8
21	R07783	3/8 HEX NUT	8
22	R07803	3/8 LOCK WASHER	8
23	R07638	1/2 X 1 1/2 HEX BOLT	3
24	R07785	1/2 HEX NUT	3
25	R07805	1/2 LOCK WASHER	3
26	R09833	PRESSURE VACUUM GAUGE	1
27	R09733	VAC PUMP INSTRUCTIONS	1
28	R09509	"MADE IN CANADA" DECAL	1
29	R09512	CAPACITY STICKER	1



<u>KEY</u>	<u>PART NUMBER</u>	<u>DESCRIPTION</u>	<u>QTY</u>
1	372-08-00-000	Coupler & Elbow Kit - Camloc	1
2	372-08-05-000	Elbow Assy for Camloc	1
3	364-21-00-000	Splash Plate Assy	1
4	368-01-28-000	Rear Extension Nipple Assy	1
5	369-84-00-000	Hydraulic Hose Assy	2
6	368-81-00-000	6" Hyd Valve w/ Relief Kit	1
7	368-75-00-000	Relief Valve & Hose Kit	1
8	368-75-74-000	Hydraulic Hose Assy - Restrictor	1
9	368-01-28-169	Rear Extension Nipple	1
10	368-01-72-351	Valve Flange	1
11	364-21-00-069	Splash Plate	1
12	364-21-00-070	Clamping Tube	1
13	364-21-00-071	Clamping Tube Bracket	2
14	368-21-00-224	Splash Plate Wing	2
15	364-25-00-067	Discharge Pipe End Pc	1
16	364-19-00-082	Discharge Pipe Corner Pc	1
17	364-25-00-088	Discharge Pipe Bottom Pc	1
18	372-08-05-043	Half Nipple	1
19	372-00-00-044	Hook For Camloc	1
20	369-38-00-160	Hydraulic Hose	2
21	368-75-74-355	Restrictor Hydraulic Hose	1
22	R02801	Part "D" Coupler - 6" Camloc	1
23	R02803	Part "F" Adaptor - 6" Camloc	1
24	R02804	Dust Cap - 6" Camloc	1
25	R08200	1 1/2" Rings	2
26	R10300	6" Flange "O" Ring	1
27	R10208	6" Brass Gate Valve	1
28	R21201	Relief Valve	1
29	R21317	M18 - 1.5F to 9/16-18 JIC M.	2
30	R21316	65558 3/8 NPT x 9/16-18 JIC M.	2
31	R21400	3/8 Solid Hyd Tee	1
32	R21231	Ferrule	6
33	R20803	3/8 NPT Solid Male Stem	4
34	R20806	3/8 NPT Swivel Male Stem	2
35	R02083	1/2 x 3/8 Bushing	2
36	R21342	Pioneer Coupler	2
37	R07622	3/8 x 2 1/2 Hex Bolt	2
38	R07783	3/8 Hex Nut	2
39	R07803	3/8 Lock Washer	2
40	R07638	1/2 x 1 1/2 Hex Bolt	4
41	R07805	1/2" Lock Washer	4
42	R07785	1/2" Hex Nut	4
43	R09778	Hydraulic Hose Clamp	4
44	R07698	1/4 x 1/2 Hex Bolt	4
45	R07781	1/4" Hex Nut	4
46	R07801	1/4" Lock Washer	4

SUCTION HOSE

<u>KEY</u>	<u>PART NUMBER</u>	<u>DESCRIPTION</u>	<u>QTY</u>
1	368-51-00-000	6" Manual Valve w/Handles	1
2	368-87-00-000	Valve Handle Assy	1
3	372-09-00-000	15 Ft. Suction Hose Kit w/Camloc	1
4	368-12-00-000	Suction Hose Pipe Assy	1

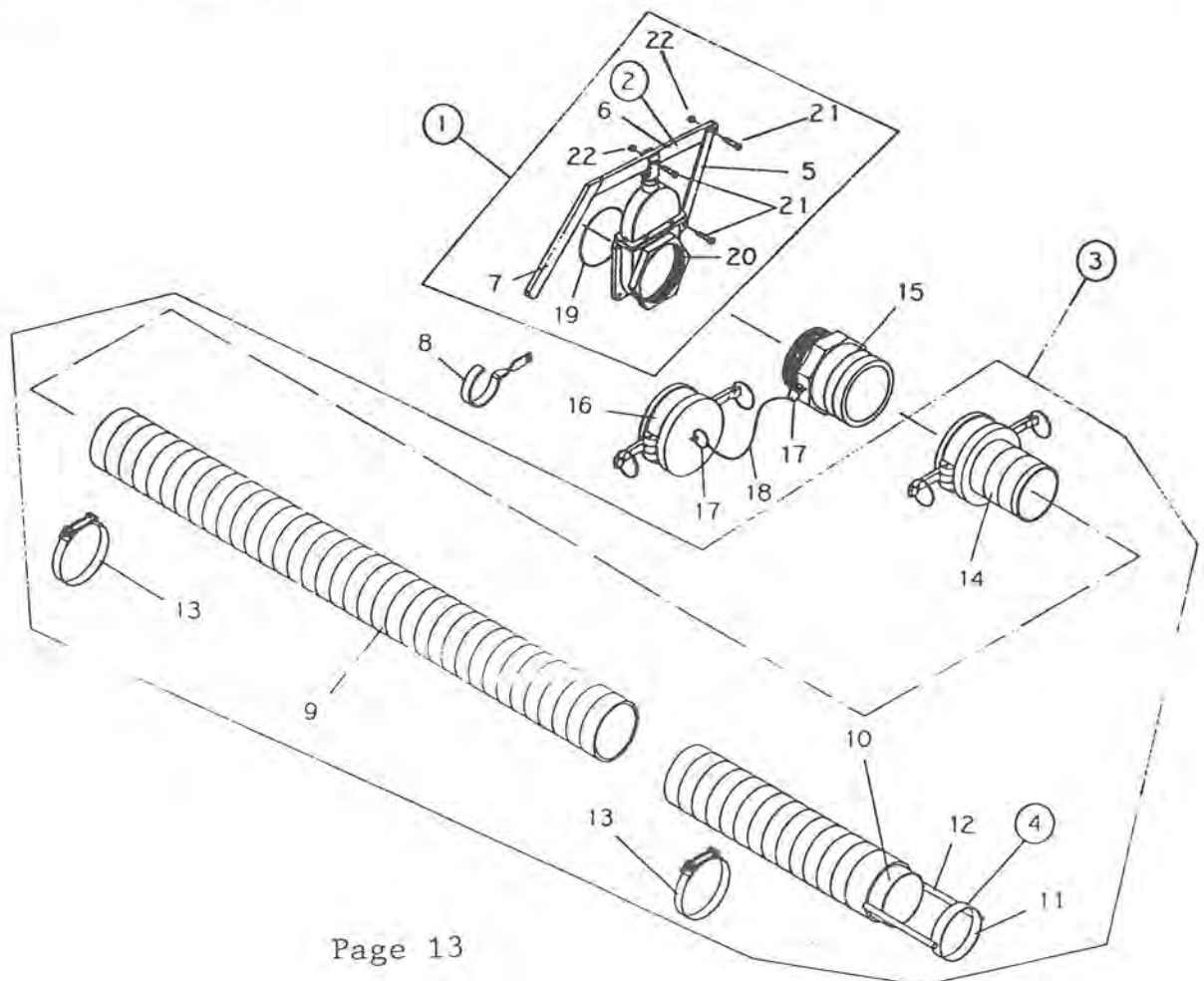
5	368-00-00-094	Valve Handle Brace	1
6	368-87-00-358	Valve Handle Upper Pc	1
7	368-87-00-359	Valve Handle Lower Pc	1
8	372-00-00-044	Hook For Camloc	1

9	368-00-00-066	15 Ft. Suction Hose	1
10	368-12-00-063	Suction Hose Pipe	1
11	368-12-00-064	Suction Hose Lower Pipe	1
12	368-12-00-065	Reinforcing Bars	2

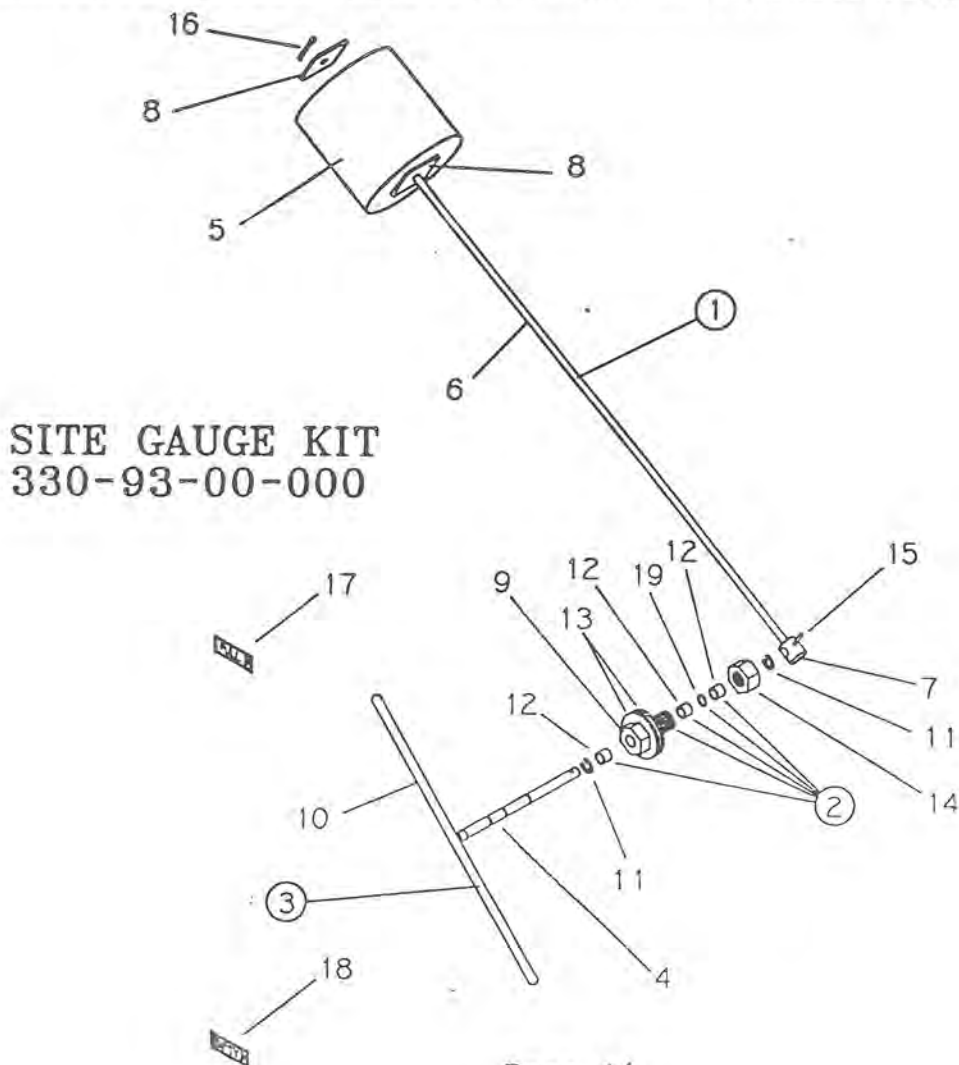
13	R02482	6" Super Clamp	2
14	R02800	Part "C" Shank Coupler- 6"Camloc	1
15	R02803	Part "F" Adaptor - 6" Camloc	1
16	R02804	Dust Cap - 6" Camloc	1

17	R08200	1 1/2" Rings	2
18	R08099	4 mm Coil Chain	1
19	R10300	6" Flange "O" Ring	1
20	368-00-00-165	6" Manual Valve w/ Yoke	1

21	R07620	3/8 x 1 1/2 Hex Bolt	3
22	R07886	3/8 Lock Nut	3



KEY	PART NUMBER	DESCRIPTION	QTY
1	330-93-30-000	FLOAT ARM ASSY	1
2	330-93-31-000	BRONZE BRG HOLDER ASSY	1
3	330-93-32-000	INDICATOR ARM ASSY	1
4	330-93-32-374	CONNECTOR SHAFT	1
5	330-93-00-375	FLOAT	1
6	330-93-30-376	FLOAT ARM	1
7	330-93-30-377	BOSS	1
8	330-93-30-378	FLOAT STRAPS	2
9	330-93-31-379	BRONZE BEARING HOLDER	1
10	330-93-32-424	INDICATOR ARM	1
11	R07974	EXTERNAL RETAINING RING	2
12	R21173	1/2 X 5/8 X 1/2 BRONZE BUSHING	3
13	R07828	1" FLAT WASHER	2
14	R07788	1" HEX NUT	1
15	R07950	3/16 X 1-1/4 ROLL PIN	1
16	R08021	1/8 X 1 S.S. COTTER PIN	1
17	R09529	"FULL" STICKER	1
18	R09530	"EMPTY" STICKER	1
19	R20865	1/2 X 5/8 X 1/16 O-RING	1



HYDRAULIC VACUUM HATCH KIT

KEY	PART NUMBER	DESCRIPTION	QTY
1	368-54-52-000	Vacuum Lid Assembly	1
2	368-54-62-000	Cross Shaft & Dog Assy	1
3	368-54-54-000	Manhole Assy	1
4	368-54-62-308	Locking Dog	2

5	R21176	2 3/16IDx2 3/8ODx1 1/2 Long Bush.	2
6	368-54-52-276	Hinge	2
7	368-54-52-577	Lid	1
8	368-54-52-278	Lid Sleeve	1

9	368-54-53-310	Bushing Holder Plate	2
10	368-54-53-280	Bushing Holder	2
11	368-54-00-281	Hinge Pin	1
12	368-54-54-282	Manhole	1

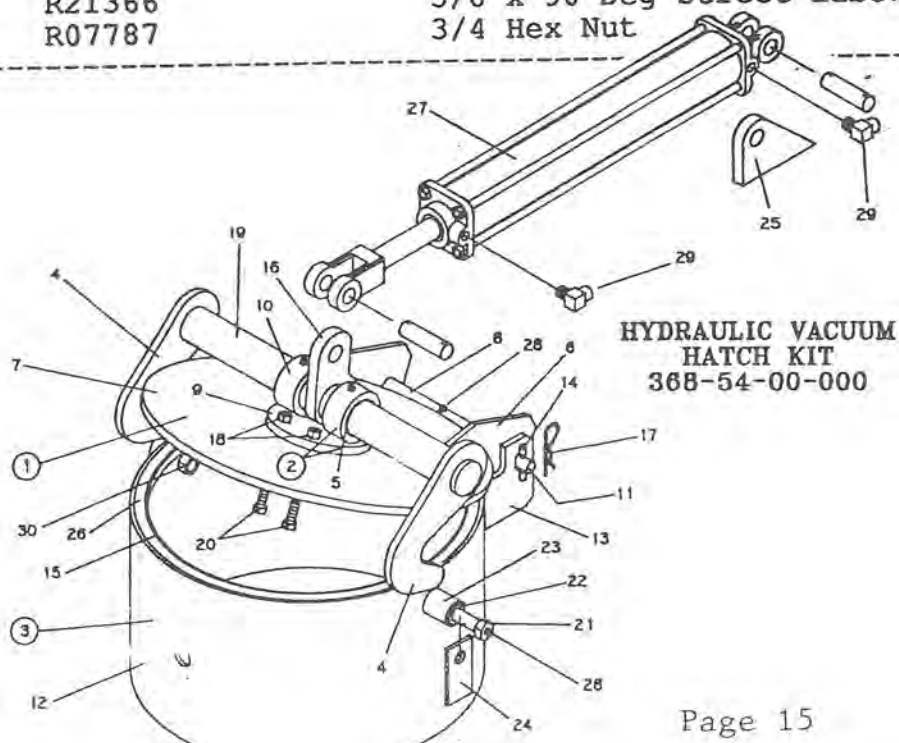
13	368-54-54-283	Hinge Brkt	2
14	368-54-54-284	Hinge Brkt Sleeve	2
15	368-54-54-285	Angle Ring	1
16	368-54-00-286	Pivot Brkt	1

17	R07948	Hair Pin	1
18	R07785	1/2 Hex Nut	4
19	368-54-62-309	Cross Shaft	1
20	R07639	1/2 x 2 Hex Bolt	4

21	368-54-00-291	Locking Bolt	2
22	368-54-00-292	Locking Shaft	2
23	368-54-00-293	Roller Sleeve	2
24	368-54-00-294	Locking Bolt Support	2

25	368-54-00-295	Cylinder Brkt	1
26	368-03-00-030	Manhole Hatch Seal	1
27	R20732	2 x 20 Hyd Cylinder	1
28	R08183	Grease Fittng 1/4-28 UNF Straight	5

29	R21366	3/8 x 90 Deg Street Elbow	2
30	R07787	3/4 Hex Nut	2



<u>KEY</u>	<u>PART NUMBER</u>	<u>DESCRIPTION</u>	<u>QTY</u>
1	R21424	M-310 ELECTRIC HYDRAULIC UNIT	1
2	R04056	4 GA BATTERY CABLE - LIVE	3m
3	R04056	4 GA BATTERY CABLE - GROUND	1m
4	R04063	COPPER WIRE END FOR CABLE	4
5	R21334	1/4" M X 3/8" F 90 DEG SWV FITTING	2

272-10-00-000
ELECTRIC HYDRAULIC UNIT

