

office copy
Aug 17/88
Nov 1/88 20 made
10 made

DATE PURCHASED _____ MACHINE SERIAL NO. _____

SIZE OF PUMP _____ OPTIONS _____

PLEASE NOTE:

The key number system in this parts book is arranged as follows:

- 0 --Key number with one circle denotes main assemblies
- Key numbers not circled are individual parts

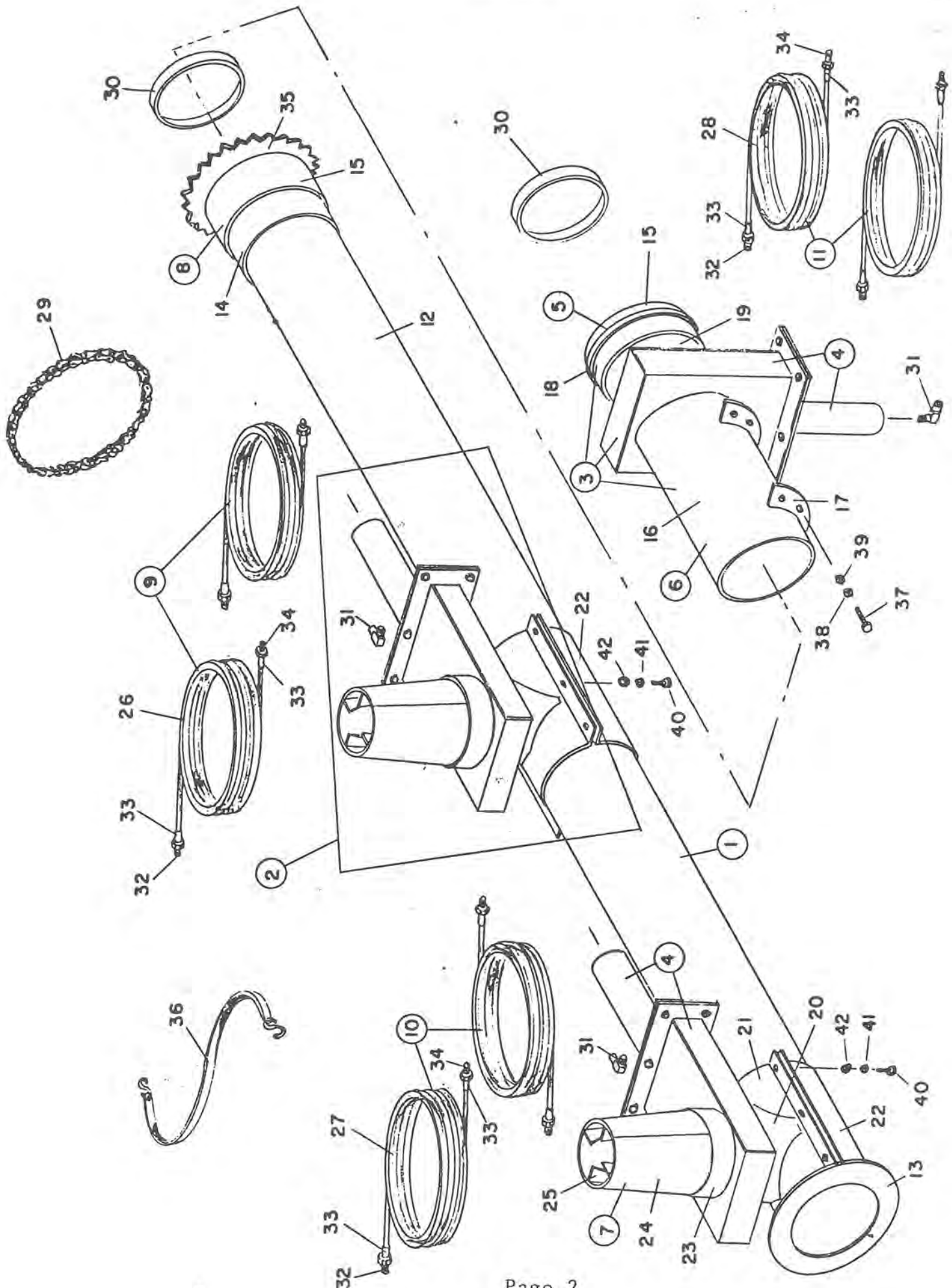
Please order parts by number

H5000

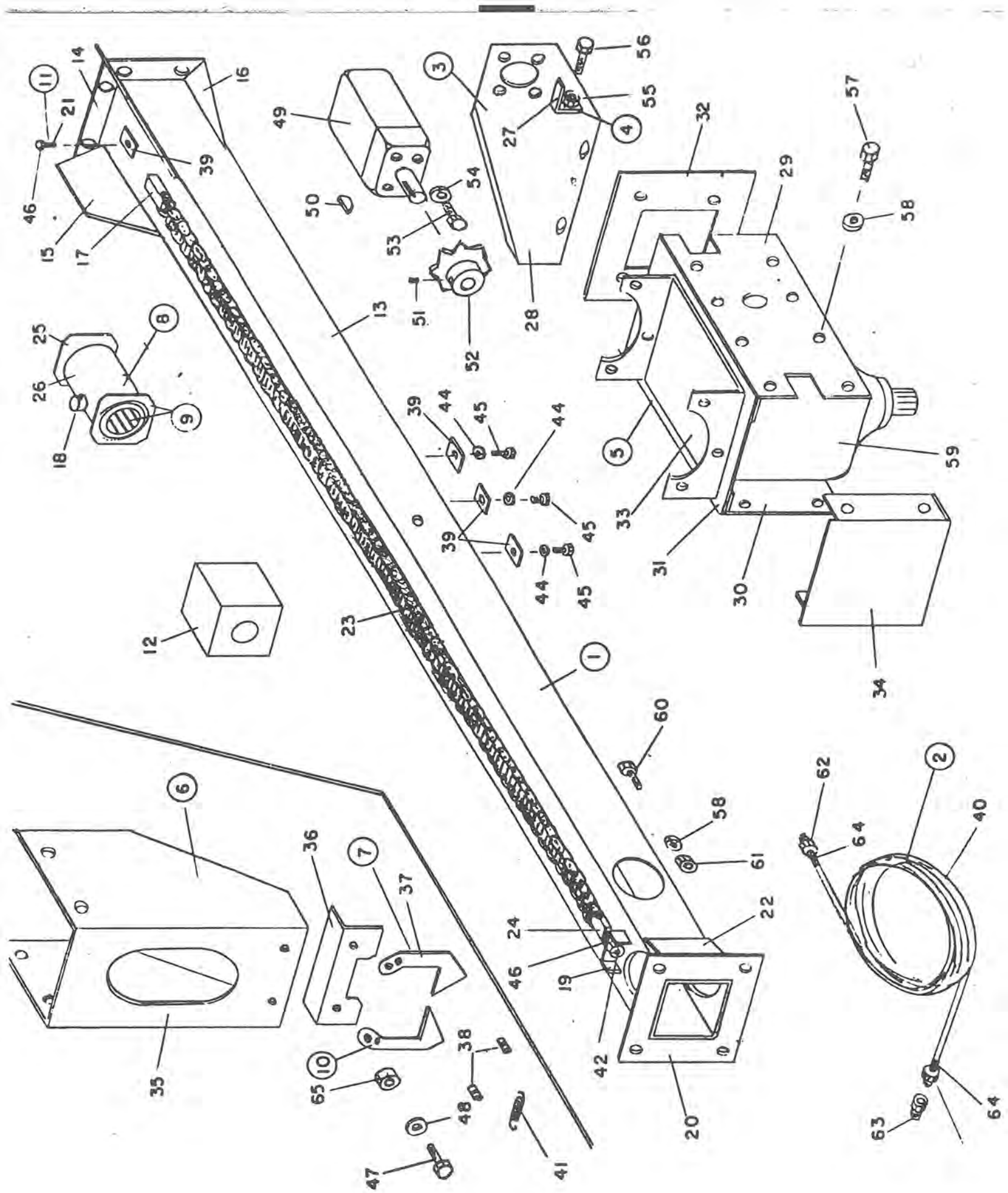
HUSKY LIQUID MANURE PUMP

OPERATING INSTRUCTIONS:

1. Do not leave pump in manure pit - remove pump from pit-wash off and cover with old oil or diesel fuel.
2. Do not overrev. tractor while pumping as discharge spout will lift into the air. If pumping fast tie down spout.
3. The (urethane) marine bearing at the bottom of the pump is lubricated with manure or water. If the level of the liquid is below the bearing and you are running for long periods put a water hose in the top of standpipe.
4. Always fill all hydraulic motors and cylinders with oil before installing in pit.
5. EXTREME DANGER - Never enter a dirty Manure Spreader or Storage Tank - one breath of Hydrogen Sulfide Gas is enough to kill. Have a ladder in your pit, so that if by accident you should fall in, you can get out again. Keep all lids closed and open pits fenced to keep children and animals out.
6. For open centre hydraulic tractors, remove adaptor in right hand end of hydraulic valve and put in plug that is supplied with pump.

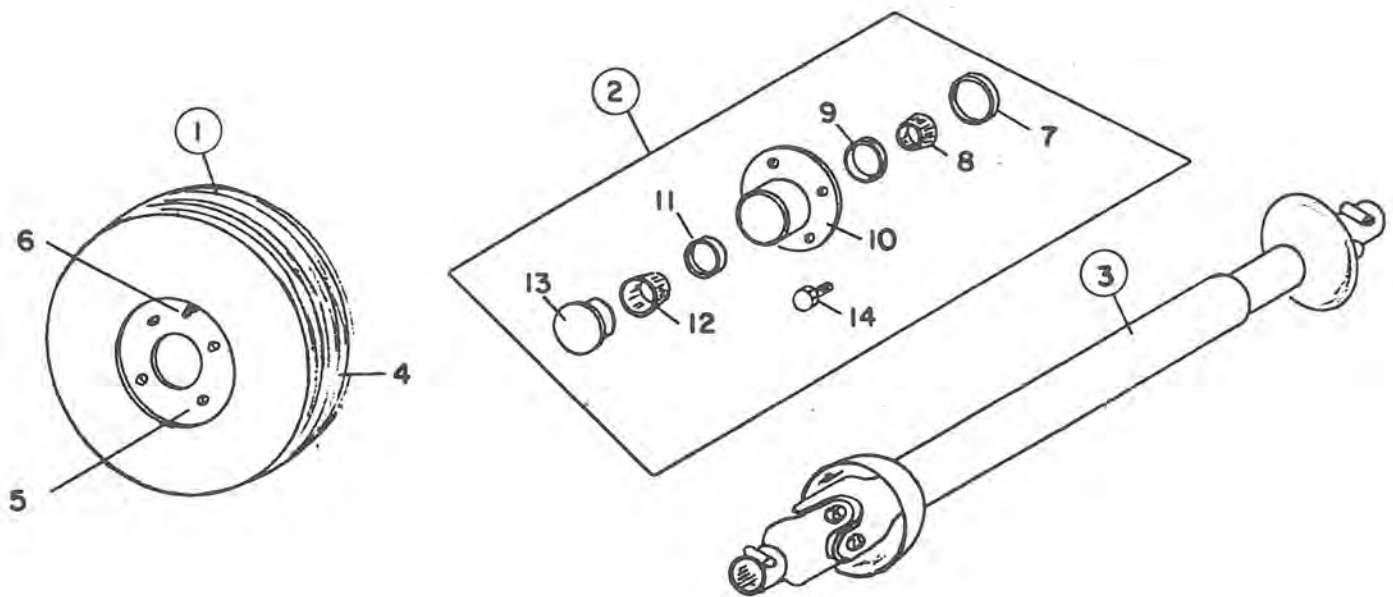


KEY	PART NUMBER	DESCRIPTION	QTY
1	242-90-00-000	STANDPIPE ASSY - 8FT PUMP	1
	244-91-00-000	STANDPIPE ASSY - 10FT PUMP	1
	246-92-00-000	STANDPIPE ASSY - 12FT PUMP	1
2	242-93-00-000	VALVE CYLINDER & CONE ASSY COMPLETE	2
3	242-95-00-000	UPPER STANDPIPE & VALVE ASSY	1
4	242-36-00-000	VALVE & CYLINDER ASSY	3
5	242-10-11-000	UPPER EXTENSION PIPE ASSY	1
6	242-10-10-000	UPPER FIXED STANDPIPE ASSY	1
7	242-93-23-000	CONE ASSY	2
8	242-09-09-000	LOWER EXTENSION PIPE ASSY	1
9	242-40-00-000	HYD HOSE A.-CONTROL TO TOP TEE- 8FT.	2
	244-46-00-000	HYD HOSE A.-CONTROL TO TOP TEE-10 & 12FT.	2
10	242-41-00-000	HYD HOSE A.-CONTROL TO BOTTOM TEE - 8FT.	2
	244-47-00-000	HYD HOSE A.-CONTROL TO BOTTOM TEE -10FT.	2
	246-52-00-000	HYD HOSE A.-CONTROL TO BOTTOM TEE -12FT.	2
11	242-39-00-000	HYD HOSE A.-CONTROL TO DISCHARGE - 8FT.	2
	244-45-00-000	HYD HOSE A.-CONTROL TO DISCHARGE -10FT.	2
	246-51-00-000	HYD HOSE A.-CONTROL TO DISCHARGE -12FT.	2
12	242-90-00-216	STANDPIPE - 8FT. PUMP	1
	244-91-00-217	STANDPIPE - 10FT. PUMP	1
	246-92-00-218	STANDPIPE - 12FT. PUMP	1
13	242-04-04-026	STANDPIPE RING	1
14	242-09-09-048	EXTENSION PIPE	1
15	242-09-09-049	COUPLING BASE	2
16	242-10-10-052	FIXED UPPER STANDPIPE	1
17	242-10-10-053	STANDPIPE HOLD DOWN BRKT	2
18	242-10-11-054	HOOK RING	1
19	270-01-18-134	VALVE EXTENSION PIPE	1
20	242-93-00-219	TEE SIDE	2
21	242-93-00-220	CONE CLAMP ON BRKT	2
22	242-00-00-221	CLAMP ON BRKT	2
23	242-93-23-224	CONE MOUNT	2
24	242-93-23-226	CONE	4
25	242-07-00-046	CONE RIBS	8
26	242-40-00-164	HYD HOSE - 8FT. PUMP	2
	244-46-00-171	HYD HOSE - 10FT. & 12FT. PUMP	2
27	242-41-00-160	HYD HOSE - 8FT. PUMP	2
	244-47-00-172	HYD HOSE - 10FT. PUMP	2
	246-52-00-178	HYD HOSE - 12FT. PUMP	2
28	242-39-00-163	HYD HOSE - 8FT. PUMP	2
	244-45-00-170	HYD HOSE - 10FT. PUMP	2
	242-35-00-159	HYD HOSE - 12FT. PUMP	2
29	242-00-00-137	#50 ROLLER CHAIN COMPLETE WITH C/L	1
30	R02360	STANDPIPE GASKET	2
31	R21366	3/8" STEEL ELBOW	3
32	R20803	3/8-18 NPT SOLID STEM - M	6
33	R20805	FERRULES	12
34	R20806	3/8-18 NPT SWIVEL STEM - M	6
35	R20610	AGITATOR TURN SPROCKET	1
36	R09533	RUBBER STRAP - 8FT. PUMP	1
		RUBBER STRAP -10FT. & 12FT. PUMP	2
37	R07674	1/2 X 1 1/4 HEX HD BOLT	6
38	R07805	1/2 LOCK WASHER	6
39	R07785	1/2 HEX NUT	6
40	R07629	7/16 X 1 1/2 HEX HD BOLT	12
41	R07804	7/16 LOCK WASHER	12
42	R07784	7/16 HEX NUTS	12

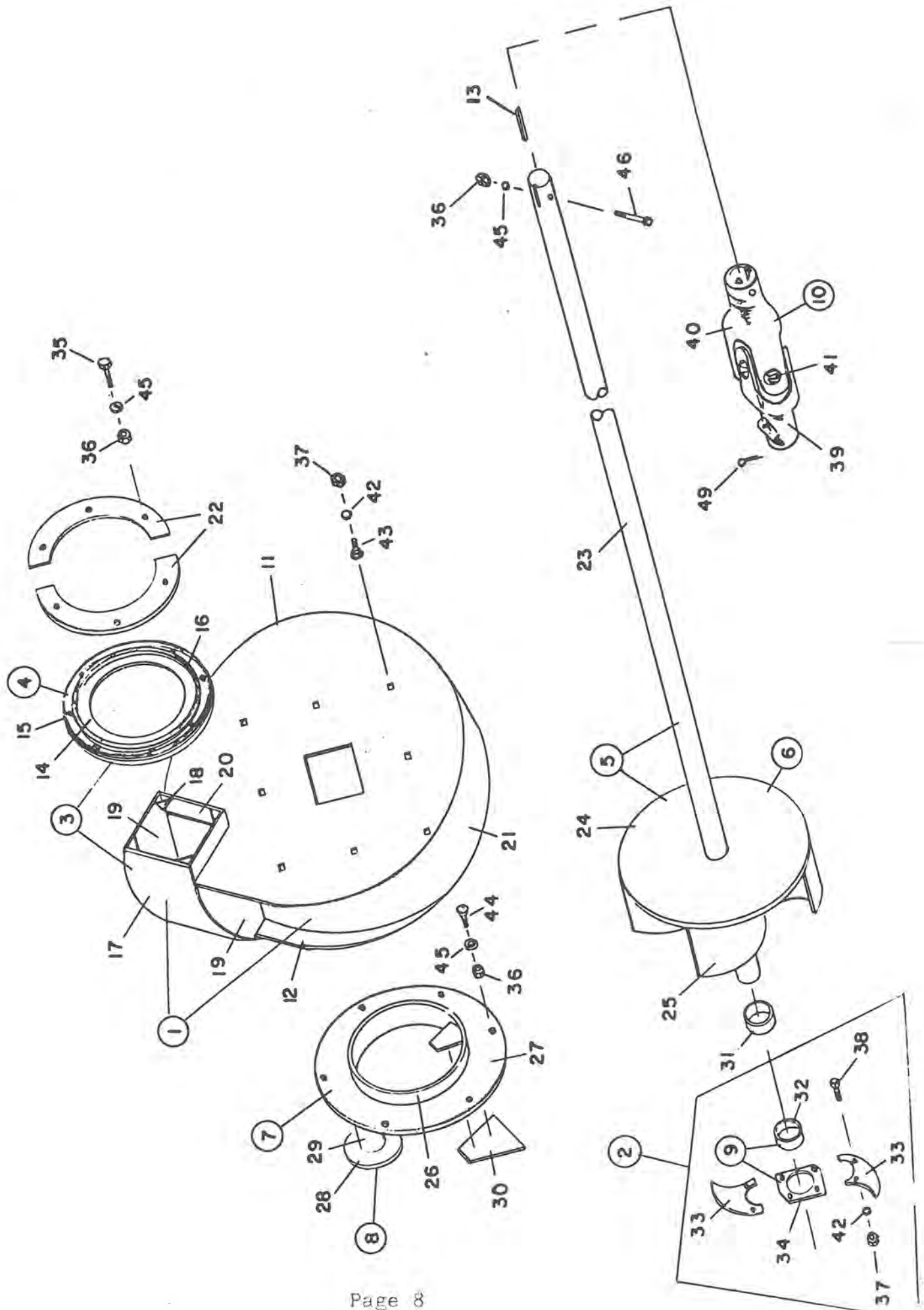


KEY	PART NUMBER	DESCRIPTION	QTY
1	242-82-00-000	SHAFT TUBE ASSY. - 8FT. PUMP	1
	244-83-00-000	SHAFT TUBE ASSY. - 10FT. PUMP	1
	246-84-00-000	SHAFT TUBE ASSY. - 12FT. PUMP	1
2	242-37-00-000	HYD HOSE ASSY - CONTROL TO ROTATE - 8 FT	2
	242-39-00-000	HYD HOSE ASSY - CONTROL TO ROTATE - 10 FT	2
	244-45-00-000	HYD HOSE ASSY - CONTROL TO ROTATE - 12 FT	2
3	242-13-00-000	CHAIN TIGHTNER ASSY COMPLETE	1
4	242-13-12-000	ROLLER CHAIN TIGHTNER ASSY	1
5	242-14-00-000	GEAR BOX ASSY	1
6	242-15-00-000	PTO GUARD ASSY	1
7	242-16-00-000	R H STABLIZER BRKT ASSY	1
8	242-22-27-000	MARINE BRG HOLDER ASSY	1
9	242-22-00-000	MARINE BRG AND HOLDER COMPLETE	1
10	242-96-00-000	L H STABLIZER BRKT ASSY	1
11	242-80-00-000	SS SET SCREW ASSY - LONG	1
12	R20235	1 7/8 SQ WOOD BRG	1
13	242-82-00-203	SHAFT TUBE - 8FT. PUMP	1
	244-83-00-205	SHAFT TUBE - 10FT. PUMP	1
	246-84-00-206	SHAFT TUBE - 12FT. PUMP	1
14	242-82-00-204	LOWER SHAFT TUBE FLANGE	1
15	242-11-00-057	GUSSET STOP PLATE	2
16	242-11-00-058	SHAFT TUBE GUSSET	2
17	242-11-00-059	CHAIN HOLD DOWN BRKT	1
18	242-22-27-236	SLEEVE SET SCREW PIPE	1
19	242-11-00-061	TIGHTENER BRKT	1
20	242-11-00-062	DRIVE SHAFT TUBE END PLATE	1
21	242-80-00-202	SS SET SCREW REDDI ROD - LONG	1
22	242-11-00-064	TUBE GUSSET	2
23	242-00-00-065	LIFT CHAIN - 8FT. PUMP	1
	244-00-00-169	LIFT CHAIN - 10FT. PUMP	1
	246-00-00-177	LIFT CHAIN - 12FT. PUMP	1
24	242-00-00-066	CHAIN TIGHTENER	1
25	242-22-27-235	BRG HOLDER PLATE	2
26	250-76-34-180	MARINE BRG HOLDER	1
27	242-13-12-069	ROLLER CHAIN TIGHTENER BRKT	1
28	242-13-00-070	HYD MOTOR MOUNT	1
29	242-14-00-071	R H GEARBOX MOUNT PLATE	1
30	242-14-00-072	L H GEARBOX MOUNT PLATE	1
31	242-14-00-073	GEARBOX PLATE	1
32	242-14-00-074	GEARBOX LOWER PLATE	1
33	242-14-00-075	STANDPIPE SADDLE	1

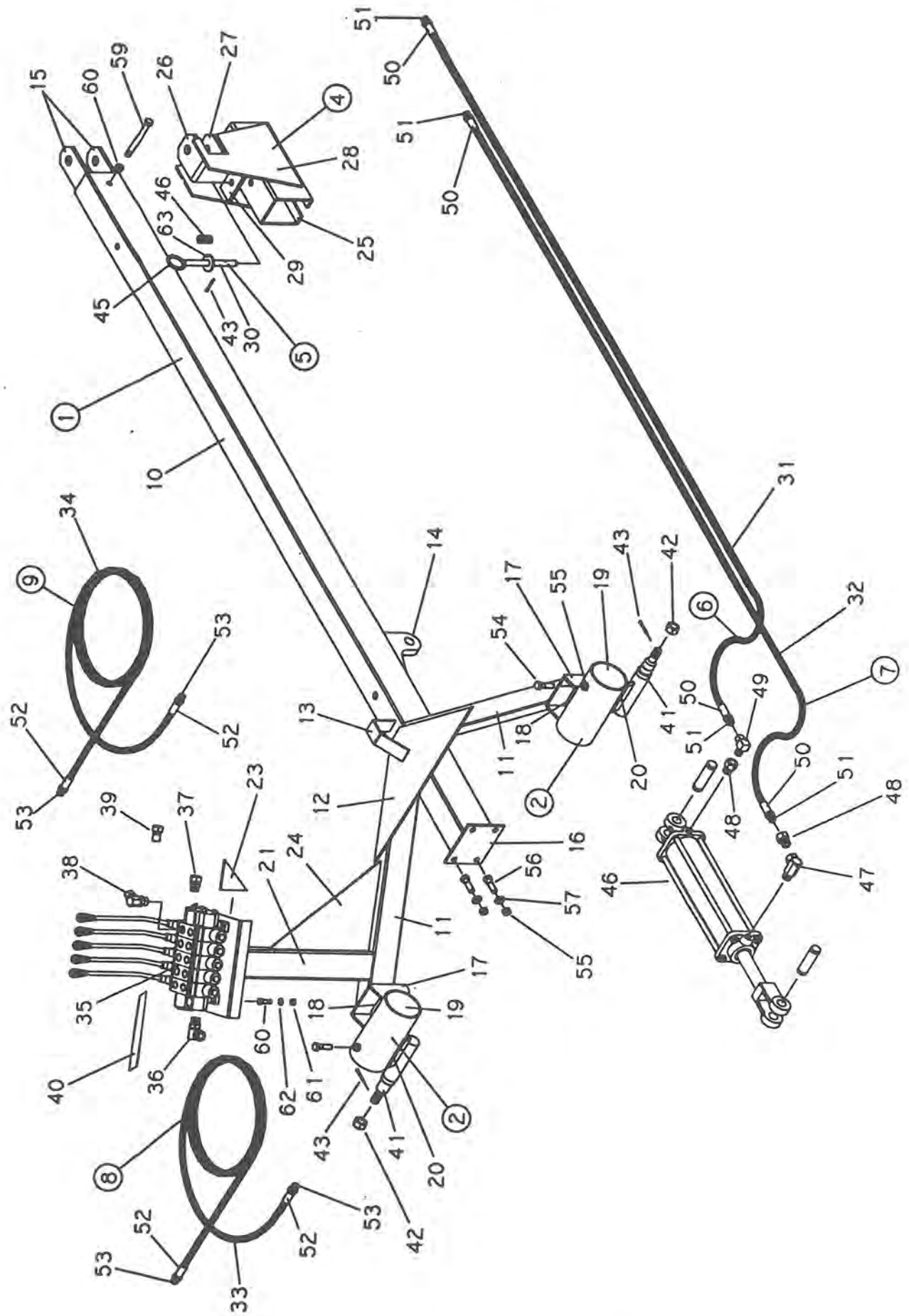
KEY	PART NUMBER	DESCRIPTION	QTY
34	242-00-00-076	GEAR BOX END PLATE (1000 RPM ONLY)	1
35	242-15-00-077	PTO GUARD	1
36	242-15-00-078	PTO GUARD REINFORCING ANGLE	1
37	242-16-00-079	STABLIZER BRKT	2
38	242-16-00-080	SPRING RETAINING ROD	2
39	250-05-00-126	SS SET SCREW LUG	4
40	242-37-00-161	HYD HOSE-CONTROL TO ROTATE - 8FT. PUMP	2
	242-39-00-163	HYD HOSE-CONTROL TO ROTATE - 10FT. PUMP	2
	244-45-00-170	HYD HOSE-CONTROL TO ROTATE - 12FT. PUMP	2
41	R08025	STABLIZER BRKT SPRING	1
42	R07868	3/8-24 UNF X 1 1/2 SOCKET HD CAP SCREW	1
43	R20803	3/8-18 NPT SOLID STEM	2
44	R07805	1/2" LOCK WASHER	3
45	R07671	1/2 X 1 1/4 HEX BOLT	3
46	R07797	3/8 HEX NUT -24	1
47	R07671	7/16 X 1 HEX HD BOLT	2
48	R07824	7/16 FLAT WASHER	2
49	R20851	HYD MOTOR 101-1008	1
50	R11114	1 X 1/4 WOODRUFF KEY	1
51	R07903	1/4 X 3/8 SET SCREW	1
52	R20602	#50 B12 SPROCKET - 1" BORE	1
53	R07670	3/8 X 7/8 HEX HD BOLT	4
54	R07803	3/8 LOCK WASHER	4
55	R07785	1/2 HEX NUT	1
56	R07638	1/2 X 1 1/2 HEX HD BOLT	1
57	R07673	5/8 X 1 1/4 HEX HD BOLT	8
58	R07806	5/8 LOCK WASHER	12
59	R20536	A-100 GEARBOX	1
60	R07646	5/8 X 1 1/2 HEX HD BOLT	4
61	R07786	5/8 HEX NUT	4
62	R20806	3/8 -18 NPT SWIVEL STEM - M	2
63	R02043	1/2 X 3/8 BUSHING	2
64	R12315	FERRULES	4
65	R07891	7/16-2 WAY LOCK NUT	2



KEY	PART NUMBER	DESCRIPTION	QTY
1	250-65-00-000	TIRE & WHEEL ASSY -5.90 X 15	2
2	250-60-30-000	H-411 HUB COMPLETE	2
3	R20373	1480 SERIES PTO 540 RPM	*
	R20375	1480 SERIES PTO 1000 RPM	*
4	R20016	5.90 X 15 RIB IMPLEMENT TIRE	2
5	R20057	4.5 X 15 WHEEL - 4 BOLT	2
6	R20020	VALVE STEM	2
7	R20144	OIL SEAL	2
8	R20159	INNER CONE	2
9	R20129	INNER CUP	2
10	R20160	H-411 HUB	2
11	R20130	OUTER CUP	2
12	R20158	OUTER CONE	2
13	R20143	DUST CAP	2
14	R20145	WHEEL BOLTS - 1/2 - 20 X 1 1/4	8
		* OPTIONAL	



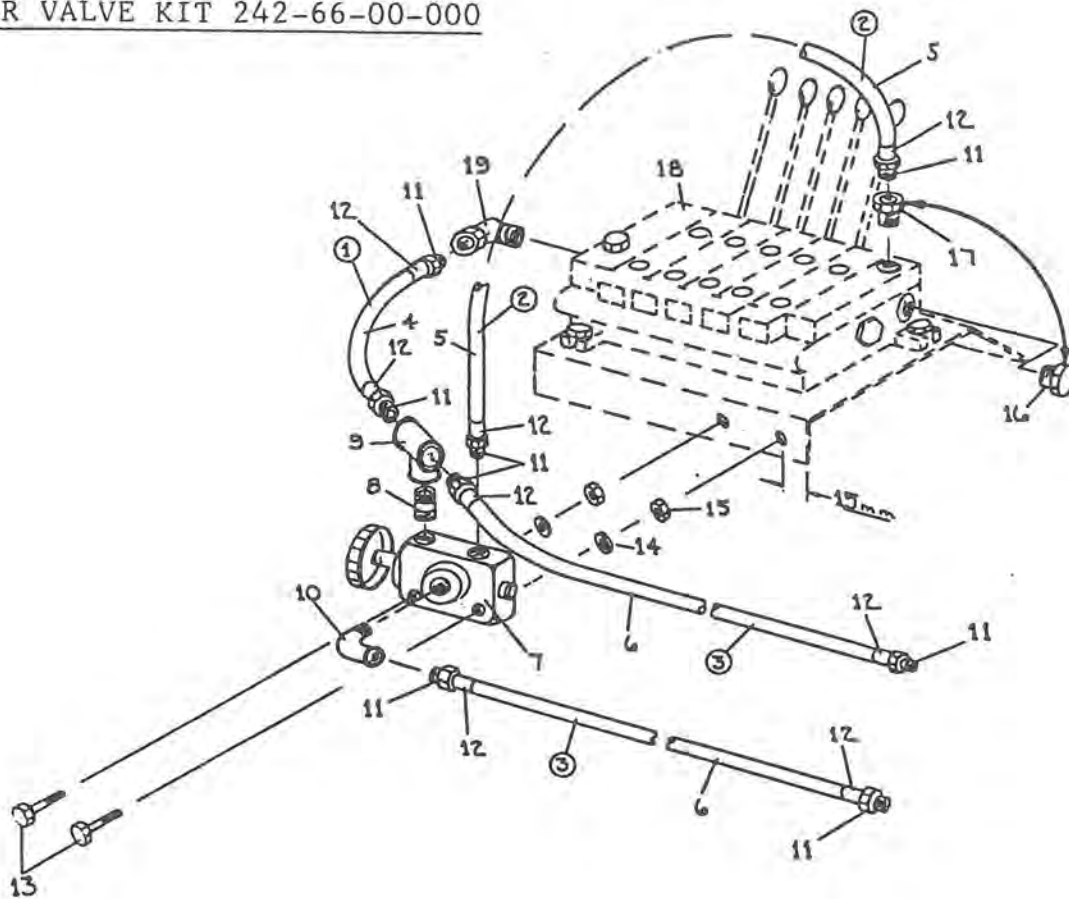
KEY	PART NUMBER	DESCRIPTION	QTY
1	242-88-00-000	FAN HOUSING ASSY	1
2	250-73-00-000	CUTTER BLADE KIT	1
3	242-88-20-000	BOOT ASSY	1
4	242-01-03-000	LOWER STANDPIPE SWIVEL ASSY	1
5	242-85-00-000	SHAFT & IMPELLER ASSY - 8FT. PUMP	1
	244-86-00-000	SHAFT & IMPELLER ASSY - 10FT. PUMP	1
	246-87-00-000	SHAFT & IMPELLER ASSY - 12FT. PUMP	1
6	242-85-24-000	IMPELLER ASSY	1
7	250-04-00-000	COVER PLATE ASSY	1
8	250-04-03-000	FOOT ASSY	1
9	250-73-32-000	CUTTER BLADE BRKT ASSY	1
10	242-54-00-000	KNUCKLE ASSY	1
11	242-88-00-210	UPPER FAN HOUSING	1
12	242-88-00-211	LOWER FAN HOUSING	1
13	280-00-00-046	3/8 X 3/8 X 2 KEY	1
14	242-01-03-011	BACK PLATE	1
15	242-01-03-012	OUTER BAND	1
16	242-01-03-013	INNER BAND	1
17	242-88-20-213	BOOT END PLATE	1
18	242-01-00-015	CORNER PEICES	4
19	242-88-20-214	SIDE PLATE	2
20	242-01-00-014	FILLER PLATE	1
21	242-88-00-212	HOUSING BAND	1
22	242-00-00-017	HALF RINGS	2
23	242-85-00-207	DRIVE SHAFT - 8FT PUMP	1
	244-86-00-208	DRIVE SHAFT - 10FT PUMP	1
	246-87-00-209	DRIVE SHAFT - 12FT PUMP	1
24	242-85-24-227	IMPELLER BACK PLATE	4
25	242-85-24-228	IMPELLER BLADE	4
26	250-04-00-010	INLET RING	1
27	250-04-00-011	COVER PLATE	1
28	250-04-03-012	FOOT END	1
29	250-04-03-013	FOOT	1
30	250-04-00-015	CUTTER PLATE	1
31	250-03-11-018	IMPELLER GUIDE RING	1
32	250-73-32-171	CUTTER BLADE RING	1
33	270-00-00-143	CUTTER BLADE	2
34	250-73-32-172	CUTTER BLADE BRKT	1
35	R07929	7/16 X 1 1/2 HEX HD BOLT	6
36	R07784	7/16 HEX NUT	13
37	R07783	3/8 HEX NUT	8
38	R07688	3/8 X 3/4 HEX HD BOLT	4
39	242-54-00-237	Q. D YOKE - 1 3/4 27 T	1
40	R20384	ROUND HOLE YOKE - 1 3/4	1
41	R20385	JOURNAL & BRG KIT	1
42	R07803	3/8 LOCK WASHER	8
43	R07721	3/8 X 1 CARRIAGE BOLT	8
44	R07731	7/16 X 1 CARRIAGE BOLT	6
45	R07804	7/16 LOCK WASHER	13
46	R07634	7/16 X 4 HEX HD BOLT	1
47	R07794	3/8 LOCK NUT	4
48	250-04-00-173	FOOT GUSSET	2
49	R08021	1/8 X 1 SS COTTER PIN	1



KEY	PART NUMBER	DESCRIPTION	QTY
1	242-89-00-000	TRAILER ASSY	1
2	242-18-14-000	ANGLE BRACE BRKT ASSY R H	1
	242-18-28-000	ANGLE BRACE BRKT ASSY L H	1
3	242-18-15-000	CONTROL VALVE STAND ASSY	1
4	242-99-00-000	HITCH ASSY	1
5	242-98-00-000	DROP PIN ASSY	1
6	242-35-00-000	HYDRAULIC HOSE ASSY - TRACTOR TO CYL	1
7	242-34-00-000	HYDRAULIC HOSE ASSY - TRACTOR TO CYL	1
8	242-71-00-000	HYDRAULIC HOSE ASSY - TRACTOR TO CYL	1
9	242-72-00-000	HYDRAULIC HOSE ASSY - TRACTOR TO CONTROL	1
10	242-18-00-092	TRAILER TUBE	1
11	242-18-00-093	FRAME TUBE BRACE	2
12	242-18-00-094	MAIN FRAME BUSSET	1
13	242-18-00-095	HITCH STOP	1
14	242-18-00-096	CYLINDER GUSSET	1
15	242-89-00-243	TRAILER TUBE TONGUE PLATE	2
16	242-18-00-099	TONGUE BRKT	1
17	242-18-14-100	AXLE BRACE BRKT	2
18	242-18-14-101	AXLE BRACE BRKT SUPPORT	2
19	242-18-00-102	OUTER SLEEVE	2
20	242-89-00-215	SPINDLE REINFORCING BAR	2
21	242-18-15-103	CONTROL VALVE STAND TUBE	1
22	242-18-15-104	CONTROL VALVE PLATE TUBE	1
23	242-18-15-105	CONTROL VALVE PLATE GUSSET	2
24	242-18-15-106	STAND TUBE GUSSET	1
25	242-99-00-238	HITCH BRKT	1
26	242-99-00-239	UPPER TONGUE PLATE	1
27	242-99-00-240	LOWER TONGUE PLATE	1
28	242-99-00-241	HITCH SIDE PLATE	2
29	242-99-00-242	PIN BRK	1
30	242-98-00-233	DROP PIN	1
31	242-35-00-159	1/4" HYDRAULIC HOSE	1
32	242-34-00-158	1/4" HYDRAULIC HOSE	1
33	242-71-00-188	1/2" HYDRAULIC HOSE	1
34	242-72-00-189	1/2" HYDRAULIC HOSE	1

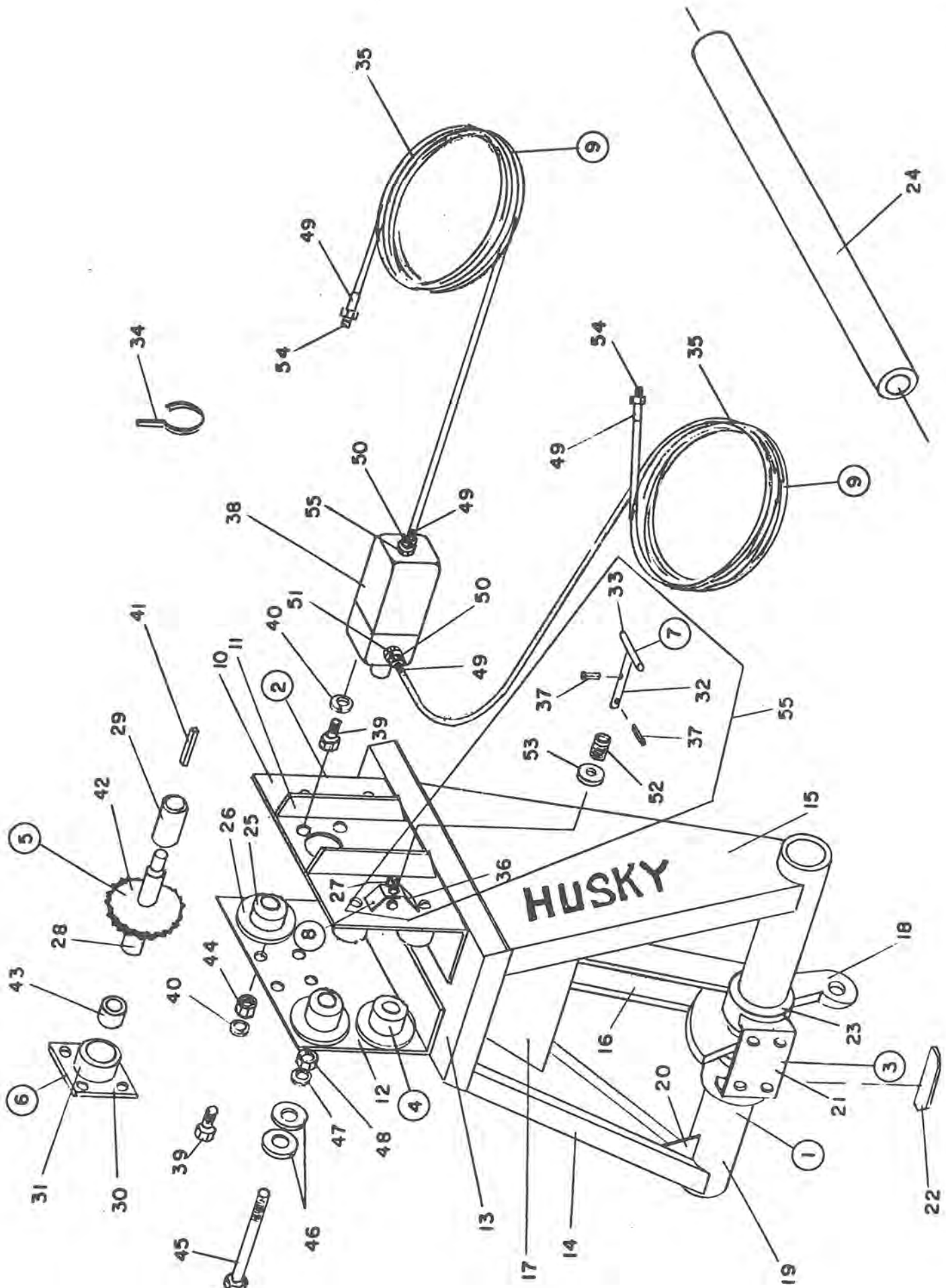
KEY	PART NUMBER	DESCRIPTION	QTY
35	R20794	5 BANK VALVE	1
36	R20814	3/4-16 SAE X 1/2 NPT 90 DEGREE SWIVEL ADAPTOR	1
37	R21276	3/4-16 SAE X 1/2 NPT SWIVEL ADAPTOR	1
38	R20826	3/4-16 SAE X 3/8 HPT 45 DEGREE SWIVEL ADAPTOR	10
39	213767	OPEN CENTRE PLUG	1
40	R09506	CONTROL VALVE STICKER	1
41	R20141	SPINDLE (COMPLETE W/NUT)	2
42	R20142	3/4-16 SLOTTED HEX NUT	2
43	R08002	5/32 X 1 1/2 COTTER PIN	3
44	R07925	1/4 X 1 1/2 PLATED RING	1
45	R08027	SPRING	1
46	R20729	3 X 14" HYDRAULIC CYLINDER	1
47	R21335	90 DEGREE RESTRICTOR	1
48	R02043	1/2 X 3/8 BUSHING	2
49	R21367	1/2 X 90 DEGREE STEEL STREET ELBOW	1
50	R20805	1/4" FERRULE	4
51	R20803	3/8-18 NPT SOLID MALE STEM	4
52	R21240	1/2" FERRULE	4
53	R20818	1/2-14 NPT SOLID MALE STEM	4
54	R07637	1/2 X 1 HEX HEAD BOLT	2
55	R07785	1/2 HEX NUT	6
56	R07674	1/2 X 1 1/4 HEX HEAD BOLT	4
57	R07805	1/2 LOCK WASHER	4
58	R07642	1/2 X 3 1/2 HEX HEAD BOLT	1
59	R07885	1/2" LOCK NUT	1
60	R07675	3/8 X 1 1/4 HEX HEAD BOLT	3
61	R07783	3/8 HEX NUTLE	3
62	R07803	3/8 LOCK WASHER	3
63	R07826	5/8 FLAT WASHER	1
	R21387	SPRING KIT (0785183) H04	

SELECTOR VALVE KIT 242-66-00-000

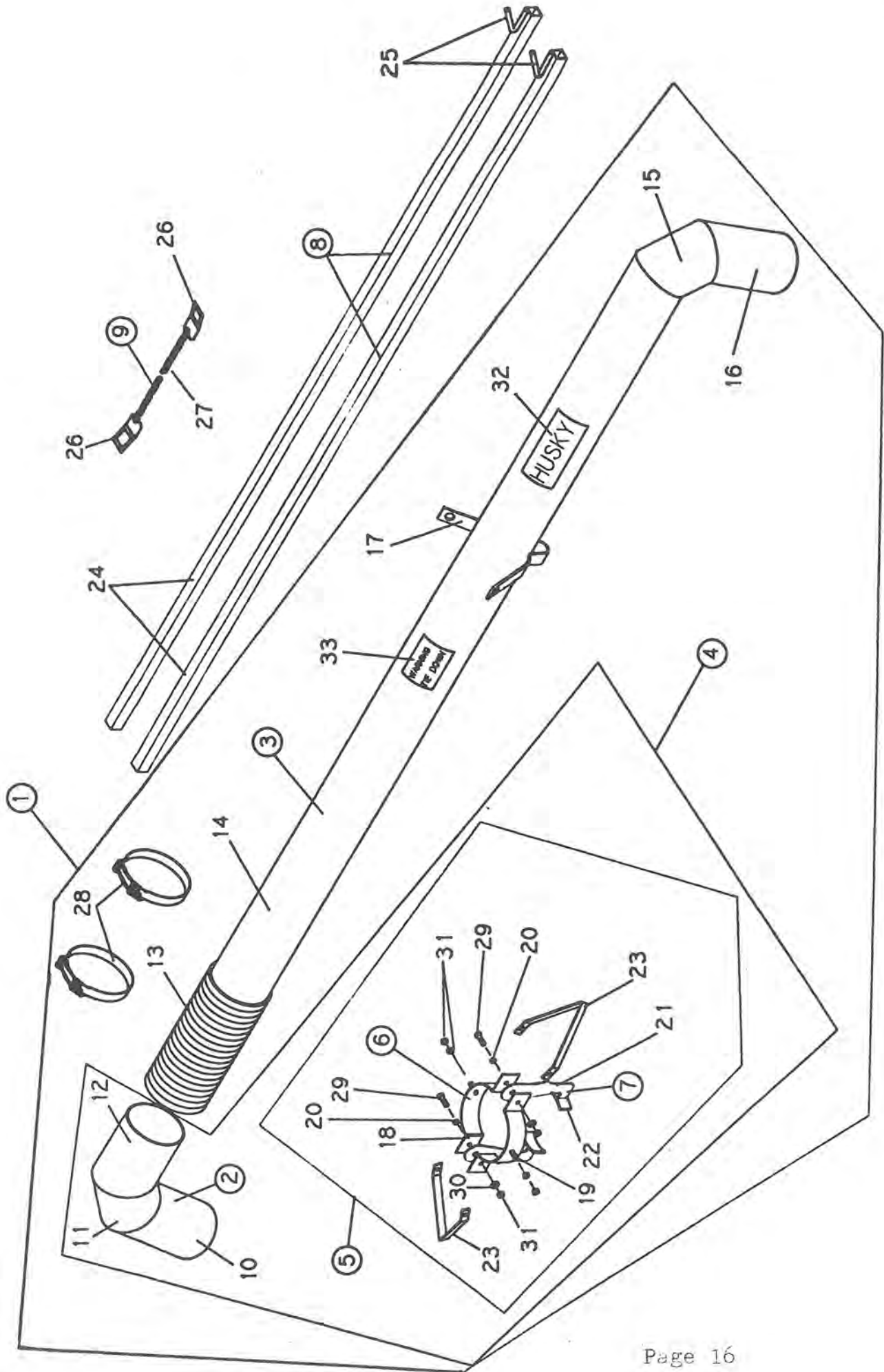


- NOTE: 1. THE POSITIONS OF PARTS #16 AND 17 ARE TO BE SWITCHED, AS SHOWN ON DRAWING, BEFORE INSTALLATION OF SELECTOR VALVE KIT.
2. THE 1/4" HYDRAULIC HOSES GOING FROM THE TRACTOR TO THE CONTROL VALVE ARE TO BE REMOVED AND REPLACED WITH 1/2" HOSE AS SHOWN.

KEY	PART NUMBER	DESCRIPTION	QTY
1	242-63-00-000	HYDRAULIC HOSE ASSY	1
2	242-64-00-000	HYDRAULIC HOSE ASSY	1
3	242-65-00-000	HYDRAULIC HOSE ASSY	2
4	242-63-00-184	HYDRAULIC HOSE	1
5	242-64-00-185	HYDRAULIC HOSE	1
6	242-65-00-186	HYDRAULIC HOSE	2
7	R20796	SELECTOR VALVE	1
8	R02123	1/2" CLOSE NIPPLE	1
9	R02163	1/2" TEE	1
10	R02103	1/2" X 90 DEG. STREET ELBOW	1
11	R20818	1/2" SOLID MALE STEM 1/2 NPT	8
12	R21240	1/2" STEEL FERRULES	8
13	R07613	5/16 X 2 HEX HD BOLT	2
14	R07802	5/16" LOCK WASHER	2
15	R07782	5/16" HEX NUT	2
16	R21378	3/4-16 O-RING BOSS PLUG	*
17	R21276	O-RING BOSS SWIVEL ADAPTOR	*
18	R20794	CONTROL VALVE	*
19	R20814	O-RING BOSS SWIVEL ADAPTOR 90 DEG.	*
		* H5000 ORIGINAL PARTS	

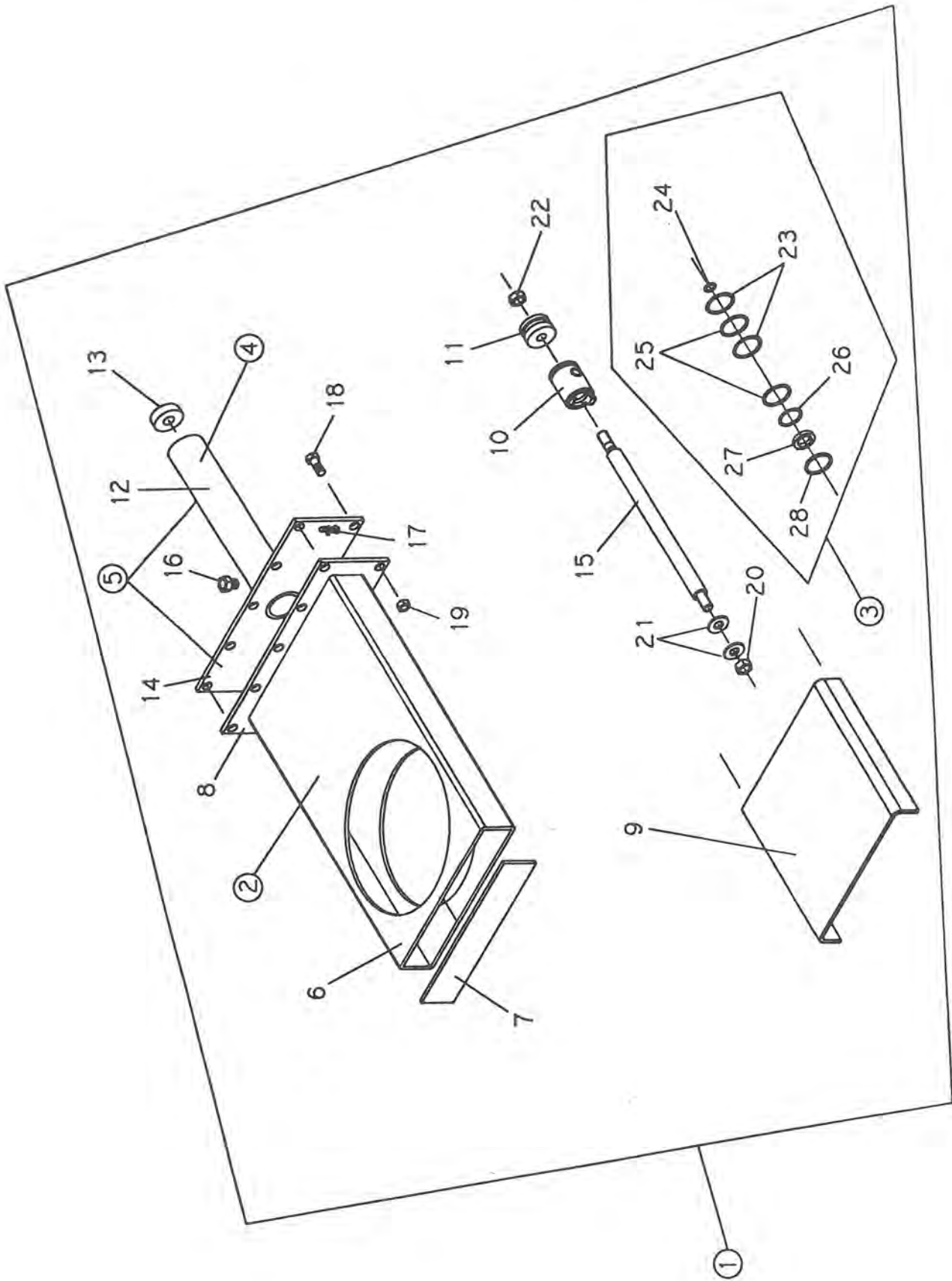


KEY	PART NUMBER	DESCRIPTION	QTY
1	242-17-00-000	"A" FRAME ASSY	1
2	242-17-13-000	R H SPOOL HOLDER ASSY	1
3	242-19-00-000	TONGUE AXLE BRKT	1
4	242-24-00-000	SPOOL ASSY	8
5	242-25-00-000	SPROCKET DRIVE ASSY	1
6	242-26-00-000	BUSHING HOLDER ASSY	1
7	242-17-18-000	SIDE LOCK PIN ASSY	1
8	242-17-17-000	SIDE LOCK BRKT ASSY	1
9	242-38-00-000	HYD HOSE ASSY	2
10	242-17-13-081	SPOOL HOLDER R H	1
11	242-17-13-082	SPOOL HOLDER BRACE	2
12	242-17-00-083	SPOOL HOLDER L H	1
13	242-17-00-084	TILT FRAME BASE	1
14	242-17-00-085	L H SUPPORT ARM	1
15	242-17-00-086	R H SUPPORT ARM	1
16	242-17-00-087	REINFORCING BARS	2
17	242-17-00-088	TILT FRAME GUSSET	1
18	242-17-00-089	CYLINDER AXLE BRKT	1
19	242-17-00-090	WHEEL SHAFT SLEEVE	1
20	242-17-00-091	SUPPORT ARM GUSSET	2
21	242-19-00-107	TONGUE AXLE BRKT	1
22	242-19-00-108	TONGUE AXLE BRKT REINFORCING BAR	1
23	242-19-00-109	OUTER SLEEVE	2
24	242-20-00-113	INNER AXLE	1
25	242-24-00-128	SPOOL ROLLER	8
26	242-24-00-129	SPOOL END PLATE	8
27	242-17-17-194	PIN STOP	1
28	242-25-00-131	SPROCKET SHAFT	1
29	242-25-00-132	MOTOR TO SHAFT COUPLING	1
30	242-26-00-133	BUSHING HOLDER PLATE	1
31	242-26-00-134	BUSHING HOLDER	1
32	242-17-18-195	SIDE LOCK PIN	1
33	242-17-18-196	PIN HANDLE	1
34	242-00-00-157	HOSE NIBLICK	1
35	242-38-00-162	6 MM HYD HOSE	2
36	242-17-17-193	SIDE LOCK BRKT	1
37	R07943	3/16 X 1 1/2 ROLL PIN	2
38	R20851	HYDRAULIC MOTOR #101-1008	1
39	R07670	3/8 X 7/8 HEX HD BOLT	8
40	R07803	3/8 LOCK WASHER	8
41	R11114	SPROCKET DRIVE KEY (C/W HYD MOTOR)	1
42	R20644	80 B-8 SPROCKET -32MM BORE	1
43	R20259	BRASS BUSHING 1 1/4 X 1 1/2 X 3/4	1
44	R07783	3/8 HEX NUT	4
45	R07697	7/8 X 9 HEX BOLT	4
46	R07828	1" FLAT WASHER	8
47	R07809	7/8" LOCK WASHER	4
48	R07789	7/8" HEX NUT	4
49	R20805	FERRULES	4
50	R20803	3/8-18 NPT SOLID STEM	2
51	R02043	1/2 X 3/8 BUSHING PIN	2
52	R08027	SPRING	1
53	R07826	5/8 FLAT WASHER	1
54	R20806	3/8-18 NPT SWIVEL ADAPTOR	2
55	242-27-00-000	SIDE LOCK KIT	1



KEY	PART NUMBER	DESCRIPTION	QTY
1	242-62-00-000	DISCHARGE PIPE COMPLETE 15 FT	1
	270-43-00-000	DISCHARGE PIPE COMPLETE 20 FT	*
2	242-28-00-000	PUMP ELBOW ASSY	1
3	242-30-00-000	DISCHARGE PIPE ASSY - 15 FT	1
	270-42-00-000	DISCHARGE PIPE ASSY - 20 FT	*
4	242-81-00-000	DISCHARGE ELBOW & PIPE CONN KIT	1
5	270-44-00-000	DISCHARGE PIPE CONN HOOK KIT	1
6	242-31-00-000	DISCHARGE PIPE SLEEVE ASSY	2
7	242-32-00-000	DISCHARGE PIPE HOOK ASSY	2
8	242-33-00-000	BIPOD LEG ASSY	2
9	242-79-00-000	BIPOD LEG CHAIN ASSY	1
10	242-28-00-138	PUMP ELBOW BASE SECTION	1
11	242-28-00-139	PUMP ELBOW MIDDLE SECTION	1
12	242-28-00-140	PUMP ELBOW UPPER SECTION	1
13	242-00-00-141	FLEX HOSE SECTION	1
14	242-30-00-145	DISCHARGE PIPE - 15 FT	1
	270-42-00-130	DISCHARGE PIPE - 20 FT	1
15	242-30-00-146	DISCHARGE ELBOW CENTRE PC	1
16	242-30-00-147	DISCHARGE ELBOW END PIECE	1
17	242-30-00-148	DISCHARGE PIPE HOOK	1
18	242-31-00-149	DISCHARGE PIPE SLEEVE	2
19	242-31-00-150	REDDI ROD	2
20	242-00-00-152	HOOK SPACER	2
21	242-32-00-153	DISCHARGE PIPE LOCK HOOK	2
22	242-32-00-154	HOOK PLATE	2
23	242-00-00-151	BRACKET LOCK	2
24	242-33-00-155	BIPOD LEGS	2
25	242-33-00-156	LEG HOOKS	2
26	242-79-00-198	BIPOD LEG CLIP	2
27	242-79-00-199	BIPOD LEG CHAIN	1
28	R02484	8" BAUER SUPPER CLAMPS	2
29	R07611	5/16 X 1 HEX HD BOLT	2
30	R07802	5\16 LOCK WASHER	4
31	R07782	5/16 HEX NUT	4
32	R09502	HUSKY DECAL	1
33	R09690	TIE DOWN DECAL	1

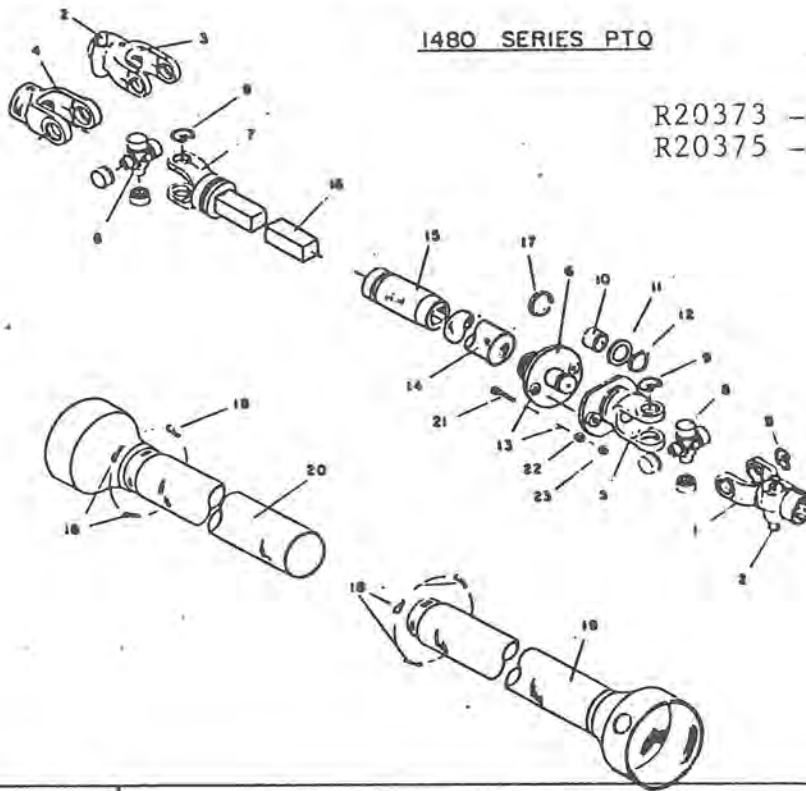
* OPTIONAL



KEY	PART NUMBER	DESCRIPTION	QTY
1	242-36-00-000	1 1\2" VALVE & CYLINDER COMPLETE (KIT)	3
2	242-97-00-000	VALVE HOUSING ASSY	1
3	340-47-00-000	O'RING KIT FOR 1 1/2' HYD CYL	1
4	270-55-25-000	HYDRAULIC CYLINDER & FLANGE COMPLETE	1
5	270-55-26-000	CYLINDER TUBE ASSY	1
6	242-97-00-229	VALVE TUBE	1
7	242-97-00-230	VALVE END CAP	1
8	242-97-00-231	VALVE INNER FLANGE	1
9	242-00-00-232	VALVE GATE	1
10	340-36-00-434	WIPER BLOCK	1
11	340-36-00-435	CYLINDER PLUNGER	1
12	340-36-18-430	HYDRAULIC CYLINDER TUBE	1
13	340-36-18-431	END CAP	1
14	270-55-26-159	VALVE OUTER FLANGE	1
15	307-29-00-068	CYLINDER SHAFT	1
16	R21287	1/4 M X 3/8 STRAIGH SWIVEL ADAPTOR	1
17	R04100	SILICONE	1
18	R07619	3/8 X 1 HEX BOLT	10
19	R07794	3/8" FLANGE NUT	10
20	R08229	1/2" STAINLESS NYLON INSERT LOCK NUT	1
21	R08221	7/16 SAE SS FLAT WASHER	2
22	R07885	1/2" LOCK NUT	1
23	R20867	BACK UPS #8-218	2
24	R20865	O RING #11-014	1
25	R20866	O RING #11-218	2
26	R20771	O RING #11-210	1
27	R20774	ROD WIPPERS	1
28	R07970	RETAINING RING	1

1480 SERIES PTO

R20373 - 540 rpm
R20375 - 1000 rpm



KEY	PART NUMBER	DESCRIPTION	QTY
1	R20381	QD YOKE 1 3/8 6T 540 RPM	*
	R20383	QD YOKE 1 3/8 21T 1000 RPM	1
	R30392	QD YOKE 1 3/4 20T 1000 RPM	*
2	R20305	QD PARTS KIT FOR 1 3/8 6T YOKE	*
	R20394	QD PARTS KIT FOR 1 3/8 21T YOKE	1
	R20406	QD PARTS KIT FOR 1 3/4 27T & 20T YOKE	*
3	R20382	QD YOKE 1 3/4 27T 1000RPM	1
4	R20384	1 3/4 ROUND HOLE YOKE	*
5	R20389	SHEAR PLATE YOKE	1
6	R20390	STUB SHEAR PLATE FLANGE	1
7	R20391	SQ HOLE YOKE	1
8	R20385	JOURNAL & BRG KIT	2
9	R20405	SNAP RING FOR J & B KIT	8
10	R20255	1.25ID X 1.50D X .5 LONG BRASS BUSHING	1
11	R20395	THRUST WASHER	1
12	R20393	SNAP RING	1
13	R20312	5/16 SHEAR PLATE BUSHING -4 REQUIRED	4
14	R20401	PROP SHAFT TUBE 2 3/4OD X .109 WALL	1
15	R20403	DOUBLE SLEEVE ASSY	1
16	R20398	1 5/16 SQ. BAR	1
17	R20387	SHIELD SUPPORT BRG	1
18	R20388	SAFETY SHIELD BRG KIT	8
19	R20408	INNER SHIELD ASSY	1
20	R20407	OUTER SHIELD ASSY	1
21	R07613	5/16 X 2 HEX SHEAR BOLT -GRADE 5	2
22	R07802	5/16 LOCK WASHER	2
23	R07782	5/16 HEX NUT	2
	R20399	OUTER SHIELD TUBE 3 5/8 X .083 WALL	
	R20400	INNER SHIELD TUBE 3 3/8 X .065 WALL	
	R20431	ADAPTOR 1 3/8 21T TO 1 3/8 6T	
	R20432	ADAPTOR 1 3/4 20T TO 1 3/8 6T	