

DATE PURCHASED _____ MACHINE SERIAL NO. _____

SIZE OF PUMP _____ OPTIONS _____

*Office copy
July 10/92
20 copies made
reg 12/92
10 copies*

PLEASE NOTE:

The key number system in this parts book is arranged as follows:

- 0 --Key number with one circle denotes main assemblies
- Key numbers not circled are individual parts

Please order parts by number

H5000

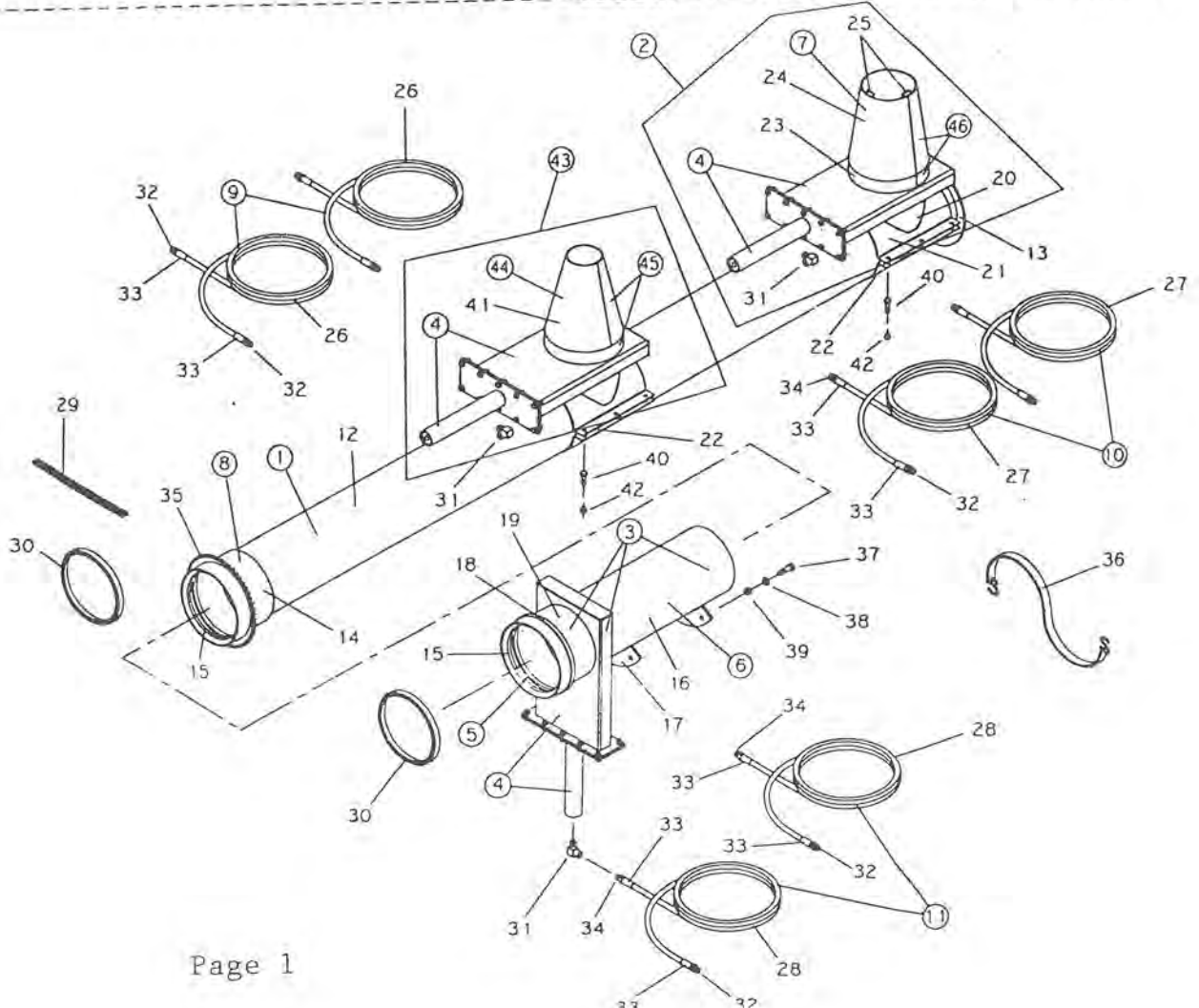
HUSKY LIQUID MANURE PUMP

OPERATING INSTRUCTIONS:

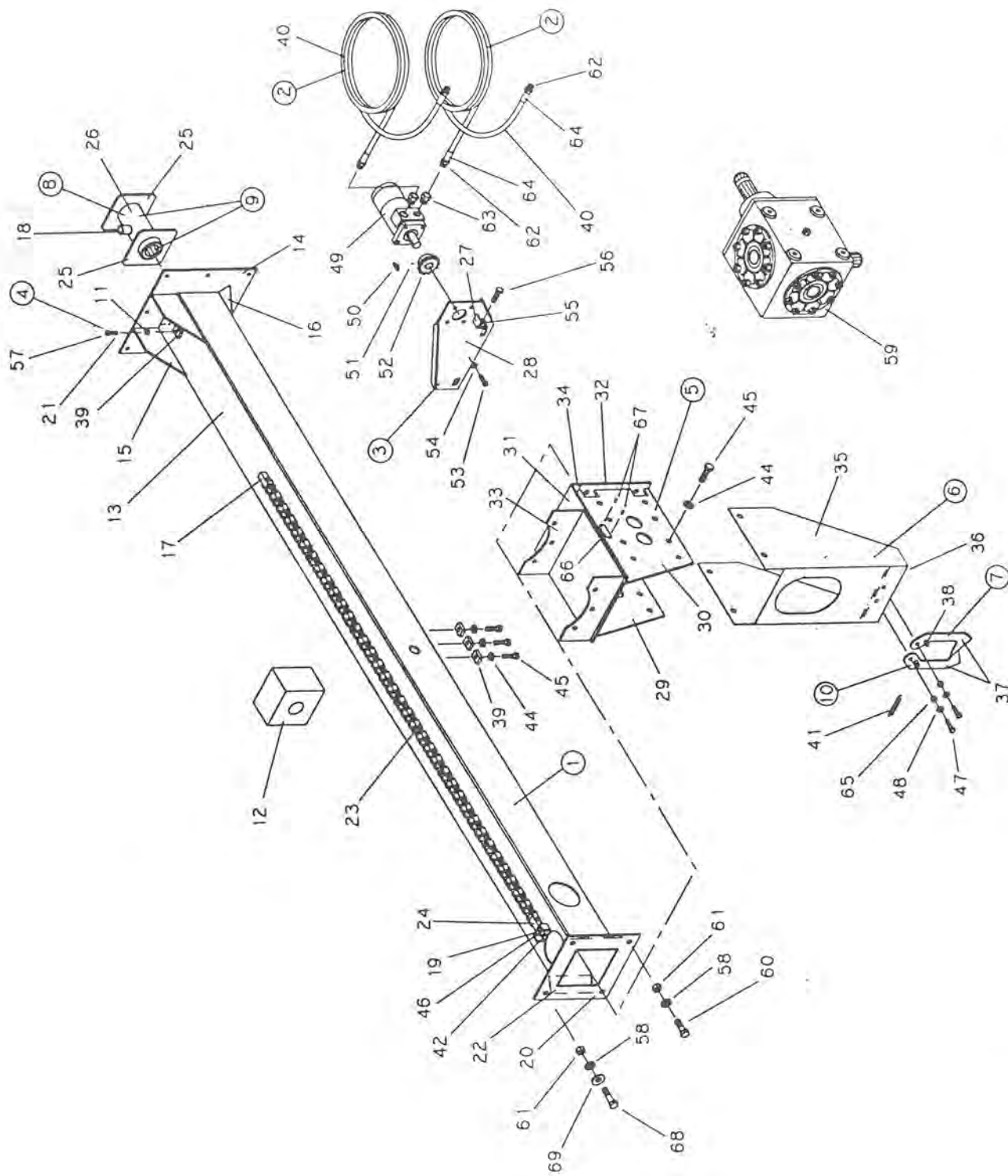
1. Do not leave pump in manure pit - remove pump from pit - wash off and cover with old oil or diesel fuel.
2. Do not over rev tractor while pumping as discharge spout will lift into the air. If pumping fast tie down spout.
3. The (urethane) marine bearing at the bottom of the pump is lubricated with manure or water. If the level of the liquid is below the bearing and you are running for long periods put a water hose in the top of stand pipe.
4. Always fill all hydraulic motors and cylinders with oil before installing in pit.
5. EXTREME DANGER - Never enter a dirty Manure Spreader or Storage Tank - one breath of Hydrogen Sulfide Gas is enough to kill. Have a ladder in your pit, so that if by accident you should fall in, you can get out again. Keep all lids closed and open pits fenced to keep children and animals out.
6. For open centre hydraulic tractors, use short plug on right hand end of hydraulic valve. For closed centre hydraulics use long plug with o-ring. (Oil must flow in left hand end of valve).

H5000 STANDPIPE

| KEY | PART NUMBER | DESCRIPTION | QTY |
|-----|---------------|---------------------------------------|-----|
| 1 | 242-90-00-000 | STANDPIPE ASSY - 8FT PUMP | 1 |
| | 244-91-00-000 | STANDPIPE ASSY - 10FT PUMP | 1 |
| | 246-92-00-000 | STANDPIPE ASSY - 12FT PUMP | 1 |
| 2 | 242-93-00-000 | VALVE CYLINDER & CONE ASSY COMPLETE | 1 |
| 3 | 242-95-00-000 | UPPER STANDPIPE & VALVE ASSY | 1 |
| 4 | 242-36-00-000 | VALVE & CYLINDER ASSY | 3 |
| 5 | 242-10-11-000 | UPPER EXTENSION PIPE ASSY | 1 |
| 6 | 242-10-10-000 | UPPER FIXED STANDPIPE ASSY | 1 |
| 7 | 242-93-23-000 | LOWER CONE ASSY | 1 |
| 8 | 242-09-09-000 | LOWER EXTENSION PIPE ASSY | 1 |
| 9 | 242-40-00-000 | HYD HOSE A.-CONTROL TO TOP TEE- 8FT. | 2 |
| | 244-46-00-000 | HYD HOSE A.-CON. TO TOP TEE-10 &12FT. | 2 |
| 10 | 242-41-00-000 | HYD HOSE A.-CON. TO BOTTOM TEE -8 FT. | 2 |
| | 244-47-00-000 | HYD HOSE A.-CON. TO BOTTOM TEE -10FT. | 2 |
| | 246-52-00-000 | HYD HOSE A.-CON. TO BOTTOM TEE -12FT. | 2 |
| 11 | 242-39-00-000 | HYD HOSE A.-CON. TO DISCHARGE - 8FT. | 2 |
| | 244-45-00-000 | HYD HOSE A.-CON. TO DISCHARGE -10FT. | 2 |
| | 246-51-00-000 | HYD HOSE A.-CON. TO DISCHARGE -12FT. | 2 |
| | 242-38-00-000 | HYD HOSE ASSY (USED W/2PT HITCH) | 2 |



| <u>KEY</u> | <u>PART NUMBER</u> | <u>DESCRIPTION</u> | <u>QTY</u> |
|------------|--------------------|------------------------------------|------------|
| 12 | 242-90-00-216 | STANDPIPE - 8FT. PUMP | 1 |
| | 244-91-00-217 | STANDPIPE - 10FT. PUMP | 1 |
| | 246-92-00-218 | STANDPIPE - 12FT. PUMP | 1 |
| 13 | 242-04-04-026 | STANDPIPE RING | 1 |
| 14 | 242-09-09-048 | EXTENSION PIPE | 1 |
| 15 | 242-09-09-049 | COUPLING BASE | 2 |
| 16 | 242-10-10-052 | FIXED UPPER STANDPIPE | 1 |
| 17 | 242-10-10-053 | STANDPIPE HOLD DOWN BRKT | 2 |
| 18 | 242-10-11-054 | HOOK RING | 1 |
| 19 | 270-01-18-134 | VALVE EXTENSION PIPE | 1 |
| 20 | 242-93-00-219 | TEE SIDE | 2 |
| 21 | 242-93-00-220 | CONE CLAMP ON BRKT | 2 |
| 22 | 242-00-00-221 | CLAMP ON BRKT | 2 |
| 23 | 242-93-23-224 | CONE MOUNT | 2 |
| 24 | 242-93-23-226 | CONE | 2 |
| 25 | 242-07-00-046 | CONE RIBS | 8 |
| 26 | 242-40-00-164 | HYD HOSE - 8FT. PUMP | 2 |
| | 244-46-00-171 | HYD HOSE - 10FT. & 12FT. PUMP | 2 |
| 27 | 242-41-00-160 | HYD HOSE - 8FT. PUMP | 2 |
| | 244-47-00-172 | HYD HOSE - 10FT. PUMP | 2 |
| 28 | 246-52-00-178 | HYD HOSE - 12FT. PUMP | 2 |
| | 242-39-00-163 | HYD HOSE - 8FT. PUMP | 2 |
| | 244-45-00-170 | HYD HOSE - 10FT. PUMP | 2 |
| | 242-35-00-159 | HYD HOSE - 12FT. PUMP | 2 |
| 29 | 242-38-00-162 | HYD HOSE (USED W/2PT HITCH) | 2 |
| 30 | 242-00-00-137 | #50 ROLLER CHAIN COMPLETE WITH C/L | 1 |
| 31 | R02360 | STANDPIPE GASKET | 2 |
| | R21366 | 3/8" STEEL ELBOW | 3 |
| 32 | R20803 | 3/8-18 NPT SOLID STEM - M | 6 |
| 33 | R21231 | FERRULES | 12 |
| 34 | R20806 | 3/8-18 NPT SWIVEL STEM - M | 6 |
| 35 | R20610 | AGITATOR TURN SPROCKET | 1 |
| 36 | R09533 | RUBBER STRAP - 8FT. PUMP | 1 |
| | | RUBBER STRAP -10FT. & 12FT. PUMP | 2 |
| 37 | R07674 | 1/2 X 1 1/4 HEX HD BOLT | 6 |
| 38 | R07805 | 1/2 LOCK WASHER | 6 |
| 39 | R07785 | 1/2 HEX NUT | 6 |
| 40 | R07629 | 7/16 X 1 1/2 HEX HD BOLT | 12 |
| 41 | 242-20-29-244 | CONE | 2 |
| 42 | R07879 | 7/16 FLANGE NUTS | 12 |
| 43 | 242-20-00-000 | UPPER VALVE & CONE COMPLETE | 1 |
| 44 | 242-20-39-000 | UPPER CONE ASSY | 1 |
| 45 | 242-20-29-000 | UPPER CONE & MOUNT ASSY | 1 |
| 46 | 242-93-40-000 | LOWER CONE & MOUNT ASSY | 1 |



H5000 DRIVE SHAFT TUBE

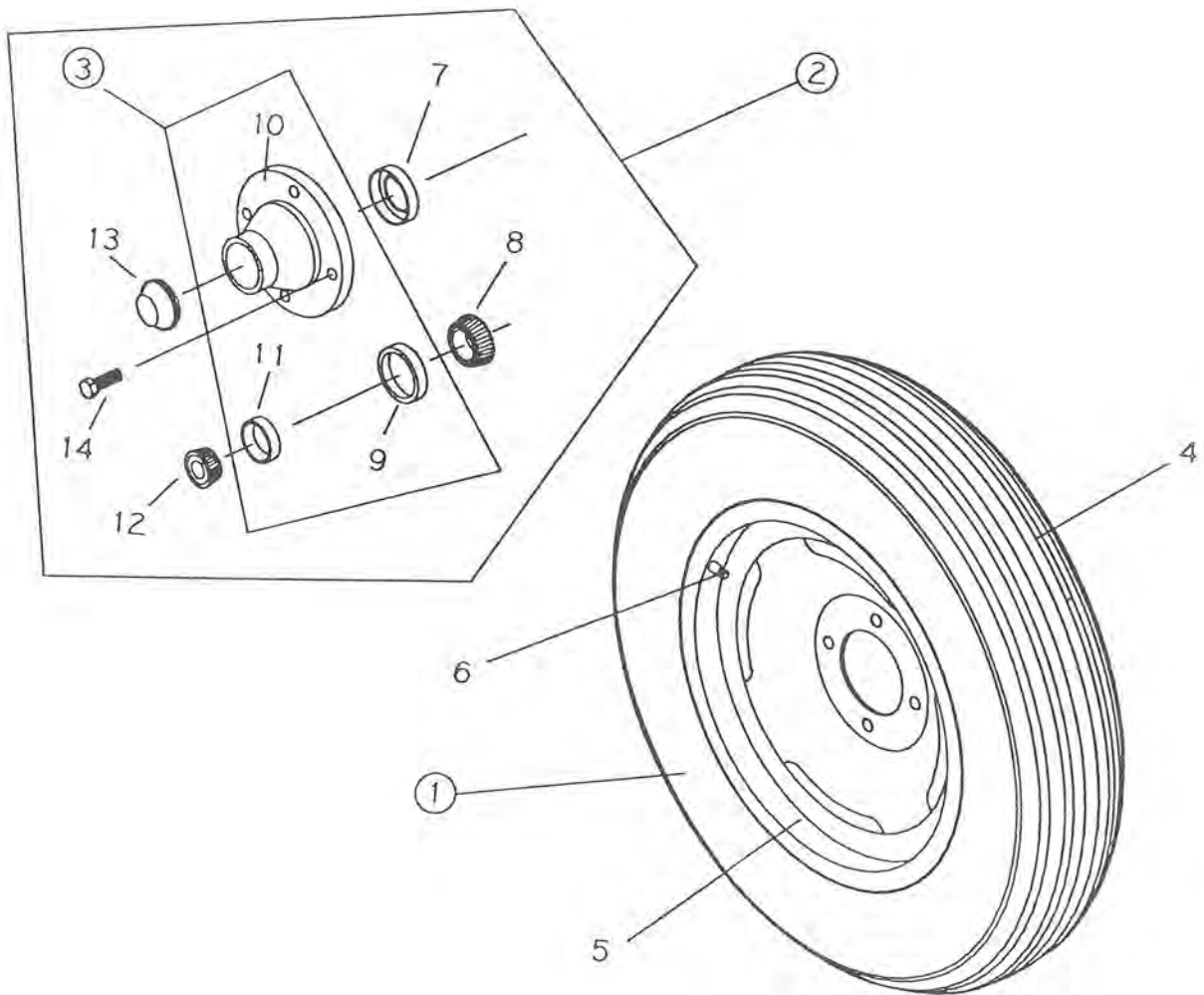
| KEY | PART NUMBER | DESCRIPTION | QTY |
|-----|---------------|-------------------------------------|------|
| 1 | 242-82-00-000 | SHAFT TUBE ASSY. - 8FT. PUMP | 1 |
| | 244-83-00-000 | SHAFT TUBE ASSY. - 10FT. PUMP | 1 |
| | 246-84-00-000 | SHAFT TUBE ASSY. - 12FT. PUMP | 1 |
| 2 | 242-37-00-000 | HYD HOSE ASSY-CONTRL TO ROTATE- 8FT | 2 |
| | 242-39-00-000 | HYD HOSE ASSY-CONTRL TO ROTATE-10FT | 2 |
| | 244-45-00-000 | HYD HOSE ASSY-CONTRL TO ROTATE-12FT | 2 |
| | 242-38-00-000 | HYD HOSE (2PT HITCH) | 2 |
| 3 | 242-13-00-000 | CHAIN TIGHTNER ASSY COMPLETE | 1 |
| 4 | 250-59-00-000 | SS. SET SCREW ASSY -LONG | 1 |
| 5 | 244-03-00-000 | GEAR BOX ASSY | 1 |
| 6 | 244-04-00-000 | PTO GUARD ASSY | 1 |
| 7 | 242-16-00-000 | R H STABLIZER BRKT ASSY | 1 |
| 8 | 242-22-27-000 | MARINE BRG HOLDER ASSY | 1 |
| 9 | 242-22-00-000 | MARINE BRG AND HOLDER COMPLETE | 1 |
| 10 | 242-96-00-000 | L H STABLIZER BRKT ASSY | 1 |
| 11 | R08046 | 1/2-13 JAM NUT | 1 |
| 12 | R20235 | 1 7/8 SQ WOOD BRG | 1 2* |
| 13 | 242-82-00-203 | SHAFT TUBE - 8FT. PUMP | 1 |
| | 244-83-00-205 | SHAFT TUBE - 10FT. PUMP | 1 |
| | 246-84-00-206 | SHAFT TUBE - 12FT. PUMP | 1 |
| 14 | 242-82-00-204 | LOWER SHAFT TUBE FLANGE | 1 |
| 15 | 242-11-00-057 | GUSSET STOP PLATE | 2 |
| 16 | 242-11-00-058 | SHAFT TUBE GUSSET | 2 |
| 17 | 242-11-00-059 | CHAIN HOLD DOWN BRKT | 1 |
| 18 | 242-22-27-236 | SLEEVE SET SCREW PIPE | 1 |
| 19 | 242-11-00-061 | TIGHTENER BRKT | 1 |
| 20 | 242-11-00-062 | DRIVE SHAFT TUBE END PLATE | 1 |
| 21 | 250-59-00-141 | SS SET SCREW REDDI ROD - LONG | 1 |
| 22 | 242-11-00-064 | TUBE GUSSET | 2 |
| 23 | 242-00-00-065 | LIFT CHAIN - 8FT. PUMP | 1 |
| | 244-00-00-169 | LIFT CHAIN - 10FT. PUMP | 1 |
| | 246-00-00-177 | LIFT CHAIN - 12FT. PUMP | 1 |
| 24 | 242-00-00-066 | CHAIN TIGHTENER | 1 |
| 25 | 242-22-27-235 | BRG HOLDER PLATE | 2 |
| 26 | 250-76-34-180 | MARINE BRG HOLDER | 1 |
| 27 | 242-13-12-069 | ROLLER CHAIN TIGHTENER BRKT | 1 |
| 28 | 242-13-00-070 | HYD MOTOR MOUNT | 1 |
| 29 | 244-03-00-263 | R H GEARBOX MOUNT PLATE | 1 |
| 30 | 244-03-00-262 | L H GEARBOX MOUNT PLATE | 1 |
| 31 | 242-14-00-073 | GEARBOX PLATE | 1 |
| 32 | 242-14-00-074 | GEARBOX LOWER PLATE | 1 |

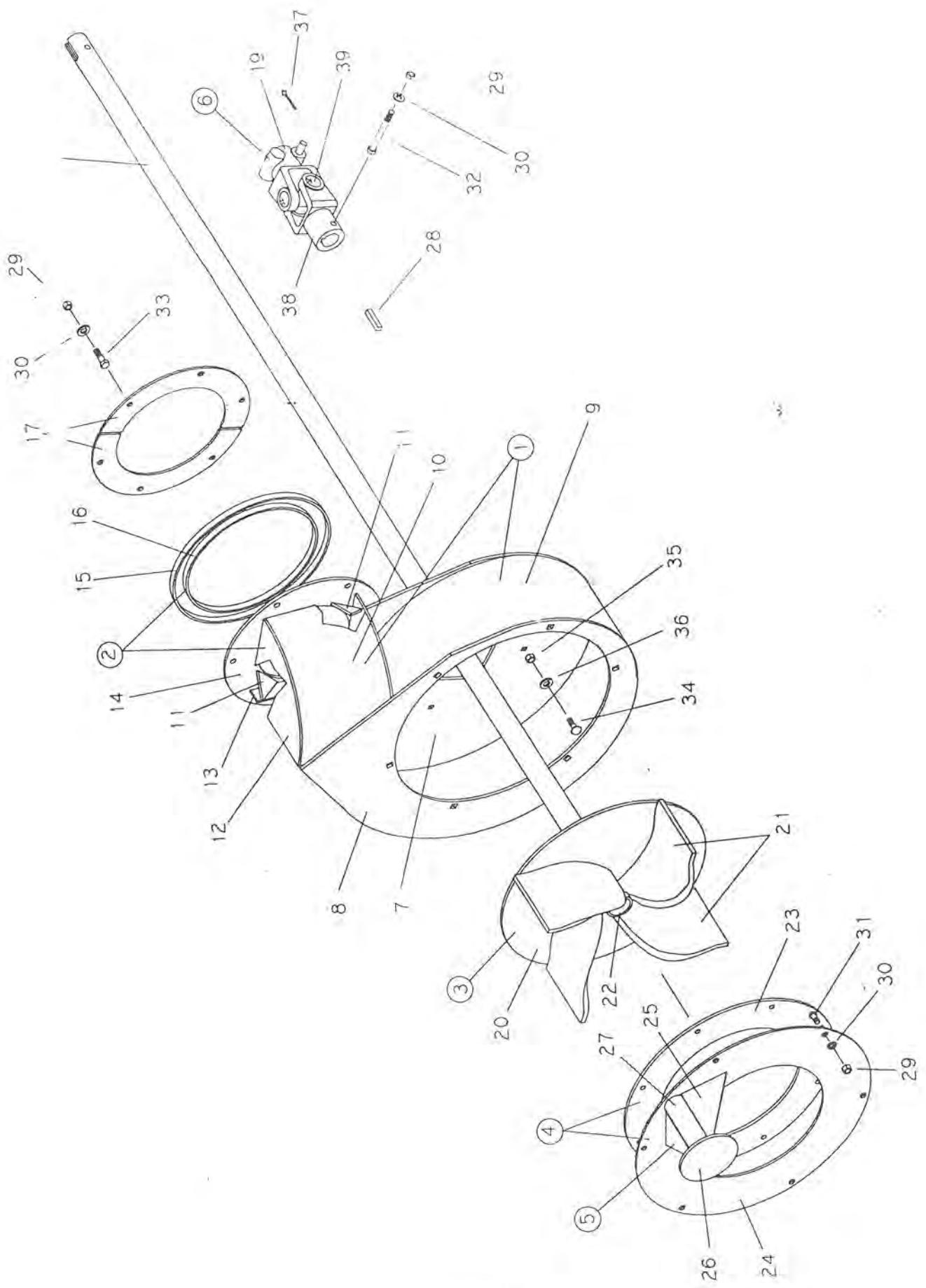
| KEY | PART NUMBER | DESCRIPTION | QTY | |
|-----|---------------|---|-----|-----|
| 33 | 242-14-00-075 | STANDPIPE SADDLE | 1 | |
| 34 | 244-03-00-270 | GUSSET | 1 | |
| 35 | 244-04-00-264 | PTO GUARD | 1 | |
| 36 | 244-04-00-265 | PTO GUARD REINFORCING ANGLE | 1 | |
| 37 | 242-16-00-079 | STABLIZER BRKT | 2 | |
| 38 | 242-16-00-080 | SPRING RETAINING ROD | 2 | |
| 39 | 250-05-00-126 | SS SET SCREW LUG | 4 | 7* |
| 40 | 242-37-00-161 | HYD HOSE-CON. TO ROTATE- 8FT. PUMP | 2 | |
| | 242-39-00-163 | HYD HOSE-CON. TO ROTATE-10FT. PUMP | 2 | |
| | 244-45-00-170 | HYD HOSE-CON. TO ROTATE-12FT. PUMP | 2 | |
| | 242-38-00-162 | HYD HOSE (2PT HITCH) | 2 | |
| 41 | R08025 | STABLIZER BRKT SPRING | 1 | |
| 42 | R07868 | 3/8-24 UNF X 1 1/2 SOCKET HD: CAP SCREW | 1 | |
| 43 | R20803 | 3/8-18 NPT SOLID STEM | 2 | |
| 44 | R07805 | 1/2" LOCK WASHER | 11 | 14* |
| 45 | R07674 | 1/2 X 1 1/4 -13UNC HEX BOLT | 3 | 6* |
| 46 | R07797 | 3/8 HEX NUT -24 | 1 | |
| 47 | R07671 | 7/16 X 1 HEX HD BOLT | 2 | |
| 48 | R07824 | 7/16 FLAT WASHER | 2 | |
| 49 | R20851 | HYD MOTOR 101-1008 | 1 | |
| 50 | R11114 | 1 X 1/4 WOODRUFF KEY | 1 | |
| 51 | R07903 | 1/4 X 3/8 SET SCREW | 1 | |
| 52 | R20602 | #50 B12 SPROCKET - 1" BORE | 1 | |
| 53 | R07670 | 3/8 X 7/8 HEX HD BOLT | 4 | |
| 54 | R07803 | 3/8 LOCK WASHER | 4 | |
| 55 | R07785 | 1/2 HEX NUT | 1 | |
| 56 | R07638 | 1/2 X 1 1/2 HEX HD BOLT | 1 | |
| 57 | R08235 | 1/2" S.S. HEX NUT | 1 | |
| 58 | R07806 | 5/8 LOCK WASHER | 4 | |
| 59 | R21139 | 1:1.35 GEARBOX | 1 | |
| 60 | R07646 | 5/8 X 1 1/2 HEX HD BOLT | 2 | |
| 61 | R07786 | 5/8 HEX NUT | 4 | |
| 62 | R20806 | 3/8 -18 NPT SWIVEL STEM - M | 2 | |
| 63 | R02043 | 1/2 X 3/8 BUSHING | 2 | |
| 64 | R21231 | FERRULES | 4 | |
| 65 | R07891 | 7/16-2 WAY LOCK NUT | 2 | |
| 66 | R09071 | SERIAL NUMBER | 1 | |
| 67 | R08162 | DRIVE SCREWS | 2 | |
| 68 | R07647 | 5/8 X 2 HEX HD BOLT | 2 | |
| 69 | R07826 | 5/8 FLAT WASHER | 2 | |

* On 12 Ft. Pumps & Larger

| <u>KEY</u> | <u>PART NUMBER</u> | <u>DESCRIPTION</u> | <u>QTY</u> |
|------------|--------------------|--------------------------------|------------|
| 1 | 250-65-00-000 | TIRE & WHEEL ASSY -5.90 X 15 | 2 |
| 2 | 250-60-30-000 | H-411 HUB COMPLETE | 2 |
| 3 | R20139 | H-411 HUB W/ CUPS | 2 |
| 4 | R20016 | 5.90 X 15 RIB IMPLEMENT TIRE | 2 |
| ----- | | | |
| 5 | R20057 | 4.5 X 15 WHEEL 4 BOLT | 2 |
| 6 | R20020 | VALVE STEM | 2 |
| 7 | R20144 | OIL SEAL | 2 |
| 8 | R20159 | INNER CONE | 2 |
| ----- | | | |
| 9 | R20129 | INNER CUP | 2 |
| 10 | R20160 | H-411 HUB | 2 |
| 11 | R20130 | OUTER CUP | 2 |
| 12 | R20158 | OUTER CONE | 2 |
| ----- | | | |
| 13 | R20143 | DUST CAP | 2 |
| 14 | R20145 | WHEEL BOLTS - 1/2 - 20 X 1 1/4 | 8 |

* OPTIONAL



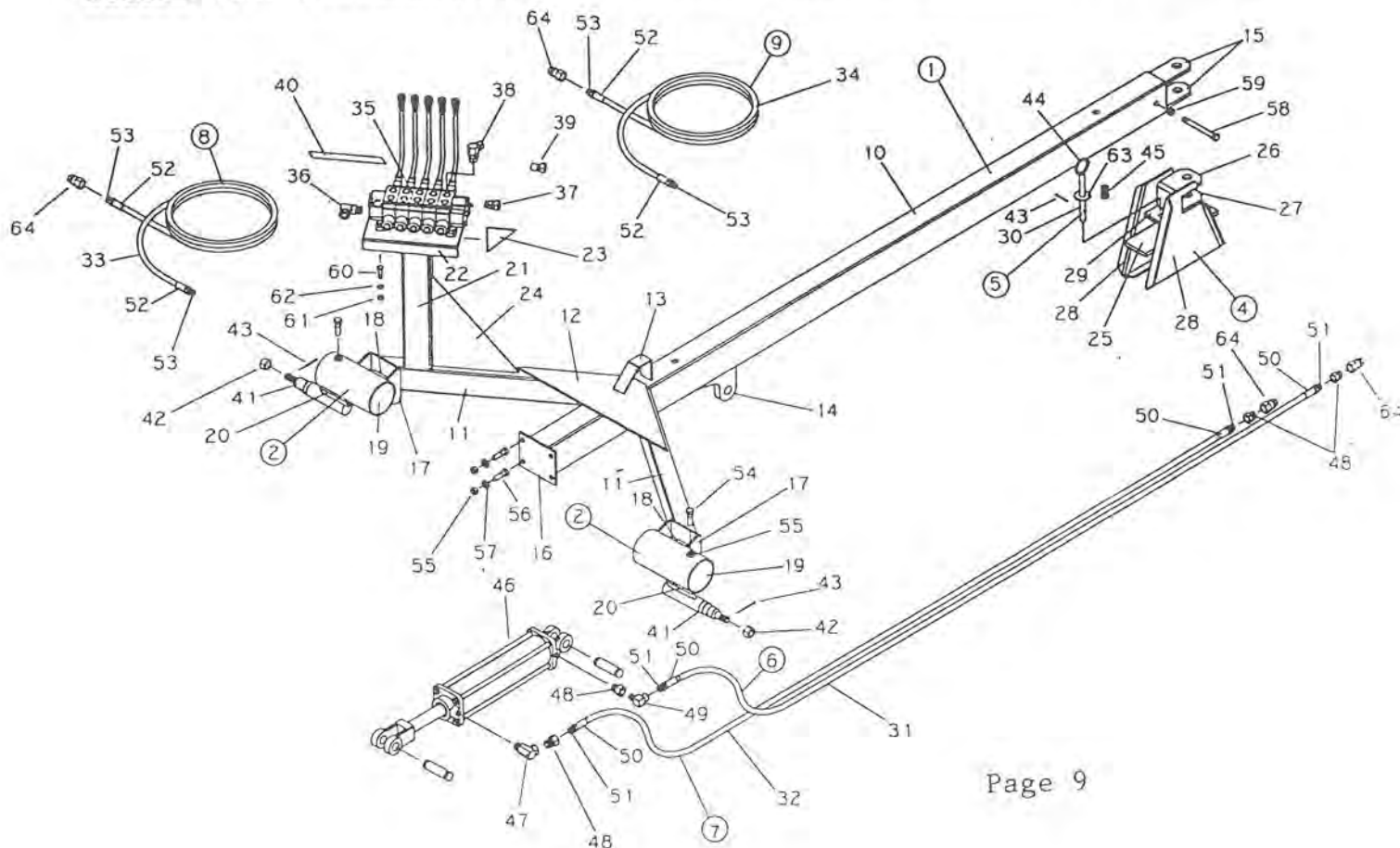


IMPELLER & HOUSING ASSEMBLY

| <u>KEY</u> | <u>PART NUMBER</u> | <u>DESCRIPTION</u> | <u>QTY</u> |
|------------|--------------------|--------------------------|------------|
| 1 | 242-88-00-000 | FAN HOUSING ASSY | 1 |
| 2 | 242-88-20-000 | BOOT ASSY | 1 |
| 3 | 244-02-00-000 | IMPELLER ASSY | 1 |
| 4 | 244-01-00-000 | COVER PLATE ASSY | 1 |
| <hr/> | | | |
| 5 | 250-04-03-000 | FOOT ASSY | 1 |
| 6 | 242-54-00-000 | KNUCKLE ASSY | 1 |
| 7 | 242-88-00-210 | UPPER FAN HOUSING | 1 |
| 8 | 242-88-00-211 | LOWER FAN HOUSING | 1 |
| <hr/> | | | |
| 9 | 242-88-00-212 | HOUSING BAND | 1 |
| 10 | 242-88-20-213 | BOOT END PLATE | 1 |
| 11 | 242-01-00-015 | CORNER PCS | 4 |
| 12 | 242-88-20-214 | SIDE PLATE | 2 |
| <hr/> | | | |
| 13 | 242-01-00-014 | FILLER PLATE | 1 |
| 14 | 242-01-03-011 | BACK PLATE | 1 |
| 15 | 242-01-03-012 | OUTER BAND | 1 |
| 16 | 242-01-03-013 | INNER BAND | 1 |
| <hr/> | | | |
| 17 | 242-00-00-017 | HALF RINGS | 2 |
| 18 | 242-00-00-258 | IMPELLER SHAFT - 8 FT. | 1 |
| | 244-00-00-259 | IMPELLER SHAFT -10 FT. | 1 |
| | 246-00-00-260 | IMPELLER SHAFT -12 FT. | 1 |
| <hr/> | | | |
| 19 | 242-54-00-237 | Q.D. YOKE 1 3/4 27 T | 1 |
| 20 | 242-85-24-227 | IMPELLER BACK PLATE | 1 |
| 21 | 244-02-00-257 | IMPELLER BLADE | 4 |
| 22 | 250-03-11-018 | IMPELLER GUIDE RING | 1 |
| <hr/> | | | |
| 23 | 244-01-00-255 | COVER PLATE SUPPORT | 1 |
| 24 | 244-01-00-256 | COVER PLATE | 1 |
| 25 | 250-04-00-173 | FOOT GUSSET | 2 |
| 26 | 250-04-03-012 | FOOT END | 1 |
| <hr/> | | | |
| 27 | 250-04-03-013 | FOOT | 1 |
| 28 | 270-00-00-075 | 3/8 X 3/8 X 2 KEY | 1 |
| 29 | R07784 | 7/16 HEX NUT | 13 |
| 30 | R07804 | 7/16 LOCK WASHER | 13 |
| <hr/> | | | |
| 31 | R07731 | 7/16 X 1 CARRIAGE BOLT | 6 |
| 32 | R07634 | 7/16 X 4 HEX BOLT | 1 |
| 33 | R07629 | 7/16 X 1 1/2 HEX HD BOLT | 6 |
| 34 | R07721 | 3/8 X 1 CARRIAGE BOLT | 8 |
| <hr/> | | | |
| 35 | R07783 | 3/8 HEX NUT | 8 |
| 36 | R07803 | 3/8 LOCK WASHER | 8 |
| 37 | R08081 | 1/8 X 1 SS. COTTER PIN | 1 |
| 38 | R20384 | 1 3/4 ROUND HOLE YOKE | 1 |
| <hr/> | | | |
| 39 | R20385 | JOURNAL & BRG KIT | 1 |

TRAILER ASSEMBLY

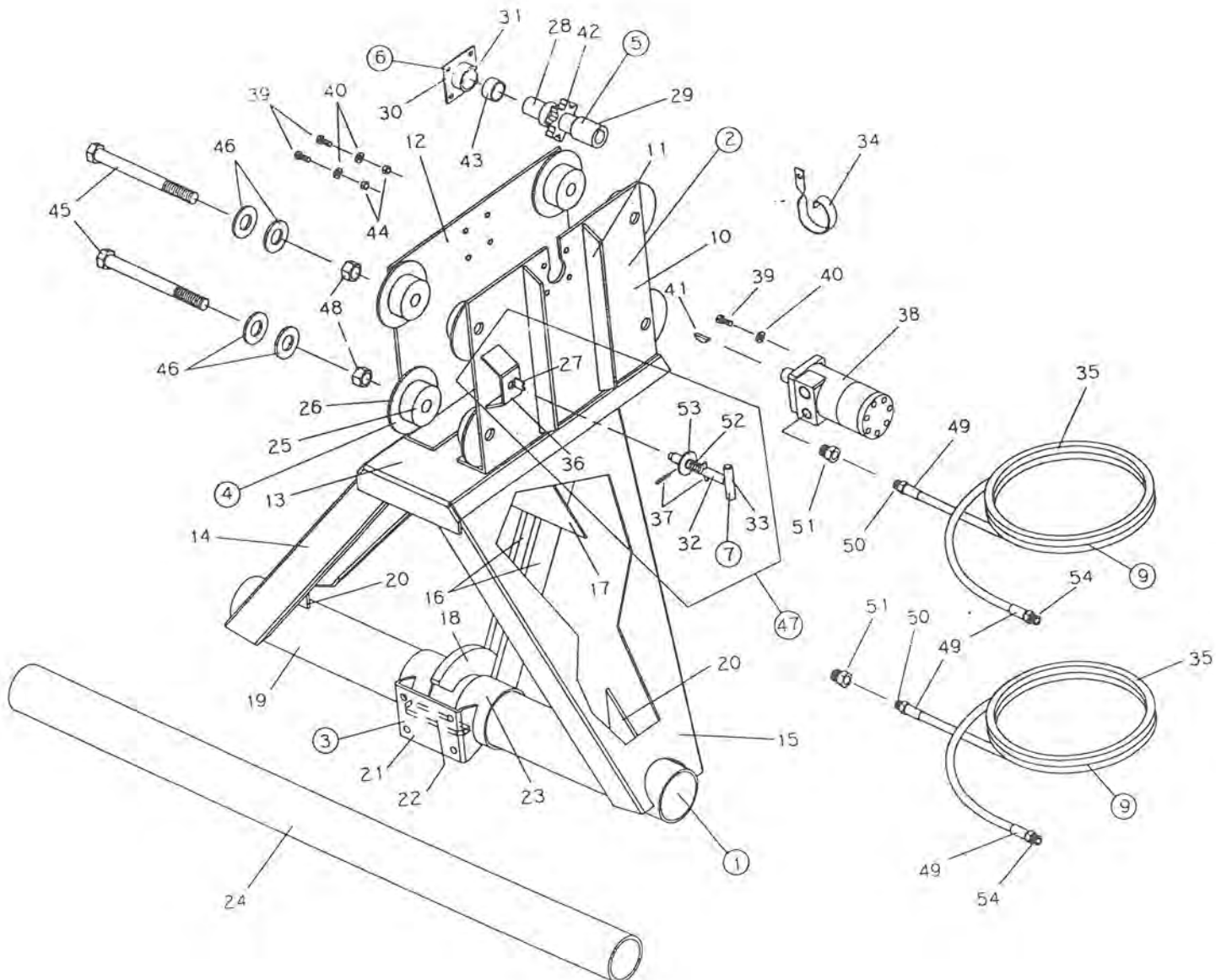
| KEY | PART NUMBER | DESCRIPTION | QTY |
|-------|---------------|---|-----|
| 1 | 242-89-00-000 | TRAILER ASSY | 1 |
| 2 | 242-18-14-000 | SPINDLE TUBE HOLDER R.H. | 1 |
| | 242-18-28-000 | SPINDLE TUBE HOLDER L.H. | 1 |
| 3 | 242-18-15-000 | CONTROL VALVE STAND ASSY | 1 |
| ----- | | | |
| 4 | 242-99-00-000 | HITCH ASSY | 1 |
| 5 | 242-98-00-000 | DROP PIN ASSY | 1 |
| 6 | 242-35-00-000 | HYDRAULIC HOSE ASSY - TRACTOR TO CYL | 1 |
| 7 | 242-34-00-000 | HYDRAULIC HOSE ASSY - TRACTOR TO CYL | 1 |
| ----- | | | |
| 8 | 242-71-00-000 | HYDRAULIC HOSE ASSY - TRACTOR TO CONTRL | 1 |
| 9 | 242-72-00-000 | HYDRAULIC HOSE ASSY - TRACTOR TO CONTRL | 1 |
| 10 | 242-18-00-092 | TRAILER TUBE | 1 |
| 11 | 242-18-00-093 | FRAME TUBE BRACE | 2 |
| ----- | | | |
| 12 | 242-18-00-094 | MAIN FRAME BUSSET | 1 |
| 13 | 242-18-00-095 | HITCH STOP | 1 |
| 14 | 242-18-00-096 | CYLINDER GUSSET | 1 |
| 15 | 242-89-00-243 | TRAILER TUBE TONGUE PLATE | 2 |
| ----- | | | |
| 16 | 242-18-00-099 | TONGUE BRKT | 1 |
| 17 | 242-18-14-100 | AXLE BRACE BRKT | 2 |
| 18 | 242-18-14-101 | AXLE BRACE BRKT SUPPORT | 2 |
| 19 | 242-18-00-102 | OUTER SLEEVE | 2 |
| ----- | | | |
| 20 | 242-89-00-215 | SPINDLE REINFORCING BAR | 2 |
| 21 | 242-18-15-103 | CONTROL VALVE STAND TUBE | 1 |



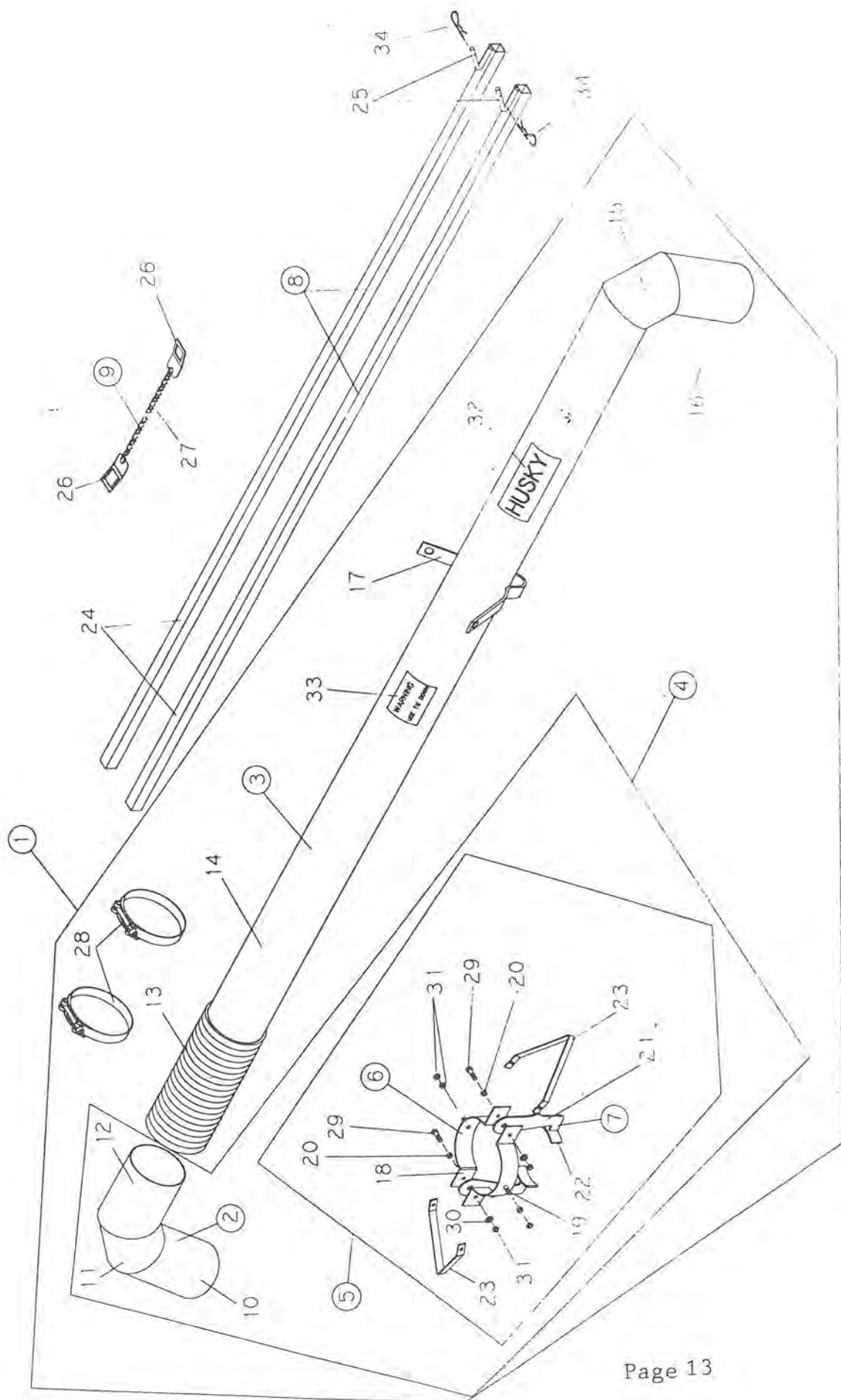
| KEY | PART NUMBER | DESCRIPTION | QTY |
|-----|---------------|---------------------------------------|-----|
| 22 | 242-18-15-104 | CONTROL VALVE PLATE | 1 |
| 23 | 242-18-15-105 | CONTROL VALVE PLATE GUSSET | 2 |
| 24 | 242-18-15-106 | STAND TUBE GUSSET | 1 |
| 25 | 242-99-00-238 | HITCH BRKT | 1 |
| 26 | 242-99-00-239 | UPPER TONGUE PLATE | 1 |
| 27 | 242-99-00-240 | LOWER TONGUE PLATE | 1 |
| 28 | 242-99-00-241 | HITCH SIDE PLATE L.H. | 1 |
| | 242-99-00-245 | HITCH SIDE PLATE R.H. | 1 |
| 29 | 242-99-00-242 | PIN BRK | 1 |
| 30 | 242-98-00-233 | DROP PIN | 1 |
| 31 | 242-35-00-159 | 1/4" HYDRAULIC HOSE | 1 |
| 32 | 242-34-00-158 | 1/4" HYDRAULIC HOSE | 1 |
| 33 | 242-71-00-188 | 1/2" HYDRAULIC HOSE | 1 |
| 34 | 242-72-00-189 | 1/2" HYDRAULIC HOSE | 1 |
| 35 | R20794 | 5 BANK VALVE | 1 |
| 36 | R20814 | 3/4-16SAE X 1/2NPT 90DEG SWVL ADAPTOR | 1 |
| 37 | R21276 | 3/4-16 SAE X 1/2 NPT SWIVEL ADAPTOR | 10 |
| 38 | R20826 | 3/4-16SAE X 3/8NPT 45DEG SWVL ADAPTOR | 1 |
| 39 | R20795 | CLOSED CENTRE PLUG | 1 |
| | R21376 | OPEN CENTRE PLUG | 1 |
| 40 | R09506 | CONTROL VALVE STICKER | 1 |
| 41 | R20141 | SPINDLE (COMPLETE W/NUT) | 2 |
| 42 | R20142 | 3/4-16 SLOTTED HEX NUT | 2 |
| 43 | R08002 | 5/32 X 1 1/2 COTTER PIN | 3 |
| 44 | R07925 | 1/4 X 1 1/2 PLATED RING | 1 |
| 45 | R08027 | SPRING | 1 |
| 46 | R20729 | 3 X 14" HYDRAULIC CYLINDER | 1 |
| 47 | R21335 | 90 DEGREE RESTRICTOR | 1 |
| 48 | R02043 | 1/2 X 3/8 BUSHING | 4 |
| 49 | R21366 | 3/8 X 90 DEGREE STEEL STREET ELBOW | 1 |
| 50 | R20805 | 1/4" FERRULE | 4 |
| 51 | R20803 | 3/8-18 NPT SOLID MALE STEM | 4 |
| 52 | R21240 | 1/2" FERRULE | 4 |
| 53 | R20818 | 1/2-14 NPT SOLID MALE STEM | 4 |
| 54 | R07637 | 1/2 X 1 HEX HEAD BOLT | 2 |
| 55 | R07785 | 1/2 HEX NUT | 6 |
| 56 | R07674 | 1/2 X 1 1/4 HEX HEAD BOLT | 4 |
| 57 | R07805 | 1/2 LOCK WASHER | 4 |
| 58 | R07642 | 1/2 X 3 1/2 HEX HEAD BOLT | 1 |
| 59 | R07885 | 1/2" LOCK NUT | 1 |
| 60 | R07675 | 3/8 X 1 1/4 HEX HEAD BOLT | 3 |
| 61 | R07783 | 3/8 HEX NUTLE | 3 |
| 62 | R07803 | 3/8 LOCK WASHER | 3 |
| 63 | R07826 | 5/8 FLAT WASHER | 1 |
| 64 | R21342 | 1/2" PIONEER FITTING | 4 |

H5000 "A" FRAME

| KEY | PART NUMBER | DESCRIPTION | QTY |
|-------|---------------|-----------------------|-----|
| 1 | 242-17-00-000 | "A" FRAME ASSY | 1 |
| 2 | 242-17-13-000 | R H SPOOL HOLDER ASSY | 1 |
| 3 | 242-19-00-000 | TONGUE AXLE BRKT | 1 |
| 4 | 242-24-00-000 | SPOOL ASSY | 8 |
| <hr/> | | | |
| 5 | 242-25-00-000 | SPROCKET DRIVE ASSY | 1 |
| 6 | 242-26-00-000 | BUSHING HOLDER ASSY | 1 |
| 7 | 242-17-18-000 | SIDE LOCK PIN ASSY | 1 |
| 8 | 242-17-17-000 | SIDE LOCK BRKT ASSY | 1 |
| <hr/> | | | |
| 9 | 242-38-00-000 | HYD HOSE ASSY | 2 |
| 10 | 242-17-13-081 | SPOOL HOLDER R H | 1 |
| 11 | 242-17-13-082 | SPOOL HOLDER BRACE | 2 |
| 12 | 242-17-00-083 | SPOOL HOLDER L H | 1 |



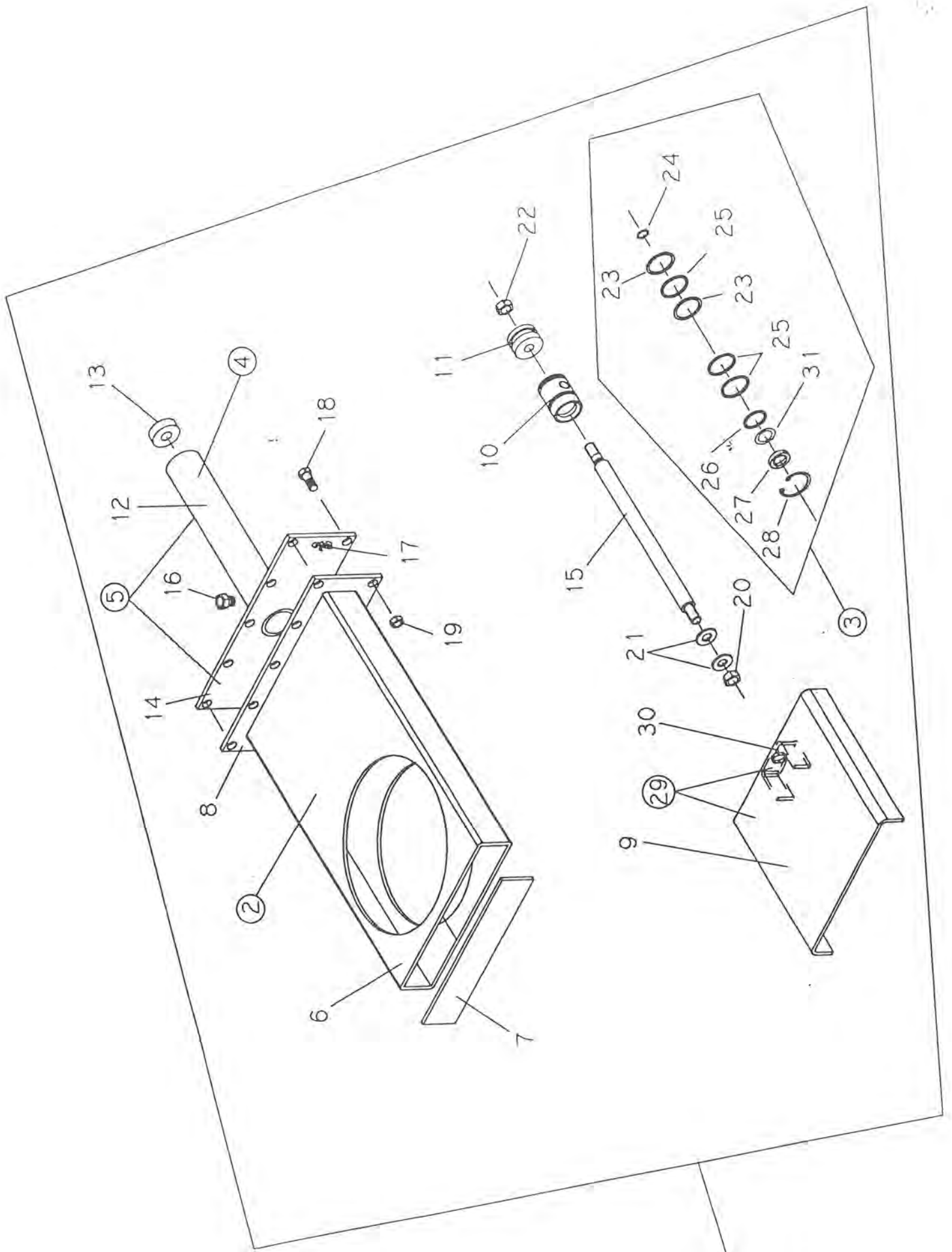
| KEY | PART NUMBER | DESCRIPTION | QTY |
|-----|---------------|------------------------------------|-----|
| 13 | 242-17-00-084 | TILT FRAME BASE | 1 |
| 14 | 242-17-00-085 | L H SUPPORT ARM | 1 |
| 15 | 242-17-00-086 | R H SUPPORT ARM | 1 |
| 16 | 242-17-00-087 | REINFORCING BARS | 2 |
| 17 | 242-17-00-088 | TILT FRAME GUSSET | 1 |
| 18 | 242-17-00-089 | CYLINDER AXLE BRKT | 1 |
| 19 | 242-17-00-090 | WHEEL SHAFT SLEEVE | 1 |
| 20 | 242-17-00-091 | SUPPORT ARM GUSSET | 2 |
| 21 | 242-19-00-107 | TONGUE AXLE BRKT | 1 |
| 22 | 242-19-00-108 | TONGUE AXLE BRKT REINFORCING BAR | 1 |
| 23 | 242-19-00-109 | OUTER SLEEVE | 2 |
| 24 | 242-00-00-113 | INNER AXLE | 1 |
| 25 | 242-24-00-128 | SPOOL ROLLER | 8 |
| 26 | 242-24-00-129 | SPOOL END PLATE | 8 |
| 27 | 242-17-17-194 | PIN STOP | 1 |
| 28 | 242-25-00-131 | SPROCKET SHAFT | 1 |
| 29 | 242-25-00-132 | MOTOR TO SHAFT COUPLING | 1 |
| 30 | 242-26-00-133 | BUSHING HOLDER PLATE | 1 |
| 31 | 242-26-00-134 | BUSHING HOLDER | 1 |
| 32 | 242-17-18-195 | SIDE LOCK PIN | 1 |
| 33 | 242-17-18-196 | PIN HANDLE | 1 |
| 34 | 242-00-00-157 | HOSE NIBLICK | 1 |
| 35 | 242-38-00-162 | 6 MM HYD HOSE | 2 |
| 36 | 242-17-17-193 | SIDE LOCK BRKT | 1 |
| 37 | R07943 | 3/16 X 1 1/2 ROLL PIN | 2 |
| 38 | R20851 | HYDRAULIC MOTOR #101-1008 | 1 |
| 39 | R07670 | 3/8 X 7/8 HEX HD BOLT | 8 |
| 40 | R07803 | 3/8 LOCK WASHER | 8 |
| 41 | R11114 | SPROCKET DRIVE KEY (C/W HYD MOTOR) | 1 |
| 42 | 250-25-00-257 | 80 B-8 SPROCKET -32MM BORE | 1 |
| 43 | R20259 | BRASS BUSHING 1 1/4 X 1 1/2 X 3/4 | 1 |
| 44 | R07783 | 3/8 HEX NUT | 4 |
| 45 | R07697 | 7/8 X 9 HEX BOLT | 4 |
| 46 | R07828 | 1" FLAT WASHER | 8 |
| 47 | 242-27-00-000 | SIDE LOCK KIT | 1 |
| 48 | R08047 | 7/8" LOCK NUT | 4 |
| 49 | R20805 | FERRULES | 4 |
| 50 | R20803 | 3/8-18 NPT SOLID STEM | 2 |
| 51 | R02043 | 1/2 X 3/8 BUSHING | 2 |
| 52 | R08027 | SPRING | 1 |
| 53 | R07826 | 5/8 FLAT WASHER | 1 |
| 54 | R20806 | 3/8-18 NPT SWIVEL ADAPTOR | 2 |



DISCHARGE PIPE ASSEMBLY

| <u>KEY</u> | <u>PART NUMBER</u> | <u>DESCRIPTION</u> | <u>QTY</u> |
|------------|--------------------|---------------------------------|------------|
| 1 | 242-62-00-000 | DISCHARGE PIPE COMPLETE 15 FT | 1 |
| | 270-43-00-000 | DISCHARGE PIPE COMPLETE 20 FT | * |
| 2 | 242-28-00-000 | PUMP ELBOW ASSY | 1 |
| 3 | 242-30-00-000 | DISCHARGE PIPE ASSY - 15 FT | 1 |
| | 270-42-00-000 | DISCHARGE PIPE ASSY - 20 FT | * |
| 4 | 242-81-00-000 | DISCHARGE ELBOW & PIPE CONN KIT | 1 |
| 5 | 270-44-00-000 | DISCHARGE PIPE CONN HOOK KIT | 1 |
| 6 | 242-31-00-000 | DISCHARGE PIPE SLEEVE ASSY | 2 |
| 7 | 242-32-00-000 | DISCHARGE PIPE HOOK ASSY | 2 |
| 8 | 242-33-00-000 | BIPOD LEG ASSY | 2 |
| 9 | 242-79-00-000 | BIPOD LEG CHAIN ASSY | 1 |
| 10 | 242-28-00-138 | PUMP ELBOW BASE SECTION | 1 |
| 11 | 242-28-00-139 | PUMP ELBOW MIDDLE SECTION | 1 |
| 12 | 242-28-00-140 | PUMP ELBOW UPPER SECTION | 1 |
| 13 | 242-00-00-141 | FLEX HOSE SECTION | 1 |
| 14 | 242-30-00-145 | DISCHARGE PIPE - 15 FT | 1 |
| | 270-42-00-130 | DISCHARGE PIPE - 20 FT | 1 |
| 15 | 242-30-00-146 | DISCHARGE ELBOW CENTRE PC | 1 |
| 16 | 242-30-00-147 | DISCHARGE ELBOW END PIECE | 1 |
| 17 | 242-30-00-148 | DISCHARGE PIPE HOOK | 1 |
| 18 | 242-31-00-149 | DISCHARGE PIPE SLEEVE | 2 |
| 19 | 242-31-00-150 | REDDI ROD | 2 |
| 20 | 242-00-00-152 | HOOK SPACER | 2 |
| 21 | 242-32-00-153 | DISCHARGE PIPE LOCK HOOK | 2 |
| 22 | 242-32-00-154 | HOOK PLATE | 2 |
| 23 | 242-00-00-151 | BRACKET LOCK | 2 |
| 24 | 242-33-00-155 | BIPOD LEGS | 2 |
| 25 | 242-33-00-156 | LEG HOOKS | 2 |
| 26 | 242-79-00-198 | BIPOD LEG CLIP | 2 |
| 27 | 242-79-00-199 | BIPOD LEG CHAIN | 1 |
| 28 | R02484 | 8" BAUER SUPER CLAMPS | 2 |
| 29 | R07611 | 5/16 X 1 HEX HD BOLT | 2 |
| 30 | R07802 | 5/16 LOCK WASHER | 4 |
| 31 | R07782 | 5/16 HEX NUT | 4 |
| 32 | R09502 | HUSKY DECAL | 1 |
| 33 | R09690 | TIE DOWN DECAL | 1 |
| 34 | R07948 | 5/32 HAIRPIN | 2 |

* OPTIONAL

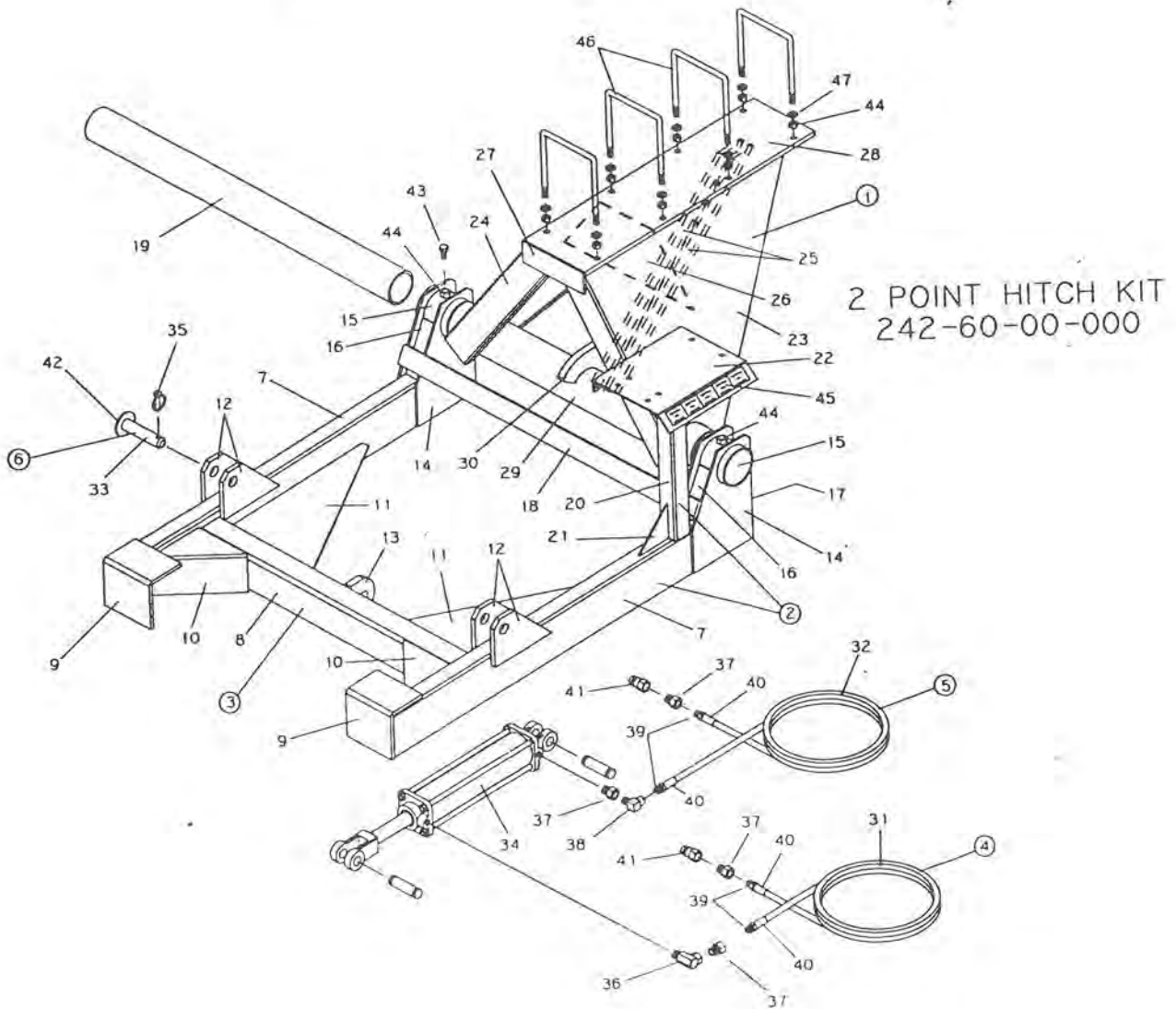


1 1/2" VALVE & CYL. KIT

| <u>KEY</u> | <u>PART NUMBER</u> | <u>DESCRIPTION</u> | <u>QTY</u> |
|------------|--------------------|--|------------|
| 1 | 242-36-00-000 | 1 1/2" VALVE & CYLINDER COMPLETE (KIT) | 3 |
| 2 | 242-97-00-000 | VALVE HOUSING ASSY | 1 |
| 3 | 340-47-00-000 | O'RING KIT FOR 1 1/2' HYD CYL | 1 |
| 4 | 270-55-25-000 | HYDRAULIC CYLINDER & FLANGE COMPLETE | 1 |
| ----- | | | |
| 5 | 270-55-26-000 | CYLINDER TUBE ASSY | 1 |
| 6 | 242-97-00-229 | VALVE TUBE | 1 |
| 7 | 242-97-00-230 | VALVE END CAP | 1 |
| 8 | 242-97-00-231 | VALVE INNER FLANGE | 1 |
| ----- | | | |
| 9 | 242-36-40-268 | VALVE GATE | 1 |
| 10 | 340-36-00-434 | WIPER BLOCK | 1 |
| 11 | 340-36-00-435 | CYLINDER PLUNGER | 1 |
| 12 | 340-36-18-430 | HYDRAULIC CYLINDER TUBE | 1 |
| ----- | | | |
| 13 | 340-36-18-431 | END CAP | 1 |
| 14 | 270-55-26-159 | VALVE OUTER FLANGE | 1 |
| 15 | 307-29-00-068 | CYLINDER SHAFT | 1 |
| 16 | R21287 | 1/4 M X 3/8 STRAIGHT SWIVEL ADAPTOR | 1 |
| ----- | | | |
| 17 | R04100 | SILICONE | 1 |
| 18 | R07619 | 3/8 X 1 HEX BOLT | 10 |
| 19 | R07794 | 3/8" FLANGE NUT | 10 |
| 20 | R08229 | 1/2" STAINLESS NYLON INSERT LOCK NUT | 1 |
| ----- | | | |
| 21 | R08221 | 7/16 SAE SS FLAT WASHER | 2 |
| 22 | R07885 | 1/2" LOCK NUT | 1 |
| 23 | R20867 | BACK UPS #8-218 | 2 |
| 24 | R20865 | O RING #11-014 | 1 |
| ----- | | | |
| 25 | R20866 | O RING #11-218 | 3 |
| 26 | R20771 | O RING #11-210 | 1 |
| 27 | R20774 | ROD WIPER | 1 |
| 28 | R07967 | RETAINING RING | 1 |
| ----- | | | |
| 29 | 242-36-42-000 | VALVE GATE ASSY | 1 |
| 30 | 242-36-42-269 | VALVE GATE BRKT | 1 |
| 31 | R20862 | BACK UP #210 | 1 |

H5000 - 2 POINT HITCH

| KEY | PART NUMBER | DESCRIPTION | QTY |
|-------|---------------|---------------------------------|-----|
| 1 | 242-60-35-000 | TILT FRAME ASSEMBLY | 1 |
| 2 | 242-60-41-000 | MAIN FRAME ASSY W/CONTROL STAND | 1 |
| 3 | 250-87-44-000 | MAIN FRAME LESS CONTROL STAND | 1 |
| 4 | 250-87-51-000 | HYD HOSE ASSEMBLY | 1 |
| <hr/> | | | |
| 5 | 250-87-52-000 | HYD HOSE ASSY | 1 |
| 6 | 250-87-56-000 | HITCH PIN ASSY | 2 |
| 7 | 250-87-44-215 | LEFT ARM | 2 |
| 8 | 250-87-44-216 | CROSS BRACE | 1 |



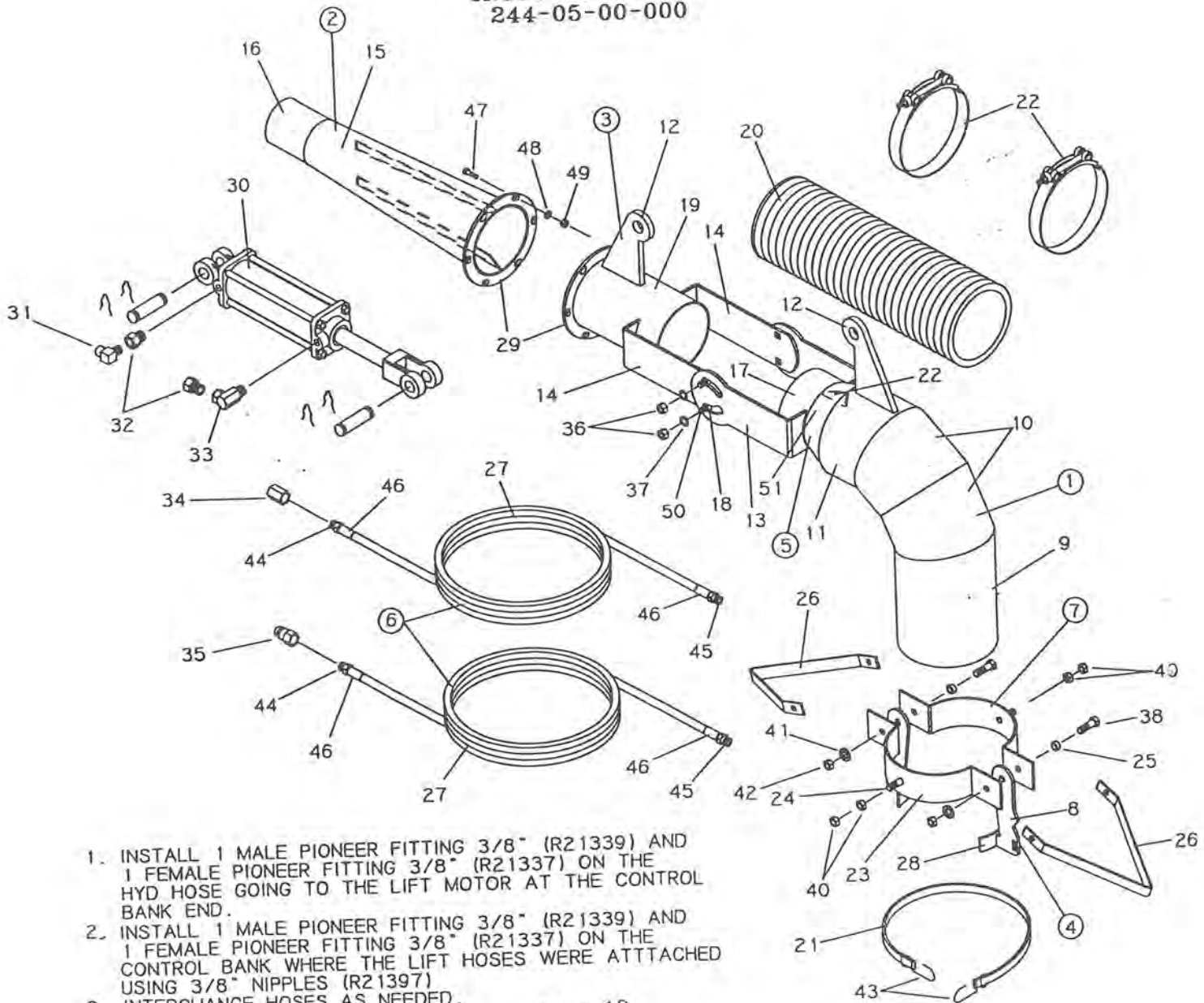
2 POINT HITCH - CONT'D

| KEY | PART NUMBER | DESCRIPTION | QTY |
|-----|--------------------------|-----------------------------------|--------------|
| 9 | 250-87-44-217 | END CAP | 2 |
| 10 | 250-87-44-218 | ANGLE GUSSET | 2 |
| 11 | 250-87-44-219 | CROSS BRACE GUSSET | 2 |
| 12 | 250-87-44-220 | LIFT BRKTS | 4 |
| 13 | 250-87-44-221 | CYLINDER LUG | 1 |
| 14 | 250-87-44-222 | TILT FRAME BRKT | 4 |
| 15 | 250-87-44-223 | TILT FRAME BRKT SLEEVE | 2 |
| 16 | 250-87-44-224 | FRONT FILLER PLATE | 2 |
| 17 | 250-87-44-225 | REAR FILLER PLATE | 2 |
| 18 | 250-87-44-226 | CROSS STRAP | 1 |
| 19 | 250-87-00-227 | INNER AXLE TUBE | 1 |
| 20 | 242-60-41-266 | CONTROL VALVE STAND TUBE | 1 |
| 21 | 242-60-41-267 | GUSSET | 1 |
| 22 | 242-18-15-104 | CONTROL VALVE PLATE | 1 |
| 23 | 242-60-35-247 | L.H. SUPPORT ARM | 1 |
| 24 | 242-60-35-248 | R.H. SUPPORT ARM | 1 |
| 25 | 242-60-35-249 | REINFORCING BARS | 2 |
| 26 | 242-60-35-250 | TILT FRAME GUSSET | 1 |
| 27 | 242-60-35-251 | GUSSET | 1 |
| 28 | 242-60-35-252 | TOP SUPPORT PLATE | 1 |
| 29 | 250-87-45-230 | SUPPORT ARM SLEEVE | 1 |
| 30 | 250-87-45-231 | CYLINDER AXLE BRKT | 1 |
| 31 | 250-87-51-258 | HYDRAULIC HOSE | 1 |
| 32 | 250-87-52-259 | HYDRAULIC HOSE | 1 |
| 33 | 250-87-56-264 | PIN | 2 |
| 34 | R20724 | 4 X 14" HYDRAULIC CYLINDER | 1 |
| 35 | R08040 | 2-18 LYNCH PIN | 2 |
| 36 | R21335 | 90 DEGREE RESTRICTOR | 1 |
| 37 | R02043 | 1/2 X 3/8 BUSHING | 4 |
| 38 | R21366 | 3/8 X 90 DEGREE HYD STREET ELBOW | 1 |
| 39 | R20803 | 3/8-18 NPT SOLID MALE STEM | 4 |
| 40 | R20805 | FERRULE | 4 |
| 41 | R21342 | 1/2 PIONEER COUPLER | 2 |
| 42 | R07828 | 1" FLAT WASHER | 2 |
| 43 | R07637 | 1/2 X 1-13 UNC HEX HD BOLT | 2 |
| 44 | R07785 | 1/2-13 UNC HEX NUT | 10 |
| 45 | R09506 | CONTROL VALVE STICKER | 1 |
| 46 | R08174 | 'U' BOLT 1/2-13 UNC | 4 |
| 47 | R07805 | 1/2" LOCK WASHER | 8 |

CRUST BUSTER (244-05-00-000)

| KEY | PART NUMBER | DESCRIPTION | QTY |
|-------|---------------|-----------------------------|-----|
| 1 | 244-05-43-000 | ELBOW ASSY | 1 |
| 2 | 244-05-44-000 | CONE ASSY 6" TO 4" | 1 |
| 3 | 244-05-46-000 | CONE EXTENSION ASSY | 1 |
| 4 | 244-05-45-000 | HD DISCHARGE PIPE HOOK ASSY | 2 |
| <hr/> | | | |
| 5 | 244-05-47-000 | CONE ASSY 8" TO 6" | 1 |
| 6 | 244-45-00-000 | HYDRAULIC HOSE ASSY | 2 |
| 7 | 242-31-00-000 | DISCHARGE PIPE SLEEVE ASSY | 2 |
| 8 | 244-05-45-272 | HD DISCHARGE PIPE HOOK | 2 |
| <hr/> | | | |
| 9 | 244-05-43-273 | ELBOW BASE PC | 1 |
| 10 | 244-05-43-274 | ELBOW MIDDLE PC | 2 |
| 11 | 244-05-43-275 | ELBOW TOP PC | 1 |
| 12 | 270-63-29-191 | CYLINDER BRKT | 2 |

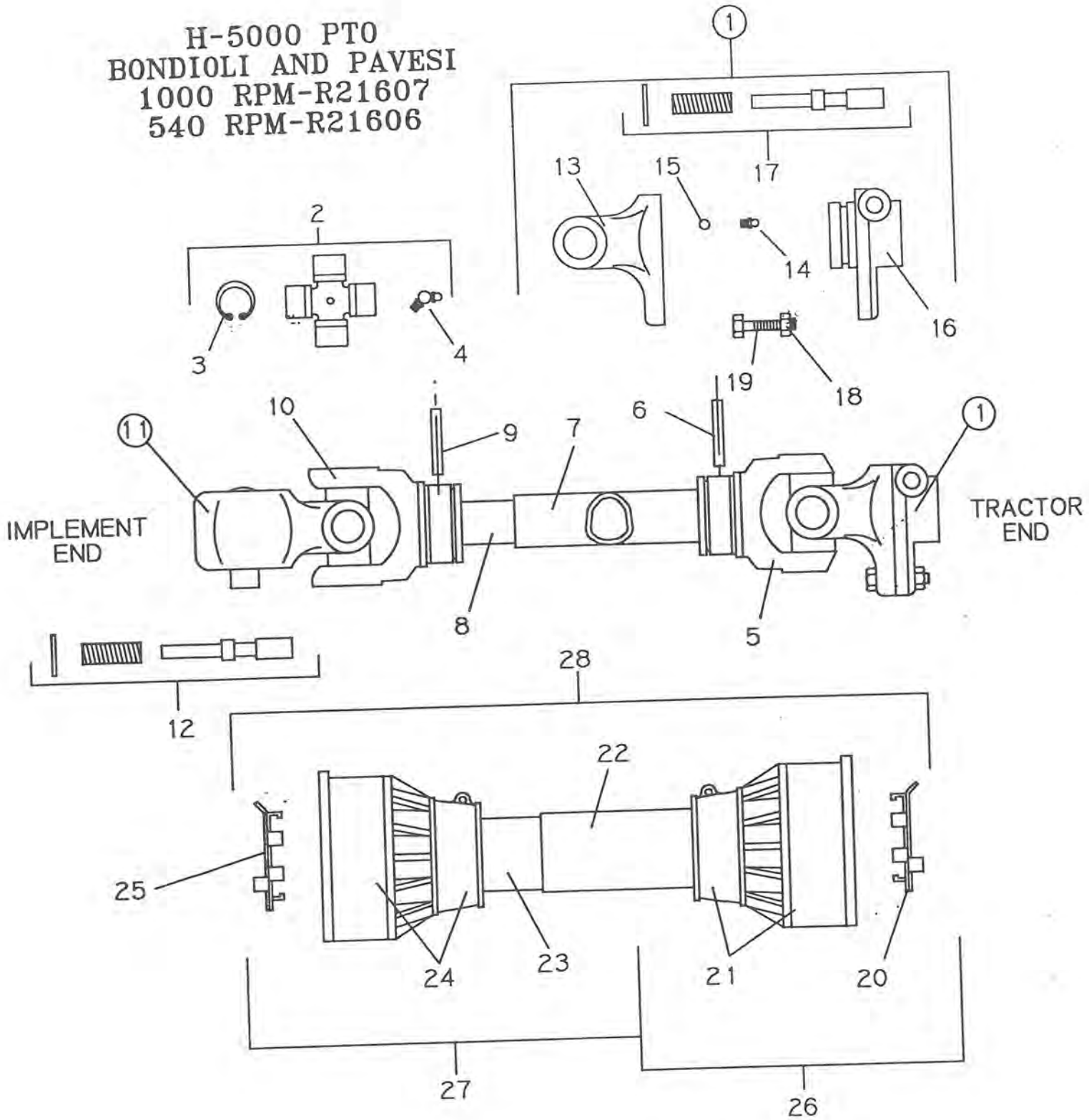
CRUST BUSTER KIT 244-05-00-000



CRUST BUSTER CONTINUED

| <u>KEY</u> | <u>PART NUMBER</u> | <u>DESCRIPTION</u> | <u>QTY</u> |
|------------|--------------------|---------------------------------|------------|
| 13 | 244-05-43-276 | MAIN PIVOT BRKT | 2 |
| 14 | 244-05-46-277 | INNER PIVOT BRKT | 2 |
| 15 | 244-05-44-278 | CONE (HALF) | 2 |
| 16 | 244-05-44-279 | CONE EXTENSION PIPE | 1 |
| 17 | 270-63-34-189 | EXTENSION PIPE | 1 |
| 18 | 244-05-00-281 | SPACER PIPE | 4 |
| 19 | 244-05-46-284 | EXTENSION PIPE | 1 |
| 20 | 270-63-00-187 | FLEX HOSE | 1 |
| 21 | 244-05-00-282 | RUBBER STRAP | 1 |
| 22 | 270-63-34-192 | CONE RIB | 4 |
| 23 | 242-31-00-149 | DISCHARGE PIPE SLEEVE | 2 |
| 24 | 242-31-00-150 | REDDI ROD | 2 |
| 25 | 242-00-00-152 | HOOK SPACER | 2 |
| 26 | 242-00-00-151 | BRACKET LOCK | 2 |
| 27 | 244-45-00-170 | HYD HOSE | 2 |
| 28 | 242-32-00-154 | HOOK PLATE | 2 |
| 29 | 364-19-00-087 | FLANGE | 2 |
| 30 | R20725 | 2 X 8 HYDRAULIC CYLINDER | 1 |
| 31 | R21366 | 3/8" STEEL STREET ELBOW | 1 |
| 32 | R02043 | 1/2 X 3/8 BUSHING | 2 |
| 33 | R21335 | 90 DEG RESTRICTOR - 1/2-#13 UNC | 1 |
| 34 | R21337 | 3/8" FEMALE PIONEER FITTING | 3 |
| 35 | R21339 | 3/8" MALE PIONEER FITTING | 3 |
| 36 | R07891 | 7/16 - 2 WAY LOCK NUT | 4 |
| 37 | R07824 | 7/16 FLAT WASHER | 4 |
| 38 | R07611 | 5/16 X 1 HEX BOLT | 2 |
| 39 | R02484 | 6" CLAMP | 2 |
| 40 | R07782 | 5/16 HEX NUT | 4 |
| 41 | R07802 | 5/16 LOCK WASHER | 2 |
| 42 | R07782 | 5/16 HEX NUT | 2 |
| 43 | R11114 | RUBBER STRAP HOOK | 2 |
| 44 | R20803 | 3/8-18 NPT SOLID STEM - M | 2 |
| 45 | R20806 | 3/8 - 18 NPT SWIVEL STEM - M | 2 |
| 46 | R21231 | FERRULE | 4 |
| 47 | R07619 | 3/8 X 1 HEX BOLT | 6 |
| 48 | R07803 | 3/8 LOCK WASHER | 6 |
| 49 | R07783 | 3/8 HEX NUT | 6 |
| 50 | R07733 | 7/16 X 1 1/2 CARRIAGE BOLT | 4 |
| 51 | 270-63-34-188 | CONE | 1 |

H-5000 PTO
 BONDIOLI AND PAVESI
 1000 RPM-R21607
 540 RPM-R21606



H5000 BONDIOLI & PAVESI PTO

R21607 - 1000RPM

R21606 - 540 RPM

| <u>KEY</u> | <u>MFG#</u> | <u>PART #</u> | <u>DESCRIPTION</u> | <u>QTY</u> |
|------------|-------------|---------------|-------------------------------|------------|
| 1 | 606808001 | R21600 | TORQUE LIM 540 RPM -1 3/8 6T | 1 |
| | 606808047 | R21601 | TORQUE LIM 1000RPM -1 3/8 21T | * |
| 2 | 41208 | R21614 | CROSS JOURNAL ASSY | 2 |
| 3 | 338023000 | R21621 | CIRCLIP | 8 |
| ----- | | | | |
| 4 | 348004000 | R21655 | GREASE NIPPLE | 2 |
| 5 | 204086860 | R21620 | OUTER TUBE YOKE | 1 |
| 6 | 341054000 | R21613 | FLEXIBLE PIN | 1 |
| 7 | 225730823 | R21616 | CM CARDAN TUBE - OUTER | 1 |
| ----- | | | | |
| 8 | 225690823 | R21615 | CM CARDAN TUBE - INNER | 1 |
| 9 | 341055000 | R21612 | FLEXIBLE PIN | 1 |
| 10 | 204086861 | R21619 | INNER TUBE YOKE | 1 |
| 11 | 507083951 | R21622 | YOKE 1 3/4 - 27 T | 1 |
| ----- | | | | |
| 12 | 401000007 | R21623 | COMPLETE PUSH BUTTON | 1 |
| 13 | 213080020 | R21624 | YOKE | 1 |
| 14 | 348012000 | R21672 | GREASE NIPPLE | 1 |
| 15 | 362003000 | R21539 | 5/16 BALL | 24 |
| ----- | | | | |
| 16 | 513080338 | R21625 | HUB C/W Q.D. 1 3/8 6T | 1 |
| | 513083708 | R21626 | HUB C/W Q.D. 1 3/8 21T | * |
| 17 | 401000001 | R21675 | COMPLETE PUSH BUTTON | 1 |
| 18 | M12-1.75X65 | R21602 | M12 X 65 HEX BOLT | 1 |
| ----- | | | | |
| 19 | M12-1.75 | R21604 | M12 NY-LOCK NUT | 1 |
| 20 | 255080005 | R21609 | O.BEARING 8-9-10 | 1 |
| 21 | 517080071 | R21610 | O.CONE SETS N8-9 | 1 |
| 22 | 236850752 | R21618 | CM SAFETY TUBE | 1 |
| ----- | | | | |
| 23 | 236840752 | R21617 | CM SAFETY TUBE | 1 |
| 24 | 517080061 | R21611 | I.CONE SETS N8-9 | 1 |
| 25 | 255080006 | R21608 | I.BEARING 8-9-10 | 1 |
| 26 | 5N38101NN | R21627 | HALF SAFETY GUARD - OUTER | 1 |
| ----- | | | | |
| 27 | 5N18101NN | R21628 | HALF SAFETY GUARD - INNER | 1 |
| 28 | 5N08101NN | R21629 | SAFETY GUARD COMPLETE | 1 |
| ----- | | | | |

