

DATE PURCHASED \_\_\_\_\_ MACHINE SERIAL NO. \_\_\_\_\_

SIZE OF PUMP \_\_\_\_\_ OPTIONS \_\_\_\_\_

*Office copy  
10/12/93*

*5 - Jan 18/94  
10 - Feb 9/94  
5 - Mar 15/94  
5 - Apr 11/94  
5 - May 4/94  
5 - May 25/94  
10 - June 1/94*

PLEASE NOTE:

The key number system in this parts book is arranged as follows:

- 0 --Key number with one circle denotes main assemblies
- Key numbers not circled are individual parts

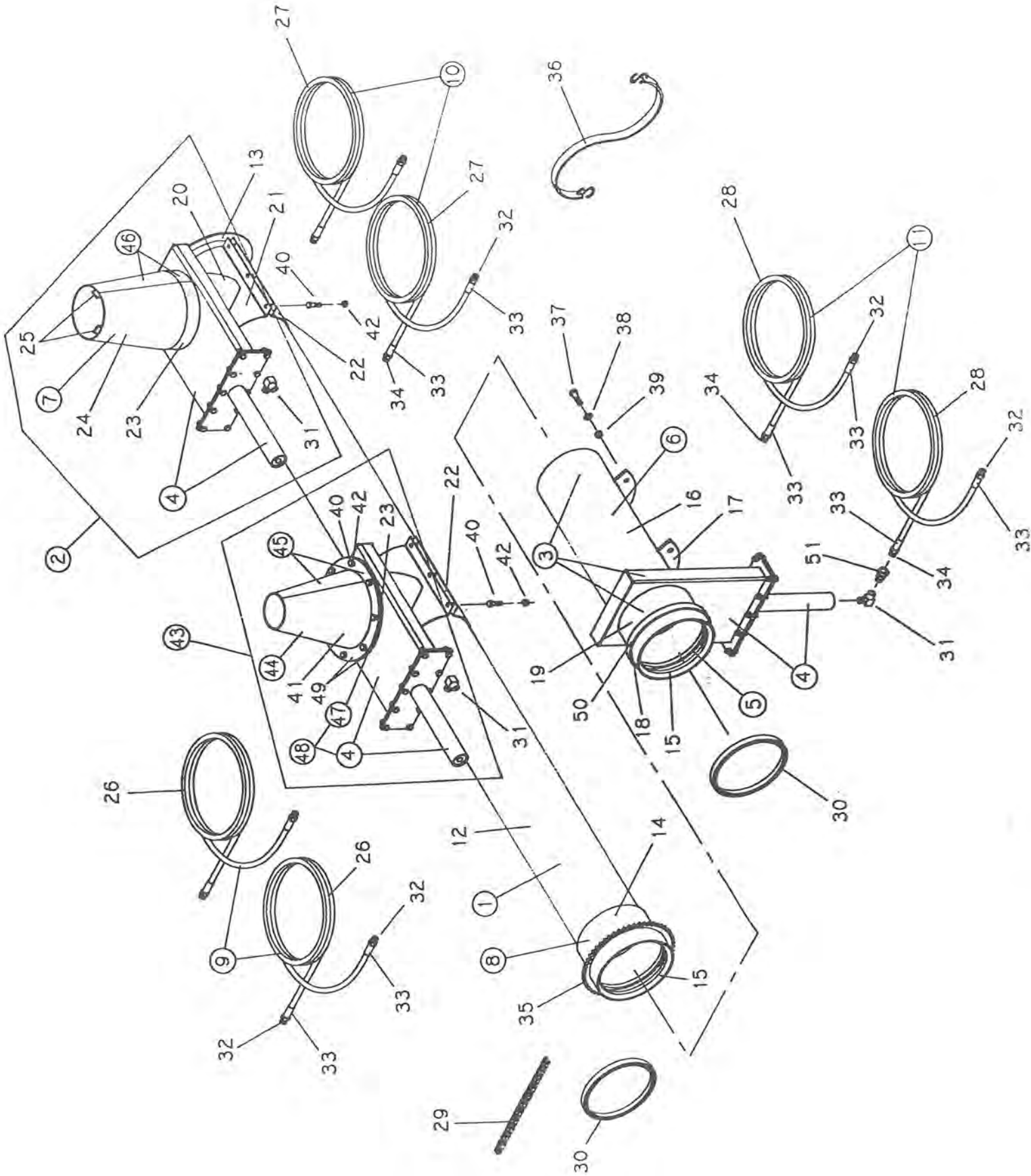
Please order parts by number

H5000

**HUSKY LIQUID MANURE PUMP**

OPERATING INSTRUCTIONS:

1. Do not leave pump in manure pit - remove pump from pit - wash off and cover with old oil or diesel fuel.
2. Do not over rev tractor while pumping as discharge spout will lift into the air. If pumping fast tie down spout.
3. The (urethane) marine bearing at the bottom of the pump is lubricated with manure or water. If the level of the liquid is below the bearing and you are running for long periods put a water hose in the top of stand pipe.
4. Always fill all hydraulic motors and cylinders with oil before installing in pit.
5. EXTREME DANGER - Never enter a dirty Manure Spreader or Storage Tank - one breath of Hydrogen Sulfide Gas is enough to kill. Have a ladder in your pit, so that if by accident you should fall in, you can get out again. Keep all lids closed and open pits fenced to keep children and animals out.
6. For open centre hydraulic tractors, use short plug on right hand end of hydraulic valve. For closed centre hydraulics use long plug with o-ring. (Oil must flow in left hand end of valve).



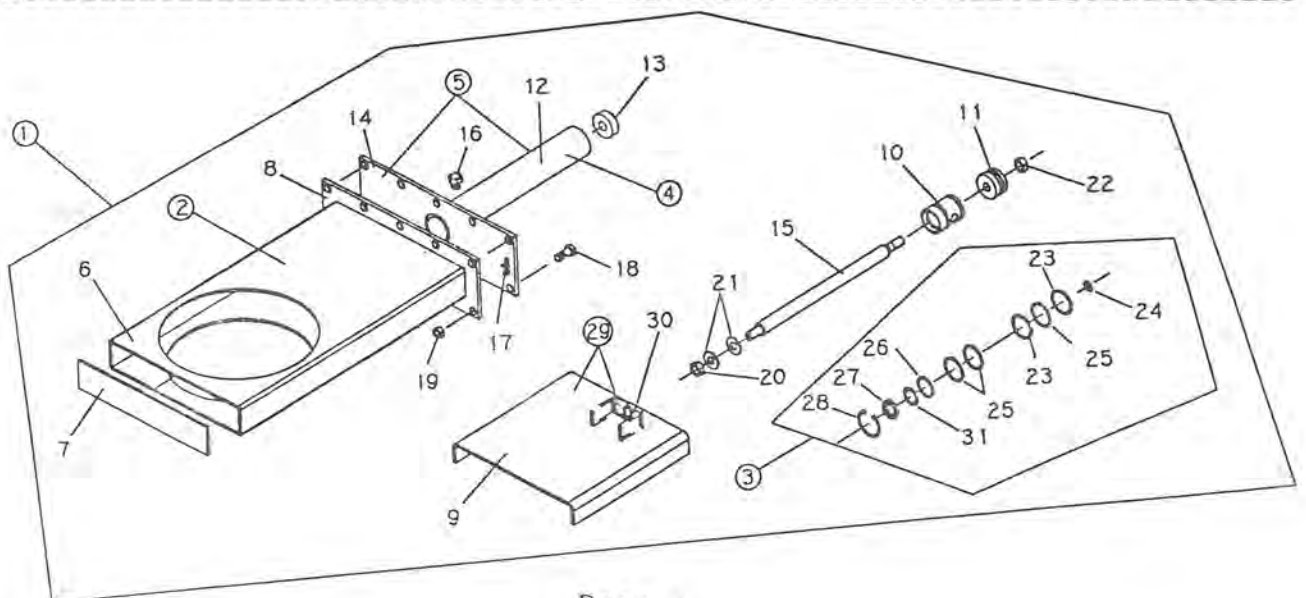
H5000 STANDPIPE

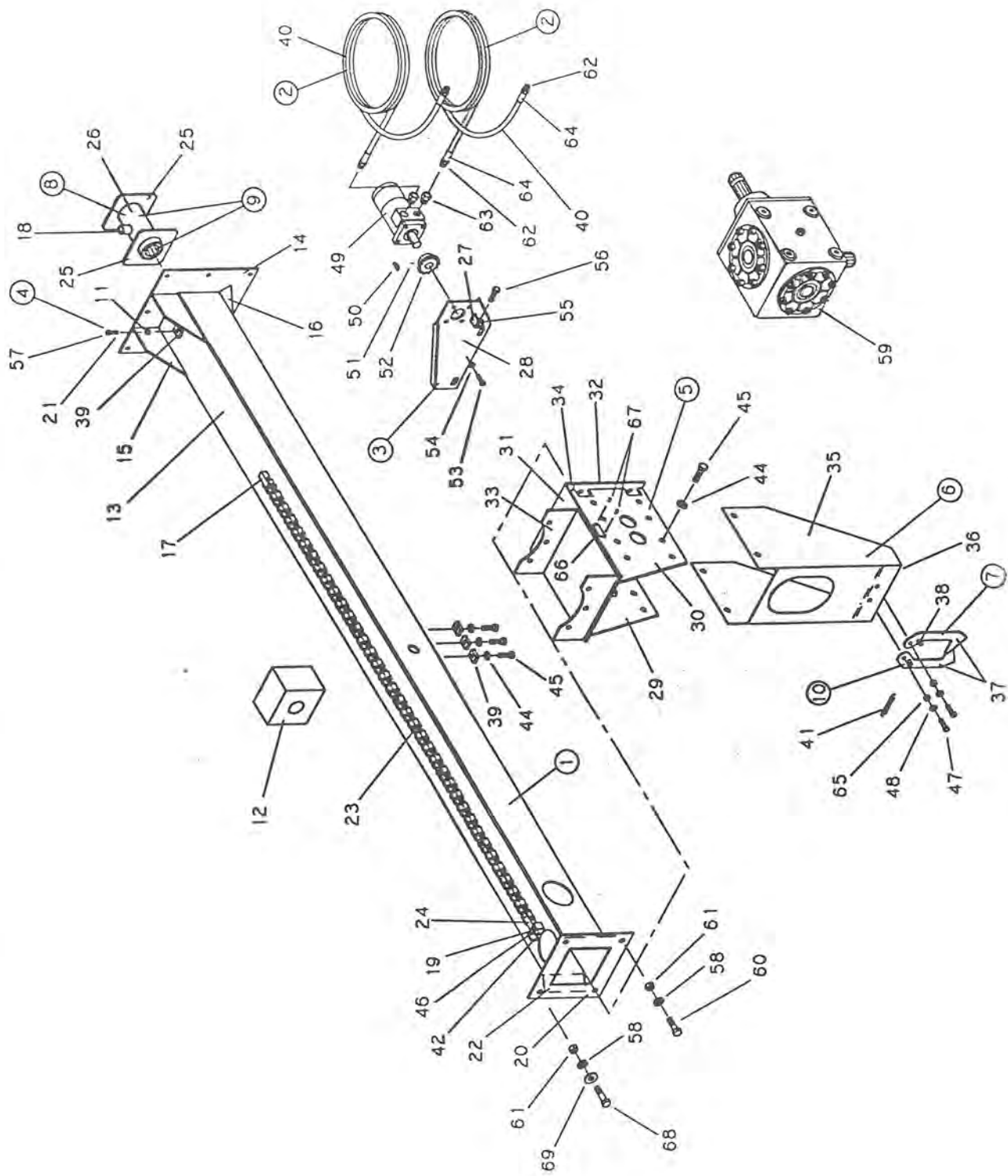
KEY	PART NUMBER	DESCRIPTION	QTY
1	242-90-00-000	STANDPIPE ASSY - 8FT PUMP	1
	244-91-00-000	STANDPIPE ASSY - 10FT PUMP	1
	246-92-00-000	STANDPIPE ASSY - 12FT PUMP	1
2	242-93-00-000	VALVE CYLINDER & CONE ASSY COMPLETE	1
3	242-95-00-000	UPPER STANDPIPE & VALVE ASSY	1
4	242-36-00-000	VALVE & CYLINDER ASSY	3
5	242-10-11-000	UPPER EXTENSION PIPE ASSY	1
6	242-10-10-000	UPPER FIXED STANDPIPE ASSY	1
7	242-93-23-000	LOWER CONE ASSY	1
8	242-09-09-000	LOWER EXTENSION PIPE ASSY	1
9	242-40-00-000	HYD HOSE A.-CONTROL TO TOP TEE- 8FT.	2
	244-46-00-000	HYD HOSE A.-CON. TO TOP TEE-10 &12FT.	2
10	242-41-00-000	HYD HOSE A.-CON. TO BOTTOM TEE -8 FT.	2
	244-47-00-000	HYD HOSE A.-CON. TO BOTTOM TEE -10FT.	2
	246-52-00-000	HYD HOSE A.-CON. TO BOTTOM TEE -12FT.	2
11	242-39-00-000	HYD HOSE A.-CON. TO DISCHARGE - 8FT.	2
	244-45-00-000	HYD HOSE A.-CON. TO DISCHARGE -10FT.	2
	246-51-00-000	HYD HOSE A.-CON. TO DISCHARGE -12FT.	2
	242-38-00-000	HYD HOSE ASSY (USED W/2PT HITCH)	2
12	242-90-00-216	STANDPIPE - 8FT. PUMP	1
	244-91-00-217	STANDPIPE - 10FT. PUMP	1
	246-92-00-218	STANDPIPE - 12FT. PUMP	1
13	242-04-04-026	STANDPIPE RING	1
14	242-09-09-048	EXTENSION PIPE	1
15	242-09-09-049	COUPLING BASE	2
16	242-10-10-052	FIXED UPPER STANDPIPE	1
17	242-10-10-053	STANDPIPE HOLD DOWN BRKT	2
18	242-10-11-054	HOOK RING	1
19	270-01-18-134	VALVE EXTENSION PIPE	1
20	242-93-00-219	TEE SIDE	2
21	242-93-00-220	CONE CLAMP ON BRKT	2
22	242-00-00-221	CLAMP ON BRKT	2
23	242-93-23-224	CONE MOUNT	2
24	242-93-23-226	CONE	2
25	242-07-00-046	CONE RIBS	8
26	242-40-00-164	HYD HOSE - 8FT. PUMP	2
	244-46-00-171	HYD HOSE - 10FT. & 12FT. PUMP	2
27	242-41-00-160	HYD HOSE - 8FT. PUMP	2
	244-47-00-172	HYD HOSE - 10FT. PUMP	2
28	246-52-00-178	HYD HOSE - 12FT. PUMP	2
	242-39-00-163	HYD HOSE - 8FT. PUMP	2
	244-45-00-170	HYD HOSE - 10FT. PUMP	2
	242-35-00-159	HYD HOSE - 12FT. PUMP	2

<u>KEY</u>	<u>PART NUMBER</u>	<u>DESCRIPTION</u>	<u>QTY</u>
	242-38-00-162	HYD HOSE (USED W/2PT HITCH)	2
29	242-00-00-137	#50 ROLLER CHAIN COMPLETE WITH C/L	1
30	R02360	STANDPIPE GASKET	2
31	R21366	3/8" STEEL ELBOW	3
32	R20803	3/8-18 NPT SOLID STEM - M	6
33	R21231	FERRULES	12
34	R20806	3/8-18 NPT SWIVEL STEM - M	6
35	R20610	AGITATOR TURN SPROCKET	1
36	R09533	RUBBER STRAP - 8FT. PUMP	1
		RUBBER STRAP -10FT. & 12FT. PUMP	2
37	R07674	1/2 X 1 1/4 HEX HD BOLT	6
38	R07805	1/2 LOCK WASHER	6
39	R07785	1/2 HEX NUT	6
40	R07671	7/16 X 1 1/4 HEX HD BOLT	20
41	242-20-29-244	CONE	2
42	R07879	7/16 FLANGE NUTS	20
43	242-20-00-000	UPPER VALVE & CONE COMPLETE	1
44	242-20-29-000	UPPER CONE ASSY	1
45	242-20-53-000	UPPER CONE ASSY	1
46	242-93-40-000	LOWER CONE & MOUNT ASSY	1
47	242-30-51-000	UPPER CONE FLANGE ASSY	1
48	242-20-52-000	UPPER VALVE & FLANGE ASSY	1
49	242-58-48-285	FLANGE	2
50	242-10-11-297	OUTER HOOK RING	1
51	R21336	3/8-18 NPT RESTRICTOR	1

1 1/2" VALVE & CYL. KIT

KEY	PART NUMBER	DESCRIPTION	QTY
1	242-36-00-000	1 1/2" VALVE & CYLINDER COMPLETE (KIT)	3
2	242-97-00-000	VALVE HOUSING ASSY	1
3	340-47-00-000	O'RING KIT FOR 1 1/2" HYD CYL	1
4	270-55-25-000	HYDRAULIC CYLINDER & FLANGE COMPLETE	1
5	270-55-26-000	CYLINDER TUBE ASSY	1
6	242-97-00-229	VALVE TUBE	1
7	242-97-00-230	VALVE END CAP	1
8	242-97-00-231	VALVE INNER FLANGE	1
9	242-36-40-268	VALVE GATE	1
10	340-36-00-434	WIPER BLOCK	1
11	340-36-00-435	CYLINDER PLUNGER	1
12	340-36-18-430	HYDRAULIC CYLINDER TUBE	1
13	340-36-18-431	END CAP	1
14	270-55-26-159	VALVE OUTER FLANGE	1
15	307-29-00-068	CYLINDER SHAFT	1
16	R21287	1/4 M X 3/8 STRAIGHT SWIVEL ADAPTOR	1
17	R04100	SILICONE	1
18	R07619	3/8 X 1 HEX BOLT	10
19	R07794	3/8" FLANGE NUT	10
20	R08229	1/2" STAINLESS NYLON INSERT LOCK NUT	1
21	R08222	1/2" SAE SS FLAT WASHER	2
22	R07885	1/2" LOCK NUT	1
23	R20867	BACK UPS #8-218	2
24	R20865	O RING #11-014	1
25	R20866	O RING #11-218	3
26	R20771	O RING #11-210	1
27	R20774	ROD WIPER	1
28	R07967	RETAINING RING	1
29	242-36-42-000	VALVE GATE ASSY	1
30	242-36-42-269	VALVE GATE BRKT	1
31	R20862	BACK UP #210	1





H5000 DRIVE SHAFT TUBE

<u>KEY</u>	<u>PART NUMBER</u>	<u>DESCRIPTION</u>	<u>QTY</u>
1	242-82-00-000	SHAFT TUBE ASSY. - 8FT. PUMP	1
	244-83-00-000	SHAFT TUBE ASSY. - 10FT. PUMP	1
	246-84-00-000	SHAFT TUBE ASSY. - 12FT. PUMP	1
2	242-37-00-000	HYD HOSE ASSY-CONTRL TO ROTATE- 8FT	2
	242-39-00-000	HYD HOSE ASSY-CONTRL TO ROTATE-10FT	2
	244-45-00-000	HYD HOSE ASSY-CONTRL TO ROTATE-12FT	2
	242-38-00-000	HYD HOSE (2PT HITCH)	2
3	242-13-00-000	CHAIN TIGHTNER ASSY COMPLETE	1
4	250-59-00-000	SS. SET SCREW ASSY -LONG	1
5	244-03-00-000	GEAR BOX ASSY	1
6	244-04-00-000	PTO GUARD ASSY	1
7	242-16-00-000	R H STABLIZER BRKT ASSY	1
8	242-22-27-000	MARINE BRG HOLDER ASSY	1
9	242-22-00-000	MARINE BRG AND HOLDER COMPLETE	1
10	242-96-00-000	L H STABLIZER BRKT ASSY	1
11	R08046	1/2-13 JAM NUT	1
12	R20235	1 7/8 SQ WOOD BRG	1 2*
13	242-82-00-203	SHAFT TUBE - 8FT. PUMP	1
	244-83-00-205	SHAFT TUBE - 10FT. PUMP	1
	246-84-00-206	SHAFT TUBE - 12FT. PUMP	1
14	242-82-00-204	LOWER SHAFT TUBE FLANGE	1
15	242-11-00-057	GUSSET STOP PLATE	2
16	242-11-00-058	SHAFT TUBE GUSSET	2
17	242-11-00-059	CHAIN HOLD DOWN BRKT	1
18	242-22-27-236	SLEEVE SET SCREW PIPE	1
19	242-11-00-061	TIGHTENER BRKT	1
20	242-11-00-062	DRIVE SHAFT TUBE END PLATE	1
21	250-59-00-141	SS SET SCREW REDDI ROD - LONG	1
22	242-11-00-064	TUBE GUSSET	2
23	242-00-00-065	LIFT CHAIN - 8FT. PUMP	1
	244-00-00-169	LIFT CHAIN - 10FT. PUMP	1
	246-00-00-177	LIFT CHAIN - 12FT. PUMP	1
24	242-00-00-066	CHAIN TIGHTENER	1
25	242-22-27-235	BRG HOLDER PLATE	2
26	250-76-34-180	MARINE BRG HOLDER	1
27	242-13-12-069	ROLLER CHAIN TIGHTENER BRKT	1
28	242-13-00-070	HYD MOTOR MOUNT	1
29	244-03-00-263	R H GEARBOX MOUNT PLATE	1
30	244-03-00-262	L H GEARBOX MOUNT PLATE	1
31	242-14-00-073	GEARBOX PLATE	1
32	242-14-00-074	GEARBOX LOWER PLATE	1

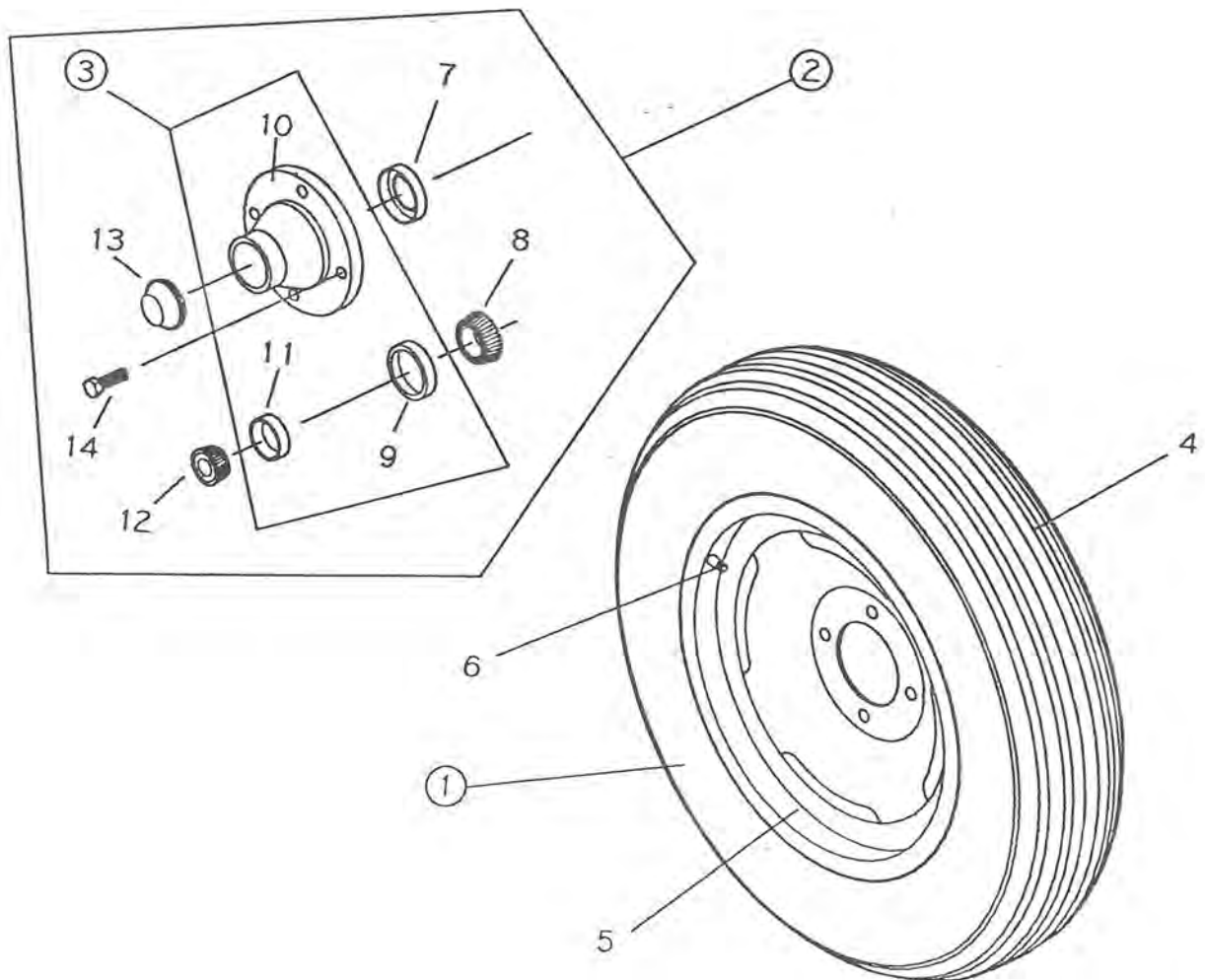
KEY	PART NUMBER	DESCRIPTION	QTY	
33	242-14-00-075	STANDPIPE SADDLE	1	
34	244-03-00-270	GUSSET	1	
35	244-04-00-264	PTO GUARD	1	
36	244-04-00-265	PTO GUARD REINFORCING ANGLE	1	
-----				
37	242-16-00-079	STABLIZER BRKT	2	
38	242-16-00-080	SPRING RETAINING ROD	2	
39	250-05-00-126	SS SET SCREW LUG	4	7*
40	242-37-00-161	HYD HOSE-CON. TO ROTATE- 8FT. PUMP	2	
-----				
	242-39-00-163	HYD HOSE-CON. TO ROTATE-10FT. PUMP	2	
	244-45-00-170	HYD HOSE-CON. TO ROTATE-12FT. PUMP	2	
	242-38-00-162	HYD HOSE (2PT HITCH)	2	
41	R08025	STABLIZER BRKT SPRING	1	
-----				
42	R07868	3/8-24 UNF X 1 1/2 SOCKET HD CAP SCREW	1	
43	R20803	3/8-18 NPT SOLID STEM	2	
44	R07805	1/2" LOCK WASHER	11	14*
45	R07674	1/2 X 1 1/4 -13UNC HEX BOLT	3	6*
-----				
46	R07797	3/8 HEX NUT -24	1	
47	R07671	7/16 X 1 HEX HD BOLT	2	
48	R07824	7/16 FLAT WASHER	2	
49	R20851	HYD MOTOR 101-1008	1	
-----				
50	R11114	1 X 1/4 WOODRUFF KEY	1	
51	R07903	1/4 X 3/8 SET SCREW	1	
52	R20602	#50 B12 SPROCKET - 1" BORE	1	
53	R07670	3/8 X 7/8 HEX HD BOLT	4	
-----				
54	R07803	3/8 LOCK WASHER	4	
55	R07785	1/2 HEX NUT	1	
56	R07638	1/2 X 1 1/2 HEX HD BOLT	1	
57	R08235	1/2" S.S. HEX NUT	1	
-----				
58	R07806	5/8 LOCK WASHER	4	
59	R21139	1:1.35 GEARBOX	1	
60	R07646	5/8 X 1 1/2 HEX HD BOLT	2	
61	R07786	5/8 HEX NUT	4	
-----				
62	R20806	3/8 -18 NPT SWIVEL STEM - M	2	
63	R02043	1/2 X 3/8 BUSHING	2	
64	R21231	FERRULES	4	
65	R07891	7/16-2 WAY LOCK NUT	2	
-----				
66	R09071	SERIAL NUMBER	1	
67	R08162	DRIVE SCREWS	2	
68	R07647	5/8 X 2 HEX HD BOLT	2	
69	R07826	5/8 FLAT WASHER	2	

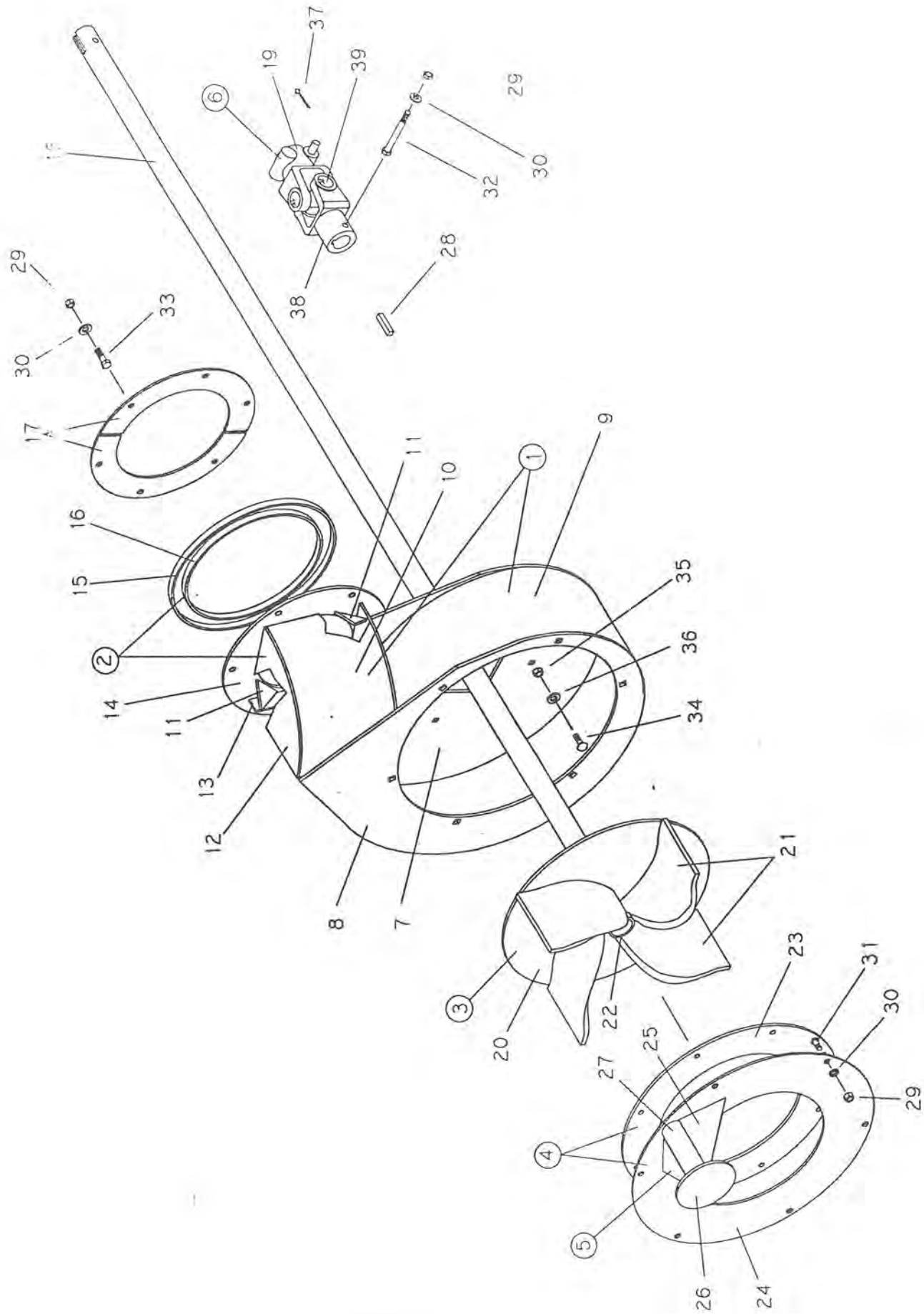
\* On 12 Ft. Pumps & Larger



<u>KEY</u>	<u>PART NUMBER</u>	<u>DESCRIPTION</u>	<u>QTY</u>
1	250-65-00-000	TIRE & WHEEL ASSY -5.90 X 15	2
2	250-60-30-000	H-411 HUB COMPLETE	2
3	R20139	H-411 HUB W/ CUPS	2
4	R20016	5.90 X 15 RIB IMPLEMENT TIRE	2
-----			
5	R20057	4.5 X 15 WHEEL - 4 BOLT	2
6	R20020	VALVE STEM	2
7	R20144	OIL SEAL	2
8	R20159	INNER CONE	2
-----			
9	R20129	INNER CUP	2
10	R20160	H-411 HUB	2
11	R20130	OUTER CUP	2
12	R20158	OUTER CONE	2
-----			
13	R20143	DUST CAP	2
14	R20145	WHEEL BOLTS - 1/2 - 20 X 1 1/4	8

\* OPTIONAL



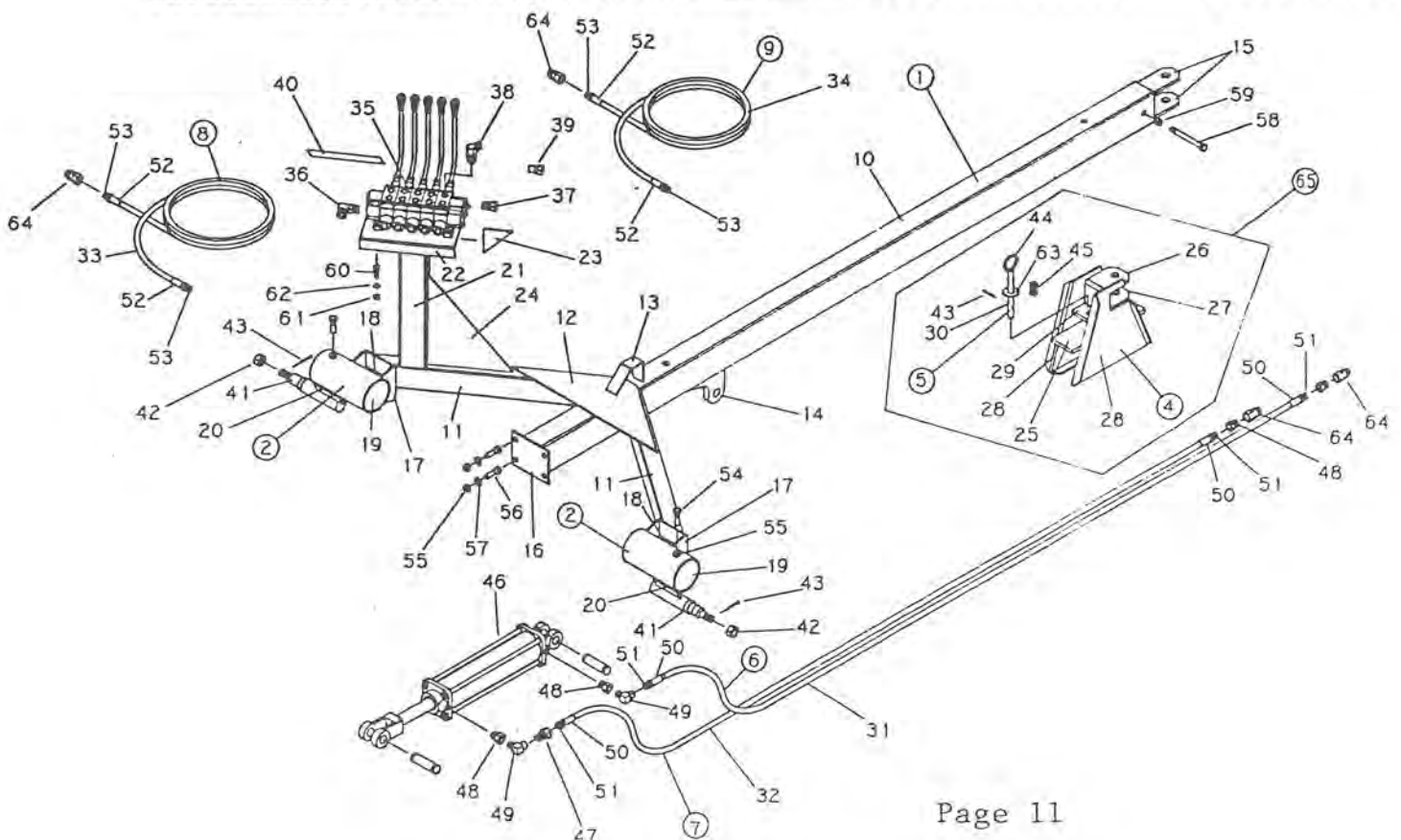


IMPELLER & HOUSING ASSEMBLY

KEY	PART NUMBER	DESCRIPTION	QTY
1	242-88-00-000	FAN HOUSING ASSY	1
2	242-88-20-000	BOOT ASSY	1
3	244-02-00-000	IMPELLER ASSY	1
4	244-01-00-000	COVER PLATE ASSY	1
-----			
5	250-04-03-000	FOOT ASSY	1
6	242-54-00-000	KNUCKLE ASSY	1
7	242-88-00-210	UPPER FAN HOUSING	1
8	242-88-00-211	LOWER FAN HOUSING	1
-----			
9	242-88-00-212	HOUSING BAND	1
10	242-88-20-213	BOOT END PLATE	1
11	242-01-00-015	CORNER PCS	4
12	242-88-20-214	SIDE PLATE	2
-----			
13	242-01-00-014	FILLER PLATE	1
14	242-01-03-011	BACK PLATE	1
15	242-01-03-012	OUTER BAND	1
16	242-01-03-013	INNER BAND	1
-----			
17	242-00-00-017	HALF RINGS	2
18	242-00-00-258	IMPELLER SHAFT - 8 FT.	1
	244-00-00-259	IMPELLER SHAFT -10 FT.	1
	246-00-00-260	IMPELLER SHAFT -12 FT.	1
-----			
19	242-54-00-237	Q.D. YOKE 1 3/4 27 T	1
20	242-85-24-227	IMPELLER BACK PLATE	1
21	244-02-00-257	IMPELLER BLADE	4
22	250-03-11-018	IMPELLER GUIDE RING	1
-----			
23	244-01-00-255	COVER PLATE SUPPORT	1
24	244-01-00-256	COVER PLATE	1
25	250-04-00-173	FOOT GUSSET	2
26	250-04-03-012	FOOT END	1
-----			
27	250-04-03-013	FOOT	1
28	270-00-00-075	3/8 X 3/8 X 2 KEY	1
29	R07784	7/16 HEX NUT	13
30	R07804	7/16 LOCK WASHER	13
-----			
31	R07731	7/16 X 1 CARRIAGE BOLT	6
32	R07634	7/16 X 4 HEX BOLT	1
33	R07629	7/16 X 1 1/2 HEX HD BOLT	6
34	R07721	3/8 X 1 CARRIAGE BOLT	8
-----			
35	R07783	3/8 HEX NUT	8
36	R07803	3/8 LOCK WASHER	8
37	R08081	1/8 X 1 SS. COTTER PIN	1
38	R20384	1 3/4 ROUND HOLE YOKE	1
-----			
39	R20385	JOURNAL & BRG KIT	1

## TRAILER ASSEMBLY

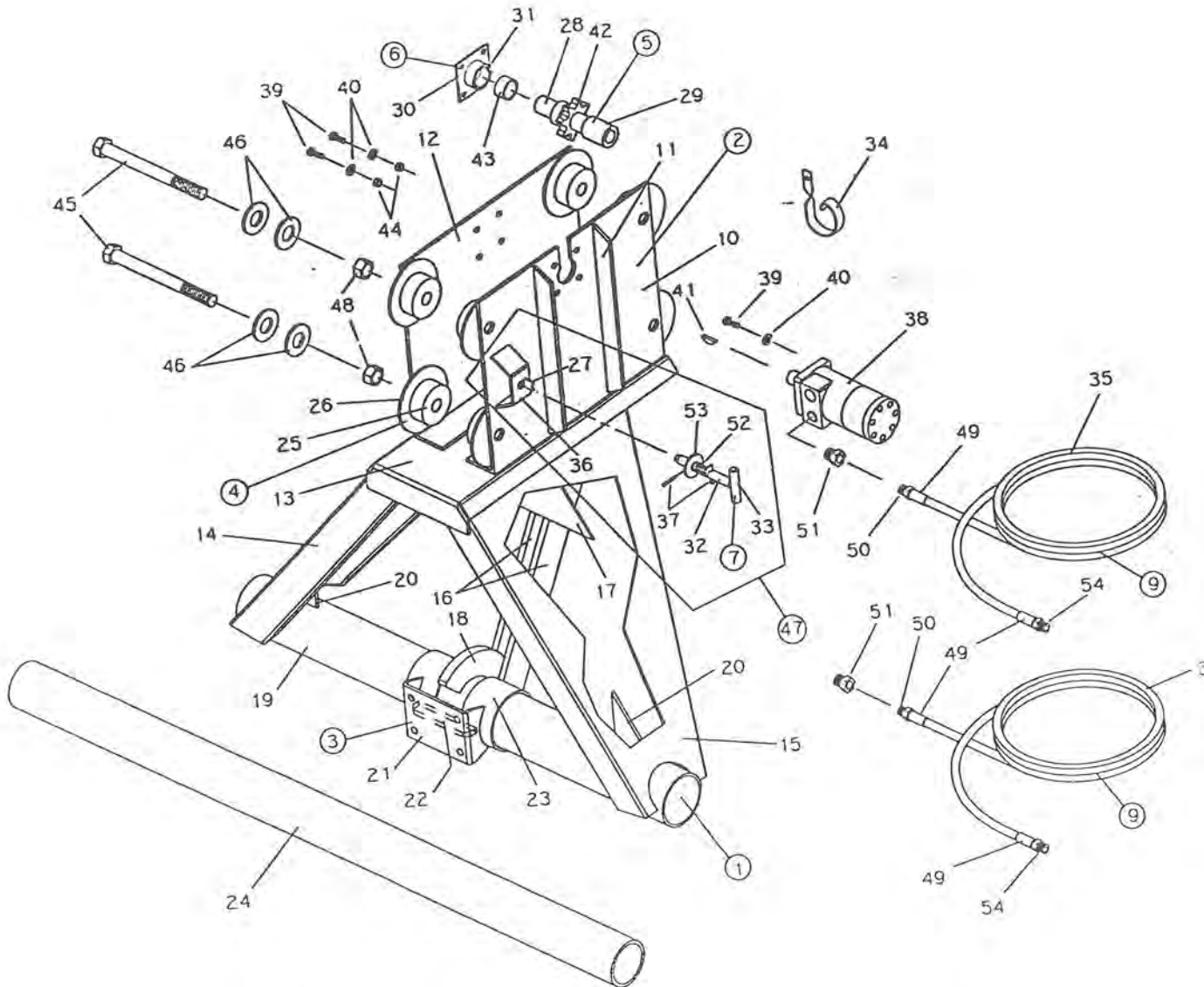
KEY	PART NUMBER	DESCRIPTION	QTY
1	242-89-00-000	TRAILER ASSY	1
2	242-18-14-000	SPINDLE TUBE HOLDER R.H.	1
	242-18-28-000	SPINDLE TUBE HOLDER L.H.	1
3	242-18-15-000	CONTROL VALVE STAND ASSY	1
<hr/>			
4	242-99-00-000	HITCH ASSY	1
5	242-98-00-000	DROP PIN ASSY	1
6	242-35-00-000	HYDRAULIC HOSE ASSY - TRACTOR TO CYL	1
7	242-34-00-000	HYDRAULIC HOSE ASSY - TRACTOR TO CYL	1
<hr/>			
8	242-71-00-000	HYDRAULIC HOSE ASSY - TRACTOR TO CONTRL	1
	290-33-00-000	HYDRAULIC HOSE - 2 PT HITCH	*
9	242-72-00-000	HYDRAULIC HOSE ASSY - TRACTOR TO CONTRL	1
	290-33-00-000	HYDRAULIC HOSE - 2 PT HITCH	*
<hr/>			
10	242-18-00-092	TRAILER TUBE	1
11	242-18-00-093	FRAME TUBE BRACE	2
12	242-18-00-094	MAIN FRAME BUSSET	1
13	242-18-00-095	HITCH STOP	1
<hr/>			
14	242-18-00-096	CYLINDER GUSSET	1
15	242-89-00-243	TRAILER TUBE TONGUE PLATE	2
16	242-18-00-099	TONGUE BRKT	1
17	242-18-14-100	AXLE BRACE BRKT	2
<hr/>			
18	242-18-14-101	AXLE BRACE BRKT SUPPORT	2
19	242-18-00-102	OUTER SLEEVE	2
20	242-89-00-215	SPINDLE REINFORCING BAR	2
21	242-18-15-103	CONTROL VALVE STAND TUBE	1



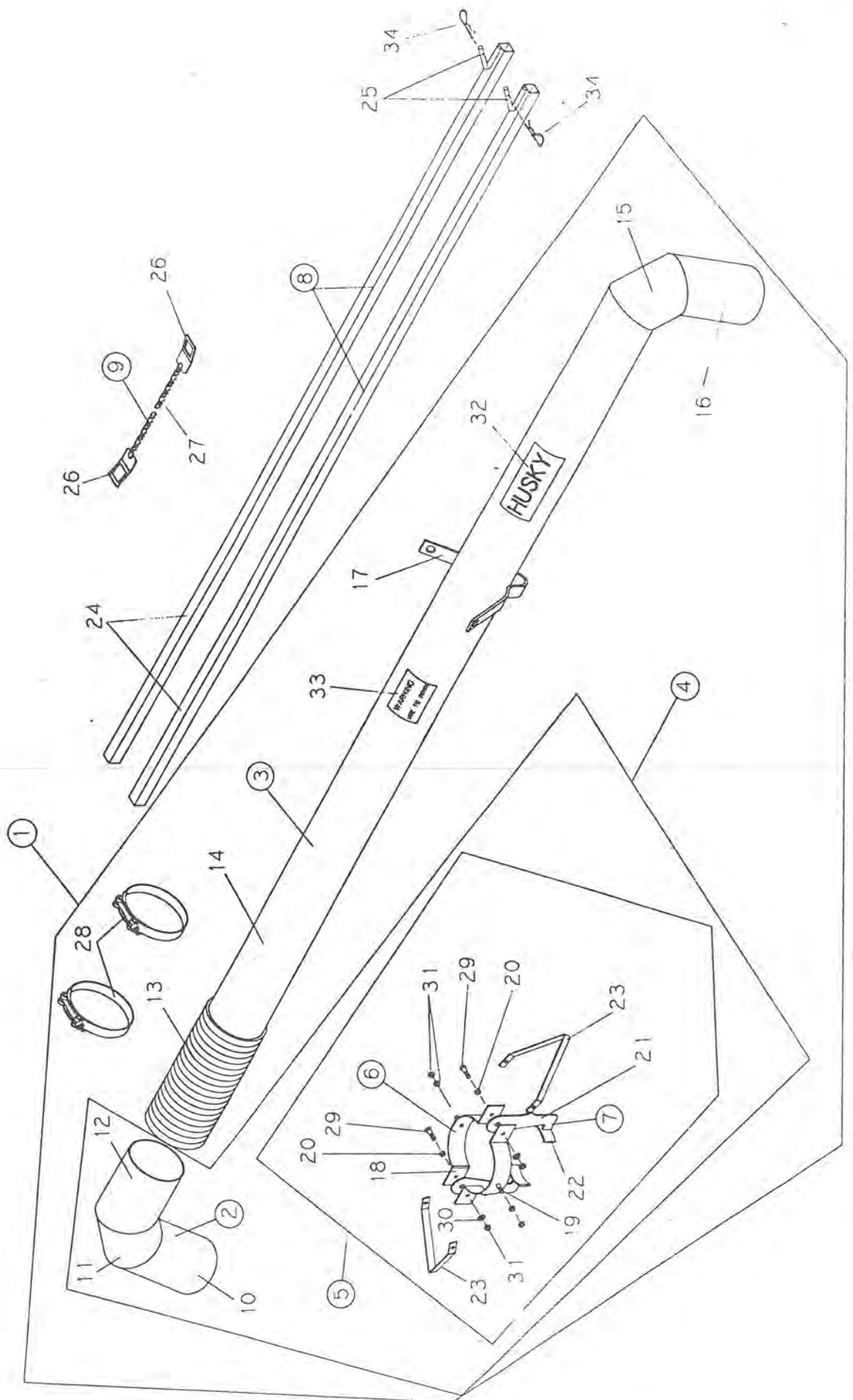
<u>KEY</u>	<u>PART NUMBER</u>	<u>DESCRIPTION</u>	<u>QTY</u>
22	242-18-15-104	CONTROL VALVE PLATE	1
23	242-18-15-105	CONTROL VALVE PLATE GUSSET	2
24	242-18-15-106	STAND TUBE GUSSET	1
25	242-99-00-238	HITCH BRKT	1
26	242-99-00-239	UPPER TONGUE PLATE	1
27	242-99-00-240	LOWER TONGUE PLATE	1
28	242-99-00-241	HITCH SIDE PLATE L.H.	1
	242-99-00-245	HITCH SIDE PLATE R.H.	1
29	242-99-00-242	PIN BRK	1
30	242-98-00-233	DROP PIN	1
31	242-35-00-159	1/4" HYDRAULIC HOSE	1
32	242-34-00-158	1/4" HYDRAULIC HOSE	1
33	242-71-00-188	1/2" HYDRAULIC HOSE	1
34	242-72-00-189	1/2" HYDRAULIC HOSE	1
35	R20794	5 BANK VALVE	1
36	R20814	3/4-16SAE X 1/2NPT 90DEG SWVL ADAPTOR	1
37	R21276	3/4-16 SAE X 1/2 NPT SWIVEL ADAPTOR	
38	R20826	3/4-16SAE X 3/8NPT 45DEG SWVL ADAPTOR	10
39	R20795	CLOSED CENTRE PLUG	1
	R21376	OPEN CENTRE PLUG	1
40	R09506	CONTROL VALVE STICKER	1
41	R20141	SPINDLE (COMPLETE W/NUT)	2
42	R20142	3/4-16 SLOTTED HEX NUT	2
43	R08002	5/32 X 1 1/2 COTTER PIN	1
44	R07925	1/4 X 1 1/2 PLATED RING	1
45	R08027	SPRING	1
46	R20729	3 X 14" HYDRAULIC CYLINDER	1
47	R21336	3/8-18 NPT RESTRICTOR	1
48	R02043	1/2 X 3/8 BUSHING	4
49	R21366	3/8 X 90 DEGREE STEEL STREET ELBOW	2
50	R20805	1/4" FERRULE	4
51	R20803	3/8-18 NPT SOLID MALE STEM	4
52	R21240	1/2" FERRULE	4
53	R20818	1/2-14 NPT SOLID MALE STEM	4
54	R07637	1/2 X 1 HEX HEAD BOLT	2
55	R07785	1/2 HEX NUT	6
56	R07674	1/2 X 1 1/4 HEX HEAD BOLT	4
57	R07805	1/2 LOCK WASHER	4
58	R07642	1/2 X 3 1/2 HEX HEAD BOLT	1
59	R07885	1/2" LOCK NUT	1
60	R07675	3/8 X 1 1/4 HEX HEAD BOLT	3
61	R07783	3/8 HEX NUTLE	3
62	R07803	3/8 LOCK WASHER	3
63	R07826	5/8 FLAT WASHER	1
64	R21342	1/2" PIONEER FITTING	4
65	244-06-00-000	HITCH KIT	1

### H5000 "A" FRAME

KEY	PART NUMBER	DESCRIPTION	QTY
1	242-17-00-000	"A" FRAME ASSY	1
2	242-17-13-000	R H SPOOL HOLDER ASSY	1
3	242-19-00-000	TONGUE AXLE BRKT	1
4	242-24-00-000	SPOOL ASSY	8
<hr/>			
5	242-25-00-000	SPROCKET DRIVE ASSY	1
6	242-26-00-000	BUSHING HOLDER ASSY	1
7	242-17-18-000	SIDE LOCK PIN ASSY	1
8	242-17-17-000	SIDE LOCK BRKT ASSY	1
<hr/>			
9	242-38-00-000	HYD HOSE ASSY	2
10	242-17-13-081	SPOOL HOLDER R H	1
11	242-17-13-082	SPOOL HOLDER BRACE	2
12	242-17-00-083	SPOOL HOLDER L H	1



<u>KEY</u>	<u>PART NUMBER</u>	<u>DESCRIPTION</u>	<u>QTY</u>
13	242-17-00-084	TILT FRAME BASE	1
14	242-17-00-085	L H SUPPORT ARM	1
15	242-17-00-086	R H SUPPORT ARM	1
16	242-17-00-087	REINFORCING BARS	2
17	242-17-00-088	TILT FRAME GUSSET	1
18	242-17-00-089	CYLINDER AXLE BRKT	1
19	242-17-00-090	WHEEL SHAFT SLEEVE	1
20	242-17-00-091	SUPPORT ARM GUSSET	2
21	242-19-00-107	TONGUE AXLE BRKT	1
22	242-19-00-108	TONGUE AXLE BRKT REINFORCING BAR	1
23	242-19-00-109	OUTER SLEEVE	2
24	242-00-00-113	INNER AXLE	1
25	242-24-00-128	SPOOL ROLLER	8
26	242-24-00-129	SPOOL END PLATE	8
27	242-17-17-194	PIN STOP	1
28	242-25-00-131	SPROCKET SHAFT	1
29	242-25-00-132	MOTOR TO SHAFT COUPLING	1
30	242-26-00-133	BUSHING HOLDER PLATE	1
31	242-26-00-134	BUSHING HOLDER	1
32	242-17-18-195	SIDE LOCK PIN	1
33	242-17-18-196	PIN HANDLE	1
34	242-00-00-157	HOSE NIBLICK	1
35	242-38-00-162	6 MM HYD HOSE	2
36	242-17-17-193	SIDE LOCK BRKT	1
37	R07943	3/16 X 1 1/2 ROLL PIN	2
38	R20851	HYDRAULIC MOTOR #101-1008	1
39	R07670	3/8 X 7/8 HEX HD BOLT	8
40	R07803	3/8 LOCK WASHER	8
41	R11114	SPROCKET DRIVE KEY (C/W HYD MOTOR)	1
42	250-25-00-257	80 B-8 SPROCKET -32MM BORE	1
43	R20259	BRASS BUSHING 1 1/4 X 1 1/2 X 3/4	1
44	R07783	3/8 HEX NUT	4
45	R07697	7/8 X 9 HEX BOLT	4
46	R07828	1" FLAT WASHER	8
47	242-27-00-000	SIDE LOCK KIT	1
48	R08047	7/8" LOCK NUT	4
49	R20805	FERRULES	4
50	R20803	3/8-18 NPT SOLID STEM	2
51	R02043	1/2 X 3/8 BUSHING	2
52	R08027	SPRING	1
53	R07826	5/8 FLAT WASHER	1
54	R20806	3/8-18 NPT SWIVEL ADAPTOR	2





## DISCHARGE PIPE ASSEMBLY

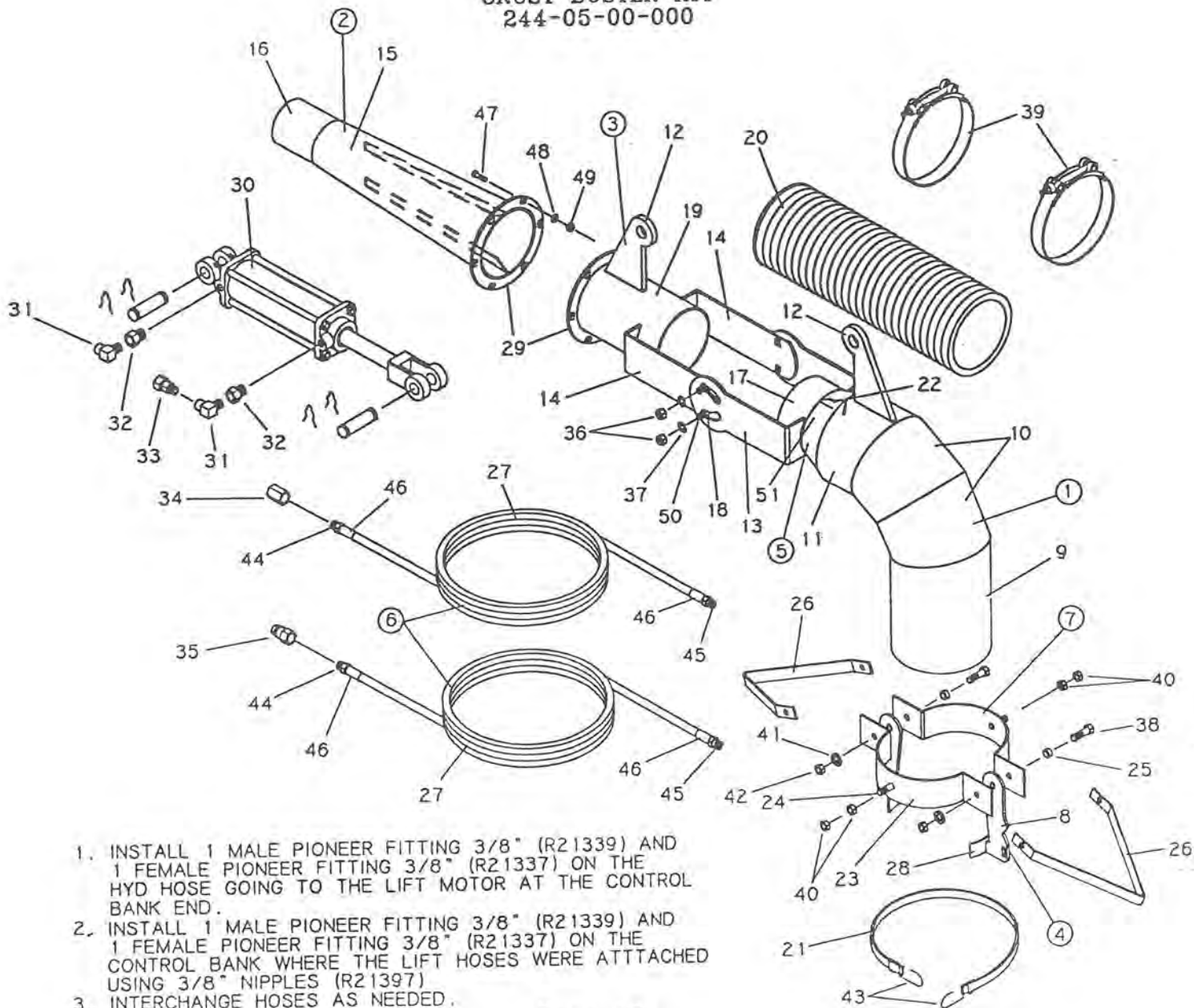
KEY	PART NUMBER	DESCRIPTION	QTY
1	242-62-00-000	DISCHARGE PIPE COMPLETE 15 FT	1
	270-43-00-000	DISCHARGE PIPE COMPLETE 20 FT	*
2	242-28-00-000	PUMP ELBOW ASSY	1
3	242-30-00-000	DISCHARGE PIPE ASSY - 15 FT	1
	270-42-00-000	DISCHARGE PIPE ASSY - 20 FT	*
4	242-81-00-000	DISCHARGE ELBOW & PIPE CONN KIT	1
5	270-44-00-000	DISCHARGE PIPE CONN HOOK KIT	1
6	242-31-00-000	DISCHARGE PIPE SLEEVE ASSY	2
7	242-32-00-000	DISCHARGE PIPE HOOK ASSY	2
8	242-33-00-000	BIPOD LEG ASSY	2
9	242-79-00-000	BIPOD LEG CHAIN ASSY	1
10	242-28-00-138	PUMP ELBOW BASE SECTION	1
11	242-28-00-139	PUMP ELBOW MIDDLE SECTION	1
12	242-28-00-140	PUMP ELBOW UPPER SECTION	1
13	242-00-00-141	FLEX HOSE SECTION	1
14	242-30-00-145	DISCHARGE PIPE - 15 FT	1
	270-42-00-130	DISCHARGE PIPE - 20 FT	1
15	242-30-00-146	DISCHARGE ELBOW CENTRE PC	1
16	242-30-00-147	DISCHARGE ELBOW END PIECE	1
17	242-30-00-148	DISCHARGE PIPE HOOK	1
18	242-31-00-149	DISCHARGE PIPE SLEEVE	2
19	242-31-00-150	REDDI ROD	2
20	242-00-00-152	HOOK SPACER	2
21	242-32-00-153	DISCHARGE PIPE LOCK HOOK	2
22	242-32-00-154	HOOK PLATE	2
23	242-00-00-151	BRACKET LOCK	2
24	242-33-00-155	BIPOD LEGS	2
25	242-33-00-156	LEG HOOKS	2
26	242-79-00-198	BIPOD LEG CLIP	2
27	242-79-00-199	BIPOD LEG CHAIN	1
28	R02484	8" BAUER SUPER CLAMPS	2
29	R07611	5/16 X 1 HEX HD BOLT	2
30	R07802	5/16 LOCK WASHER	4
31	R07782	5/16 HEX NUT	4
32	R09502	HUSKY DECAL	1
33	R09690	TIE DOWN DECAL	1
34	R07948	5/32 HAIRPIN	2

\* OPTIONAL

CRUST BUSTER (244-05-00-000)

KEY	PART NUMBER	DESCRIPTION	QTY
1	244-05-43-000	ELBOW ASSY	1
2	244-05-44-000	CONE ASSY 6" TO 4"	1
3	244-05-46-000	CONE EXTENSION ASSY	1
4	244-05-45-000	HD DISCHARGE PIPE HOOK ASSY	2
-----			
5	244-05-47-000	CONE ASSY 8" TO 6"	1
6	244-45-00-000	HYDRAULIC HOSE ASSY	2
7	242-31-00-000	DISCHARGE PIPE SLEEVE ASSY	2
8	244-05-45-272	HD DISCHARGE PIPE HOOK	2
-----			
9	244-05-43-273	ELBOW BASE PC	1
10	244-05-43-274	ELBOW MIDDLE PC	2
11	244-05-43-275	ELBOW TOP PC	1
12	270-63-29-191	CYLINDER BRKT	2

CRUST BUSTER KIT  
244-05-00-000

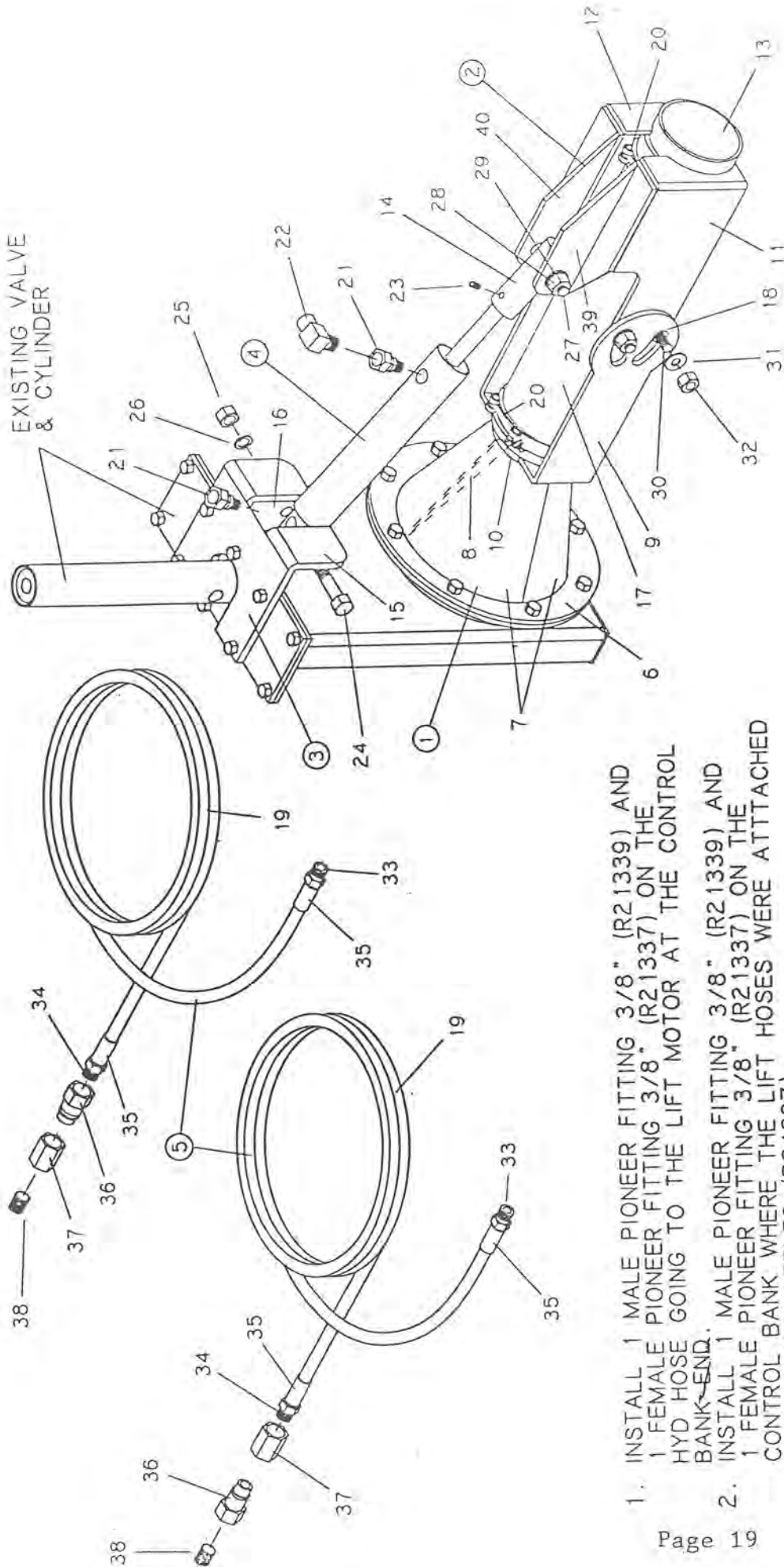


1. INSTALL 1 MALE PIONEER FITTING 3/8" (R21339) AND 1 FEMALE PIONEER FITTING 3/8" (R21337) ON THE HYD HOSE GOING TO THE LIFT MOTOR AT THE CONTROL BANK END.
2. INSTALL 1 MALE PIONEER FITTING 3/8" (R21339) AND 1 FEMALE PIONEER FITTING 3/8" (R21337) ON THE CONTROL BANK WHERE THE LIFT HOSES WERE ATTACHED USING 3/8" NIPPLES (R21397)
3. INTERCHANGE HOSES AS NEEDED.

## CRUST BUSTER CONTINUED

<u>KEY</u>	<u>PART NUMBER</u>	<u>DESCRIPTION</u>	<u>QTY</u>
13	244-05-43-276	MAIN PIVOT BRKT	2
14	244-05-46-277	INNER PIVOT BRKT	2
15	244-05-44-278	CONE (HALF)	2
16	244-05-44-279	CONE EXTENSION PIPE	1
17	270-63-34-189	EXTENSION PIPE	1
18	244-05-00-281	SPACER PIPE	4
19	244-05-46-284	EXTENSION PIPE	1
20	270-63-00-187	FLEX HOSE	1
21	244-05-00-282	RUBBER STRAP	1
22	270-63-34-192	CONE RIB	4
23	242-31-00-149	DISCHARGE PIPE SLEEVE	2
24	242-31-00-150	REDDI ROD	2
25	242-00-00-152	HOOK SPACER	2
26	242-00-00-151	BRACKET LOCK	2
27	244-45-00-170	HYD HOSE	2
28	242-32-00-154	HOOK PLATE	2
29	364-19-00-087	FLANGE	2
30	R20725	2 X 8 HYDRAULIC CYLINDER	1
31	R21366	3/8" STEEL STREET ELBOW	2
32	R02043	1/2 X 3/8 BUSHING	2
33	R21336	3/8-18 NPT RESTRICTOR	1
34	R21337	3/8" FEMALE PIONEER FITTING	3
35	R21339	3/8" MALE PIONEER FITTING	3
36	R07891	7/16 - 2 WAY LOCK NUT	4
37	R07824	7/16 FLAT WASHER	4
38	R07611	5/16 X 1 HEX BOLT	2
39	R02484	6" CLAMP	2
40	R07782	5/16 HEX NUT	4
41	R07802	5/16 LOCK WASHER	2
42	R07782	5/16 HEX NUT	2
43	R11114	RUBBER STRAP HOOK	2
44	R20803	3/8-18 NPT SOLID STEM - M	2
45	R20806	3/8 - 18 NPT SWIVEL STEM - M	2
46	R21231	FERRULE	4
47	R07619	3/8 X 1 HEX BOLT	6
48	R07803	3/8 LOCK WASHER	6
49	R07783	3/8 HEX NUT	6
50	R07733	7/16 X 1 1/2 CARRIAGE BOLT	4
51	270-63-34-188	CONE	1

# HYDRAULIC DEFLECTOR KIT 242-58-00-000



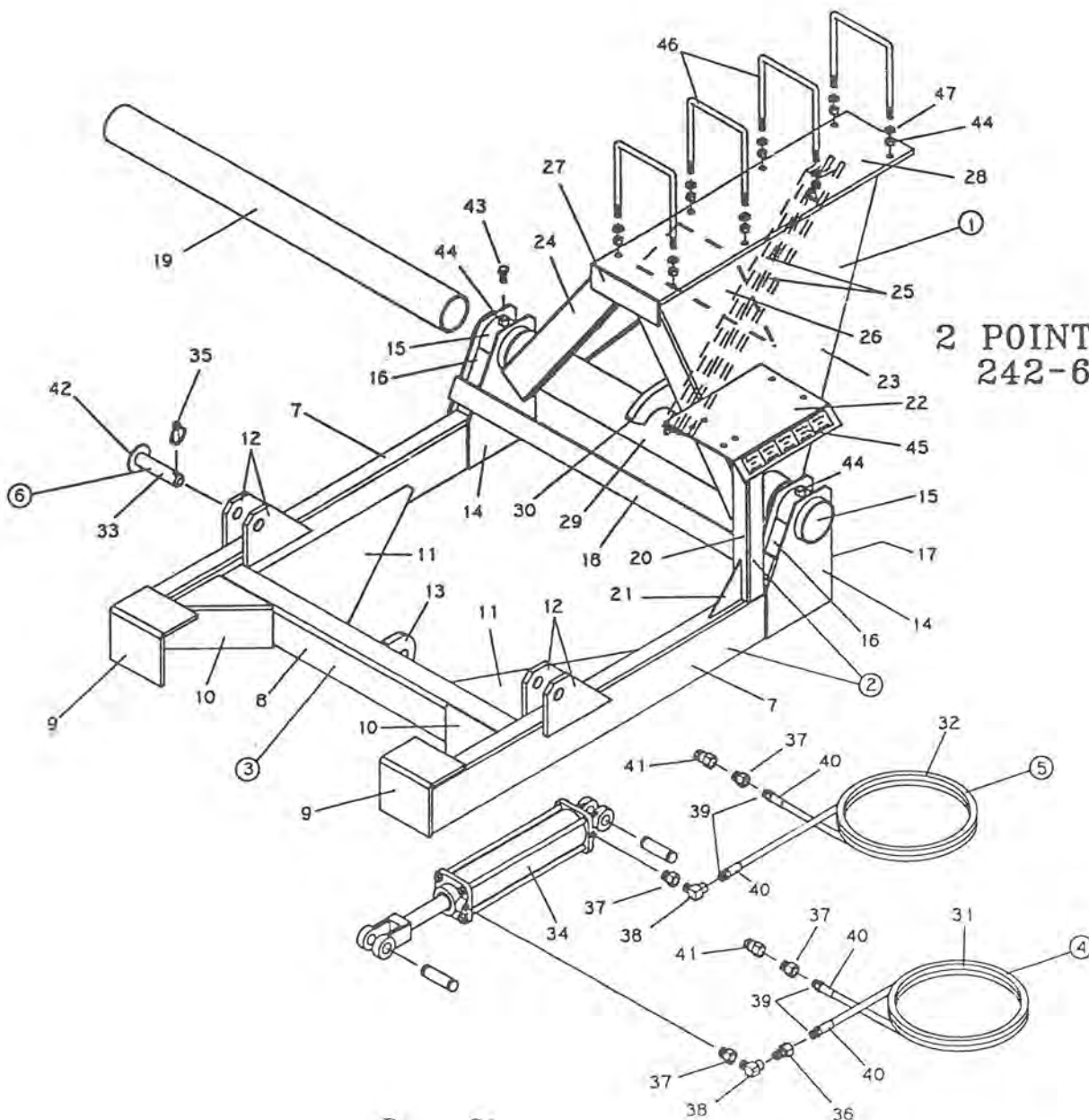
1. INSTALL 1 MALE PIONEER FITTING 3/8" (R21339) AND 1 FEMALE PIONEER FITTING 3/8" (R21337) ON THE HYD HOSE GOING TO THE LIFT MOTOR AT THE CONTROL BANK-~~END~~.
2. INSTALL 1 MALE PIONEER FITTING 3/8" (R21339) AND 1 FEMALE PIONEER FITTING 3/8" (R21337) ON THE CONTROL BANK WHERE THE LIFT HOSES WERE ATTACHED USING 3/8" NIPPLES (R21397)
3. INTERCHANGE HOSES AS NEEDED.

## HYDRAULIC DEFLECTOR KIT

KEY	PART NUMBER	DESCRIPTION	QTY
1	242-58-48-000	DEFLECTOR CONE ASSY	1
2	242-58-49-000	DEFLECTOR DISCHARGE ASSY	1
3	242-58-50-000	CYLINDER MOUNT ASSY	1
4	275-15-00-000	1 1/2" HYDRAULIC CYLINDER COMPLETE	1
<hr/>			
5	242-39-00-000	HYDRAULIC HOSE ASSY - 8 FT. MODEL	2
	244-45-00-000	HYDRAULIC HOSE ASSY -10 FT. MODEL	*
	246-51-00-000	HYDRAULIC HOSE ASSY -12 FT. MODEL	*
6	242-58-48-285	DEFLECTOR FLANGE	1
<hr/>			
7	242-58-48-286	DEFLECTOR CONE	2
8	242-58-48-287	CONE RIB	4
9	242-58-48-288	OUTER PIVOT BRKT	2
10	242-58-49-289	CONE EXTENSION PIPE	1
<hr/>			
11	242-58-49-290	RH INNER PIVOT BRKT	1
12	242-58-49-291	LH INNER PIVOT BRKT	1
13	242-58-49-292	EXTENSION PIPE	1
14	242-58-00-293	CYLINDER SHAFT LUG	1
<hr/>			
15	242-58-50-294	CYLINDER MOUNT	1
16	242-58-50-295	CYLINDER MOUNT BRKT	2
17	242-58-00-296	FLEX HOSE	1
18	244-05-00-281	SPACER PIPE	4
<hr/>			
19	242-39-00-163	HYDRAULIC HOSE - 8 FT. MODEL	2
	244-45-00-170	HYDRAULIC HOSE -10 FT. MODEL	*
	242-35-00-159	HYDRAULIC HOSE -12 FT. MODEL	*
20	R02481	4" SUPER CLAMP	2
<hr/>			
21	R21287	1/4 M X 3/8 F ST. SWIVEL ADAPTER	2
22	R21366	3/8 STREET ELBOW	1
23	R07926	5/16-18 X 1/4 SS. SET SCREW	1
24	R07641	1/2 X 3 HEX BOLT	1
<hr/>			
25	R07785	1/2" HEX NUT	1
26	R07805	1/2" LOCK WASHER	1
27	R07649	5/8 X 3 HEX BOLT	1
28	R07786	5/8 HEX NUT	1
<hr/>			
29	R07806	5/8 LOCK WASHER	1
30	R07731	7/16 X 1 1/4 CARRIAGE BOLT	4
31	R07824	7/16 FLAT WASHER	4
32	R07891	7/16 NYLOCK NUT	4
<hr/>			
33	R20806	3/8-18 NPT SWIVEL STEM - M	
34	R20803	3/8-18 NPP SOLID STEM - M	
35	R21231	FERRULES	4
36	R21339	MALE PIONEER FITTING	2
<hr/>			
37	R21337	FEMALE PIONEER FITTING	2
38	R21397	3/8" NIPPLE	2
39	242-58-49-298	R.H. BRACKET	1
40	242-58-49-299	L.H. BRACKET	1

### H5000 - 2 POINT HITCH

KEY	PART NUMBER	DESCRIPTION	QTY
1	242-60-35-000	TILT FRAME ASSEMBLY	1
2	242-60-41-000	MAIN FRAME ASSY W/CONTROL STAND	1
3	250-87-44-000	MAIN FRAME LESS CONTROL STAND	1
4	250-87-51-000	HYD HOSE ASSEMBLY	1
5	250-87-52-000	HYD HOSE ASSY	1
6	250-87-56-000	HITCH PIN ASSY	2
7	250-87-44-215	LEFT ARM	2
8	250-87-44-216	CROSS BRACE	1

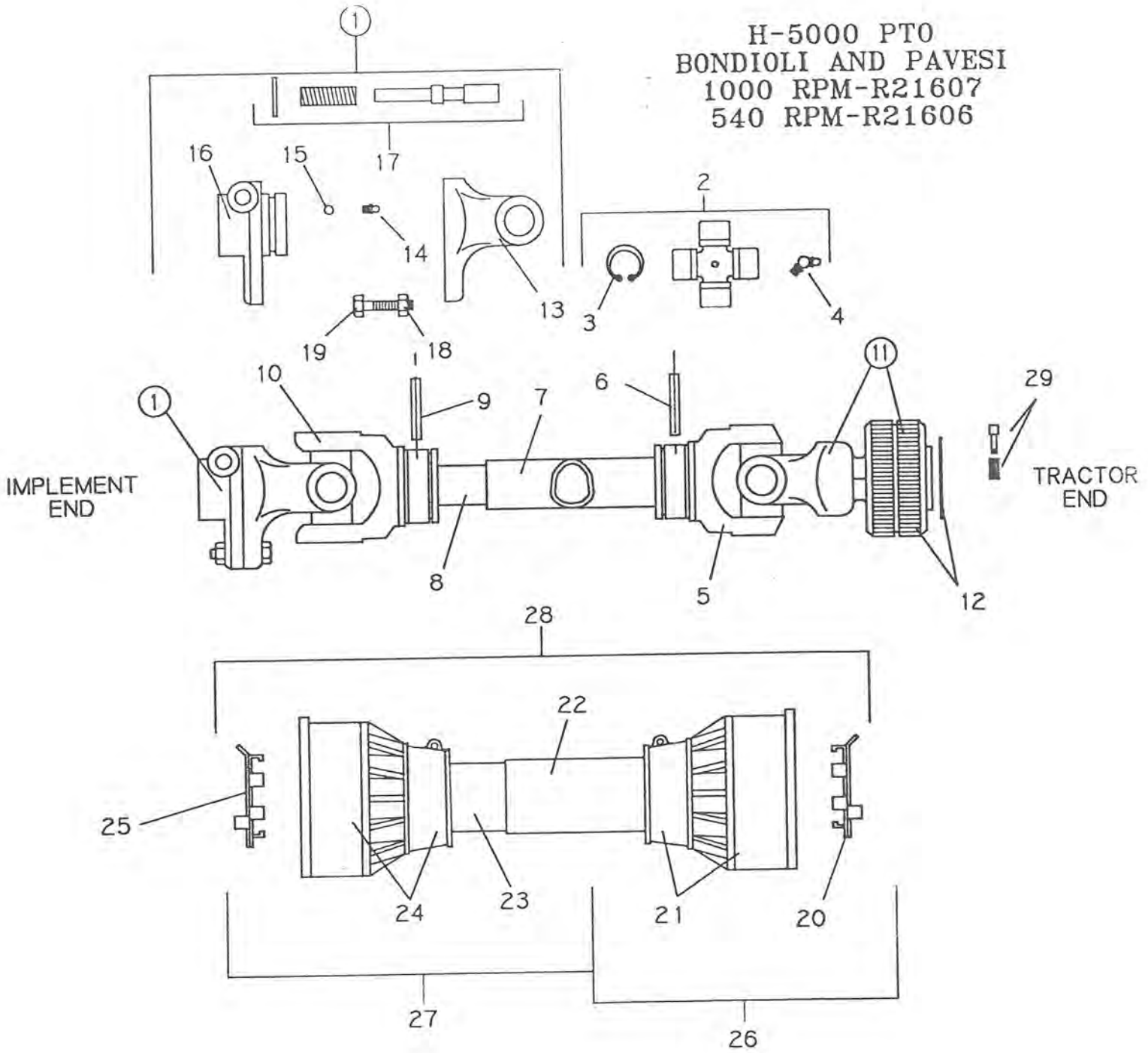


**2 POINT HITCH KIT  
242-60-00-000**

## 2 POINT HITCH - CONT'D

KEY	PART NUMBER	DESCRIPTION	QTY
9	250-87-44-217	END CAP	2
10	250-87-44-218	ANGLE GUSSET	2
11	250-87-44-219	CROSS BRACE GUSSET	2
12	250-87-44-220	LIFT BRKTS	4
13	250-87-44-221	CYLINDER LUG	1
14	250-87-44-222	TILT FRAME BRKT	4
15	250-87-44-223	TILT FRAME BRKT SLEEVE	2
16	250-87-44-224	FRONT FILLER PLATE	2
17	250-87-44-225	REAR FILLER PLATE	2
18	250-87-44-226	CROSS STRAP	1
19	250-87-00-227	INNER AXLE TUBE	1
20	242-60-41-266	CONTROL VALVE STAND TUBE	1
21	242-60-41-267	GUSSET	1
22	242-18-15-104	CONTROL VALVE PLATE	1
23	242-60-35-247	L.H. SUPPORT ARM	1
24	242-60-35-248	R.H. SUPPORT ARM	1
25	242-60-35-249	REINFORCING BARS	2
26	242-60-35-250	TILT FRAME GUSSET	1
27	242-60-35-251	GUSSET	1
28	242-60-35-252	TOP SUPPORT PLATE	1
29	250-87-45-230	SUPPORT ARM SLEEVE	1
30	250-87-45-231	CYLINDER AXLE BRKT	1
31	250-87-51-258	HYDRAULIC HOSE	1
32	250-87-52-259	HYDRAULIC HOSE	1
33	250-87-56-264	PIN	2
34	R20724	4 X 14" HYDRAULIC CYLINDER	1
35	R08040	2-18 LYNCH PIN	2
36	R21336	3/8-18 NPT RESTRICTOR	1
37	R02043	1/2 X 3/8 BUSHING	4
38	R21366	3/8 X 90 DEGREE HYD STREET ELBOW	1
39	R20803	3/8-18 NPT SOLID MALE STEM	4
40	R20805	FERRULE	4
41	R21342	1/2 PIONEER COUPLER	2
42	R07828	1" FLAT WASHER	2
43	R07637	1/2 X 1-13 UNC HEX HD BOLT	2
44	R07785	1/2-13 UNC HEX NUT	10
45	R09506	CONTROL VALVE STICKER	1
46	R08174	'U' BOLT 1/2-13 UNC	4
47	R07805	1/2" LOCK WASHER	8

H-5000 PTO  
 BONDIOLI AND PAVESI  
 1000 RPM-R21607  
 540 RPM-R21606





## H5000 BONDIOLI &amp; PAVESI PTO

R21607 - 1000RPM

R21606 - 540 RPM

KEY	MFG#	PART #	DESCRIPTION	QTY
1	606808081	R21639	1 3/4-27 TOOTH TORQUE LIM.	1
2	41208	R21614	CROSS JOURNAL ASSY	2
3	338023001	R21621	CIRCLIP	8
4	348004000	R21655	GREASE NIPPLE	2
5	204086860	R21620	OUTER TUBE YOKE	1
6	341054000	R21613	FLEXIBLE PIN	1
7	225730823	R21616	CM CARDAN TUBE - OUTER	1
8	225690823	R21615	CM CARDAN TUBE - INNER	1
9	341055000	R21612	FLEXIBLE PIN	1
10	204086861	R21619	INNER TUBE YOKE	1
11	572083751	R21640	1 3/8-21 TOOTH QD YOKE W/SLEEVE	*
	572080351	R21641	1 3/8-6 TOOTH QD YOKE W/SLEEVE	*
12	240003551	R21713	R.S. COLLAR KIT	1
13	213080020	R21624	YOKE	1
14	348012000	R21672	5/16 GREASE ZERK	1
15	362006000	R21539	5/16 BALL	24
16	513083901	R21643	HUB C/W Q.D. 1 3/4-27T	1
17	401000034	R21715	PUSH PIN 1 3/4-27 TOOTH	1
18	M12-1.75X65	R21602	M12 X 65 HEX BOLT	1
19	M12-1.75	R21604	M12 NY-LOCK NUT	1
20	255080005	R21609	O.BEARING 8-9-10	1
21	517080071	R21610	O.CONE SETS N8-9	1
22	236850752	R21618	CM OUTER SAFETY TUBE	1
23	236840752	R21617	CM INNER SAFETY TUBE	1
24	517080061	R21611	I.CONE SETS N8-9	1
25	255080006	R21608	I.BEARING 8-9-10	1
26	5NE8101NN	R21627	HALF SAFETY GUARD - OUTER	1
27	5N18101NN	R21628	HALF SAFETY GUARD - INNER	1
28	5N08101NN	R21629	SAFETY GUARD COMPLETE	1
29	403000001	R21714	PUSH PIN COMPLETE - 1 3/8 6 TOOTH	*
	403000013	R21716	PUSH PIN COMPLETE - 1 3/8 21TOOTH	*

