

Office Copy

OCT 2. 1997 - 11 mac
Oct 30/97 10 11

Date Purchased _____ Machine Serial No. _____
Size of Pump _____ Options _____

PLEASE NOTE:

The key number system in this parts book is arranged as follows:

- 0 -- Key number with one circle denotes main assemblies
- Key Numbers not circled are individual parts.

Please order parts by number

H5000

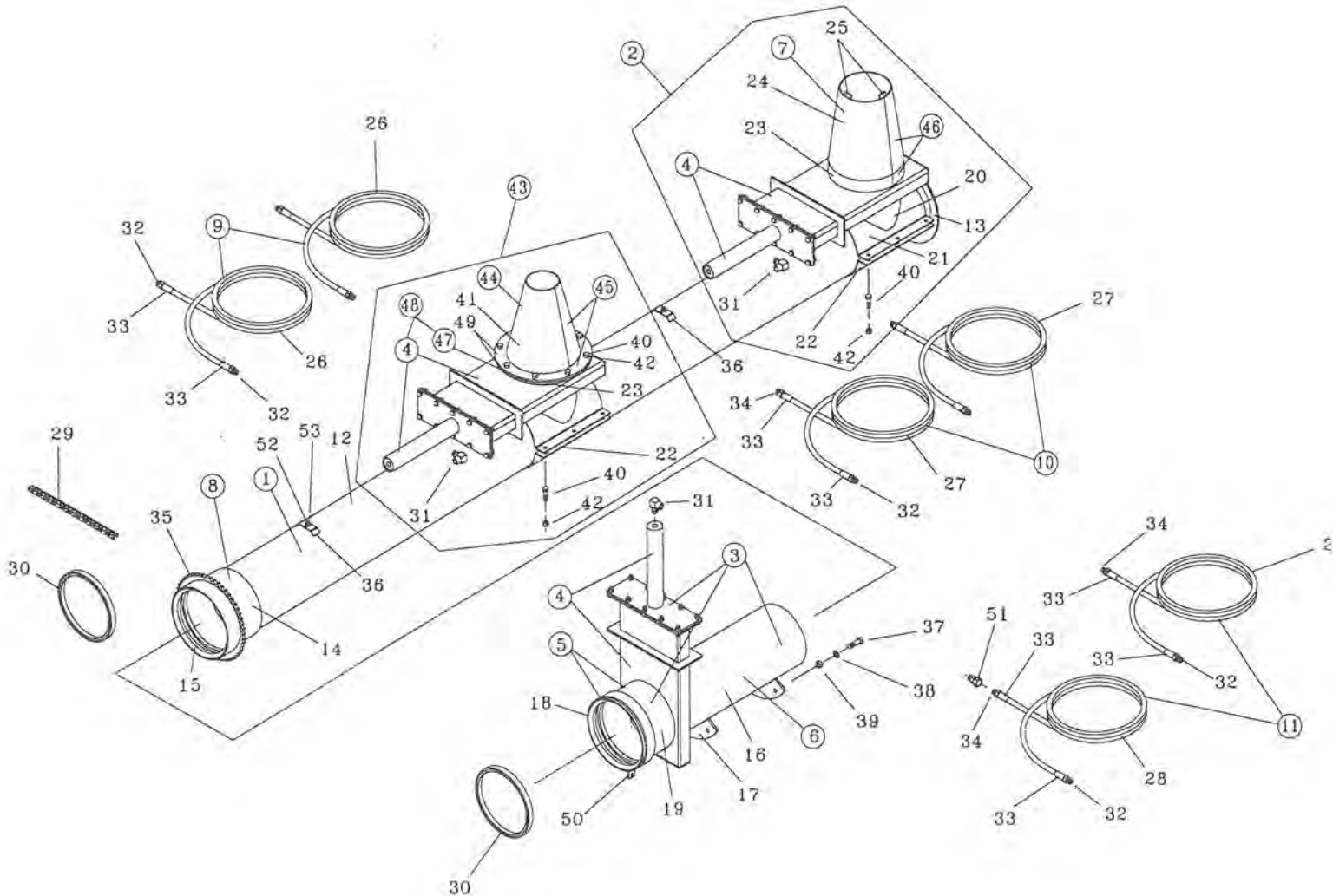
HUSKY LIQUID MANURE PUMP

OPERATING INSTRUCTIONS:

1. Do not leave pump in manure pit - remove pump from pit - wash off and cover with old oil or diesel fuel.
2. Do not over rev. tractor while pumping as discharge spout will lift into the air. If pumping fast tie down spout.
3. The (Urethane) marine bearing at the bottom of the pump is lubricated with manure or water. If the level of the liquid is below the bearing and you are running for long periods put a water hose in the top of standpipe.
4. Always fill all hydraulic motors and cylinders with oil before installing in pit.
5. EXTREME DANGER - Never enter a dirty manure spreader or storage tank - one breath of hydrogen sulphide gas is enough to kill. Have a ladder in your pit, so that if by accident you should fall in, you can get out again. Keep all lids closed and open pits fenced to keep children and animals out.
6. For open centre hydraulic tractors, use short plug on right hand end of hydraulic valve. For closed centre hydraulics use long plug with O Ring. (Oil must flow in left hand end of valve).

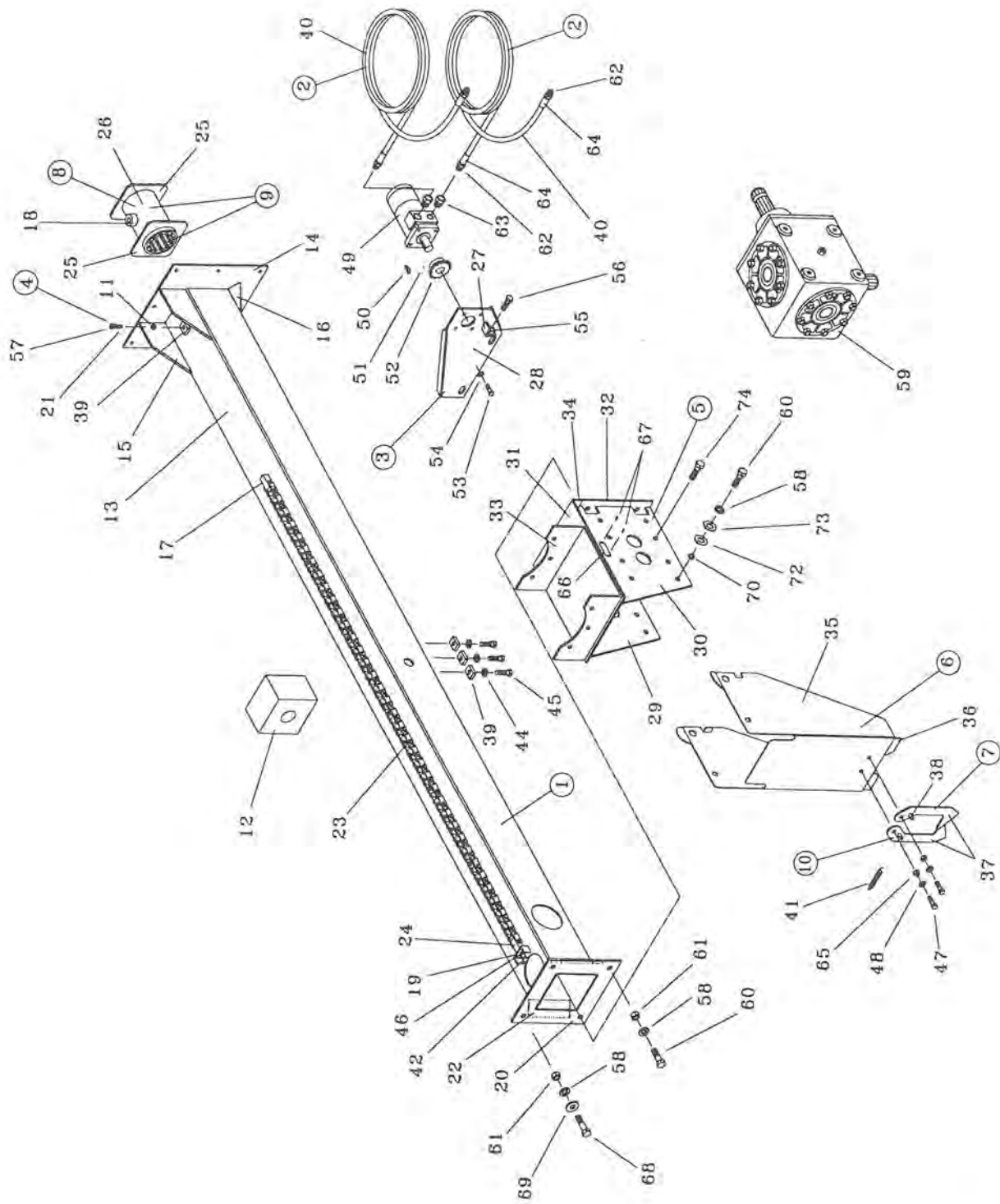
H5000 STANDPIPE

<u>Keys</u>	<u>Parts Number</u>	<u>Description</u>	<u>Qty</u>
1	242-90-00-000	Standpipe Assembly - 8 Ft. Pump	1
	244-91-00-000	Standpipe Assembly -10 Ft. Pump	1
	246-92-00-000	Standpipe Assembly - 12 Ft. Pump	1
2	244-16-00-000	Valve Cylinder & Cone Assy. Complete	1
3	244-17-00-000	Upper Standpipe & Valve Assy.	1
4	244-14-00-000	Valve & Cylinder Assy.	3
5	244-07-01-000	Upper Extension Pipe Assy.	1
6	242-10-10-000	Upper Fixed Standpipe Assy.	1
7	242-93-23-000	Lower Cone Assy.	1
8	242-09-09-000	Lower Extension Pipe Assy.	1
9	244-46-00-000	Hyd Hose Assy-Control To Top Tee-8 Ft. 10Ft & 12Ft	2
10	242-41-00-000	Hyd Hose Assy. - Control to Bottom Tee - 8 Ft.	2
11	244-47-00-000	Hyd Hose Assy. - Control to Bottom Tee - 10 Ft.	2
	246-52-00-000	Hyd Hose Assy. - Control to Bottom Tee - 12 Ft.	2
	244-19-00-000	Hyd Hose Assy. - Control to Discharge - 8 Ft.	2
	246-20-00-000	Hyd Hose Assy. - Control to Discharge - 12 Ft.	2



H5000 STANDPIPE CONTINUED

<u>Keys</u>	<u>Parts Number</u>	<u>Description</u>	<u>Qty</u>
	246-51-00-000	Hyd Hose Assy. - Control to Discharge - 10 Ft.	2
	242-37-00-000	Hyd Hose Assy. (Used w/ 2PT Hitch)	2
12	242-90-00-216	Standpipe - 8 Ft. Pump	1
	244-91-00-217	Standpipe - 10Ft. Pump	1
	246-92-00-218	Standpipe - 12Ft. Pump	1
13	242-04-04-026	Standpipe Ring	1
14	242-09-09-048	Extension Pipe	1
15	242-09-09-049	Coupling Base	1
16	242-10-10-052	Fixed Upper Standpipe	1
17	242-10-10-053	Standpipe Hold Down Bracket	2
18	244-07-01-306	Coupling Base - Upper	1
19	270-01-18-134	Valve Extension Pipe	1
20	242-93-00-219	Tee Side	2
21	242-93-00-220	Cone Clamp On Bracket	2
22	242-00-00-221	Clamp On Bracket	2
23	242-93-23-224	Cone Mount	2
24	242-93-23-226	Cone	2
25	242-07-00-046	Cone Ribs	8
26	244-46-00-171	Hyd Hose - 8 Ft., 10 Ft. & 12 Ft. Pump	2
27	242-41-00-160	Hyd Hose - 8 Ft. Pump	2
	244-47-00-172	Hyd Hose - 10 Ft. Pump	2
	246-52-00-178	Hyd Hose - 12 Ft. Pump	2
28	244-19-00-334	Hyd Hose - 8 Ft. Pump	2
	246-20-00-335	Hyd Hose - 12 Ft. Pump	2
	242-35-00-159	Hyd Hose - 10 Ft. Pump	2
	242-37-00-161	Hyd Hose (Used w/ 2PT Hitch)	2
29	242-00-00-137	#50 Roller Chain Complete with C/L	1
30	R02360	Standpipe Gasket	2
31	R21366	3/8" Steel Elbow	3
32	R20803	3/8-18 NPT Solid Stem - M	6
33	R21231	Ferrules	12
34	R20806	3/8-18 NPT Swivel Stem - M	6
35	R20610	Agitator Turn Sprocket	1
36	290-00-00-167	Hyd. Hose Clip	2
37	R07674	1/2 x 1 1/4 Hex Hd Bolt	6
38	R07805	1/2 Lock Washer	6
39	R07785	1/2 Hex Nut	6
40	R07671	7/16 x 1 1/4 Hex Hd Bolt	20
41	242-20-29-244	Cone	2
42	R07879	7/16 Flange Nuts	20
43	244-15-00-000	Upper Valve & Cone Complete	1
44	242-20-29-000	Upper Cone Assy.	1
45	242-20-53-000	Upper Cone Assy.	1
46	242-93-40-000	Lower Cone & Mount Assy.	1
47	242-20-51-000	Upper Cone Flange Assy.	1
48	244-15-01-000	Upper Valve & Flange Assy.	1
49	242-58-48-285	Flange	2
50	250-96-00-298	Chain Lug	1
51	R21336	3/8-18 NPT Restrictor	1
52	R07620	3/8 x 1 1/2 Hex Bolt	2
53	R07794	3/8 Flange Nut	2



H5000 DRIVE SHAFT TUBE

<u>Key</u>	<u>Part Number</u>	<u>Description</u>	<u>Qty</u>
1	242-82-00-000	Shaft Tube Assy. Less Chain - 8 Ft. Pump	1
	244-83-00-000	Shaft Tube Assy. Less Chain -10 Ft. Pump	1
	246-84-00-000	Shaft Tube Assy. Less Chain -12 Ft. Pump	1
2	242-37-00-000	Hyd Hose Assy. - Control To Rotate - 8 Ft.	2
	242-39-00-000	Hyd Hose Assy. - Control To Rotate - 10 Ft.	2
	244-45-00-000	Hyd Hose Assy. - Control To Rotate - 12 Ft.	2
	242-38-00-000	Hyd Hose (2 PT Hitch)	2
3	242-13-00-000	Chain Tightener Assy. Complete	1
4	250-59-00-000	SS. Set Screw Assy - Long	1
5	244-03-00-000	Gear Box Holder Assy.	1
6	244-04-00-000	PTO Guard Assy.	1
7	242-16-00-000	RH Stabilizer Brkt Assy.	1
8	244-13-01-000	Marine Brg Holder	1
9	244-13-00-000	Marine Brg and Holder Complete	1
10	242-96-00-000	L H Stabilizer Brkt Assy.	1
11	R08046	1/2-13 Jam Nut	1
12	R20235	1 7/8 Sq Wood Brg	1, 2*
13	242-82-00-203	Shaft Tube - 8 Ft. Pump	1
	244-83-00-205	Shaft Tube -10 Ft. Pump	1
	246-84-00-206	Shaft Tube - 12 Ft. Pump	1
14	242-82-00-204	Lower Shaft Tube Flange	1
15	242-11-00-057	Gusset Stop Plate	2
16	242-11-00-058	Shaft Tube Gusset	2
17	242-11-00-059	Chain Hold Down Brkt	1
18	244-13-01-322	Sleeve Set Screw Pipe	1
19	242-11-00-061	Tightener Brkt	1
20	242-11-00-062	Drive Shaft Tube End Plate	1
21	250-59-00-141	SS Set Screw Reddi Rod - Long	1
22	242-11-00-064	Tube Gusset	2
23	242-00-00-065	Lift Chain - 8 Ft. Pump	1
	244-00-00-169	Lift Chain - 10 Ft. Pump	1
	246-00-00-177	Lift Chain - 12 Ft. Pump	1
24	242-00-00-066	Chain Tightener	1
25	244-13-01-321	Brg Holder Plate	2
26	244-13-01-320	Marine Brg Holder	1
27	242-13-12-069	Roller Chain Tightener Brkt	1
28	242-13-00-070	Hyd Motor Mount	1
29	244-03-00-263	RH Gearbox Mount Plate	1
30	244-03-00-262	LH Gearbox Mount Plate	1
31	242-14-00-073	Gearbox Plate	1
32	242-14-00-074	Gearbox Lower Plate	1
33	242-14-00-075	Standpipe Saddle	1
34	244-03-00-270	Gusset	1
35	244-04-00-264	PTO Guard	1
36	244-04-00-265	PTO Guard Reinforcing Angle	1
37	242-16-00-079	Stabilizer Bracket	2
38	242-16-00-080	Spring Retaining Rod	2
39	250-05-00-126	SS Set Screw Lug	4, 7*
40	242-37-00-161	Hyd Hose - Control to Rotate - 8 Ft. Pump	2
	242-39-00-163	Hyd Hose - Control to Rotate - 10 Ft. Pump	2
	244-45-00-170	Hyd Hose - Control to Rotate - 12 Ft. Pump	2
	242-38-00-162	Hyd Hose (2 PT Hitch)	2

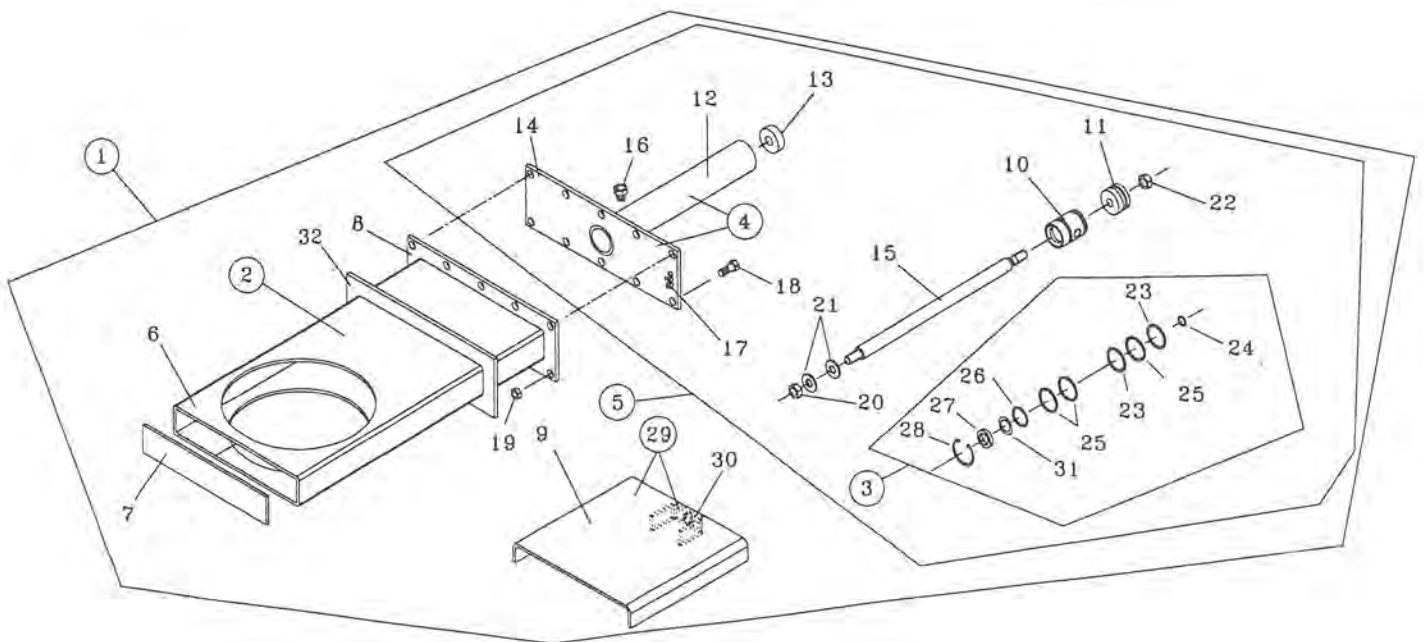
H5000 DRIVE SHAFT TUBE CONTINUED

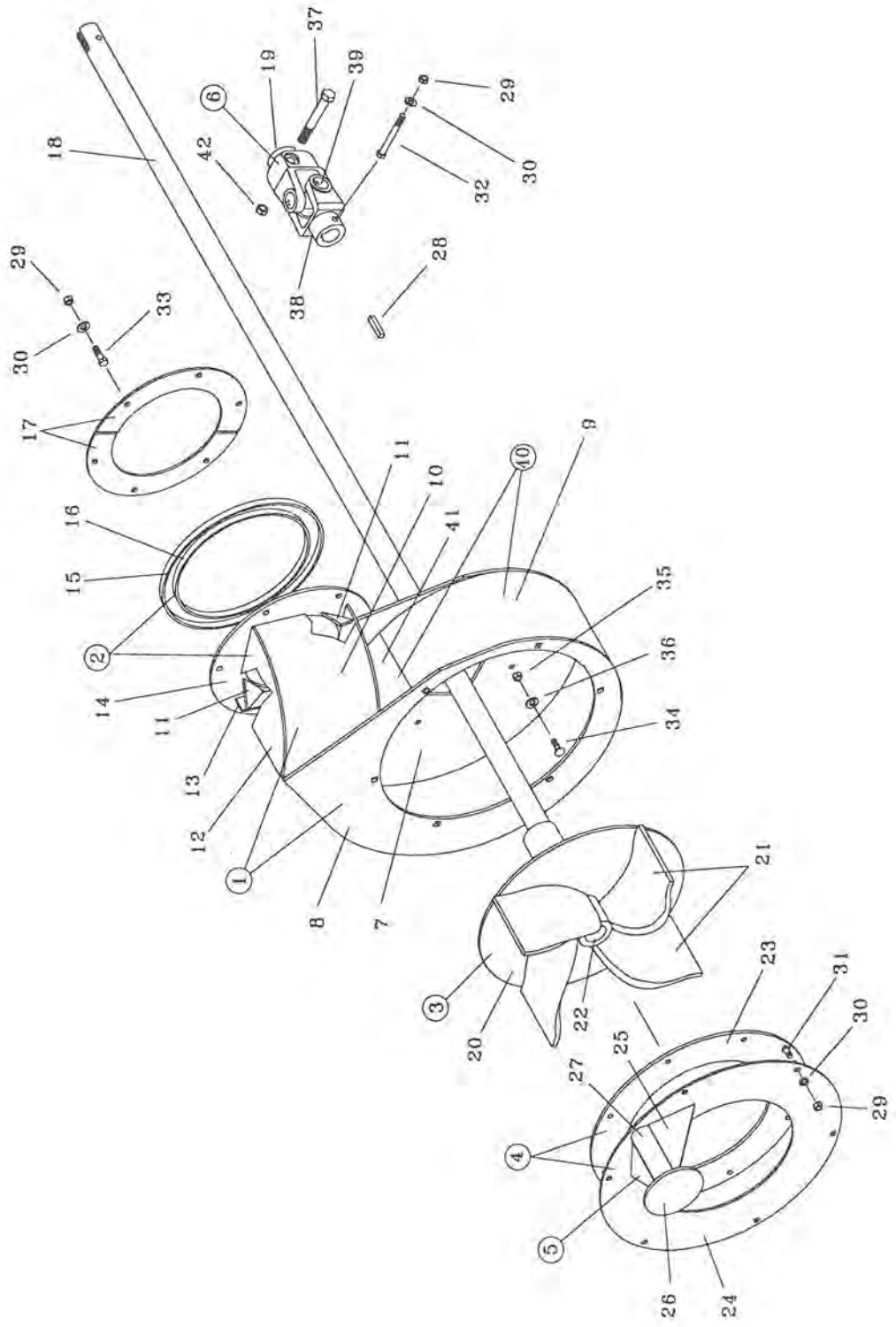
<u>Key</u>	<u>Part Number</u>	<u>Description</u>	<u>Qty</u>
41	R08025	Stablizer Brkt Spring	1
42	R07868	3/8-24 UNF x 1 1/2 Socket Hd Cap Screw	1
43	R20803	3/8-18 NPT Solid Stem	2
44	R07805	1/2" Lock Washer	12, 15*
45	R07674	1/2 x 1 1/4 -13 UNC Hex Bolt	6, 9*
46	R07797	3/8 Hex Nut -24	1
47	R07671	7/16 x 1 Hex Hd Bolt	2
48	R07824	7/16 Flat Washer	2
49	R20851	Hyd Motor 101-1008 Charlynn	1
50	R11114	1 x 1/4 Woodruff Key	1
51	R07903	1/4 x 3/8 Set Screw	1
52	R20602	#50 B12 Sprocket - 1" Bore	1
53	R07670	3/8 x 7/8 Hex Hd Bolt	4
54	R07803	3/8 Lock Washer	4
55	R07785	1/2 Hex Nut	1
56	R07638	1/2 X 1 1/2 Hex Hd Bolt	1
57	R08235	1/2" S.S. Hex Nut	1
58	R07806	5/8 Lock Washer	12
59	R21760	Praire Gearbox 1:1.17	
	R21761	Praire Gearbox 1:1.47	
	R21762	Praire Gearbox 1:1	
	R21763	Praire Gearbox 1:1.35	1
60	R07646	5/8 x 1 1/2 Hex Hd Bolt	4
61	R07786	5/8 Hex Nut	4
62	R20806	3/8-18 NPT Swivel Stem - M	2
63	R02043	1/2 x 3/8 Bushing	2
64	R21231	Ferrules	4
65	R07891	7/16 - 2 Way Lock Nut	2
66	R09071	Serial Number	1
67	R08162	Drive Screws	2
68	R07647	5/8 x 2 Hex Hd Bolt	2
69	R07826	5/8 Flat Washer	2
70	242-00-00-338	Flip Guard Spacer	2
71	R07918	1/2 x 2 Sq. Hd. Set Screw	1
72	242-00-00-336	Rubber Washer (Prairie Gearbox)	2
73	R07826	5/8" Flat Washer	2
74	R07673	5/8 x 1 1/4 Hex Bolt	6

* On 12 Ft. Pumps & Larger

1 1/2" VALVE & CYL. KIT

<u>Keys</u>	<u>Parts Number</u>	<u>Description</u>	<u>Qty</u>
1	244-14-00-000	1 1/2" Valve & Cylinder Complete (Kit) "1995"	3
2	244-14-01-000	Valve Housing Assy.	1
3	340-47-00-000	O Ring Kit For 1 1/2 Hyd Cyl	1
4	270-55-26-000	Cylinder Tube Assy	1
5	244-14-02-000	Hydraulic Cylinder & Flange Complete	1
6	244-14-01-323	Valve Tube	1
7	242-97-00-230	Valve End Cap	1
8	242-97-00-231	Valve Inner Flange	1
9	242-36-40-268	Valve Gate	1
10	340-36-00-434	Wiper Block	1
11	340-36-00-435	Cylinder Plunger	1
12	340-36-18-430	Hydraulic Cylinder Tube	1
13	340-36-18-431	End Cap	1
14	270-55-26-159	Valve Outer Flange	1
15	244-14-02-325	Cylinder Shaft	1
16	R21287	1/4 M x 3/8 Straight Swivel Adaptor	1
17	R04100	Silicone	1
18	R07619	3/8 x 1 Hex Bolt	10
19	R07794	3/8" Flange Nut	10
20	R08229	1/2" Stainless Nylon Insert Lock Nut	1
21	R08222	1/2" SAE SS Flat Washer	2
22	R07885	1/2" Lock Nut	1
23	R20867	Back Ups #8-218	2
24	R20865	O Ring #11-014	1
25	R20866	O Ring #11-218	3
26	R20771	O Ring #11-210	1
27	R20774	Rod Wiper	1
28	R07967	Retaining Ring	1
29	242-36-42-000	Valve Gate Assy	1
30	242-36-42-269	Valve Gate Brkt	1
31	R20862	Back Up #210	1
32	244-14-01-324	Valve Body Support	1



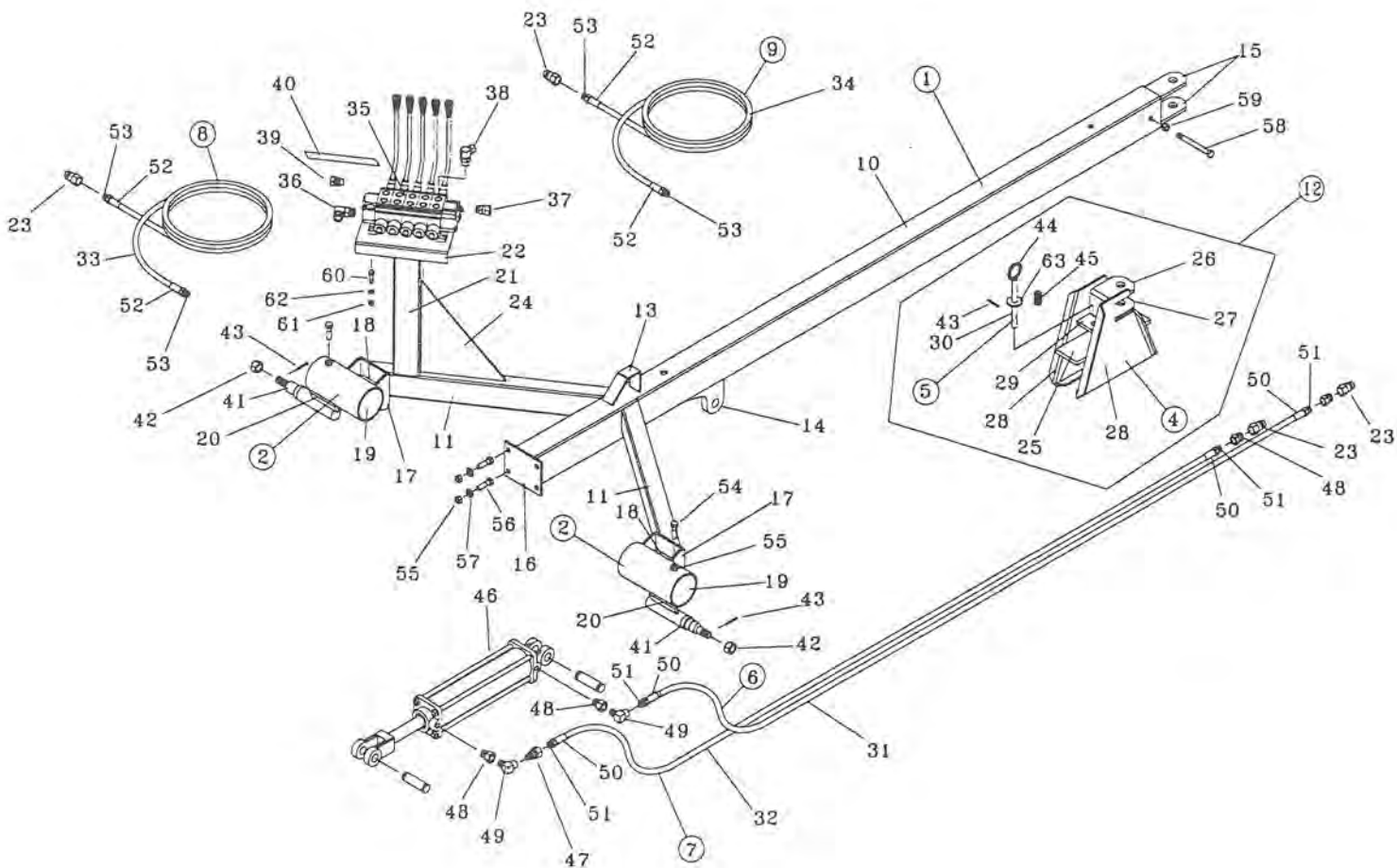


IMPELLER & HOUSING ASSEMBLY

<u>Keys</u>	<u>Parts Number</u>	<u>Description</u>	<u>Qty</u>
1	242-88-00-000	Fan Housing Assy.	1
2	242-88-20-000	Boot Assy.	1
3	244-18-00-000	Impeller Assy.	1
4	244-01-00-000	Cover Plate Assy.	1
5	250-04-03-000	Foot Assy.	1
6	242-54-00-000	Knuckle Assy.	1
7	242-88-00-210	Upper Fan Housing	1
8	242-88-00-211	Lower Fan Housing	1
9	242-88-01-339	Housing Band	1
10	242-88-20-213	Boot End Plate	1
11	242-01-00-015	Corner Pcs	4
12	242-88-20-214	Side Plate	2
13	242-01-00-014	Filler Plate	1
14	242-01-03-011	Back Plate	1
15	242-01-03-012	Outer Band	1
16	242-01-03-013	Inner Band	1
17	242-00-00-017	Half Rings	2
18	242-00-00-258	Impeller Shaft - 8 Ft.	1
	244-00-00-259	Impeller Shaft - 10 Ft.	1
	246-00-00-260	Impeller Shaft - 12 Ft.	1
19	242-54-00-237	Q.D. Yoke 1 3/4 27 T w/ Bolt & Nut.	1
20	244-18-00-330	Impeller Back Plate	1
21	244-18-00-329	Impeller Blade	4
22	244-18-00-331	Impeller Sleeve	1
23	244-01-00-255	Cover Plate Support	1
24	244-01-00-256	Cover Plate	1
25	250-04-00-173	Foot Gusset	2
26	250-04-03-012	Foot End	1
27	250-04-03-013	Foot	1
28	270-00-00-075	3/8 x 3/8 x 2 Key	1
29	R07784	7/16 Hex Nut	13
30	R07804	7/16 Lock Washer	13
31	R07731	7/16 x 1 Carriage Bolt	6
32	R07634	7/16 x 4 Hex Bolt	1
33	R07629	7/16 x 1 1/2 Hex Hd Bolt	6
34	R07721	3/8 x 1 Carriage Bolt	8
35	R07783	3/8 Hex Nut	8
36	R07803	3/8 Lock Washer	8
37	R07650	5/8 x 3 1/2 Hex Bolt	1
38	R20384	1 3/4 Round Hole Yoke	1
39	R20385	Journal & Brg Kit	1
40	242-88-01-000	Band Assembly	1
41	242-88-01-340	Band Attachment	1
42	R08180	5/8" Nyloc Hex Nut	1

TRAILER ASSEMBLY

<u>Keys</u>	<u>Parts Number</u>	<u>Description</u>	<u>Qty</u>
1	242-89-00-000	Trailer Assy.	1
2	242-18-14-000	Spindle Tube Holder R.H.	1
	242-18-28-000	Spindle Tube Holder L.H.	1
3	242-18-15-000	Control Valve Stand Assy	1
4	242-99-00-000	Hitch Assy.	1
5	242-98-00-000	Drop Pin Assy.	1
6	242-35-00-000	Hydraulic Hose Assy. - Tractor to Cyl	1
7	242-34-00-000	Hydraulic Hose Assy. - Tractor to Cyl	1
8	242-71-00-000	Hydraulic Hose Assy. - Tractor to Control	1
	290-33-00-000	Hydraulic Hose - 2 PT Hitch	*
9	242-72-00-000	Hydraulic Hose Assy - Tractor to Control	1
	290-33-00-000	Hydraulic Hose - 2 PT Hitch	*
10	242-18-00-092	Trailer Tube	1
11	242-18-00-093	Frame Tube Brace	2
12	244-06-00-000	Hitch Kit	1
13	242-18-00-095	Hitch Stop	1
14	242-18-00-096	Cylinder Gusset	1
15	242-89-00-243	Trailer Tube Tongue Plate	2
16	242-18-00-099	Tongue Brkt	1
17	242-18-14-100	Axle Brace Brkt	2

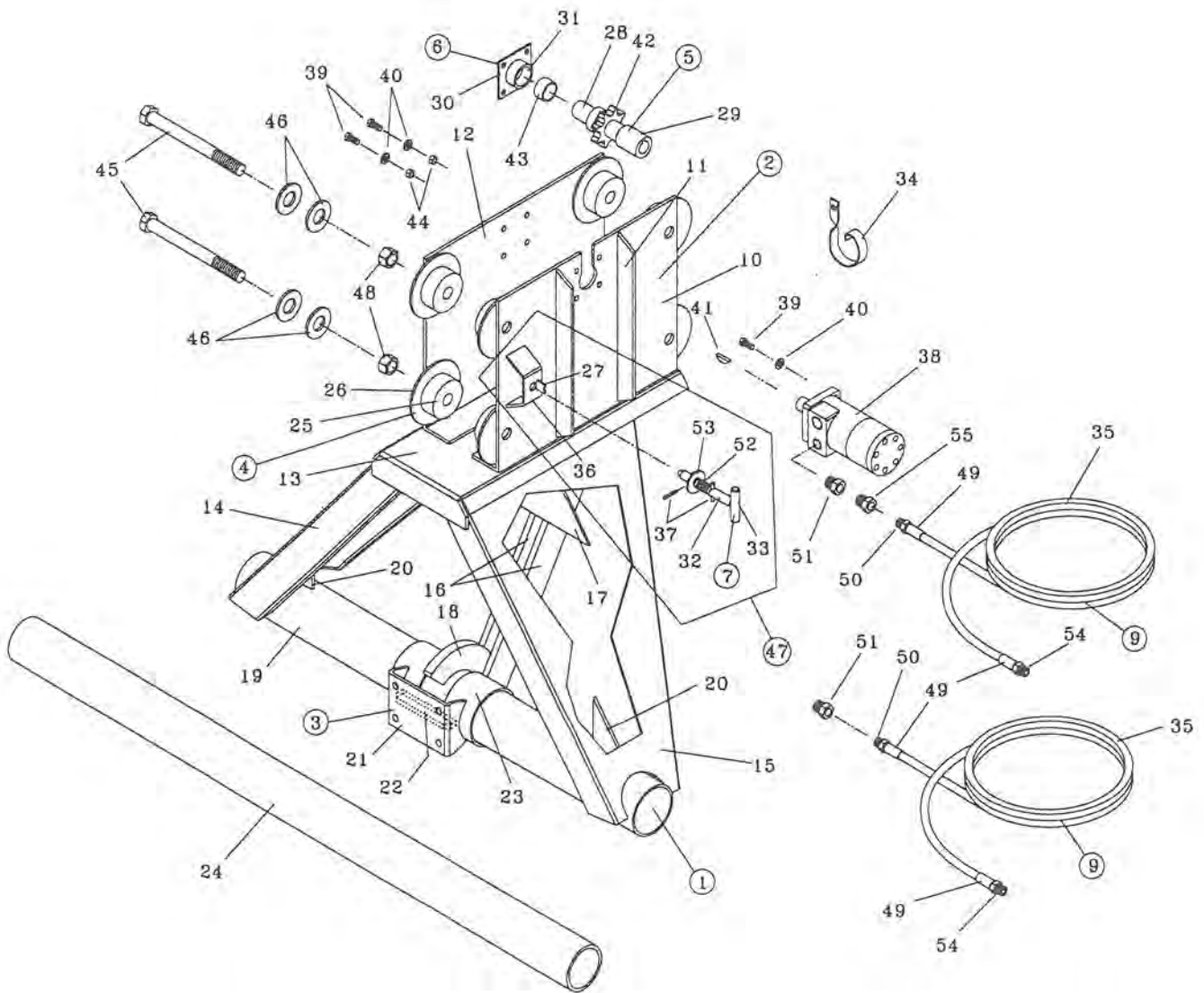


TRAILER ASSEMBLY CONTINUED

<u>Keys</u>	<u>Parts Number</u>	<u>Description</u>	<u>Qty</u>
18	242-18-14-101	Axle Brace Brkt Support	2
19	242-18-00-102	Outer Sleeve	2
20	242-89-00-215	Spindle Reinforcing Bar	2
21	242-18-15-103	Control Valve Stand Tube	1
22	242-18-15-104	Control Valve Plate	1
23	R21342	1/2" Pioneer Fitting	4
24	242-18-15-106	Stand Tube Gusset	1
25	242-99-00-238	Hitch Brkt	1
26	242-99-00-239	Upper Tongue Plate	1
27	242-99-00-240	Lower Tongue Plate	1
28	242-99-00-241	Hitch Side Plate L.H.	1
	242-99-00-245	Hitch Side Plate R.H.	1
29	242-99-00-242	Pin Brk	1
30	242-98-00-233	Drop Pin	1
31	242-35-00-159	1/4" Hydraulic Hose	1
32	242-34-00-158	1/4" Hydraulic Hose	1
33	242-71-00-188	1/2" Hydraulic Hose	1
34	242-72-00-189	1/2" Hydraulic Hose	1
35	R22127	5 Bank Valve -Prince	1
36	R21322	7/8 SAE x 1/2 F NPT 90 Deg. SW	1
37	R21279	7/8-14 ORB x 1/2 NPT Adapter	1
38	R20826	3/4-16 SAE x 3/8 NPT 45 Deg. Swivel Adaptor	10
39	R20795	Closed Centre Plug	1
	R21376	Open Centre Plug	1
40	R09506	Control Valve Sticker	1
41	R20141	Spindle (Complete w/Nut)	2
42	R20142	3/4-16 Slotted Hex Nut	2
43	R08002	5/32 x 1 1/2 Cotter Pin	3
44	R07925	1/4 x 1 1/2 Plated Ring	1
45	R08027	Spring	1
46	R20729	3 x 14" Hydraulic Cylinder	1
47	R21336	3/8 - 18 NPT Restrictor	1
48	R02043	1/2 x 3/8 Bushing	4
49	R21366	3/8 x 90 Deg. Steel Street Elbow	2
50	R20805	1/4" Ferrule	4
51	R20803	3/8-18 NPT Solid Male Stem	4
52	R21240	1/2" Ferrule	4
53	R20818	1/2-14 NPT Solid Male Stem	4
54	R07637	1/2 x 1 Hex Head Bolt	2
55	R07785	1/2 Hex Nut	6
56	R07674	1/2 x 1 1/4 Hex Head Bolt	4
57	R07805	1/2 Lock Washer	4
58	R07642	1/2 x 3 1/2 Hex Head Bolt	1
59	R07885	1/2" Lock Nut	1
60	R07675	3/8 x 1 1/4 Hex Head Bolt	3
61	R07783	3/8 Hex Nutle	3
62	R07803	3/8 Lock Washer	3
63	R07826	5/8 Flat Washer	1

H5000 "A" FRAME

<u>Keys</u>	<u>Parts Number</u>	<u>Description</u>	<u>Qty</u>
1	242-17-00-000	"A" Frame	1
2	242-17-13-000	RH Spool Holder Assy.	1
3	242-19-00-000	Tongue Axle Brkt	1
4	242-24-00-000	Spool Assy.	8
5	242-25-00-000	Sprocket Drive Assy.	1
6	242-26-00-000	Bushing Holder Assy.	1
7	242-17-18-000	Side Lock Pin Assy.	1
8	242-17-17-000	Side Lock Brkt Assy.	1
9	242-38-00-000	Hyd Hose Assy.	2
10	242-17-13-081	Spool Holder RH	1
11	242-17-13-082	Spool Holder Brace	2
12	242-17-00-083	Spool Holder LH	1

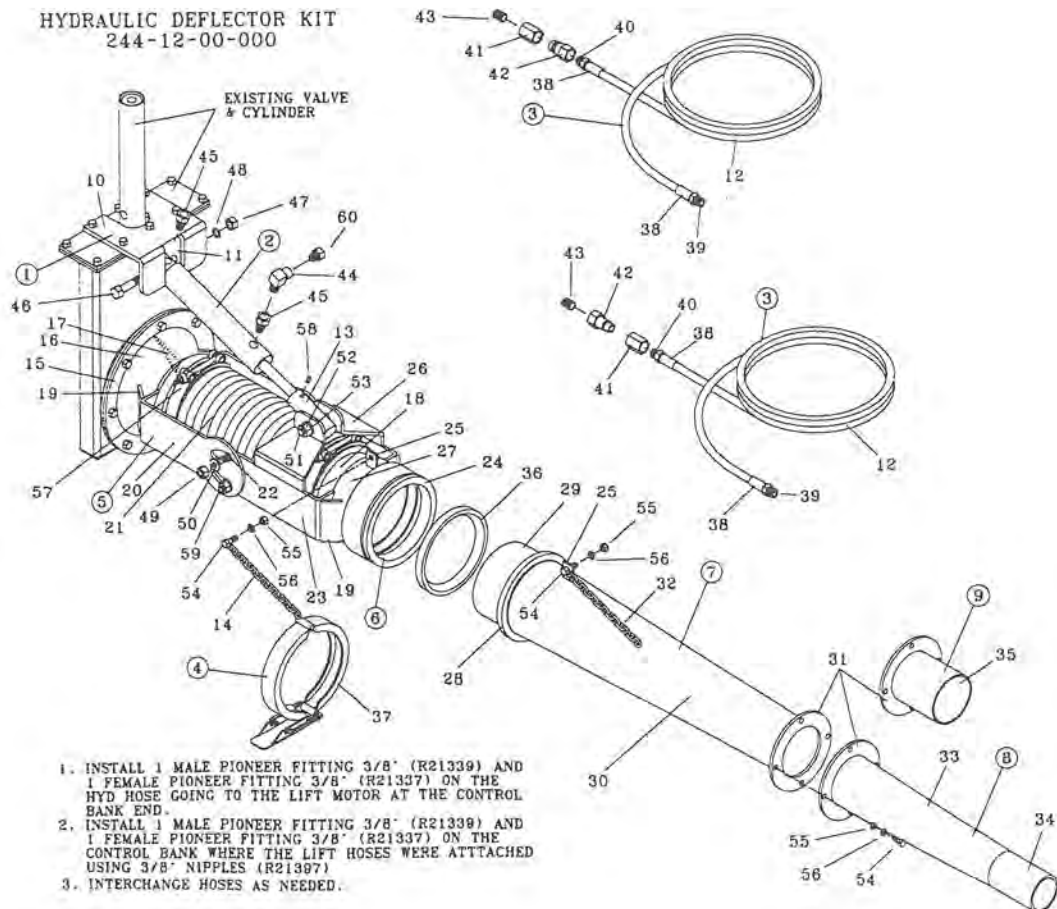


H5000 "A" FRAME

<u>Keys</u>	<u>Parts Number</u>	<u>Description</u>	<u>Qty</u>
13	242-17-00-084	Tilt Frame Base	1
14	242-17-00-085	LH Support Arm	1
15	242-17-00-086	RH Support Arm	1
16	242-17-00-087	Reinforcing Bars	2
17	242-17-00-088	Tilt Frame Gusset	1
18	242-17-00-089	Cylinder Axle Brkt	1
19	242-17-00-090	Wheel Shaft Sleeve	1
20	242-17-00-091	Support Arm Gusset	2
21	242-19-00-107	Tongue Axle Bracket	1
22	242-19-00-108	Tongue Axle Bracket Reinforcing Bar	1
23	242-19-00-109	Outer Sleeve	2
24	242-00-00-113	Inner Axle	1
25	242-24-00-128	Spool Roller	8
26	242-24-00-129	Spool End Plate	8
27	242-17-17-194	Pin Stop	1
28	242-25-00-131	Sprocket Shaft	1
29	242-25-00-132	Motor To Shaft Coupling	1
30	242-26-00-133	Bushing Holder Plate	1
31	242-26-00-134	Bushing Holder	1
32	242-17-18-195	Side Lock Pin	1
33	242-17-18-196	Pin Handle	1
34	242-00-00-157	Hose Niblick	1
35	242-38-00-162	6 mm Hyd Hose	1
36	242-17-17-193	Side Lock Brkt	1
37	R07943	3/16 x 1 1/2 Roll Pin	2
38	R20851	Hydraulic Motor Charlynn	1
39	R07670	3/8 x 7/8 Hex Hd Bolt	8
40	R07803	3/8 Lock Washer	8
41	R11114	Sprocket Drive Key (c/w Hyd Motor)	1
42	250-25-00-257	80 B-8 Sprocket - 32mm Bore	1
43	R20259	Brass Bushing 1 1/4 x 1 1/2 x 3/4	1
44	R07783	3/8 Hex Nut	4
45	R07697	7/8 x 9 Hex Bolt	4
46	R07828	1" Flat Washer	8
47	242-27-00-000	Side Lock Kit	1
48	R08047	7/8" Lock Nut	4
49	R20805	Ferrules	4
50	R20803	3/8-18 NPT Solid Stem	2
51	R02043	1/2 x 3/8 Bushing	2
52	R08027	Spring	1
53	R07826	5/8 Flat Washer	1
54	R20806	3/8-18 NPT Swivel Adaptor	2
55	R21336	Restrictor - 3/8 - 18 NPT	1

HYDRAULIC DEFLECTOR KIT

Keys	Parts Number	Description	Qty
1	242-58-50-000	Cylinder Mount Assy.	1
2	275-15-00-000	1 1/2" Hyd. Cylinder Complete	1
3	244-45-00-000	Hydraulic Hose Assy. - 8 Ft. Model	2
	242-35-00-000	Hydraulic Hose Assy. - 10 Ft. Model	*
	242-34-00-000	Hydraulic Hose Assy. - 12 Ft. Model	*
4	250-97-00-000	Clamp & Chain Assy.	1
5	244-12-01-000	Cone Assy. 8" to 6" w/ Pivot Brkt	1
6	244-12-02-000	Cylinder Brkt. Assy.	1
7	244-12-03-000	Cone Assembly	1
8	244-12-04-000	Small Cone Assembly	1
9	244-12-05-000	Stub Tube Assembly	1
10	242-58-50-294	Cylinder Mount	1
11	242-58-50-295	Cylinder Mount Brkt	2
12	242-39-00-163	Hyd Hose - 8 Ft. Model	2
	244-45-00-170	Hyd Hose - 10 Ft. Model	*
	242-35-00-159	Hyd Hose - 12 Ft. Model	*

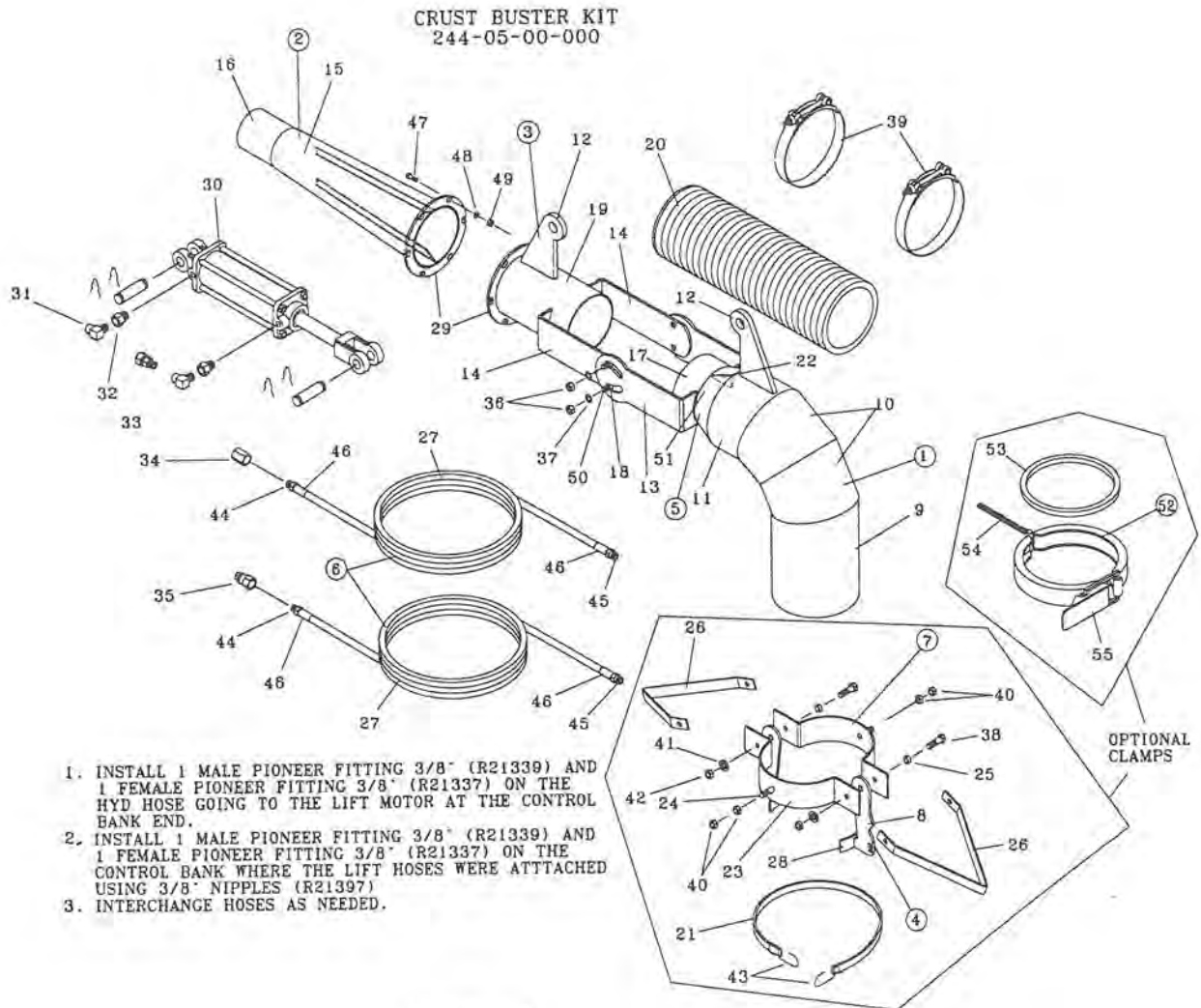


HYDRAULIC DEFLECTOR KIT CONTINUED

<u>Keys</u>	<u>Parts Number</u>	<u>Description</u>	<u>Qty</u>
13	242-58-00-293	Cylinder Shaft Lug	1
14	250-97-00-297	Clamp Chain	1
15	242-58-48-285	Flange	1
16	270-63-34-188	8" to 6" Cone (Half)	2
17	270-63-34-192	Cone Rib	4
18	244-12-01-309	Extension Tube	2
19	244-12-02-312	Gusset	4
20	244-05-43-276	Main Pivot Bracket	2
21	270-63-00-187	Flex Hose	1
22	244-05-00-281	Spacer Pipe	4
23	244-05-46-277	Inner Pivot Brkt	2
24	250-96-01-296	Coupling Base Tube	1
25	250-96-00-298	Chain Lug	2
26	244-12-02-310	Cylinder Brkt	2
27	244-12-02-311	Filler Pipe	1
28	250-95-00-295	Clamp Ring	1
29	244-12-03-313	Cone Male End	1
30	244-12-03-314	Cone (Half)	2
31	244-12-03-315	Cone Flange	3
32	244-12-03-316	Retaining Chain	1
33	244-12-04-317	Small Cone	1
34	244-12-04-318	Small Cone Ext Pipe	1
35	244-12-05-319	Stub Tube	1
36	R02366	6" Rubber Gasket	1
37	R02487	6" Ring Lock Clamp	1
38	R21231	Ferrules	4
39	R20806	3/8 - 18 NPT Swivel Stem - M	2
40	R20803	3/8 - 18 NPT Solid Stem - M	2
41	R21337	Female Pioneer Fitting	3
42	R21339	Male Pioneer Fitting	3
43	R21397	3/8" Nipple	3
44	R21366	3/8" Street Elbow	1
45	R21287	1/4 M x 3/8 F Steel Swivel Adapter	1
46	R07641	1/2 x 3 Hex Bolt	1
47	R07785	1/2" Hex Nut	1
48	R07805	1/2" Lock Washer	4
49	R07891	7/16 - 2 Way Lock Nut	4
50	R07824	7/16 Flat Washer	4
51	R07649	5/8 x 3 Hex Bolt	1
52	R07786	5/8 Hex Nut	1
53	R07806	5/8 Lock Washer	1
54	R07675	3/8 x 1 1/4 Hex Bolt	6
55	R07783	3/8 Hex Nut	6
56	R07803	3/8 Lock Washer	6
57	R02482	6" Clamp	2
58	R07926	5/16 - 18 x 1/4 S.S. Set Screw	1
59	R07731	7/16 x 1 1/4 Carriage Bolt	4
60	R21336	Restrictor 3/8-18 NPT	1

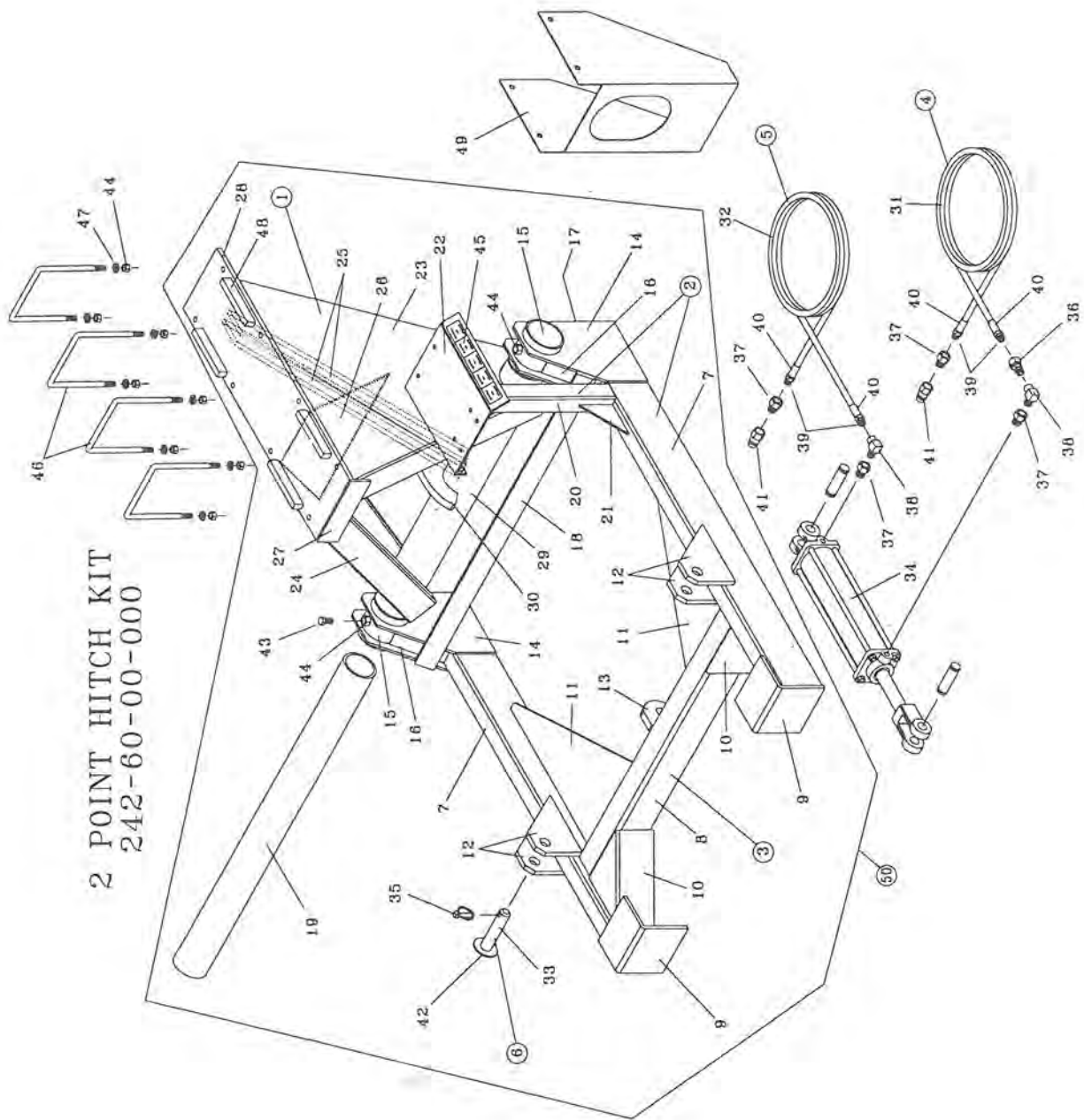
CRUST BUSTER (244-05-00-000)

<u>Keys</u>	<u>Parts Number</u>	<u>Description</u>	<u>Qty</u>
1	244-05-43-000	Elbow Assy	1
2	244-05-44-000	Cone Assy 6" to 4"	1
3	244-05-46-000	Cone Extension Assy.	1
4	244-05-45-000	HD Discharge Pipe Hook Assy.	2
5	244-05-47-000	Cone Assy 8" to 6"	1
6	244-45-00-000	Hydraulic Hose Assembly	2
7	242-31-00-000	Discharge Pipe Sleeve Assy.	2
8	244-05-45-272	HD Discharge Pipe Hook	2
9	244-05-43-273	Elbow Base PC	1
10	244-05-43-274	Elbow Middle PC	2
11	244-05-43-275	Elbow Top PC	1
12	270-63-29-191	Cylinder Brkt	2



CRUST BUSTER CONTINUED

<u>Keys</u>	<u>Parts Number</u>	<u>Description</u>	<u>Qty</u>
13	244-05-43-276	Main Pivot Brkt	2
14	244-05-46-277	Inner Pivot Brkt	2
15	244-05-44-278	Cone (Half)	2
16	244-05-44-279	Cone Extension Pipe	1
17	270-63-34-189	Extension Pipe	1
18	244-05-00-281	Spacer Pipe	4
19	244-05-46-284	Extension Pipe	1
20	270-63-00-187	Flex Hose	1
21	244-05-00-282	Rubber Strap	1
22	270-63-34-192	Cone Rib	4
23	242-31-00-149	Discharge Pipe Sleeve	2
24	242-31-00-150	Reddi Rod	2
25	242-00-00-152	Hook Spacer	2
26	242-00-00-151	Bracket Lock	2
27	244-45-00-170	Hyd Hose	2
28	242-32-00-154	Hook Plate	2
29	364-19-00-087	Flange	2
30	R20725	2 x 8 Hydraulic Cylinder	1
31	R21366	3/8" Steel Street Elbow	2
32	R02043	1/2 x 3/8 Bushing	2
33	R21336	3/8-18 NPT Restrictor	1
34	R21337	3/8" Female Pioneer Fitting	3
35	R21339	3/8" Male Pioneer Fitting	3
36	R07891	7/16 - 2 Way Lock Nut	4
37	R07824	7/16 Flat Washer	4
38	R07611	5/16 x 1 Hex Bolt	2
39	R02482	6" Clamp	2
40	R07782	5/16 Hex Nut	4
41	R07802	5/16 Lock Washer	2
42	R07782	5/16 Hex Nut	2
43	R11114	Rubber Strap Hook	2
44	R20803	3/8-18 NPT Solid Stem - M	2
45	R20806	3/8 - 18 NPT Swivel Stem - M	2
46	R21231	Ferrule	4
47	R07619	3/8 x 1 Hex Bolt	6
48	R07803	3/8 Lock Washer	6
49	R07783	3/8 Hex Nut	6
50	R07733	7/16 x 1 1/2 Carriage Bolt	4
51	270-63-34-188	Cone	1
52	244-09-00-000	Clamp & Chain Assy.	*
53	244-08-00-307	Clamp Ring	*
54	250-97-00-297	Clamp Chain	*
55	R02488	8" Ring Lock Clamp	*

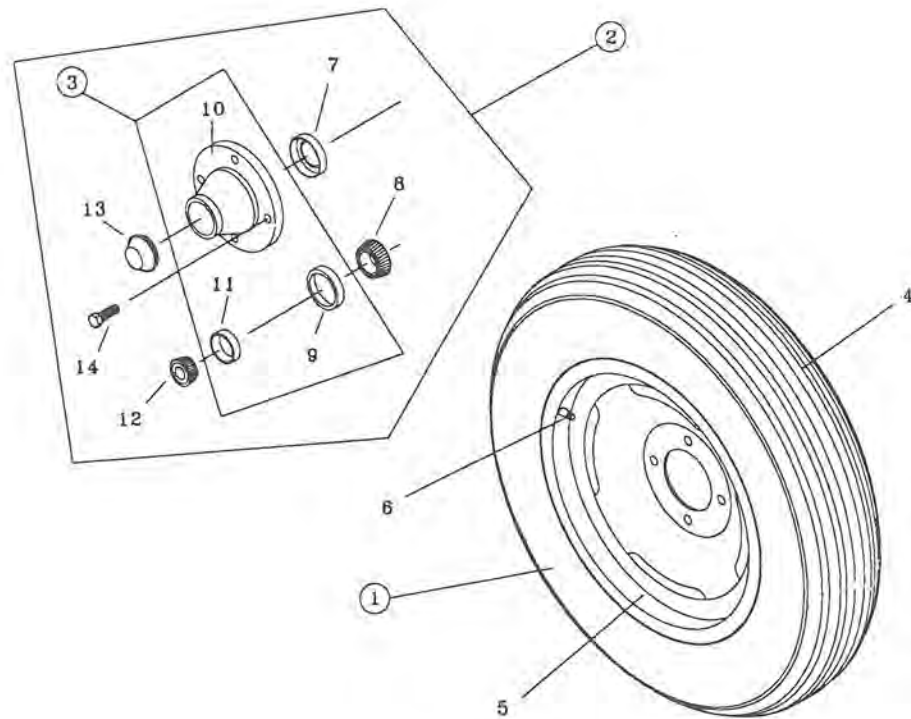


H5000 - 2 POINT HITCH

<u>Keys</u>	<u>Parts Number</u>	<u>Description</u>	<u>Qty</u>
1	242-60-35-000	Tilt Frame Assembly	1
2	242-60-41-000	Main Frame Assy. w/ Control Stand	1
3	250-87-44-000	Main Frame Less Control Stand	1
4	250-87-51-000	Hyd Hose Assembly	1
5	250-87-52-000	Hyd Hose Assy.	1
6	250-87-56-000	Hitch Pin Assy.	2
7	250-87-44-215	Left Arm	2
8	250-87-44-216	Cross Brace	1
9	250-87-44-217	End Cap	2
10	250-87-44-218	Angle Gusset	2
11	250-87-44-219	Cross Brace Gusset	2
12	250-87-44-220	Lift Brackets	4
13	250-87-44-221	Cylinder Lug	1
14	250-87-44-222	Tilt Frame Bracket	4
15	250-87-44-223	Tilt Frame Bracket	2
16	250-87-44-224	Front Filler Plate	2
17	250-87-44-225	Rear Filler Plate	2
18	250-87-44-226	Cross Strap	1
19	250-87-00-227	Inner Axle Tube	1
20	242-60-41-266	Control Valve Stand Tube	1
21	242-60-41-267	Gusset	1
22	242-18-15-104	Control Valve Plate	1
23	242-60-35-247	LH. Support Arm	1
24	242-60-35-248	RH. Support Arm	1
25	242-60-35-249	Reinforcing Bars	2
26	242-60-35-250	Tilt Frame Gusset	1
27	242-60-35-251	Gusset	1
28	242-60-35-252	Top Support Plate	1
29	250-87-45-230	Support Arm Sleeve	1
30	250-87-45-231	Cylinder Axle Brkt	1
31	250-87-51-258	Hydraulic Hose	1
32	250-87-52-259	Hydraulic Hose	1
33	250-87-56-264	Pin	2
34	R20724	4 x 14" Hydraulic Cylinder	1
35	R08040	2-18 Lynch Pin	2
36	R21336	3/8-18 NPT Restrictor	1
37	R02043	1/2 x 3/8 Bushing	4
38	R21366	3/8 x 90 Degree Hyd Street Elbow	1
39	R20803	3/8-18 NPT Solid Male Stem	4
40	R20805	Ferrule	4
41	R21342	1/2 Pioneer Coupler	2
42	R07828	1" Flat Washer	2
43	R07637	1/2 x 1-13 UNC Hex Hd Bolt	2
44	R07785	1/2-13 UNC Hex Nut	10
45	R09506	Control Valve Sticker	-1
46	R08173	'U' Bolt 1/2-13 UNC	4
47	R07805	1/2" Lock Washer	8
48	242-60-35-302	Stabilizer Bar	4
49	242-60-00-271	PTO Guard	1
50	242-60-55-000	2 PT Hitch Less Hyd & U Bolts	1

TIRE AND WHEEL ASSEMBLY

<u>Keys</u>	<u>Parts Number</u>	<u>Description</u>	<u>Qty</u>
1	250-65-00-000	Tire & Wheel Assy - 5.90 x 15	2
2	250-60-30-000	H-411 Hub Complete	2
3	R20139	H-411 Hub w/ Cups	2
4	R20016	5.90 x 15 Rib Implement Tire	2
5	R20057	4.5 x 15 Wheel - 4 Bolt	2
6	R20020	Valve Stem	2
7	R20144	Oil Seal	2
8	R20159	Inner Cone	2
9	R20129	Inner Cup	2
10	R20160	H-411 Hub	2
11	R20130	Outer Cup	2
12	R20158	Outer Cone	2
13	R20143	Dust Cap	2
14	R20145	Wheel Bolts 1/2-20 x 1 1/4	8



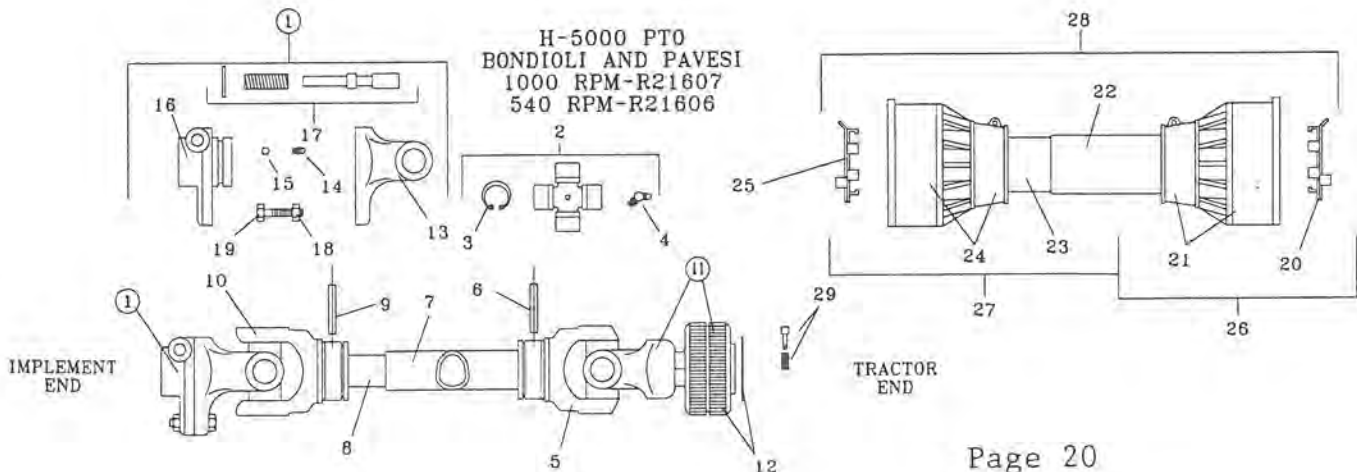
H5000 BONDIOLI & PAVESI PTO

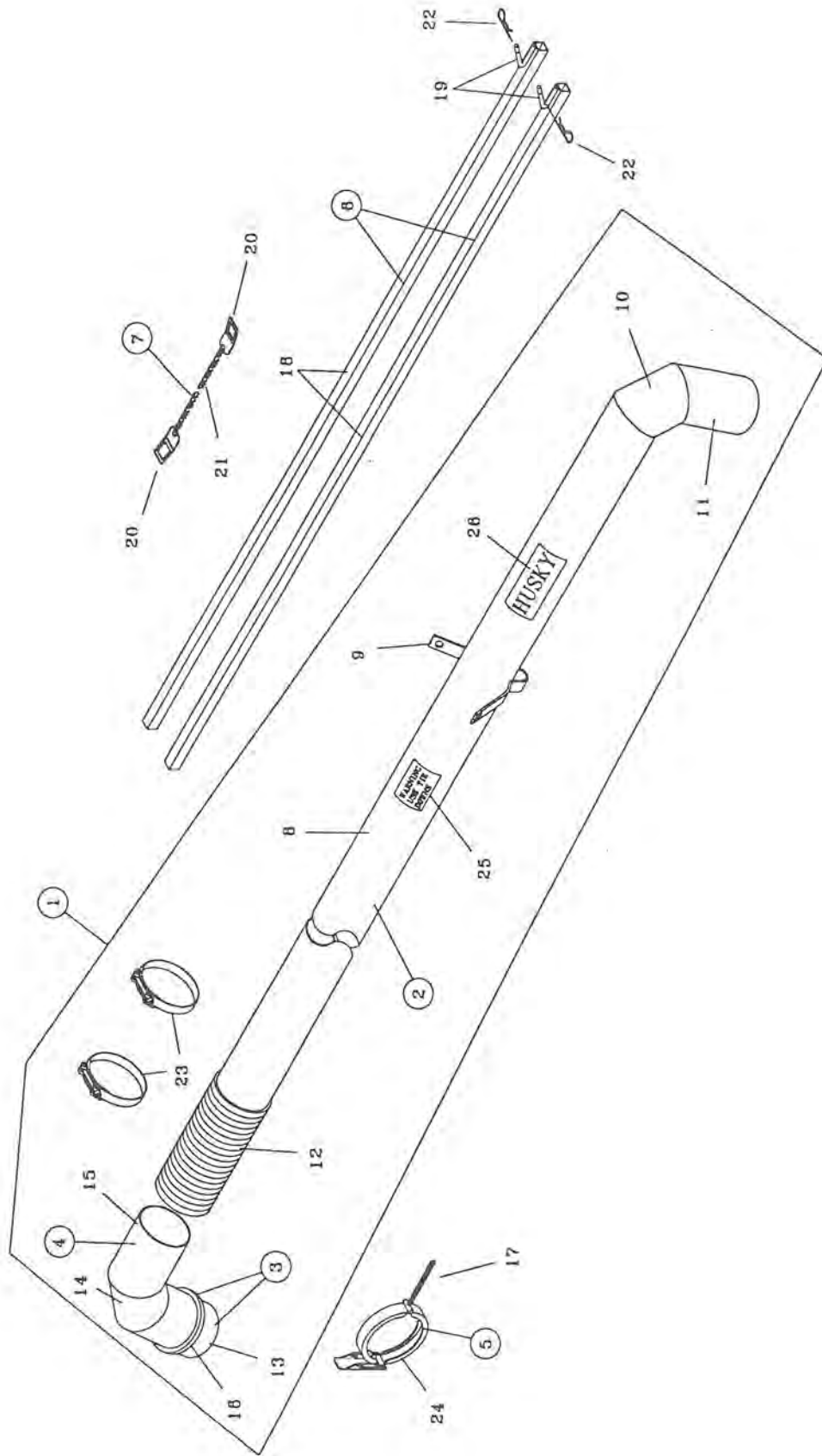
R21607 - 1000 RPM

R21606 - 540 RPM

<u>Key</u>	<u>Mfg#</u>	<u>Part #</u>	<u>Description</u>	<u>Qty</u>
1	60680881	R21639	1 3/4-27 Tooth Torque Lim.	1
2	41208	R21614	Cross Journal Assy.	2
3	338023001	R21621	Circlip	8
4	348004000	R21655	Grease Nipple	2
5	204086860	R21620	Outer Tube Yoke	1
6	341054000	R21613	Flexible Pin	1
7	225730823	R21616	CM Cardan Tube - Outer	1
8	225690823	R21615	CM Cardan Tube - Inner	1
9	341055000	R21612	Flexible Pin	1
10	204-086861	R21619	Inner Tube Yoke	1
11	572083751	R21640	1 3/8-21 Tooth QD Yoke w/Sleeve	*
	572080351	R21641	1 3/8-6 Tooth QD Yoke w/Sleeve	*
	572083851	R21644	1 3/4-20 Tooth QD Yoke w/Sleeve	*
12	240003551	R21713	R.S. Collar Kit	1
13	213080020	R21624	Yoke	1
14	348012000	R21672	5/16 Grease Zerk	1
15	362006000	R21539	5/16 Ball	24
16	513083901	R21643	Hub c/w QD 1 3/4-27T	1
17	401000034	R21715	Push Pin 1 3/4-27 Tooth	1 or 2
18	M12-1.75x65	R21602	M12 x 65 Hex Bolt	1
19	M12-1.75	R21604	M12 Ny-Lock Nut	1
20	255080005	R21609	O. Bearing 8-9-10	1
21	517080071	R21610	O. Cone Sets N8-9	1
22	236850752	R21618	CM Outer Safety Tube	1
23	236840752	R21617	CM Inner Safety Tube	1
24	517080061	R21611	I. Cone Sets N8-9	1
25	255080006	R21608	I. Bearing 8-9-10	1
26	5NE8101NN	R21627	Half Safety Guard - Outer	1
27	5NI8101NN	R21628	Half Safety Guard - Inner	1
28	5N08101NN	R21629	Safety Guard Complete	1
29	403000001	R21669	Push Pin Complete - 1 3/8 6 Tooth	*
	403000013	R21669	Push Pin Complete - 1 3/8 21 Tooth	*
	403000011	R21735	Push Pin Complete - 1 3/4 20 Tooth	*

* Some have 2 Pins.





DISCHARGE PIPE ASSEMBLY

<u>Keys</u>	<u>Parts Number</u>	<u>Description</u>	<u>Qty</u>
1	244-10-00-000	15 Ft. Discharge Pipe Kit '1994'	*
	244-11-00-000	20 Ft. Discharge Pipe Kit '1994'	1
	290-54-00-000	25 Ft. Discharge Pipe Kit '1994'	*
2	242-30-00-000	Discharge Pipe Assy. - 15 Ft.	*
	270-42-00-000	Discharge Pipe Assy. - 20 Ft.	1
	270-53-24-000	Discharge Pipe Assy. - 25 Ft.	*
3	244-08-00-000	Pump Elbow w/ Ring Assy.	1
4	242-28-00-000	Pump Elbow Assy.	1
5	244-09-00-000	Clamp & Chain Assy.	1
6	242-33-00-000	Bipod Leg Assy.	2
7	242-79-00-000	Bipod Leg Chain Assy.	1
8	242-30-00-145	15 Ft. Discharge Pipe	*
	270-42-00-130	20 Ft. Discharge Pipe	1
	270-53-24-155	25 Ft. Discharge Pipe	*
9	242-30-00-148	Discharge Pipe Hook	1
10	242-30-00-146	Discharge Elbow Centre Pc	1
11	242-30-00-147	Discharge Elbow End Pc	1
12	242-00-00-141	Flex Hose Section	1
13	242-28-00-138	Pump Elbow Base Section	1
14	242-28-00-139	Pump Elbow Middle Section	1
15	242-28-00-140	Pump Elbow Upper Section	1
16	244-08-00-307	Clamp Ring	1
17	250-97-00-297	Clamp Chain	1
18	242-33-00-155	Bipod Legs	2
19	242-33-00-156	Bipod Leg Hook	2
20	242-79-00-198	Bipod Leg Clip	1
21	242-79-00-199	Bipod Leg Chain	2
22	R07948	5/32 Hairpin	2
23	R02484	8" Hose Clamp	2
24	R02488	8" Ring Lock Clamp	1
25	R09690	"Tie Down" Decal	1
26	R09502	"Husky" Decal	1

