

Date Purchased _____ Machine Serial No. _____

Size of Pump _____ Options _____

The key number system in this parts book is arranged as follows:

- ⊙ - Key numbers with two circles denotes main assemblies.
- - Key numbers with one circle are individual parts

Please order parts by number



H-5000

H-5000 VERTICAL PIT PUMP – 8ft ▪ 242-00-00-000

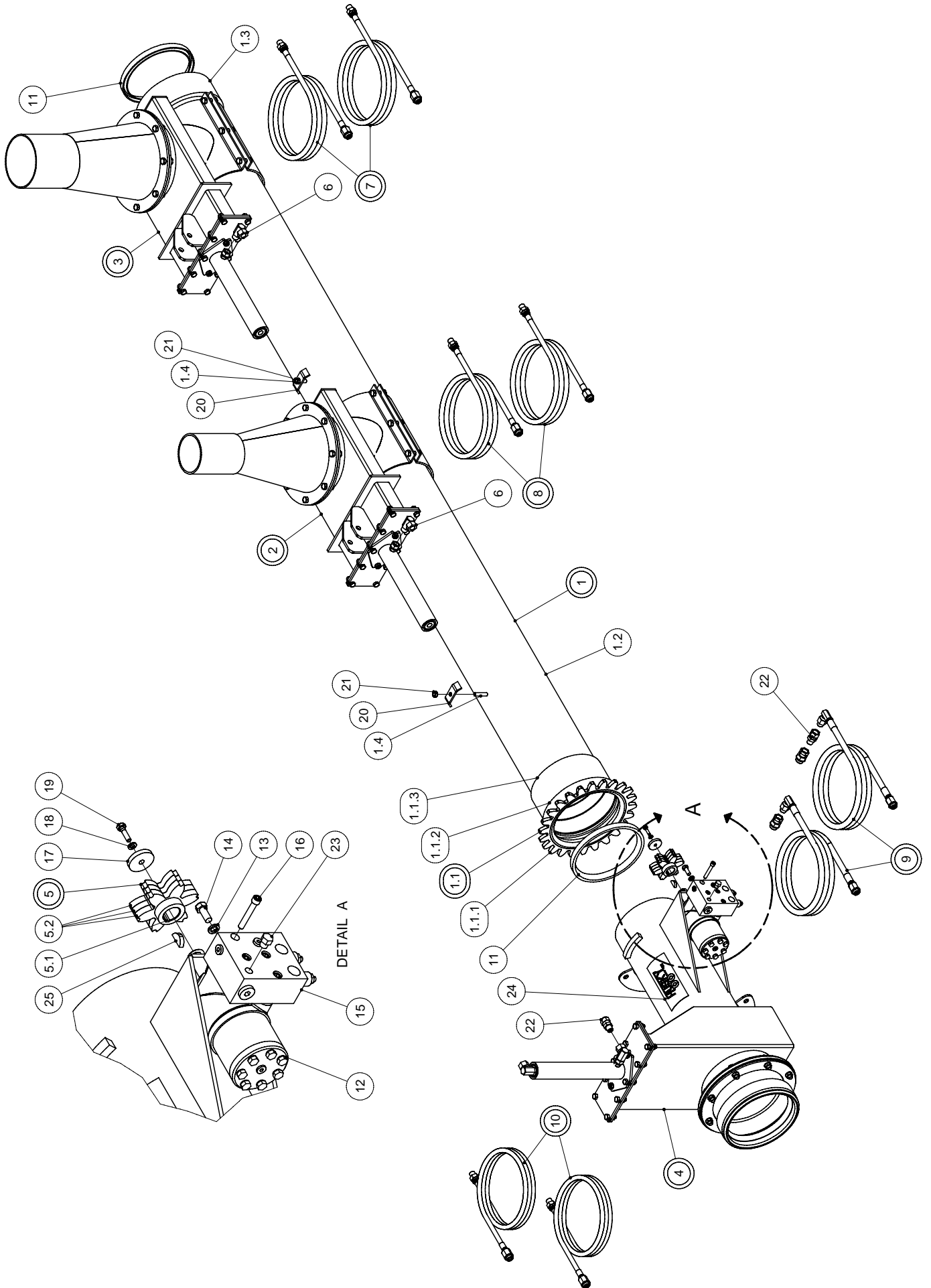
H-5000 VERTICAL PIT PUMP – 10ft ▪ 244-00-00-000

H-5000 VERTICAL PIT PUMP – 12ft ▪ 246-00-00-000

OPERATING INSTRUCTIONS:

1. Do not leave pump in manure pit – remove pump from pit – wash off and coat with old oil or diesel fuel.
2. Do not over rev. tractor while pumping as discharge spout will lift into air. Always tie down spout.
3. The (Polyurethane) marine bearing at the bottom of the pump is lubricated with manure or water. If the level of the liquid is below the bearing and you are running for long periods put a water hose in the top of the standpipe.
4. Always fill all hydraulic motors and cylinders with oil before installing in pit.
5. If your pump is equipped with the optional bearing box, then it must be greased every day (min 10 shots) Every 6 months the knuckle assy must be greased.
6. **EXTREME DANGER** – Never enter a dirty manure spreader or storage tank – one breath of hydrogen sulphide gas is enough to kill. Have a ladder in your pit, so that if by accident you should fall in, you can get out.
7. For open centre hydraulic tractors, use short plug on right hand end of hydraulic valve. For closed centre hydraulics use long plug with O ring. (Oil must flow in left hand end of valve).

H-5000 STANDPIPE

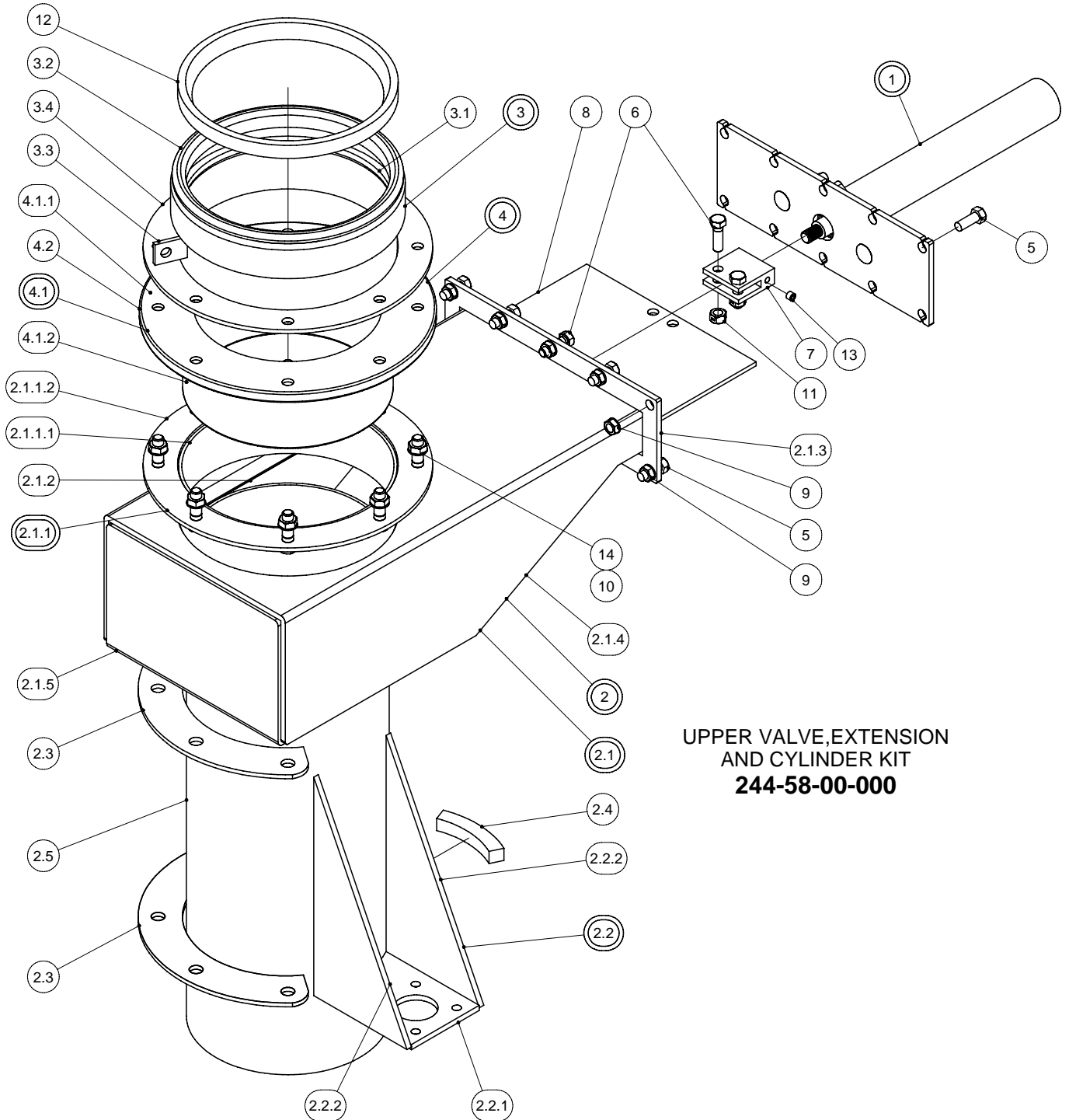


H-5000 STANDPIPE

PARTS LIST			
ITEM	PART NUMBER	DESCRIPTION	QTY
1	246-41-00-000	STANDPIPE ASSY - 12FT MODEL	1
1	244-40-00-000	STANDPIPE ASSY - 10FT MODEL	1
1	242-43-00-000	STANDPIPE ASSY-8FT MODEL	1
1.1	244-30-01-000	LOWER EXTENSION PIPE ASSY	1
1.1.1	244-30-01-347	LARGE TURN SPROCKET	1
1.1.2	242-09-09-049	COUPLING BASE	1
1.1.3	242-09-09-048	EXTENSION PIPE	1
1.2	242-43-00-369	STANDPIPE-8FT MODEL	1
1.2	244-40-00-371	STANDPIPE-10FT MODEL	1
1.2	246-41-00-372	STANDPIPE-12FT MODEL	1
1.3	242-43-00-370	LOWER GASKET SLEEVE	1
1.4	R08302	3/8-16 UNC x 1 5/8" WELD STUD	2
2	244-15-00-000	UPPER VALVE AND CONE COMPLETE	1
3	244-16-00-000	LOWER VALVE AND CONE COMPLETE	1
4	244-58-00-000	UPPER VALVE,EXT AND CYLINDER KIT	1
5	290-25-00-000	6 TOOTH SPROCKET ASSY	1
5.1	290-25-00-097	SPROCKET SLEEVE	1
5.2	290-25-00-096	6 TOOTH SPROCKET	3
6	R21366	3/8" x 90° NPT STREET ELBOW	4
7	244-77-00-000	HYD HOSE ASSY-CONTROL TO BOTTOM TEE-8FT MODEL	2
7	244-78-00-000	HYD HOSE ASSY-CONTROL TO BOTTOM TEE-10FT MODEL	2
7	244-79-00-000	HYD HOSE ASSY-CONTROL TO BOTTOM TEE-12FT MODEL	2
8	244-76-00-000	HYD HOSE ASSY-CONTROL TO TOP TEE	2
9	244-70-00-000	HYD HOSE ASSY-CONTROL TO ROTATE-8FT MODEL	2
9	244-71-00-000	HYD HOSE ASSY-CONTROL TO ROTATE-10FT MODEL	2
9	244-72-00-000	HYD HOSE ASSY-CONTROL TO ROTATE-12FT MODEL	2
9	242-60-01-000	HYD HOSE ASSY-CONTROL TO ROTATE-ALL 2PT HITCH PUMPS	2
10	244-68-00-000	HYD HOSE ASSY-CONTROL TO DISCHARGE-8FT MODEL	2
10	244-75-00-000	HYD HOSE ASSY-CONTROL TO DISCHARGE-10FT MODEL	2
10	244-78-00-000	HYD HOSE ASSY-CONTROL TO DISCHARGE-12FT MODEL	2
10	242-60-02-000	HYD HOSE ASSY-CONTROL TO DISCHARGE-ALL 2PT HITCH PUMPS	2
11	R02360	8" SQ RAINWAY/HUSKY GASKET	2
12	R22255	M&S HYDRAULIC MOTOR	1
13	R07803	3/8 LOCK WASHER	4
14	R07670	3/8 x 7/8 HEX BOLT	4
15	R22256	OVER CENTER VALVE - M&S MOTOR	1
16	R08334	5/16-18 x 2 SOCKET HD CAP SCREW	4
17	290-00-00-098	SLEEVE CAP	1
18	R07801	1/4 LOCK WASHER	1
19	R07601	1/4 x 1 HEX BOLT	1
20	290-00-00-167	HYDRAULIC HOSE CLIP	2
21	R07794	3/8 FLANGE NUT	2
22	R21336	3/8 - 18 RESTRICTOR	2
23	R22258	7/16-20 SAE PLUG	1
24	R09671	"HUSKY" DECAL	1
25	R08161	1/4" x 1" WOODRUFF KEY (REPLACEMENT KEY)	1

R22668 - REPLACMENT "O" RING FOR OVER CENTER VALVE - 2 REQUIRED

UPPER VALVE, EXTENSION AND CYLINDER KIT

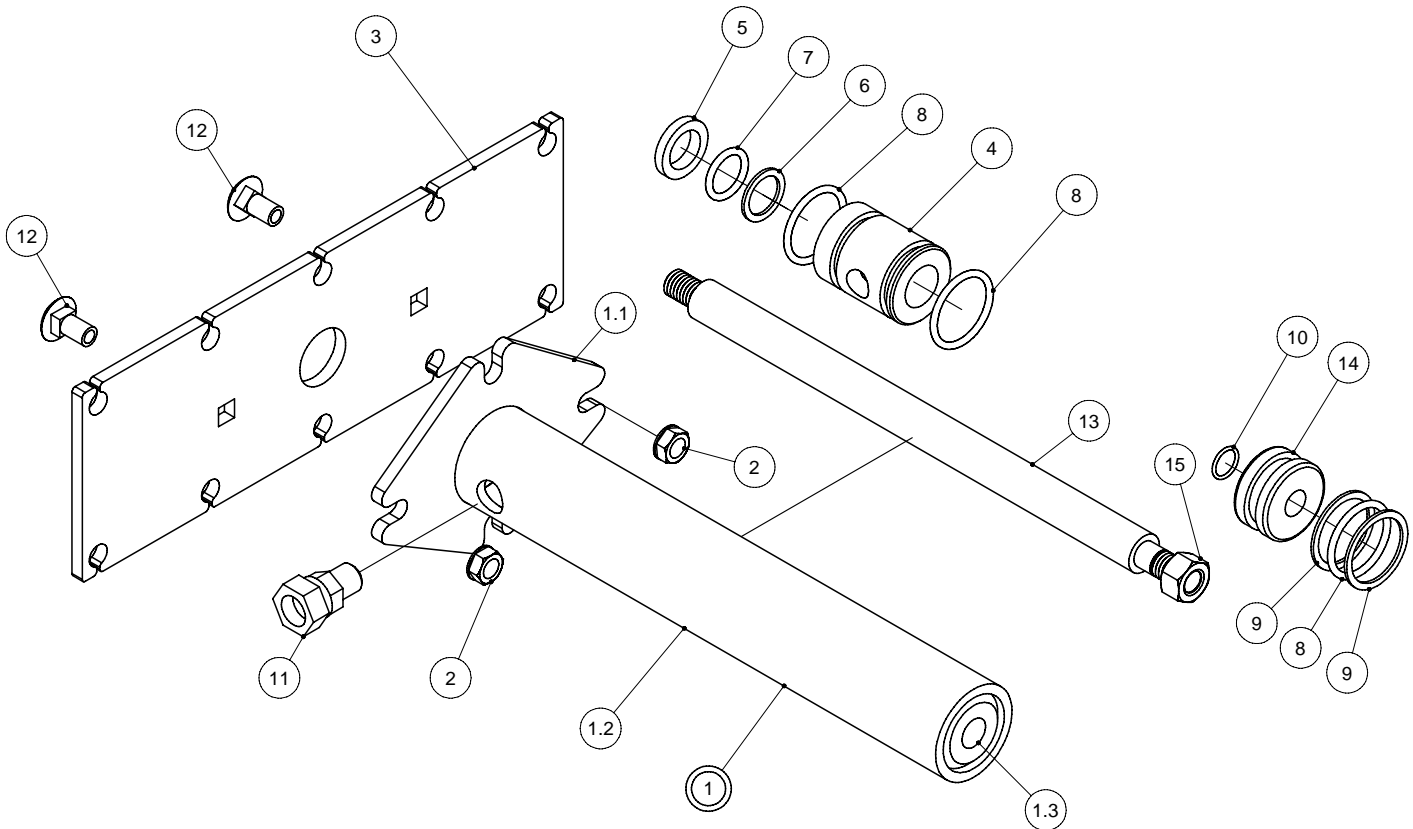


UPPER VALVE, EXTENSION
AND CYLINDER KIT
244-58-00-000

UPPER VALVE, EXTENSION AND CYLINDER KIT

PARTS LIST			
ITEM	PART NUMBER	DESCRIPTION	QTY
1	244-58-01-000	HYDRAULIC CYLINDER KIT	1
2	244-58-02-000	UPPER VALVE AND STANDPIPE ASSY	1
2.1	244-58-08-000	UPPER VALVE BODY ASSY	1
2.1.1	244-58-03-000	OUTER EXTENSION PIPE ASSY	1
2.1.1.1	244-58-03-389	OUTER EXTENSION PIPE	1
2.1.1.2	244-58-03-388	OUTER EXTENSION FLANGE	1
2.1.2	244-38-02-382	GUIDE BAR	2
2.1.3	244-38-02-368	FLANGE	1
2.1.4	244-38-02-366	VALVE TOP PLATE	1
2.1.5	244-38-02-367	VALVE LOWER PLATE	1
2.2	244-29-01-000	HYDRAULIC MOTOR MOUNT ASSY	1
2.2.1	244-29-01-362	HYDRAULIC MOTOR MOUNT	1
2.2.2	244-29-01-363	MOTOR MOUNT SIDES	2
2.3	242-10-10-053	STANDPIPE HOLD DOWN BRKT	4
2.4	244-38-00-387	STOP RING	1
2.5	244-58-07-396	FIXED STANDPIPE	1
3	244-58-06-000	FLANGED EXTENSION PIPE ASSY	1
3.1	244-58-06-395	EXTENSION PIPE	1
3.2	244-07-01-306	COUPLING BASE	1
3.3	250-96-00-298	CHAIN LUG	1
3.4	244-58-03-388	OUTER EXTENSION FLANGE	1
4	244-58-05-000	INNER SEALING TUBE w/ URETHANE ASSY	1
4.1	244-58-04-000	INNER SEALING WELDED ASSY	1
4.1.1	244-58-04-390	INNER SEALING TUBE FLANGE	1
4.1.2	244-58-04-391	INNER SEALING TUBE	1
4.2	R20217	URETHANE ONLY - H5000 VALVE	1
5	R07619	3/8 x 1 HEX BOLT	8
6	R07675	3/8 x 1 1/4" HEX BOLT	4
7	244-58-00-393	YOKE	1
8	244-58-00-392	VALVE GATE	1
9	R07794	3/8 FLANGE NUT	10
10	R07629	7/16 x 1 1/2 HEX BOLT	8
11	R07886	3/8 - 2 WAY LOCK NUT	2
12	R02360	8" SQ RAINWAY/HUSKY GASKET	1
13	R07926	5/16-18 x 1/4" SET SCREW	1
14	R07879	7/16 FLANGE NUT	8

HYDRAULIC CYLINDER AND FLANGE COMPLETE



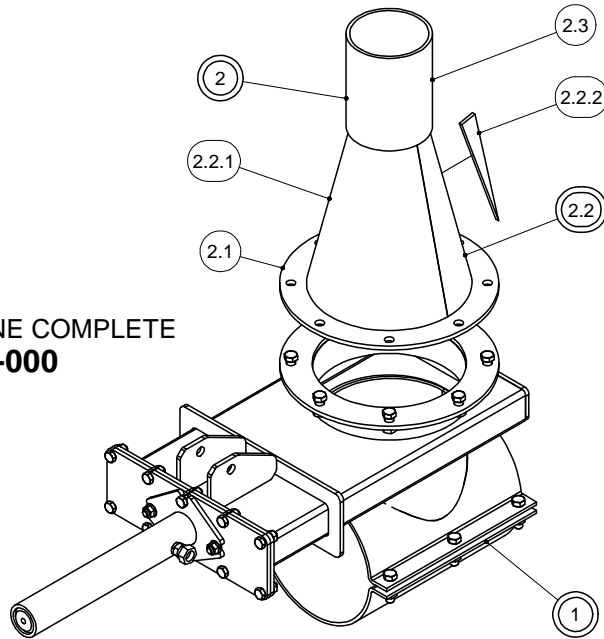
HYD CYL AND FLANGE COMPLETE 244-58-01-000

SEAL REPLACEMENT KIT - 340-47-00-000

PARTS LIST			
ITEM	PART NUMBER	DESCRIPTION	QTY
1	244-58-09-000	HYDRAULIC CYLINDER TUBE ASSY	1
1.1	244-26-01-344	CYLINDER TUBE FLANGE	1
1.2	244-26-01-343	HYDRAULIC CYLINDER TUBE	1
1.3	340-36-18-431	END CAP	1
2	R07794	3/8 FLANGE NUT	2
3	244-26-00-345	FLANGE	1
4	340-36-00-434	WIPER BLOCK	1
5	R20774	3/4" HYTREL ROD WIPER 52-750	1
6	R20862	3/4" BACKUP #210	1
7	R20771	O-RING #11-210	1
8	R20866	O-RING #11-218	3
9	R20867	BACKUP RING #8-218	2
10	R20865	O-RING #11-014	1
11	R21287	1/4M x 3/8 SWIVEL ADAPTER	1
12	R07776	3/8" x 3/4" CARRIAGE BOLT	2
13	244-58-01-394	CYLINDER SHAFT	1
14	340-36-00-435	CYLINDER PLUNGER	1
15	R07885	1/2 - 2 WAY LOCK NUT	1

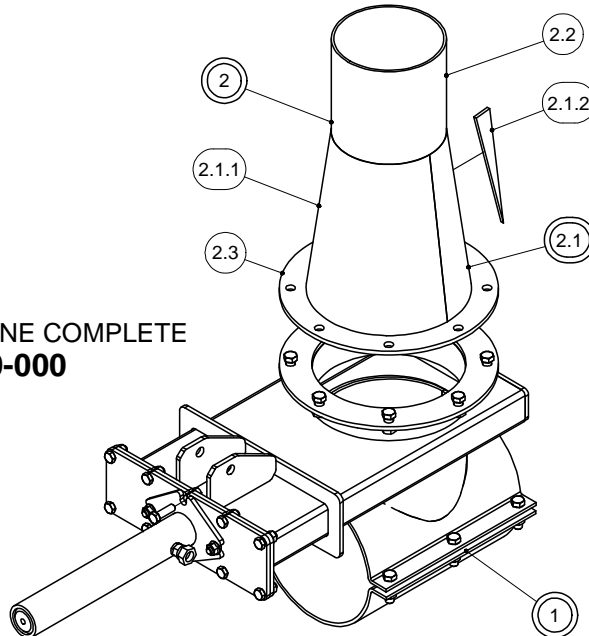
UPPER & LOWER VALVE & CONE COMPLETE

UPPER VALVE & CONE COMPLETE 244-15-00-000



PARTS LIST				PARTS LIST			
ITEM	PART NUMBER	DESCRIPTION	QTY	ITEM	PART NUMBER	DESCRIPTION	QTY
1	244-15-01-000	AGITATOR VALVE & CYLINDER KIT	1	2.2.1	242-20-29-244	UPPER DISCHARGE CONE	2
2	242-20-53-000	UPPER CONE AND FLANGE ASSY	1	2.2.2	242-07-00-046	CONE RIBS	4
2.1	242-58-48-285	DEFLECTOR FLANGE	1	2.3	242-20-53-397	UPPER CONE EXTENSION PIPE	1
2.2	242-20-29-000	UPPER CONE ASSY	1				

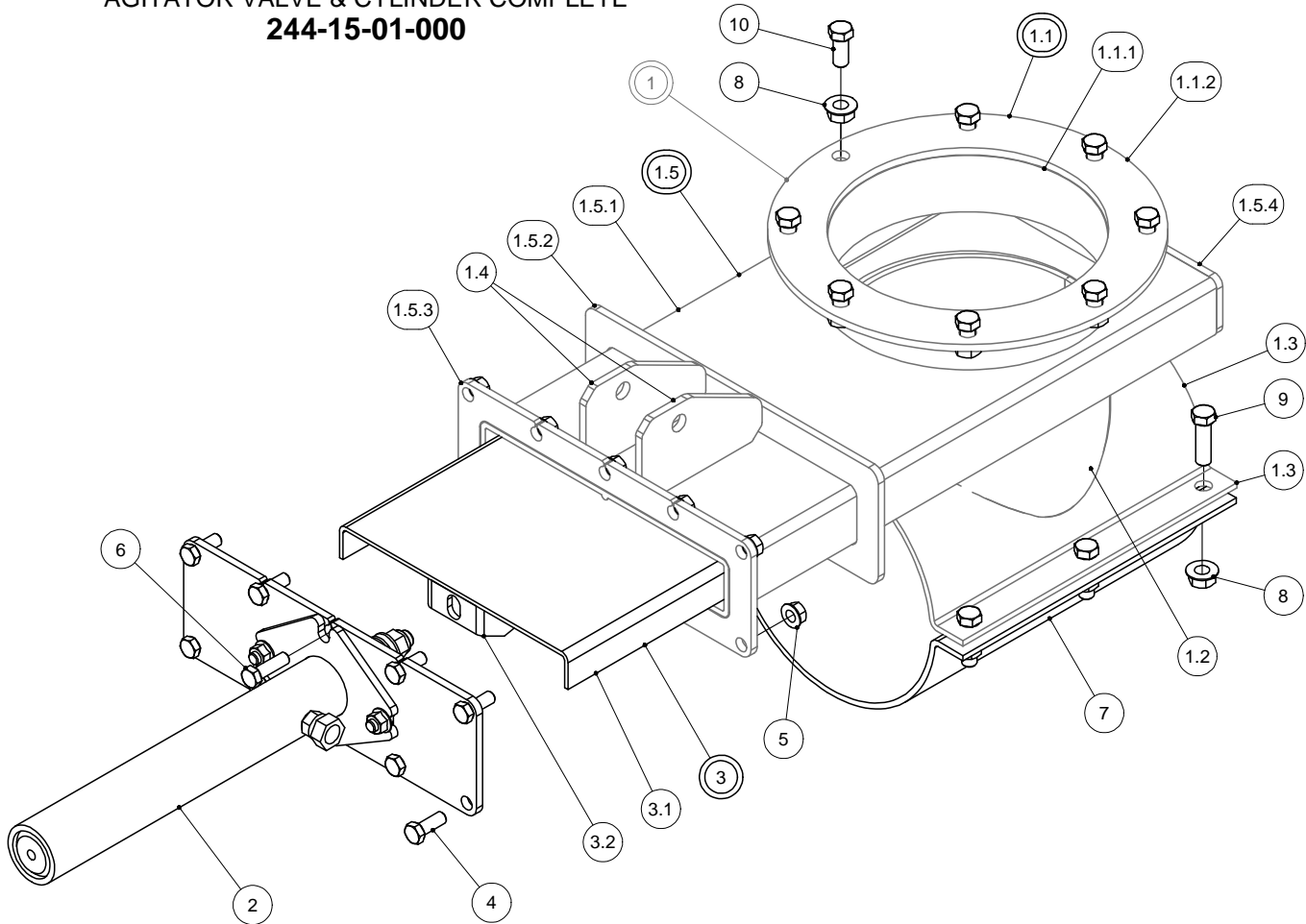
LOWER VALVE & CONE COMPLETE 244-16-00-000



PARTS LIST				PARTS LIST			
ITEM	PART NUMBER	DESCRIPTION	QTY	ITEM	PART NUMBER	DESCRIPTION	QTY
1	244-15-01-000	AGITATOR VALVE & CYLINDER KIT	1	2.1.2	242-07-00-046	CONE RIBS	4
2	244-16-03-000	LOWER CONE AND FLANGE ASSY	1	2.2	242-93-40-398	LOWER CONE EXTENSION	1
2.1	242-93-23-000	LOWER CONE ASSY	1	2.3	242-58-48-285	DEFLECTOR FLANGE	1
2.1.1	242-93-23-226	DISCHARGE CONE	2				

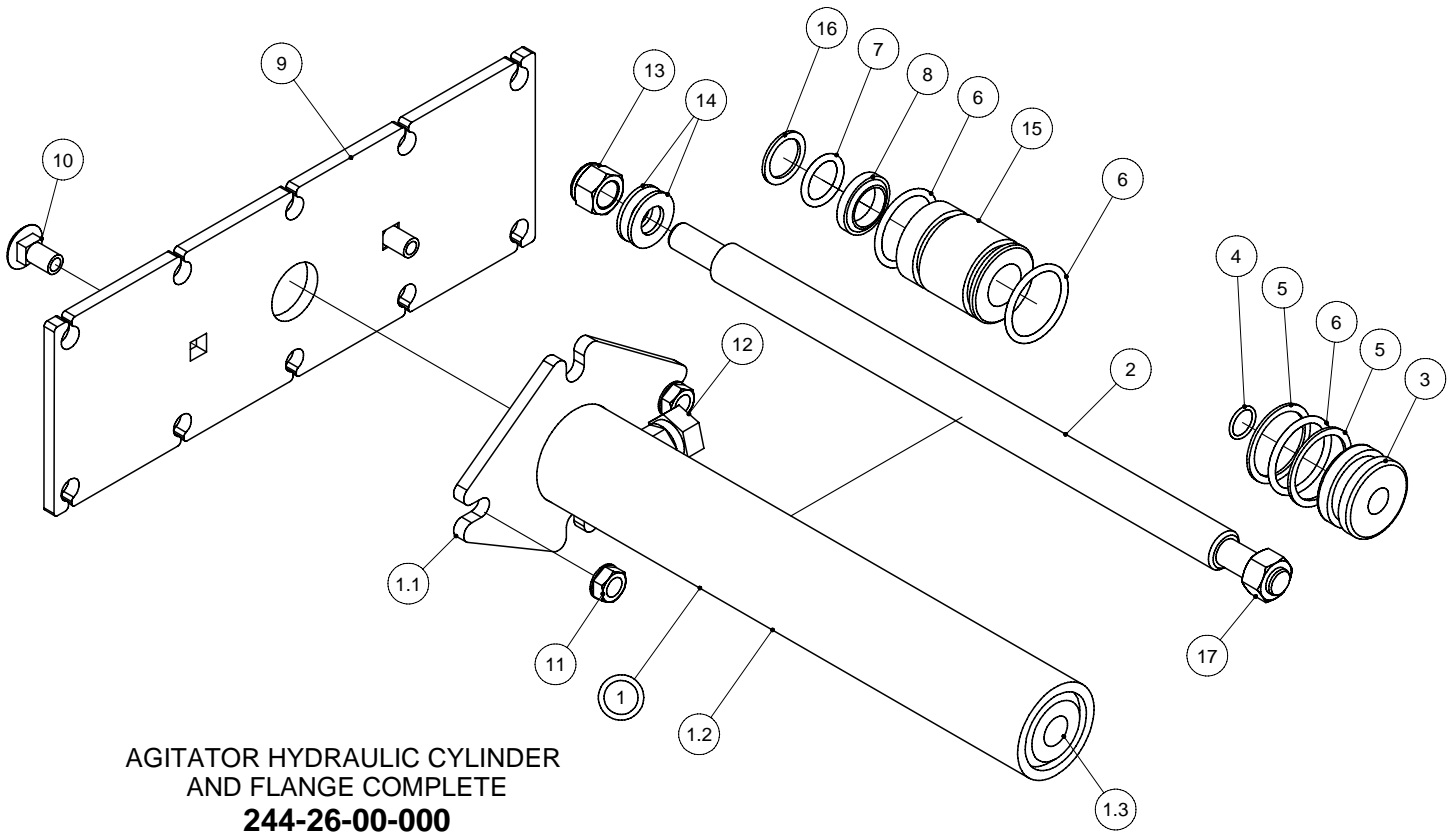
AGITATOR VALVE & CYLINDER COMPLETE

AGITATOR VALVE & CYLINDER COMPLETE 244-15-01-000



PARTS LIST				PARTS LIST			
ITEM	PART NUMBER	DESCRIPTION	QTY	ITEM	PART NUMBER	DESCRIPTION	QTY
1	244-15-02-000	UPPER VALVE & FLANGE ASSY	1	2	508-09-00-000	AGITATOR CYL COMPLETE - 8" JIC	1
1.1	242-20-51-000	UPPER CONE FLANGE ASSY	1	3	242-36-42-000	VALVE GATE ASSY	1
1.1.1	242-93-23-224	CONE MOUNT	1	3.1	242-36-42-268	VALVE GATE	1
1.1.2	242-58-48-285	DEFLECTOR FLANGE	1	3.2	242-36-42-269	VALVE GATE BRKT	1
1.2	242-93-00-219	TEE SIDE	1	4	R07619	3/8 x 1 UNC HEX BOLT	8
1.3	242-93-00-220	CONE CLAMP ON BRKT	1	5	R07794	3/8-16 UNC FLANGE NUT	10
1.4	244-15-03-430	CYLINDER BRKT	2	6	R07675	3/8 x 1 1/4 UNC HEX BOLT	2
1.5	244-14-01-000	VALVE BODY ASSY	1	7	242-00-00-221	CONE CLAMP ON BRKT	1
1.5.1	244-14-01-323	VALVE BODY	1	8	R07879	7/16-14 UNC FLANGE NUT	14
1.5.2	244-14-01-324	VALVE BODY SUPPORT	1	9	R07629	7/16 x 1 1/2 UNC HEX BOLT	6
1.5.3	242-97-00-231	VALVE INNER FLANGE	1	10	R07628	7/16 x 1 UNC HEX BOLT	8
1.5.4	242-97-00-230	VALVE END CAP	1				

AGITATOR VALVE CYLINDER COMPLETE

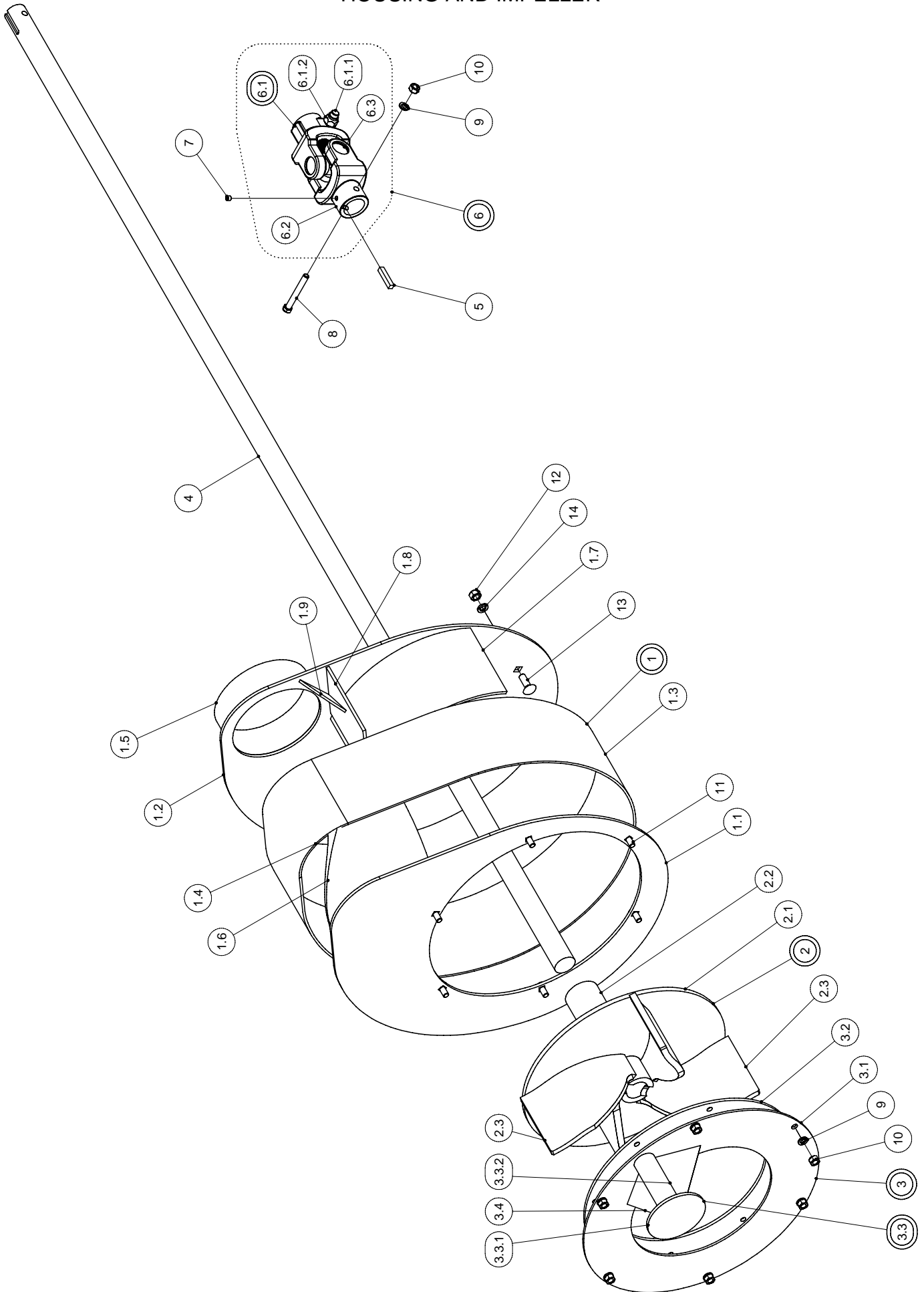


AGITATOR HYDRAULIC CYLINDER
AND FLANGE COMPLETE
244-26-00-000

SEAL REPLACEMENT KIT - **340-47-00-000**

PARTS LIST			
ITEM	PART NUMBER	DESCRIPTION	QTY
1	244-26-01-000	HYDRAULIC CYLINDER TUBE ASSY	1
1.1	244-26-01-344	CYLINDER TUBE FLANGE	1
1.2	244-26-01-343	HYDRAULIC CYLINDER TUBE	1
1.3	340-36-18-431	END CAP	1
2	244-14-02-325	CYLINDER SHAFT	1
3	340-36-00-435	CYLINDER PLUNGER	1
4	R20865	O-RING #11-014	1
5	R20867	BACKUP RING #8-218	2
6	R20866	O-RING #11-218	3
7	R20771	O-RING #11-210	1
8	R20774	3/4" HYTREL ROD WIPER 52-750	1
9	244-26-00-345	FLANGE	1
10	R07776	3/8" x 3/4" CARRIAGE BOLT	2
11	R07794	3/8 FLANGE NUT	2
12	R21287	1/4M x 3/8 SWIVEL ADAPTER	1
13	R08229	1/2" S.S. NYLOC HEX NUT	1
14	R08222	1/2" SAE S.S. FLAT WASHER	2
15	340-36-00-434	WIPER BLOCK	1
16	R20862	3/4" BACKUP #210	1
17	R07885	1/2 - 2 WAY LOCK NUT	1

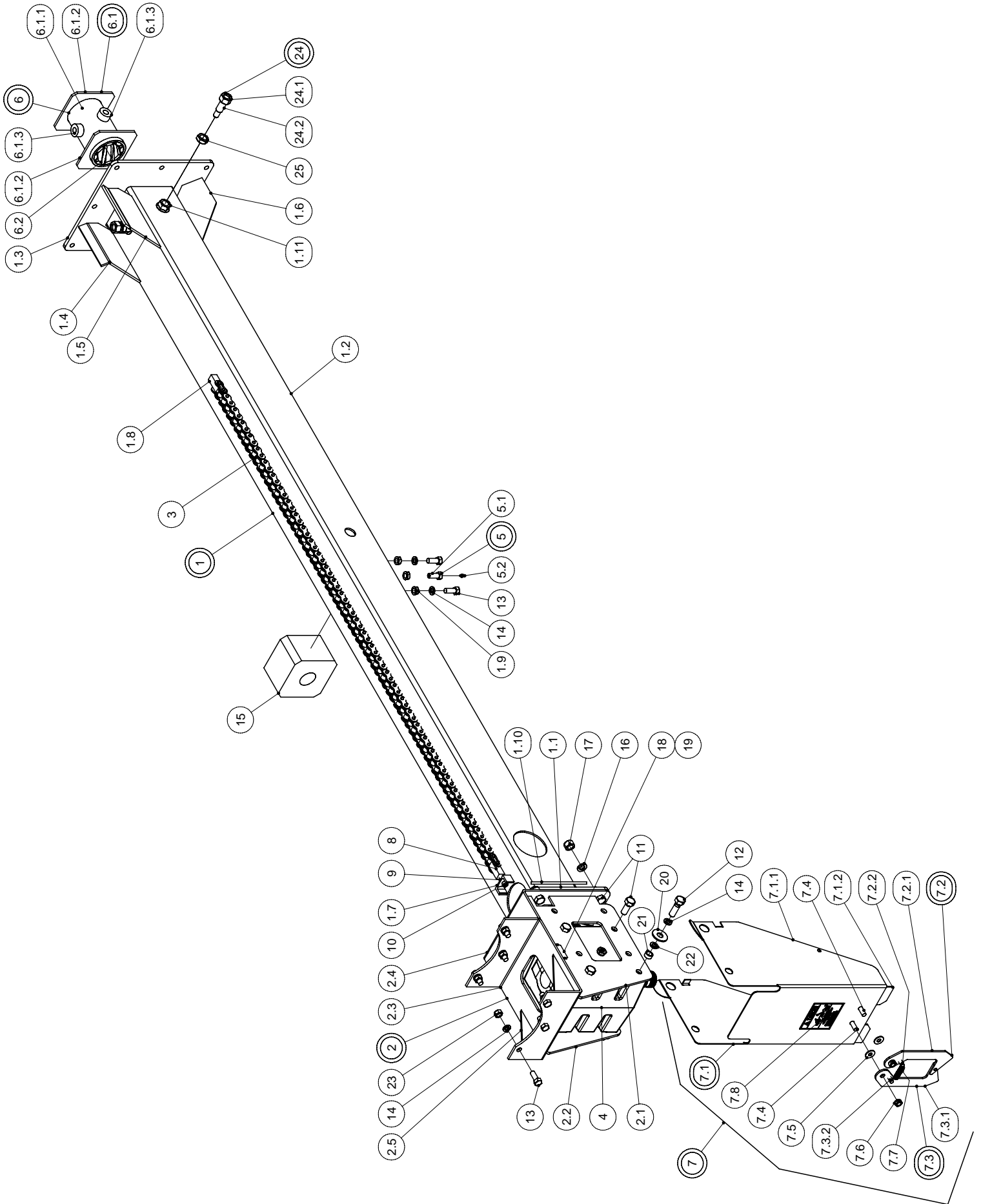
HOUSING AND IMPELLER



HOUSING AND IMPELLER

PARTS LIST			
ITEM	PART NUMBER	DESCRIPTION	QTY
1	244-39-00-000	HOUSING ASSY	1
1.1	244-39-00-374	LOWER HOUSING PLATE	1
1.2	244-39-00-373	HOUSING UPPER PLATE	1
1.3	244-39-00-376	BAND	1
1.4	244-39-00-386	HOUSING BAND CAP	1
1.5	244-39-00-375	DISCHARGE TUBE	1
1.6	244-39-00-378	BOOT END PLATE	1
1.7	244-39-00-385	INNER HOUSING BAND	1
1.8	244-39-00-377	SIDE PLATE	1
1.9	244-39-00-384	GUSSET	1
2	244-18-00-000	IMPELLER ASSY	1
2.1	244-18-00-330	IMPELLER BACK PLATE	1
2.2	244-18-00-331	IMPELLER SLEEVE	1
2.3	244-18-00-329	CHT IMPELLER BLADE	4
3	244-01-00-000	COVER PLATE ASSY	1
3.1	244-01-00-256	COVER PLATE	1
3.2	244-01-00-255	COVER PLATE SUPPORT	1
3.3	250-04-03-000	FOOT ASSY	1
3.3.1	250-04-03-012	FOOT END	1
3.3.2	250-04-03-013	FOOT PLATE	1
3.4	250-04-00-173	FOOT GUSSET	2
4	242-00-00-258	DRIVE SHAFT - 8FT MODEL	1
	244-00-00-259	DRIVE SHAFT - 10FT MODEL	1
	246-00-00-260	DRIVE SHAFT - 12FT MODEL	1
5	270-00-00-075	3/8 KEY - 50mm LONG	1
6	242-54-00-000	KNUCKLE ASSY	1
6.1	R22028	1 3/4" QD YOKE 27T C/W BOLT & NUT	1
6.1.1	R08281	M16-2 x 90 HEX BOLT	1
6.1.2	R08266	M16-2 NYLON INSERT LOCK NUT	1
6.2	R22030	1 3/4" ROUND HOLE YOKE	1
6.3	R22029	CROSS KIT	1
7	R07909	3/8 x 3/8 SET SCREW	1
8	R07633	7/16 x 3 1/2 UNC HEX BOLT	1
9	R07804	7/16" LOCK WASHER	7
10	R07784	7/16-14 UNC HEX NUT	7
11	R07731	7/16 x 1 UNC CARRIAGE BOLT	6
12	R07785	1/2-13 UNC HEX NUT	8
13	R07777	1/2 x 1 1/2 UNC CARRIAGE BOLT	8
14	R07805	1/2" LOCK WASHER	8

H-5000 DRIVE SHAFT TUBE



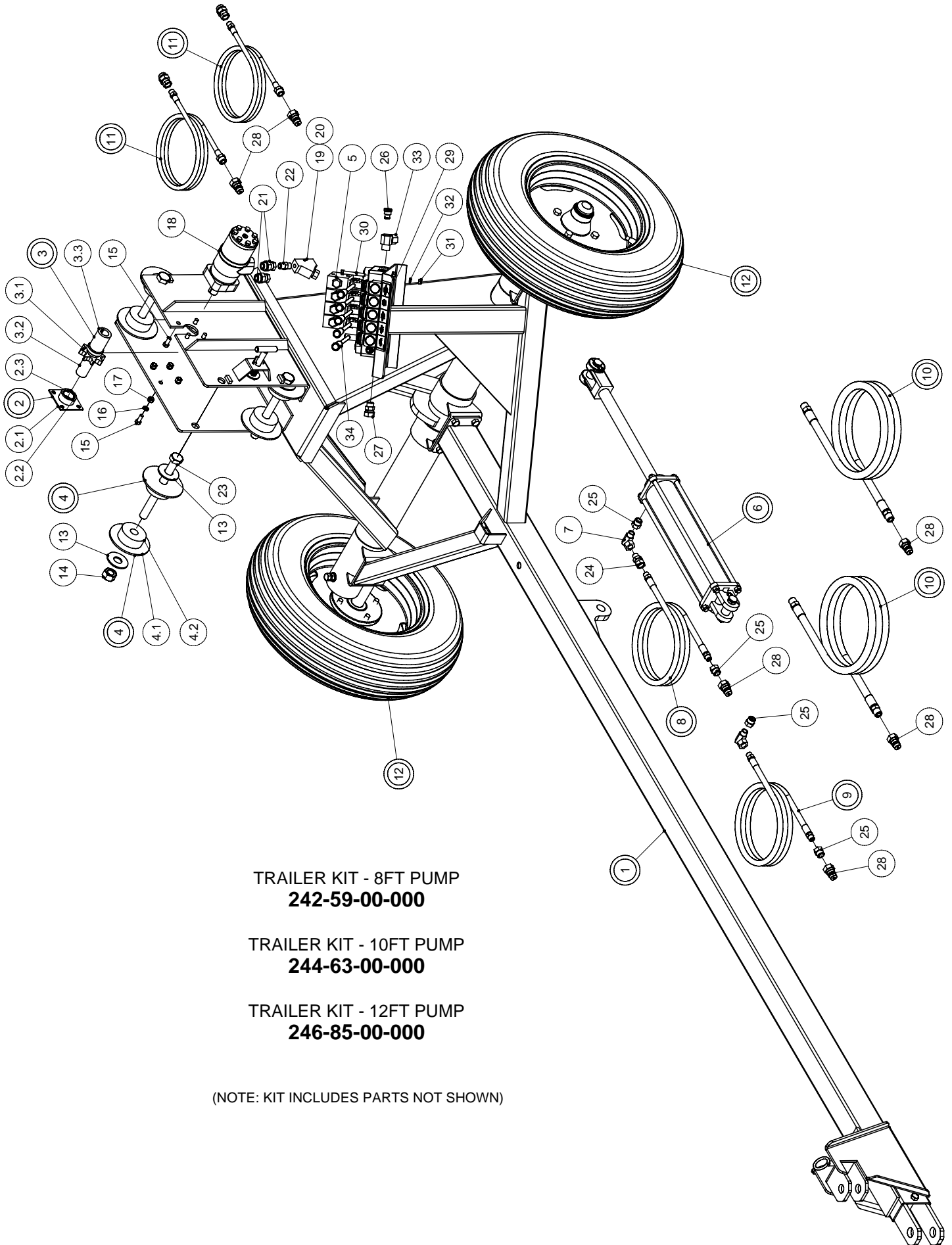
H-5000 DRIVE SHAFT TUBE

PARTS LIST				PARTS LIST			
ITEM	PART NUMBE	DESCRIPTION	QTY	ITEM	PART NUMBE	DESCRIPTION	QTY
1	242-82-00-000	SHAFT TUBE ASSY-8 FT	1	7.2.2	242-16-00-080	SPRING RETAINING ROD	1
1	244-83-00-000	SHAFT TUBE ASSY-10 FT	1	7.3	242-96-00-000	LH STABILIZER BRKT ASSY	1
1	246-84-00-000	SHAFT TUBE ASSY-12 FT	1	7.3.1	242-16-00-079	STABILIZER BRKT	1
1.1	242-11-00-062	DRIVE SHAFT TUBE END PLATE	1	7.3.2	242-16-00-080	SPRING RETAINING ROD	1
1.2	242-82-00-203	SHAFT TUBE-8 FT	1	7.4	R07671	7/16 x 1 1/4 HEX BOLT	2
1.2	244-83-00-205	SHAFT TUBE-10 FT	1	7.5	R07824	7/16 FLAT WASHER	2
1.2	246-84-00-206	SHAFT TUBE-12 FT	1	7.6	R07891	7/16 2-WAY LOCK NUT	2
1.3	242-82-00-204	LOWER SHAFT TUBE FLANGE	1	7.7	R08025	STABILIZER SPRING	1
1.4	242-82-00-415	RH GUSSET STOP PLATE	1	7.8	R21521	"ROTATING DRIVE LINE" DECAL	1
1.5	242-11-00-057	LH GUSSET STOP PLATE	1	8	242-00-00-066	CHAIN TIGHTENER	1
1.6	242-11-00-058	SHAFT TUBE GUSSET	2	9	R07797	3/8" UNF HEX NUT	1
1.7	242-11-00-061	TIGHTENER BRACKET	1	10	R07868	3/8 x 1 1/2 SOC. HD CAP SCREW	1
1.8	242-11-00-059	CHAIN HOLD DOWN BRACKET	1	11	R07646	5/8-11 UNC x 1.5 HEX BOLT	10
1.9	R08304	1/2 S.S. FLANGE NUT	3	12	R07647	5/8 x 2" HEX BOLT	2
1.10	242-11-00-064	TUBE GUSSET	2	13	R07674	1/2 x 1 1/4 HEX BOLT	8
1.11	R08433	3/4-10 UNC PLATED FLANGE NUT	2	14	R07805	1/2 LOCK WASHER	10
2	244-03-00-000	GEARBOX BRKT ASSY	1	15	R20235	5.58" SQ WOOD BEARING	1
2.1	244-03-00-262	RH GEARBOX BRKT	1	16	R07806	5/8 LOCK WASHER	4
2.2	244-03-00-263	LH GEARBOX BRKT	1	17	R07786	5/8 HEX NUT	4
2.3	242-14-00-075	STANDPIPE SADDLE	1	18	R09071	SERIAL NUMBER PLATE	1
2.4	242-14-00-074	GEARBOX LOWER PLATE	1	19	R08152	6 x 1/4 PAN HD SOCKET SCREW	2
2.5	244-03-00-414	GEARBOX BRKT GUSSET	2	20	R07826	5/8 FLAT WASHER	2
3	242-00-00-065	ROLLER CHAIN - 8 FT	1	21	242-00-00-338	FLIP GUARD SPACER	2
	244-00-00-169	ROLLER CHAIN - 10 FT	1	22	R09638	RUBBER WASHER 7/8 X 1/2" X 1/8"	2
	246-00-00-177	ROLLER CHAIN - 12 FT	1	23	R07785	1/2 HEX NUT	6
4	R22478	SUPERIOR GEARBOX 1-1	1	24	244-97-00-000	3/4" S.S. SET SCREW ASSY	2
	R22481	SUPERIOR GEARBOX 1.18:1		24.1	R08432	3/4-10 SS UNC HEX NUT	1
	R22479	SUPERIOR GEARBOX 1.35:1		24.2	244-97-00-522	3/4" S.S. REDDI THREAD SET SCREW	1
	R22480	SUPERIOR GEARBOX 1.5:1		25	R07847	3/4-10 UNC JAM NUT	2
5	244-88-00-000	WOOD BEARING GREASE BOLT KIT	1				
5.1	244-88-00-451	WOOD BEARING GREASE BOLT	1				
5.2	R08183	1/4" - 28 STRAIGHT GREASE FITTING	1				
6	244-13-00-000	MARINE BEARING & HOLDER COMP.	1				
6.1	244-13-01-000	2 3/4" MARINE BEARING HOLDER	1				
6.1.1	244-13-01-320	HOLDER TUBE	1				
6.1.2	244-13-01-321	BEARING HOLDER PLATE	2				
6.1.3	244-13-01-322	SET SCREW SEAT	2				
6.2	R20224	H5000 2 3/4" URETHENE FOR BRG	1				
7	242-45-00-000	PTO GUARD AND BRKT KIT	1				
7.1	244-04-00-000	PTO GUARD ASSY	1				
7.1.1	244-04-00-264	PTO GUARD	1				
7.1.2	244-04-00-265	REINFORCING ANGLE	1				
7.2	242-16-00-000	RH STABILIZER BRKT ASSY	1				
7.2.1	242-16-00-079	STABILIZER BRKT	1				

FOR 12 FT PUMPS

ITEM # 1.9 QTY 7
 ITEM # 5 QTY 2
 ITEM # 14 QTY 10
 ITEM # 15 QTY 13
 ITEM # 16 QTY 2

TRAILER COMPLETE



TRAILER KIT - 8FT PUMP
242-59-00-000

TRAILER KIT - 10FT PUMP
244-63-00-000

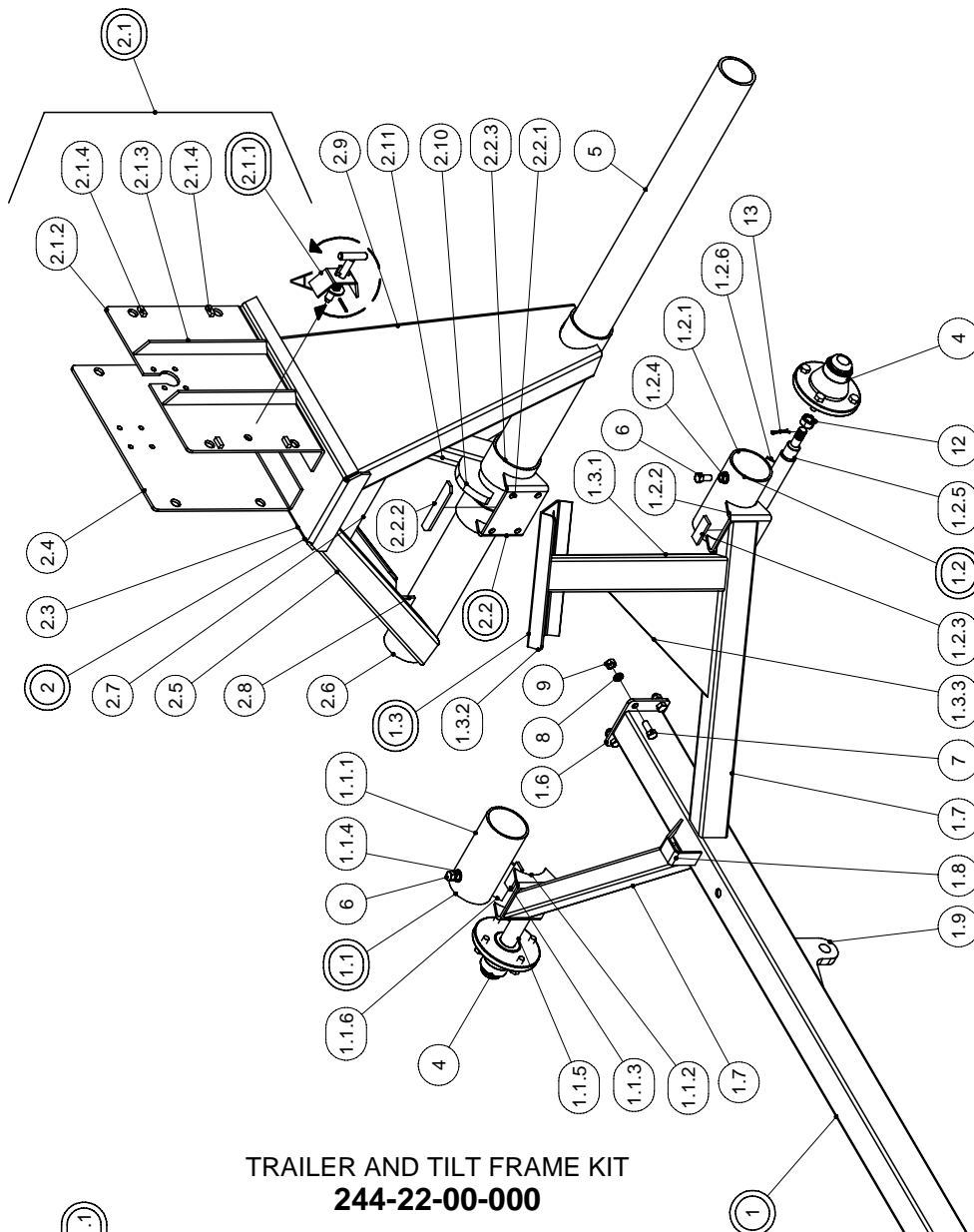
TRAILER KIT - 12FT PUMP
246-85-00-000

(NOTE: KIT INCLUDES PARTS NOT SHOWN)

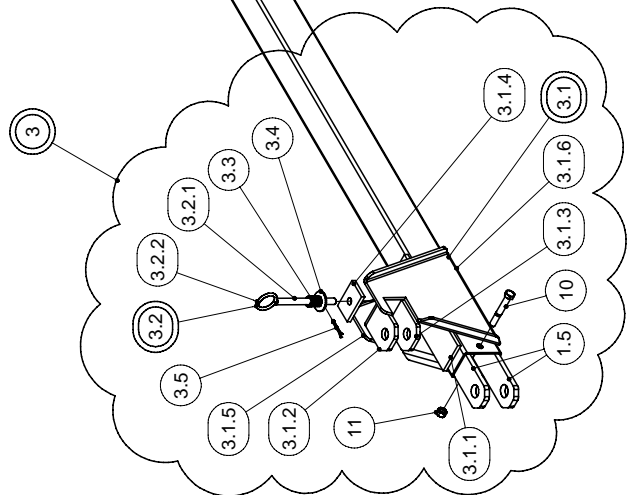
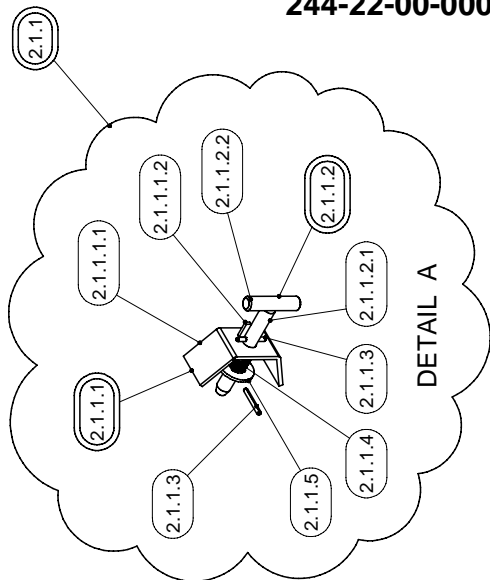
TRAILER COMPLETE

PARTS LIST			
ITEM	PART NUMBER	DESCRIPTION	QTY
1	244-22-00-000	TRAILER AND TILT FRAME KIT	1
2	242-26-00-000	BUSHING HOLDER ASSY	1
2.1	242-26-00-133	BUSHING HOLDER PLATE	1
2.2	242-26-00-134	BUSHING HOLDER	1
2.3	R20259	BUSHING 1 1/4 x 1 1/2 x 3/4 LONG	1
3	242-25-00-000	SPROCKET DRIVE ASSY	1
3.1	250-25-00-257	80 B8 SROCKET w/ 1 1/4" BORE	1
3.2	242-25-00-131	SPROCKET SHAFT	1
3.3	242-25-00-132	MOTOR TO SHAFT COUPLING	1
4	242-24-00-000	SPOOL ROLLER ASSY	8
4.1	242-24-00-129	SPOOL END PLATE	1
4.2	242-24-00-128	SPOOL HOLDER	1
5	R22250	5 BANK MONOBLOCK VALVE	1
6	R20729	3 x 14 HYDRAULIC CYLINDER	1
7	R21366	3/8" x 90° NPT STREET ELBOW	2
8	244-47-00-000	HYD HOSE ASSY-TRACTOR TO TIP CYLINDER	1
9	246-20-00-000	HYD HOSE ASSY-TRACTOR TO TIP CYLINDER	1
10	290-33-00-000	1/2" HYDRAULIC HOSE ASSY	2
11	244-80-00-000	HYD HOSE ASSY-TRACTOR TO ORBIT MOTOR	2
12	250-65-00-000	TIRE & WHEEL ASSY - 5.9 x 15	2
13	R07828	1" FLAT WASHER	8
14	R08047	7/8 - 2 WAY LOCK NUT	4
15	R07670	3/8 x 7/8 HEX BOLT	8
16	R07803	3/8 LOCK WASHER	8
17	R07783	3/8 HEX NUT	4
18	R22255	M&S HYDRAULIC MOTOR	1
19	R22597	ORIFICE BLOCK	1
20	R22598	ORIFICE CARTRIDGE .023	1
21	R21278	7/8-14 SAE M x 3/8 NPT F ADAPTER	2
22	R21397	3/8" HYDRAULIC NIPPLE	1
23	R07697	7/8 X 9" HEX BOLT	4
24	R21336	3/8 - 18 RESTRICTOR	1
25	R02043	BUSHING 1/2 x 3/8	4
26	R22252	3/4 SAE ADAPTOR PLUG w/ O-RINGS-CLOSED CENTER	1
27	R21276	3/4 SAE X 1/2" NPT ADAPTOR	1
28	R21342	1/2" MALE PIONEER TIP	6
29	R09653	CONTROL VALVE STICKER-H5	1
30	R07614	5/16" x 2 1/2 HEX BOLT	3
31	R07782	5/16 HEX NUT	3
32	R07802	5/16 LOCK WASHER	3
33	R20814	3/4 SAE x 1/2" NPT x 90° SW. ADAPTOR	1
34	R22251	VALVE HANDLE ASSY	5

TRAILER & TILT FRAME KIT



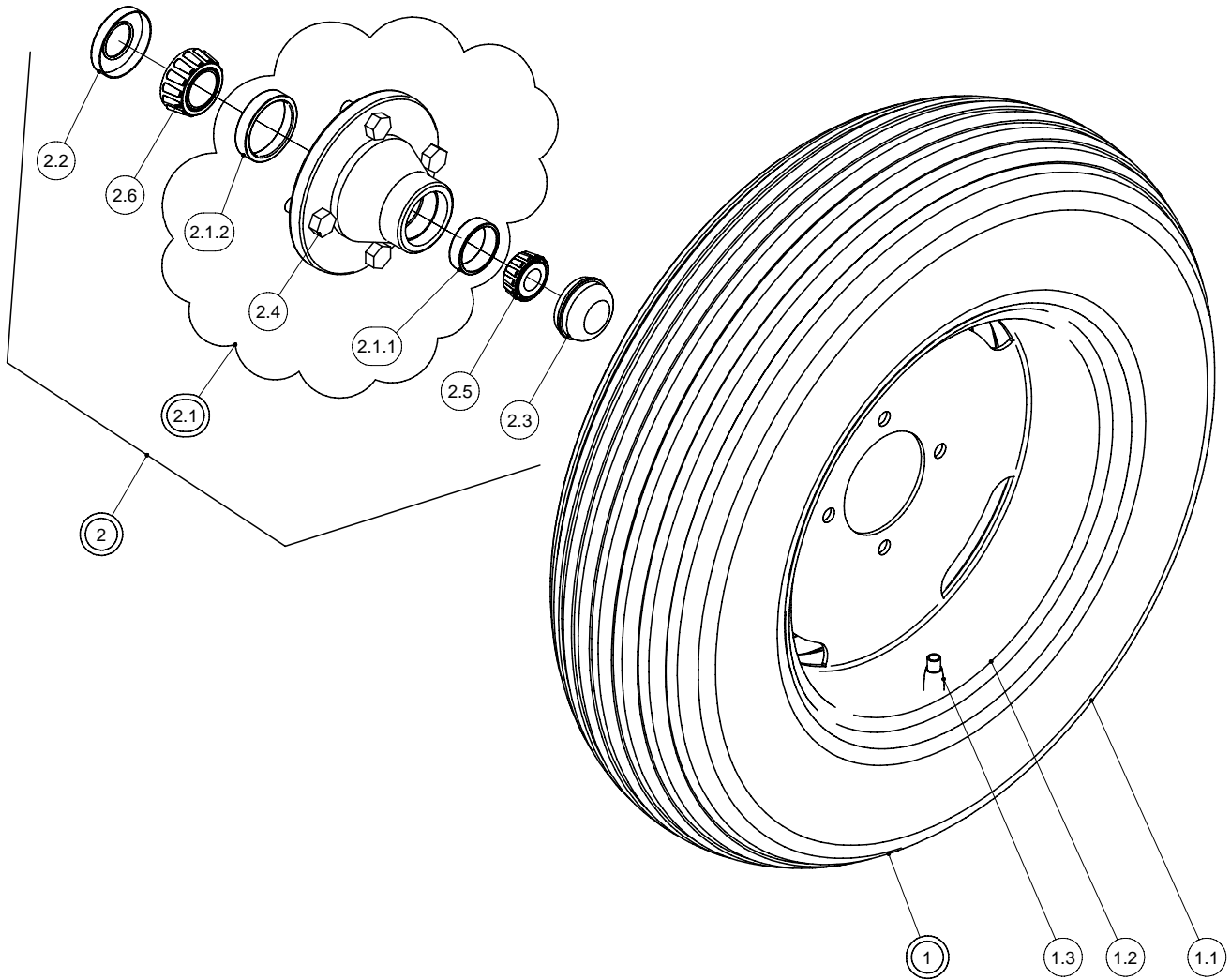
TRAILER AND TILT FRAME KIT
244-22-00-000



TRAILER AND TILT FRAME KIT

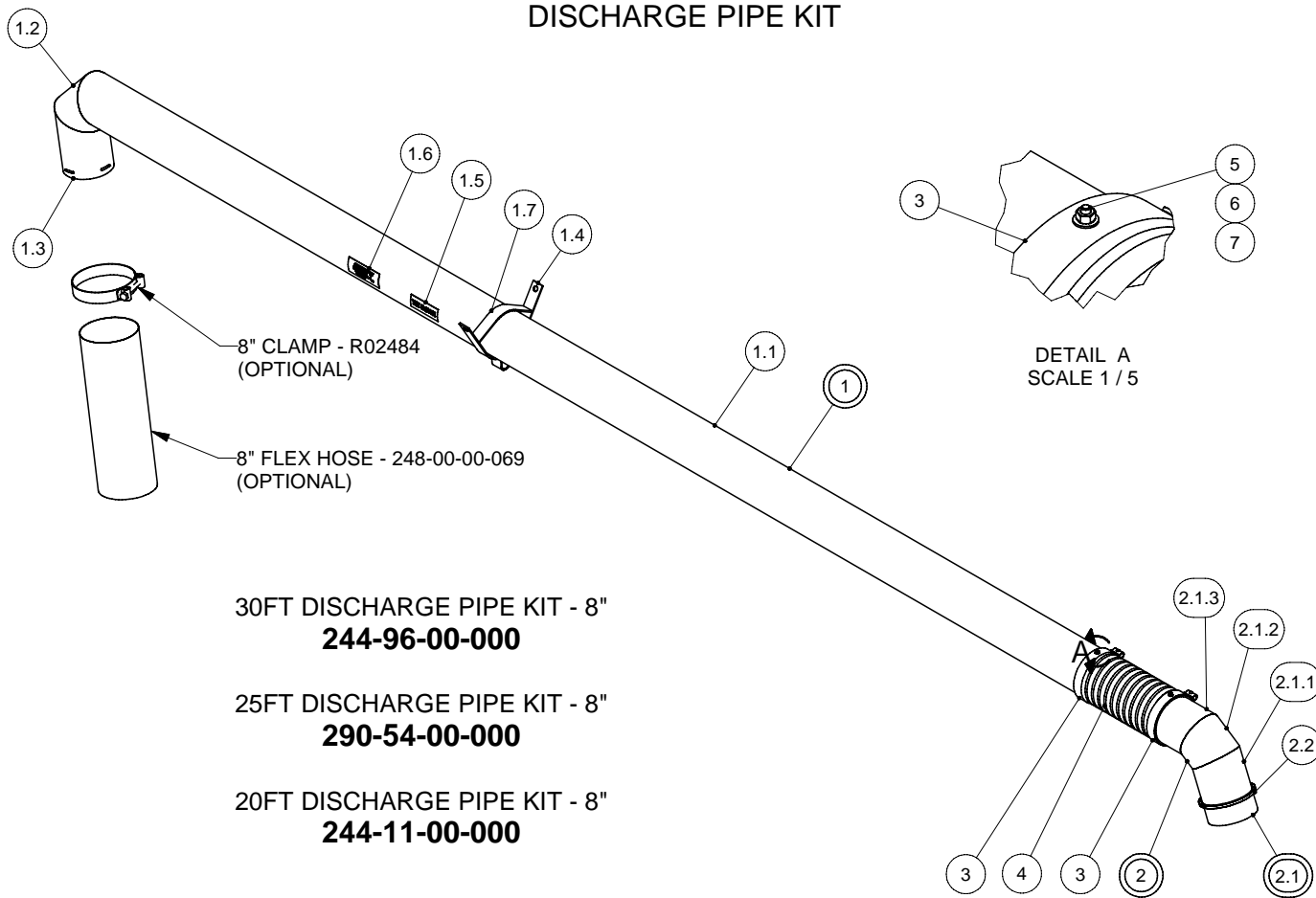
PARTS LIST				PARTS LIST			
ITEM	PART NUMBER	DESCRIPTION	QTY	ITEM	PART NUMBER	DESCRIPTION	QTY
1	242-89-00-000	TRAILER ASSY	1	2.1.4	242-17-13-261	STOP BLOCK	4
1.1	242-18-14-000	RH SPINDLE SLEEVE HOLDER	1	2.2	242-19-00-000	TONGUE AXLE BRKT ASSY	1
1.1.1	242-18-00-102	OUTER SLEEVE	1	2.2.1	242-19-00-107	TONGUE AXLE BRKT	1
1.1.2	242-18-14-100	AXLE BRACE BRKT	1	2.2.2	242-19-00-108	REINFORCING BAR	1
1.1.3	242-18-14-101	REINFORCING BAR	1	2.2.3	242-19-00-109	OUTER SLEEVE	2
1.1.4	R07795	1/2" UNC FLANGE NUT	1	2.3	242-17-00-084	TILT FRAME BASE	1
1.1.5	R20141	SPINDLE	1	2.4	242-17-00-083	LH SPOOL HOLDER	1
1.1.6	242-89-00-215	SPINDLE REINFORCING BAR	1	2.5	242-17-00-085	LH SUPPORT ARM	1
1.2	242-18-28-000	LH SPINDLE SLEEVE HOLDER	1	2.6	242-17-00-090	WHEEL SHAFT SLEEVE	1
1.2.1	242-18-00-102	OUTER SLEEVE	1	2.7	242-17-00-088	TILT FRAME GUSSET	1
1.2.2	242-18-14-100	AXLE BRACE BRKT	1	2.8	242-17-00-091	SUPPORT ARM GUSSET	2
1.2.3	242-18-14-101	REINFORCING BAR	1	2.9	242-17-00-086	RH SUPPORT ARM	1
1.2.4	R07795	1/2" UNC FLANGE NUT	1	2.10	242-17-00-089	CYLINDER AXLE BRKT	1
1.2.5	R20141	SPINDLE	1	2.11	242-17-00-087	REINFORCING BARS	2
1.2.6	242-89-00-215	SPINDLE REINFORCING BAR	1	3	244-06-00-000	HITCH KIT	1
1.3	242-18-15-000	CONTROL VALVE STAND ASSY	1	3.1	242-99-00-000	HITCH ASSY	1
1.3.1	242-18-15-103	CONTROL VALVE STAND TUBE	1	3.1.1	242-99-00-238	HITCH BRKT	1
1.3.2	242-18-15-104	CONTROL VALVE PLATE	1	3.1.2	242-99-00-239	UPPER TONGUE PLATE	1
1.3.3	242-18-15-106	STANDTUBE GUSSET	1	3.1.3	242-99-00-240	LOWER TONGUE PLATE	1
1.4	242-18-00-092	TRAILER TUBE	1	3.1.4	242-99-00-242	PIN BRKT	1
1.5	242-89-00-243	TRAILER TUBE TONGUE PLATE	2	3.1.5	242-99-00-245	RH SIDE PLATE	1
1.6	242-18-00-099	TONGUE BRKT	1	3.1.6	242-99-00-241	LH SIDE PLATE	1
1.7	242-18-00-093	FRAME TUBE BRACE	2	3.2	242-98-00-000	DROP PIN ASSY	1
1.8	242-18-00-095	ROLLER CASE STOP	1	3.2.1	242-98-00-233	DROP PIN	1
1.9	242-18-00-096	CYLINDER GUSSET	1	3.2.2	250-00-00-354	1/4 X 1 1/2" RING	1
2	242-17-00-000	"A" FRAME ASSY	1	3.3	R08027	7/8 x 1 3/8 COMP. SPRING	1
2.1	242-17-13-000	RH SPOOL HOLDER ASSY	1	3.4	R07826	5/8 FLAT WASHER	1
2.1.1	242-27-00-000	SIDE LOCK KIT	1	3.5	R08207	5/32 x 1 1/2 S.S. COTTER PIN	1
2.1.1.1	242-17-17-000	SIDE LOCK BRACKET ASSY	1	4	250-60-30-000	H-411 HUB COMPLETE	2
2.1.1.1.1	242-17-17-193	SIDE LOCK BRACKET	1	5	242-00-00-113	INNER AXLE	1
2.1.1.1.2	242-17-17-194	PIN STOP	1	6	R07637	1/2 x 1 HEX BOLT	2
2.1.1.2	242-17-18-000	SIDE LOCK PIN ASSY	1	7	R07674	1/2 x 1 1/4 HEX BOLT	4
2.1.1.2.1	242-17-18-195	SIDE LOCK PIN	1	8	R07805	1/2 LOCK WASHER	4
2.1.1.2.2	242-17-18-196	PIN HANDLE	1	9	R07785	1/2 HEX NUT	4
2.1.1.3	R07943	3/16 x 1 1/2 ROLL PIN	2	10	R07642	1/2 x 3 1/2 HEX BOLT	1
2.1.1.4	R08027	7/8 x 1 3/8 COMP. SPRING	1	11	R07885	1/2 - 2 WAY LOCK NUT	1
2.1.1.5	R07826	5/8 FLAT WASHER	1	12	R20142	SLOTTED HEX NUT	2
2.1.2	242-17-13-081	RH SPOOL HOLDER	1	13	R08207	5/32 x 1 1/2 S.S. COTTER PIN	2
2.1.3	242-17-13-082	SPOOL HOLDER BRACE	2				

TIRE, WHEEL AND HUB



PARTS LIST			
ITEM	PART NUMBER	DESCRIPTION	QTY
1	250-65-00-000	TIRE & WHEEL ASSY - 5.9 x 15	1
1.1	R20016	5.9 x 15 RIB IMPLEMENT TIRE	1
1.2	R20057	4.5 x 15 WHEEL - 4 BOLT	1
1.3	R20020	VALVE STEM	1
2	250-60-30-000	H-411 HUB COMPLETE	1
2.1	R20139	H-411 HUBS w/ CUPS	1
2.1.1	R20130	H411 LM11910 O.CUP	1
2.1.2	R20129	H411 LM67010 I.CUP	1
2.2	R20144	OIL SEAL	1
2.3	R20143	DUST CAP	1
2.4	R20145	WB55 1/2 x 1 WHEEL BOLT	4
2.5	R20158	LM67048 OUTER CONE	1
2.6	R20159	LM29748 INNER CONE	1

DISCHARGE PIPE KIT



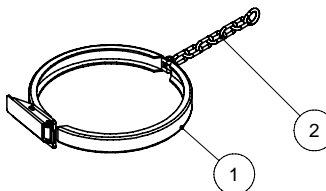
30FT DISCHARGE PIPE KIT - 8"
244-96-00-000

25FT DISCHARGE PIPE KIT - 8"
290-54-00-000

20FT DISCHARGE PIPE KIT - 8"
244-11-00-000

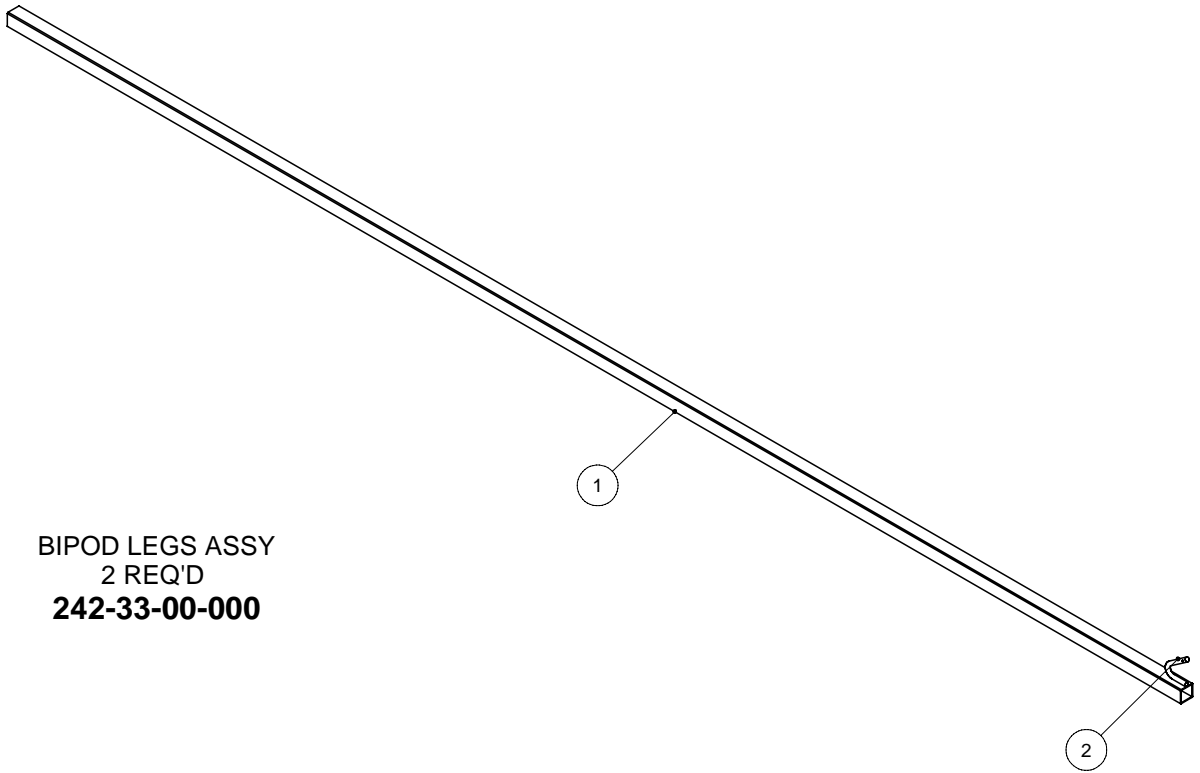
PARTS LIST				PARTS LIST			
ITEM	PART NUMBER	DESCRIPTION	QTY	ITEM	PART NUMBER	DESCRIPTION	QTY
1	244-96-01-000	30 FT DISCHARGE PIPE ASSY	*	2	244-08-00-000	PUMP ELBOW w/ RING ASSY	1
1	270-53-24-000	25 FT DISCHARGE PIPE ASSY	*	2.1	242-28-00-000	PUMP ELBOW ASSY	1
1	270-42-00-000	20 FT DISCHARGE PIPE ASSY	1	2.1.1	242-28-00-138	PUMP ELBOW BASE SECTION	1
1.1	244-96-01-506	30 FT DISCHARGE PIPE	*	2.1.2	242-28-00-139	PUMP ELBOW MIDDLE SECTION	1
1.1	270-53-24-155	25 FT DISCHARGE PIPE	*	2.1.3	242-28-00-140	PUMP ELBOW UPPER SECTION	1
1.1	270-42-00-130	20 FT DISCHARGE PIPE	1	2.2	244-08-00-307	CLAMP RING	1
1.2	242-30-00-146	DISCHARGE ELBOW CENTER PC	1	3	R02484	8" SUCTION HOSE CLAMP	2
1.3	242-30-00-147	DISCHARGE ELBOW END PC	1	4	242-00-00-141	FLEXIBLE HOSE SECTION	1
1.4	242-30-00-148	DISCHARGE PIPE HOOK	1	5	R07601	1/4 x 1 HEX BOLT	4
1.5	R09690	"TIE DOWN" DECAL	1	6	R07781	1/4 HEX NUT	4
1.6	R09502-8INCH	"HUSKY" DECAL	1	7	R07821	1/4 FLAT WASHER	4
1.7	242-30-00-528	8" PIPE HOOK REINFORCING STRAP	1				

8" CLAMP & CHAIN ASSY
244-09-00-000



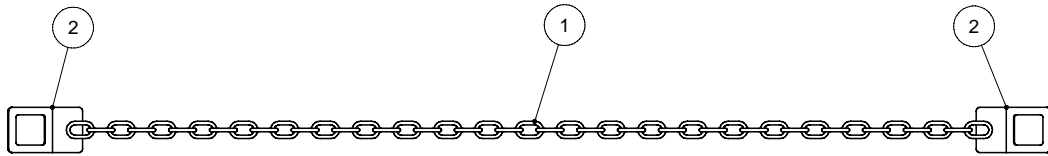
PARTS LIST			
ITEM	PART NUMBER	DESCRIPTION	QTY
1	R02488	8" RINGLOCK CLAMP	1
2	250-97-00-297	CLAMP CHAIN	1

DISCHARGE PIPE KIT CON'T



BIPOD LEGS ASSY
2 REQ'D
242-33-00-000

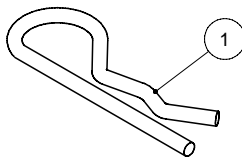
PARTS LIST			
ITEM	PART NUMBER	DESCRIPTION	QTY
1	242-33-00-155	BIPOD LEGS	1
2	242-33-00-156	BIPOD LEG HOOK	1



BIPOD LEG CHAIN ASSY
242-79-00-000

PARTS LIST			
ITEM	PART NUMBER	DESCRIPTION	QTY
1	242-79-00-199	BIPOD LEG CHAIN	1
2	242-79-00-198	BIPOD LEG CLIP	2

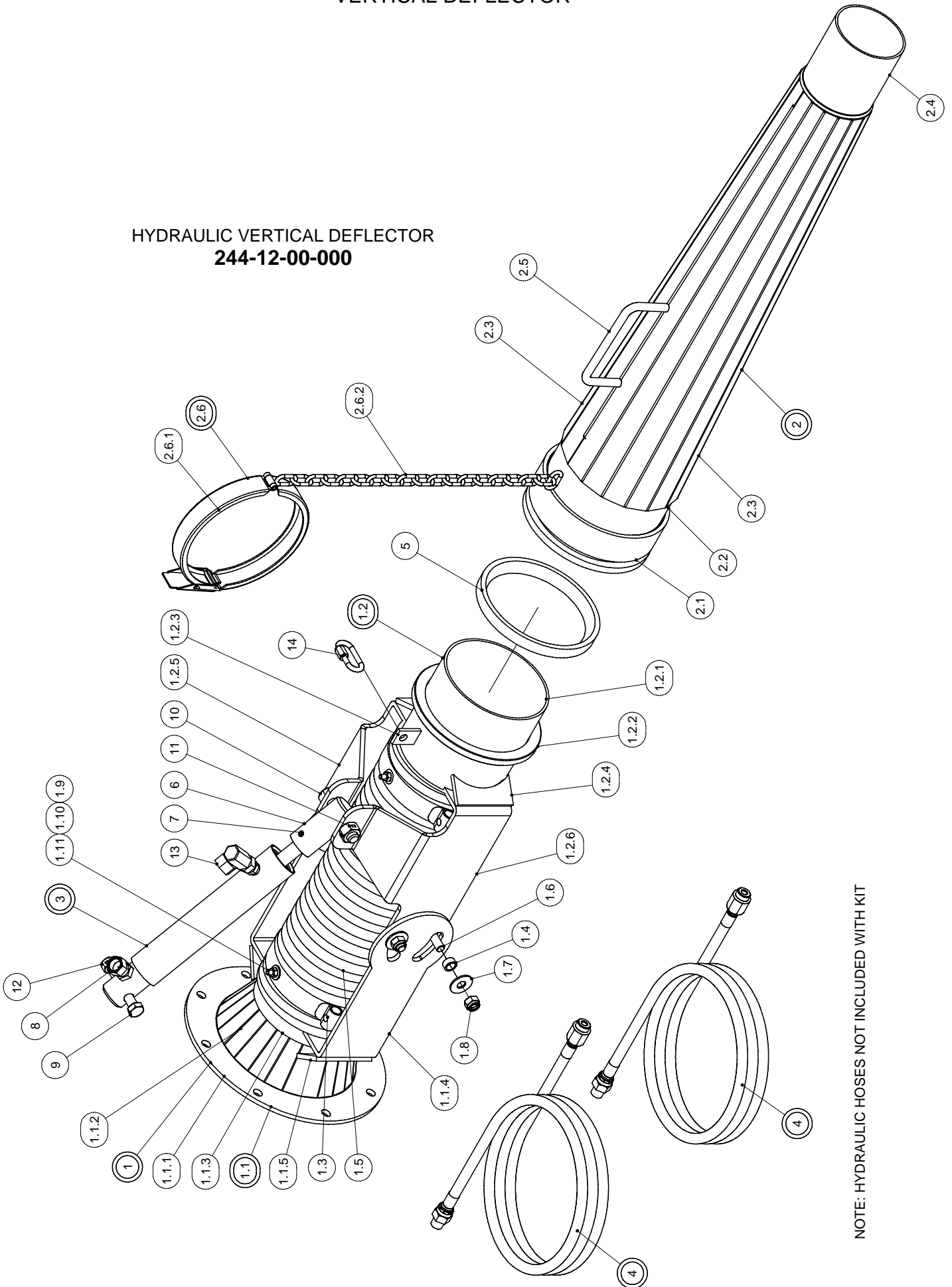
HAIR PIN
R07948



PARTS LIST			
ITEM	PART NUMBER	DESCRIPTION	QTY
1	R07948	5/32 HAIR PIN	1

VERTICAL DEFLECTOR

HYDRAULIC VERTICAL DEFLECTOR 244-12-00-000

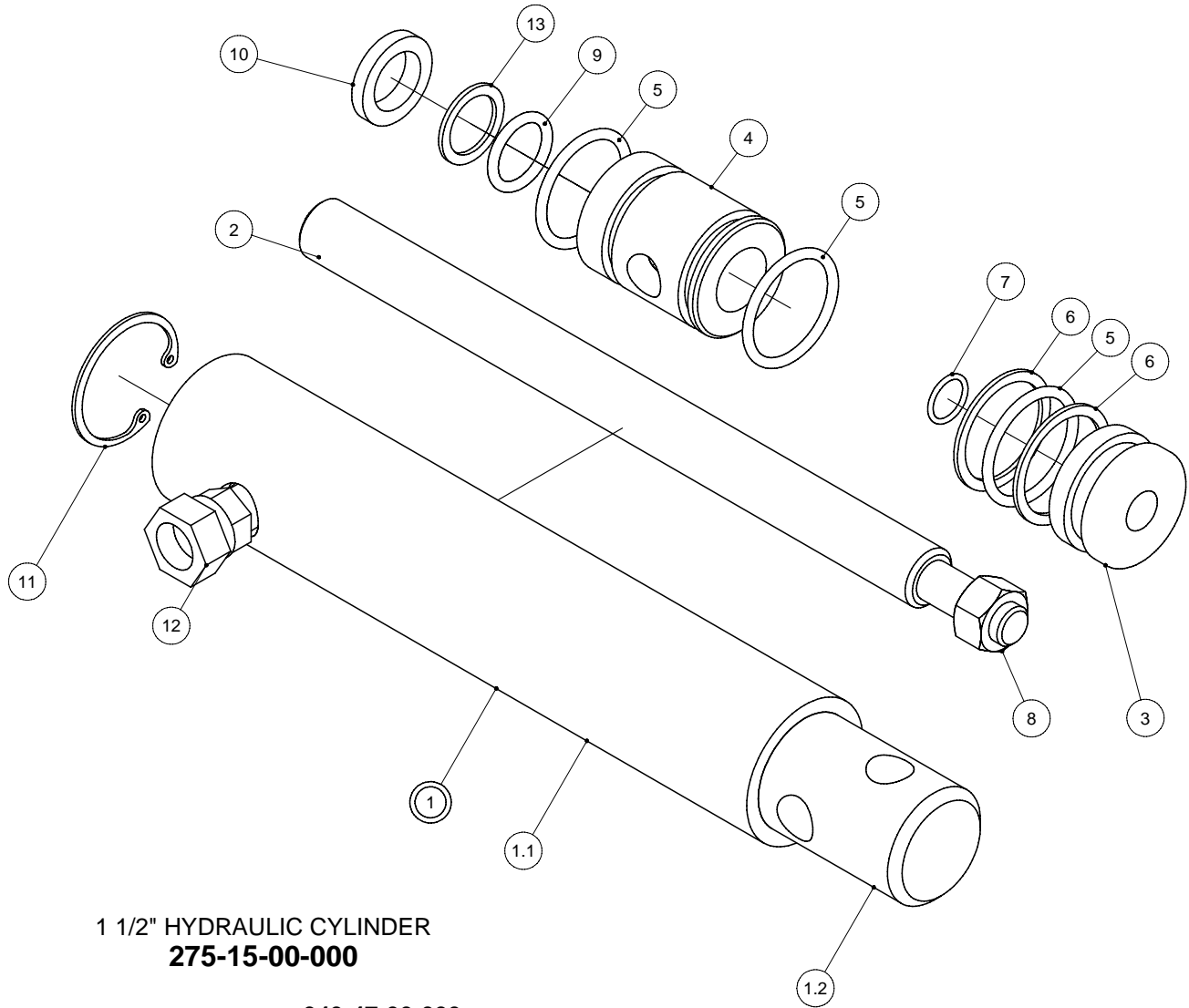


NOTE: HYDRAULIC HOSES NOT INCLUDED WITH KIT

VERTICAL DEFLECTOR

PARTS LIST			
ITEM	PART NUMBER	DESCRIPTION	QTY
1	244-12-08-000	DEFLECTOR MECHANISM KIT	1
1.1	244-12-01-000	CONE ASSY 8" TO 6" W/PIVOT BRKT	1
1.1.1	242-58-48-285	DEFLECTOR FLANGE	1
1.1.2	270-63-34-188	8 TO 6" CONE	1
1.1.3	244-12-03-313	CONE MALE END	1
1.1.4	244-05-43-276	MAIN PIVOT BRKT	2
1.1.5	244-12-01-332	GUSSET	2
1.2	244-12-02-000	CYLINDER BRKT ASSY	1
1.2.1	244-12-01-309	EXTENSION TUBE	1
1.2.2	250-95-00-295	CLAMP RING	1
1.2.3	250-96-00-298	CHAIN LUG	1
1.2.4	244-12-02-312	GUSSET	2
1.2.5	244-12-02-504	RH PIVOT BRKT	1
1.2.6	244-12-02-505	LH PIVOT BRKT	1
1.3	R02482	6" HOSE CLAMP	2
1.4	244-05-00-281	SPACER PIPE	4
1.5	270-63-00-187	FLEX HOSE	1
1.6	R07774	7/16 x 1 1/4 UNC CARRIAGE BOLT	4
1.7	R07824	7/16" FLAT WASHER	4
1.8	R08178	7/16 UNC NYLOCK NUT	4
1.9	R07821	1/4" FLAT WASHER	4
1.10	R07781	1/4-20 UNC HEX NUT	4
1.11	R07601	1/4 x 1 UNC HEX BOLT	4
2	244-12-07-000	CONE ASSY	1
2.1	250-96-01-296	COUPLING BASE TUBE	1
2.2	244-12-02-311	FILLER PIPE	1
2.3	244-12-03-314	CONE (HALF)	2
2.4	244-12-05-319	STUB TUBE	1
2.5	244-12-03-341	CONE HANDLE	1
2.6	244-99-00-000	CLAMP & CHAIN ASSY	1
2.6.1	R02487	6" RING LOCK CLAMP	1
2.6.2	244-99-00-527	CLAMP CHAIN	1
3	275-15-00-000	HYDRAULIC CYLINDER ASSY	1
4	244-67-00-000	1/4" HYD HOSE ASSY	2
5	R02366	6" RUBBER GASKET	1
6	242-58-00-293	CYLINDER SHAFT LUG	1
7	R07926	5/16-18 x 1/4" SET SCREW	1
8	R21336	3/8 - 18 RESTRICTOR	1
9	R07642	1/2 x 3 1/2 UNC HEX BOLT	1
10	R07649	5/8 x 3 UNC HEX BOLT	1
11	R07887	5/8-11 UNC 2-WAY LOCK NUT	1
12	R07885	1/2-13 UNC 2-WAY LOCK NUT	1
13	R21366	3/8" x 90° NPT STREET ELBOW	1
14	R08435	1/4 Quick Link	1

VERTICAL DEFLECTOR CYLINDER

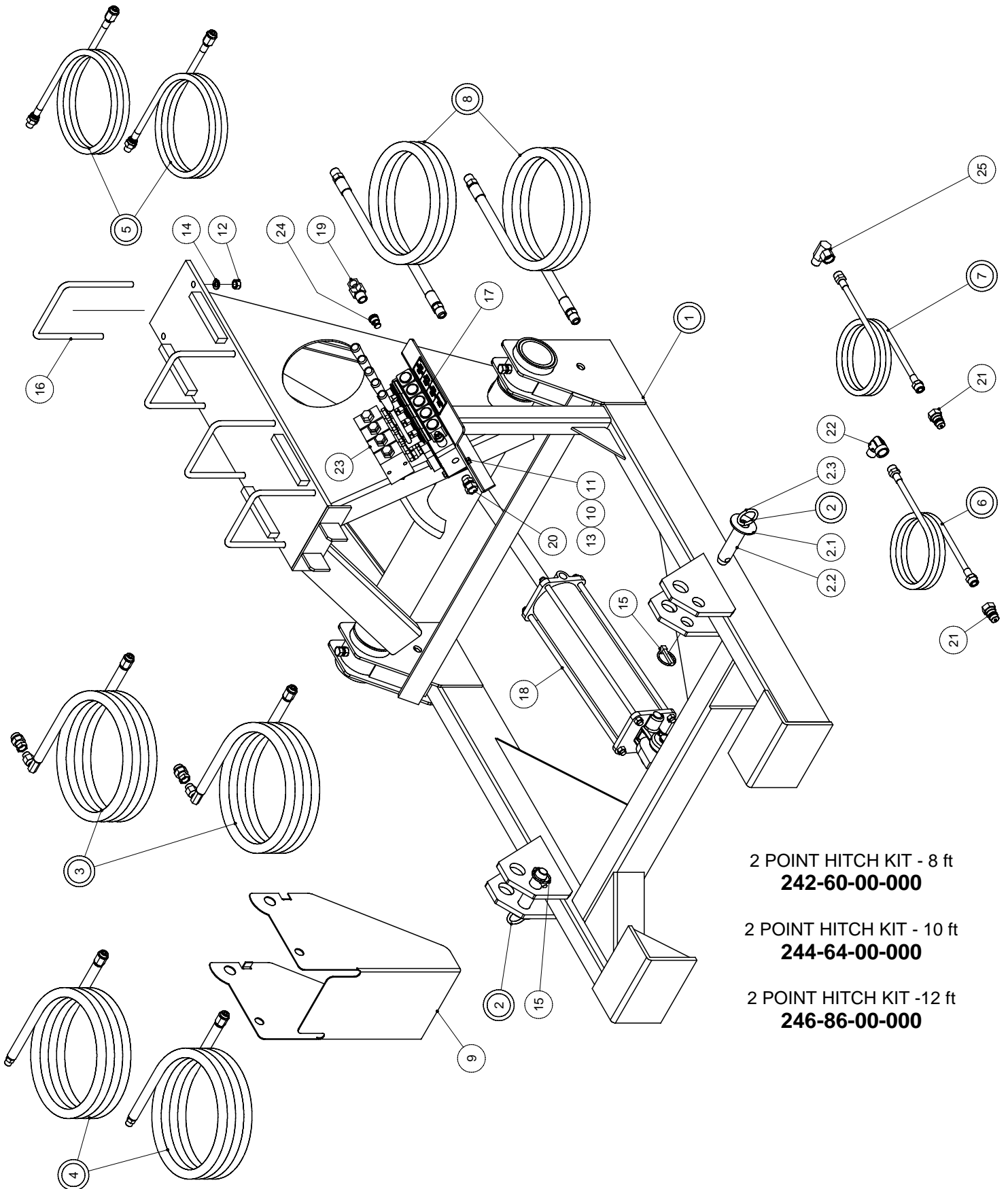


**1 1/2" HYDRAULIC CYLINDER
275-15-00-000**

SEAL REPLACMENT KIT - 340-47-00-000

PARTS LIST			
ITEM	PART NUMBER	DESCRIPTION	QTY
1	275-14-00-000	CYLINDER TUBE w/ LUG ASSY	1
1.1	250-70-28-155	CYLINDER TUBE	1
1.2	275-14-00-076	CYLINDER END CAP	1
2	275-15-00-122	HYDRAULIC CYLINDER SHAFT	1
3	340-36-00-435	CYLINDER PLUNGER	1
4	340-36-00-434	WIPER BLOCK	1
5	R20866	O-RING #11-218	3
6	R20867	BACKUP RING #8-218	2
7	R20865	O-RING #11-014	1
8	R07885	1/2 - 2 WAY LOCK NUT	1
9	R20771	O-RING #11-210	1
10	R20774	3/4" HYTREL ROD WIPER 52-750	1
11	R07967	1 1/2" 23000 x 150 INTERNAL SNAP RING	1
12	R21287	1/4M x 3/8 SWIVEL ADAPTER	1
13	R20862	3/4" BACKUP #210	1

2 PT HITCH KIT



2 POINT HITCH KIT - 8 ft
242-60-00-000

2 POINT HITCH KIT - 10 ft
244-64-00-000

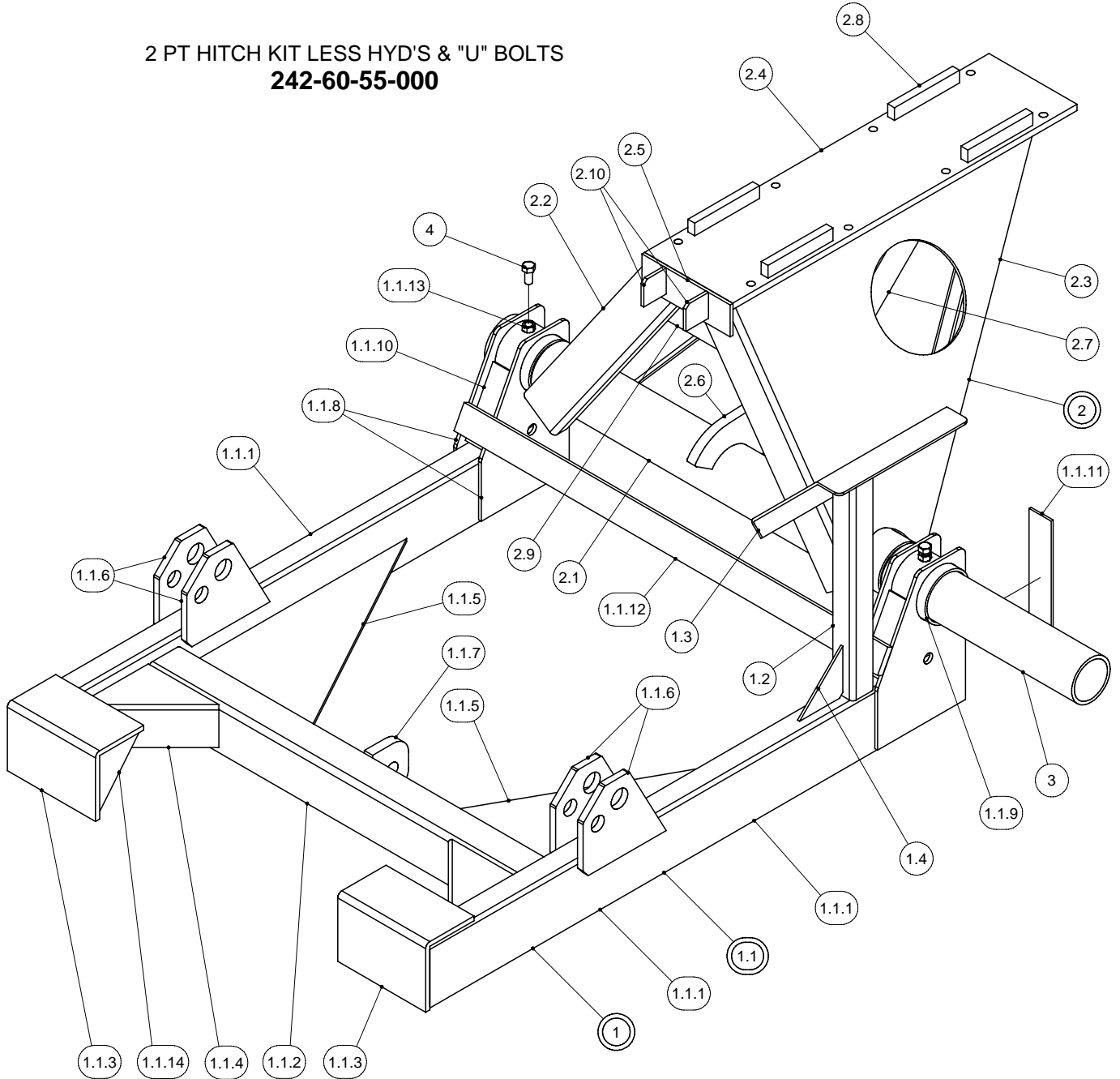
2 POINT HITCH KIT - 12 ft
246-86-00-000

2-PT HITCH KIT

PARTS LIST			
ITEM	PART NUMBER	DESCRIPTION	QTY
1	242-60-55-000	2PT HITCH LESS HYD'S AND "U" BOLTS	1
2	250-87-56-000	DRAW PIN ASSY	2
2.1	R07828	1" FLAT WASHER	1
2.2	250-87-56-264	DRAW PIN	1
2.3	250-00-00-354	1/4 X 1 1/2" RING	1
3	242-60-01-000	1/4" HYDRAULIC HOSE ASSY	2
4	242-60-02-000	HYD HOSE ASSY-CONTROL TO AXLE	2
5	244-77-00-000	1/4" HYDRAULIC HOSE ASSY	2
6	250-87-51-000	HYDRAULIC HOSE ASSY	1
7	250-87-52-000	HYDRAULIC HOSE ASSY	1
8	290-33-00-000	1/2" HYDRAULIC HOSE ASSY	2
9	242-60-00-271	2PT HITCH PTO GUARD	1
10	R07614	5/16" x 2 1/2 HEX BOLT	3
11	R07782	5/16 HEX NUT	3
12	R07785	1/2 HEX NUT	8
13	R07802	5/16 LOCK WASHER	3
14	R07805	1/2 LOCK WASHER	8
15	R08040	2 - 18 LYNCH PIN	2
16	R08173	"U" BOLT 1/2-13 UNC 6" ID X 7 1/4" LONG	4
17	R09673	HYDRAULIC CONTROL DECAL	1
18	R20724	4 x 14 HYDRAULIC CYLINDER	1
19	R20814	3/4 SAE x 1/2" NPT x 90° SW. ADAPTOR	1
20	R21276	3/4 SAE X 1/2" NPT ADAPTOR	1
21	R21342	1/2" MALE PIONEER TIP	2
22	R21367	1/2 X 90 HYD ELBOW	1
23	R22250	5 BANK MONOBLOCK VALVE	1
24	R22252	3/4 SAE ADAPTOR PLUG w/ O-RINGS-CLOSED CENTER	1
25	R21335	61UA08-08 90° RESTRICTOR	1

2 PT HITCH ASSY

2 PT HITCH KIT LESS HYD'S & "U" BOLTS
242-60-55-000



2 PT HITCH ASSY

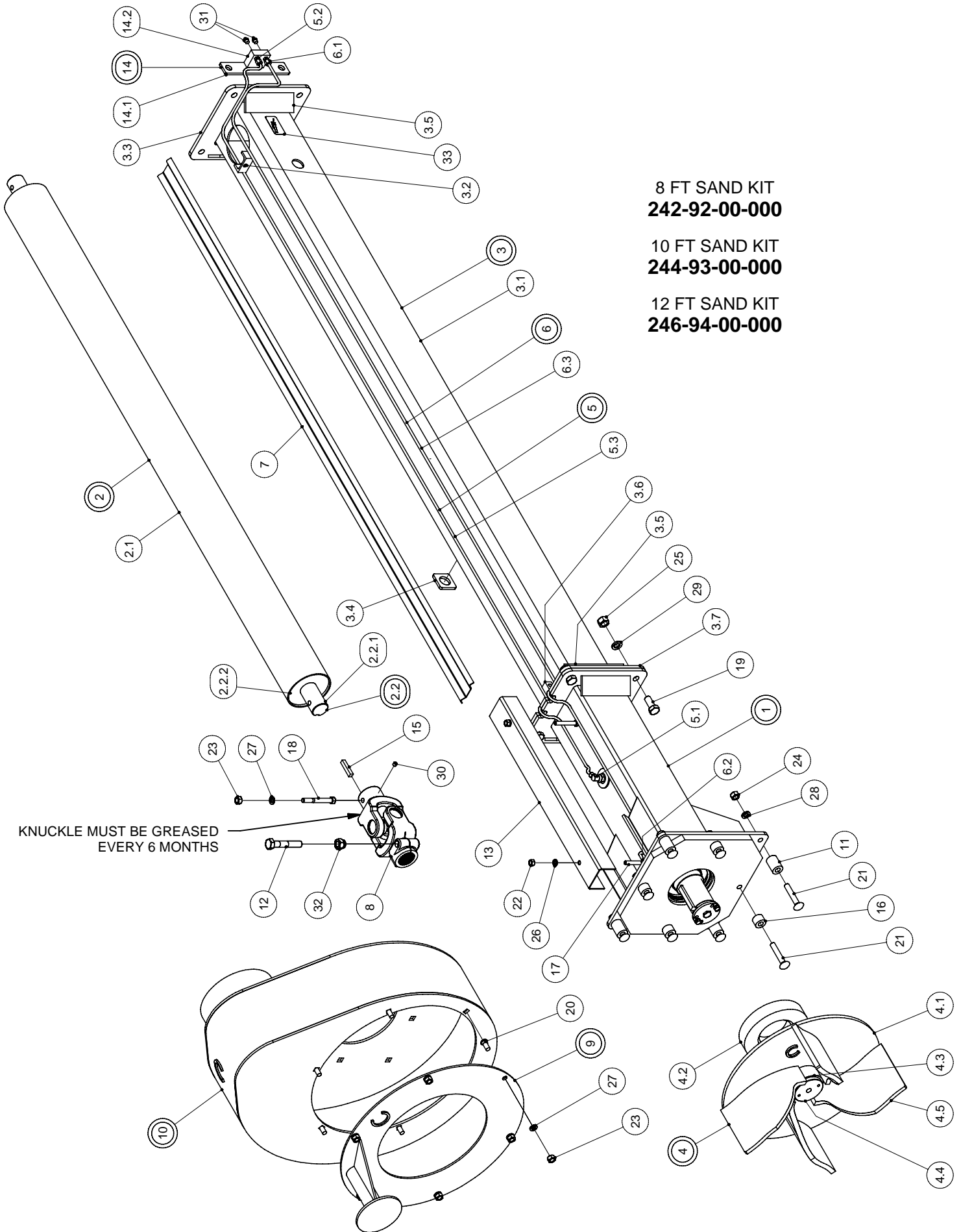
PARTS LIST			
ITEM	PART NUMBER	DESCRIPTION	QTY
1	242-60-41-000	2PT HITCH MAIN FRAME ASSY	1
1.1	250-87-44-000	2PT FRAME ASSY - LESS CTRL VALVE STAND	1
1.1.1	250-87-44-215	LIFT ARM	2
1.1.2	250-87-44-216	CROSS BRACE	1
1.1.3	250-87-44-217	END CAP	2
1.1.4	250-87-44-218	ANGLE GUSSET	2
1.1.5	250-87-44-219	CROSS BRACE GUSSET	2
1.1.6	250-87-44-220	LIFT BRACKETS	4
1.1.7	250-87-44-221	CYLINDER LUG	1
1.1.8	250-87-44-222	TILT FRAME BRACKET	4
1.1.9	250-87-44-223	FRONT FRAME BRACKET SLEEVE	2
1.1.10	250-87-44-224	FRONT FILLER PLATE	2
1.1.11	250-87-44-225	REAR FILLER PLATE	2
1.1.12	250-87-44-226	CROSS STRAP	1
1.1.13	R07785	1/2 HEX NUT	2
1.1.14	250-87-44-335	GUSSET	2
1.2	242-60-41-266	CONTROL VALVE STAND TUBE	1
1.3	242-18-15-104	CONTROL VALVE PLATE	1
1.4	242-60-41-267	GUSSET	1
2	242-60-35-000	TILT FRAME ASSY	1
2.1	250-87-45-230	SUPPORT ARM SLEEVE	1
2.2	242-60-35-248	RH SUPPORT ARM-2PT HITCH	1
2.3	242-60-35-247	LH SUPPORT ARM-2PT HITCH	1
2.4	242-60-35-252	TOP SUPPORT PLATE	1
2.5	242-60-35-251	GUSSET	1
2.6	250-87-45-231	CYLINDER AXLE BRACKET	1
2.7	242-60-35-249	REINFORCING BAR	2
2.8	242-60-35-302	STABILIZER BAR	4
2.9	242-60-35-250	TILT FRAME GUSSET	1
2.10	242-60-35-529	STOP BLOCK	2
3	250-87-00-227	INNER AXLE TUBE	1
4	R07637	1/2 x 1 HEX BOLT	2

H-5 SAND KIT

8 FT SAND KIT
242-92-00-000

10 FT SAND KIT
244-93-00-000

12 FT SAND KIT
246-94-00-000

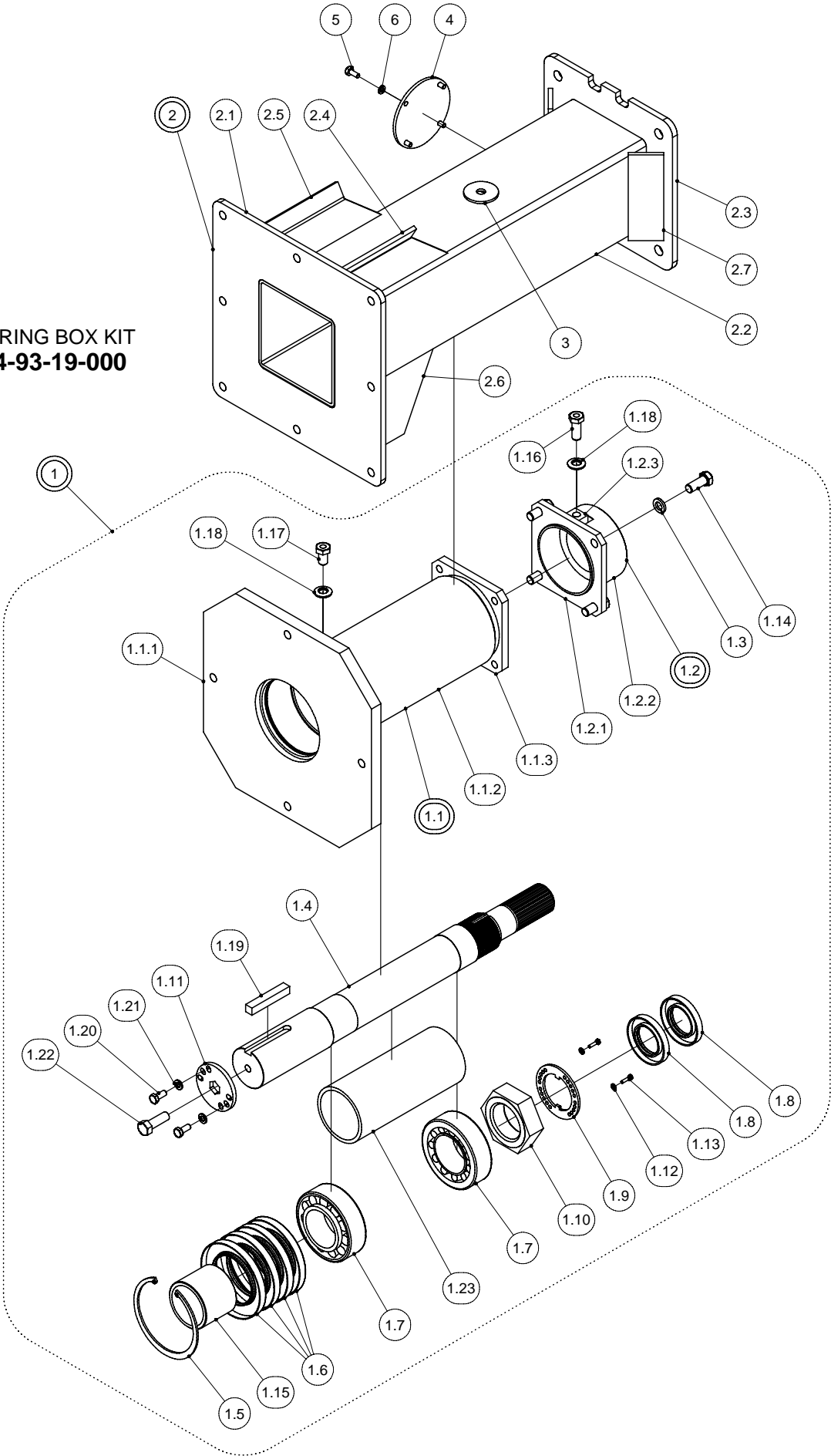


H-5 SAND KIT

PARTS LIST				PARTS LIST			
ITEM	PART NUMBER	DESCRIPTION	QTY	ITEM	PART NUMBER	DESCRIPTION	QTY
1	244-93-19-000	BRG BOX COMPLETE w/OUTER TUBE KIT	1	6	244-93-23-000	LONG GREASE LINE ASSY-12 FT PUMP	1
				6	244-93-21-000	LONG GREASE LINE ASSY-10 FT PUMP	1
2	244-93-14-000	12 FT DRIVE TUBE ASSY	1	6	244-93-08-000	LONG GREASE LINE ASSY-8 FT PUMP	1
2	244-93-13-000	10 FT DRIVE TUBE ASSY	1	6.1	R22286	1/8" X 1/4"LINE ADAPTOR	1
2	244-93-11-000	8 FT DRIVE TUBE ASSY	1	6.2	R10486	1/8"M X 1/4"LINE ADAPTOR- 90°	1
2.1	244-93-14-512	12 FT DRIVE TUBE	1	6.3	244-93-23-556	SHORT GREASE LINE-12 FT PUMP	1
2.1	244-93-13-511	10 FT DRIVE TUBE	1	6.3	244-93-21-551	SHORT GREASE LINE-10 FT PUMP	1
2.1	244-93-11-507	8 FT DRIVE TUBE	1	6.3	244-93-08-493	SHORT GREASE LINE-8 FT PUMP	1
2.2	244-93-12-000	EXTENSION SHAFT ASSY	2	7	244-93-00-574	GREASE LINE COVER-12FT PUMP	1
2.2.1	244-93-12-508	EXTENSION SHAFT	1	7	244-93-00-571	GREASE LINE COVER-10FT PUMP	1
2.2.2	244-93-12-509	SPACER RING	2	7	244-93-00-573	GREASE LINE COVER-8FT PUMP	1
3	244-93-18-000	12FT DRIVE SHAFT TUBE ASSY	1	8	242-54-00-000	KNUCKLE ASSY	1
3	244-93-17-000	10FT DRIVE SHAFT TUBE ASSY	1	9	244-33-00-000	CHT COVER PLATE ASSY	1
3	244-93-16-000	8FT DRIVE SHAFT TUBE ASSY	1	10	244-57-00-000	CHT HOUSING ASSY	1
3.1	244-93-18-516	12FT DRIVE SHAFT TUBE	1	11	244-93-00-471	LONG SPACER	4
3.1	244-93-17-515	10FT DRIVE SHAFT TUBE	1	12	244-93-00-494	LOWER KNUCKLE BOLT	1
3.1	244-93-16-514	8FT DRIVE SHAFT TUBE	1	13	244-93-00-568	LOWER GREASE LINE COVER	1
3.2	242-11-00-061	TIGHTENER BRACKET	1	14	244-93-06-000	GREASE LINE ADAPTOR ASSY	1
3.3	242-11-00-062	DRIVE SHAFT TUBE END PLATE	1	14.1	244-93-06-491	MOUNT PLATE	1
3.4	244-93-02-474	LOCKING PIN PLATE	1	14.2	244-93-06-490	BLOCK	1
3.5	242-11-00-064	TUBE GUSSET	4	15	270-00-00-075	3/8 KEY - 50mm LONG	1
3.6	244-93-16-521	CHAIN HOLD DOWN BRACKET	1	16	291-13-00-336	SHORT SPACER	4
3.7	244-93-15-570	DRIVE SHAFT TUBE END PLATE	1	17	R07622	3/8 x 2 1/2 UNC HEX BOLT	2
4	244-93-01-000	CHT IMPELLER ASSY	1	18	R07633	7/16 x 3 1/2 HEX BOLT	1
4.1	291-13-04-338	CHT IMPELLER BACK PLATE	1	19	R07646	5/8 x 1 1/2 UNC HEX BOLT	4
4.2	244-93-01-517	BACK PLATE BLOCK	1	20	R07731	7/16 x 1 CARRIAGE BOLT	6
4.3	244-93-01-524	IMPELLER HUB	1	21	R07746	1/2 x 3 UNC CARRIAGE BOLT	8
4.4	291-13-04-340	HUB CAP	1	22	R07783	3/8-16 UNC HEX NUT	2
4.5	244-34-00-359	CHT IMPELLER BLADE	4	23	R07784	7/16 HEX NUT	7
5	244-93-22-000	SHORT GREASE LINE ASSY-12FT PUMP	1	24	R07785	1/2-13 UNC HEX NUT	8
5	244-93-20-000	SHORT GREASE LINE ASSY-10FT PUMP	1	25	R07786	5/8-11 UNC HEX NUT	4
5	244-93-07-000	SHORT GREASE LINE ASSY-8FT PUMP	1	26	R07803	3/8" LOCK WASHER	2
5.1	R10486	1/8"M X 1/4"LINE ADAPTOR- 90°	1	27	R07804	7/16 LOCK WASHER	7
5.2	R22286	1/8" X 1/4"LINE ADAPTOR	1	28	R07805	1/2" LOCK WASHER	8
5.3	244-93-22-555	SHORT GREASE LINE-12 FT PUMP	1	29	R07806	5/8" LOCK WASHER	4
5.3	244-93-20-553	SHORT GREASE LINE-10 FT PUMP	1	30	R07909	3/8 x 3/8 SET SCREW	1
5.3	244-93-07-492	SHORT GREASE LINE-8 FT PUMP	1	31	R08186	1/8" NPT GREASE FTG	2
				32	R08266	M16-2 NYLON INSERT LOCK NUT	1
				33	R09661	GREASE DAILY 10 PUMPS - DECAL	1

BEARING BOX KIT

BEARING BOX KIT
244-93-19-000

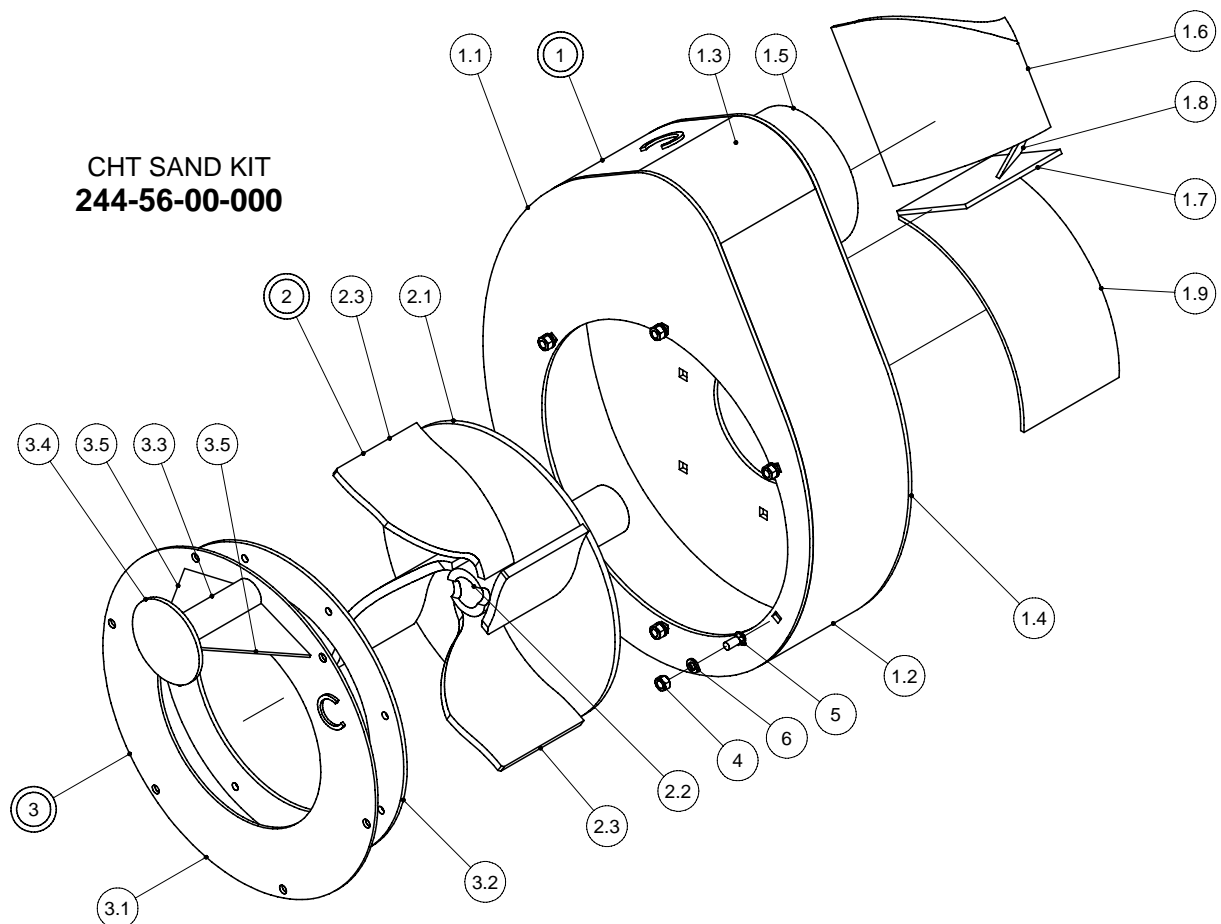


BEARING BOX KIT

PARTS LIST			
ITEM	PART NUMBER	DESCRIPTION	QTY
1	244-93-05-000	SHAFT,BRGS,SEALS & TUBE ASSY	1
1.1	244-93-03-000	INNER BEARING TUBE ASSY	1
1.1.1	244-93-03-475	LOWER TUBE FLANGE	1
1.1.2	244-93-03-476	INNER BRG TUBE	1
1.1.3	244-93-03-477	INNER BEARING TUBE FLANGE	1
1.2	244-93-04-000	SEAL HOLDER ASSY	1
1.2.1	244-93-04-478	SEAL HOLDER FLANGE	1
1.2.2	244-93-04-479	SEAL HOLDER TUBE	1
1.2.3	244-93-04-562	THREADED LUG	1
1.3	R07805	1/2 LOCK WASHER	4
1.4	244-93-00-480	IMPELLER SHAFT	1
1.5	R08347	SPRING RETAINING RING	1
1.6	R22304	75 X 120 X 12 SINGLE LIP SEAL	4
1.7	R20593	TAPER ROLLER BEARING	2
1.8	R22525	45 x 75 x 10 METRIC SEAL	2
1.9	291-13-00-334	LOCK COLLAR	1
1.10	291-13-00-333	JAM NUT	1
1.11	244-93-00-499	IMPELLER BOLT LOCK PLATE	1
1.12	R08353	#10 LOCK WASHER	2
1.13	R08352	#10 X 3/4" HEX CAP SCREW	2
1.14	R07861	1/2 X 1 1/4" -20 UNF HEX BOLT	4
1.15	R22448	S.S.HARDENED SEAL COLLAR	1
1.16	244-93-00-482	LONG GREASE BOLT	1
1.17	244-93-00-483	SHORT GREASE BOLT	1
1.18	R07843	1/2" SEALING WASHER	2
1.19	244-93-00-518	1/2 X 3" KEY	1
1.20	R08224	5/16 x 3/4 SS UNC HEX BOLT	2
1.21	R08250	5/16" SS LOCK WASHER	2
1.22	R08437	1/2 x 1 1/2 HEX BOLT-GR L9	1
1.23	244-93-05-563	FILLER PIPE	1
2	244-93-15-000	OUTER BEARING BOX ASSY	1
2.1	242-82-00-204	LOWER SHAFT TUBE FLANGE	1
2.2	244-93-15-513	OUTER BRG BOX	1
2.3	244-93-15-570	DRIVE SHAFT TUBE END PLATE	1
2.4	242-82-00-415	RH GUSSET STOP PLATE	1
2.5	242-11-00-057	LH GUSSET STOP PLATE	1
2.6	242-11-00-058	SHAFT TUBE GUSSET	2
2.7	242-11-00-064	TUBE GUSSET	2
3	244-93-00-519	WASHER	2
4	244-93-00-523	COVER PLATE	1
5	R08233	1/4 x 5/8 SS HEX CAP SCREW	4
6	R08234	1/4 S.S. LOCK WASHER	4

CHT SAND KIT

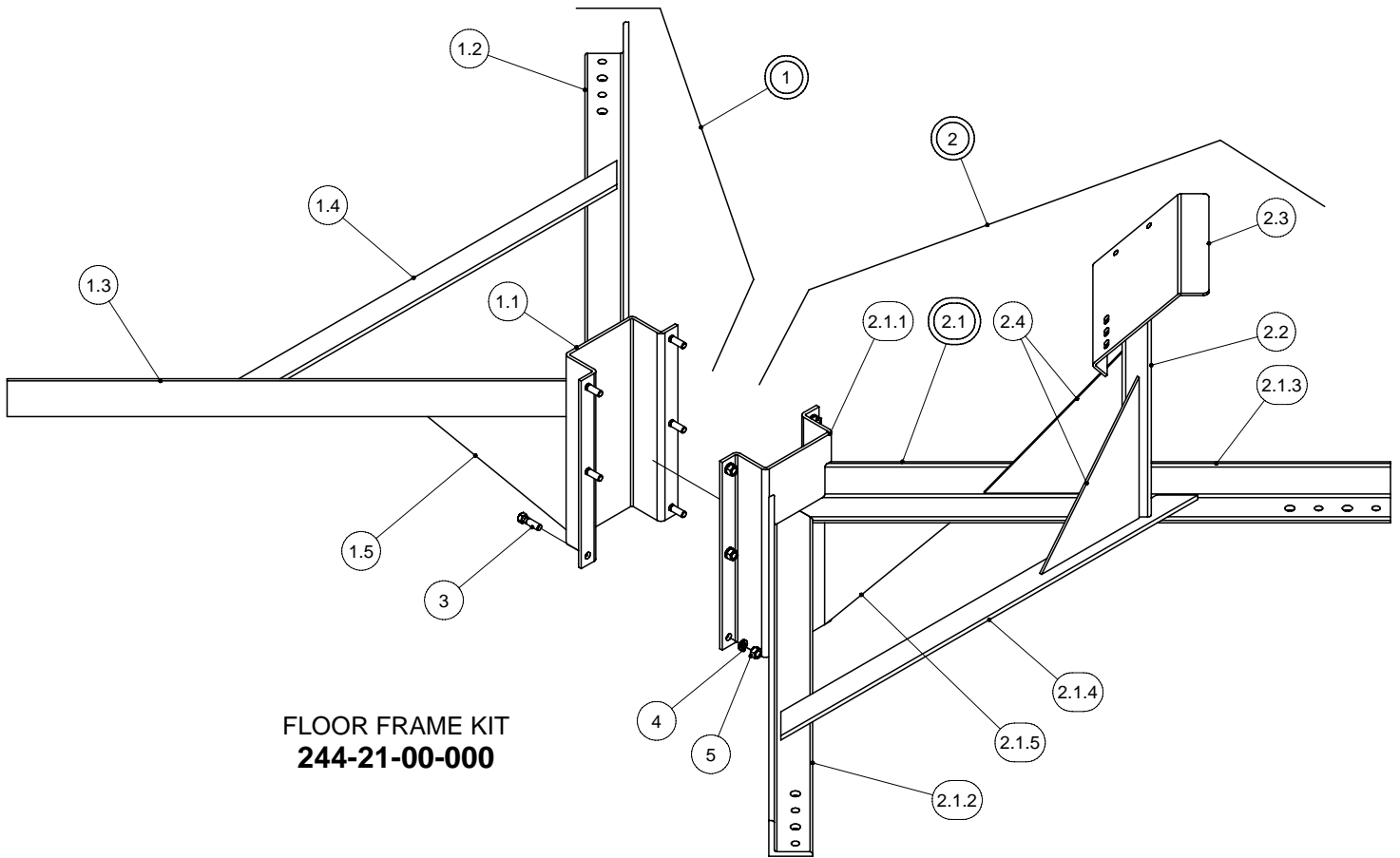
**CHT SAND KIT
244-56-00-000**



PARTS LIST

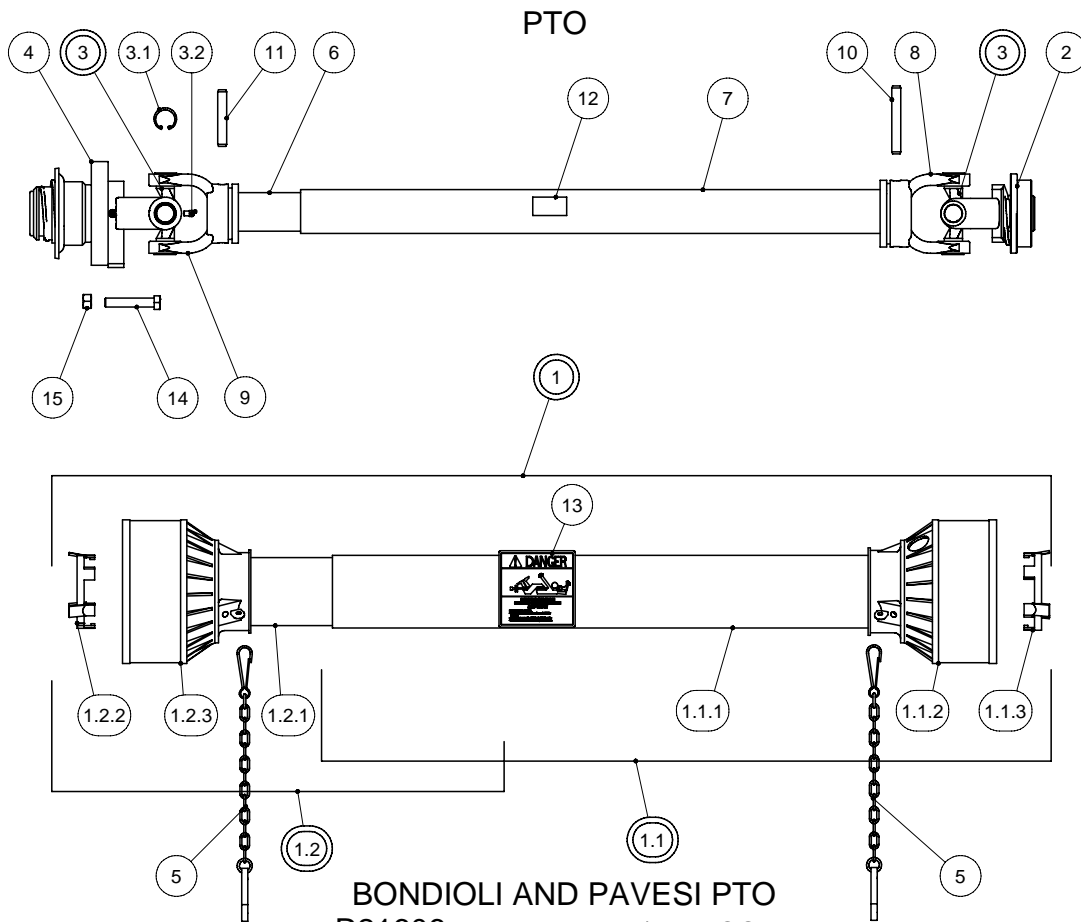
ITEM	PART NUMBER	DESCRIPTION	QTY
1	244-57-00-000	CHT HOUSING ASSY	1
1.1	244-57-00-402	CHT LOWER HOUSING PLATE	1
1.2	244-57-00-404	CHT BAND	1
1.3	244-57-00-408	CHT HOUSING BAND CAP	1
1.4	244-57-00-403	CHT HOUSING UPPER PLATE	1
1.5	244-39-00-375	DISCHARGE TUBE	1
1.6	244-57-00-405	CHT BOOT END PLATE	1
1.7	244-57-00-406	CHT SIDE PLATE	1
1.8	244-57-00-407	CHT GUSSET	1
1.9	244-39-00-385	INNER HOUSING BAND	1
2	244-34-00-000	IMPELLER ASSY	1
2.1	244-34-00-358	CHT IMPELLER BACK PLATE	1
2.2	244-18-00-331	IMPELLER SLEEVE	1
2.3	244-34-00-359	CHT IMPELLER BLADE	4
3	244-33-00-000	CHT COVER PLATE ASSY	1
3.1	244-33-00-356	CHT COVER PLATE	1
3.2	244-33-00-357	CHT COVER PLATE SUPPORT	1
3.3	250-04-03-013	FOOT PLATE	1
3.4	250-04-03-012	FOOT END	1
3.5	250-04-00-173	FOOT GUSSET	2
4	R07784	7/16 HEX NUT	6
5	R07731	7/16 x 1 CARRIAGE BOLT	6
6	R07804	7/16 LOCK WASHER	6

FLOOR FRAME KIT



**FLOOR FRAME KIT
244-21-00-000**

PARTS LIST			
ITEM	PART NUMBER	DESCRIPTION	QTY
1	244-21-01-000	FLOOR FRAME ASSY	1
1.1	244-21-01-419	SHAFT TUBE CLAMP BRKT	1
1.2	244-21-01-417	RH FLOOR FRAME ANGLE	1
1.3	244-21-01-418	LH FLOOR FRAME ANGLE	1
1.4	250-91-55-262	FLOOR BRACKET BRACE	1
1.5	244-21-01-420	GUSSET	2
2	244-21-02-000	FLOOR FRAME W/CONTROL STAND ASSY	1
2.1	244-21-01-000	FLOOR FRAME ASSY	1
2.1.1	244-21-01-419	SHAFT TUBE CLAMP BRKT	1
2.1.2	244-21-01-417	RH FLOOR FRAME ANGLE	1
2.1.3	244-21-01-418	LH FLOOR FRAME ANGLE	1
2.1.4	250-91-55-262	FLOOR BRACKET BRACE	1
2.1.5	244-21-01-420	GUSSET	2
2.2	242-18-15-103	CONTROL VALVE STAND TUBE	1
2.3	242-18-15-104	CONTROL VALVE PLATE	1
2.4	242-18-15-106	STANDTUBE GUSSET	2
3	R07629	7/16 x 1 1/2 HEX BOLT	6
4	R07804	7/16 LOCK WASHER	6
5	R07784	7/16 HEX NUT	6



BONDIOLI AND PAVESI PTO
R21606 - 540 RPM - 1 3/8" 6 TOOTH
R21607 - 1000 RPM - 1 3/8" 21 TOOTH
R21649 - 1000 RPM - 1 3/4" 20 TOOTH

PARTS LIST					
ITEM	MFG NUMBER	PART NUMBER	DESCRIPTION	QTY	
1	5F08101FFFX	R21629	SAFETY GUARD COMPLETE	1	
1.1	5FE8101FFFX	R21627	HALF SAFETY GUARD - OUTER	1	
1.1.1	236850732	R21618	CM SAFETY TUBE	1	
1.1.2	517080130	R21610	OUTER CONE SETS N8-9	1	
1.1.3	255080005R02	R21609	I. BEARING 3-4	1	
1.2	5F18101FFFX	R21628	HALF SAFETY GUARD - INNER	1	
1.2.1	236840732	R21617	CM SAFETY TUBE	1	
1.2.2	255080006R02	R21608	SHIELD SUPPORT8-9-0	1	
1.2.3	517080120	R21611	INNER CONE SETS N8-9	1	
2	5720M0376	R22330	1 3/8 - 6 TOOTH QD YOKE w/ SLEEVES 540 RPM	1	
2	572S93752	R22332	1 3/8 - 21 TOOTH QD YOKE w/SLEEVES 1000 RPM	1	
2		R22333	1 3/4 - 20 TOOTH QD YOKE w/SLEEVES 1000 RPM	1	
3	41208	R21614	CROSS JOURNAL ASSY	2	
3.1	338023000	R21621	CIRCLIP	8	
3.2	348004000	R21655	GREASE NIPPLE 45 DEG	2	
4	6060M3901R	R22331	1 3/4" - 27 TOOTH TORQUE LIMITER w/ SLIDE COLLAR	1	
5	252000005	R21738	SHIELD TIE CHAIN	2	
6	225690803	R21615	CARDAN TUBE - INNER	1	
7	225730803	R21616	CARDAN TUBE - OUTER	1	
8	204086860	R21620	OUTER TUBE YOKE	1	
9	204086861	R21619	INNER TUBE YOKE	1	
10	341054000	R21613	FLEXIBLE PIN	1	
11	341055000R10	R21612	FLEXIBLE PIN	1	
12	383334	R21523	"SHIELD MISSING" DECAL	1	
13	383333	R21521	"ROTATING DRIVE LINE" DECAL	1	
14		R21602	M12 - 1.75 x 65 HEX BOLT	1	
15		R21604	M12 - 1.75 LOCK NUT	1	