

Date Purchased _____ Machine Serial No. _____

Size of Pump _____ Options _____

The key number system in this parts book is arranged as follows:

- ⊙ - Key numbers with two circles denotes main assemblies.
- - Key numbers with one circle are individual parts

Please order parts by number



H-5000

H-5000 VERTICAL PIT PUMP – 8ft ▪ 242-00-00-000

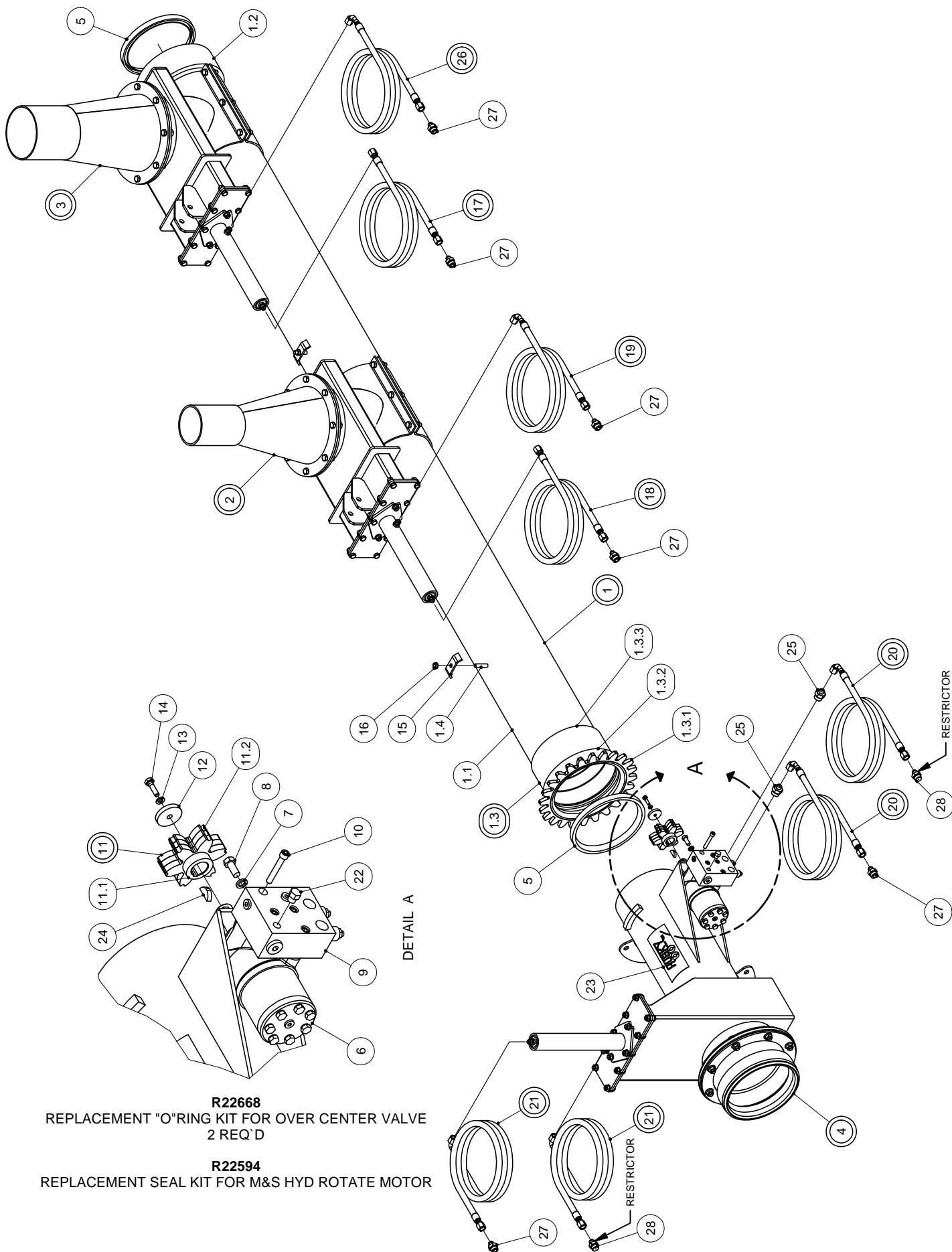
H-5000 VERTICAL PIT PUMP – 10ft ▪ 244-00-00-000

H-5000 VERTICAL PIT PUMP – 12ft ▪ 246-00-00-000

OPERATING INSTRUCTIONS:

1. Read operators manual and always follow the safety instructions. Never attempt any repairs while machine is operating or while installed in pit.
2. Do not leave pump in manure pit – remove pump from pit – wash off and coat with old oil or diesel fuel.
3. Do not over rev. tractor while pumping as discharge spout will lift into air. Always tie down spout.
4. The (Polyurethane) marine bearing at the bottom of the pump is lubricated with manure or water. If the level of the liquid is below the bearing and you are running for long periods put a water hose in the top of the standpipe.
5. Always fill all hydraulic motors and cylinders with oil before installing in pit.
6. Every 6 months drive shaft knuckle must be greased. Grease wooden bearings daily.
7. **EXTREME DANGER** – Never enter a dirty manure spreader or storage tank – one breath of hydrogen sulphide gas is enough to kill. Have a ladder in your pit, so that if by accident you should fall in, you can get out.
8. For open centre hydraulic tractors, use short plug on right hand end of hydraulic valve. For closed centre hydraulics use long plug with O ring. (Oil must flow in left hand end of valve).

H-5000 STANDPIPE



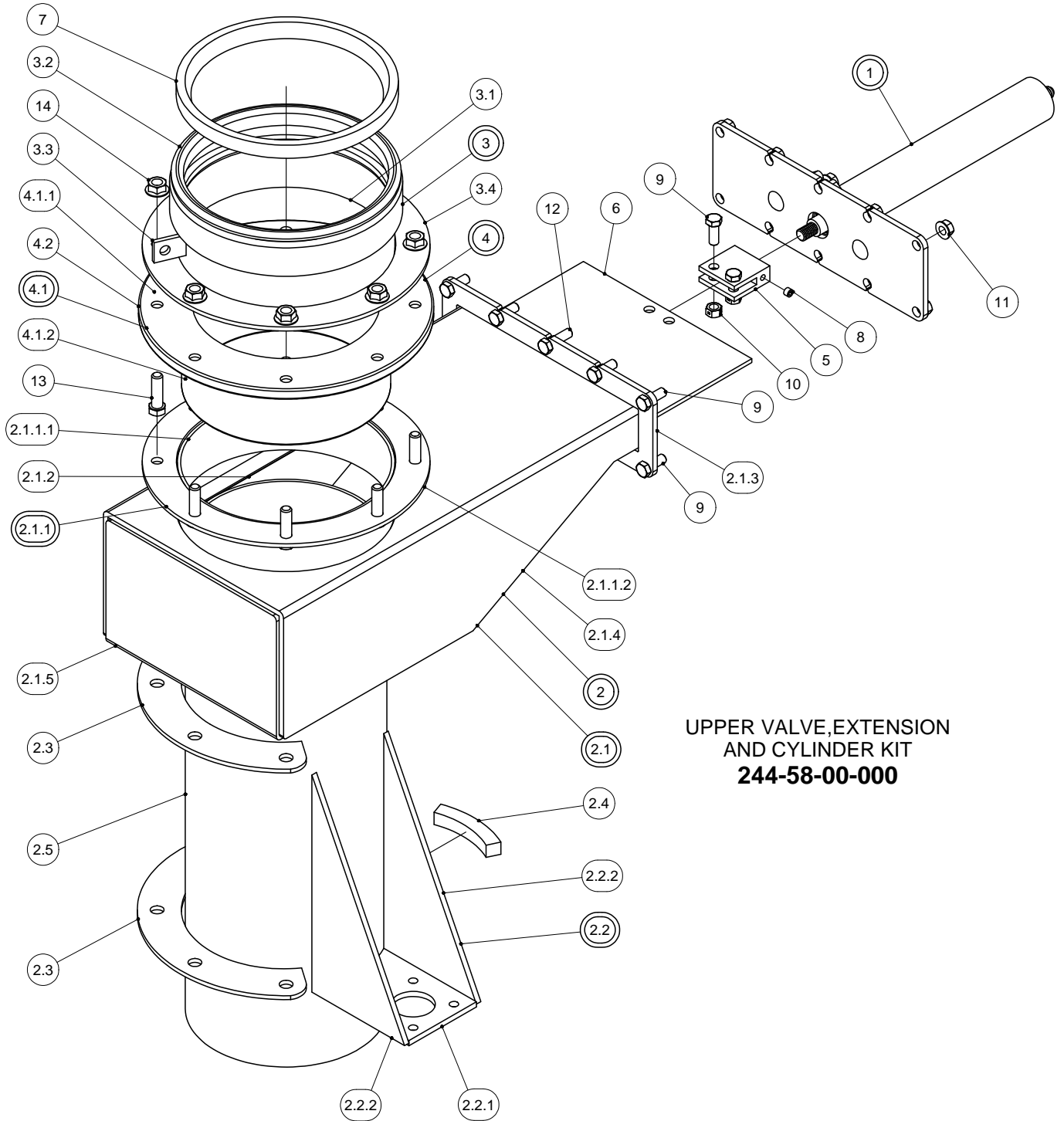
R22668
 REPLACEMENT "O"RING KIT FOR OVER CENTER VALVE
 2 REQ'D

R22594
 REPLACEMENT SEAL KIT FOR M&S HYD ROTATE MOTOR

H-5000 STANDPIPE

PARTS LIST			
ITEM	PART NUMBER	DESCRIPTION	QTY
1	242-43-00-000	STANDPIPE ASSY-8FT MODEL	1
	244-40-00-000	STANDPIPE ASSY-10FT MODEL	1
	246-41-00-000	STANDPIPE ASSY-12FT MODEL	1
	246-96-00-000	STANDPIPE ASSY-14FT MODEL	1
1.1	242-43-00-369	STANDPIPE-8FT MODEL	1
	244-40-00-371	STANDPIPE-10FT MODEL	1
	246-41-00-372	STANDPIPE-12FT MODEL	1
	246-96-00-551	STANDPIPE-14FT MODEL	1
1.2	242-43-00-370	LOWER GASKET SLEEVE	1
1.3	244-30-01-000	LOWER EXTENSION PIPE ASSY	1
1.3.1	244-30-01-347	LARGE TURN SPROCKET	1
1.3.2	242-09-09-049	COUPLING BASE	1
1.3.3	242-09-09-048	EXTENSION PIPE	1
1.4	R08302	3/8-16 UNC x 1 5/8" WELD STUD	2
2	244-15-00-000	UPPER VALVE AND CONE COMPLETE	1
3	244-16-00-000	LOWER VALVE AND CONE COMPLETE	1
4	244-58-00-000	UPPER VALVE,EXT AND CYLINDER KIT	1
5	R02360	8" SQ HUSKY GASKET	2
6	R22255	M&S HYDRAULIC MOTOR	1
7	R07803	3/8 LOCK WASHER	4
8	R07670	3/8 x 7/8 HEX BOLT	4
9	R22256	OVER CENTER VALVE - M&S MOTOR	1
10	R08334	5/16-18 x 2 SOCKET HD CAP SCREW	4
11	290-25-00-000	6 TOOTH SPROCKET ASSY	1
11.1	290-25-00-097	SPROCKET SLEEVE	1
11.2	290-25-00-096	6 TOOTH SPROCKET	3
12	290-00-00-098	SLEEVE CAP	1
13	R07801	1/4 LOCK WASHER	1
14	R07601	1/4 x 1 HEX BOLT	1
15	290-00-00-167	HYDRAULIC HOSE CLIP	2
16	R07794	3/8 FLANGE NUT	2
17	244-77-00-000	HYD HOSE ASSY-CONTROL TO LOWER AGITATOR-8FT	1
	244-78-00-000	HYD HOSE ASSY-CONTROL TO LOWER AGITATOR-10FT	1
	244-79-00-000	HYD HOSE ASSY-CONTROL TO LOWER AGITATOR-12FT	1
18	244-76-00-000	HYD HOSE ASSY-CONTROL TO TOP AGITATOR-ALL SIZES	1
19	244-55-00-000	HYD HOSE ASSY-CONTROL TO TOP AGITATOR-ALL SIZES	1
20	244-70-00-000	HYD HOSE ASSY-CONTROL TO ROTATE-8FT	2
	244-71-00-000	HYD HOSE ASSY-CONTROL TO ROTATE-10FT	2
	244-72-00-000	HYD HOSE ASSY-CONTROL TO ROTATE-12FT	2
21	244-68-00-000	HYD HOSE ASSY-CONTROL TO SHUTOFF-8FT	2
	244-75-00-000	HYD HOSE ASSY-CONTROL TO SHUTOFF-10FT	2
	244-78-00-000	HYD HOSE ASSY-CONTROL TO SHUTOFF-12FT	2
22	R22258	7/16-20 SAE PLUG	1
23	R09671	"HUSKY" DECAL	1
24	R08161	1/4" x 1" WOODRUFF KEY	1
25	R23094	ORB-10 x 3/8" JIC M ADAPTOR	2
26	242-46-00-000	HYD HOSE ASSY-CONTROL TO LOWER AGITATOR-8FT	1
	244-47-00-000	HYD HOSE ASSY-CONTROL TO LOWER AGITATOR-10FT	1
	246-56-00-000	HYD HOSE ASSY-CONTROL TO LOWER AGITATOR-12FT	1
27	R23091	ORB-8 X 3/8" JIC M ADAPTOR	6
28	R23191	3/8" JIC M x ORB-8 M RESTRICTOR	2

UPPER VALVE EXTENSION AND CYLINDER KIT

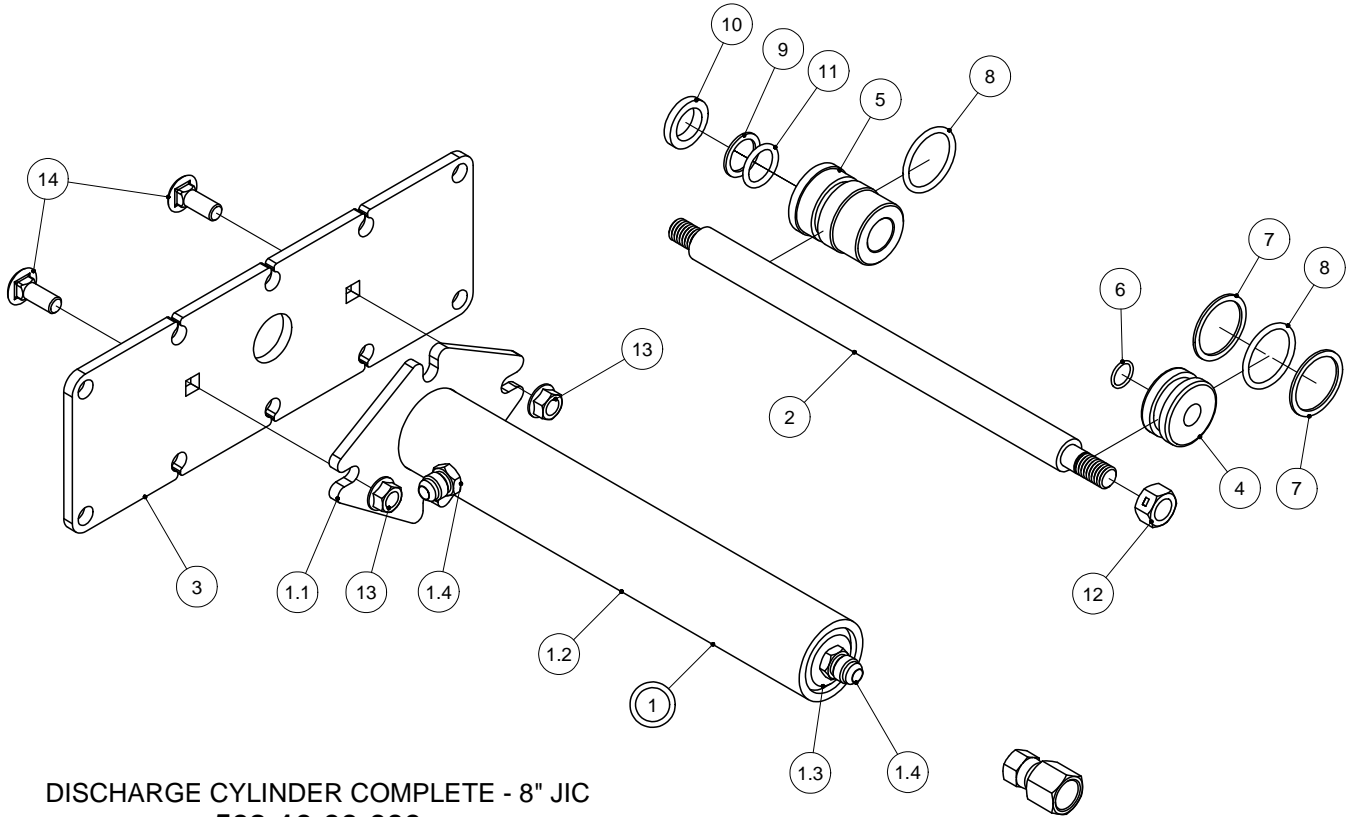


UPPER VALVE, EXTENSION
AND CYLINDER KIT
244-58-00-000

UPPER VALVE, EXTENSION AND CYLINDER KIT

PARTS LIST			
ITEM	PART NUMBER	DESCRIPTION	QTY
1	508-10-00-000	DISCHARGE CYL COMPLETE - 8" JIC	1
2	244-58-02-000	UPPER VALVE AND STANDPIPE ASSY	1
2.1	244-58-08-000	UPPER VALVE BODY ASSY	1
2.1.1	244-58-03-000	OUTER EXTENSION PIPE ASSY	1
2.1.1.1	244-58-03-389	OUTER EXTENSION PIPE	1
2.1.1.2	244-58-03-388	OUTER EXTENSION FLANGE	1
2.1.2	244-38-02-382	GUIDE BAR	2
2.1.3	244-38-02-368	FLANGE	1
2.1.4	244-38-02-366	VALVE TOP PLATE	1
2.1.5	244-38-02-367	VALVE LOWER PLATE	1
2.2	244-29-01-000	HYDRAULIC MOTOR MOUNT ASSY	1
2.2.1	244-29-01-362	HYDRAULIC MOTOR MOUNT	1
2.2.2	244-29-01-363	MOTOR MOUNT SIDES	2
2.3	242-10-10-053	STANDPIPE HOLD DOWN BRKT	2
2.4	244-38-00-387	STOP RING	1
2.5	244-58-07-396	FIXED STANDPIPE	1
3	244-58-06-000	FLANGED EXTENSION PIPE ASSY	1
3.1	244-58-06-395	EXTENSION PIPE	1
3.2	244-07-01-306	COUPLING BASE	1
3.3	250-96-00-298	CHAIN LUG	1
3.4	244-58-03-388	OUTER EXTENSION FLANGE	1
4	244-58-05-000	INNER SEALING TUBE w/ URETHANE ASSY	1
4.1	244-58-04-000	INNER SEALING WELDED ASSY	1
4.1.1	244-58-04-390	INNER SEALING TUBE FLANGE	1
4.1.2	244-58-04-391	INNER SEALING TUBE	1
4.2	R20217	URETHANE ONLY - H5000 VALVE	1
5	244-58-00-393	YOKE	1
6	244-58-00-392	VALVE GATE	1
7	R02360	8" SQ HUSKY GASKET	1
8	R07926	5/16-18 x 1/4" SET SCREW	1
9	R07619	3/8 x 1 UNC HEX BOLT	10
10	R07886	3/8-16 UNC 2-WAY LOCK NUT	2
11	R07794	3/8-16 UNC FLANGE NUT	10
12	R07675	3/8 x 1 1/4 UNC HEX BOLT	2
13	R07629	7/16 x 1 1/2 UNC HEX BOLT	8
14	R07879	7/16-14 UNC FLANGE NUT	8

DISCHARGE CYLINDER COMPLETE - 8" JIC



DISCHARGE CYLINDER COMPLETE - 8" JIC
508-10-00-000

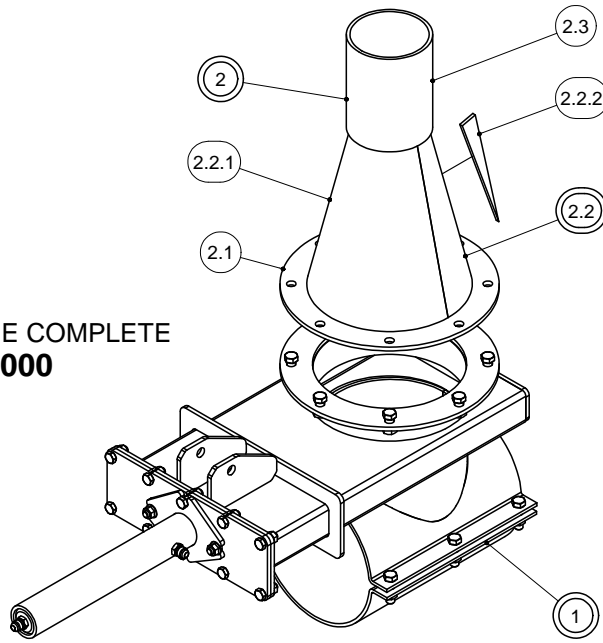
SEAL REPLACEMENT KIT - **508-12-00-000**

R23215
 3/8" JIC F x 3/8" NPT SW ADAPTER
 MUST BE USED WHEN REPLACING
 CYLINDER ON ANY MACHINE PRIOR
 TO 2011 - 2 pcs REQ'D

PARTS LIST			
ITEM	PART NUMBER	DESCRIPTION	QTY
1	508-09-01-000	1 1/2" x 8" CYL TUBE ASSY - JIC	1
1.1	244-26-01-344	CYLINDER TUBE FLANGE	1
1.2	508-09-01-040	1 1/2" x 8" CYL TUBE - JIC	1
1.3	508-09-01-041	CYL END CAP - JIC	1
1.4	R23151	3/8" M. JIC WELD FITTING	2
2	244-58-01-394	CYLINDER SHAFT	1
3	244-26-00-345	FLANGE	1
4	340-36-00-435	CYLINDER PLUNGER	1
5	508-09-00-039	WIPER BLOCK - JIC	1
6	R20865	O-RING #11-014	1
7	R20867	BACKUP RING #8-218	2
8	R20866	O-RING #11-218	2
9	R20862	3/4" BACKUP #210	1
10	R20774	3/4" HYTREL ROD WIPER 52-750	1
11	R20771	O-RING #11-210	1
12	R07885	1/2-13 UNC 2-WAY LOCK NUT	1
13	R07794	3/8-16 UNC FLANGE NUT	2
14	R07721	3/8 x 1 UNC CARRIAGE BOLT	2

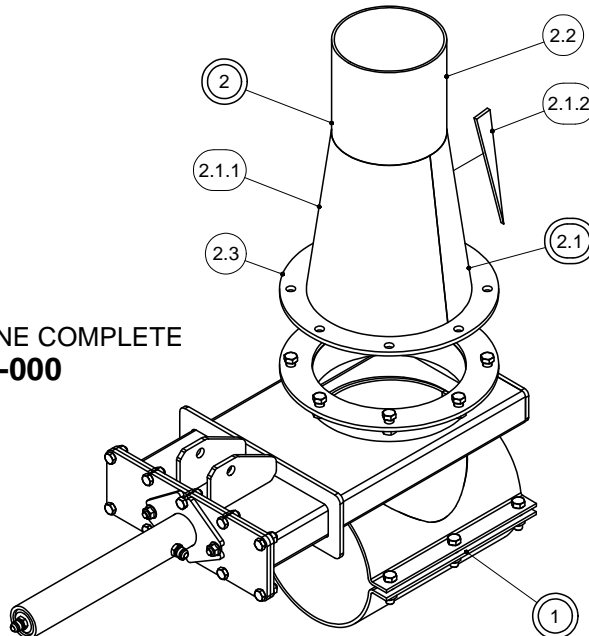
UPPER & LOWER VALVE & CONE COMPLETE

UPPER VALVE & CONE COMPLETE 244-15-00-000



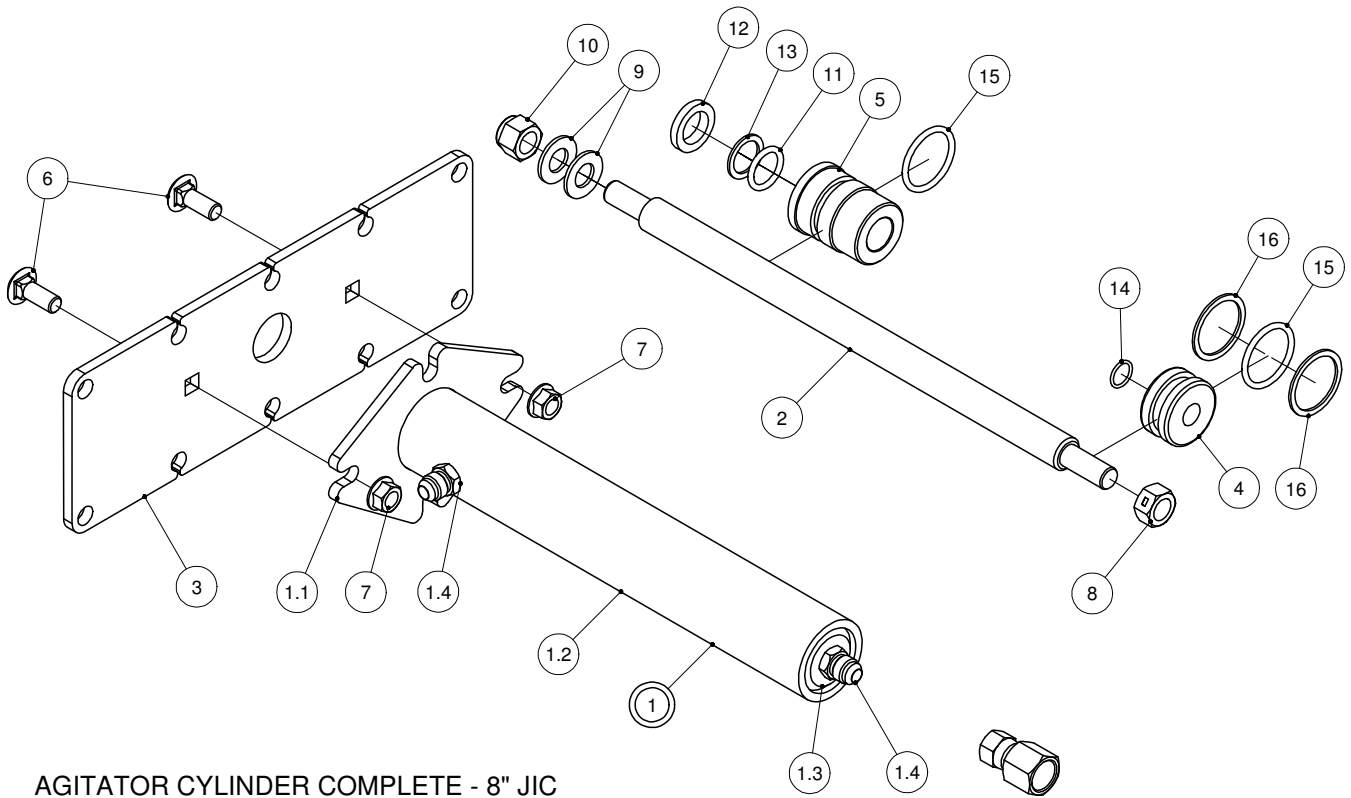
PARTS LIST				PARTS LIST			
ITEM	PART NUMBER	DESCRIPTION	QTY	ITEM	PART NUMBER	DESCRIPTION	QTY
1	244-15-01-000	AGITATOR VALVE & CYLINDER KIT	1	2.2.1	242-20-29-244	UPPER DISCHARGE CONE	2
2	242-20-53-000	UPPER CONE AND FLANGE ASSY	1	2.2.2	242-07-00-046	CONE RIBS	4
2.1	242-58-48-285	DEFLECTOR FLANGE	1	2.3	242-20-53-397	UPPER CONE EXTENSION PIPE	1
2.2	242-20-29-000	UPPER CONE ASSY	1				

LOWER VALVE & CONE COMPLETE 244-16-00-000



PARTS LIST				PARTS LIST			
ITEM	PART NUMBER	DESCRIPTION	QTY	ITEM	PART NUMBER	DESCRIPTION	QTY
1	244-15-01-000	AGITATOR VALVE & CYLINDER KIT	1	2.1.2	242-07-00-046	CONE RIBS	4
2	244-16-03-000	LOWER CONE AND FLANGE ASSY	1	2.2	242-93-40-398	LOWER CONE EXTENSION	1
2.1	242-93-23-000	LOWER CONE ASSY	1	2.3	242-58-48-285	DEFLECTOR FLANGE	1
2.1.1	242-93-23-226	DISCHARGE CONE	2				

AGITATOR CYLINDER COMPLETE - 8" JIC



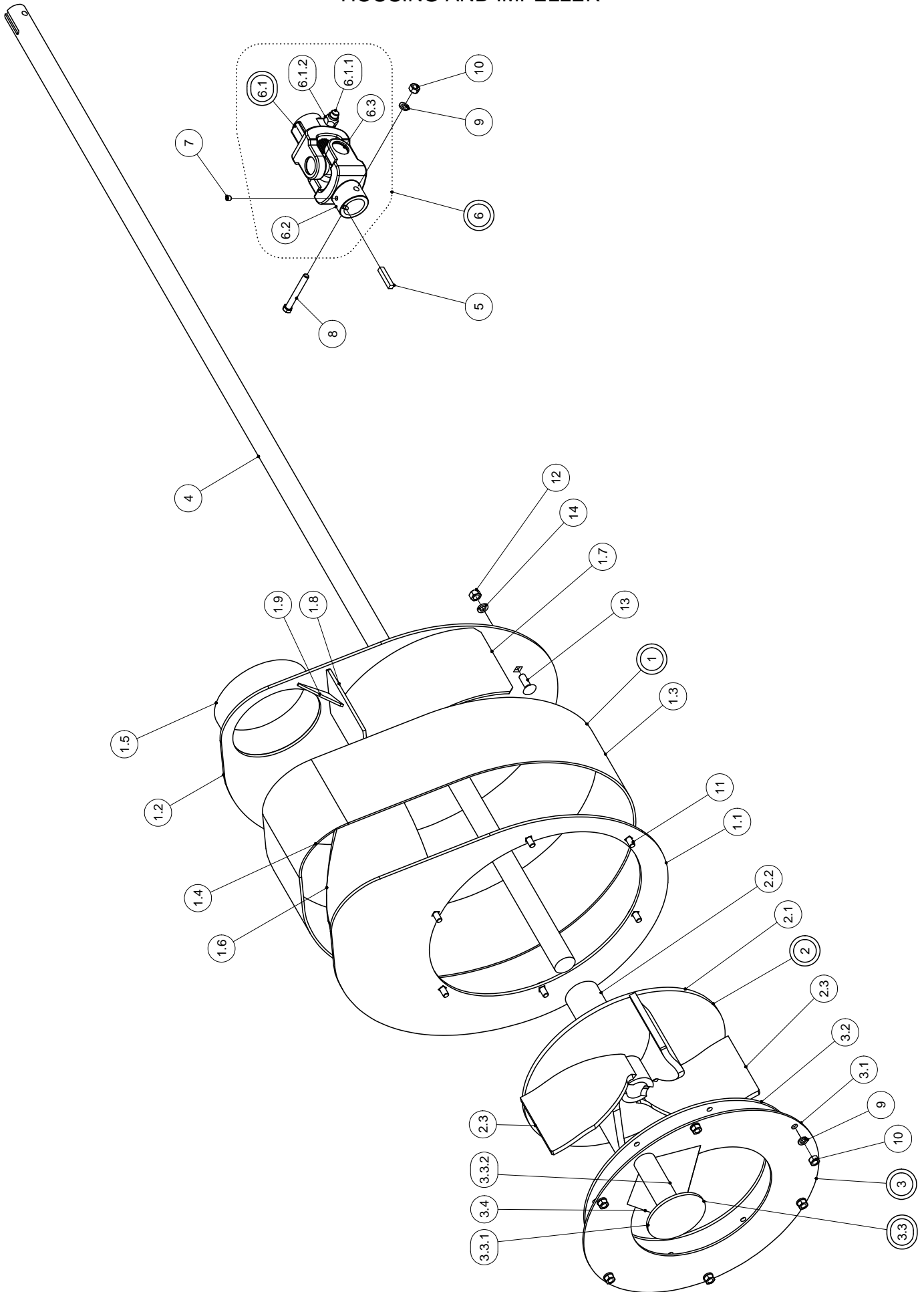
AGITATOR CYLINDER COMPLETE - 8" JIC
508-09-00-000

SEAL REPLACEMENT KIT - 508-12-00-000

R23215
 3/8" JIC F x 3/8" NPT SW ADAPTER
 MUST BE USED WHEN REPLACING
 CYLINDER ON ANY MACHINE PRIOR
 TO 2011 - 2 pcs REQ'D

PARTS LIST			
ITEM	PART NUMBER	DESCRIPTION	QTY
1	508-09-01-000	1 1/2" x 8" CYL TUBE ASSY - JIC	1
1.1	244-26-01-344	CYLINDER TUBE FLANGE	1
1.2	508-09-01-040	1 1/2" x 8" CYL TUBE - JIC	1
1.3	508-09-01-041	CYL END CAP - JIC	1
1.4	R23151	3/8" M. JIC WELD FITTING	2
2	244-14-02-325	CYLINDER SHAFT	1
3	244-26-00-345	FLANGE	1
4	340-36-00-435	CYLINDER PLUNGER	1
5	508-09-00-039	WIPER BLOCK - JIC	1
6	R07721	3/8 x 1 UNC CARRIAGE BOLT	2
7	R07794	3/8-16 UNC FLANGE NUT	2
8	R07885	1/2-13 UNC 2-WAY LOCK NUT	1
9	R08222	1/2" SS FLAT WASHER	2
10	R08229	1/2 UNC SS NYLOCK NUT	1
11	R20771	O-RING #11-210	1
12	R20774	3/4" HYTREL ROD WIPER 52-750	1
13	R20862	3/4" BACKUP #210	1
14	R20865	O-RING #11-014	1
15	R20866	O-RING #11-218	2
16	R20867	BACKUP RING #8-218	2

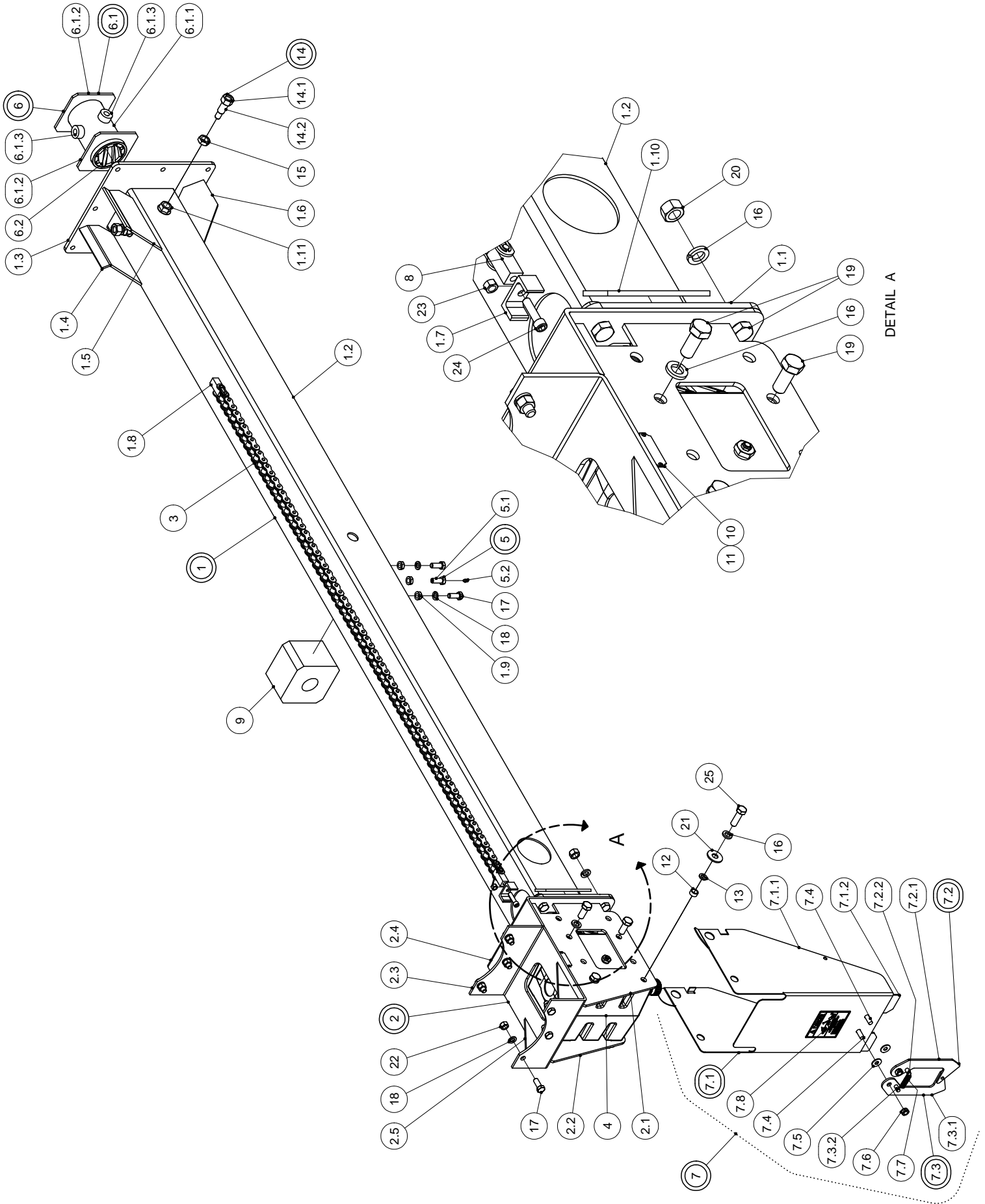
HOUSING AND IMPELLER



HOUSING AND IMPELLER

PARTS LIST			
ITEM	PART NUMBER	DESCRIPTION	QTY
1	244-39-00-000	HOUSING ASSY	1
1.1	244-39-00-374	LOWER HOUSING PLATE	1
1.2	244-39-00-373	HOUSING UPPER PLATE	1
1.3	244-39-00-376	BAND	1
1.4	244-39-00-386	HOUSING BAND CAP	1
1.5	244-39-00-375	DISCHARGE TUBE	1
1.6	244-39-00-378	BOOT END PLATE	1
1.7	244-39-00-385	INNER HOUSING BAND	1
1.8	244-39-00-377	SIDE PLATE	1
1.9	244-39-00-384	GUSSET	1
2	244-18-00-000	IMPELLER ASSY	1
2.1	244-18-00-330	IMPELLER BACK PLATE	1
2.2	244-18-00-331	IMPELLER SLEEVE	1
2.3	244-18-00-329	IMPELLER BLADE	4
3	244-01-00-000	COVER PLATE ASSY	1
3.1	244-01-00-256	COVER PLATE	1
3.2	244-01-00-255	COVER PLATE SUPPORT	1
3.3	250-04-03-000	FOOT ASSY	1
3.3.1	250-04-03-012	FOOT END	1
3.3.2	250-04-03-013	FOOT PLATE	1
3.4	250-04-00-173	FOOT GUSSET	2
4	242-00-00-258	DRIVE SHAFT - 8FT MODEL	1
	244-00-00-259	DRIVE SHAFT - 10FT MODEL	1
	246-00-00-260	DRIVE SHAFT - 12FT MODEL	1
	246-00-00-560	DRIVE SHAFT - 14FT MODEL	1
5	270-00-00-075	3/8 KEY - 50mm LONG	1
6	242-54-00-000	KNUCKLE ASSY	1
6.1	R22028	1 3/4" QD YOKE 27T C/W BOLT & NUT	1
6.1.1	R08281	M16-2 x 90 HEX BOLT	1
6.1.2	R08266	M16-2 NYLON INSERT LOCK NUT	1
6.2	R22030	1 3/4" ROUND HOLE YOKE	1
6.3	R22029	CROSS KIT	1
7	R07909	3/8 x 3/8 SET SCREW	1
8	R07633	7/16 x 3 1/2 UNC HEX BOLT	1
9	R07804	7/16" LOCK WASHER	7
10	R07784	7/16-14 UNC HEX NUT	7
11	R07731	7/16 x 1 UNC CARRIAGE BOLT	6
12	R07785	1/2-13 UNC HEX NUT	8
13	R07777	1/2 x 1 1/2 UNC CARRIAGE BOLT	8
14	R07805	1/2" LOCK WASHER	8

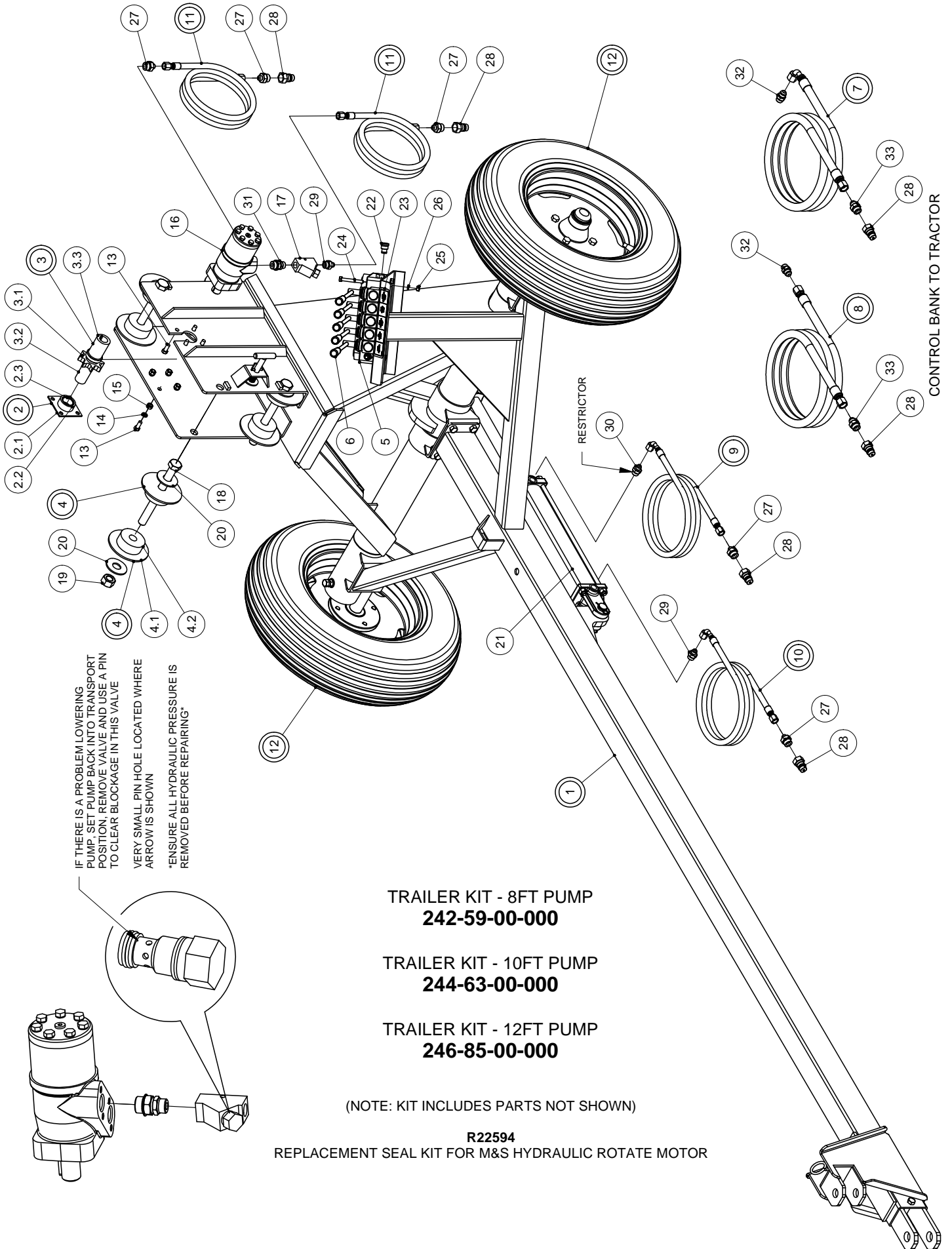
H-5000 DRIVE SHAFT TUBE



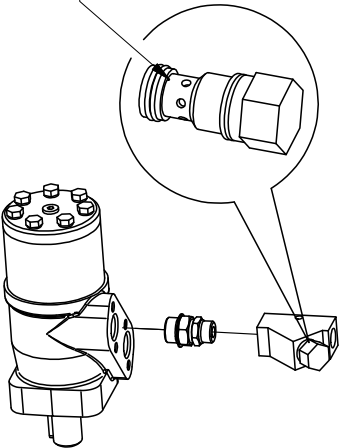
H-5000 DRIVE SHAFT TUBE

PARTS LIST				PARTS LIST			
ITEM	PART NUMBE	DESCRIPTION	QTY	ITEM	PART NUMBE	DESCRIPTION	QTY
1	242-82-00-000	SHAFT TUBE ASSY-8 FT	1	7.1.2	244-04-00-265	REINFORCING ANGLE	1
	244-83-00-000	SHAFT TUBE ASSY-10 FT	1	7.2	242-16-00-000	RH STABILIZER BRKT ASSY	1
	246-84-00-000	SHAFT TUBE ASSY-12 FT	1	7.2.1	242-16-00-079	STABILIZER BRKT	1
	246-95-00-000	SHAFT TUBE ASSY-14 FT	1	7.2.2	242-16-00-080	SPRING RETAINING ROD	1
1.1	242-11-00-062	DRIVE SHAFT TUBE END PLATE	1	7.3	242-96-00-000	LH STABILIZER BRKT ASSY	1
1.2	242-82-00-203	SHAFT TUBE-8 FT	1	7.3.1	242-16-00-079	STABILIZER BRKT	1
	244-83-00-205	SHAFT TUBE-10 FT	1	7.3.2	242-16-00-080	SPRING RETAINING ROD	1
	246-84-00-206	SHAFT TUBE-12 FT	1	7.4	R07671	7/16 x 1 1/4 HEX BOLT	2
	246-95-00-550	SHAFT TUBE-14 FT	1	7.5	R07824	7/16 FLAT WASHER	2
1.3	242-82-00-204	LOWER SHAFT TUBE FLANGE	1	7.6	R07891	7/16 2-WAY LOCK NUT	2
1.4	242-82-00-415	RH GUSSET STOP PLATE	1	7.7	R08025	STABILIZER SPRING	1
1.5	242-11-00-057	LH GUSSET STOP PLATE	1	7.8	R21521	"ROTATING DRIVE LINE" DECAL	1
1.6	242-11-00-058	SHAFT TUBE GUSSET	2	8	242-00-00-066	CHAIN TIGHTENER	1
1.7	242-11-00-061	TIGHTENER BRACKET	1	9	R20235	5.58" SQ WOOD BEARING	1
1.8	242-11-00-059	CHAIN HOLD DOWN BRACKET	1	10	R09071	SERIAL NUMBER PLATE	1
1.9	R08304	1/2 S.S. FLANGE NUT	3	11	R08152	6 x 1/4 PAN HD SOCKET SCREW	2
1.10	242-11-00-064	TUBE GUSSET	2	12	242-00-00-338	FLIP GUARD SPACER	2
1.11	R08433	3/4-10 UNC PLATED FLANGE NUT	2	13	R09638	RUBBER WASHER 7/8 X 1/2" X 1/8"	2
2	244-03-00-000	GEARBOX BRKT ASSY	1	14	244-97-00-000	3/4" S.S. SET SCREW ASSY	2
2.1	244-03-00-262	RH GEARBOX BRKT	1	14.1	R08432	3/4-10 SS UNC HEX NUT	1
2.2	244-03-00-263	LH GEARBOX BRKT	1	14.2	244-97-00-522	3/4" S.S. REDDI THREAD SET SCREW	1
2.3	242-14-00-075	STANDPIPE SADDLE	1	15	R07847	3/4-10 UNC JAM NUT	2
2.4	242-14-00-074	GEARBOX LOWER PLATE	1	16	R07806	5/8" LOCK WASHER	10
2.5	244-03-00-414	GEARBOX BRKT GUSSET	2	17	R07674	1/2 x 1 1/4 UNC HEX BOLT	8
3	242-00-00-065	ROLLER CHAIN - 8 FT	1	18	R07805	1/2" LOCK WASHER	8
	244-00-00-169	ROLLER CHAIN - 10 FT	1	19	R07646	5/8 x 1 1/2 UNC HEX BOLT	10
	246-00-00-177	ROLLER CHAIN - 12 FT	1	20	R07786	5/8-11 UNC HEX NUT	4
	246-00-00-580	ROLLER CHAIN - 14 FT	1	21	R07826	5/8" FLAT WASHER	2
4	R22478	SUPERIOR GEARBOX 1-1	1	22	R07785	1/2-13 UNC HEX NUT	6
	R22481	SUPERIOR GEARBOX 1.18:1 Standard	1	23	R07797	3/8-24 UNF HEX NUT	1
	R22479	SUPERIOR GEARBOX 1.35:1	1	24	R07868	3/8 x 1 1/2 UNF SHCS	1
	R22480	SUPERIOR GEARBOX 1.5:1	1	25	R07647	5/8 x 2 UNC HEX BOLT	2
5	244-88-00-000	WOOD BEARING GREASE BOLT KIT	1	 <p style="text-align: center;">FOR 12 & 14FT PUMPS</p> <p>ITEM # 1.9 QTY 6 ITEM # 5 QTY 2 ITEM # 9 QTY 2 ITEM # 17 QTY 10 ITEM # 18 QTY 12</p>			
5.1	244-88-00-451	WOOD BEARING GREASE BOLT	1				
5.2	R08183	1/4" - 28 STRAIGHT GREASE FITTING	1				
6	244-13-00-000	MARINE BEARING & HOLDER COMP.	1				
6.1	244-13-01-000	2 3/4" MARINE BEARING HOLDER	1				
6.1.1	244-13-01-320	HOLDER TUBE	1				
6.1.2	244-13-01-321	BEARING HOLDER PLATE	2				
6.1.3	244-13-01-322	SET SCREW SEAT	2				
6.2	R20224	H5000 2 3/4" URETHENE FOR BRG	1				
7	242-45-00-000	PTO GUARD AND BRKT KIT	1				
7.1	244-04-00-000	PTO GUARD ASSY	1				
7.1.1	244-04-00-264	PTO GUARD	1				

TRAILER COMPLETE



IF THERE IS A PROBLEM LOWERING PUMP, SET PUMP BACK INTO TRANSPORT POSITION, REMOVE VALVE AND USE A PIN TO CLEAR BLOCKAGE IN THIS VALVE VERY SMALL PIN HOLE LOCATED WHERE ARROW IS SHOWN
 ENSURE ALL HYDRAULIC PRESSURE IS REMOVED BEFORE REPAIRING



TRAILER KIT - 8FT PUMP
242-59-00-000

TRAILER KIT - 10FT PUMP
244-63-00-000

TRAILER KIT - 12FT PUMP
246-85-00-000

(NOTE: KIT INCLUDES PARTS NOT SHOWN)

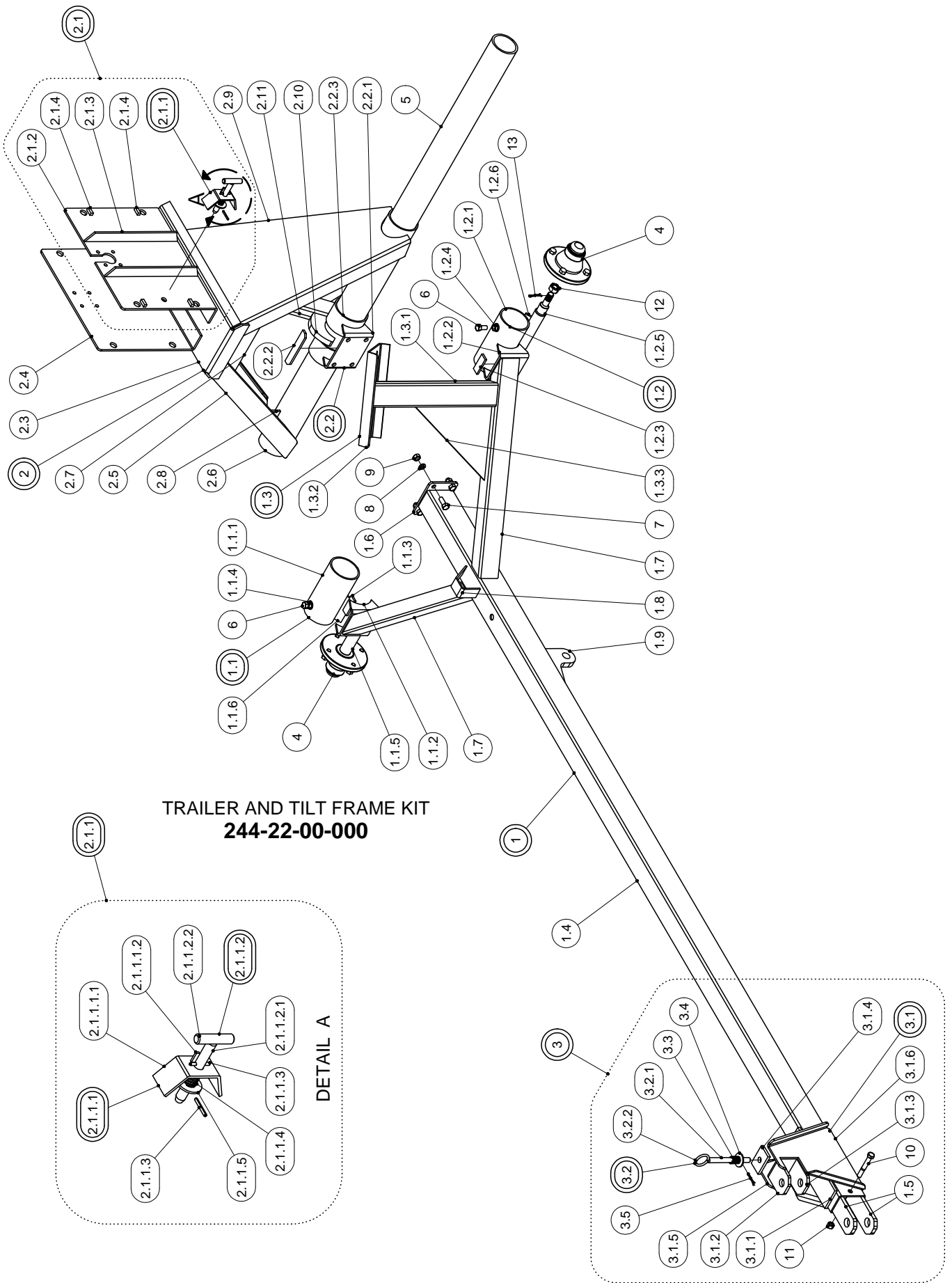
R22594
 REPLACEMENT SEAL KIT FOR M&S HYDRAULIC ROTATE MOTOR

CONTROL BANK TO TRACTOR

TRAILER COMPLETE

PARTS LIST			
ITEM	PART NUMBER	DESCRIPTION	QTY
1	244-22-00-000	TRAILER AND TILT FRAME KIT	1
2	242-26-00-000	BUSHING HOLDER ASSY	1
2.1	242-26-00-133	BUSHING HOLDER PLATE	1
2.2	242-26-00-134	BUSHING HOLDER	1
2.3	R20259	BUSHING 1 1/4 x 1 1/2 x 3/4 LONG	1
3	242-25-00-000	SPROCKET DRIVE ASSY	1
3.1	250-25-00-257	80 B8 SROCKET w/ 1 1/4" BORE	1
3.2	242-25-00-131	SPROCKET SHAFT	1
3.3	242-25-00-132	MOTOR TO SHAFT COUPLING	1
4	242-24-00-000	SPOOL ROLLER ASSY	8
4.1	242-24-00-129	SPOOL END PLATE	1
4.2	242-24-00-128	SPOOL HOLDER	1
5	R22250	5 BANK MONOBLOCK VALVE	1
6	R22251	VALVE HANDLE ASSY	5
7	242-71-00-000	1/2" HYDRAULIC HOSE ASSY	1
8	242-72-00-000	1/2" HYDRAULIC HOSE ASSY	1
9	246-57-00-000	HYD HOSE ASSY-TRACTOR TO TIP CYLINDER	1
10	246-20-00-000	HYD HOSE ASSY-TRACTOR TO TIP CYLINDER	1
11	244-80-00-000	HYD HOSE ASSY-TRACTOR TO ORBIT MOTOR	2
12	250-65-00-000	TIRE & WHEEL ASSY - 5.9 x 15	2
13	R07670	3/8 x 7/8 HEX BOLT	8
14	R07803	3/8 LOCK WASHER	8
15	R07783	3/8 HEX NUT	4
16	R22255	M&S HYDRAULIC MOTOR	1
17	R23330	FLOW CONTROL VALVE - ORB-8	1
18	R07697	7/8 X 9" HEX BOLT	4
19	R08047	7/8 - 2 WAY LOCK NUT	4
20	R07828	1" FLAT WASHER	8
21	R23290	30TH14 HYD CYL-ORB	1
22	R22252	CLOSED CENTRE PLUG M18x1.5	1
23	R09653	CONTROL VALVE STICKER-H5	1
24	R07614	5/16" x 2 1/2 HEX BOLT	3
25	R07782	5/16 HEX NUT	3
26	R07802	5/16 LOCK WASHER	3
27	R23094	ORB-10 x 3/8" JIC M ADAPTOR	5
28	R23182	MALE PIONEER TIP-ORB-10	6
29	R23091	ORB-8 X 3/8" JIC M ADAPTOR	2
30	R23191	3/8" JIC M x ORB-8 M RESTRICTOR	1
31	R23226	ORB-8 x ORB-10 NIPPLE	1
32	R23092	ORB-8 x 1/2" JIC M. ADAPTOR	2
33	R23095	ORB-10 x 1/2" JIC M ADAPTOR	2

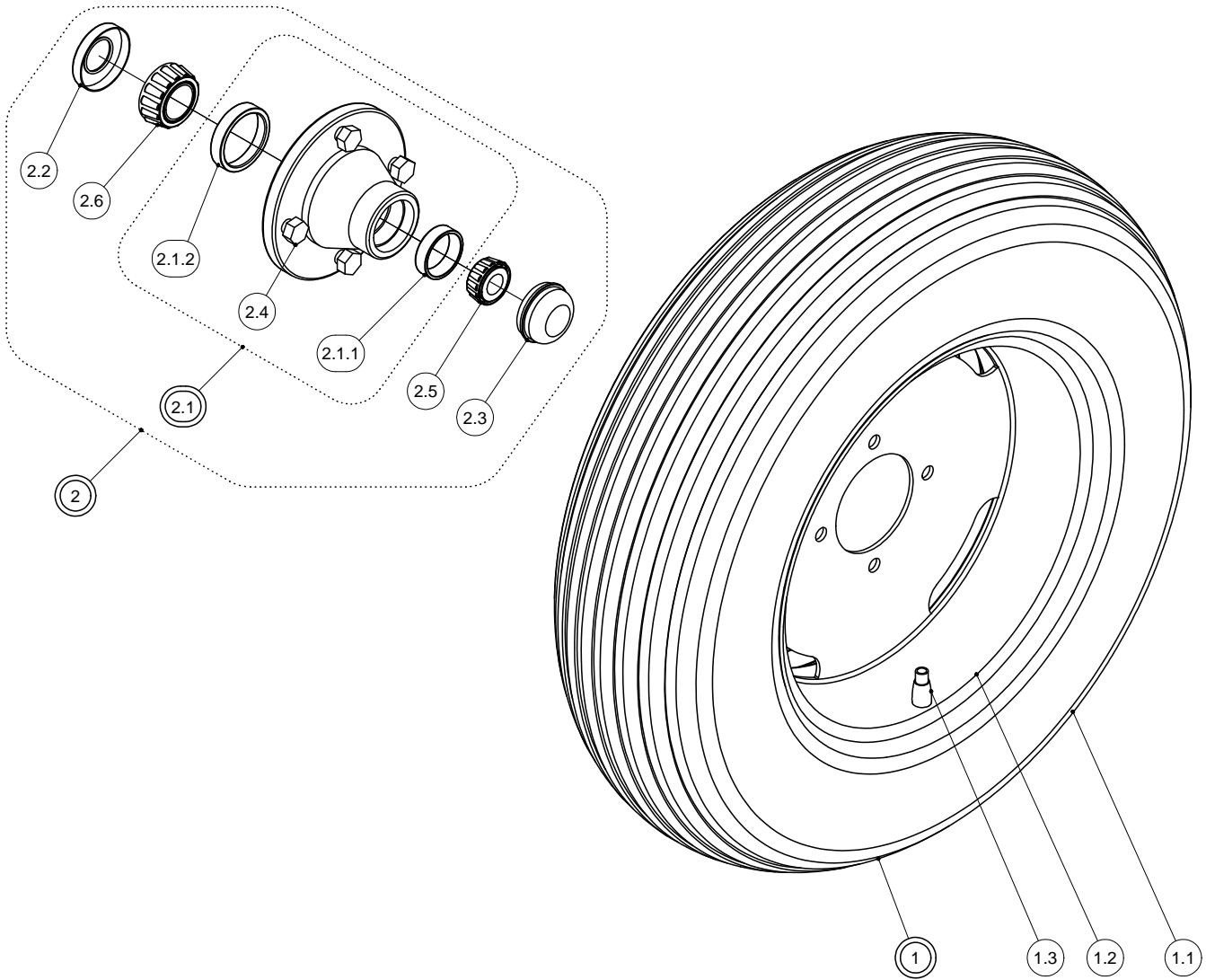
TRAILER & TILT FRAME KIT



TRAILER AND TILT FRAME KIT

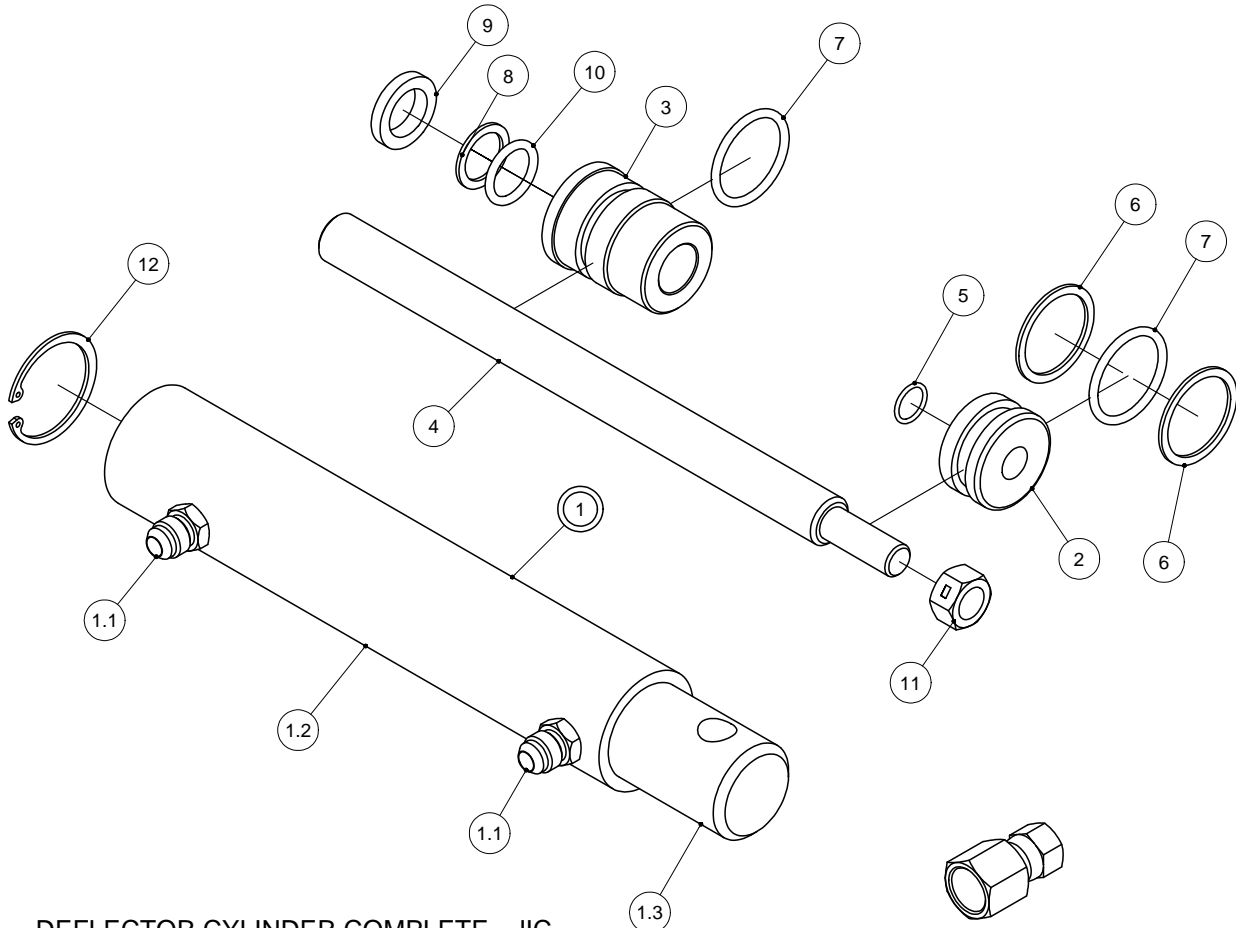
PARTS LIST				PARTS LIST			
ITEM	PART NUMBER	DESCRIPTION	QTY	ITEM	PART NUMBER	DESCRIPTION	QTY
1	242-89-00-000	TRAILER ASSY	1	2.1.4	242-17-13-261	STOP BLOCK	4
1.1	242-18-14-000	RH SPINDLE SLEEVE HOLDER	1	2.2	242-19-00-000	TONGUE AXLE BRKT ASSY	1
1.1.1	242-18-00-102	OUTER SLEEVE	1	2.2.1	242-19-00-107	TONGUE AXLE BRKT	1
1.1.2	242-18-14-100	AXLE BRACE BRKT	1	2.2.2	242-19-00-108	REINFORCING BAR	1
1.1.3	242-18-14-101	REINFORCING BAR	1	2.2.3	242-19-00-109	OUTER SLEEVE	2
1.1.4	R07795	1/2" UNC FLANGE NUT	1	2.3	242-17-00-084	TILT FRAME BASE	1
1.1.5	R20141	SPINDLE	1	2.4	242-17-00-083	LH SPOOL HOLDER	1
1.1.6	242-89-00-215	SPINDLE REINFORCING BAR	1	2.5	242-17-00-085	LH SUPPORT ARM	1
1.2	242-18-28-000	LH SPINDLE SLEEVE HOLDER	1	2.6	242-17-00-090	WHEEL SHAFT SLEEVE	1
1.2.1	242-18-00-102	OUTER SLEEVE	1	2.7	242-17-00-088	TILT FRAME GUSSET	1
1.2.2	242-18-14-100	AXLE BRACE BRKT	1	2.8	242-17-00-091	SUPPORT ARM GUSSET	2
1.2.3	242-18-14-101	REINFORCING BAR	1	2.9	242-17-00-086	RH SUPPORT ARM	1
1.2.4	R07795	1/2" UNC FLANGE NUT	1	2.10	242-17-00-089	CYLINDER AXLE BRKT	1
1.2.5	R20141	SPINDLE	1	2.11	242-17-00-087	REINFORCING BARS	2
1.2.6	242-89-00-215	SPINDLE REINFORCING BAR	1	3	244-06-00-000	HITCH KIT	1
1.3	242-18-15-000	CONTROL VALVE STAND ASSY	1	3.1	242-99-00-000	HITCH ASSY	1
1.3.1	242-18-15-103	CONTROL VALVE STAND TUBE	1	3.1.1	242-99-00-238	HITCH BRKT	1
1.3.2	242-18-15-104	CONTROL VALVE PLATE	1	3.1.2	242-99-00-239	UPPER TONGUE PLATE	1
1.3.3	242-18-15-106	STANDTUBE GUSSET	1	3.1.3	242-99-00-240	LOWER TONGUE PLATE	1
1.4	242-18-00-092	TRAILER TUBE	1	3.1.4	242-99-00-242	PIN BRKT	1
1.5	242-89-00-243	TRAILER TUBE TONGUE PLATE	2	3.1.5	242-99-00-245	RH SIDE PLATE	1
1.6	242-18-00-099	TONGUE BRKT	1	3.1.6	242-99-00-241	LH SIDE PLATE	1
1.7	242-18-00-093	FRAME TUBE BRACE	2	3.2	242-98-00-000	DROP PIN ASSY	1
1.8	242-18-00-095	ROLLER CASE STOP	1	3.2.1	242-98-00-233	DROP PIN	1
1.9	242-18-00-096	CYLINDER GUSSET	1	3.2.2	250-00-00-354	1/4 X 1 1/2" RING	1
2	242-17-00-000	"A" FRAME ASSY	1	3.3	R08027	7/8 x 1 3/8 COMP. SPRING	1
2.1	242-17-13-000	RH SPOOL HOLDER ASSY	1	3.4	R07826	5/8 FLAT WASHER	1
2.1.1	242-27-00-000	SIDE LOCK KIT	1	3.5	R08207	5/32 x 1 1/2 S.S. COTTER PIN	1
2.1.1.1	242-17-17-000	SIDE LOCK BRACKET ASSY	1	4	250-60-30-000	H-411 HUB COMPLETE	2
2.1.1.1.1	242-17-17-193	SIDE LOCK BRACKET	1	5	242-00-00-113	INNER AXLE	1
2.1.1.1.2	242-17-17-194	PIN STOP	1	6	R07637	1/2 x 1 HEX BOLT	2
2.1.1.2	242-17-18-000	SIDE LOCK PIN ASSY	1	7	R07674	1/2 x 1 1/4 HEX BOLT	4
2.1.1.2.1	242-17-18-195	SIDE LOCK PIN	1	8	R07805	1/2 LOCK WASHER	4
2.1.1.2.2	242-17-18-196	PIN HANDLE	1	9	R07785	1/2 HEX NUT	4
2.1.1.3	R07943	3/16 x 1 1/2 ROLL PIN	2	10	R07642	1/2 x 3 1/2 HEX BOLT	1
2.1.1.4	R08027	7/8 x 1 3/8 COMP. SPRING	1	11	R07885	1/2 - 2 WAY LOCK NUT	1
2.1.1.5	R07826	5/8 FLAT WASHER	1	12	R20142	SLOTTED HEX NUT	2
2.1.2	242-17-13-081	RH SPOOL HOLDER	1	13	R08207	5/32 x 1 1/2 S.S. COTTER PIN	2
2.1.3	242-17-13-082	SPOOL HOLDER BRACE	2				

TIRE, WHEEL AND HUB



PARTS LIST			
ITEM	PART NUMBER	DESCRIPTION	QTY
1	250-65-00-000	TIRE & WHEEL ASSY - 5.9 x 15	1
1.1	R20016	5.9 x 15 RIB IMPLEMENT TIRE	1
1.2	R20057	4.5 x 15 WHEEL - 4 BOLT	1
1.3	R20020	VALVE STEM	1
2	250-60-30-000	H-411 HUB COMPLETE	1
2.1	R20139	H-411 HUBS w/ CUPS	1
2.1.1	R20130	H411 LM11910 O.CUP	1
2.1.2	R20129	H411 LM67010 I.CUP	1
2.2	R20144	OIL SEAL CRSE11	1
2.3	R20143	DUST CAP	1
2.4	R20145	WB55 1/2 x 1 WHEEL BOLT	4
2.5	R20158	LM11949 OUTER CONE .75" BORE	1
2.6	R20159	LM67048 INNER CONE 1.25" BORE	1

DEFLECTOR CYLINDER COMPLETE - JIC



DEFLECTOR CYLINDER COMPLETE - JIC
508-11-00-000

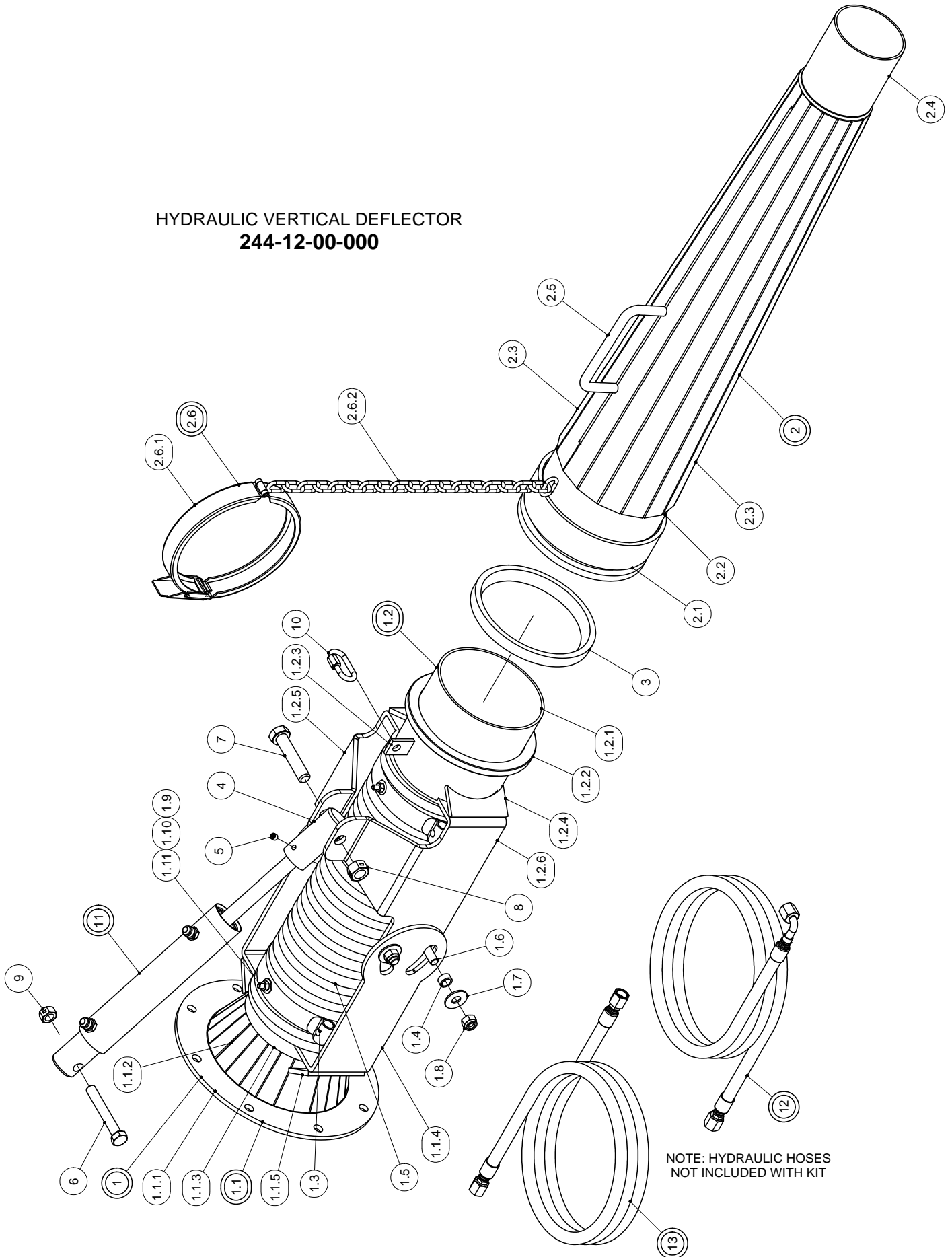
SEAL REPLACEMENT KIT **508-12-00-000**

R23215
 3/8" JIC F x 3/8" NPT SW ADAPTER
 MUST BE USED WHEN REPLACING
 CYLINDER ON ANY MACHINE PRIOR
 TO 2011 - 2 pcs REQ'D

PARTS LIST			
ITEM	PART NUMBER	DESCRIPTION	QTY
1	508-11-01-000	DEFLECTOR CYL TUBE ASSY - JIC	1
1.1	R23151	3/8" M. JIC WELD FITTING	2
1.2	508-11-01-038	DEFLECTOR CYL TUBE - JIC	1
1.3	508-11-01-042	DEFLECTOR CYL END CAP - JIC	1
2	340-36-00-435	CYLINDER PLUNGER	1
3	508-09-00-039	WIPER BLOCK - JIC	1
4	275-15-00-122	HYDRAULIC CYLINDER SHAFT	1
5	R20865	O-RING #11-014	1
6	R20867	BACKUP RING #8-218	2
7	R20866	O-RING #11-218	2
8	R20862	3/4" BACKUP #210	1
9	R20774	3/4" HYTREL ROD WIPER 52-750	1
10	R20771	O-RING #11-210	1
11	R07885	1/2-13 UNC 2-WAY LOCK NUT	1
12	R08198	1 9/16" INTERNAL SNAP RING	1

VERTICAL DEFLECTOR

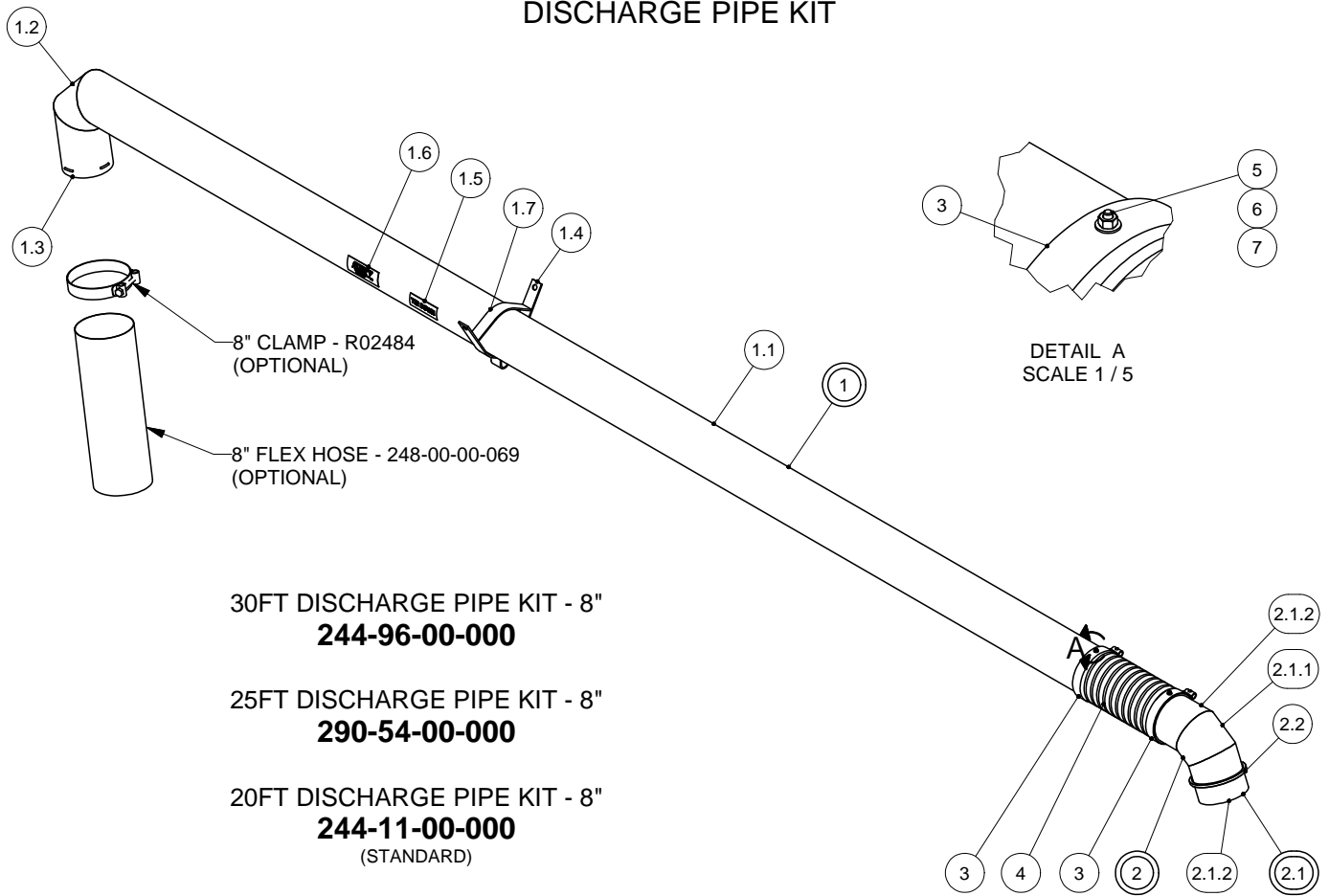
HYDRAULIC VERTICAL DEFLECTOR 244-12-00-000



VERTICAL DEFLECTOR

PARTS LIST			
ITEM	PART NUMBER	DESCRIPTION	QTY
1	244-12-08-000	DEFLECTOR MECHANISM KIT	1
1.1	244-12-01-000	CONE ASSY 8" TO 6" W/PIVOT BRKT	1
1.1.1	242-58-48-285	DEFLECTOR FLANGE	1
1.1.2	270-63-34-188	8 TO 6" CONE	1
1.1.3	244-12-03-313	CONE MALE END	1
1.1.4	244-05-43-276	MAIN PIVOT BRKT	2
1.1.5	244-12-01-332	GUSSET	2
1.2	244-12-02-000	CYLINDER BRKT ASSY	1
1.2.1	244-12-01-309	EXTENSION TUBE	1
1.2.2	250-95-00-295	CLAMP RING	1
1.2.3	250-96-00-298	CHAIN LUG	1
1.2.4	244-12-02-312	GUSSET	2
1.2.5	244-12-02-504	RH PIVOT BRKT	1
1.2.6	244-12-02-505	LH PIVOT BRKT	1
1.3	R02482	6" HOSE CLAMP	2
1.4	244-05-00-281	SPACER PIPE	4
1.5	270-63-00-187	FLEX HOSE	1
1.6	R07774	7/16 x 1 1/4 UNC CARRIAGE BOLT	4
1.7	R07824	7/16" FLAT WASHER	4
1.8	R08178	7/16 UNC NYLOCK NUT	4
1.9	R07821	1/4" FLAT WASHER	4
1.10	R07781	1/4-20 UNC HEX NUT	4
1.11	R07601	1/4 x 1 UNC HEX BOLT	4
2	244-12-07-000	CONE ASSY	1
2.1	250-96-01-296	6" COUPLING BASE TUBE	1
2.2	244-12-02-311	FILLER PIPE	1
2.3	244-12-03-314	CONE (HALF)	2
2.4	244-12-05-319	STUB TUBE	1
2.5	244-12-03-341	CONE HANDLE	1
2.6	244-99-00-000	CLAMP & CHAIN ASSY	1
2.6.1	R02487	6" RING LOCK CLAMP	1
2.6.2	244-99-00-527	CLAMP CHAIN	1
3	R02366	6" RUBBER GASKET	1
4	242-58-00-293	CYLINDER SHAFT LUG	1
5	R07926	5/16-18 x 1/4" SET SCREW	1
6	R07642	1/2 x 3 1/2 UNC HEX BOLT	1
7	R07649	5/8 x 3 UNC HEX BOLT	1
8	R07887	5/8-11 UNC 2-WAY LOCK NUT	1
9	R07885	1/2-13 UNC 2-WAY LOCK NUT	1
10	R08435	1/4 Quick Link	1
11	508-11-00-000	DEFLECTOR CYL COMPLETE - JIC	1
12	244-67-00-000	1/4" HYD HOSE ASSY	1
13	244-53-00-000	1/4" HYD HOSE ASSY	1

DISCHARGE PIPE KIT



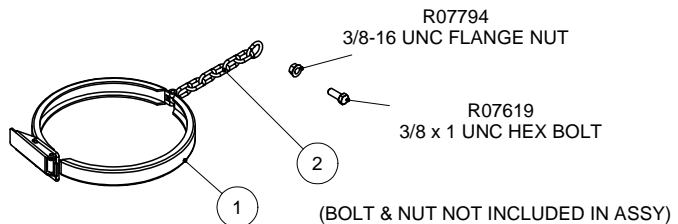
30FT DISCHARGE PIPE KIT - 8"
244-96-00-000

25FT DISCHARGE PIPE KIT - 8"
290-54-00-000

20FT DISCHARGE PIPE KIT - 8"
244-11-00-000
(STANDARD)

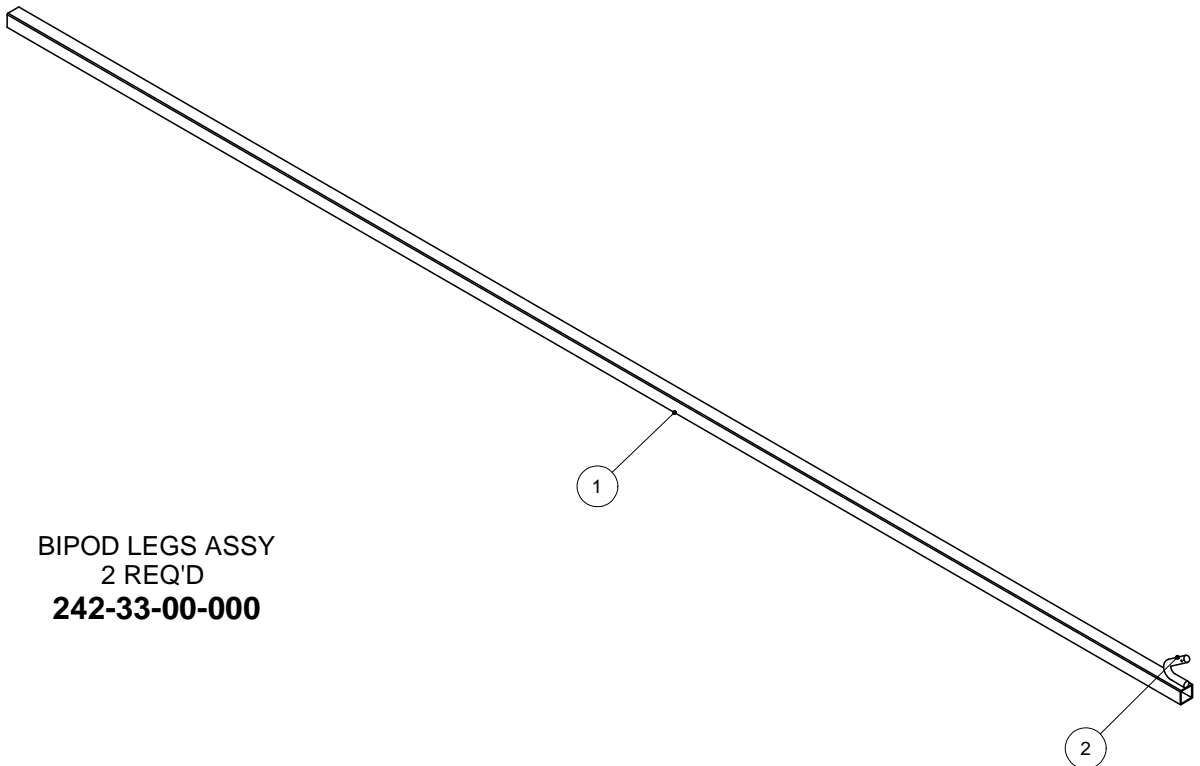
PARTS LIST				PARTS LIST			
ITEM	PART NUMBER	DESCRIPTION	QTY	ITEM	PART NUMBER	DESCRIPTION	QTY
1	244-96-01-000	30 FT DISCHARGE PIPE ASSY	*	1.7	242-30-00-528	8" PIPE HOOK REINFORCING STRAP	1
1	270-53-24-000	25 FT DISCHARGE PIPE ASSY	*	2	244-08-00-000	PUMP ELBOW w/ RING ASSY	1
1	270-42-00-000	20 FT DISCHARGE PIPE ASSY	1	2.1	242-28-00-000	PUMP ELBOW ASSY	1
1.1	244-96-01-506	30 FT DISCHARGE PIPE	*	2.1.1	242-28-00-139	PUMP ELBOW MIDDLE SECTION	1
1.1	270-53-24-155	25 FT DISCHARGE PIPE	*	2.1.2	242-28-00-140	PUMP ELBOW UPPER SECTION	2
1.1	270-42-00-130	20 FT DISCHARGE PIPE	1	2.2	244-08-00-307	CLAMP RING	1
1.2	242-30-00-146	DISCHARGE ELBOW CENTER PC	1	3	R02484	8" SUCTION HOSE CLAMP	2
1.3	242-30-00-147	DISCHARGE ELBOW END PC	1	4	242-00-00-141	FLEXIBLE HOSE SECTION	1
1.4	242-30-00-148	DISCHARGE PIPE HOOK	1	5	R07601	1/4 x 1 HEX BOLT	4
1.5	R09690	"TIE DOWN" DECAL	1	6	R07781	1/4 HEX NUT	4
1.6	R09502-8INCH	"HUSKY" DECAL	1	7	R07821	1/4 FLAT WASHER	4

8" CLAMP & CHAIN ASSY
244-09-00-000



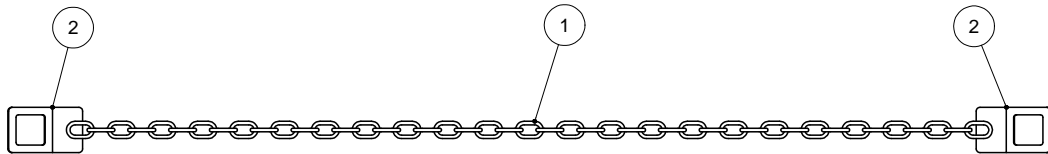
PARTS LIST			
ITEM	PART NUMBER	DESCRIPTION	QTY
1	R02488	8" RINGLOCK CLAMP	1
2	250-97-00-297	CLAMP CHAIN	1

DISCHARGE PIPE KIT CON'T



BIPOD LEGS ASSY
2 REQ'D
242-33-00-000

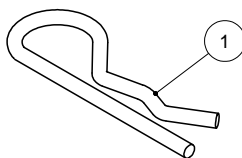
PARTS LIST			
ITEM	PART NUMBER	DESCRIPTION	QTY
1	242-33-00-155	BIPOD LEGS	1
2	242-33-00-156	BIPOD LEG HOOK	1



BIPOD LEG CHAIN ASSY
242-79-00-000

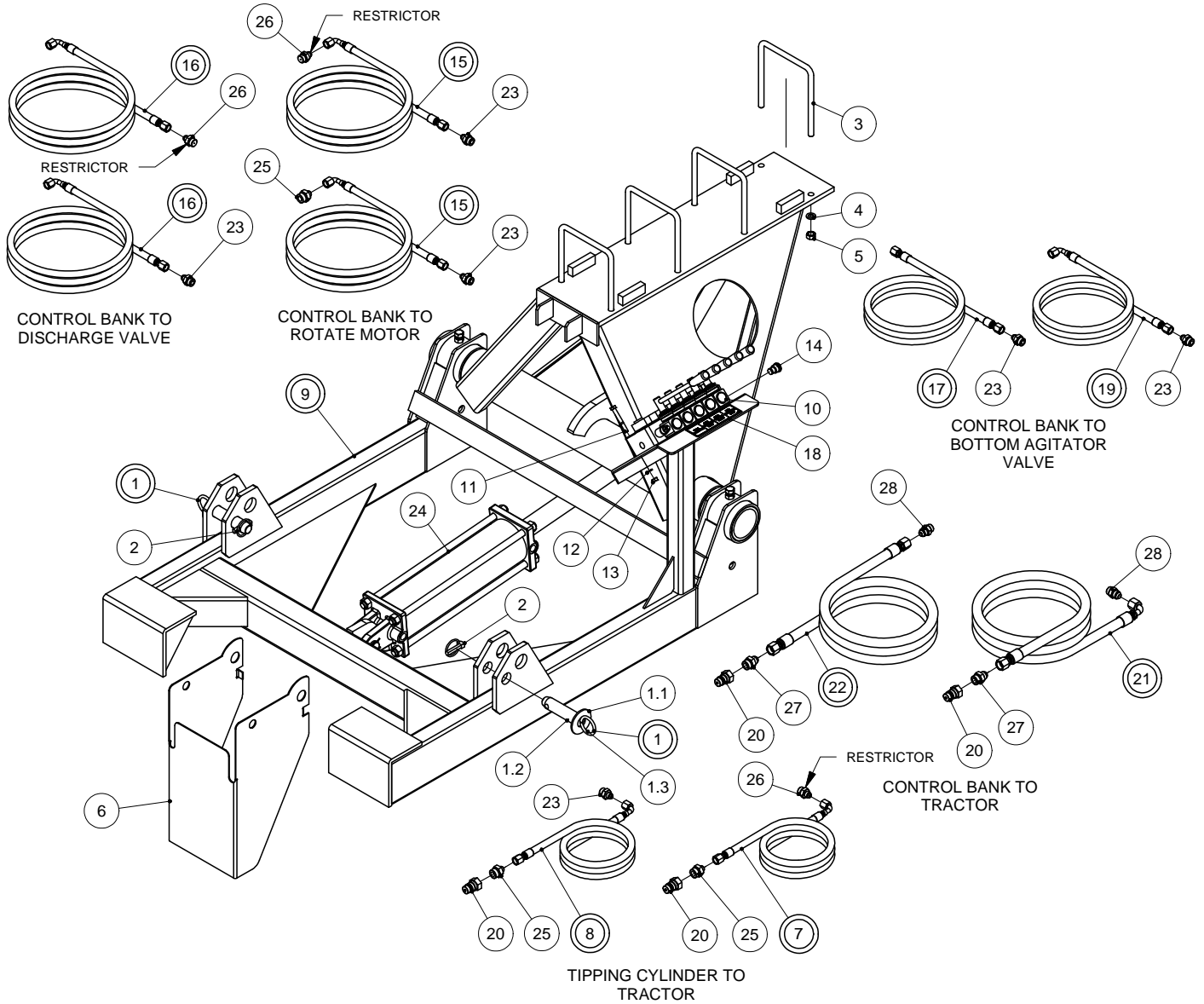
PARTS LIST			
ITEM	PART NUMBER	DESCRIPTION	QTY
1	242-79-00-199	BIPOD LEG CHAIN	1
2	242-79-00-198	BIPOD LEG CLIP	2

HAIR PIN
R07948



PARTS LIST			
ITEM	PART NUMBER	DESCRIPTION	QTY
1	R07948	5/32 HAIR PIN	1

2 PT HITCH KIT



2 POINT HITCH KIT - 8 FT
242-60-00-000

2 POINT HITCH KIT - 10 FT
244-64-00-000

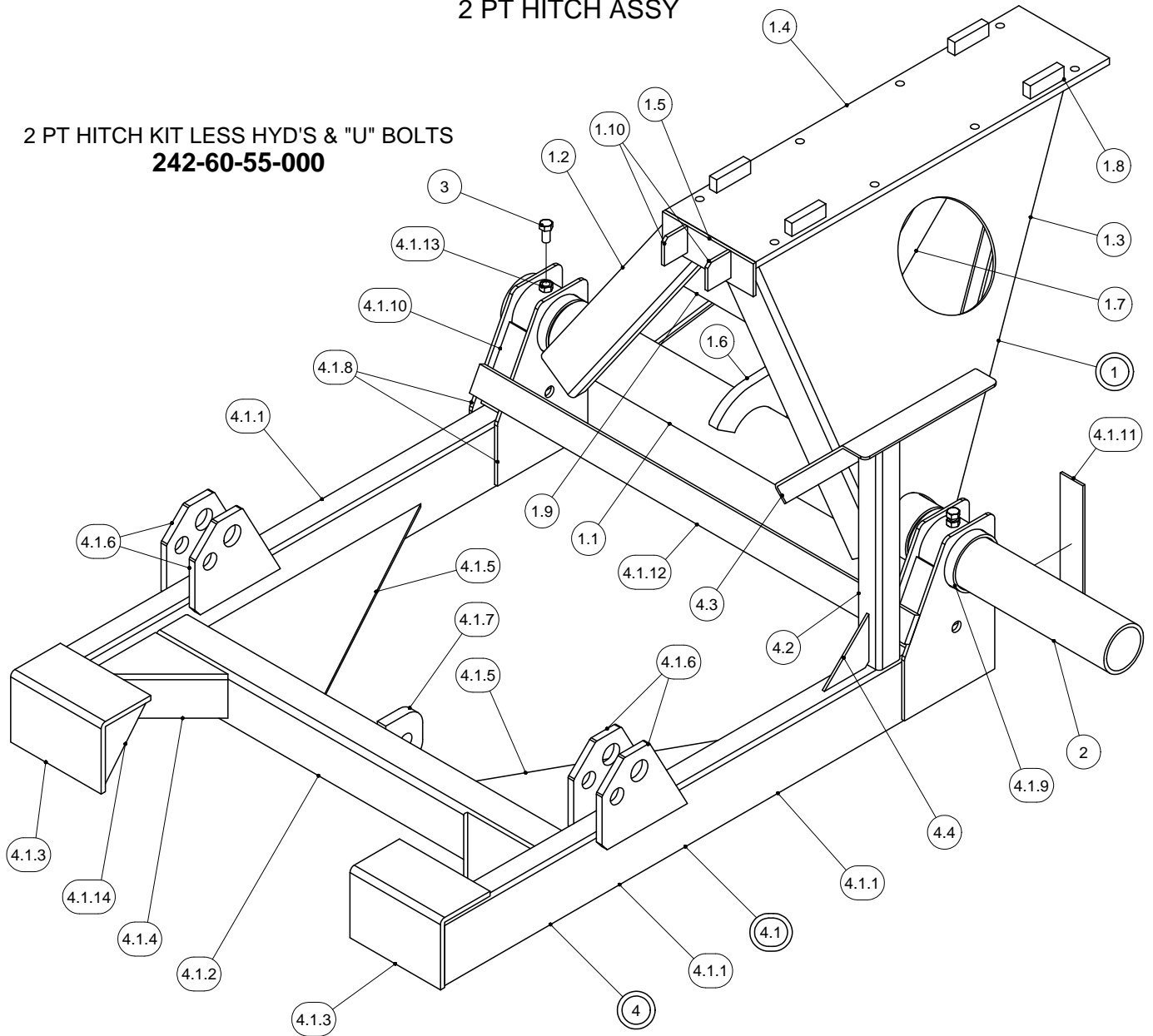
2 POINT HITCH KIT - 12 FT
246-86-00-000

2 PT HITCH KIT

PARTS LIST			
ITEM	PART NUMBER	DESCRIPTION	QTY
1	250-87-56-000	DRAW PIN ASSY	2
1.1	R07828	1" FLAT WASHER	1
1.2	250-87-56-264	DRAW PIN	1
1.3	250-00-00-354	1/4 X 1 1/2" RING	1
2	R08040	2 - 18 LYNCH PIN	2
3	R08173	"U" BOLT 1/2-13 UNC 6" ID X 7 1/4" LONG	4
4	R07805	1/2 LOCK WASHER	8
5	R07785	1/2 HEX NUT	8
6	242-60-00-271	2PT HITCH PTO GUARD	1
7	250-87-52-000	HYD HOSE ASSY-TRACTOR TO CYLINDER	1
8	250-87-51-000	HYD HOSE ASSY-TRACTOR TO CYLINDER	1
9	242-60-55-000	2PT HITCH LESS HYD'S AND "U" BOLTS	1
10	R22250	5 BANK MONOBLOCK VALVE	1
11	R07614	5/16" x 2 1/2 HEX BOLT	3
12	R07802	5/16 LOCK WASHER	3
13	R07782	5/16 HEX NUT	3
14	R22252	CLOSED CENTRE PLUG M18x1.5	1
15	242-60-01-000	HYD HOSE ASSY-CONTROL TO ROTATE	2
16	242-60-02-000	HYD HOSE ASSY-CONTROL TO SHUTOFF VALVE	2
17	244-77-00-000	HYD HOSE ASSY-CONTROL TO LOWER AGIT-8FT	1
	242-46-00-000	HYD HOSE ASSY-CONTROL TO LOWER AGIT-10FT	1
	244-79-00-000	HYD HOSE ASSY-CONTROL TO LOWER AGIT-12FT	1
18	R09673	HYDRAULIC CONTROL DECAL	1
19	242-46-00-000	HYD HOSE ASSY-CONTROL TO LOWER AGIT-8FT	1
	244-47-00-000	HYD HOSE ASSY-CONTROL TO LOWER AGIT-10FT	1
	246-56-00-000	HYD HOSE ASSY-CONTROL TO LOWER AGIT-12FT	1
20	R23182	MALE PIONEER TIP-ORB-10	4
21	242-60-03-000	1/2" HYDRAULIC HOSE ASSY	1
22	242-60-04-000	1/2" HYDRAULIC HOSE ASSY	1
23	R23091	ORB-8 X 3/8" JIC M ADAPTOR	6
24	R23311	40TD14-175 HYD CYL-ORB	1
25	R23094	ORB-10 x 3/8" JIC M ADAPTOR	3
26	R23191	3/8" JIC M x ORB-8 M RESTRICTOR	3
27	R23095	ORB-10 x 1/2" JIC M ADAPTOR	2
28	R23092	ORB-8 x 1/2" JIC M. ADAPTOR	2

2 PT HITCH ASSY

**2 PT HITCH KIT LESS HYD'S & "U" BOLTS
242-60-55-000**

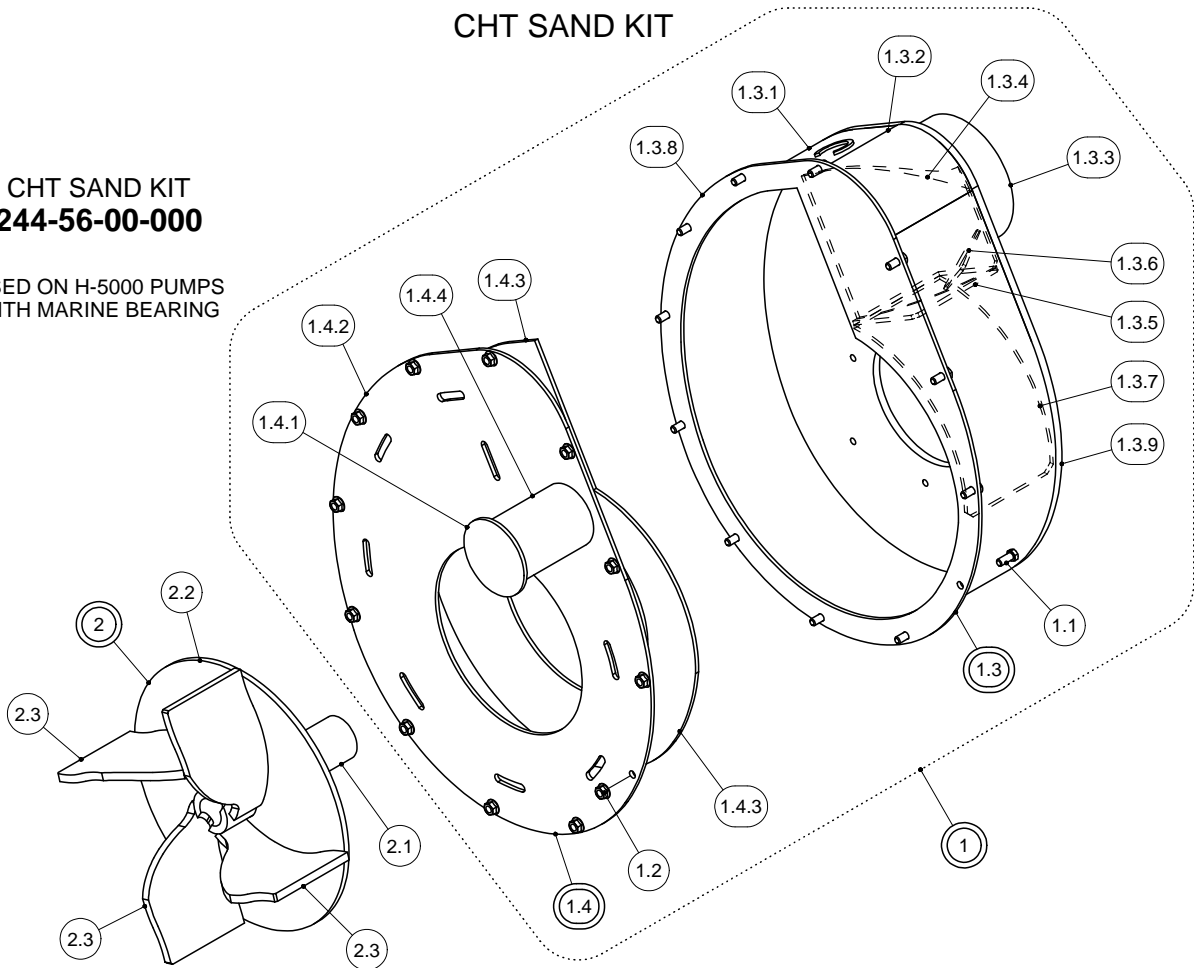


PARTS LIST				PARTS LIST			
ITEM	PART NUMBER	DESCRIPTION	QTY	ITEM	PART NUMBER	DESCRIPTION	QTY
1	242-60-35-000	TILT FRAME ASSY	1	4.1.2	250-87-44-216	CROSS BRACE	1
1.1	250-87-45-230	SUPPORT ARM SLEEVE	1	4.1.3	250-87-44-217	END CAP	2
1.2	242-60-35-248	RH SUPPORT ARM-2PT HITCH	1	4.1.4	250-87-44-218	ANGLE GUSSET	2
1.3	242-60-35-247	LH SUPPORT ARM-2PT HITCH	1	4.1.5	250-87-44-219	CROSS BRACE GUSSET	2
1.4	242-60-35-252	TOP SUPPORT PLATE	1	4.1.6	250-87-44-220	LIFT BRACKETS	4
1.5	242-60-35-251	GUSSET	1	4.1.7	250-87-44-221	CYLINDER LUG	1
1.6	250-87-45-231	CYLINDER AXLE BRACKET	1	4.1.8	250-87-44-222	TILT FRAME BRACKET	4
1.7	242-60-35-249	REINFORCING BAR	2	4.1.9	250-87-44-223	FRONT FRAME BRACKET SLEEVE	2
1.8	242-60-35-302	STABILIZER BAR	4	4.1.10	250-87-44-224	FRONT FILLER PLATE	2
1.9	242-60-35-250	TILT FRAME GUSSET	1	4.1.11	250-87-44-225	REAR FILLER PLATE	2
1.10	242-60-35-529	STOP BLOCK	2	4.1.12	250-87-44-226	CROSS STRAP	1
2	250-87-00-227	INNER AXLE TUBE	1	4.1.13	R07785	1/2 HEX NUT	2
3	R07637	1/2 x 1 HEX BOLT	2	4.1.14	250-87-44-335	GUSSET	2
4	242-60-41-000	2PT HITCH MAIN FRAME ASSY	1	4.2	242-60-41-266	CONTROL VALVE STAND TUBE	1
4.1	250-87-44-000	2PT FRAME ASSY-LESS VALVE STAND	1	4.3	242-18-15-104	CONTROL VALVE PLATE	1
4.1.1	250-87-44-215	LIFT ARM	2	4.4	242-60-41-267	GUSSET	1

CHT SAND KIT

CHT SAND KIT 244-56-00-000

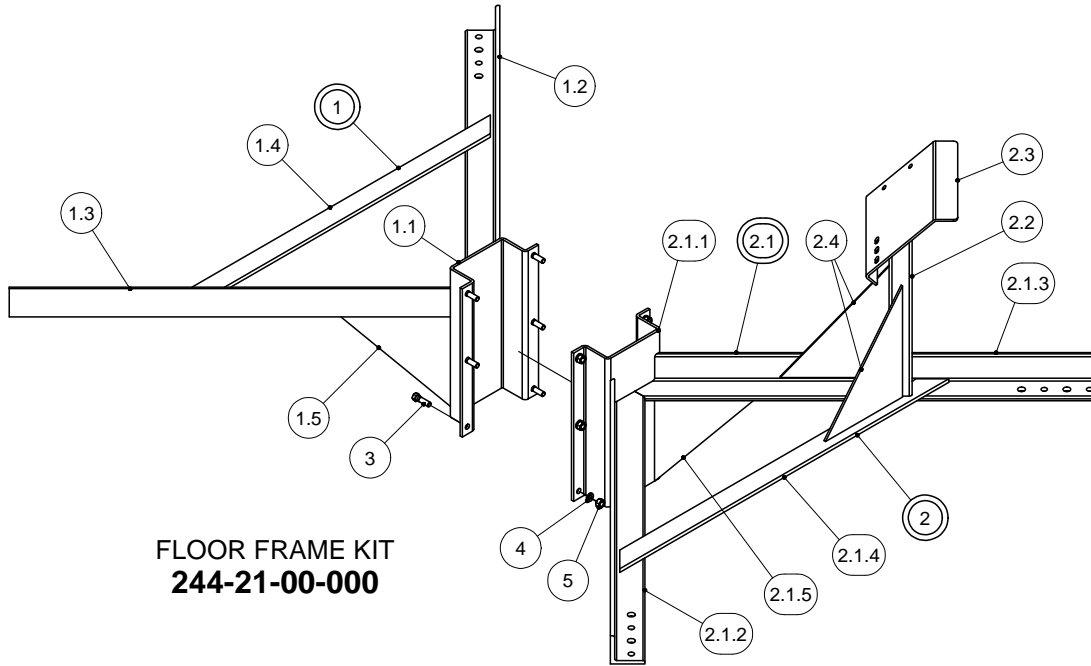
USED ON H-5000 PUMPS
WITH MARINE BEARING



PARTS LIST

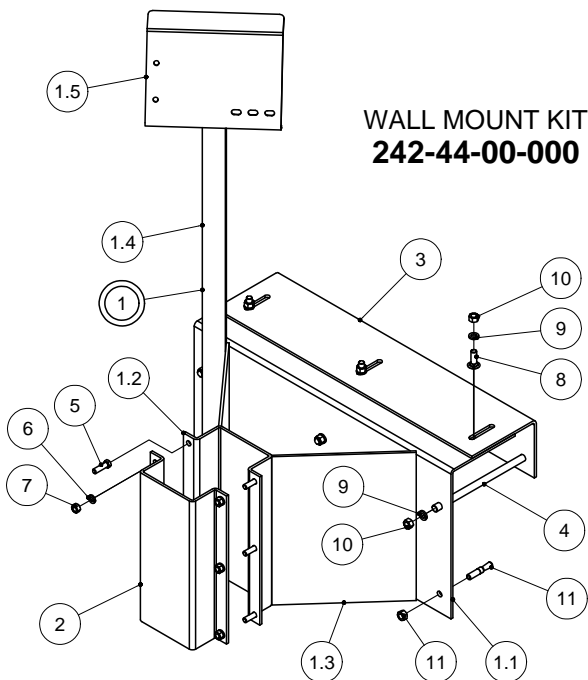
ITEM	PART NUMBER	DESCRIPTION	QTY
1	508-03-00-000	OMEGA 8 - FAN HOUSING KIT	1
1.1	R07628	7/16 x 1 UNC HEX BOLT	12
1.2	R07879	7/16-14 UNC FLANGE NUT	12
1.3	508-03-01-000	OMEGA 8 - FAN HOUSING ASSY	1
1.3.1	244-57-00-404	CHT BAND	1
1.3.2	244-57-00-408	CHT HOUSING BAND CAP	1
1.3.3	244-39-00-375	DISCHARGE TUBE	1
1.3.4	244-57-00-405	CHT BOOT END PLATE	1
1.3.5	244-57-00-406	CHT SIDE PLATE	1
1.3.6	244-57-00-407	CHT GUSSET	1
1.3.7	244-39-00-385	INNER HOUSING BAND	1
1.3.8	508-03-01-011	OMEGA 8 HOUSING BOLT FLANGE	1
1.3.9	508-03-01-010	OMEGA 8 HOUSING BACK PLATE	1
1.4	508-03-02-000	OMEGA 8 - COVER PLATE ASSY	1
1.4.1	250-04-03-012	FOOT END	1
1.4.2	508-03-02-013	OMEGA 8 COVER PLATE	1
1.4.3	508-03-02-014	OMEGA 8 BACKER PLATE	1
1.4.4	508-03-02-024	OMEGA FOOT TUBE	1
2	244-34-00-000	IMPELLER ASSY	1
2.1	244-18-00-331	IMPELLER SLEEVE	1
2.2	244-34-00-358	CHT IMPELLER BACK PLATE	1
2.3	244-34-00-359	CHT IMPELLER BLADE	4

H-5 FLOOR & WALL MOUNT FRAME



**FLOOR FRAME KIT
244-21-00-000**

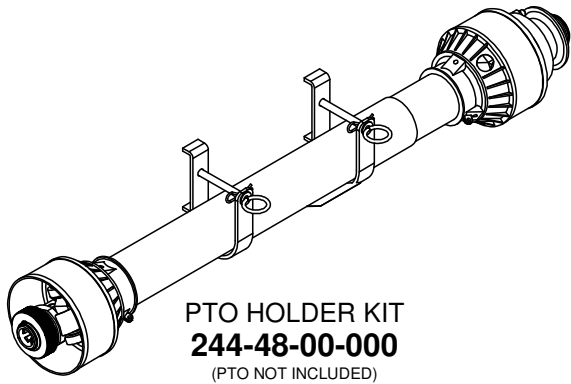
PARTS LIST				PARTS LIST			
ITEM	PART NUMBER	DESCRIPTION	QTY	ITEM	PART NUMBER	DESCRIPTION	QTY
1	244-21-01-000	FLOOR FRAME ASSY	1	2.1.3	244-21-01-418	LH FLOOR FRAME ANGLE	1
1.1	244-21-01-419	SHAFT TUBE CLAMP BRKT	1	2.1.4	250-91-55-262	FLOOR BRACKET BRACE	1
1.2	244-21-01-417	RH FLOOR FRAME ANGLE	1	2.1.5	244-21-01-420	GUSSET	2
1.3	244-21-01-418	LH FLOOR FRAME ANGLE	1	2.2	242-18-15-103	CONTROL VALVE STAND TUBE	1
1.4	250-91-55-262	FLOOR BRACKET BRACE	1	2.3	242-18-15-104	CONTROL VALVE PLATE	1
1.5	244-21-01-420	GUSSET	2	2.4	242-18-15-106	STANDTUBE GUSSET	2
2	244-21-02-000	FLOOR FRAME W/ STAND ASSY	1	3	R07629	7/16 x 1 1/2 HEX BOLT	6
2.1	244-21-01-000	FLOOR FRAME ASSY	1	4	R07804	7/16 LOCK WASHER	6
2.1.1	244-21-01-419	SHAFT TUBE CLAMP BRKT	1	5	R07784	7/16 HEX NUT	6
2.1.2	244-21-01-417	RH FLOOR FRAME ANGLE	1				



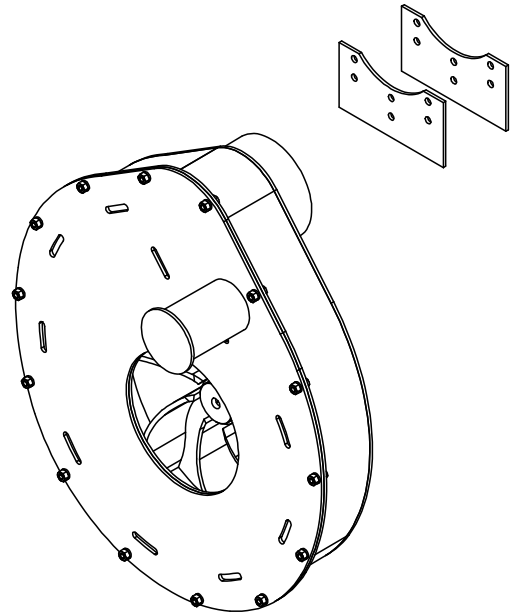
**WALL MOUNT KIT
242-44-00-000**

PARTS LIST			
ITEM	PART NUMBER	DESCRIPTION	QTY
1	242-44-01-000	WALL BRKT ASSY	1
1.1	242-44-01-379	INNER WALL PLATE	1
1.2	244-21-01-419	SHAFT TUBE CLAMP BRKT	1
1.3	242-44-01-380	SPACER PLATE	2
1.4	242-44-01-457	CONTROL VALVE TUBE	1
1.5	242-18-15-104	CONTROL VALVE PLATE	1
2	244-21-01-419	SHAFT TUBE CLAMP BRKT	1
3	242-44-00-381	OUTER WALL BRACKET	1
4	242-44-00-456	5/8" REDDI THREAD	3
5	R07629	7/16 x 1 1/2 UNC HEX BOLT	6
6	R07804	7/16" LOCK WASHER	6
7	R07784	7/16-14 UNC HEX NUT	6
8	R07777	1/2 x 1 1/2 UNC CARRIAGE BOLT	3
9	R07805	1/2" LOCK WASHER	9
10	R07785	1/2-13 UNC HEX NUT	9
11	R07844	1/2 X 2 3/4" ANCHOR STUD	3

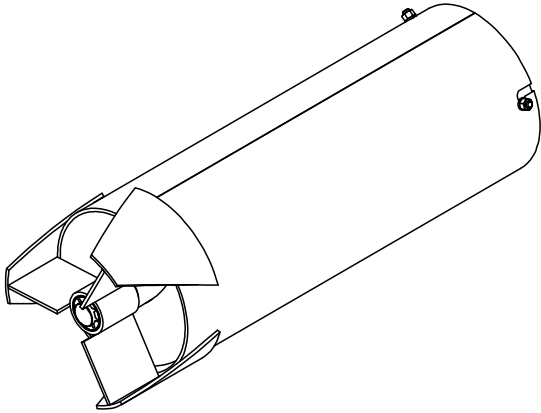
H-5 OPTIONS



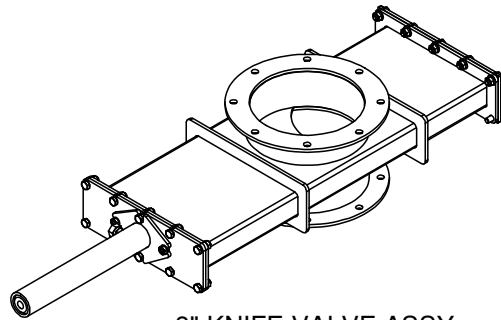
PTO HOLDER KIT
244-48-00-000
(PTO NOT INCLUDED)



H.P. FAN & HOUSING KIT
246-55-00-000



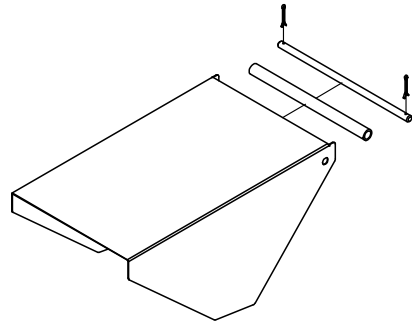
3FT AUGER EXTENSION KIT
244-92-00-000



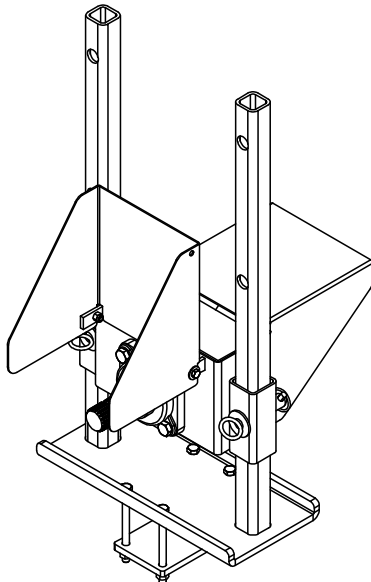
8" KNIFE VALVE ASSY
244-89-00-000



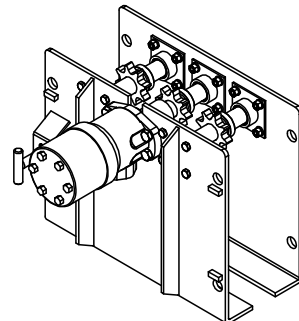
COOLING FAN ASSY
244-98-00-000



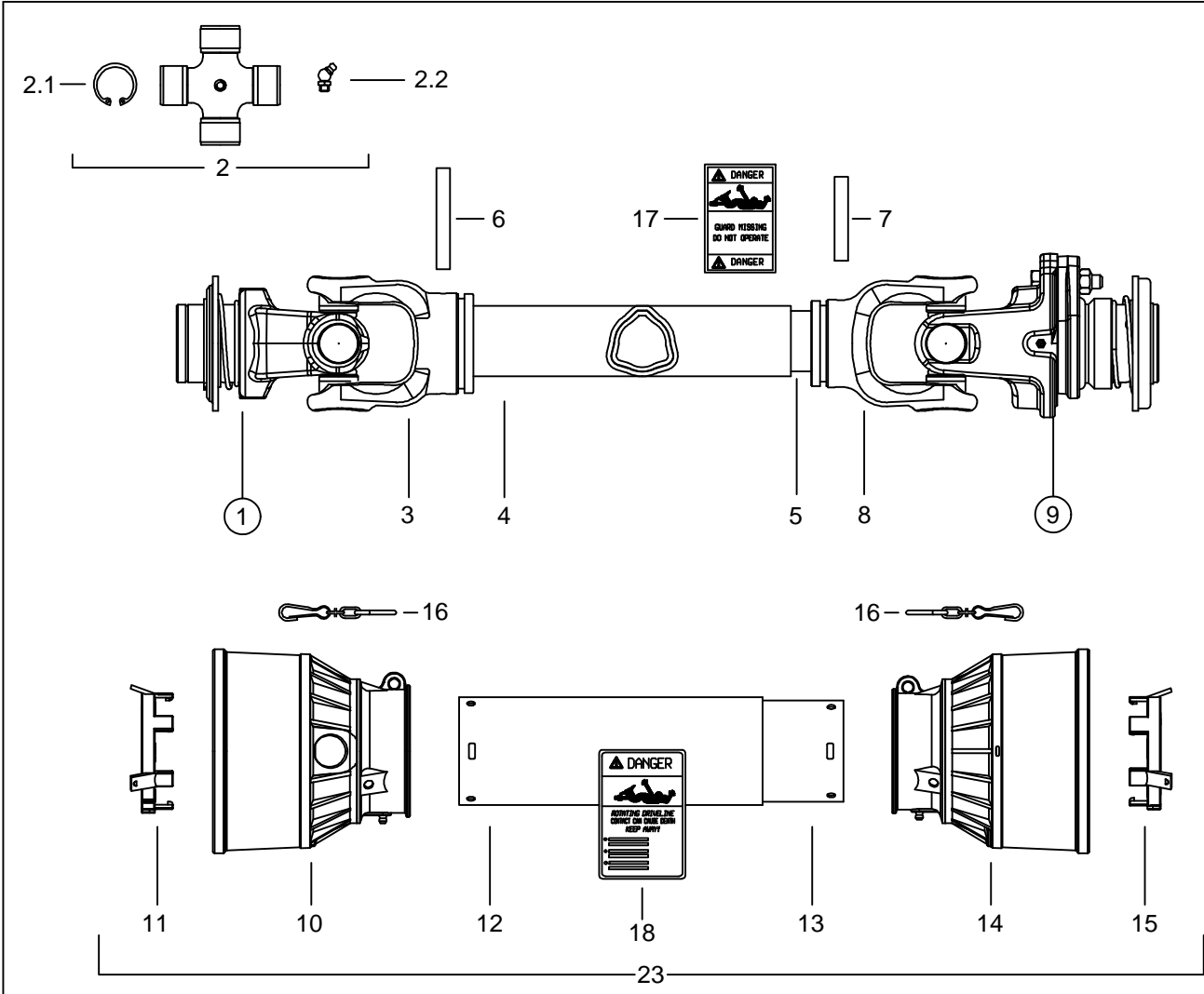
RAIN COVER KIT
286-29-00-000



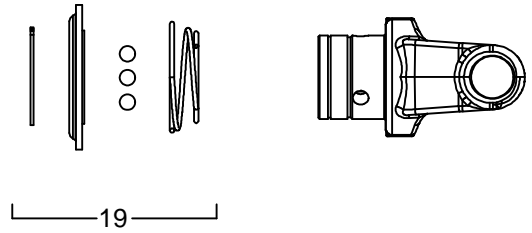
JACK SHAFT ASSY
246-01-00-000



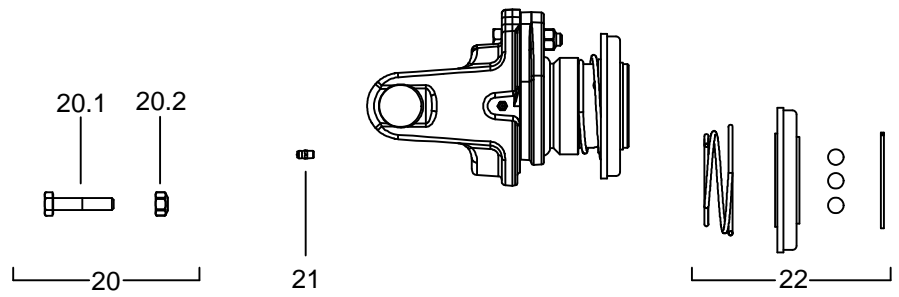
POSITIVE DRIVE KIT
286-30-00-000



①



⑨



PTO - H5-H10-PL490

R21606 - 1 3/8" 6 TOOTH - 540 RPM (STANDARD)

R21607 - 1 3/8" 21 TOOTH - 1000 RPM

R21649 - 1 3/4" 20 TOOTH - 1000 RPM

PARTS LIST				
ITEM	MFG NUMBER	PART NUMBER	DESCRIPTION	QTY
1	5720M0355	R22330	1 3/8" - 6 TOOTH QD YOKE w/ SLEEVES 540 rpm	1
	5720M3755	R22332	1 3/8" - 21 TOOTH QD YOKE w/ SLEEVES 1000 rpm	1
	5720M3855	R22333	1 3/4" - 20 TOOTH QD YOKE w/ SLEEVES 1000 rpm	1
2	4120M0011R20	R21614	CROSS KIT - S9 34.9x106	2
2.1	338023000	R21621	CIRCLIP	8
2.2	348004000	R21655	GREASE NIPPLE - 45°	2
3	204086860	R21620	YOKE - #8 OUTER TUBE	1
4	225730805	R21615	CARDAN DRIVE TUBE - INNER	1
5	225690805	R21616	CARDAN DRIVE TUBE - OUTER	1
6	341054000R10	R21613	FLEXIBLE PIN - OUTER 12x90mm	1
7	341055000R10	R21612	FLEXIBLE PIN - INNER 12x75mm	1
8	204086861	R21619	YOKE - #8 INNER TUBE	1
9	6060M3903R	R22331	1 3/4" - 27 TOOTH TORQUE LIMITER w/ SLIDE COLLAR	1
10	517080130	R21610	OUTER SHIELD CONE #8-9	1
11	255080005R02	R21609	OUTER SHIELD SUPPORT #8-9-10	1
12	236850732	R21618	CM SAFETY TUBE - OUTER	1
13	236840732	R21617	CM SAFETY TUBE - INNER	1
14	517080120	R21611	INNER SHIELD CONE #8-9	1
15	255080006R02	R21608	INNER SHIELD SUPPORT #8-9-10	1
16	252000050R02	R21738	SHIELD TIE CHAIN	2
17	399143000	R21523	"SHIELD MISSING" DECAL	1
18	399141000	R21521	"ROTATING DRIVE LINE" DECAL	1
19	435000322R	N/A	BALL COLLAR KIT - 1 3/8" S8/S9-RT	1
20	-	244-41-00-000	5-PACK SHEAR BOLT KIT	
20.1	-	R21602	M12-1.75x65 METRIC HEX BOLT - CL 8.8 (NOT FOR INDIVIDUAL SALE)	1
20.2	-	R21604	M12-1.75 METRIC NYLOCK NUT (NOT FOR INDIVIDUAL SALE)	1
21	348017000R20	R21687	GREASE NIPPLE - M6x1 STRAIGHT	1
22	435000418R	R22723	RT BALL COLLAR KIT - 1 3/4" S5/S9	1
23	5F08099FFUC	R21629	SAFETY GUARD COMPLETE	1

GUARANTEE

All Husky Farm Equipment manufactured by Husky Farm Equipment Limited is guaranteed. Guarantee covers all the replacement cost or repair of all parts said to be defective from manufacture. Guarantee also covers labour installing said parts, if installed at Husky Manufacturing plant. Time and use is the essence of the guarantee. If equipment is used on a private property for an individual's use, guarantee will be in effect for twelve months from date of invoice. If equipment is used for commercial use to do custom work for money then guarantee will be in effect for three months only from date of invoice.

EXEMPTIONS FROM GUARANTEE

Cost of transportation of equipment to or from Husky Farm Equipment Limited either by customer or by Husky's service staff or cost of mail or public transportation is not covered. Tires and electric or hydraulic motors are covered by manufacturer's warranty and although Husky may assist to get warranty, Husky will not be responsible other than that allowed by manufacturer's warranty. Items subject to normal wear from use not covered by guarantee if faulty part is simply worn.