

Date Purchased _____ Machine Serial No. _____

Size of Pump _____ Options _____

The key number system in this parts book is arranged as follows:

- ◎ - Key numbers with two circles denotes main assemblies.
- - Key numbers with one circle are individual parts

Please order parts by number



H-10000

H-10000 VERTICAL PIT PUMP – 8ft ▪ 286-00-00-000

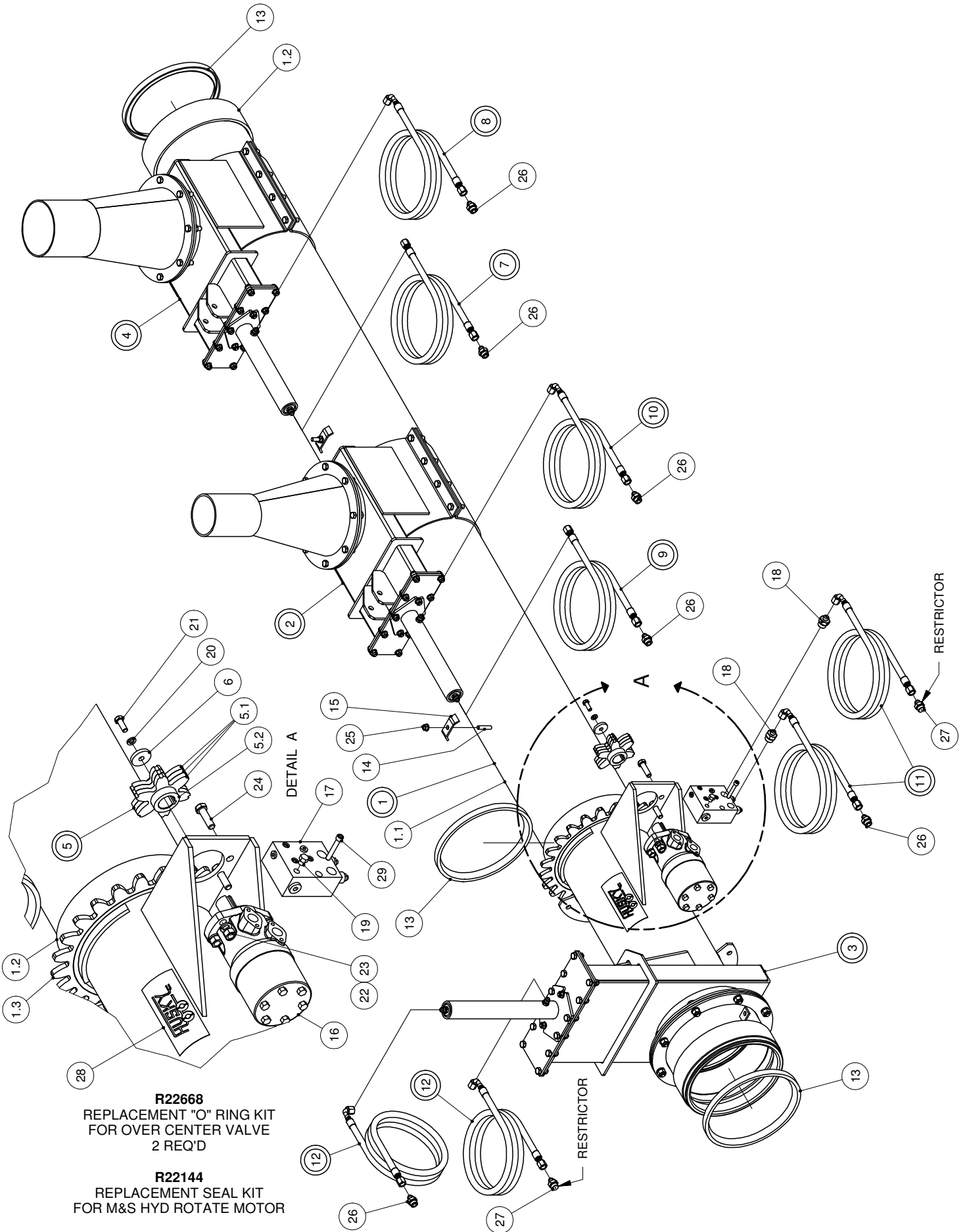
H-10000 VERTICAL PIT PUMP – 10ft ▪ 287-00-00-000

H-10000 VERTICAL PIT PUMP – 12ft ▪ 288-00-00-000

OPERATING INSTRUCTIONS:

1. Read operators manual and always follow the safety instructions. Never attempt any repairs while machine is operating or while installed in pit.
2. Do not leave pump in manure pit – remove pump from pit – wash off and coat with old oil or diesel fuel.
3. Do not over rev. tractor while pumping as discharge spout will lift into air. Always tie down spout.
4. The (Polyurethane) marine bearing at the bottom of the pump is lubricated with manure or water. If the level of the liquid is below the bearing and you are running for long periods put a water hose in the top of the standpipe.
5. Always fill all hydraulic motors and cylinders with oil before installing in pit.
6. Every 6 months drive shaft knuckle must be greased. Grease wooden bearings daily.
7. **EXTREME DANGER** – Never enter a dirty manure spreader or storage tank – one breath of hydrogen sulphide gas is enough to kill. Have a ladder in your pit, so that if by accident you should fall in, you can get out.
8. For open centre hydraulic tractors, use short plug on right hand end of hydraulic valve. For closed centre hydraulics use long plug with O ring. (Oil must flow in left hand end of valve).

H-10000 STANDPIPE



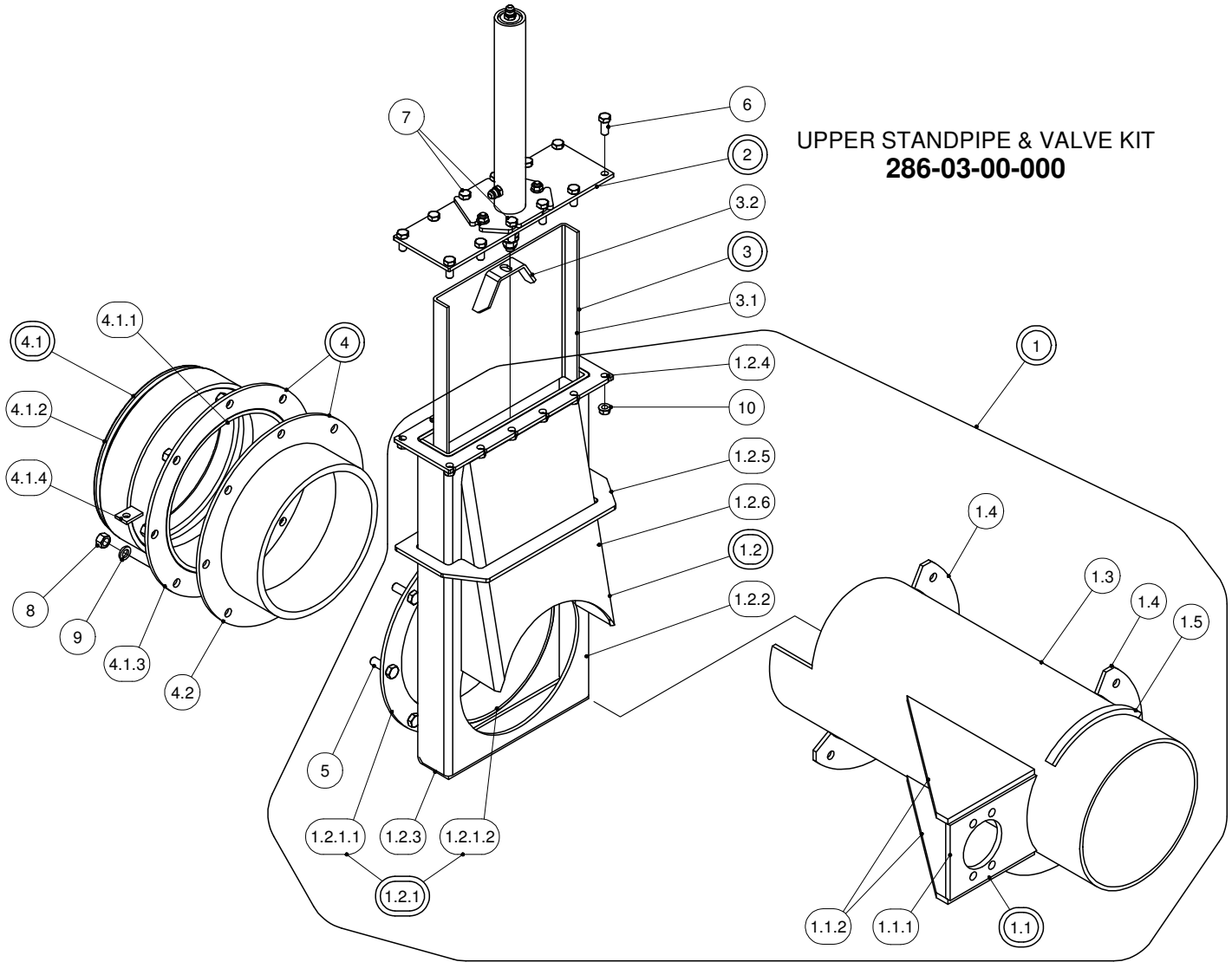
R22668
 REPLACEMENT "O" RING KIT
 FOR OVER CENTER VALVE
 2 REQ'D

R22144
 REPLACEMENT SEAL KIT
 FOR M&S HYD ROTATE MOTOR

H-10000 STANDPIPE

PARTS LIST			
ITEM	PART NUMBER	DESCRIPTION	QTY
1	286-02-00-000	STANDPIPE ASSY - 8FT MODEL	1
	287-14-00-000	STANDPIPE ASSY - 10FT MODEL	1
	288-16-00-000	STANDPIPE ASSY - 12FT MODEL	1
1.1	286-02-00-009	STANDPIPE - 8FT MODEL	1
	287-14-00-048	STANDPIPE - 10FT MODEL	1
	288-16-00-050	STANDPIPE - 12FT MODEL	1
1.2	286-02-00-010	GASKET SLEEVE	2
1.3	286-02-00-011	LARGE DIRVE SPROCKET	1
2	286-07-00-000	FLANGED VALVE AND CONE COMPLETE	1
3	286-03-01-012	UPPER STANDPIPE AND VALVE KIT	1
4	286-08-00-000	LOWER VALVE AND CONE COMPLETE	1
5	286-24-00-000	6 TOOTH SPROCKET ASSY-BIG MOTOR	1
5.1	286-24-00-085	6 TOOTH SPROCKET-2" BORE	3
5.2	286-24-00-086	SPROCKET HUB	1
6	286-00-00-113	H 10 MOTOR SLEEVE CAP	1
7	244-77-00-000	HYD HOSE ASSY-CONTROL TO LOWER AGITATOR-8FT (PISTON SIDE)	1
	244-78-00-000	HYD HOSE ASSY-CONTROL TO LOWER AGITATOR-10FT (PISTON SIDE)	1
	244-79-00-000	HYD HOSE ASSY-CONTROL TO LOWER AGITATOR-12FT (PISTON SIDE)	1
8	242-46-00-000	HYD HOSE ASSY-CONTROL TO LOWER AGITATOR-8FT (ROD SIDE)	1
	244-47-00-000	HYD HOSE ASSY-CONTROL TO LOWER AGITATOR-10FT (ROD SIDE)	1
	246-56-00-000	HYD HOSE ASSY-CONTROL TO LOWER AGITATOR-12FT (ROD SIDE)	1
9	244-76-00-000	HYD HOSE ASSY-CONTROL TO TOP AGITATOR-ALL SIZES (PISTON SIDE)	1
10	244-55-00-000	HYD HOSE ASSY-CONTROL TO TOP AGITATOR-ALL SIZES (ROD SIDE)	1
11	244-70-00-000	HYD HOSE ASSY-CONTROL TO ROTATE-8FT	2
	244-71-00-000	HYD HOSE ASSY-CONTROL TO ROTATE-10FT	2
	244-72-00-000	HYD HOSE ASSY-CONTROL TO ROTATE-12FT	2
12	244-68-00-000	HYD HOSE ASSY-CONTROL TO SHUTOFF-8FT	2
	244-75-00-000	HYD HOSE ASSY-CONTROL TO SHUTOFF-10FT	2
	244-78-00-000	HYD HOSE ASSY-CONTROL TO SHUTOFF-12FT	2
13	R02849	10" RW GASKET	3
14	R08302	3/8-16 UNC x 1 5/8" WELD STUD	2
15	290-00-00-167	HYDRAULIC HOSE CLIP	2
16	R22164	DANFOSS HYD MOYOR-OMH500	1
17	R22256	OVER CENTER VALVE - M&S MOTOR	1
18	R23094	ORB-10 x 3/8" JIC M ADAPTOR	2
19	R22258	7/16-20 SAE PLUG	1
20	R07803	3/8" LOCK WASHER	1
21	R07619	3/8 x 1 UNC HEX BOLT	1
22	R07805	1/2" LOCK WASHER	4
23	R07785	1/2-13 UNC HEX NUT	4
24	R08454	1/2 x 1 3/4 UNC HEX BOLT	4
25	R07794	3/8-16 UNC FLANGE NUT	2
26	R23091	ORB-8 X 3/8" JIC M ADAPTOR	6
27	R23191	3/8" JIC M x ORB-8 M RESTRICTOR	2
28	R09671	"HUSKY" DECAL	1
29	R08334	5/16-18 x 2 SOCKET HD CAP SCREW	4

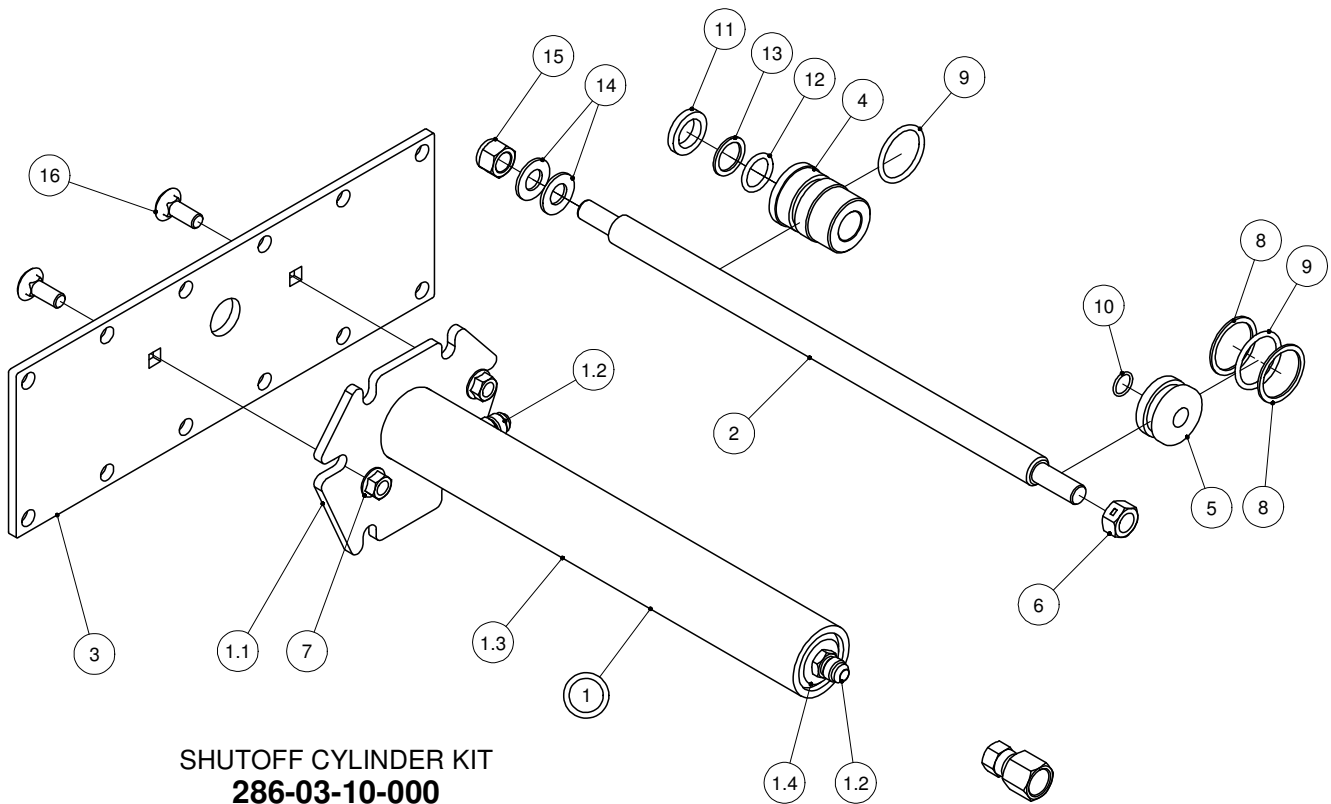
UPPER STANDPIPE & VALVE KIT



UPPER STANDPIPE & VALVE KIT
286-03-00-000

PARTS LIST				PARTS LIST			
ITEM	PART NUMBE	DESCRIPTION	QT	ITEM	PART NUMBE	DESCRIPTION	QT
1	286-03-03-000	HYDRAULIC VALVE BODY ASSY	1	3	286-03-08-000	VALVE GATE ASSY	1
1.1	286-21-00-000	MOTOR MOUNT PLATE ASSY - LG MOTOR	1	3.1	286-03-08-027	VALVE GATE	1
1.1.1	286-21-00-063	MOTOR MOUNT PLATE - LARGE MOTOR	1	3.2	286-03-08-028	VALVE GATE BRKT	1
1.1.2	286-21-00-064	MOUNT PLATE GUSSET	2	4	286-04-00-000	VALVE SEAL AND OUTLET KIT	1
1.2	286-03-06-000	VALVE BODY ASSY	1	4.1	286-04-01-000	OUTER EXTENSION PIPE ASSY	1
1.2.1	286-03-07-000	FLANGE ASSY	1	4.1.1	286-04-00-030	OUTER EXTENSION PIPE	1
1.2.1.1	286-03-07-025	FLANGE	1	4.1.2	286-04-00-029	UPPER COUPLING BASE	1
1.2.1.2	286-03-07-026	OUTLET TUBE	1	4.1.3	286-03-07-025	FLANGE	1
1.2.2	286-03-06-021	VALVE BODY LOWER	1	4.1.4	250-96-00-298	CHAIN LUG	1
1.2.3	286-03-06-020	VALVE BODY-TOP	1	4.2	286-04-02-000	INNER EXT SEAL ASSY w/ URETHENE	1
1.2.4	286-03-06-022	VALVE FLANGE	1	5	R07638	1/2 x 1 1/2 UNC HEX BOLT	8
1.2.5	286-03-06-024	REINFORCING FLANGE	1	6	R07628	7/16 x 1 UNC HEX BOLT	8
1.2.6	286-03-06-023	TAPERED INLET	1	7	R07671	7/16 x 1 1/4 UNC HEX BOLT	4
1.3	286-03-01-012	FIXED UPPER STANDPIPE	1	8	R07785	1/2-13 UNC HEX NUT	8
1.4	286-03-01-013	STANDPIPE HOLD DOWN BRKTS	2	9	R07805	1/2" LOCK WASHER	8
1.5	286-03-09-070	STOP RING	1	10	R07794	3/8-16 UNC FLANGE NUT	12
2	286-03-10-000	HYDRAULIC CYLINDER ASSY-JIC	1				

HYDRAULIC CYLINDER KIT-10"



**SHUTOFF CYLINDER KIT
286-03-10-000**

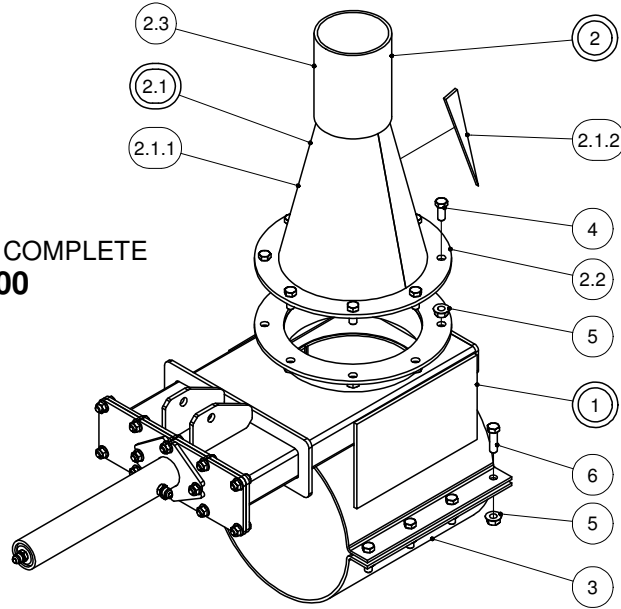
SEAL REPLACEMENT KIT - 508-12-00-000

R23215
3/8" JIC F x 3/8" NPT SW ADAPTER
MUST BE USED WHEN REPLACING
CYLINDER ON ANY MACHINE PRIOR
TO 2011 - 2 pcs REQ'D

PARTS LIST			
ITEM	PART NUMBER	DESCRIPTION	QTY
1	286-03-11-000	HYDRAULIC CYLINDER TUBE ASSY-JIC	1
1.1	286-03-05-016	CYLINDER TUBE FLANGE	1
1.2	R23151	3/8" M. JIC WELD FITTING	2
1.3	286-03-11-114	1 1/2" x 8" CYL TUBE - JIC	1
1.4	508-09-01-041	CYL END CAP - JIC	1
2	286-03-04-018	CYLINDER SHAFT	1
3	286-03-04-019	FLANGE	1
4	508-09-00-039	WIPER BLOCK - JIC	1
5	340-36-00-435	CYLINDER PLUNGER	1
6	R07885	1/2-13 UNC 2-WAY LOCK NUT	1
7	R07794	3/8-16 UNC FLANGE NUT	2
8	R20867	BACKUP RING #8-218	2
9	R20866	O-RING #11-218	2
10	R20865	O-RING #11-014	1
11	R20774	3/4" HYTREL ROD WIPER 52-750	1
12	R20771	O-RING #11-210	1
13	R20862	3/4" BACKUP #210	1
14	R08222	1/2" SAE S.S. FLAT WASHER	2
15	R08229	1/2" S.S. NYLOC HEX NUT	1
16	R07721	3/8 x 1 UNC CARRIAGE BOLT	2

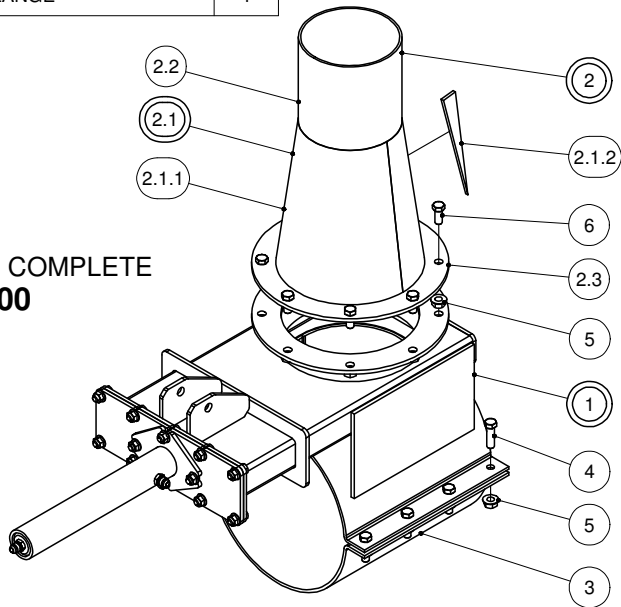
UPPER & LOWER VALVE & CONE COMPLETE-10in

UPPER VALVE & CONE COMPLETE 286-07-00-000



PARTS LIST				PARTS LIST			
ITEM	PART NUMBER	DESCRIPTION	QTY	ITEM	PART NUMBER	DESCRIPTION	QTY
1	286-07-02-000	VALVE AND FLANGE ASSY	1	2.3	242-20-53-397	UPPER CONE EXTENSION PIPE	1
2	242-20-53-000	UPPER CONE AND FLANGE ASSY	1	3	286-07-00-042	LOWER CLAMP ON BRKT	1
2.1	242-20-29-000	UPPER CONE ASSY	1	4	R07628	7/16 x 1 UNC HEX BOLT	8
2.1.1	242-20-29-244	UPPER DISCHARGE CONE	2	5	R07879	7/16-14 UNC FLANGE NUT	16
2.1.2	242-07-00-046	CONE RIBS	4	6	R07629	7/16 x 1 1/2 UNC HEX BOLT	8
2.2	242-58-48-285	DEFLECTOR FLANGE	1				

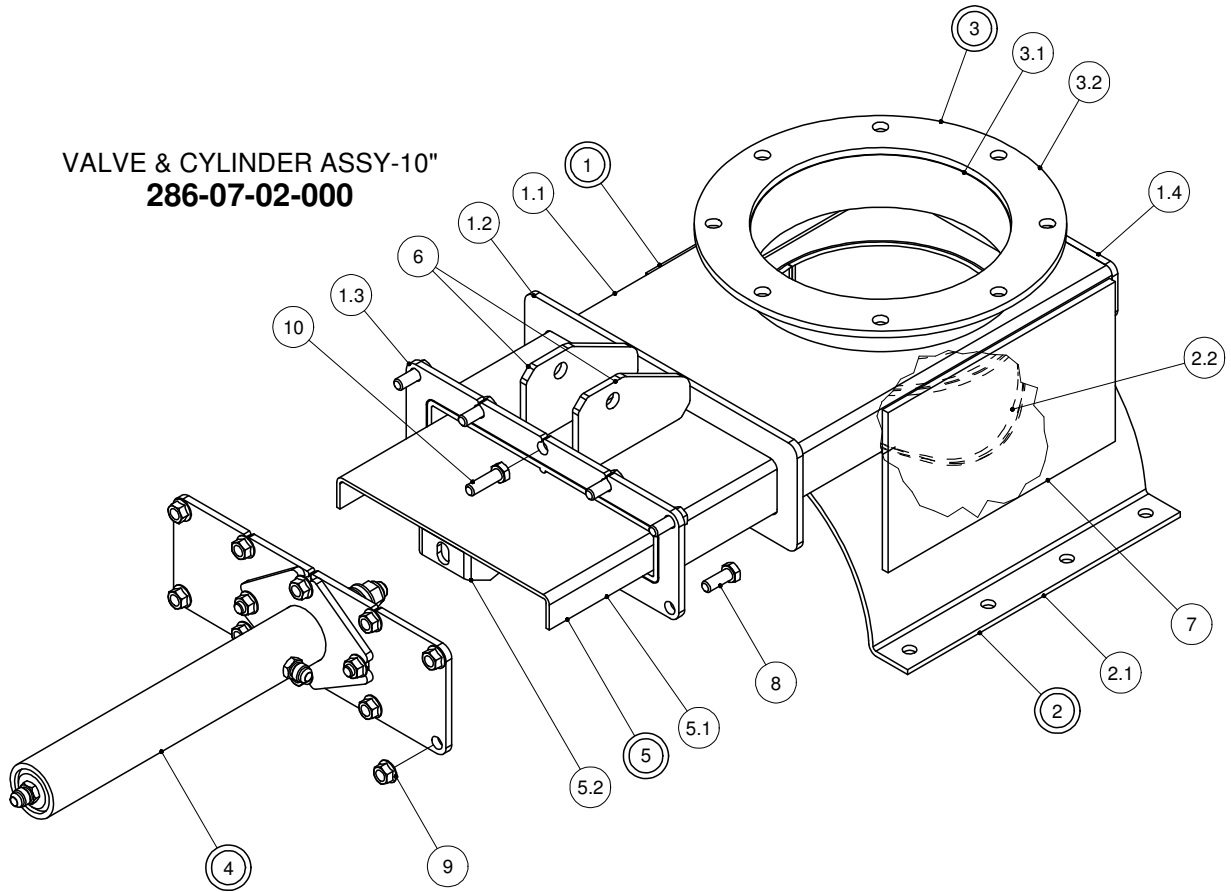
LOWER VALVE & CONE COMPLETE 286-08-00-000



PARTS LIST				PARTS LIST			
ITEM	PART NUMBER	DESCRIPTION	QTY	ITEM	PART NUMBER	DESCRIPTION	QTY
1	286-07-02-000	VALVE AND FLANGE ASSY	1	2.3	242-58-48-285	DEFLECTOR FLANGE	1
2	244-16-03-000	LOWER CONE AND FLANGE ASSY	1	3	286-07-00-042	LOWER CLAMP ON BRKT	1
2.1	242-93-23-000	LOWER CONE ASSY	1	4	R07629	7/16 x 1 1/2 UNC HEX BOLT	8
2.1.1	242-93-23-226	DISCHARGE CONE	2	5	R07879	7/16-14 UNC FLANGE NUT	16
2.1.2	242-07-00-046	CONE RIBS	4	6	R07628	7/16 x 1 UNC HEX BOLT	8
2.2	242-93-40-398	LOWER CONE EXTENSION	1				

VALVE & CYLINDER ASSY-10"

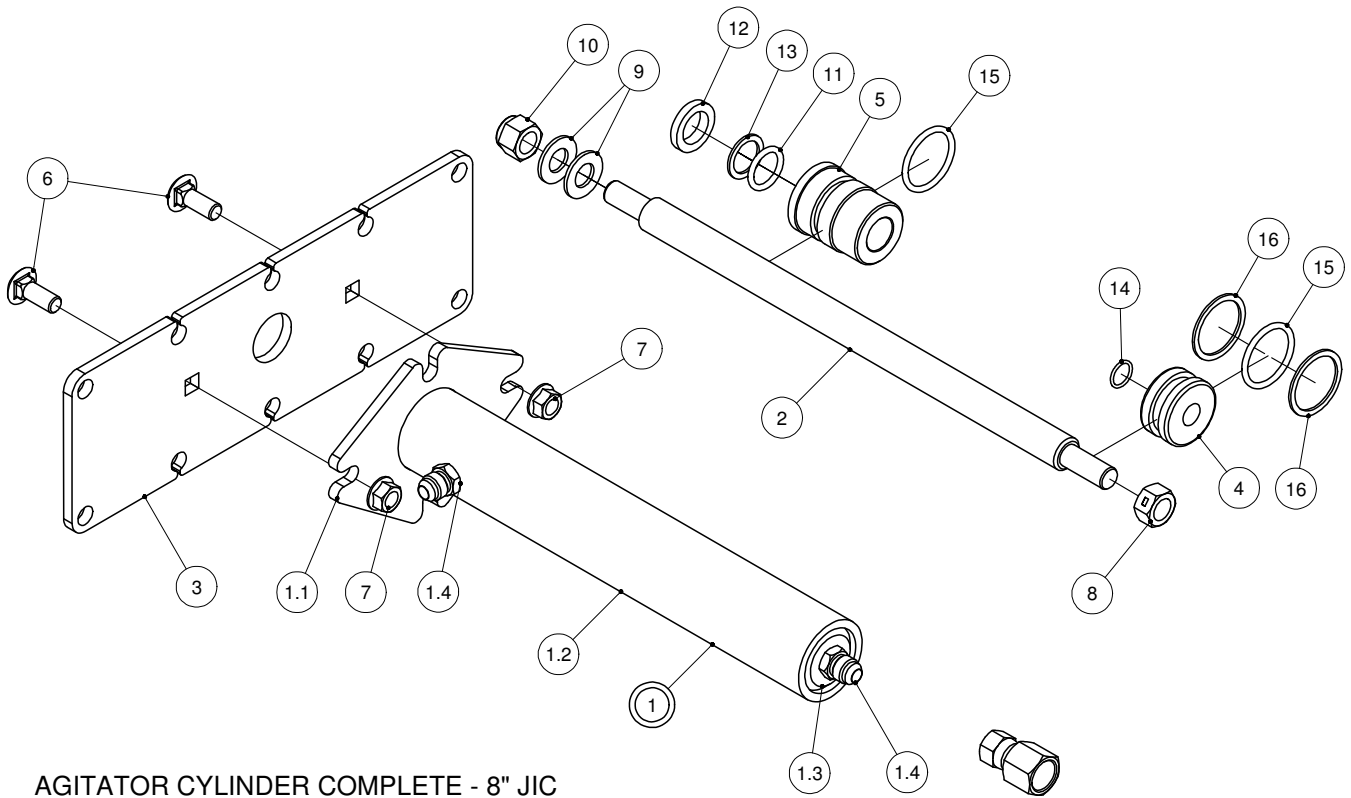
VALVE & CYLINDER ASSY-10"
286-07-02-000



PARTS LIST

ITEM	PART NUMBER	DESCRIPTION	QTY
1	244-14-01-000	VALVE BODY ASSY	1
1.1	244-14-01-323	VALVE BODY	1
1.2	244-14-01-324	VALVE BODY SUPPORT	1
1.3	242-97-00-231	VALVE INNER FLANGE	1
1.4	242-97-00-230	VALVE END CAP	1
2	286-07-01-000	VALVE CLAMP & BRKT ASSY	1
2.1	286-07-01-040	VALVE CLAMP ON BRACKET	1
2.2	286-07-01-041	VALVE TEE SIDE	1
3	242-20-51-000	UPPER CONE FLANGE ASSY	1
3.1	242-93-23-224	CONE MOUNT	1
3.2	242-58-48-285	DEFLECTOR FLANGE	1
4	508-09-00-000	AGITATOR CYL COMPLETE - 8" JIC	1
5	242-36-42-000	VALVE GATE ASSY	1
5.1	242-36-42-268	VALVE GATE	1
5.2	242-36-42-269	VALVE GATE BRKT	1
6	244-15-03-430	CYLINDER BRKT	2
7	286-07-02-084	REINFORCING SIDE PLATE	2
8	R07619	3/8 x 1 UNC HEX BOLT	8
9	R07794	3/8-16 UNC FLANGE NUT	10
10	R07675	3/8 x 1 1/4 UNC HEX BOLT	2

AGITATOR CYLINDER COMPLETE - 8" JIC



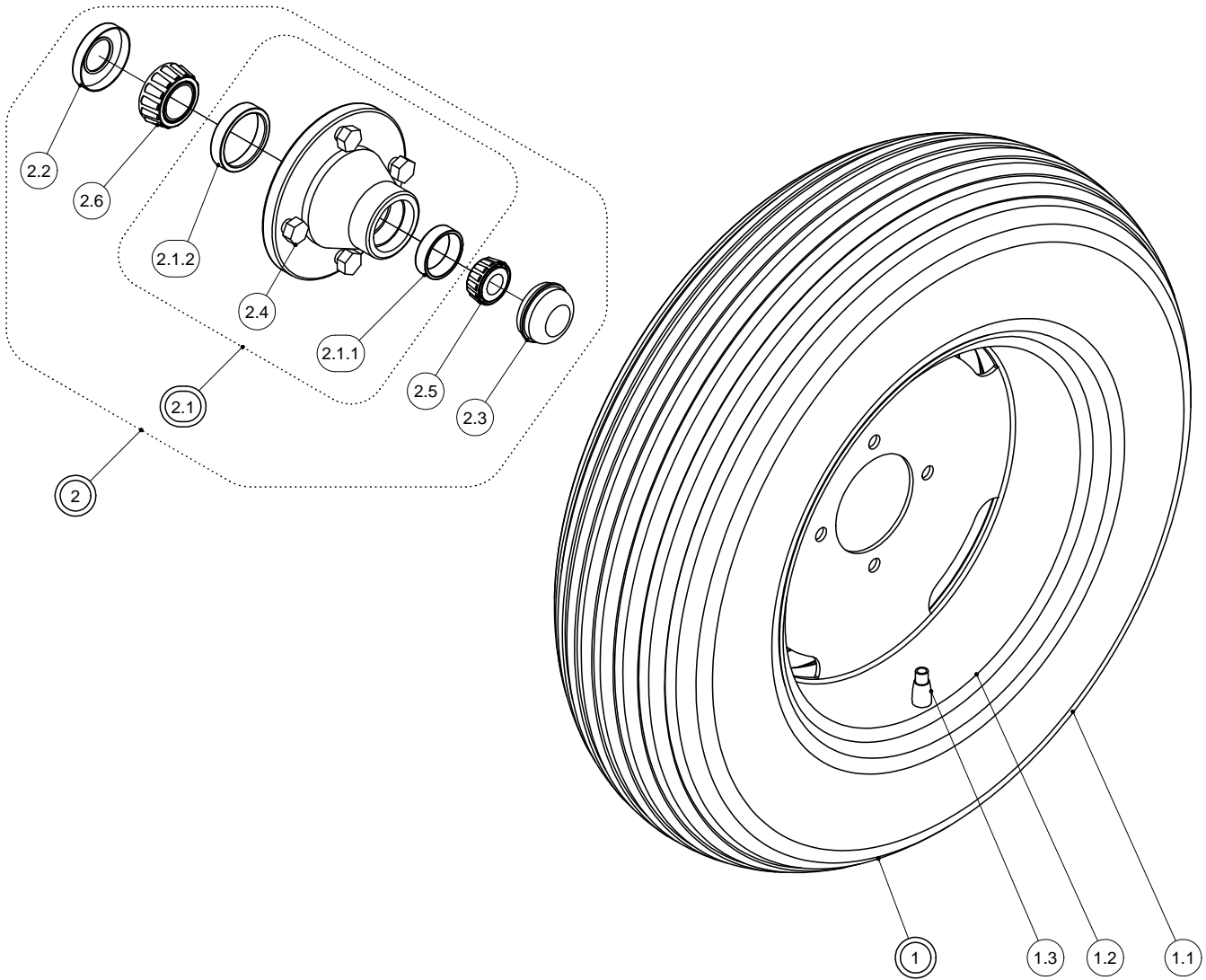
AGITATOR CYLINDER COMPLETE - 8" JIC
508-09-00-000

SEAL REPLACEMENT KIT - 508-12-00-000

R23215
 3/8" JIC F x 3/8" NPT SW ADAPTER
 MUST BE USED WHEN REPLACING
 CYLINDER ON ANY MACHINE PRIOR
 TO 2011 - 2 pcs REQ'D

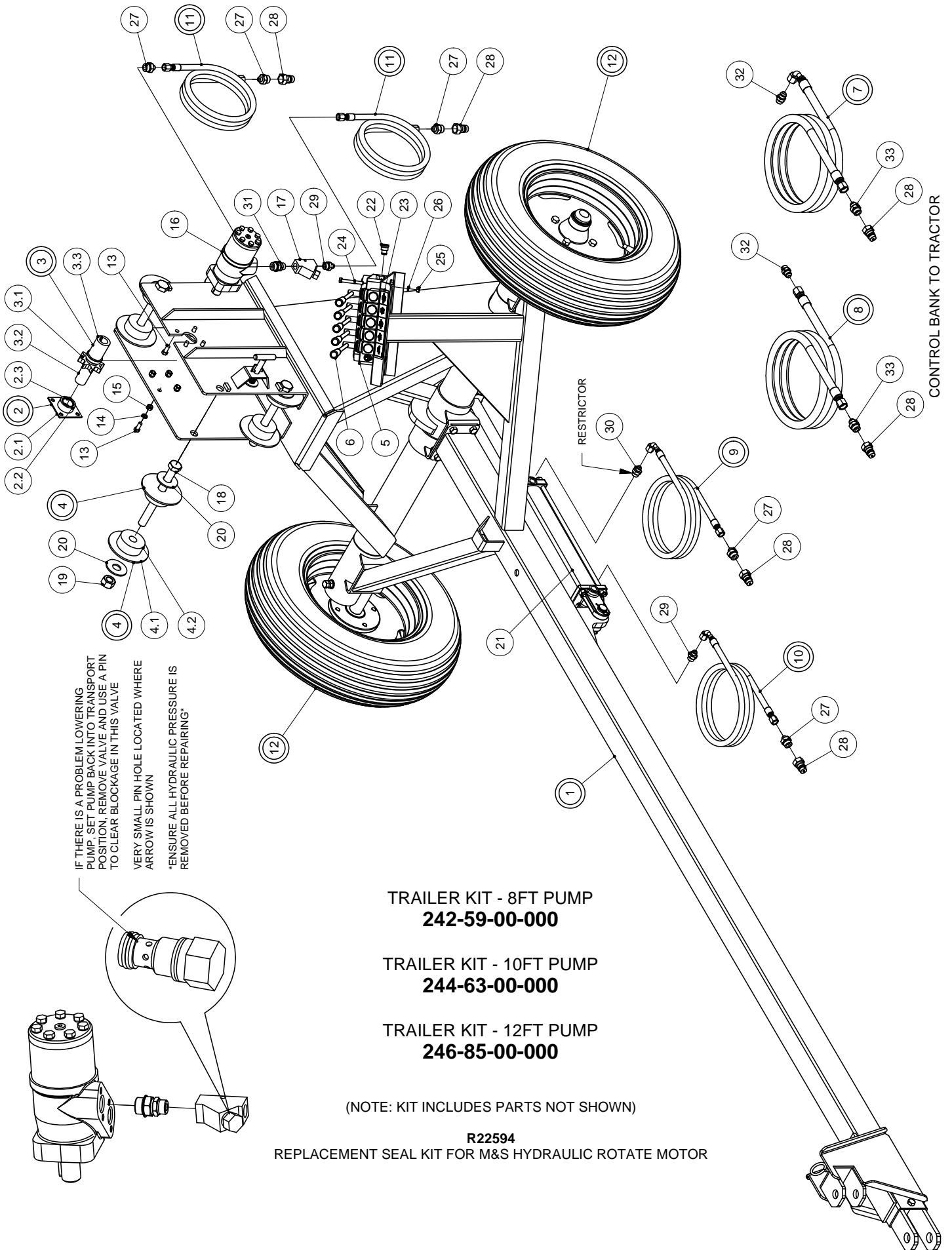
PARTS LIST			
ITEM	PART NUMBER	DESCRIPTION	QTY
1	508-09-01-000	1 1/2" x 8" CYL TUBE ASSY - JIC	1
1.1	244-26-01-344	CYLINDER TUBE FLANGE	1
1.2	508-09-01-040	1 1/2" x 8" CYL TUBE - JIC	1
1.3	508-09-01-041	CYL END CAP - JIC	1
1.4	R23151	3/8" M. JIC WELD FITTING	2
2	244-14-02-325	CYLINDER SHAFT	1
3	244-26-00-345	FLANGE	1
4	340-36-00-435	CYLINDER PLUNGER	1
5	508-09-00-039	WIPER BLOCK - JIC	1
6	R07721	3/8 x 1 UNC CARRIAGE BOLT	2
7	R07794	3/8-16 UNC FLANGE NUT	2
8	R07885	1/2-13 UNC 2-WAY LOCK NUT	1
9	R08222	1/2" SS FLAT WASHER	2
10	R08229	1/2 UNC SS NYLOCK NUT	1
11	R20771	O-RING #11-210	1
12	R20774	3/4" HYTREL ROD WIPER 52-750	1
13	R20862	3/4" BACKUP #210	1
14	R20865	O-RING #11-014	1
15	R20866	O-RING #11-218	2
16	R20867	BACKUP RING #8-218	2

TIRE, WHEEL AND HUB

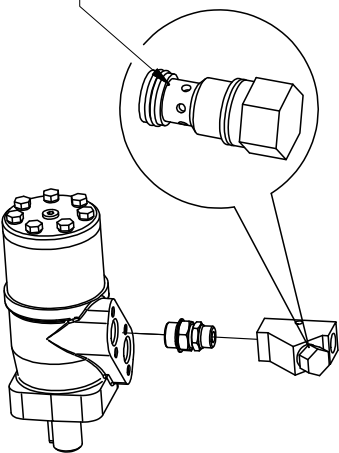


PARTS LIST			
ITEM	PART NUMBER	DESCRIPTION	QTY
1	250-65-00-000	TIRE & WHEEL ASSY - 5.9 x 15	1
1.1	R20016	5.9 x 15 RIB IMPLEMENT TIRE	1
1.2	R20057	4.5 x 15 WHEEL - 4 BOLT	1
1.3	R20020	VALVE STEM	1
2	250-60-30-000	H-411 HUB COMPLETE	1
2.1	R20139	H-411 HUBS w/ CUPS	1
2.1.1	R20130	H411 LM11910 O.CUP	1
2.1.2	R20129	H411 LM67010 I.CUP	1
2.2	R20144	OIL SEAL CRSE11	1
2.3	R20143	DUST CAP	1
2.4	R20145	WB55 1/2 x 1 WHEEL BOLT	4
2.5	R20158	LM11949 OUTER CONE .75" BORE	1
2.6	R20159	LM67048 INNER CONE 1.25" BORE	1

TRAILER COMPLETE



IF THERE IS A PROBLEM LOWERING PUMP, SET PUMP BACK INTO TRANSPORT POSITION, REMOVE VALVE AND USE A PIN TO CLEAR BLOCKAGE IN THIS VALVE VERY SMALL PIN HOLE LOCATED WHERE ARROW IS SHOWN
 ENSURE ALL HYDRAULIC PRESSURE IS REMOVED BEFORE REPAIRING



TRAILER KIT - 8FT PUMP
242-59-00-000

TRAILER KIT - 10FT PUMP
244-63-00-000

TRAILER KIT - 12FT PUMP
246-85-00-000

(NOTE: KIT INCLUDES PARTS NOT SHOWN)

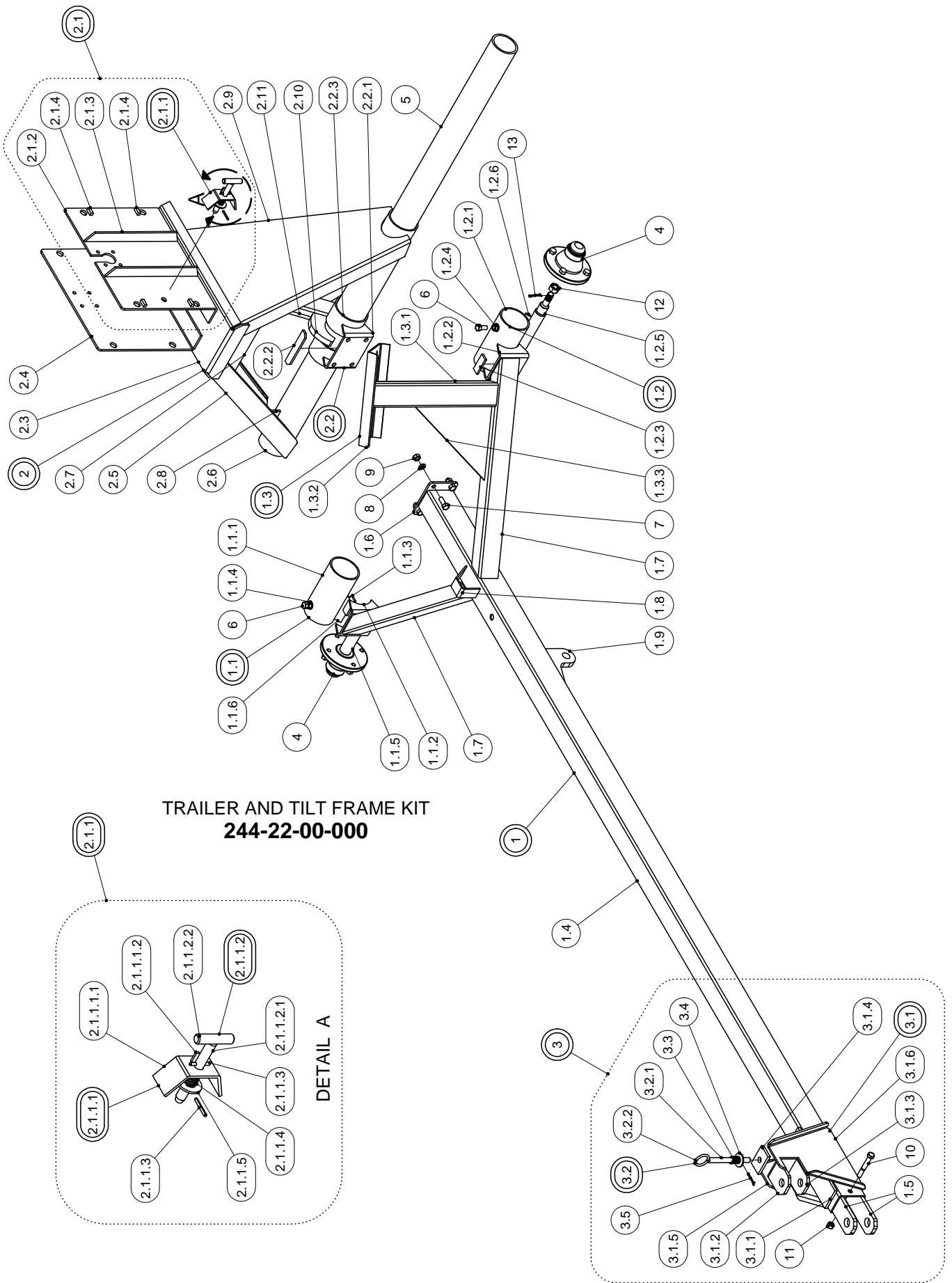
R22594
 REPLACEMENT SEAL KIT FOR M&S HYDRAULIC ROTATE MOTOR

CONTROL BANK TO TRACTOR

TRAILER COMPLETE

PARTS LIST			
ITEM	PART NUMBER	DESCRIPTION	QTY
1	244-22-00-000	TRAILER AND TILT FRAME KIT	1
2	242-26-00-000	BUSHING HOLDER ASSY	1
2.1	242-26-00-133	BUSHING HOLDER PLATE	1
2.2	242-26-00-134	BUSHING HOLDER	1
2.3	R20259	BUSHING 1 1/4 x 1 1/2 x 3/4 LONG	1
3	242-25-00-000	SPROCKET DRIVE ASSY	1
3.1	250-25-00-257	80 B8 SROCKET w/ 1 1/4" BORE	1
3.2	242-25-00-131	SPROCKET SHAFT	1
3.3	242-25-00-132	MOTOR TO SHAFT COUPLING	1
4	242-24-00-000	SPOOL ROLLER ASSY	8
4.1	242-24-00-129	SPOOL END PLATE	1
4.2	242-24-00-128	SPOOL HOLDER	1
5	R22250	5 BANK MONOBLOCK VALVE	1
6	R22251	VALVE HANDLE ASSY	5
7	242-71-00-000	1/2" HYDRAULIC HOSE ASSY	1
8	242-72-00-000	1/2" HYDRAULIC HOSE ASSY	1
9	246-57-00-000	HYD HOSE ASSY-TRACTOR TO TIP CYLINDER	1
10	246-20-00-000	HYD HOSE ASSY-TRACTOR TO TIP CYLINDER	1
11	244-80-00-000	HYD HOSE ASSY-TRACTOR TO ORBIT MOTOR	2
12	250-65-00-000	TIRE & WHEEL ASSY - 5.9 x 15	2
13	R07670	3/8 x 7/8 HEX BOLT	8
14	R07803	3/8 LOCK WASHER	8
15	R07783	3/8 HEX NUT	4
16	R22255	M&S HYDRAULIC MOTOR	1
17	R23330	FLOW CONTROL VALVE - ORB-8	1
18	R07697	7/8 X 9" HEX BOLT	4
19	R08047	7/8 - 2 WAY LOCK NUT	4
20	R07828	1" FLAT WASHER	8
21	R23290	30TH14 HYD CYL-ORB	1
22	R22252	CLOSED CENTRE PLUG M18x1.5	1
23	R09653	CONTROL VALVE STICKER-H5	1
24	R07614	5/16" x 2 1/2 HEX BOLT	3
25	R07782	5/16 HEX NUT	3
26	R07802	5/16 LOCK WASHER	3
27	R23094	ORB-10 x 3/8" JIC M ADAPTOR	5
28	R23182	MALE PIONEER TIP-ORB-10	6
29	R23091	ORB-8 X 3/8" JIC M ADAPTOR	2
30	R23191	3/8" JIC M x ORB-8 M RESTRICTOR	1
31	R23226	ORB-8 x ORB-10 NIPPLE	1
32	R23092	ORB-8 x 1/2" JIC M. ADAPTOR	2
33	R23095	ORB-10 x 1/2" JIC M ADAPTOR	2

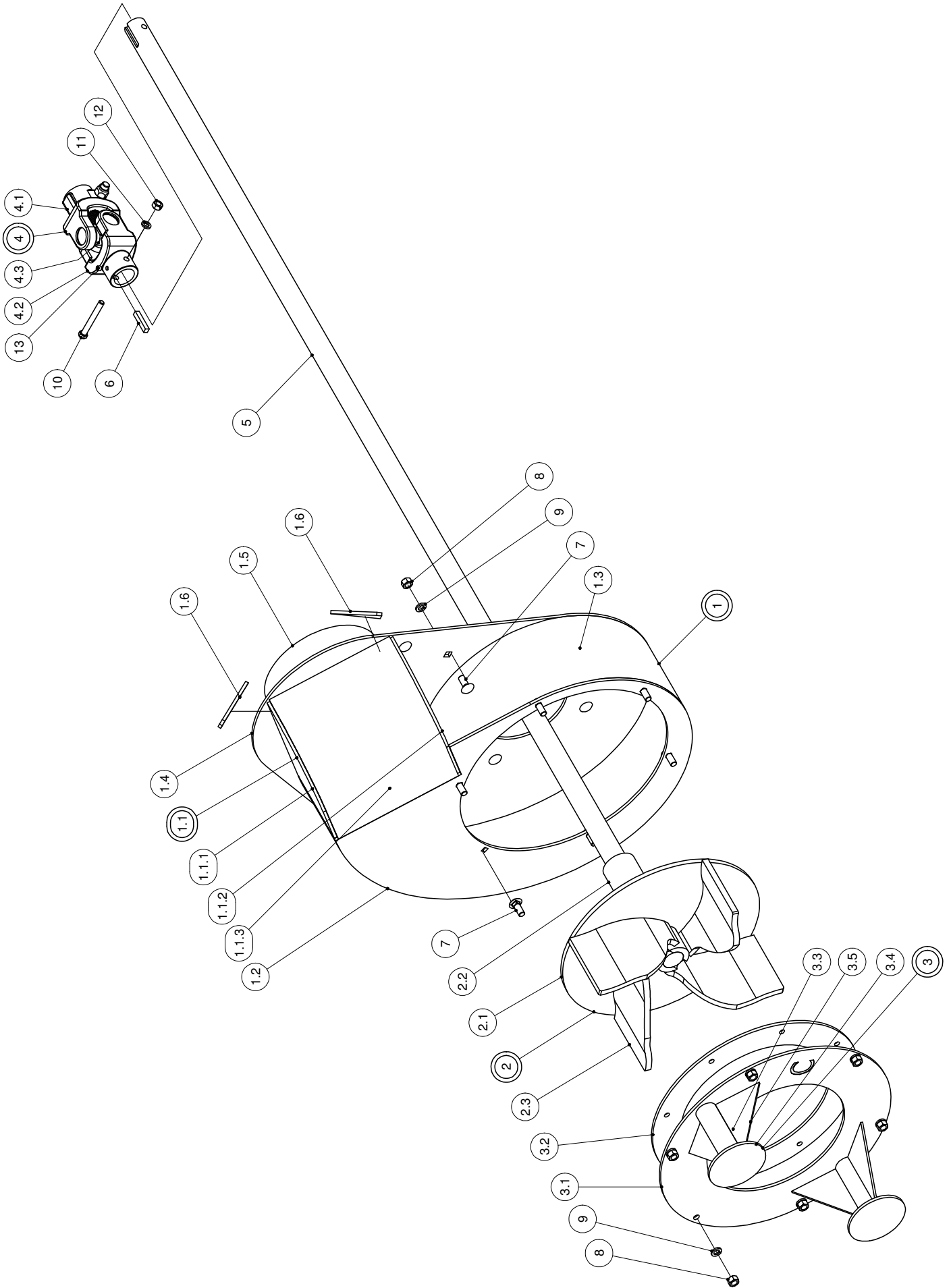
TRAILER & TILT FRAME KIT



TRAILER AND TILT FRAME KIT

PARTS LIST				PARTS LIST			
ITEM	PART NUMBER	DESCRIPTION	QTY	ITEM	PART NUMBER	DESCRIPTION	QTY
1	242-89-00-000	TRAILER ASSY	1	2.1.4	242-17-13-261	STOP BLOCK	4
1.1	242-18-14-000	RH SPINDLE SLEEVE HOLDER	1	2.2	242-19-00-000	TONGUE AXLE BRKT ASSY	1
1.1.1	242-18-00-102	OUTER SLEEVE	1	2.2.1	242-19-00-107	TONGUE AXLE BRKT	1
1.1.2	242-18-14-100	AXLE BRACE BRKT	1	2.2.2	242-19-00-108	REINFORCING BAR	1
1.1.3	242-18-14-101	REINFORCING BAR	1	2.2.3	242-19-00-109	OUTER SLEEVE	2
1.1.4	R07795	1/2" UNC FLANGE NUT	1	2.3	242-17-00-084	TILT FRAME BASE	1
1.1.5	R20141	SPINDLE	1	2.4	242-17-00-083	LH SPOOL HOLDER	1
1.1.6	242-89-00-215	SPINDLE REINFORCING BAR	1	2.5	242-17-00-085	LH SUPPORT ARM	1
1.2	242-18-28-000	LH SPINDLE SLEEVE HOLDER	1	2.6	242-17-00-090	WHEEL SHAFT SLEEVE	1
1.2.1	242-18-00-102	OUTER SLEEVE	1	2.7	242-17-00-088	TILT FRAME GUSSET	1
1.2.2	242-18-14-100	AXLE BRACE BRKT	1	2.8	242-17-00-091	SUPPORT ARM GUSSET	2
1.2.3	242-18-14-101	REINFORCING BAR	1	2.9	242-17-00-086	RH SUPPORT ARM	1
1.2.4	R07795	1/2" UNC FLANGE NUT	1	2.10	242-17-00-089	CYLINDER AXLE BRKT	1
1.2.5	R20141	SPINDLE	1	2.11	242-17-00-087	REINFORCING BARS	2
1.2.6	242-89-00-215	SPINDLE REINFORCING BAR	1	3	244-06-00-000	HITCH KIT	1
1.3	242-18-15-000	CONTROL VALVE STAND ASSY	1	3.1	242-99-00-000	HITCH ASSY	1
1.3.1	242-18-15-103	CONTROL VALVE STAND TUBE	1	3.1.1	242-99-00-238	HITCH BRKT	1
1.3.2	242-18-15-104	CONTROL VALVE PLATE	1	3.1.2	242-99-00-239	UPPER TONGUE PLATE	1
1.3.3	242-18-15-106	STANDTUBE GUSSET	1	3.1.3	242-99-00-240	LOWER TONGUE PLATE	1
1.4	242-18-00-092	TRAILER TUBE	1	3.1.4	242-99-00-242	PIN BRKT	1
1.5	242-89-00-243	TRAILER TUBE TONGUE PLATE	2	3.1.5	242-99-00-245	RH SIDE PLATE	1
1.6	242-18-00-099	TONGUE BRKT	1	3.1.6	242-99-00-241	LH SIDE PLATE	1
1.7	242-18-00-093	FRAME TUBE BRACE	2	3.2	242-98-00-000	DROP PIN ASSY	1
1.8	242-18-00-095	ROLLER CASE STOP	1	3.2.1	242-98-00-233	DROP PIN	1
1.9	242-18-00-096	CYLINDER GUSSET	1	3.2.2	250-00-00-354	1/4 X 1 1/2" RING	1
2	242-17-00-000	"A" FRAME ASSY	1	3.3	R08027	7/8 x 1 3/8 COMP. SPRING	1
2.1	242-17-13-000	RH SPOOL HOLDER ASSY	1	3.4	R07826	5/8 FLAT WASHER	1
2.1.1	242-27-00-000	SIDE LOCK KIT	1	3.5	R08207	5/32 x 1 1/2 S.S. COTTER PIN	1
2.1.1.1	242-17-17-000	SIDE LOCK BRACKET ASSY	1	4	250-60-30-000	H-411 HUB COMPLETE	2
2.1.1.1.1	242-17-17-193	SIDE LOCK BRACKET	1	5	242-00-00-113	INNER AXLE	1
2.1.1.1.2	242-17-17-194	PIN STOP	1	6	R07637	1/2 x 1 HEX BOLT	2
2.1.1.2	242-17-18-000	SIDE LOCK PIN ASSY	1	7	R07674	1/2 x 1 1/4 HEX BOLT	4
2.1.1.2.1	242-17-18-195	SIDE LOCK PIN	1	8	R07805	1/2 LOCK WASHER	4
2.1.1.2.2	242-17-18-196	PIN HANDLE	1	9	R07785	1/2 HEX NUT	4
2.1.1.3	R07943	3/16 x 1 1/2 ROLL PIN	2	10	R07642	1/2 x 3 1/2 HEX BOLT	1
2.1.1.4	R08027	7/8 x 1 3/8 COMP. SPRING	1	11	R07885	1/2 - 2 WAY LOCK NUT	1
2.1.1.5	R07826	5/8 FLAT WASHER	1	12	R20142	SLOTTED HEX NUT	2
2.1.2	242-17-13-081	RH SPOOL HOLDER	1	13	R08207	5/32 x 1 1/2 S.S. COTTER PIN	2
2.1.3	242-17-13-082	SPOOL HOLDER BRACE	2				

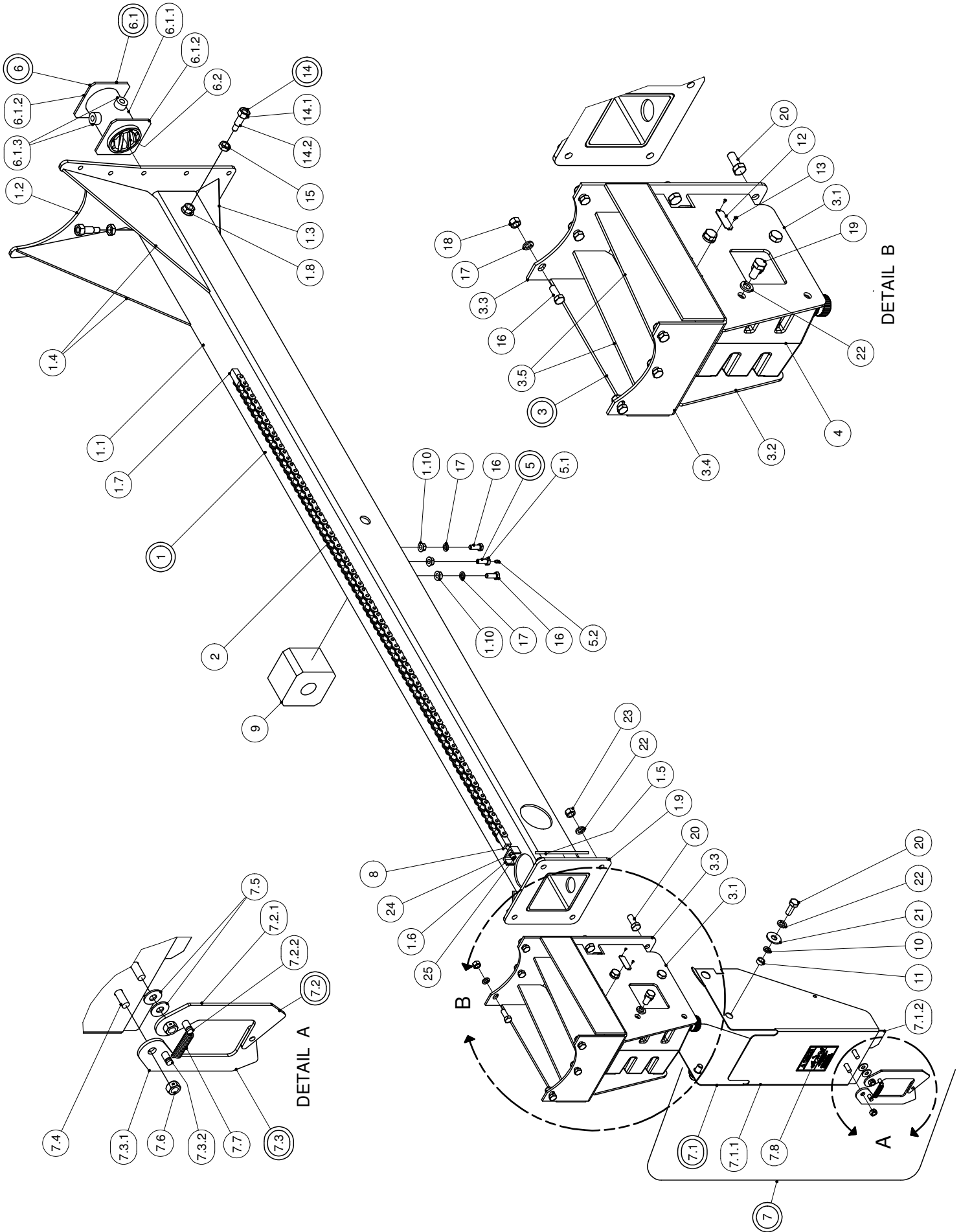
H-10000 HOUSING & IMPELLER



H-10000 HOUSING & IMPELLER

PARTS LIST			
ITEM	PART NUMBER	DESCRIPTION	QTY
1	286-01-00-000	HOUSING ASSY	1
1.1	286-01-01-000	BOOT ASSY	1
1.1.1	286-01-01-006	SIDE PLATE UPPER	1
1.1.2	286-01-01-007	SIDE PLATE LOWER	1
1.1.3	286-01-01-008	CURVE PLATE	1
1.2	286-01-00-002	HOUSING LOWER PLATE	1
1.3	286-01-00-003	HOUSING LOWER PLATE	1
1.4	286-01-00-001	HOUSING UPPER PLATE	1
1.5	286-01-00-004	OUTLET PIPE	1
1.6	286-01-00-005	CORNER GUSSET	2
2	244-34-00-000	IMPELLER ASSY	1
2.1	244-34-00-358	CHT IMPELLER BACK PLATE	1
2.2	244-18-00-331	IMPELLER SLEEVE	1
2.3	244-34-00-359	CHT IMPELLER BLADE	4
3	286-11-00-000	CHT COVER PLATE ASSY	1
3.1	286-11-00-046	CHT COVER PLATE	1
3.2	244-33-00-357	CHT COVER PLATE SUPPORT	1
3.3	250-04-03-013	FOOT PLATE	2
3.4	250-04-03-012	FOOT END	2
3.5	250-04-00-173	FOOT GUSSET	4
4	242-54-00-000	KNUCKLE ASSY	1
4.1	R22028	1 3/4" QD YOKE 27T C/W BOLT & NUT	1
4.2	R22030	1 3/4" ROUND HOLE YOKE	1
4.3	R22029	CROSS KIT	1
5	242-00-00-258	DRIVE SHAFT - 8FT MODEL	1
	244-00-00-259	DRIVE SHAFT - 10FT MODEL	1
	246-00-00-260	DRIVE SHAFT - 12FT MODEL	1
6	270-00-00-075	3/8 KEY - 50mm LONG	1
7	R07742	1/2 x 1 1/4 UNC CARRIAGE BOLT	19
8	R07785	1/2-13 UNC HEX NUT	19
9	R07805	1/2" LOCK WASHER	19
10	R07633	7/16 x 3 1/2 UNC HEX BOLT	1
11	R07804	7/16" LOCK WASHER	1
12	R07784	7/16-14 UNC HEX NUT	1
13	R07909	3/8 x 3/8 SET SCREW	1

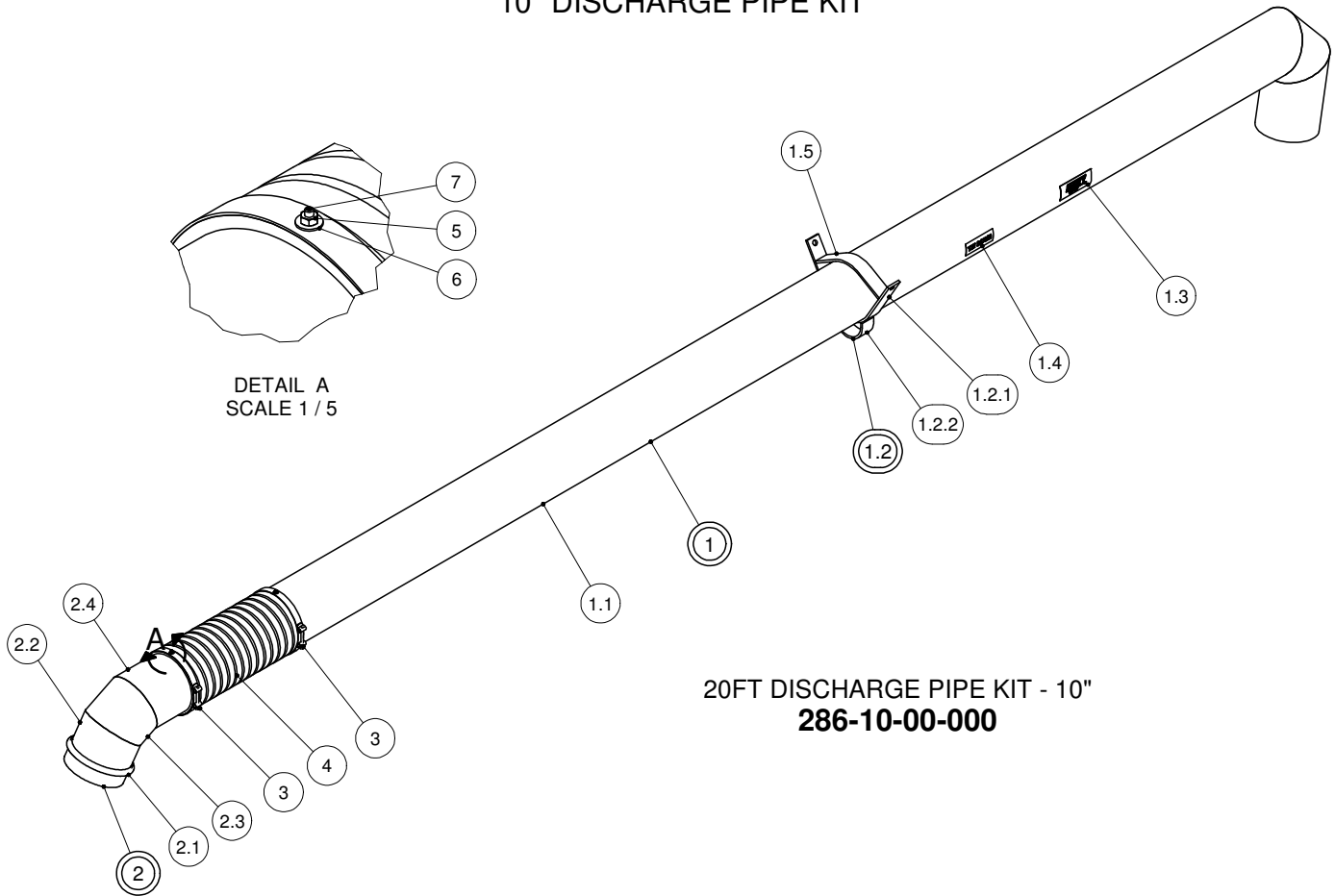
H-10000 DRIVE SHAFT TUBE



H-10000 DRIVE SHAFT TUBE

PARTS LIST				PARTS LIST			
ITEM	PART NUMBE	DESCRIPTION	QT	ITEM	PART NUMBE	DESCRIPTION	QT
1	286-06-00-000	DRIVE SHAFT TUBE ASSY - 8ft MODEL	1	7	242-45-00-000	PTO GUARD AND BRKT KIT	1
	287-15-00-000	DRIVE SHAFT TUBE ASSY - 10ft MODEL	1	7.1	244-04-00-000	PTO GUARD ASSY	1
	288-17-00-000	DRIVE SHAFT TUBE ASSY - 12ft MODEL	1	7.1.1	244-04-00-264	PTO GUARD	1
1.1	286-06-00-036	DRIVE SHAFT TUBE - 8ft MODEL	1	7.1.2	244-04-00-265	REINFORCING ANGLE	1
	287-15-00-049	DRIVE SHAFT TUBE - 10ft MODEL	1	7.2	242-16-00-000	RH STABILIZER BRKT ASSY	1
	288-17-00-051	DRIVE SHAFT TUBE - 12ft MODEL	1	7.2.1	242-16-00-079	STABILIZER BRKT	1
1.2	286-06-00-037	SHAFT TUBE FLANGE-LOWER	1	7.2.2	242-16-00-080	SPRING RETAINING ROD	1
1.3	286-06-00-038	SHAFT UTBE GUSSET	2	7.3	242-96-00-000	LH STABILIZER BRKT ASSY	1
1.4	286-06-00-052	GUSSET STOP PLATE	2	7.3.1	242-16-00-079	STABILIZER BRKT	1
1.5	242-11-00-064	TUBE GUSSET	2	7.3.2	242-16-00-080	SPRING RETAINING ROD	1
1.6	242-11-00-061	TIGHTENER BRACKET	1	7.4	R07671	7/16 x 1 1/4 HEX BOLT	2
1.7	242-11-00-059	CHAIN HOLD DOWN BRACKET	1	7.5	R07824	7/16 FLAT WASHER	2
1.8	R08433	3/4-10 UNC PLATED FLANGE NUT	2	7.6	R07891	7/16 2-WAY LOCK NUT	2
1.9	242-11-00-062	DRIVE SHAFT TUBE END PLATE	1	7.7	R08025	STABILIZER SPRING	1
1.10	R08304	1/2-13 UNC SS FLANGE NUT	3	7.8	R21521	"ROTATING DRIVE LINE" DECAL	1
2	242-00-00-065	ROLLER CHAIN - 8 FT MODEL	1	8	242-00-00-066	CHAIN TIGHTENER	1
	244-00-00-169	ROLLER CHAIN - 10 FT MODEL	1	9	R22148	5.40" SQ WOOD BEARING	1
	246-00-00-177	ROLLER CHAIN - 12 FT MODEL	1	10	R09638	RUBBER WASHER 7/8 X 1/2" X 1/8"	2
3	286-25-00-000	GEARBOX BRKT ASSY-SUPERIOR	1	11	242-00-00-338	FLIP GUARD SPACER	2
3.1	286-25-00-088	RH GEARBOX BRKT	1	12	R09071	SERIAL NUMBER PLATE	1
3.2	286-25-00-087	LH GEARBOX BRKT	1	13	R08152	6 x 1/4 PAN HD SOCKET SCREW	2
3.3	286-18-00-053	GEARBOX LOWER PLATE	1	14	244-97-00-000	3/4" S.S. SET SCREW ASSY	2
3.4	286-18-00-056	GEARBOX TOP PLATE	1	14.1	R08432	3/4-10 SS UNC HEX NUT	1
3.5	286-25-00-089	GUSSET	2	14.2	244-97-00-522	3/4" S.S. REDDI THREAD SET SCREW	1
4	R22478	SUPERIOR GEARBOX 1-1	1	15	R07847	3/4-10 UNC JAM NUT	2
5	244-88-00-000	WOOD BEARING GREASE BOLT KIT	1	16	R07674	1/2 x 1 1/4 UNC HEX BOLT	8
5.1	244-88-00-451	WOOD BEARING GREASE BOLT	1	17	R07805	1/2" LOCK WASHER	8
5.2	R08183	1/4" - 28 STRAIGHT GREASE FITTING	1	18	R07785	1/2-13 UNC HEX NUT	6
6	296-09-00-000	2 3/4" MARINE BRG & HOLDER COMPLETE	1	19	R07673	5/8 x 1 1/4 UNC HEX BOLT	6
				20	R07646	5/8 x 1 1/2 UNC HEX BOLT	6
6.1	296-09-01-000	2 3/4" BEARING HOLDER ASSY	1	21	R07826	5/8" FLAT WASHER	2
6.1.1	244-13-01-320	HOLDER TUBE	1	22	R07806	5/8" LOCK WASHER	10
6.1.2	296-09-01-052	LARGE MARINE BEARING HOLDER FLANGE	2	23	R07786	5/8-11 UNC HEX NUT	4
				24	R07797	3/8-24 UNF HEX NUT	1
6.1.3	244-13-01-322	SET SCREW SEAT	2	25	R07868	3/8 x 1 1/2 UNF SHCS	1
6.2	R20224	H5000 2 3/4" URETHENE FOR BRG	1				

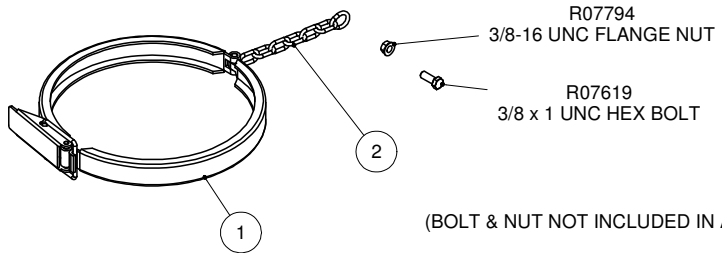
10" DISCHARGE PIPE KIT



20FT DISCHARGE PIPE KIT - 10"
286-10-00-000

PARTS LIST				PARTS LIST			
ITEM	PART NUMBER	DESCRIPTION	QTY	ITEM	PART NUMBER	DESCRIPTION	QTY
1	286-10-01-000	20 FT DISCHARGE PIPE ASSY - 10"	1	2.1	R02990	10" CIRCLE LOCK, MALE ITHPM1000	1
1.1	286-10-01-045	DISCHARGE PIPE	1	2.2	286-10-02-108	ALUMINUM PIPE ELBOW OUTER PC	1
1.2	286-10-03-000	DISCHARGE PIPE HOOK ASSY	1	2.3	286-10-02-107	ALUMINUM PIPE ELBOW MIDDLE PC	1
1.2.1	286-10-03-060	DISCHARGE PIPE HOOK	1	2.4	286-10-02-044	ALUMINUM PIPE ELBOW OUTER PC	1
1.2.2	286-10-03-061	LOWER DISCHARGE HOOK	1	3	R02492	10" SUPER CLAMP	2
1.3	R09502	"HUSKY" DECAL	1	4	286-10-00-047	10" FLEX HOSE	1
1.4	R09690	"TIE DOWN" DECAL	1	5	R07781	1/4-20 UNC HEX NUT	4
1.5	286-10-01-090	10" PIPE HOOK REINFORCING STRAP	1	6	R07821	1/4" FLAT WASHER	4
2	286-10-02-000	10" ALUMINUM PUMP ELBOW ASSY	1	7	R07677	1/4 x 3/4 UNC HEX BOLT	4

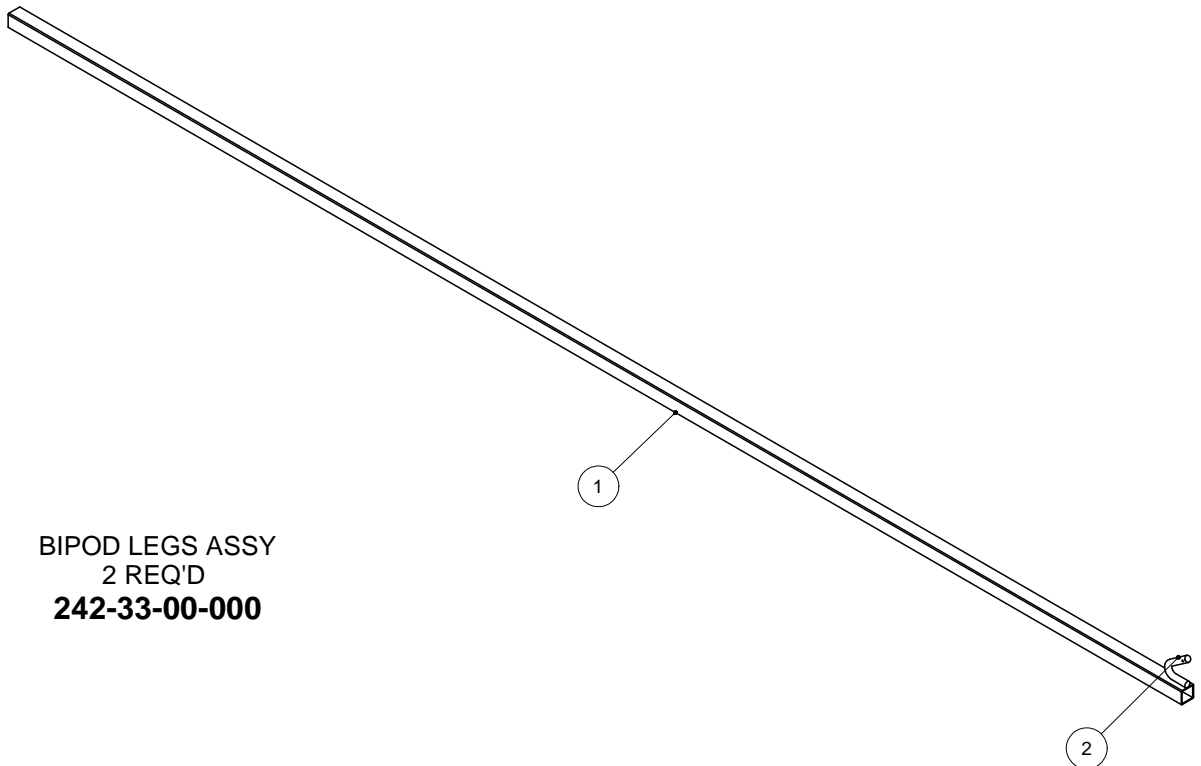
10" BANDLOC CLAMP ASSY
286-13-00-000



(BOLT & NUT NOT INCLUDED IN ASSY)

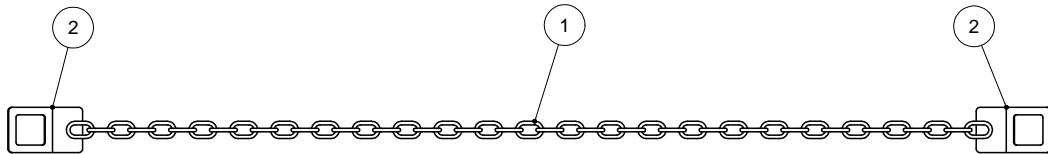
PARTS LIST			
ITEM	PART NUMBER	DESCRIPTION	QTY
1	R02500	10" BANDLOC CLAMP	1
2	250-97-00-297	CLAMP CHAIN	1

DISCHARGE PIPE KIT CON'T



BIPOD LEGS ASSY
2 REQ'D
242-33-00-000

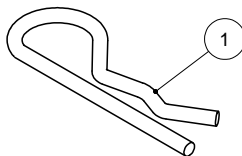
PARTS LIST			
ITEM	PART NUMBER	DESCRIPTION	QTY
1	242-33-00-155	BIPOD LEGS	1
2	242-33-00-156	BIPOD LEG HOOK	1



BIPOD LEG CHAIN ASSY
242-79-00-000

PARTS LIST			
ITEM	PART NUMBER	DESCRIPTION	QTY
1	242-79-00-199	BIPOD LEG CHAIN	1
2	242-79-00-198	BIPOD LEG CLIP	2

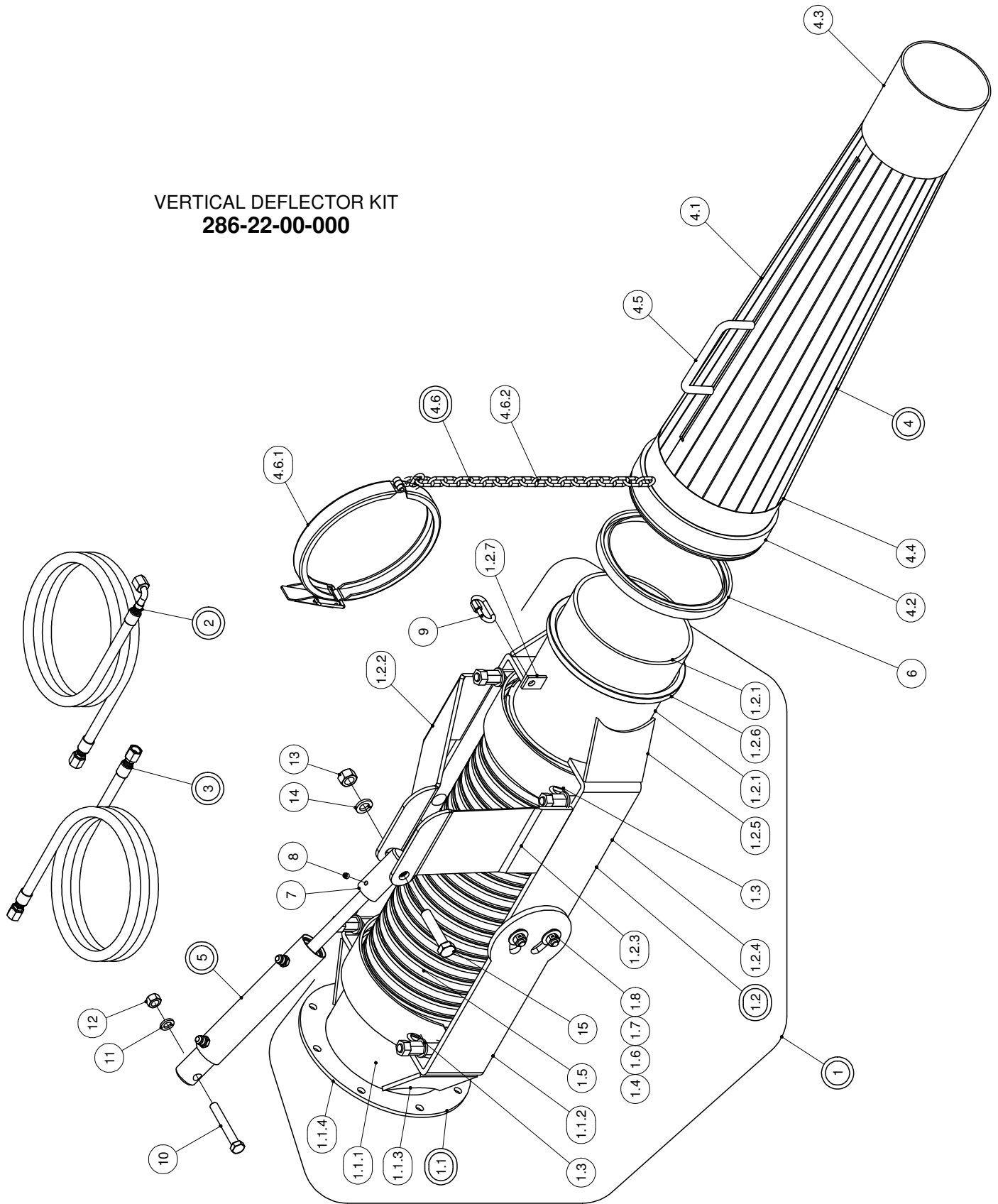
HAIR PIN
R07948



PARTS LIST			
ITEM	PART NUMBER	DESCRIPTION	QTY
1	R07948	5/32 HAIR PIN	1

H-10000 VERTICAL DEFLECTOR KIT

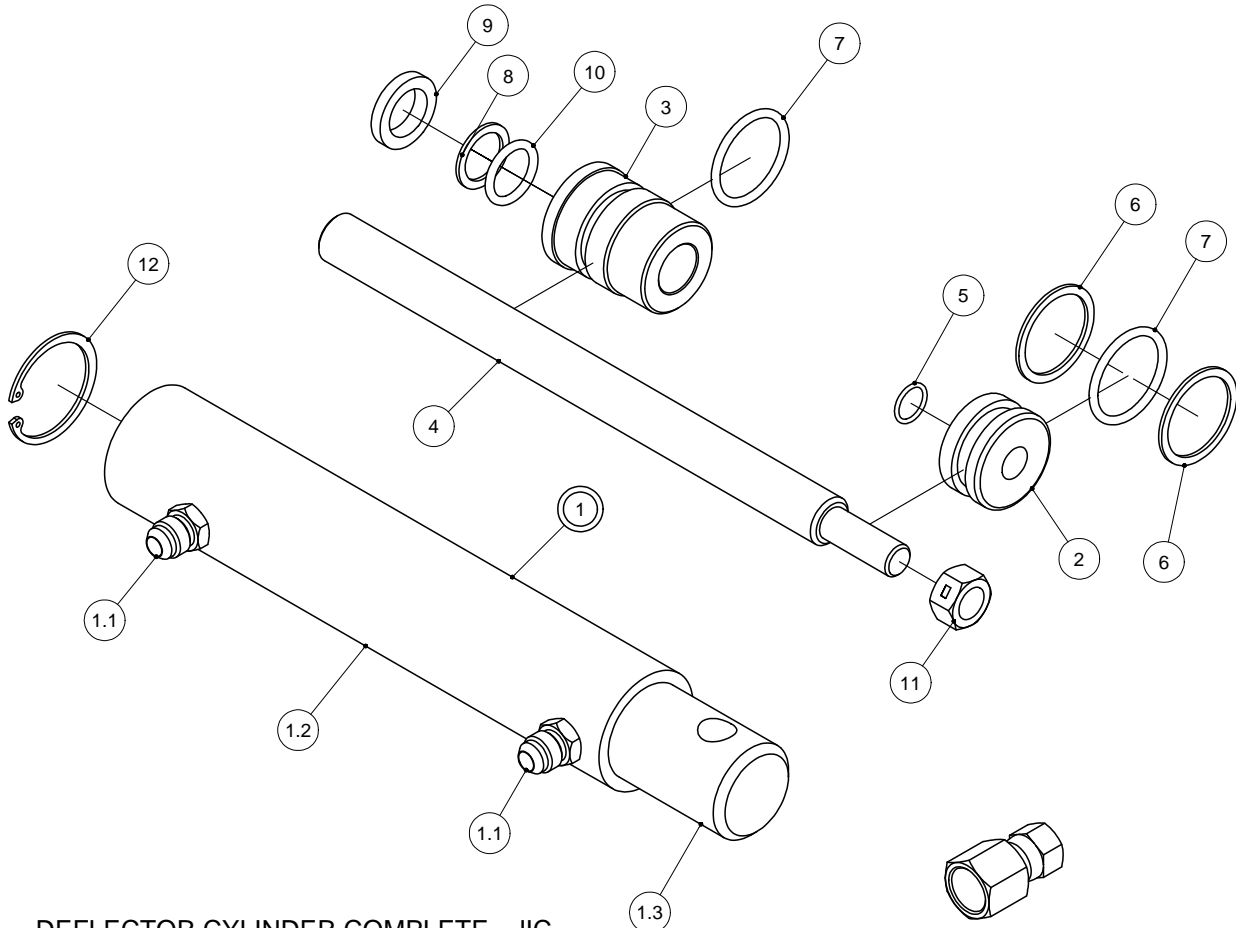
VERTICAL DEFLECTOR KIT
286-22-00-000



H-10000 VERTICAL DEFLECTOR KIT

PARTS LIST			
ITEM	PART NUMBER	DESCRIPTION	QTY
1	286-22-04-000	DEFLECTOR MECHANISM KIT-H10000	1
1.1	286-22-01-000	OUTER PIVOT BRKT ASSY	1
1.1.1	286-22-01-062	HOSE PIPE	1
1.1.2	386-05-02-093	8" OUTER PIVOT BRKT	2
1.1.3	386-05-01-094	GUSSET	2
1.1.4	242-58-48-285	DEFLECTOR FLANGE	1
1.2	286-22-02-000	INNER PIVOT BRKT ASSY	1
1.2.1	286-22-02-067	LONG HOSE CONNECTOR TUBE	1
1.2.2	286-22-02-072	L.H. CYLINDER BRKT	1
1.2.3	286-22-02-073	R.H. CYLINDER BRKT	1
1.2.4	386-05-01-092	8" INNER PIVOT BRKT	2
1.2.5	386-05-01-094	GUSSET	2
1.2.6	244-08-00-307	CLAMP RING	1
1.2.7	250-96-00-298	CHAIN LUG	1
1.3	R02844	8" SPIRAL CLAMP	2
1.4	386-05-03-096	SPACER PIPE	4
1.5	386-05-03-095	8" FLEX HOSE	1
1.6	R07778	7/16 x 1 1/2 UNC CARRIAGE BOLT	4
1.7	R07824	7/16" FLAT WASHER	4
1.8	R07891	7/16-14 UNC 2-WAY LOCK NUT	4
2	244-67-00-000	1/4" HYD HOSE ASSY (ROD SIDE)	1
3	244-53-00-000	1/4" HYD HOSE ASSY (PISTON SIDE)	1
4	286-22-03-000	CONE ASSY	1
4.1	286-22-03-069	8" TO 6" CONE	2
4.2	244-07-01-306	COUPLING BASE	1
4.3	286-22-03-071	6" DIAMETER EXTENSION TUBE	1
4.4	286-22-03-068	EXTENSION PIPE	1
4.5	244-12-03-341	CONE HANDLE	1
4.6	286-26-00-000	8" CLAMP & CHAIN ASSY	1
4.6.1	R02488	8" RINGLOCK CLAMP	1
4.6.2	244-99-00-527	CLAMP CHAIN	1
5	508-11-00-000	DEFLECTOR CYL COMPLETE - JIC	1
6	R02360	8" SQ HUSKY GASKET	1
7	242-58-00-293	CYLINDER SHAFT LUG	1
8	R07926	5/16-18 x 1/4" SET SCREW	1
9	R08435	1/4 Quick Link	1
10	R07642	1/2 x 3 1/2 UNC HEX BOLT	1
11	R07805	1/2" LOCK WASHER	1
12	R07785	1/2-13 UNC HEX NUT	1
13	R07786	5/8-11 UNC HEX NUT	1
14	R07806	5/8" LOCK WASHER	1
15	R07649	5/8 x 3 UNC HEX BOLT	1

DEFLECTOR CYLINDER COMPLETE - JIC



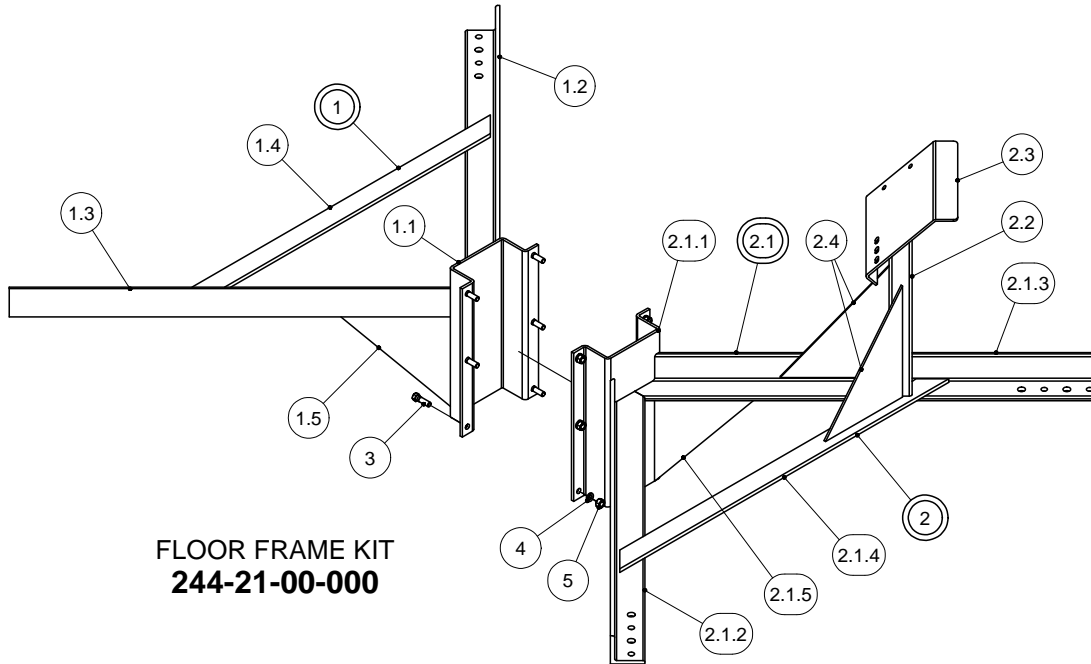
DEFLECTOR CYLINDER COMPLETE - JIC
508-11-00-000

SEAL REPLACEMENT KIT **508-12-00-000**

R23215
 3/8" JIC F x 3/8" NPT SW ADAPTER
 MUST BE USED WHEN REPLACING
 CYLINDER ON ANY MACHINE PRIOR
 TO 2011 - 2 pcs REQ'D

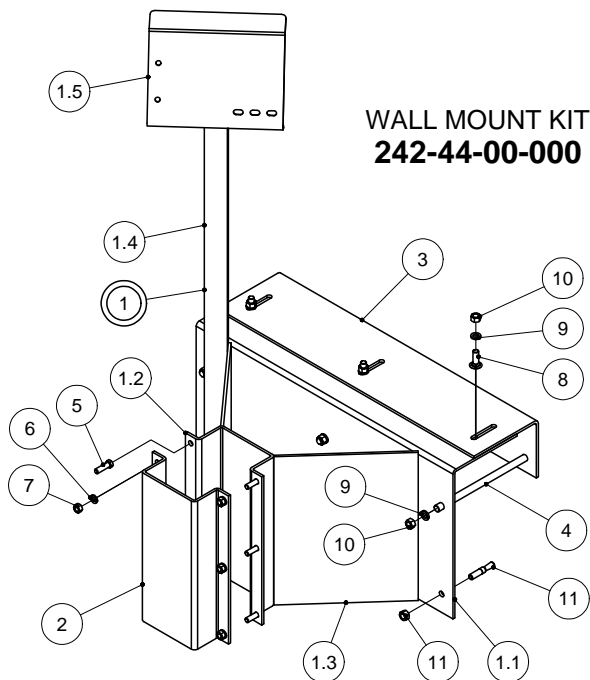
PARTS LIST			
ITEM	PART NUMBER	DESCRIPTION	QTY
1	508-11-01-000	DEFLECTOR CYL TUBE ASSY - JIC	1
1.1	R23151	3/8" M. JIC WELD FITTING	2
1.2	508-11-01-038	DEFLECTOR CYL TUBE - JIC	1
1.3	508-11-01-042	DEFLECTOR CYL END CAP - JIC	1
2	340-36-00-435	CYLINDER PLUNGER	1
3	508-09-00-039	WIPER BLOCK - JIC	1
4	275-15-00-122	HYDRAULIC CYLINDER SHAFT	1
5	R20865	O-RING #11-014	1
6	R20867	BACKUP RING #8-218	2
7	R20866	O-RING #11-218	2
8	R20862	3/4" BACKUP #210	1
9	R20774	3/4" HYTREL ROD WIPER 52-750	1
10	R20771	O-RING #11-210	1
11	R07885	1/2-13 UNC 2-WAY LOCK NUT	1
12	R08198	1 9/16" INTERNAL SNAP RING	1

H-5 FLOOR & WALL MOUNT FRAME



**FLOOR FRAME KIT
244-21-00-000**

PARTS LIST				PARTS LIST			
ITEM	PART NUMBER	DESCRIPTION	QTY	ITEM	PART NUMBER	DESCRIPTION	QTY
1	244-21-01-000	FLOOR FRAME ASSY	1	2.1.3	244-21-01-418	LH FLOOR FRAME ANGLE	1
1.1	244-21-01-419	SHAFT TUBE CLAMP BRKT	1	2.1.4	250-91-55-262	FLOOR BRACKET BRACE	1
1.2	244-21-01-417	RH FLOOR FRAME ANGLE	1	2.1.5	244-21-01-420	GUSSET	2
1.3	244-21-01-418	LH FLOOR FRAME ANGLE	1	2.2	242-18-15-103	CONTROL VALVE STAND TUBE	1
1.4	250-91-55-262	FLOOR BRACKET BRACE	1	2.3	242-18-15-104	CONTROL VALVE PLATE	1
1.5	244-21-01-420	GUSSET	2	2.4	242-18-15-106	STANDTUBE GUSSET	2
2	244-21-02-000	FLOOR FRAME W/ STAND ASSY	1	3	R07629	7/16 x 1 1/2 HEX BOLT	6
2.1	244-21-01-000	FLOOR FRAME ASSY	1	4	R07804	7/16 LOCK WASHER	6
2.1.1	244-21-01-419	SHAFT TUBE CLAMP BRKT	1	5	R07784	7/16 HEX NUT	6
2.1.2	244-21-01-417	RH FLOOR FRAME ANGLE	1				

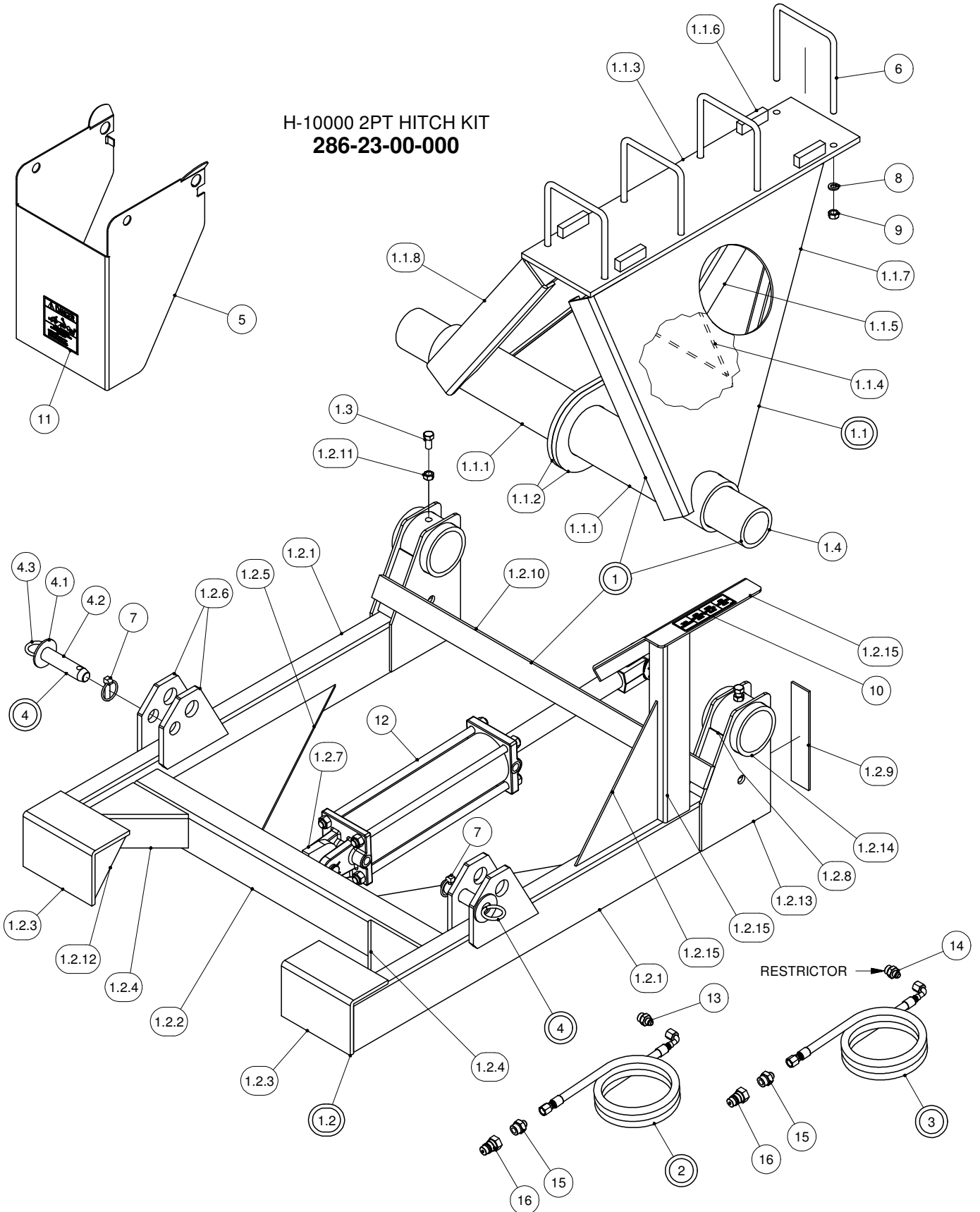


**WALL MOUNT KIT
242-44-00-000**

PARTS LIST			
ITEM	PART NUMBER	DESCRIPTION	QTY
1	242-44-01-000	WALL BRKT ASSY	1
1.1	242-44-01-379	INNER WALL PLATE	1
1.2	244-21-01-419	SHAFT TUBE CLAMP BRKT	1
1.3	242-44-01-380	SPACER PLATE	2
1.4	242-44-01-457	CONTROL VALVE TUBE	1
1.5	242-18-15-104	CONTROL VALVE PLATE	1
2	244-21-01-419	SHAFT TUBE CLAMP BRKT	1
3	242-44-00-381	OUTER WALL BRACKET	1
4	242-44-00-456	5/8" REDDI THREAD	3
5	R07629	7/16 x 1 1/2 UNC HEX BOLT	6
6	R07804	7/16" LOCK WASHER	6
7	R07784	7/16-14 UNC HEX NUT	6
8	R07777	1/2 x 1 1/2 UNC CARRIAGE BOLT	3
9	R07805	1/2" LOCK WASHER	9
10	R07785	1/2-13 UNC HEX NUT	9
11	R07844	1/2 X 2 3/4" ANCHOR STUD	3

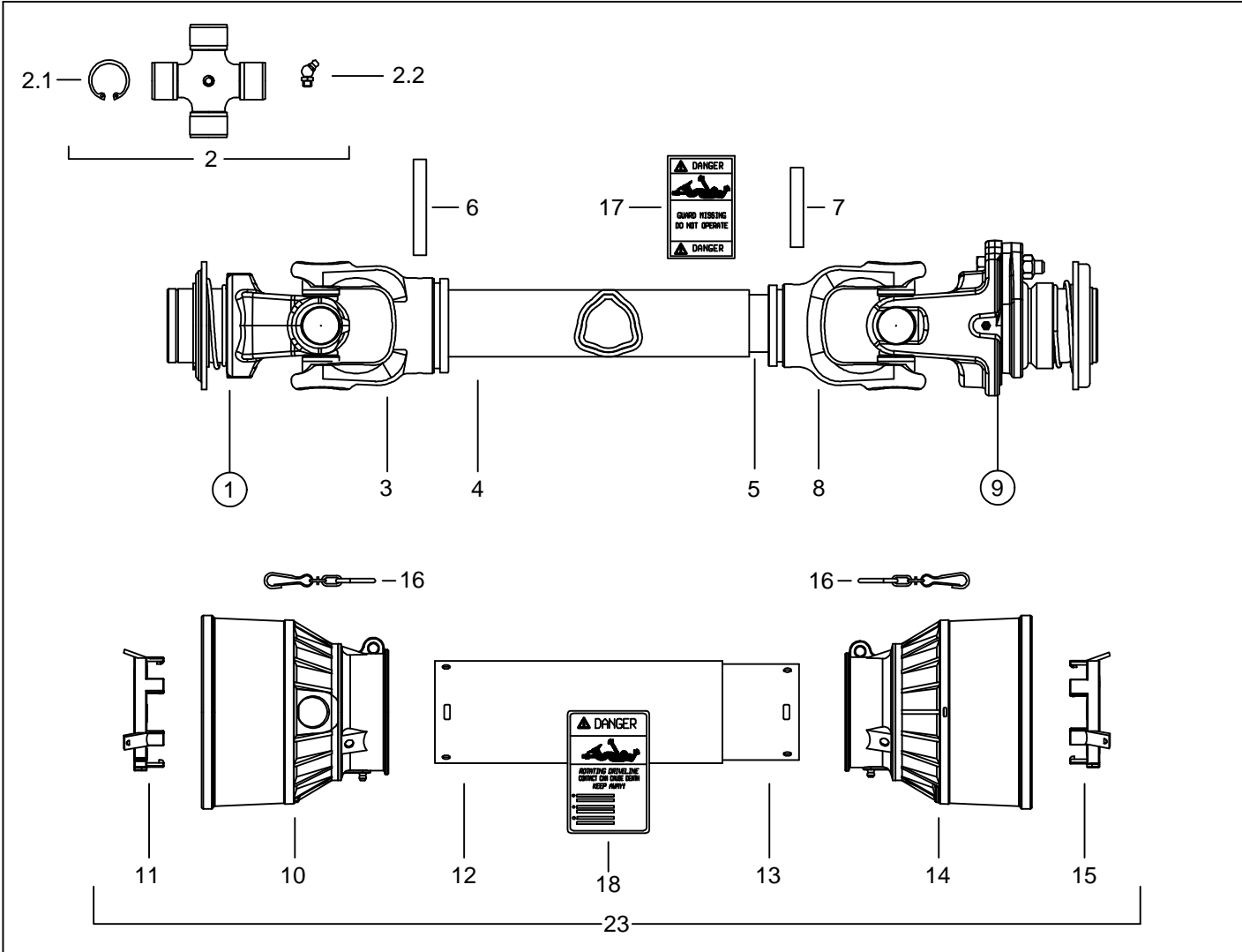
H-10000 2PT HITCH KIT

H-10000 2PT HITCH KIT
286-23-00-000

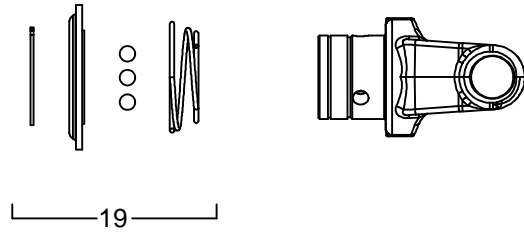


H-10000 2PT HITCH KIT

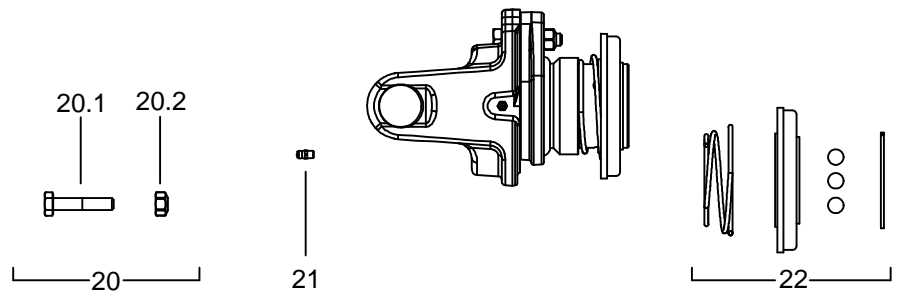
PARTS LIST			
ITEM	PART NUMBER	DESCRIPTION	QTY
1	286-23-03-000	H-10000 2PT HITCH KIT-LESS HYD & U BOLTS	1
1.1	286-23-01-000	OUTER PIVOT BRKT ASSY	1
1.1.1	286-23-01-075	SUPPORT ARM SLEEVE	1
1.1.2	286-23-01-074	CYLINDER AXLE BRKT	2
1.1.3	242-60-35-252	TOP SUPPORT PLATE	1
1.1.4	286-23-01-078	GUSSET	1
1.1.5	286-23-01-079	REINFORCING BARS	2
1.1.6	242-30-35-302	STABILIZER BAR	4
1.1.7	286-23-01-076	LH SUPPORT ARM	1
1.1.8	286-23-01-077	RH SUPPORT ARM	1
1.2	286-23-02-000	2PT HITCH MAIN FRAME ASSY	1
1.2.1	250-87-44-215	LIFT ARM	2
1.2.2	250-87-44-216	CROSS BRACE	1
1.2.3	250-87-44-217	END CAP	2
1.2.4	250-87-44-218	ANGLE GUSSET	2
1.2.5	250-87-44-219	CROSS BRACE GUSSET	2
1.2.6	250-87-44-220	LIFT BRACKETS	4
1.2.7	250-87-44-221	CYLINDER LUG	1
1.2.8	250-87-44-224	FRONT FILLER PLATE	2
1.2.9	250-87-44-225	REAR FILLER PLATE	2
1.2.10	250-87-44-226	CROSS STRAP	1
1.2.11	R07785	1/2 HEX NUT	2
1.2.12	250-87-44-335	GUSSET	2
1.2.13	286-23-02-080	TILT FRAME BRKT	4
1.2.14	286-23-02-081	TILT FRAME BRKT SLEEVE	2
1.2.15	242-18-15-000	CONTROL VALVE STAND ASSY	1
1.3	R07637	1/2 x 1 HEX BOLT	2
1.4	286-23-00-082	INNER AXLE TUBE	1
2	250-87-51-000	HYDRAULIC HOSE ASSY	1
3	250-87-52-000	HYDRAULIC HOSE ASSY	1
4	250-87-56-000	DRAW PIN ASSY	2
4.1	R07828	1" FLAT WASHER	1
4.2	250-87-56-264	DRAW PIN	1
4.3	250-00-00-354	1/4 X 1 1/2" RING	1
5	286-23-00-083	PTO GUARD - 2PT HITCH	1
6	R08173	"U" BOLT 1/2-13 UNC 6" ID X 7 1/4" LONG	4
7	R08040	2 - 18 LYNCH PIN	2
8	R07805	1/2 LOCK WASHER	8
9	R07785	1/2 HEX NUT	8
10	R09673	HYDRAULIC CONTROL DECAL	1
11	R21521	"ROTATING DRIVE LINE" DECAL	1
12	R23311	40TD14-175 HYD CYL-ORB	1
13	R23091	ORB-8 X 3/8" JIC M ADAPTOR	1
14	R23191	3/8" JIC M x ORB-8 M RESTRICTOR	1
15	R23094	ORB-10 x 3/8" JIC M ADAPTOR	2
16	R23182	MALE PIONEER TIP-ORB-10	2



①



⑨



PTO - H5-H10-PL490

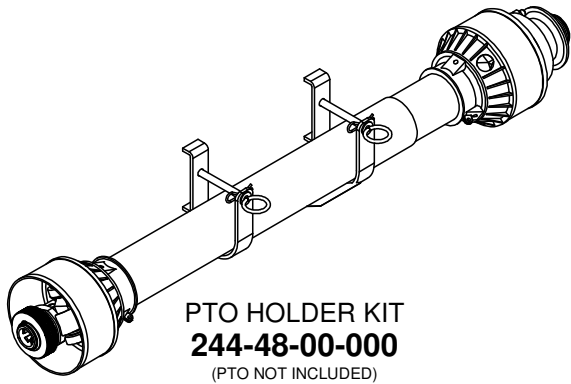
R21606 - 1 3/8" 6 TOOTH - 540 RPM (STANDARD)

R21607 - 1 3/8" 21 TOOTH - 1000 RPM

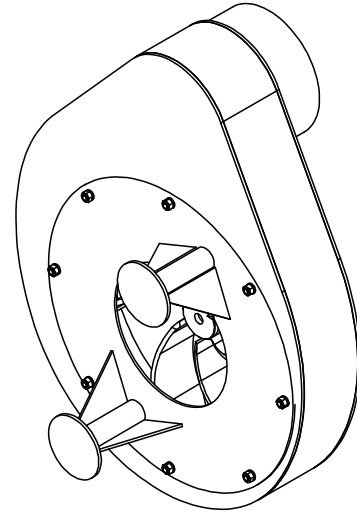
R21649 - 1 3/4" 20 TOOTH - 1000 RPM

PARTS LIST				
ITEM	MFG NUMBER	PART NUMBER	DESCRIPTION	QTY
1	5720M0355	R22330	1 3/8" - 6 TOOTH QD YOKE w/ SLEEVES 540 rpm	1
	5720M3755	R22332	1 3/8" - 21 TOOTH QD YOKE w/ SLEEVES 1000 rpm	1
	5720M3855	R22333	1 3/4" - 20 TOOTH QD YOKE w/ SLEEVES 1000 rpm	1
2	4120M0011R20	R21614	CROSS KIT - S9 34.9x106	2
2.1	338023000	R21621	CIRCLIP	8
2.2	348004000	R21655	GREASE NIPPLE - 45°	2
3	204086860	R21620	YOKE - #8 OUTER TUBE	1
4	225730805	R21615	CARDAN DRIVE TUBE - INNER	1
5	225690805	R21616	CARDAN DRIVE TUBE - OUTER	1
6	341054000R10	R21613	FLEXIBLE PIN - OUTER 12x90mm	1
7	341055000R10	R21612	FLEXIBLE PIN - INNER 12x75mm	1
8	204086861	R21619	YOKE - #8 INNER TUBE	1
9	6060M3903R	R22331	1 3/4" - 27 TOOTH TORQUE LIMITER w/ SLIDE COLLAR	1
10	517080130	R21610	OUTER SHIELD CONE #8-9	1
11	255080005R02	R21609	OUTER SHIELD SUPPORT #8-9-10	1
12	236850732	R21618	CM SAFETY TUBE - OUTER	1
13	236840732	R21617	CM SAFETY TUBE - INNER	1
14	517080120	R21611	INNER SHIELD CONE #8-9	1
15	255080006R02	R21608	INNER SHIELD SUPPORT #8-9-10	1
16	252000050R02	R21738	SHIELD TIE CHAIN	2
17	399143000	R21523	"SHIELD MISSING" DECAL	1
18	399141000	R21521	"ROTATING DRIVE LINE" DECAL	1
19	435000322R	N/A	BALL COLLAR KIT - 1 3/8" S8/S9-RT	1
20	-	244-41-00-000	5-PACK SHEAR BOLT KIT	
20.1	-	R21602	M12-1.75x65 METRIC HEX BOLT - CL 8.8 (NOT FOR INDIVIDUAL SALE)	1
20.2	-	R21604	M12-1.75 METRIC NYLOCK NUT (NOT FOR INDIVIDUAL SALE)	1
21	348017000R20	R21687	GREASE NIPPLE - M6x1 STRAIGHT	1
22	435000418R	R22723	RT BALL COLLAR KIT - 1 3/4" S5/S9	1
23	5F08099FFUC	R21629	SAFETY GUARD COMPLETE	1

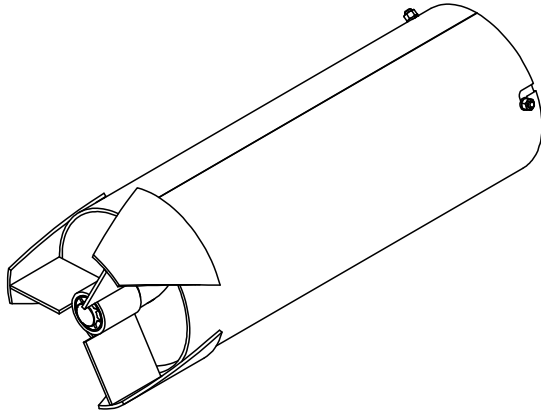
H-10 OPTIONS



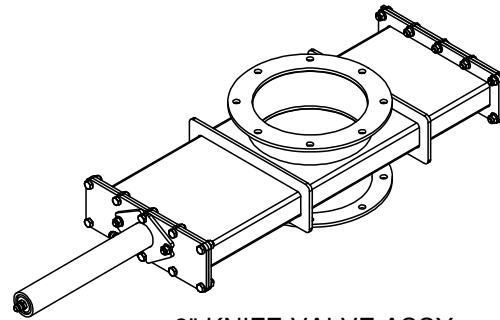
PTO HOLDER KIT
244-48-00-000
(PTO NOT INCLUDED)



H.P. FAN & HOUSING KIT
286-28-00-000



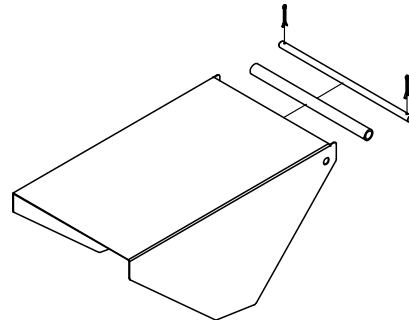
3FT AUGER EXTENSION KIT
244-92-00-000



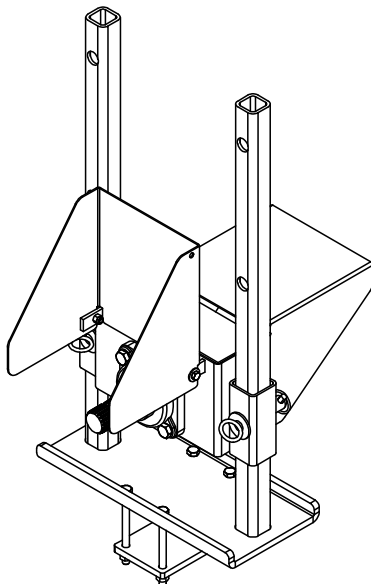
8" KNIFE VALVE ASSY
244-89-00-000



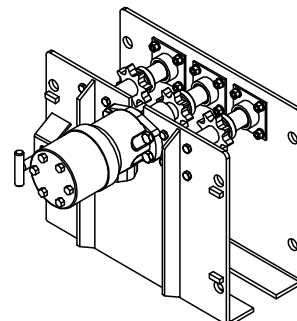
COOLING FAN ASSY
244-98-00-000



RAIN COVER KIT
286-29-00-000



JACK SHAFT ASSY
246-01-00-000



POSITIVE DRIVE KIT
286-30-00-000