

DATE PURCHASED _____ MACHINE SERIAL NO _____

*Office copy
April 10/87
10 made*

OPTIONS _____

PLEASE NOTE:

The Key number system in this parts book is arranged as follows:

- --- Key number with one circle denote main assemblies
- Key numbers not circled are individual parts

Please order parts by number

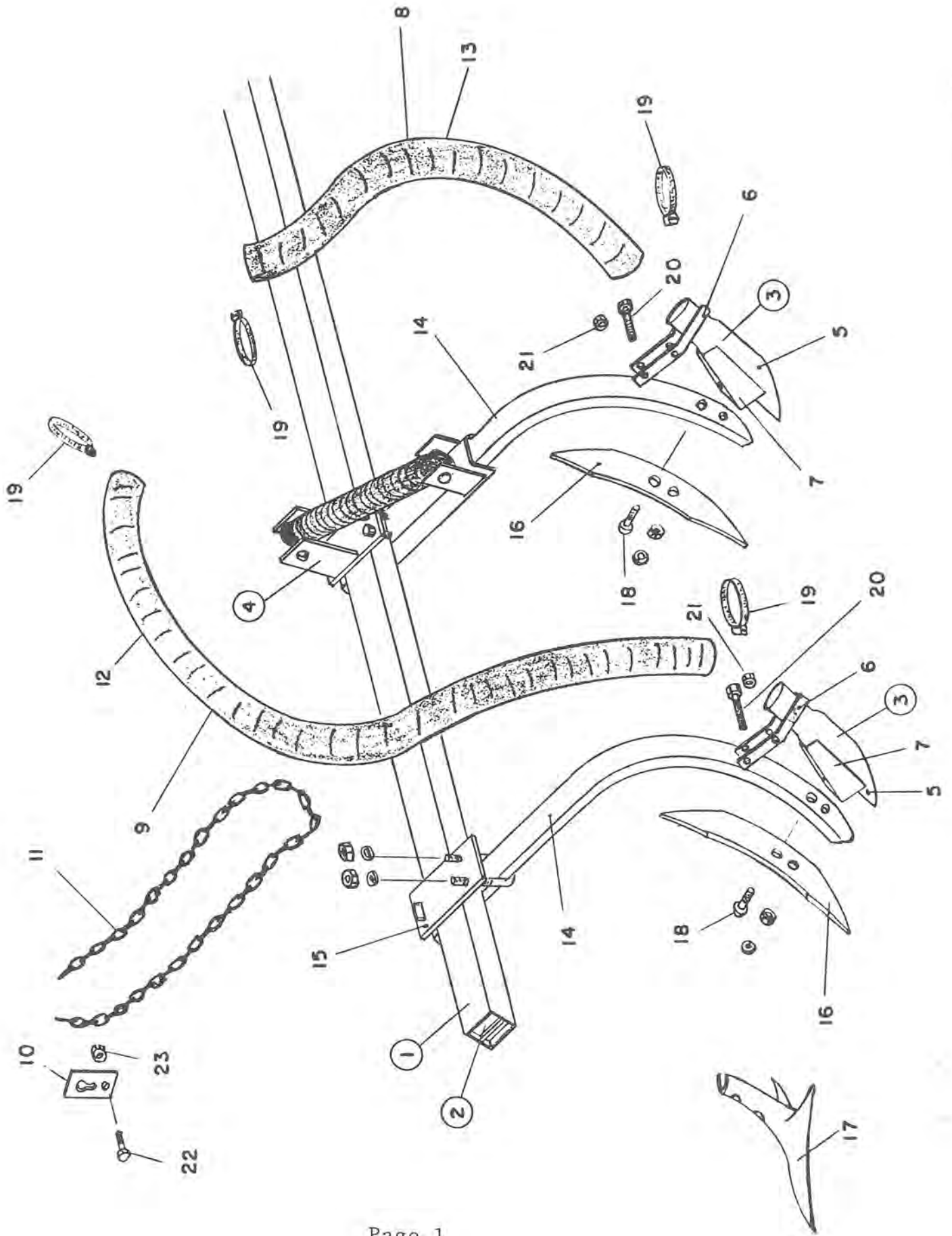
FRONT MOUNT

SOIL INJECTOR

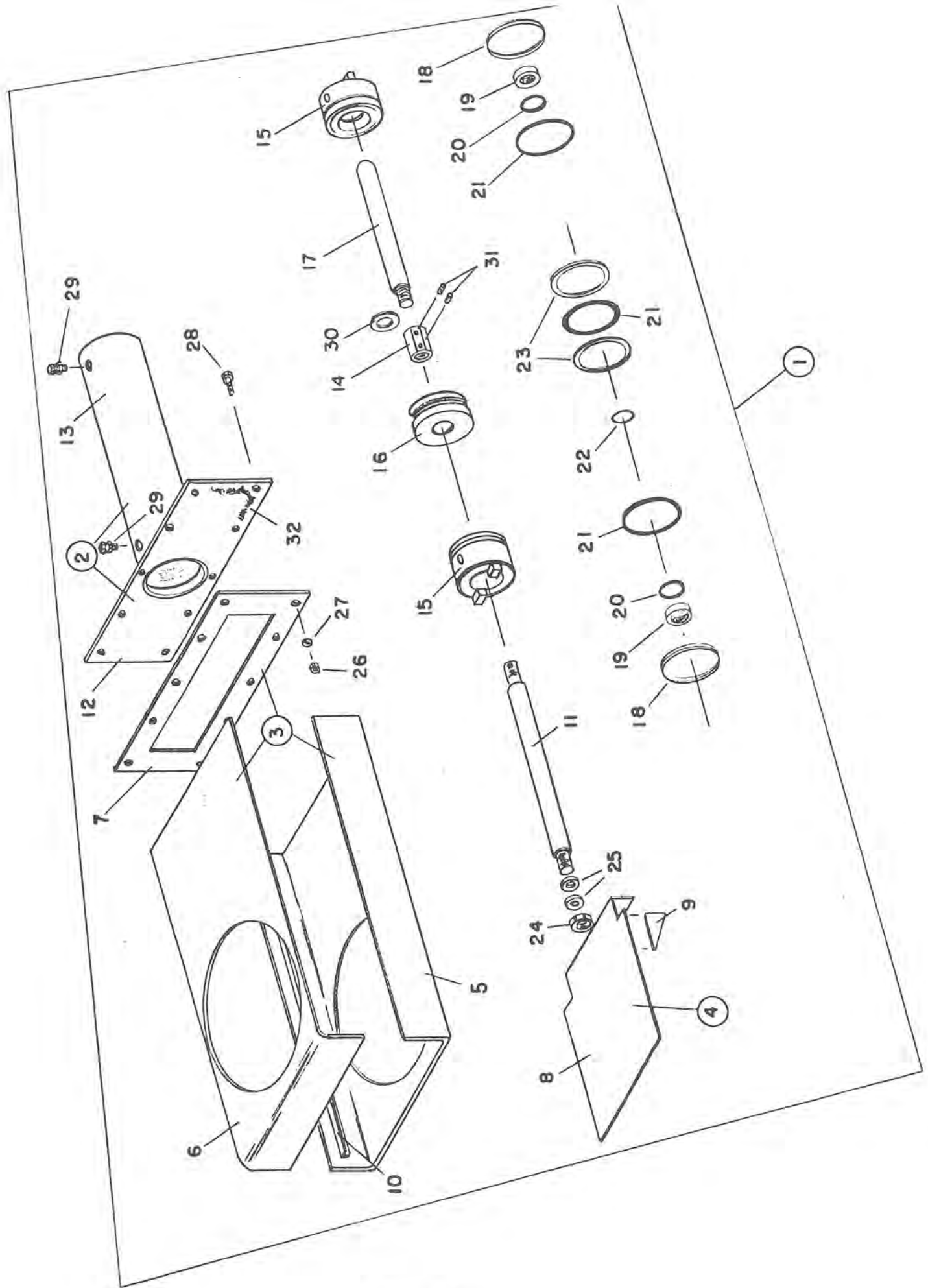
Operating Instructions:

Your Husky Front Mounted Soil Injector is designed to open up the ground wide enough to pump in a stream of manure below the ground surface. Although it is a well built machine it is not indestructable and should be used with common sense.

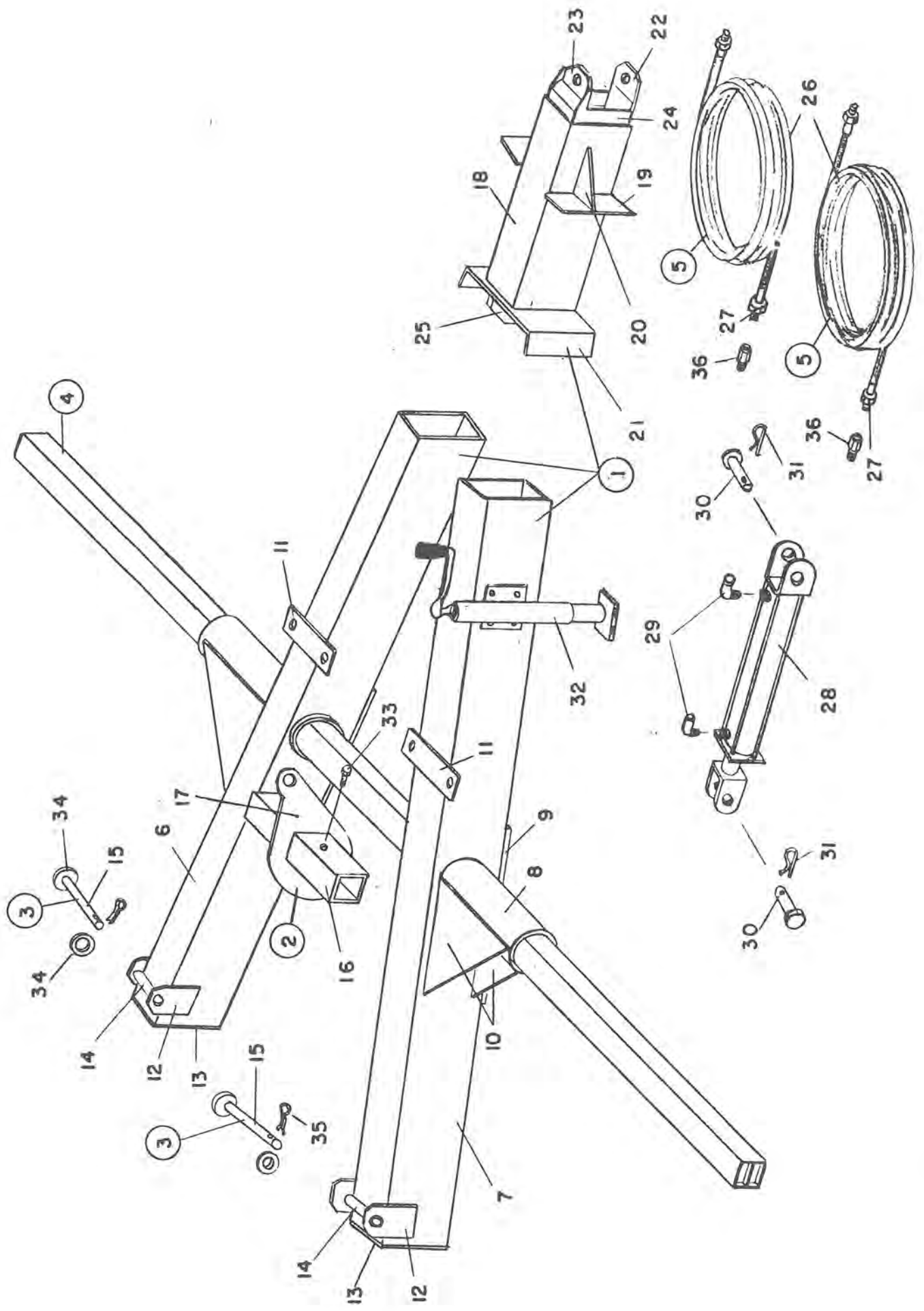
1. Do not try to operate in sod fields or very hard or stoney ground. It should be used only on cultivated fields.
2. Do not try and put into the ground when machine is not moving.
3. Do not place tooth in front of spreader tire as it will only allow the spreader tire to sink and push all the liquid out of the ground.
4. Volume can be controlled by P.T.O. speeds and ground travel speed as well as how far you open injector valve.
5. Your P.T.O. shear pin will protect the injector pump however you should try and not inject foreign material, stones etc. Pump can be run at either 540 or 1000 rpm - with some tractors it may be necessary to stop P.T.O. or slow it down while turning to avoid shearing pins.
6. EXTREME CAUTION - Never enter a dirty Manure Spreader or Storage tank - one breath of Hydrogen Sulfide Gas is enough to kill.



| Key | Part Number | Description | Qty |
|-----|---------------|--|-----|
| 1 | 307-06-00-000 | Cross Mount Tube Assy | 1 |
| 2 | 307-06-13-000 | Reinforcing Bar Assy | 1 |
| 3 | 307-09-00-000 | Injector Tube Assy | 4 |
| 4 | 307-31-00-000 | H D Spring Clamp Assy | * |
| 5 | 307-09-00-022 | Injector Tube | 4 |
| 6 | 307-09-00-065 | L H Injector Tube Upper Brkt | 4 |
| | 307-09-00-066 | R H Injector Tube Upper Brkt | 4 |
| 7 | 307-09-00-024 | Injector Tube Lower Brkt | 4 |
| 8 | 307-00-00-025 | Short Injector Hose | 2 |
| 9 | 307-00-00-026 | Long Injector Hose | 2 |
| 10 | 307-00-00-055 | Chain Brkt | 2 |
| 11 | 307-00-00-056 | Hose Chains | 2 |
| 12 | 307-00-00-097 | Long Injector Hose - used w/spring clamp | * |
| 13 | 307-00-00-098 | Short Injector Hose-used w/spring clamp | * |
| 14 | R09563 | Spring Tooth 1 1/4" x 2" x 26" | 4 |
| 15 | R09565 | Riged Clamp Assy w/bolts (std) | 4 |
| 16 | R09566 | 2" Chisel Point (std) | 4 |
| 17 | R09553 | 12" Chisel Sweep | * |
| 18 | R09561 | Plow Bolts - c/w Chisel | 8 |
| 19 | 368-46-00-000 | 3" Rod & Clamp | 8 |
| 20 | R07634 | 7/16 x 4 Hex Hd Bolt | 8 |
| 21 | R07891 | 7/16 Lock Nut | 8 |
| 22 | R07612 | 5/16 x 1 1/2 Hex Hd Bolt | 2 |
| 23 | R07782 | 5/16 Hex Nut | 2 |



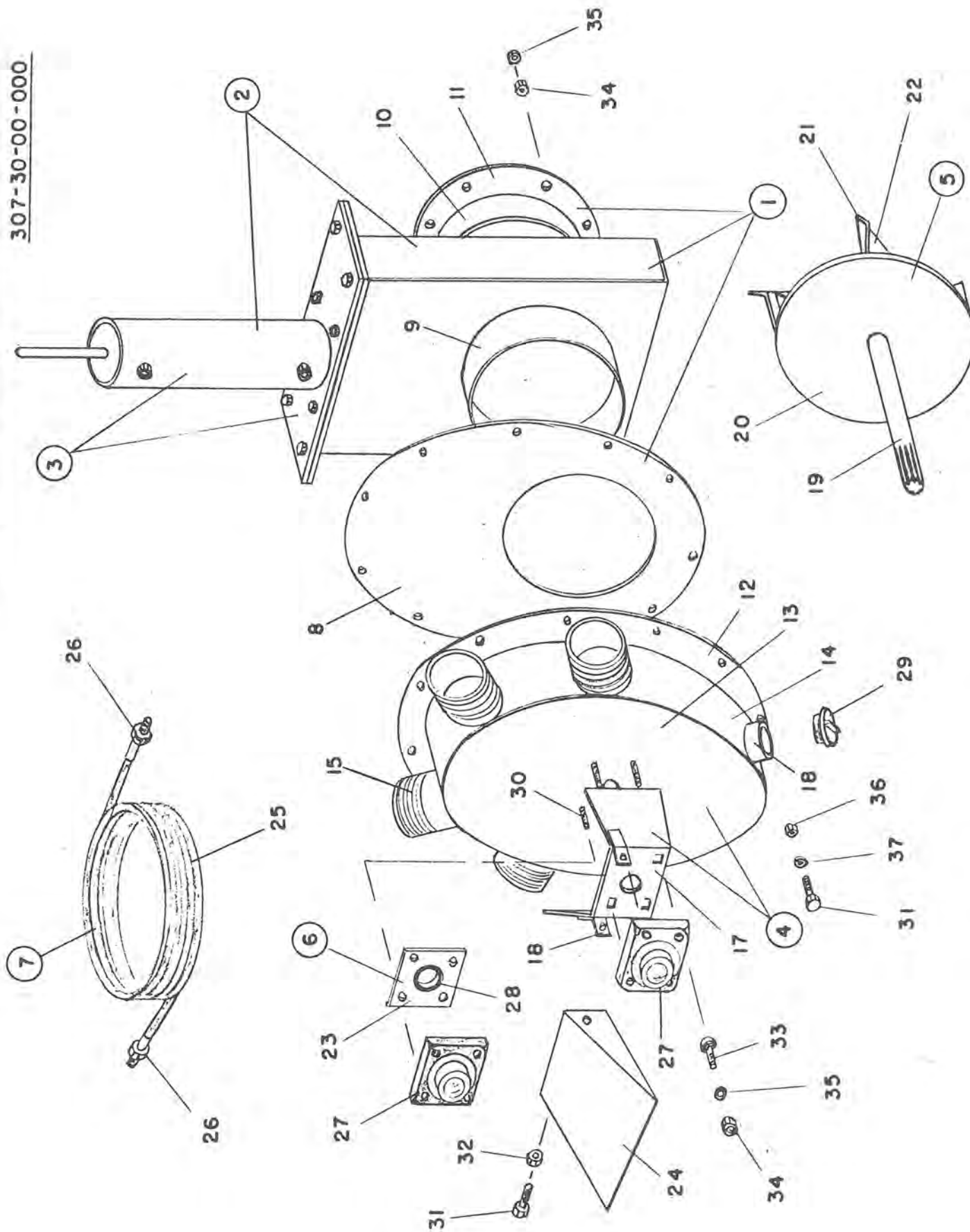
| Key | Part Number | Description | Qty |
|-----|---------------|---------------------------------------|-----|
| 1 | 307-37-18-000 | Valve & Cylinder Assy | 1 |
| 2 | 307-36-17-000 | Cylinder Tube & Flange Assy | 1 |
| 3 | 242-06-06-000 | Valve Housing Assy | 1 |
| 4 | 242-06-07-000 | Valve Gate Assy | 1 |
| 5 | 242-06-06-029 | Valve Main Body | 1 |
| 6 | 242-06-06-030 | Valve Top Plate | 1 |
| 7 | 242-06-06-031 | Valve Inner Flange | 1 |
| 8 | 242-06-07-032 | Valve Gate | 1 |
| 9 | 242-06-07-033 | Valve Gate Gusset | 2 |
| 10 | 242-00-00-040 | Guide Bar | 2 |
| 11 | 307-29-00-068 | Cylinder Shaft | 1 |
| 12 | 270-55-26-159 | Valve Outer Flange | 1 |
| 13 | 340-50-25-470 | Cylinder Tube | 1 |
| 14 | 340-50-00-469 | Shaft Connector | 1 |
| 15 | 340-36-00-434 | Wiper Block | 2 |
| 16 | 340-36-00-435 | Cylinder Plunger | 1 |
| 17 | 307-36-00-099 | Indicator Rog | 1 |
| 18 | R07970 | Retaining Ring | 2 |
| 19 | R20774 | Rod Wiper | 2 |
| 20 | R20771 | 'O' Ring #11-210 | 2 |
| 21 | R20866 | 'O' Ring #11-218 | 3 |
| 22 | R20865 | 'O' Ring #11-014 | 1 |
| 23 | R20867 | Backups #8-218 | 2 |
| 24 | R07885 | 1/2" 2 Way Lock Nut | 1 |
| 25 | R07853 | 1/2" SAE Washer | 2 |
| 26 | R07783 | 3/8 Hex Nut | 6 |
| 27 | R07803 | 3/8 Lock Washer | 6 |
| 28 | R07619 | 3/8 x 1 Hex Bolt | 6 |
| 29 | R21287 | 1/4 M x 3/8 F Straight Swivel Adaptor | 1 |
| 30 | R07825 | 1/2" Flat Washer | 1 |
| 31 | R07906 | 5/16 x 3/8 Set Screws | 2 |



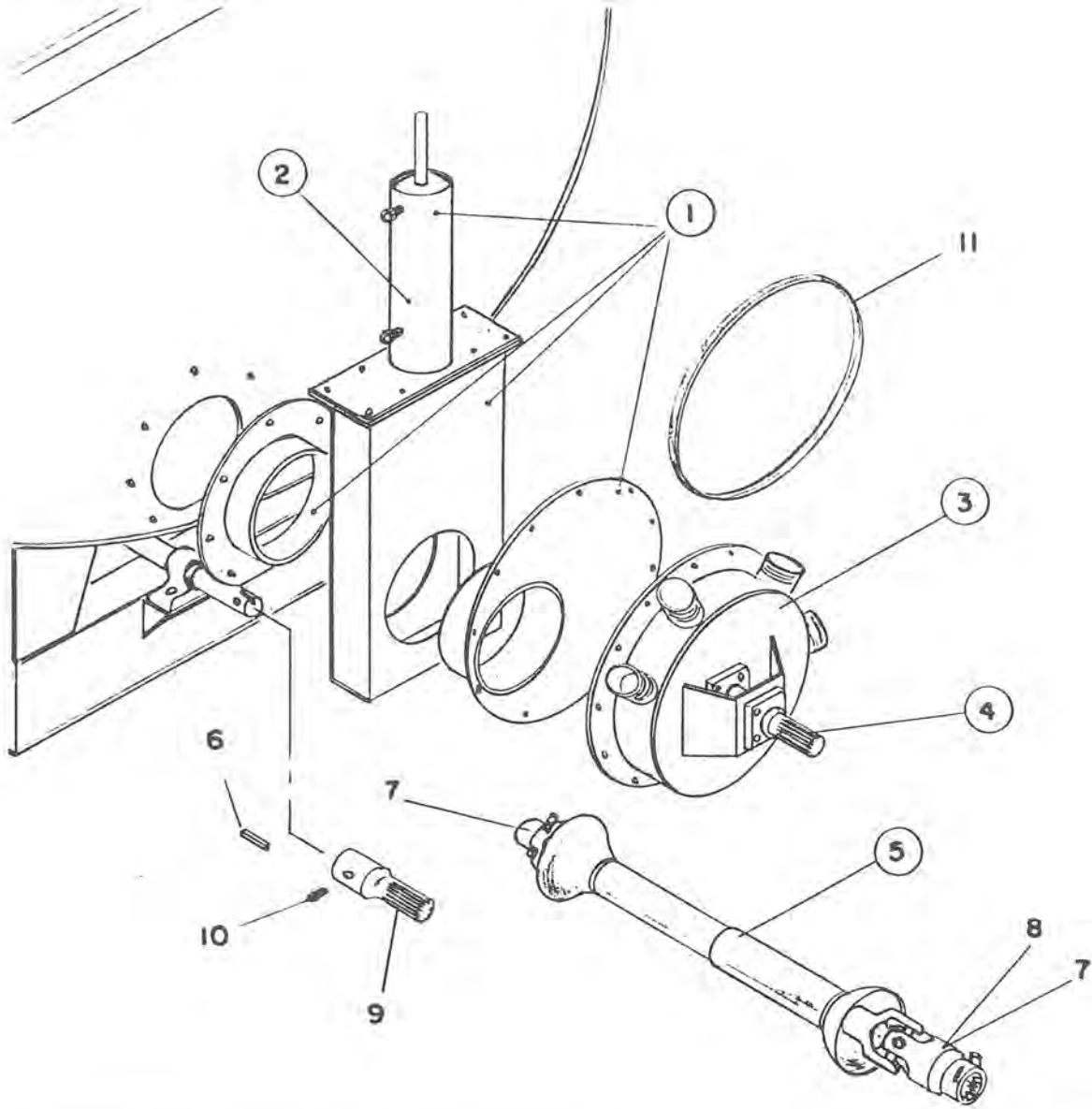
| Key | Part Number | Description | Qty |
|-----|---------------|------------------------------------|-----|
| 1 | 307-22-00-000 | Welded Tongue & Hitch Assy w/ jack | 1 |
| 2 | 307-27-00-000 | Cylinder Brkt Assy | 1 |
| 3 | 315-39-00-000 | Lock Pin Assy | 2 |
| 4 | 307-06-00-000 | Cross Mount Tube Assy | 1 |
| 5 | 307-10-00-000 | Hyd Hose Assy | 2 |
| 6 | 307-01-00-001 | L H Tongue Tube | 1 |
| 7 | 307-02-00-002 | R H Tongue Tube | 1 |
| 8 | 307-01-00-003 | Tongue Sleeve | 2 |
| 9 | 307-01-00-004 | Tongue Brace | 2 |
| 10 | 307-01-00-032 | Tongue Sleeve Gusset | 4 |
| 11 | 315-36-00-143 | Slotted Strap | 2 |
| 12 | 315-36-00-146 | Tongue Side Piece | 4 |
| 13 | 315-36-00-147 | Tongue Tube End Cap | 2 |
| 14 | 315-36-00-145 | Bushing | 2 |
| 15 | 315-39-00-155 | Lock Pin | 2 |
| 16 | 307-27-00-064 | Cylinder Brkt Holder | 1 |
| 17 | 307-27-00-063 | Hydraulic Cylinder Brkt | 1 |
| 18 | 307-03-00-061 | Hitch Tube | 1 |
| 19 | 315-98-35-425 | Tongue Hitch Saddle Plates | 2 |
| 20 | 307-03-00-062 | Saddle Plate Gusset | 2 |
| 21 | 315-98-35-426 | Tongue Hitch Back Plate | 1 |
| 22 | 315-38-00-152 | Hitch Bottom Piece | 1 |
| 23 | 315-38-00-153 | Hitch Top Piece | 1 |
| 24 | 315-98-35-427 | Tongue Hitch Gusset | 2 |
| 25 | 307-03-02-007 | Hydraulic Cylinder Upper Brkt | 1 |
| 26 | 307-10-00-030 | Hydraulic Hoses | 2 |
| 27 | R21267 | 3/8 Male Stem & Ferrule | 4 |
| 28 | R20727 | 3 x 8 Hydraulic Cylinder | 1 |
| 29 | R21367 | 1/2 x 90° NPT Elbow | 2 |
| 30 | R11114 | Hydraulic Cylinder Pin | 2 |
| 31 | R08011 | 3/16 x 1 1/2 Cotter Pin | 2 |
| 32 | R09750 | 7000 Lb Top Wind Jack Complete | 1 |
| 33 | R07872 | 7/16 x 1 1/4 S S Hex Bolt | 4 |
| 34 | R07830 | 1 1/4 Flat Washer | 4 |
| 35 | R08016 | 1/4 x 2 Cotter Pin | 2 |
| 36 | R02043 | 1/2 x 3/8 Bushing | 2 |

VALVE 8 CYLINDER COMPLETE W/ HOSES

307-30-00-000



| Key | Part Number | Description | Qty |
|-----|---------------|---------------------------------|-----|
| 1 | 307-37-00-000 | Valve & Cylinder Assy w/flanges | 1 |
| 2 | 307-37-18-000 | Valve & Cylinder Assy | 1 |
| 3 | 307-36-00-000 | Cylinder & Indicator Rod Assy | 1 |
| 4 | 307-13-00-000 | Fan Housing Assy | 1 |
| 5 | 307-17-00-000 | Fan Assy | 1 |
| 6 | 307-21-00-000 | Oil Seal & Plate Assy | 1 |
| 7 | 307-20-00-000 | Hyd Hose Assy | 2 |
| 8 | 307-14-00-040 | Housing Back Plate | 1 |
| 9 | 307-14-00-041 | Valve to Housing Pipe | 1 |
| 10 | 307-14-00-042 | Tank to Valve Tube | 1 |
| 11 | 307-14-00-043 | Outer Flange | 1 |
| 12 | 307-13-00-033 | Housing Ring | 1 |
| 13 | 307-13-00-034 | Housing Cover Plate | 1 |
| 14 | 307-13-00-035 | Housing Band | 1 |
| 15 | 308-07-00-079 | Barbed Connector | 4 |
| 16 | 307-13-00-037 | Brg Brkt | 1 |
| 17 | 307-13-00-038 | Guard Mount Brkt | 2 |
| 18 | 307-13-00-060 | Drain Pipe | 1 |
| 19 | 307-17-00-051 | Fan Shaft | 1 |
| 20 | 307-17-00-052 | Fan Back Plate | 1 |
| 21 | 307-17-00-053 | Fan Blades | 4 |
| 22 | 307-17-00-054 | Fan Gusset | 4 |
| 23 | 300-14-00-059 | Oil Seal Plate | 1 |
| 24 | 315-00-00-139 | PTO Flip Guard | 1 |
| 25 | 307-20-00-059 | Hyd Hose | 2 |
| 26 | R21267 | 3/8 Male Stem & Ferrule | 4 |
| 27 | R20185 | 1 3/8 Flange Brg | 2 |
| 28 | R21181 | Oil Seal | 1 |
| 29 | R02284 | 1 1/2" ABS Plug | 1 |
| 30 | R07733 | 7/16 x 1 1/2 Carriage Bolt | 4 |
| 31 | R07619 | 3/8 x 1 Hex Hd Bolt | 16 |
| 32 | R07786 | 3/8 - 2 Way Lock Nut | 2 |
| 33 | R07732 | 7/16 x 1 1/4 Carriage Bolt | 4 |
| 34 | R07784 | 7/16 Hex Nut | 14 |
| 35 | R07804 | 7/16 Lock Washer | 14 |
| 36 | R07783 | 3/8 Hex Nut | 12 |
| 37 | R07803 | 3/8 Lock Washer | 12 |

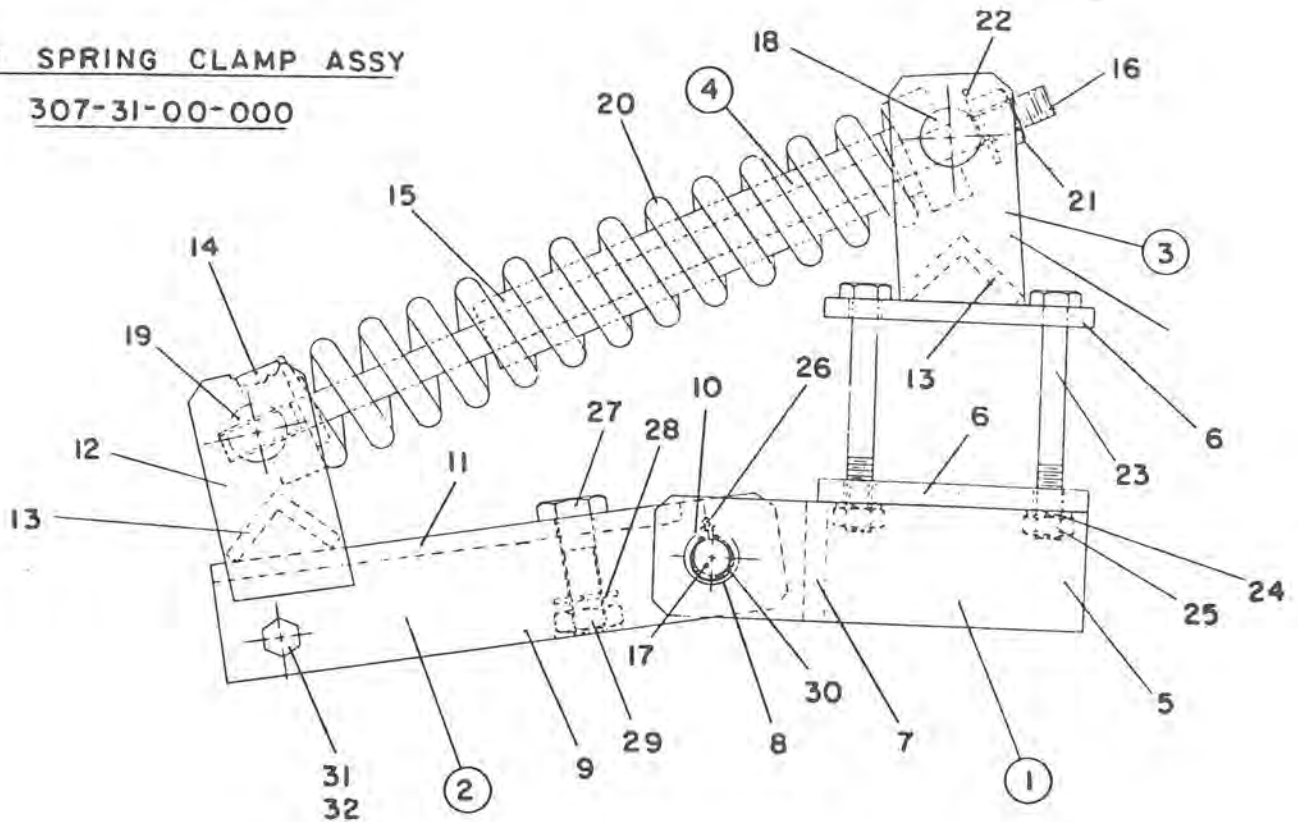


| Key | Part Number | Description | Qty |
|-----|---------------|---|-----|
| 1 | 307-37-00-000 | Valve & Cylinder Assy w/flanges | 1 |
| 2 | 307-37-18-000 | Valve Flange & Cylinder Complete | 1 |
| 3 | 307-13-00-000 | Fan Housing Assy | 1 |
| 4 | 307-17-00-000 | Fan Assy | 1 |
| 5 | 307-23-00-000 | 1240 PTO - 540 RPM Q D Both Ends | 1 |
| | 307-24-00-000 | 1240 PTO - 540 RPM Q D Spreader End - 1000 RPM Q D Tractor End | * |
| 6 | 300-00-00-060 | 1/4" Sq Key | 1 |
| 7 | R20302 | 6 Tooth Q D Yoke - Standard | 2 |
| 8 | R20307 | 21 Tooth Q D Yoke - Optional | |
| 9 | R20434 | 6 Tooth Spline Adaptor | 1 |
| 10 | R07906 | Allen Hd Set Screw 5/16 x 3/8 | 1 |
| 11 | R04027 | Strip Caulking | 1 |

* - Optional

HD SPRING CLAMP ASSY

307-31-00-000



| Key | Part Number | Description | Qty |
|-----|---------------|---------------------------|-----|
| 1 | 307-31-09-000 | Main Brkt Assy | 1 |
| 2 | 307-31-10-000 | Lower Brkt Assy | 1 |
| 3 | 307-31-11-000 | Bolt Plate Assy | 1 |
| 4 | 307-31-12-000 | Shaft Guide Assy | 1 |
| 5 | 307-31-09-069 | Main Brkt | 2 |
| 6 | 307-31-09-070 | Bolt Plate | 2 |
| 7 | 307-31-09-071 | Spacer Bar | 1 |
| 8 | 307-31-09-072 | Outer Bushing | 2 |
| 9 | 307-31-10-073 | Lower Brkt | 2 |
| 10 | 307-31-10-074 | Inner Bushing | 1 |
| 11 | 307-31-10-075 | Lower Brkt Spacer Bar | 1 |
| 12 | 307-31-10-076 | Spring Pin Brkt | 2 |
| 13 | 307-31-10-077 | Angle Support | 2 |
| 14 | 307-31-12-078 | Spring Holder Block | 2 |
| 15 | 307-31-12-079 | Spring Shaft Guide | 1 |
| 16 | 307-31-00-080 | Spring Shaft | 1 |
| 17 | 307-31-00-081 | Pivot Shaft | 1 |
| 18 | 307-31-00-082 | Upper Cross Pin | 1 |
| 19 | 307-31-00-083 | Lower Cross Pin | 1 |
| 20 | R08029 | Spring | 1 |
| 21 | R07881 | 3/4" Lock Nut | 1 |
| 22 | R07827 | 3/4" Flat Washer | 1 |
| 23 | R07653 | 5/8 x 6 Hex Hd Bolt | 4 |
| 24 | R07806 | 5/8 Lock Washer | 4 |
| 25 | R07786 | 5/8 Hex Nut | 4 |
| 26 | R08183 | 1/4-28 UNF Grease Fitting | 1 |
| 27 | R07691 | 7/8 x 3 Hex Hd Bolt | 1 |
| 28 | R07809 | 7/8 Lock Washer | 1 |
| 29 | R07789 | 7/8 Hex Nut | 1 |
| 30 | R07968 | H D Snap Ring | 2 |
| 31 | R07643 | 1/2 x 4 Hex Hd Bolt | 1 |
| 32 | R07885 | 1/2" Lock Nut | 1 |

