

*Office copy.
Dec 23/94
10 made.*

Date Purchased _____ Machine Serial No. _____

Options _____

PLEASE NOTE:

The key number system in this parts book is arranged as follows:

- 0 -- Key number with one circle denotes main assemblies
- Key Numbers not circled are individual parts.

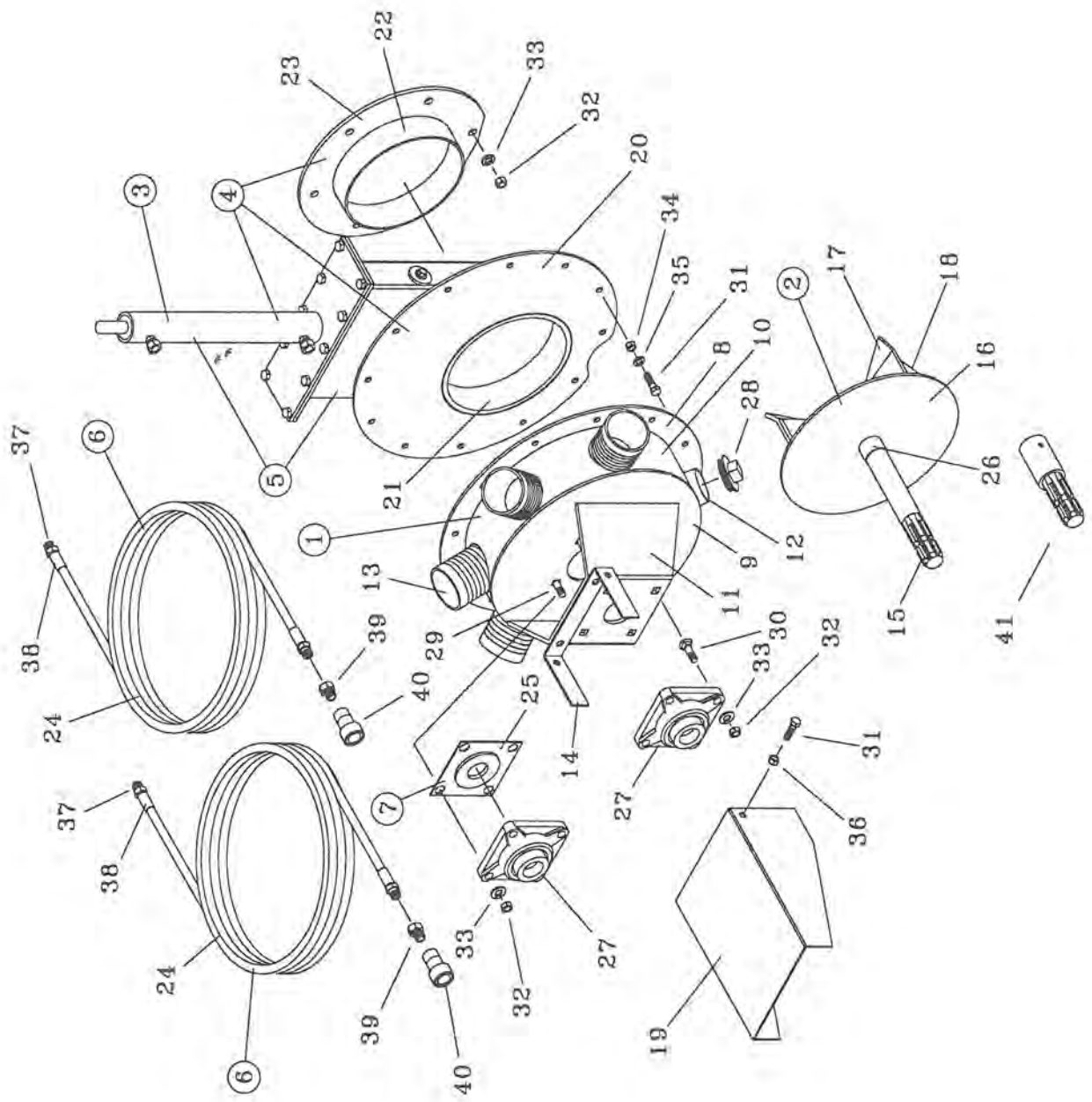
Please order parts by number

HUSKY MANURE
FRONT MOUNT SOIL INJECTOR

OPERATING INSTRUCTIONS:

Your Husky Front Mounted Soil Injector is designed to open up the ground wide enough to pump in a stream of manure below the ground surface. Although it is a well built machine it is not indestructible and should be used with common sense.

1. Do not try to operate in sod fields or very hard or stoney ground. It should be used only on cultivated fields.
2. Do not try and put into the ground when machine is not moving.
3. Do not place tooth in front of spreader tire as it will only allow the spreader tire to sink and push all the liquid out of the ground.
4. Volume can be controlled by P.T.O. speeds and ground travel speed as well as how far you open valve.
5. Your P.T.O. shear pin will protect the injector pump however you should try and not inject foreign material, stones etc. Pump can be run at either 540 or 1000 r.p.m. - with some tractors it may be necessary to stop P.T.O. or slow it down while turning avoid shearing pins.
6. EXTREME DANGER - Never enter a dirty manure spreader or storage tank - one breath of hydrogen sulphide gas is enough to kill.

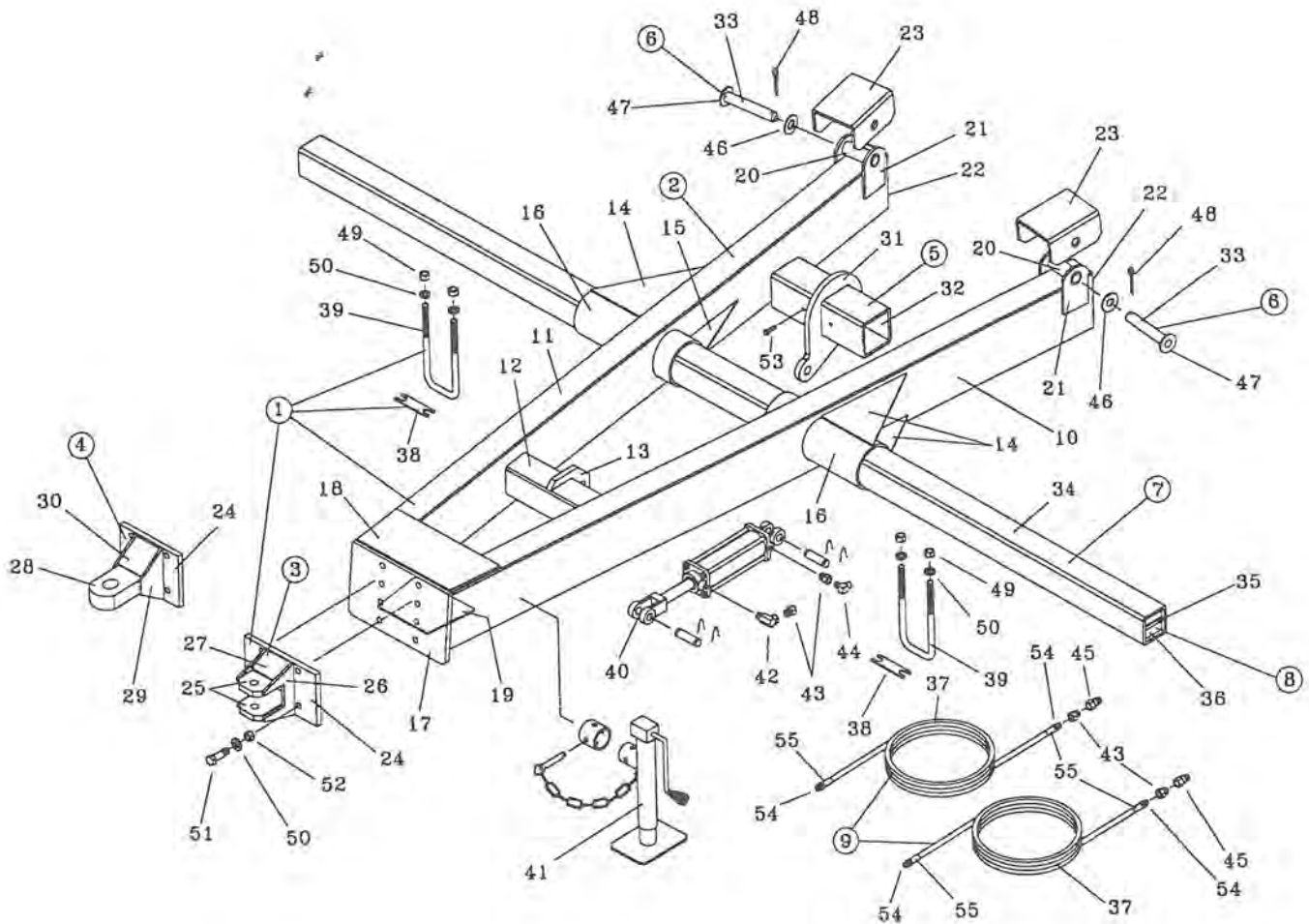


FAN HOUSING

<u>KEYS</u>	<u>PARTS NUMBER</u>	<u>DESCRIPTION</u>	<u>QTY</u>
1	307-13-00-000	Fan Housing Assy.	1
2	307-17-00-000	Fan Assy.	1
3	307-36-00-000	Cylinder & Indicator Rod Assy	1
4	307-37-00-000	Valve & Cylinder Assy. w/ Flanges	1
5	307-37-18-000	Valve & Cylinder Assy.	1
6	307-20-00-000	Hyd Hose Assy.	2
7	364-54-00-000	Seal & Plate Kit	1
8	307-31-00-033	Housing Ring	1
9	307-13-00-034	Housing Cover Plate	1
10	307-13-00-035	Housing Band	1
11	307-13-00-037	Bearing Brkt	1
12	307-13-00-060	Drain Pipe	1
13	308-07-00-079	Barbed Connector	4
14	330-00-00-538	PTO Guard Bracket	1
15	307-17-00-051	Fan Shaft	1
16	307-17-00-052	Fan Back Plate	1
17	307-17-00-053	Fan Blades	4
18	307-17-00-054	Fan Blade Gusset	4
19	330-00-00-537	PTO Flip Guard	1
20	307-14-00-040	Housing Back Plate	1
21	307-14-00-041	Valve To Housing Pipe	1
22	307-14-00-042	Tank To Valve Tube	1
23	307-14-00-043	Outer Flange	1
24	307-20-00-059	Hyd Hose	2
25	364-54-00-173	Seal Plate	1
26	307-00-00-125	Stainless Steel Sleeve	1
27	R20185	1 3/8 Flange Brg.	2
28	R02284	1 1/2 ABS Plug	1
29	R07733	7/16 x 1 1/2 Carriage Bolt	4
30	R07732	7/16 x 1 1/4 Carriage Bolt	4
31	R07619	3/8 x 1 Hex Bolt	14
32	R07784	7/16 Hex Nut	14
33	R07804	7/16 Lock Washer	14
34	R07783	3/8 Hex Nut	12
35	R07803	3/8 Lock Washer	12
36	R07786	3/8 - 2 Way Lock Nut	2
37	R20803	3/8 Stem	4
38	R21231	Ferrules	4
39	R02083	1/2 x 3/8 Bushing	2
40	R21342	Pioneer Coupler	2
41	R20434	6 Tooth Spline Adaptor	1

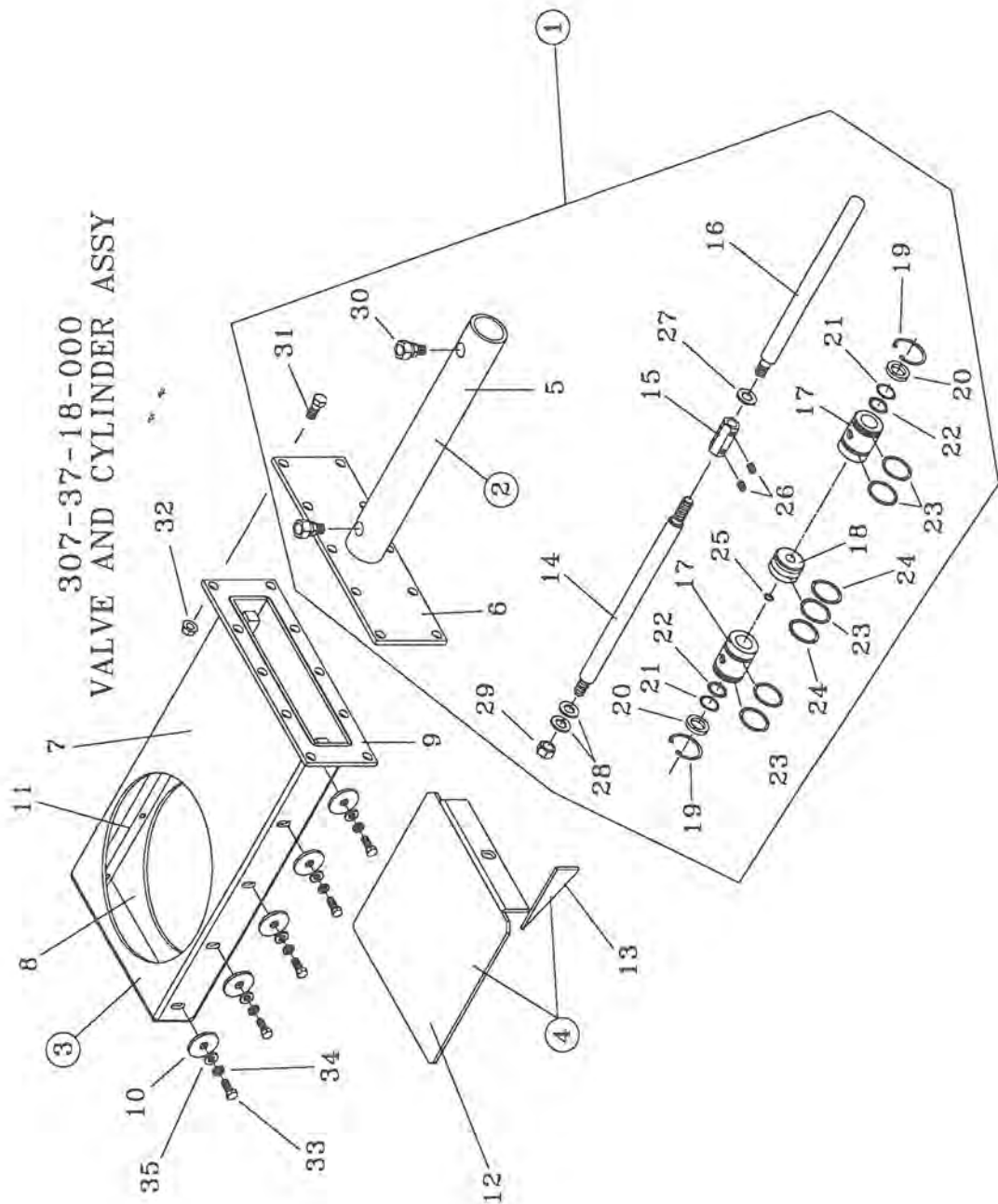
TONGUE & HITCH

<u>KEYS</u>	<u>PARTS NUMBER</u>	<u>DESCRIPTION</u>	<u>QTY</u>
1	307-40-00-000	Tongue Kit w/ Ubolts, Pins, Hitch & Jack	1
2	307-40-29-000	Tongue Assy.	1
3	364-05-00-000	Std. Hitch Assy.	1
4	364-26-00-000	Single Point Hitch Assembly	*
<hr/>			
5	307-27-00-000	Cylinder Brkt Assy.	1
6	315-39-00-000	Lock Pin Assy.	2
7	307-06-00-000	Cross Mount Tube Assy.	1
8	307-06-13-000	Reinforcing Bar Assy.	1
<hr/>			
9	307-10-00-000	Hydraulic Hose Assy.	2
10	307-40-29-126	LH Tongue Tube	1
11	307-40-29-127	RH Tongue Tube	1
12	307-40-29-128	Tongue Cross Tube	1



TONGUE & HITCH CONTINUED

<u>KEYS</u>	<u>PARTS NUMBER</u>	<u>DESCRIPTION</u>	<u>QTY</u>
13	307-40-29-129	Cylinder Lug	1
14	307-40-29-130	Large Gusset	4
15	307-40-29-131	Small Gusset	2
16	307-01-00-003	Tongue Sleeve	2
17	364-35-00-117	Hitch Bolt Plate	1
18	364-35-00-118	Tongue Tube Upper Gusset	1
19	364-35-00-119	Tongue Tube Lower Gusset	1
20	315-36-00-145	Bushing	2
21	315-36-00-146	Tongue Side Piece	4
22	315-36-00-147	End Cap	2
23	315-31-00-115	Tongue "U" Piece	1
24	364-05-00-030	Hitch Back Plate	1
25	364-05-00-031	Hitch Plate	2
26	364-05-00-032	Hitch Side Gusset	2
27	364-05-00-032	Hitch Upper Gusset	2
28	364-26-00-091	Single Point Hitch	1
29	364-26-00-092	Single Point Hitch Side Gusset	2
30	364-26-00-093	Upper & Lower Gusset	2
31	307-27-00-063	Hydraulic Cylinder Brkt	1
32	307-27-00-064	Cylinder Brkt Holder	1
33	315-39-00-155	Lock Pin	2
34	307-06-00-016	Cross Mount Tube	1
35	307-06-13-084	Reinforcing Bar	1
36	307-06-13-085	Reinforcing Bar Supports	10
37	307-10-00-030	Hydraulic Hose	2
38	364-00-00-131	U Bolt Spacer	2
39	R08172	U Bolt	2
40	R20727	3 x 8 Hydraulic Cylinder	1
41	R09751	7000Lb Side Wind Jack w/ Bolt	1
42	R21335	90 Deg. Restrictor	1
43	R02043	1/2 x 3/8 Bushing	4
44	R21367	1/2 x 90 Steel Elbow	1
45	R21342	1/2" Pioneer Coupling	2
46	R07830	1 1/4 Flat Washer	2
47	R07828	1" Flat Washer	2
48	R08016	1/4 x 2 Cotter Pin	2
49	R07820	3/4 NF Hex Nut	4
50	R07807	3/4 Lock Washer	8
51	R07655	3/4 x 2 1/2 Hex Hd Bolt	4
52	R07787	3/4" NC Hex Nut	4
53	R07872	7/16 x 1 1/4 SS Hex Bolt	4
54	R20803	3/8-18 NPT Solid Male Stem	4
55	R21231	Ferrules	4

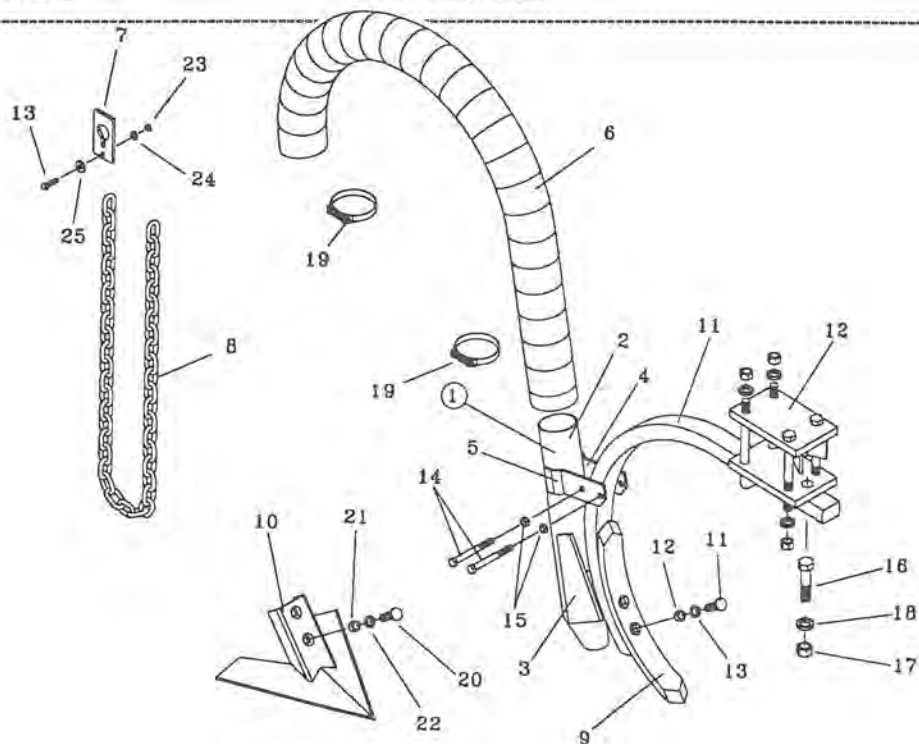


VALVE & CYLINDER ASSY.

<u>KEYS</u>	<u>PARTS NUMBER</u>	<u>DESCRIPTION</u>	<u>QTY</u>
1	307-36-00-000	Cylinder & Indicator Rod Assy.	1
2	307-36-17-000	Cylinder Tube & Flange Assy.	1
3	242-06-06-000	Valve Housing Assy.	1
4	242-06-07-000	Valve Gate Assy.	1
5	340-50-25-470	Cylinder Tube	1
6	270-55-26-159	Cylinder Flange	1
7	242-06-06-029	Valve Main Body	1
8	242-06-06-030	Valve Top Plate	1
9	242-06-06-031	Valve Flange	1
10	242-00-00-041	Guide Bar Washer	10
11	242-00-00-040	Valve Guide Bar	2
12	242-06-07-032	Valve Gate	1
13	242-06-07-033	Valve Gate Gusset	1
14	307-29-00-068	Cylinder Shaft	1
15	340-50-00-469	Shaft Connector	1
16	307-36-00-099	Indicator Rod	1
17	340-36-00-434	Wiper Block	2
18	340-36-00-435	Cylinder Plunger	1
19	R07967	Retaining Ring	2
20	R20774	Rod Wiper	2
21	R20862	Back Up #210	2
22	R20771	O Ring #11-210	2
23	R20866	O Ring #11-218	3
24	R20867	Back Up #8-218	2
25	R20865	O Ring #11-014	1
26	R07906	5/16 x 3/8 Set Screws	2
27	R07825	1/2 Flat Washer	1
28	R07853	1/2 SAE Flat Washer	2
29	R07885	1/2" 2 Way Lock Nut	1
30	R21287	1/4 M x 3/8 F Straight Swivel Adaptor	2
31	R07619	3/8 x 1 Hex Bolt	10
32	R07794	3/8 Flange Nut	10
33	R07611	5/16 x 1 Hex Bolt	10
34	R07802	5/16 Lock Washer	10
35	R07822	5/16 Flat Washer	10

INJECTOR TUBES & TEETH

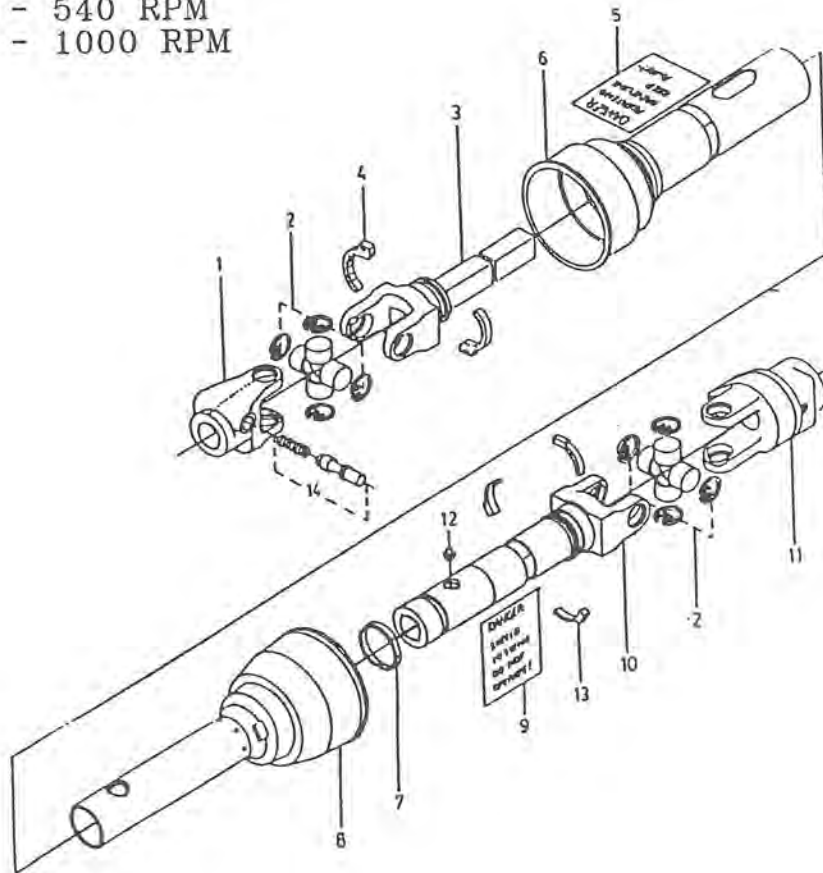
<u>KEYS</u>	<u>PARTS NUMBER</u>	<u>DESCRIPTION</u>	<u>QTY</u>
1	307-09-00-000	Injector Tube Assy.	4
2	307-09-00-022	Injector Tube	4
3	307-09-00-024	Injector Tube Lower Brkt	4
4	307-09-00-065	RH Upper Injector Tube Brkt	4
5	307-09-00-066	LH Upper Injector Tube Brkt	4
6	307-00-00-025	Short Injector Hose	2
	307-00-00-098	Short Injector Hose Used w/ Spring Clamp	*
	307-00-00-026	Long Injector Tube	2
	307-00-00-097	Long Injector Hose Used w/ Spring Clamp	*
7	307-00-00-055	Chain Brkt	2
8	307-00-00-056	Hose Chain	2
9	R09566	2" Chisel Point c/w Bolts	4
10	R09553	12" Chisel Sweep	*
11	R09563	Spring Tooth 1 1/4 x 2 x 26	4
12	R09565	Rigid Clamp w/Bolts	4
13	R07612	5/16 x 1 1/2 Hex Bolt	2
14	R07634	7/16 x 4 Hex Bolt	8
15	R07891	7/16 Lock Nut	8
16	R07691	7/8 x 3 Hex Bolt	4
17	R07789	7/8 Hex Nut	4
18	R07809	7/8 Lock Washer	4
19	R02480	3" Super Clamp	8
20	R09561	Plow Bolts 1/2-13 UNC x 2 1/2	8
21	R07785	1/2 Hex Nut	8
22	R07805	1/2" Lock Washer	8
23	R07782	5/16 Hex Nut	2
24	R07802	5/16 Lock Washer	2
25	R07822	5/16 Flat Washer	2



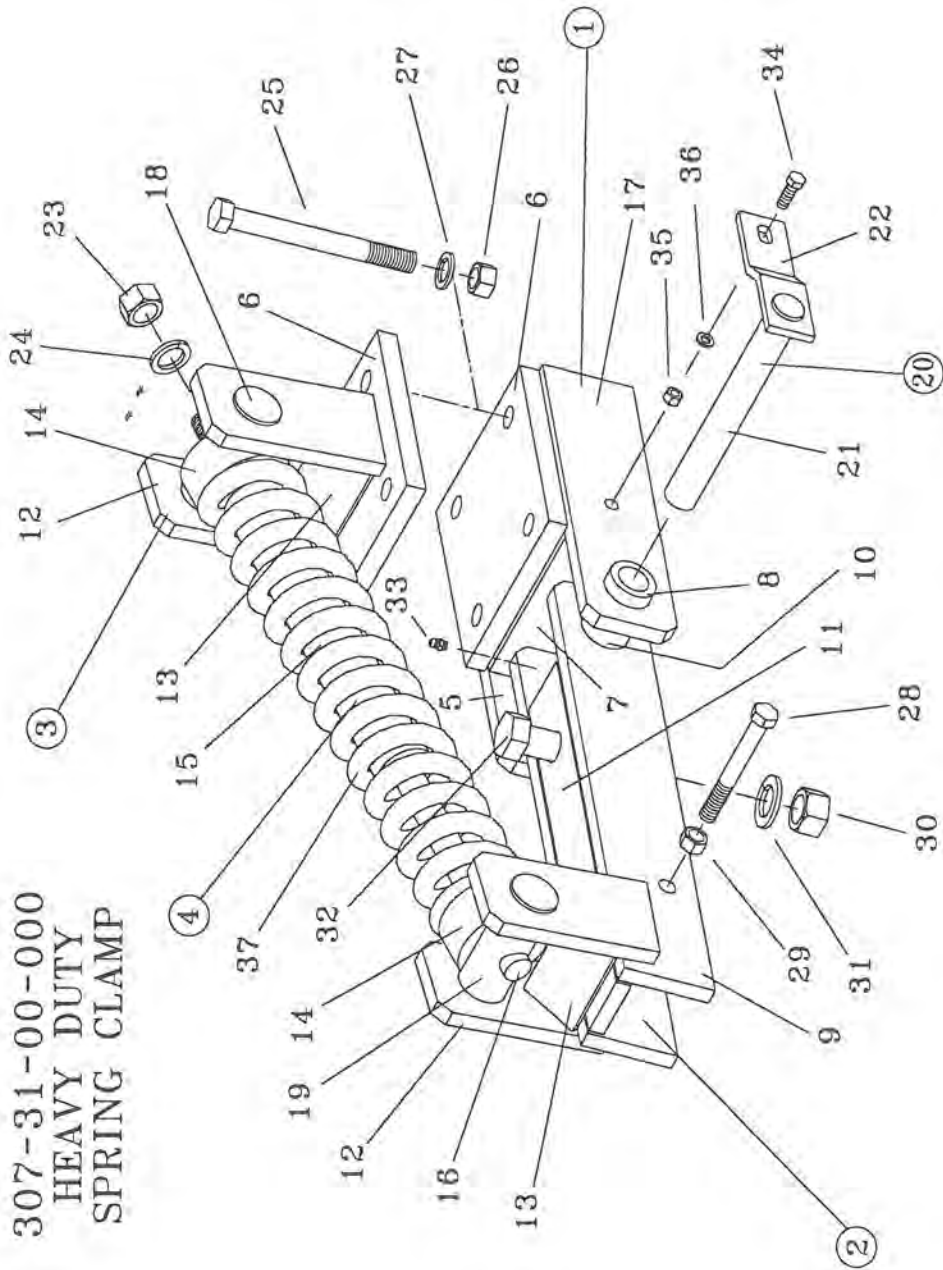
FRONT MOUNT SOIL INJECTOR PTO - R20285 540 RPM
 - R20284 1000 RPM

<u>KEY</u>	<u>PART #</u>	<u>MFG #</u>	<u>DESCRIPTION</u>	<u>TECH. DATA</u>	<u>QTY</u>
1	R20320	2.4 x 0.6451	End Yoke - 540 RPM	1.375-6 Spl. QD.	1
	R21518	2.4 x 0.6611	End Yoke - 1000 RPM	1.375-21 Spl. QD.	*
2	R20304	HM.129	Cross & Bearing Kit		2
3	R21520	2.82.82 x 02928	Yoke & Bar Assy.		1
4	R20378	2.1600.333	Shield Bearing		2
5	R21521	383333	Outer Decal - In Item 6		1
6	R20418	229222x0.2616	Outer Shield	L = 673.1 mm	1
7	R20346	2.1600.233	Shield Bearing		1
8	R21522	229223 x 0.3204	Inner Shield	L = 816 mm	1
9	R21523	383334	Inner Decal on Item 9		1
10	R21524	2.60.447 x 03422	Yoke, Tube, Slv. Assy.		1
11	R21529	229533 x 0.2	Shear Clutch	1.375 6 Spl. QD.	1
12	R21526	27942600	Zerk		2
13	R21527	2.1600.273	Shield Bearing		3
14	R21528	229291 x 0	QD Pin Service Kit		2

R20285 - 540 RPM
 R20284 - 1000 RPM



307-31-00-000
 HEAVY DUTY
 SPRING CLAMP



HEAVY DUTY SPRING CLAMP

<u>KEYS</u>	<u>PARTS NUMBER</u>	<u>DESCRIPTION</u>	<u>QTY</u>
1	307-31-09-000	Main Brkt Assy.	1
2	307-31-10-000	Lower Brkt Assy.	1
3	307-31-11-000	Bolt Plate Assy.	1
4	307-31-12-000	Shaft Guide Assy.	1
5	307-31-09-069	Pivot Brkt	2
6	307-31-09-070	Bolt Plate	2
7	307-31-09-071	Spacer Bar	1
8	307-31-09-072	Outer Bushing	2
9	307-31-10-073	Lower Brkt	2
10	307-31-10-074	Inner Bushing	1
11	307-31-10-075	Lower Brkt Spacer Bar	1
12	307-31-10-076	Spring Pin Brkt	4
13	307-31-10-077	Angle Support	2
14	307-31-12-078	Spring Holder Block	2
15	307-31-12-079	Spring Shaft Guide	1
16	307-31-00-080	Spring Shaft	1
17	307-31-09-134	Pivot Brkt w/Hole	1
18	307-31-00-082	Upper Cross Pin	1
19	307-31-00-083	Lower Cross Pin	1
20	307-31-31-000	Pivot Shaft Assy.	1
21	307-31-31-132	Pivot Shaft	1
22	307-31-31-133	Pivot Shaft Brkt	1
23	R07881	3/4" Lock Nut	1
24	R07827	3/4" Flat Washer	1
25	R07653	5/8 x 6 Hex Bolt	1
26	R07786	5/8 Hex Nut	1
27	R07806	5/8 Lock Washer	1
28	R07643	1/2 x 4 Hex Bolt	1
29	R07885	1/2" Lock Nut	1
30	R07789	7/8 Hex Nut	1
31	R07809	7/8 Lock Washer	1
32	R07691	7/8 x 3 Hex Bolt	1
33	R08183	1/4-28 UNF Straight Grease Fitting	1
34	R07675	3/8 x 1 1/4 Hex Bolt	1
35	R07783	3/8 Hex Nut	1
36	R07803	3/8 Lock Washer	1
37	R08029	H.D. Spring	1

