

Date Purchased _____ Machine Serial No. _____

Options _____

The key number system in this parts book is arranged as follows:

- ◎ - Key numbers with two circles denotes main assemblies.
- - Key numbers with one circle are individual parts

Please order parts by number



HEAVY DUTY REAR MOUNT SOIL INJECTOR

620-00-00-000

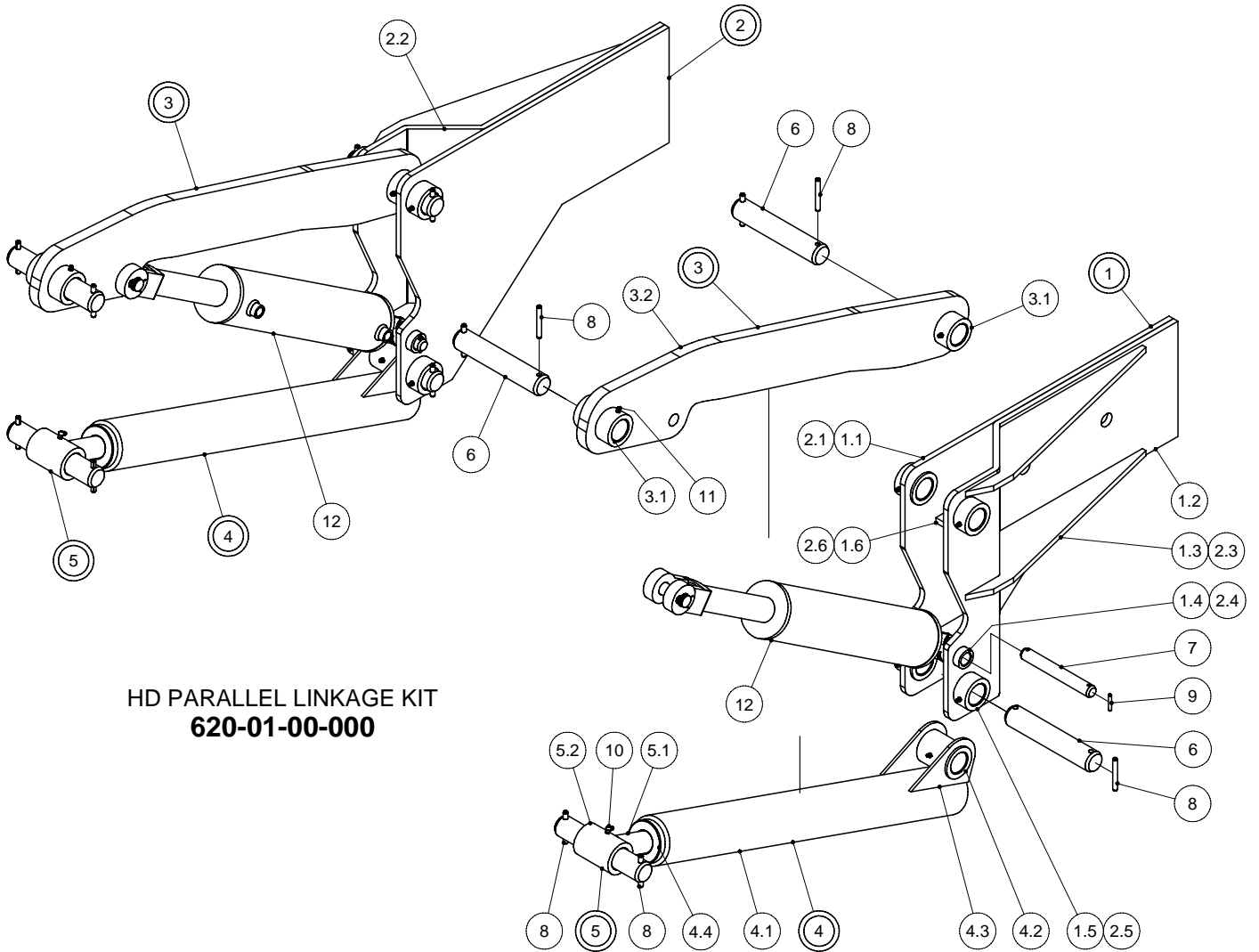
621-00-00-000

OPERATING INSTRUCTIONS:

Your Husky Rear Mount Soil Injector is designed to open up the ground wide enough to pump in a stream of manure below the ground surface. Although it is a well built machine it is not indestructible and should be used with common sense

1. Do not try to operate in very hard or stony ground
2. Volume can be controlled by P.T.O. and ground travel speed, as well as how far you open the valve.
3. Your P.T.O. shear pin will protect the injector pump. However, you should try and not inject foreign material, stones etc. Pump can be run at either 540 or 1000 r.p.m, with some tractors it may be necessary to stop P.T.O. or slow it down while turning to avoid shearing pins.
4. Never make a corner with RMSI still in the ground. Lift Injector out of the ground, and then proceed to turn. The injector can then be put back into the ground when tractor is in-line with spreader.
5. **EXTREME DANGER** – Never enter a dirty manure spreader or storage tank – one breath of hydrogen sulphide gas is enough to kill.

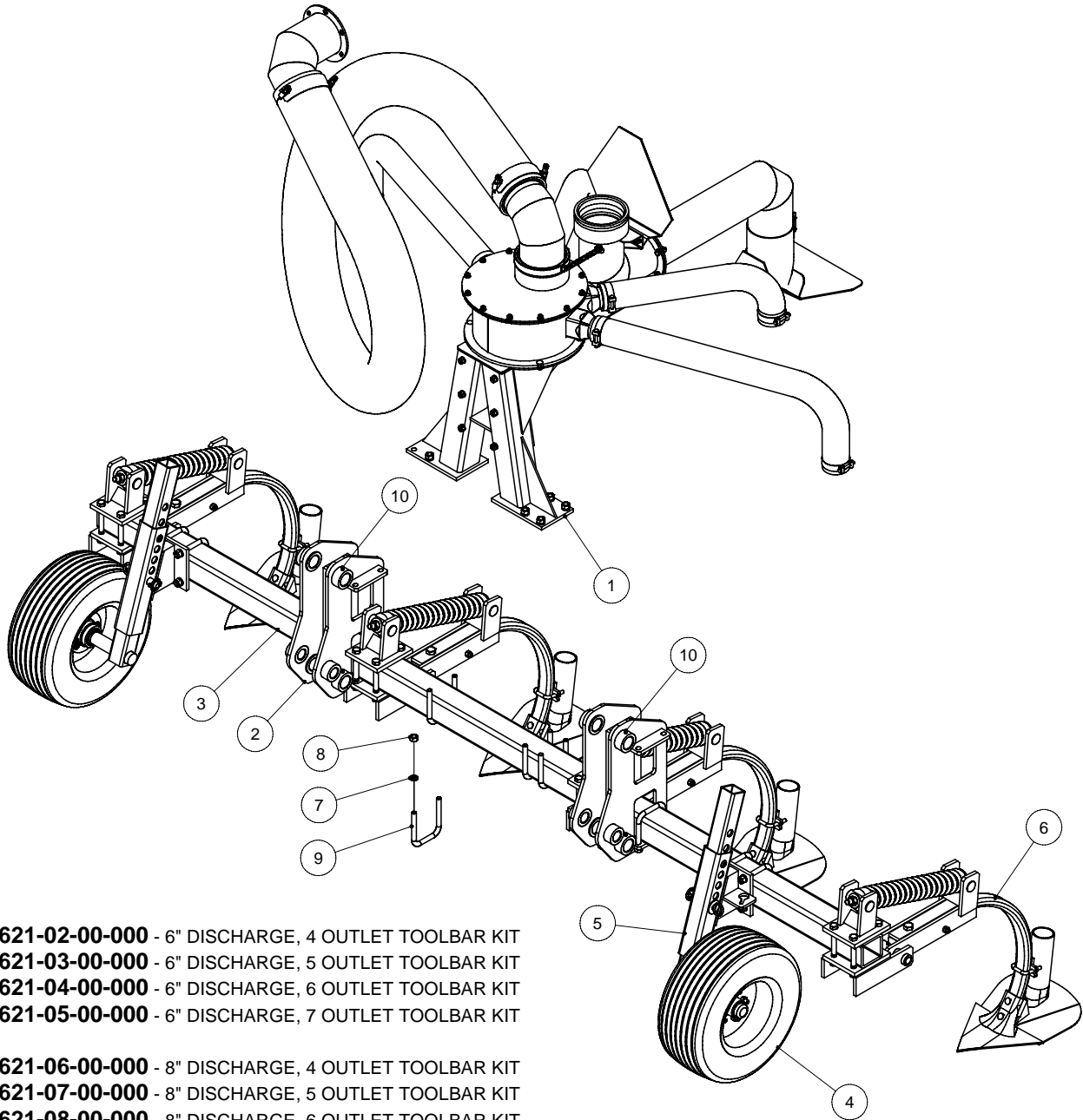
HD PARALLEL LINKAGE KIT



**HD PARALLEL LINKAGE KIT
620-01-00-000**

PARTS LIST				PARTS LIST			
ITEM	PART NUMBER	DESCRIPTION	QTY	ITEM	PART NUMBER	DESCRIPTION	QTY
1	620-01-01-000	RH MOUNTING BRKT ASSY	1	3.2	620-01-03-008	UPPER LIFT ARM	1
1.1	620-01-01-001	INNER MOUNTING BRKT	1	4	620-01-04-000	LOWER LIFT ARM ASSY	2
1.2	620-01-01-002	RH OUTER MOUNTING BRKT	1	4.1	620-01-04-010	LOWER LIFT ARM TUBE	1
1.3	620-01-01-004	OUTER GUSSET	2	4.2	620-01-04-011	1 3/4" LOWER LIFT ARM BUSHING	1
1.4	620-01-01-006	CYL BUSHING	2	4.3	620-01-04-012	BUSHING GUSSET	2
1.5	620-01-01-005	1 3/4" OUTER BUSHING	4	4.4	620-01-04-013	1 3/4" ADJUSTMENT NUT	1
1.6	620-01-01-007	INNER GUSSET	2	5	620-01-05-000	ADJUSTMENT SCREW ASSY	2
2	620-01-02-000	LH MOUNTING BRKT ASSY	1	5.1	620-01-05-014	ADJUSTMENT ROD	1
2.1	620-01-01-001	INNER MOUNTING BRKT	1	5.2	620-01-04-011	1 3/4" LOWER LIFT ARM BUSHING	1
2.2	620-01-02-003	LH OUTER MOUNTING BRKT	1	6	620-01-00-021	1 3/4" PIVOT PIN	8
2.3	620-01-01-004	OUTER GUSSET	2	7	620-01-00-022	CYL PIN	2
2.4	620-01-01-005	1 3/4" OUTER BUSHING	4	8	R07987	3/8 x 3" ROLL PIN	16
2.5	620-01-01-006	CYL BUSHING	2	9	R07962	1/4 x 1 1/2 ROLL PIN	4
2.6	620-01-01-007	INNER GUSSET	2	10	R08182	1/4" - 28 X 90 GREASE FITTING	2
3	620-01-03-000	UPPER LIFT ARM ASSY	2	11	R08183	1/4" - 28 STRAIGHT GREASE FITTING	14
3.1	620-01-03-009	1 3/4" UPPER LIFT ARM BUSHING	2	12	R22340	40WD16-200 HYD CYLINDER	2

TOOLBAR KIT 4 x 4 TUBE

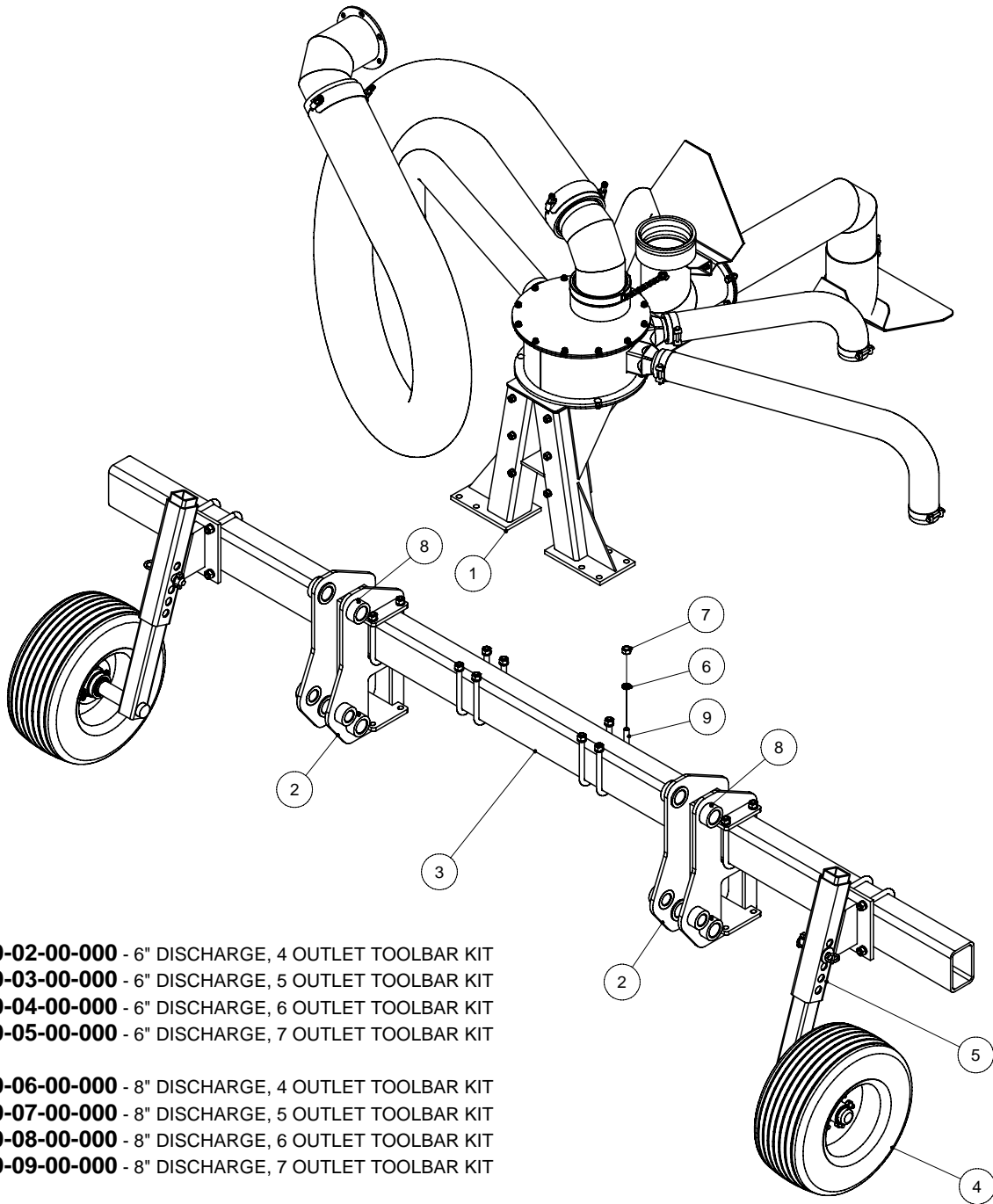


621-02-00-000 - 6" DISCHARGE, 4 OUTLET TOOLBAR KIT
621-03-00-000 - 6" DISCHARGE, 5 OUTLET TOOLBAR KIT
621-04-00-000 - 6" DISCHARGE, 6 OUTLET TOOLBAR KIT
621-05-00-000 - 6" DISCHARGE, 7 OUTLET TOOLBAR KIT

621-06-00-000 - 8" DISCHARGE, 4 OUTLET TOOLBAR KIT
621-07-00-000 - 8" DISCHARGE, 5 OUTLET TOOLBAR KIT
621-08-00-000 - 8" DISCHARGE, 6 OUTLET TOOLBAR KIT
621-09-00-000 - 8" DISCHARGE, 7 OUTLET TOOLBAR KIT

PARTS LIST				PARTS LIST			
ITEM	PART NUMBER	DESCRIPTION	QTY	ITEM	PART NUMBER	DESCRIPTION	QTY
1	620-02-01-000	SPLASH PLATE-6in DISCHARGE, 4 OUTLET	1	3	308-19-00-052	TOOL BAR - 12 FT	1
	620-03-01-000	SPLASH PLATE-6in DISCHARGE, 5 OUTLET	1	4	308-84-00-000	20.5/8.0 TIRE & WHEEL ASSY	2
	620-04-01-000	SPLASH PLATE-6in DISCHARGE, 6 OUTLET	1	5	308-85-00-000	ADJUSTABLE WHEEL BRKT KIT	1
	620-05-01-000	SPLASH PLATE-6in DISCHARGE, 7 OUTLET	1	6	621-01-00-000	HUSKY SPRING TOOTH KIT	4
	620-06-01-000	SPLASH PLATE-8in DISCHARGE, 4 OUTLET	1	7	R07806	5/8" LOCK WASHER	16
	620-07-01-000	SPLASH PLATE-8in DISCHARGE, 5 OUTLET	1	8	R07816	5/8-18 UNF HEX NUT	16
	620-08-01-000	SPLASH PLATE-8in DISCHARGE, 6 OUTLET	1	9	R08181	5/8 - 18 UNF U-BOLT x 6" LONG	8
	620-09-01-000	SPLASH PLATE-8in DISCHARGE, 7 OUTLET	1	10	R08183	1/4" - 28 STRAIGHT GREASE FITTING	8
2	620-02-04-000	LIFT BRKT KIT	2				

TOOLBAR KIT 4 x 6 TUBE

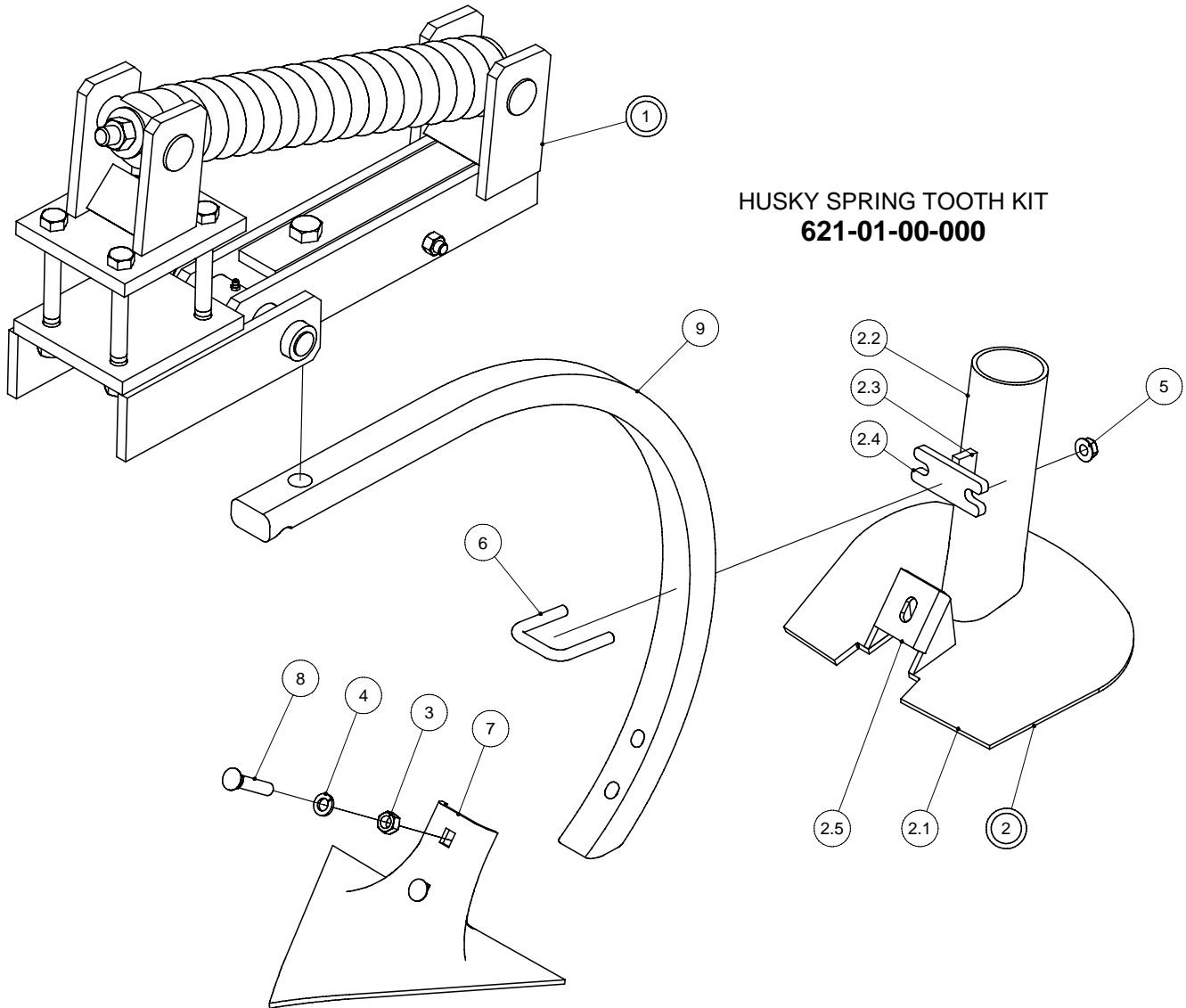


620-02-00-000 - 6" DISCHARGE, 4 OUTLET TOOLBAR KIT
620-03-00-000 - 6" DISCHARGE, 5 OUTLET TOOLBAR KIT
620-04-00-000 - 6" DISCHARGE, 6 OUTLET TOOLBAR KIT
620-05-00-000 - 6" DISCHARGE, 7 OUTLET TOOLBAR KIT

620-06-00-000 - 8" DISCHARGE, 4 OUTLET TOOLBAR KIT
620-07-00-000 - 8" DISCHARGE, 5 OUTLET TOOLBAR KIT
620-08-00-000 - 8" DISCHARGE, 6 OUTLET TOOLBAR KIT
620-09-00-000 - 8" DISCHARGE, 7 OUTLET TOOLBAR KIT

PARTS LIST				PARTS LIST			
ITEM	PART NUMBER	DESCRIPTION	QTY	ITEM	PART NUMBER	DESCRIPTION	QTY
1	620-02-01-000	SPLASH PLATE-6in DISCHARGE, 4 OUTLET	1	2	620-02-04-000	LIFT BRKT KIT	2
	620-03-01-000	SPLASH PLATE-6in DISCHARGE, 5 OUTLET	1	3	620-02-00-016	4" x 6" TOOLBAR - 12 FT	1
	620-04-01-000	SPLASH PLATE-6in DISCHARGE, 6 OUTLET	1	4	308-84-00-000	20.5/8.0 TIRE & WHEEL ASSY	2
	620-05-01-000	SPLASH PLATE-6in DISCHARGE, 7 OUTLET	1	5	620-02-02-000	ADJUSTABLE WHEEL KIT - 4" x 6" TUBE	2
	620-06-01-000	SPLASH PLATE-8in DISCHARGE, 4 OUTLET	1	6	R07806	5/8" LOCK WASHER	16
	620-07-01-000	SPLASH PLATE-8in DISCHARGE, 5 OUTLET	1	7	R07816	5/8-18 UNF HEX NUT	16
	620-08-01-000	SPLASH PLATE-8in DISCHARGE, 6 OUTLET	1	8	R08183	1/4" - 28 STRAIGHT GREASE FITTING	8
	620-09-01-000	SPLASH PLATE-8in DISCHARGE, 7 OUTLET	1	9	R08452	5/8 - 18 UNF x 4" ID x 7.375" LONG U BOLT	8

HUSKY SPRING TOOTH KIT

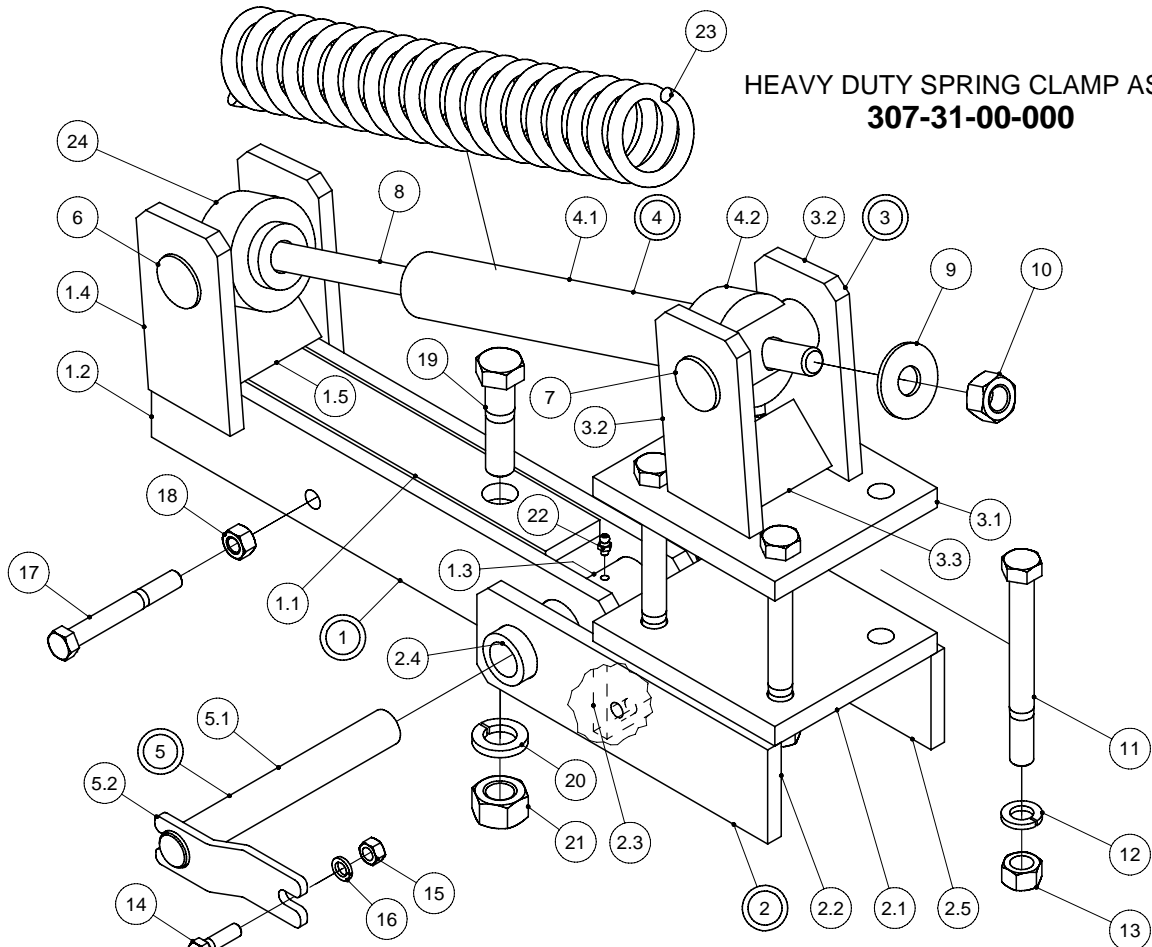


HUSKY SPRING TOOTH KIT
621-01-00-000

PARTS LIST			
ITEM	PART NUMBER	DESCRIPTION	QTY
1	307-31-00-000	H.D. SPRING CLAMP ASSY	1
2	308-83-00-000	SWEEP COVER UP ASSY	1
2.1	308-83-00-234	SWEEP COVER UP	1
2.2	308-83-00-235	HOSE TUBE	1
2.3	308-83-00-236	LUG	1
2.4	308-83-00-237	BOLT PLATE	1
2.5	308-83-00-238	TOOTH CONNECTOR PLATE	1
3	R07785	1/2 HEX NUT	2
4	R07805	1/2 LOCK WASHER	2
5	R07879	7/16-14 UNC FLANGE NUT	2
6	R08214	7/16"-14UNC X 2 1/8"ID X 2 3/4" LONG LEGS	1
7	R09553	12" CHISEL SWEEP	1
8	R09561	1/2 -13 UNC x 2 1/2" PLOW BOLT	2
9	R09563	1 1/4 x 2 SPRING TOOTH	1

HEAVY DUTY SPRING CLAMP

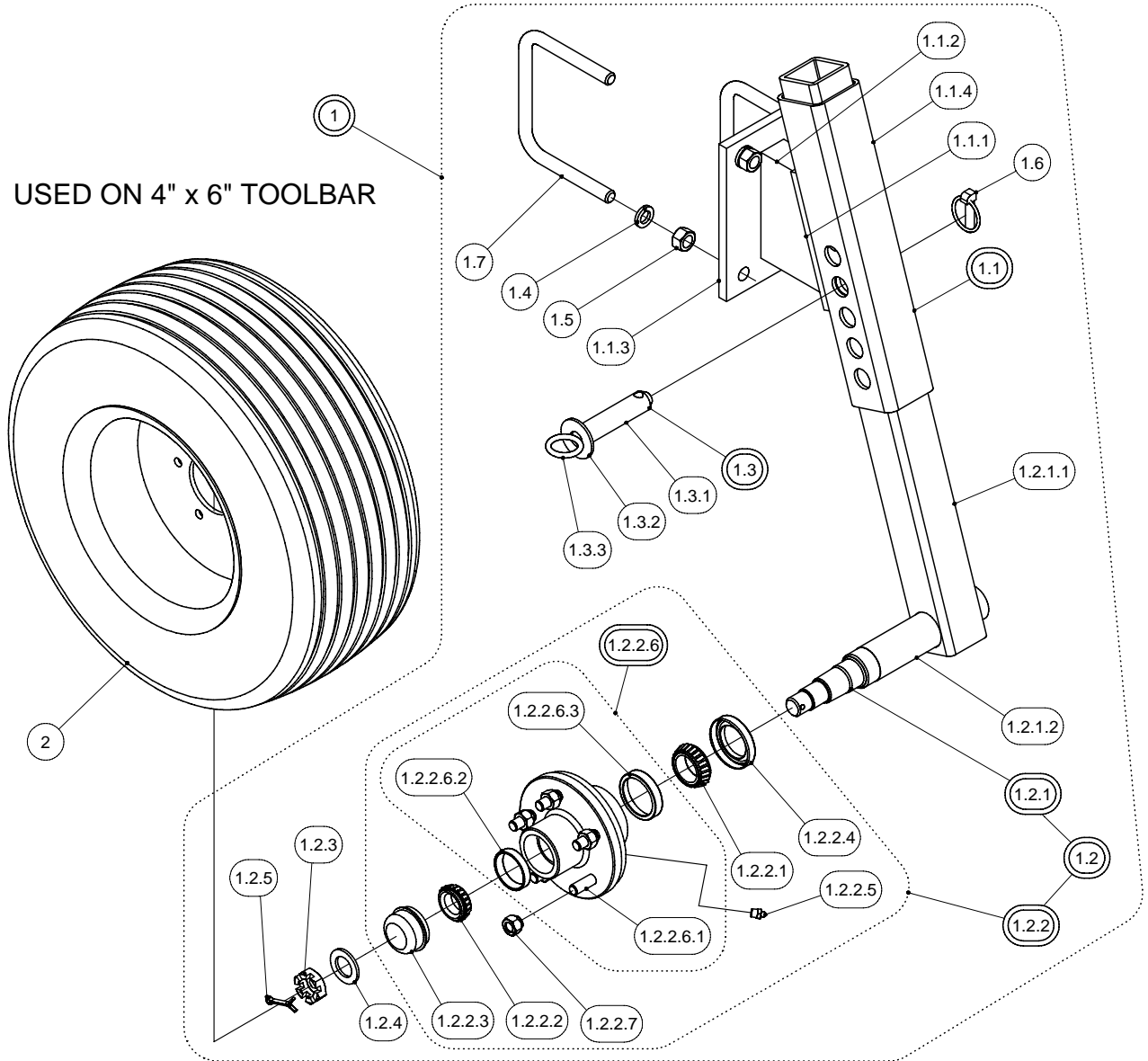
PARTS LIST				PARTS LIST			
ITEM	PART NUMBER	DESCRIPTION	QTY	ITEM	PART NUMBER	DESCRIPTION	QTY
1	307-31-10-000	LOWER BRKT ASSY	1	5.2	307-31-31-133	PIVOT SHAFT BRKT	1
1.1	307-31-10-075	LOWER BRKT SPACER BAR	1	6	307-31-00-083	LOWER CROSS PIN	1
1.2	307-31-10-073	LOWER BRKT	2	7	307-31-00-082	UPPER CROSS PIN	1
1.3	307-31-10-074	INNER BUSHING	1	8	307-31-00-080	SPRING SHAFT	1
1.4	307-31-10-076	SPRING PIN BRKT	2	9	R07827	3/4" FLAT WASHER	1
1.5	307-31-10-077	ANGLE SUPPORT	1	10	R07881	3/4 - 2 WAY LOCK NUT	1
2	307-31-09-000	MAIN BRKT ASSY	1	11	R07653	5/8 x 6 HEX BOLT	4
2.1	307-31-09-070	BOLT PLATE	1	12	R07806	5/8 LOCK WASHER	4
2.2	307-31-09-134	MAIN BRKT w/ HOLE	1	13	R07786	5/8 HEX NUT	4
2.3	307-31-09-071	SPACER BAR	1	14	R07675	3/8 x 1 1/4" HEX BOLT	1
2.4	307-31-09-072	OUTER BUSHING	2	15	R07783	3/8 HEX NUT	1
2.5	307-31-09-069	MAIN BRKT	1	16	R07803	3/8 LOCK WASHER	1
3	307-31-11-000	BOLT PLATE ASSY	1	17	R07643	1/2 x 4 HEX BOLT	1
3.1	307-31-09-070	BOLT PLATE	1	18	R07885	1/2 - 2 WAY LOCK NUT	1
3.2	307-31-10-076	SPRING PIN BRKT	2	19	R07691	7/8 x 3 HEX BOLT	1
3.3	307-31-10-077	ANGLE SUPPORT	1	20	R07809	7/8" LOCK WASHER	1
4	307-31-12-000	SHAFT GUIDE ASSY	1	21	R07789	7/8" HEX NUT	1
4.1	307-31-12-079	SPRING SHAFT GUIDE	1	22	R08183	1/4" - 28 STRAIGHT GREASE FITTING	1
4.2	307-31-12-078	SPRING HOLDER BLOCK	1	23	R08029	SPRING	1
5	307-31-31-000	PIVOT SHAFT ASSY	1	24	307-31-12-078	SPRING HOLDER BLOCK	1
5.1	307-31-31-132	PIVOT SHAFT	1				



**HEAVY DUTY SPRING CLAMP ASSY
307-31-00-000**

WHEEL DEPTH KIT - 4 x 6 TUBE

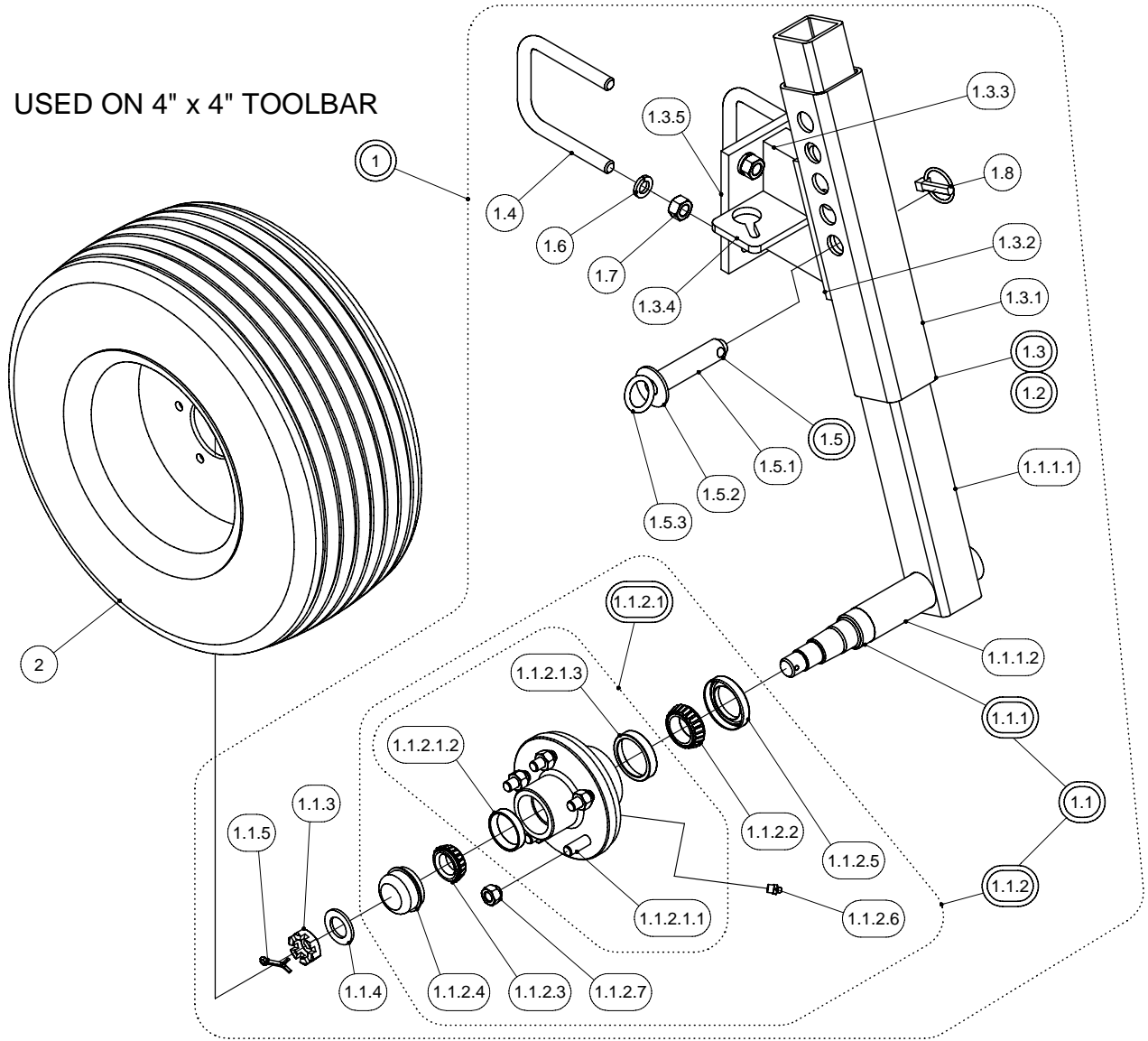
USED ON 4" x 6" TOOLBAR



PARTS LIST				PARTS LIST			
ITEM	PART NUMBER	DESCRIPTION	QTY	ITEM	PART NUMBER	DESCRIPTION	QTY
1	620-02-02-000	ADJUSTABLE WHEEL KIT - 4" x 6" TUBE	1	1.2.2.6.1	R22101	1/2 - 20 UNF x 2 1/4" WHEEL BOLT	5
1.1	620-02-03-000	CLAMP BRKT ASSY - 4" x 6" TUBE	1	1.2.2.6.2	R20132	OUTER CUP L44610	1
1.1.1	308-85-01-242	SUPPORT PLATE	1	1.2.2.6.3	R22080	INNER CUP L6811	1
1.1.2	308-85-01-241	EXTENSION BARS	1	1.2.2.7	R22100	1/2 - 20 UNF CONE WHEEL NUT	5
1.1.3	620-02-03-015	BACK PLATE	1	1.2.3	R20136	SPINDLE NUT	1
1.1.4	308-85-01-243	STATIONARY ADJUSTMENT TUBE	1	1.2.4	R20154	SPINDLE WASHER	1
1.2	308-85-05-000	SPINDLE TUBE ASSY w/ HUB	1	1.2.5	R08011	3/16 x 1 1/2 COTTER PIN	1
1.2.1	308-85-02-000	SPINDLE TUBE ASSY	1	1.3	308-85-03-000	PIN ASSY	1
1.2.1.1	308-85-02-244	SPINDLE TUBE	1	1.3.1	308-85-03-245	PIN	1
1.2.1.2	R22085	1750 SPINDLE 1 3/4 x 12"	1	1.3.2	R07827	3/4" FLAT WASHER	1
1.2.2	301-01-00-000	1750 5 BOLT HUB COMPLETE	1	1.3.3	R07925	1/4 x 1 1/2 PLATED RING	1
1.2.2.1	R22081	INNER CONE - L68149	1	1.4	R07806	5/8" LOCK WASHER	4
1.2.2.2	R22082	OUTER CONE - L44649	1	1.5	R07816	5/8-18 UNF HEX NUT	4
1.2.2.3	R22083	D-1000 DUST CAP	1	1.6	R08040	2 - 18 LYNCH PIN	1
1.2.2.4	R22084	CR-17415 SEAL	1	1.7	R08453	5/8 - 18 UNF x 6" ID x 5.375 U BOLT	2
1.2.2.5	R08186	1/8" NPT GREASE FTG	1	2	308-84-00-000	20.5/8.0 TIRE & WHEEL ASSY	1
1.2.2.6	R22099	5 BOLT HUB w/ CUPS & P.I. BOLTS	1				

WHEEL DEPTH KIT 4 x 4 TUBE

USED ON 4" x 4" TOOLBAR

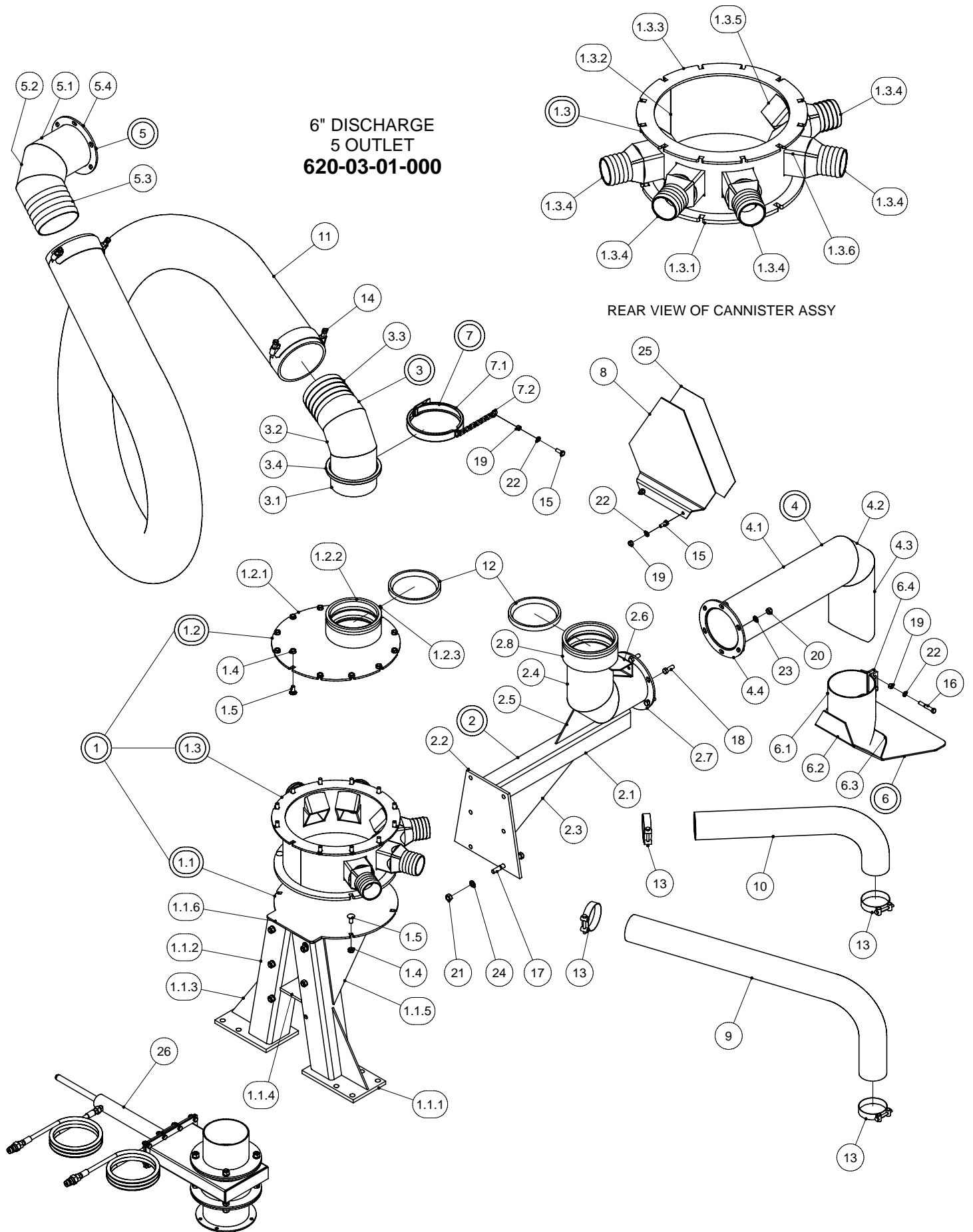


PARTS LIST				PARTS LIST			
ITEM	PART NUMBER	DESCRIPTION	QTY	ITEM	PART NUMBER	DESCRIPTION	QTY
1	308-85-00-000	ADJUSTABLE WHEEL BRKT KIT	1	1.1.5	R08011	3/16 x 1 1/2 COTTER PIN	1
1.1	308-85-05-000	SPINDLE TUBE ASSY w/ HUB	2	1.2	308-85-01-000	RH CLAMP BRKT ASSY (NOT SHOWN IN DWG)	1
1.1.1	308-85-02-000	SPINDLE TUBE ASSY	1	1.3	308-85-04-000	LH CLAMP BRKT ASSY	1
1.1.1.1	308-85-02-244	SPINDLE TUBE	1	1.3.1	308-85-01-243	STATIONARY ADJUSTMENT TUBE	1
1.1.1.2	R22085	1750 SPINDLE 1 3/4 x 12"	1	1.3.2	308-85-01-242	SUPPORT PLATE	1
1.1.2	301-01-00-000	1750 5 BOLT HUB COMPLETE	1	1.3.3	308-85-01-241	EXTENSION BARS	1
1.1.2.1	R22099	5 BOLT HUB w/ CUPS & P.I. BOLTS	1	1.3.4	308-85-01-251	CHAIN LOCK BRKT	1
1.1.2.1.1	R22101	1/2 - 20 UNF x 2 1/4" WHEEL BOLT	5	1.3.5	308-85-01-240	BACK PLATE	1
1.1.2.1.2	R20132	OUTER CUP L44610	1	1.4	R08181	5/8 - 18 UNF U-BOLT x 6" LONG	4
1.1.2.1.3	R22080	INNER CUP L6811	1	1.5	308-85-03-000	PIN ASSY	2
1.1.2.2	R22081	INNER CONE - L68149	1	1.5.1	308-85-03-245	PIN	1
1.1.2.3	R22082	OUTER CONE - L44649	1	1.5.2	R07827	3/4" FLAT WASHER	1
1.1.2.4	R22083	D-1000 DUST CAP	1	1.5.3	R07925	1/4 x 1 1/2 PLATED RING	1
1.1.2.5	R22084	CR-17415 SEAL	1	1.6	R07806	5/8 LOCK WASHER	8
1.1.2.6	R08186	1/8" NPT GREASE FTG	1	1.7	R07816	5/8" UNF HEX NUT	8
1.1.2.7	R22100	1/2 - 20 UNF CONE WHEEL NUT	5	1.8	R08040	2 - 18 LYNCH PIN	2
1.1.3	R20136	SPINDLE NUT	1	2	308-84-00-000	20.5/8.0 TIRE & WHEEL ASSY	2
1.1.4	R20154	SPINDLE WASHER	1				

SPLASH PLATE - 6" DISCHARGE, 4 OUTLET

PARTS LIST				PARTS LIST			
ITEM	PART NUMBER	DESCRIPTION	QTY	ITEM	PART NUMBER	DESCRIPTION	QTY
1	308-78-00-000	4 OUTLET CANNISTER KIT - 6"	1	4.1	308-60-00-172	ELBOW BASE PC	1
1.1	308-62-02-000	DOUBLE LEG STAND	1	4.2	308-60-00-173	ELBOW MIDDLE PC	1
1.1.1	308-62-02-185	UPPER CLAMP PLATE	2	4.3	308-60-00-174	BARBED ELBOW END	1
1.1.2	308-62-02-183	CANNISTER LEG	2	4.4	364-19-00-087	DISCHARGE PIPE FLANGE	1
1.1.3	308-62-02-187	GUSSET	2	5	364-68-00-000	SPLASH PLATE ASSY	1
1.1.4	308-62-02-200	BRACE PLATE	1	5.1	364-68-00-215	CLAMPING TUBE	1
1.1.5	308-62-02-208	GUSSET	2	5.2	364-21-00-069	SPLASH PLATE	1
1.1.6	308-62-02-207	LEG STAND TOP PC	1	5.3	364-21-00-224	SPLASH PLATE WING	2
1.2	R07794	3/8-16 UNC FLANGE NUT	17	5.4	364-21-00-071	CLAMPING TUBE BRKT	2
1.3	R07721	3/8 x 1 UNC CARRIAGE BOLT	17	6	308-60-00-000	6" ELBOW AND RING ASSY	1
1.4	308-78-01-000	4 OUTLET CANNISTER ASSY	1	6.1	308-60-00-172	ELBOW BASE PC	1
1.4.1	308-62-01-177	CANNISTER BOTTOM	1	6.2	308-60-00-173	ELBOW MIDDLE PC	1
1.4.2	308-78-01-228	4 OUTLET CANNISTER	1	6.3	308-60-00-174	BARBED ELBOW END	1
1.4.3	308-62-01-197	FLANGE	1	6.4	250-95-00-295	CLAMP RING	1
1.4.4	308-62-01-179	DEFLECTOR TUBE	4	7	250-97-00-000	CLAMP & CHAIN ASSY	1
1.4.5	308-62-01-178	DEFLECTOR PLATE	4	7.1	R02487	6" RING LOCK CLAMP	1
1.4.6	308-62-01-199	BARBED CONNECTOR w/ sq END	4	7.2	250-97-00-297	CLAMP CHAIN	1
1.5	308-62-03-000	6" INLET ASSY	1	8	200-00-00-132	S.M.V. SIGN HOLDER	1
1.5.1	308-62-03-176	TOP COVER	1	9	308-00-00-148	LONG INJECTOR HOSE	2
1.5.2	200-58-00-242	6" COUPLING BASE TUBE	1	10	308-00-00-149	SHORT INJECTOR HOSE	2
1.5.3	250-96-00-298	CHAIN LUG	1	11	308-00-00-150	6" DISCHARGE HOSE	1
2	308-77-00-000	6" DISCHARGE EXTENSION TUBE ASSY	1	12	R02366	6" RUBBER GASKET	2
2.1	308-77-00-224	SUPPORT TUBE	1	13	R02480	3" BAUER SUPER CLAMP	8
2.2	308-62-02-184	BACK PLATE BRKT	1	14	R02843	6" SPIRAL CLAMP	2
2.3	308-54-00-155	SUPPORT TUBE GUSSET	1	15	R07619	3/8 x 1 UNC HEX BOLT	3
2.4	308-77-00-225	DISCHARGE PIPE	1	16	R07622	3/8 x 2 1/2 HEX BOLT	2
2.5	308-77-00-227	GUSSET	1	17	R07644	1/2 x 5 HEX BOLT	6
2.6	308-77-00-226	S.M.V. SIGN HOLDER	1	18	R07671	7/16 x 1 1/4 HEX BOLT	6
2.7	364-19-00-087	DISCHARGE PIPE FLANGE	1	19	R07783	3/8-16 UNC HEX NUT	5
2.8	200-58-00-242	6" COUPLING BASE TUBE	1	20	R07784	7/16 HEX NUT	6
3	364-25-00-000	DISCHARGE PIPE END SECTION ASSY	1	21	R07785	1/2 HEX NUT	6
3.1	364-25-00-088	DISCHARGE PIPE FLANGE PC	1	22	R07803	3/8" LOCK WASHER	5
3.2	364-19-00-082	DISCHARGE PIPE CORNER PC	1	23	R07804	7/16 LOCK WASHER	6
3.3	364-25-00-067	DISCHARGE PIPE END PC	1	24	R07805	1/2 LOCK WASHER	6
3.4	364-19-00-087	DISCHARGE PIPE FLANGE	1	25	R09501	SLOW MOVING VEHICLE DECAL	1
4	308-61-00-000	6" TOP ELBOW AND FLANGE ASSY	1	26	308-46-00-000	6" VALVE W/ INDICATOR ROD	1

SPLASH PLATE - 6" DISCHARGE, 5 OUTLET



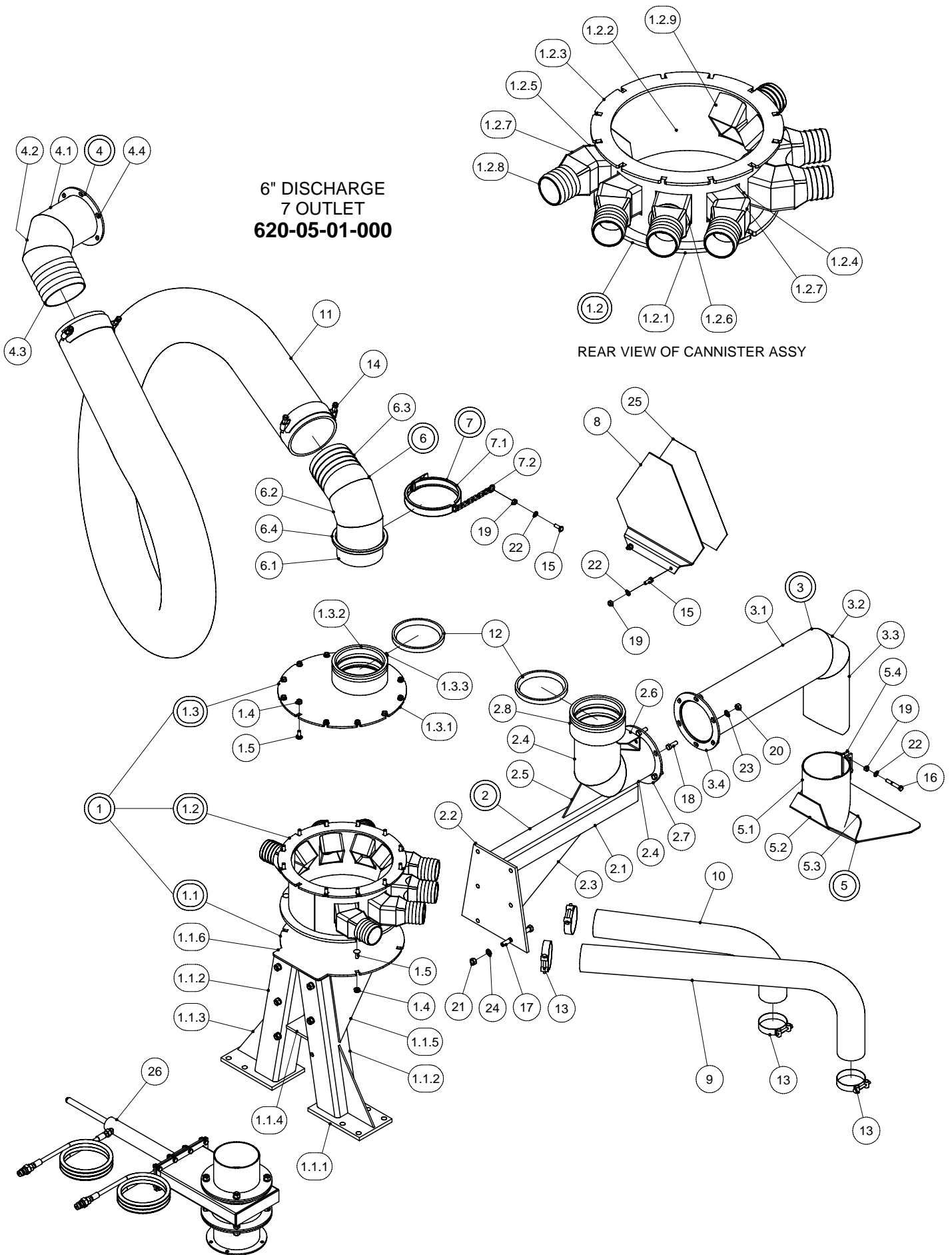
SPLASH PLATE - 6" DISCHARGE, 5 OUTLET

PARTS LIST				PARTS LIST			
ITEM	PART NUMBER	DESCRIPTION	QTY	ITEM	PART NUMBER	DESCRIPTION	QTY
1	308-70-00-000	5 OUTLET CANNISTER KIT - 6"	1	4.1	364-25-00-088	DISCHARGE PIPE FLANGE PC	1
1.1	308-62-02-000	DOUBLE LEG STAND	1	4.2	364-19-00-082	DISCHARGE PIPE CORNER PC	1
1.1.1	308-62-02-185	UPPER CLAMP PLATE	2	4.3	364-25-00-067	DISCHARGE PIPE END PC	1
1.1.2	308-62-02-183	CANNISTER LEG	2	4.4	364-19-00-087	DISCHARGE PIPE FLANGE	1
1.1.3	308-62-02-187	GUSSET	2	5	308-61-00-000	6" TOP ELBOW AND FLANGE ASSY	1
1.1.4	308-62-02-200	BRACE PLATE	1	5.1	308-60-00-172	ELBOW BASE PC	1
1.1.5	308-62-02-208	GUSSET	2	5.2	308-60-00-173	ELBOW MIDDLE PC	1
1.1.6	308-62-02-207	LEG STAND TOP PC	1	5.3	308-60-00-174	BARBED ELBOW END	1
1.2	308-62-03-000	6" INLET ASSY	1	5.4	364-19-00-087	DISCHARGE PIPE FLANGE	1
1.2.1	308-62-03-176	TOP COVER	1	6	364-68-00-000	SPLASH PLATE ASSY	1
1.2.2	200-58-00-242	6" COUPLING BASE TUBE	1	6.1	364-68-00-215	CLAMPING TUBE	1
1.2.3	250-96-00-298	CHAIN LUG	1	6.2	364-21-00-069	SPLASH PLATE	1
1.3	308-70-01-000	5 OUTLET CANNISTER ASSY	1	6.3	364-21-00-224	SPLASH PLATE WING	2
1.3.1	308-62-01-177	CANNISTER BOTTOM	1	6.4	364-21-00-071	CLAMPING TUBE BRKT	2
1.3.2	308-70-01-204	5 OUTLET CANNISTER	1	7	250-97-00-000	CLAMP & CHAIN ASSY	1
1.3.3	308-62-01-197	FLANGE	1	7.1	R02487	6" RING LOCK CLAMP	1
1.3.4	308-62-01-199	BARBED CONNECTOR w/ sq END	5	7.2	250-97-00-297	CLAMP CHAIN	1
1.3.5	308-62-01-178	DEFLECTOR PLATE	5	8	200-00-00-132	S.M.V. SIGN HOLDER	1
1.3.6	308-62-01-179	DEFLECTOR TUBE	5	9	308-00-00-148	LONG INJECTOR HOSE	3
1.4	R07879	7/16 FLANGE NUT	17	10	308-00-00-149	SHORT INJECTOR HOSE	2
1.5	R07731	7/16 x 1 UNC CARRIAGE BOLT	17	11	308-00-00-150	6" DISCHARGE HOSE	1
2	308-77-00-000	6" DISCHARGE EXTENSION TUBE ASSY	1	12	R02366	6" RUBBER GASKET	2
2.1	308-77-00-224	SUPPORT TUBE	1	13	R02480	3" BAUER SUPER CLAMP	10
2.2	308-62-02-184	BACK PLATE BRKT	1	14	R02843	6" SPIRAL CLAMP	2
2.3	308-54-00-155	SUPPORT TUBE GUSSET	1	15	R07619	3/8 x 1 UNC HEX BOLT	3
2.4	308-77-00-225	DISCHARGE PIPE	1	16	R07622	3/8 x 2 1/2 HEX BOLT	2
2.5	308-77-00-227	GUSSET	1	17	R07644	1/2 x 5 HEX BOLT	6
2.6	308-77-00-226	S.M.V. SIGN HOLDER	1	18	R07671	7/16 x 1 1/4 HEX BOLT	6
2.7	364-19-00-087	DISCHARGE PIPE FLANGE	1	19	R07783	3/8-16 UNC HEX NUT	5
2.8	200-58-00-242	6" COUPLING BASE TUBE	1	20	R07784	7/16 HEX NUT	6
3	308-60-00-000	6" ELBOW AND RING ASSY	1	21	R07785	1/2 HEX NUT	6
3.1	308-60-00-172	ELBOW BASE PC	1	22	R07803	3/8" LOCK WASHER	5
3.2	308-60-00-173	ELBOW MIDDLE PC	1	23	R07804	7/16 LOCK WASHER	6
3.3	308-60-00-174	BARBED ELBOW END	1	24	R07805	1/2 LOCK WASHER	6
3.4	250-95-00-295	CLAMP RING	1	25	R09501	SLOW MOVING VEHICLE DECAL	1
4	364-25-00-000	DISCHARGE PIPE END SECTION ASSY	1	26	308-46-00-000	6" VALVE W/ INDICATOR ROD	1

SPLASH PLATE - 6" DISCHARGE, 6 OUTLET

PARTS LIST				PARTS LIST			
ITEM	PART NUMBER	DESCRIPTION	QTY	ITEM	PART NUMBER	DESCRIPTION	QTY
1	308-91-00-000	6 OUTLET CANNISTER KIT - 6"	1	4.1	364-25-00-088	DISCHARGE PIPE FLANGE PC	1
1.1	308-62-02-000	DOUBLE LEG STAND	1	4.2	364-19-00-082	DISCHARGE PIPE CORNER PC	1
1.1.1	308-62-02-185	UPPER CLAMP PLATE	2	4.3	364-25-00-067	DISCHARGE PIPE END PC	1
1.1.2	308-62-02-183	CANNISTER LEG	2	4.4	364-19-00-087	DISCHARGE PIPE FLANGE	1
1.1.3	308-62-02-187	GUSSET	2	5	308-61-00-000	6" TOP ELBOW AND FLANGE ASSY	1
1.1.4	308-62-02-200	BRACE PLATE	1	5.1	308-60-00-172	ELBOW BASE PC	1
1.1.5	308-62-02-208	GUSSET	2	5.2	308-60-00-173	ELBOW MIDDLE PC	1
1.1.6	308-62-02-207	LEG STAND TOP PC	1	5.3	308-60-00-174	BARBED ELBOW END	1
1.2	308-62-03-000	6" INLET ASSY	1	5.4	364-19-00-087	DISCHARGE PIPE FLANGE	1
1.2.1	308-62-03-176	TOP COVER	1	6	364-68-00-000	SPLASH PLATE ASSY	1
1.2.2	200-58-00-242	6" COUPLING BASE TUBE	1	6.1	364-68-00-215	CLAMPING TUBE	1
1.2.3	250-96-00-298	CHAIN LUG	1	6.2	364-21-00-069	SPLASH PLATE	1
1.3	R07879	7/16 FLANGE NUT	17	6.3	364-21-00-224	SPLASH PLATE WING	2
1.4	R07731	7/16 x 1 UNC CARRIAGE BOLT	17	6.4	364-21-00-071	CLAMPING TUBE BRKT	2
1.5	308-91-01-000	6 OUTLET CANNISTER ASSY	1	7	250-97-00-000	CLAMP & CHAIN ASSY	1
1.5.1	308-62-01-177	CANNISTER BOTTOM	1	7.1	R02487	6" RING LOCK CLAMP	1
1.5.2	308-62-01-197	FLANGE	1	7.2	250-97-00-297	CLAMP CHAIN	1
1.5.3	308-62-01-199	BARBED CONNECTOR w/ sq END	6	8	200-00-00-132	S.M.V. SIGN HOLDER	1
1.5.4	308-62-01-178	DEFLECTOR PLATE	6	9	308-00-00-148	LONG INJECTOR HOSE	4
1.5.5	308-91-01-256	6OUTLET CANNISTER	1	10	308-00-00-149	SHORT INJECTOR HOSE	2
1.5.6	308-62-01-179	DEFLECTOR TUBE	6	11	308-00-00-150	6" DISCHARGE HOSE	1
2	308-77-00-000	6" DISCHARGE EXTENSION TUBE ASSY	1	12	R02366	6" RUBBER GASKET	2
2.1	308-77-00-224	SUPPORT TUBE	1	13	R02480	3" BAUER SUPER CLAMP	12
2.2	308-62-02-184	BACK PLATE BRKT	1	14	R02843	6" SPIRAL CLAMP	2
2.3	308-54-00-155	SUPPORT TUBE GUSSET	1	15	R07619	3/8 x 1 UNC HEX BOLT	3
2.4	308-77-00-225	DISCHARGE PIPE	1	16	R07622	3/8 x 2 1/2 HEX BOLT	2
2.5	308-77-00-227	GUSSET	1	17	R07644	1/2 x 5 HEX BOLT	6
2.6	308-77-00-226	S.M.V. SIGN HOLDER	1	18	R07671	7/16 x 1 1/4 HEX BOLT	6
2.7	364-19-00-087	DISCHARGE PIPE FLANGE	1	19	R07783	3/8-16 UNC HEX NUT	5
2.8	200-58-00-242	6" COUPLING BASE TUBE	1	20	R07784	7/16 HEX NUT	6
3	308-60-00-000	6" ELBOW AND RING ASSY	1	21	R07785	1/2 HEX NUT	6
3.1	308-60-00-172	ELBOW BASE PC	1	22	R07803	3/8" LOCK WASHER	5
3.2	308-60-00-173	ELBOW MIDDLE PC	1	23	R07804	7/16 LOCK WASHER	6
3.3	308-60-00-174	BARBED ELBOW END	1	24	R07805	1/2 LOCK WASHER	6
3.4	250-95-00-295	CLAMP RING	1	25	R09501	SLOW MOVING VEHICLE DECAL	1
4	364-25-00-000	DISCHARGE PIPE END SECTION ASSY	1	26	308-46-00-000	6" VALVE W/ INDICATOR ROD	1

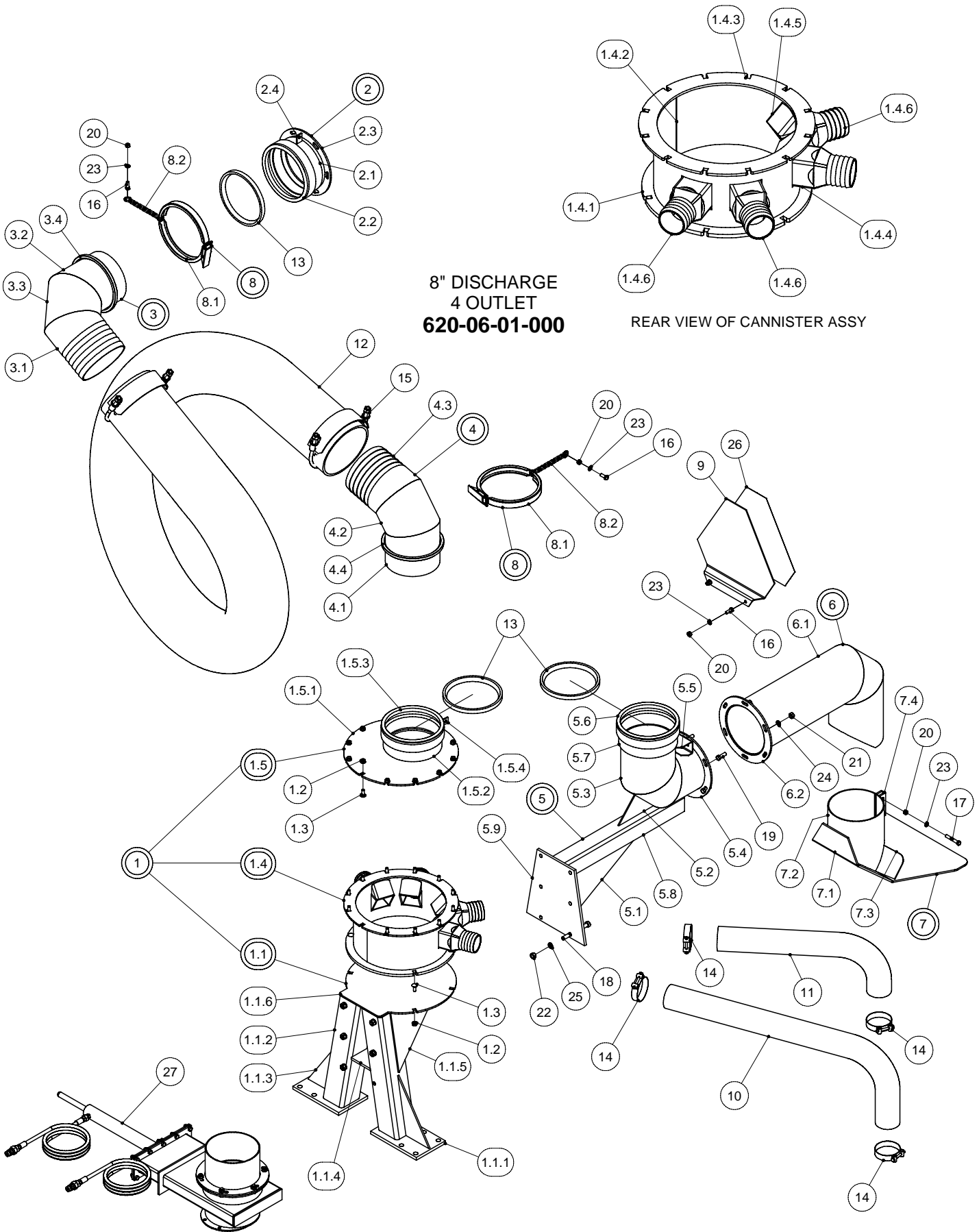
SPLASH PLATE - 6" DISCHARGE, 7 OUTLET



SPLASH PLATE - 6" DISCHARGE, 7 OUTLET

PARTS LIST				PARTS LIST			
ITEM	PART NUMBER	DESCRIPTION	QTY	ITEM	PART NUMBER	DESCRIPTION	QTY
1	308-79-00-000	7 OUTLET CANNISTER KIT - 6"	1	4	308-61-00-000	6" TOP ELBOW AND FLANGE ASSY	1
1.1	308-62-02-000	DOUBLE LEG STAND	1	4.1	308-60-00-172	ELBOW BASE PC	1
1.1.1	308-62-02-185	UPPER CLAMP PLATE	2	4.2	308-60-00-173	ELBOW MIDDLE PC	1
1.1.2	308-62-02-183	CANNISTER LEG	2	4.3	308-60-00-174	BARBED ELBOW END	1
1.1.3	308-62-02-187	GUSSET	2	4.4	364-19-00-087	DISCHARGE PIPE FLANGE	1
1.1.4	308-62-02-200	BRACE PLATE	1	5	364-68-00-000	SPLASH PLATE ASSY	1
1.1.5	308-62-02-208	GUSSET	2	5.1	364-68-00-215	CLAMPING TUBE	1
1.1.6	308-62-02-207	LEG STAND TOP PC	1	5.2	364-21-00-069	SPLASH PLATE	1
1.2	308-79-01-000	7 OUTLET CANNISTER ASSY	1	5.3	364-21-00-224	SPLASH PLATE WING	2
1.2.1	308-62-01-177	CANNISTER BOTTOM	1	5.4	364-21-00-071	CLAMPING TUBE BRKT	2
1.2.2	308-79-01-229	7 OUTLET CANNISTER	1	6	308-60-00-000	6" ELBOW AND RING ASSY	1
1.2.3	308-62-01-197	FLANGE	1	6.1	308-60-00-172	ELBOW BASE PC	1
1.2.4	308-79-01-274	LH ANGLED DEFLECTOR TUBE	1	6.2	308-60-00-173	ELBOW MIDDLE PC	1
1.2.5	308-62-01-180	ANGLED DEFLECTOR TUBE	3	6.3	308-60-00-174	BARBED ELBOW END	1
1.2.6	308-62-01-179	DEFLECTOR TUBE	3	6.4	250-95-00-295	CLAMP RING	1
1.2.7	308-62-01-181	SHORT TUBE ANGLE	4	7	250-97-00-000	CLAMP & CHAIN ASSY	1
1.2.8	308-62-01-199	BARBED CONNECTOR w/ sq END	7	7.1	R02487	6" RING LOCK CLAMP	1
1.2.9	308-62-01-178	DEFLECTOR PLATE	7	7.2	250-97-00-297	CLAMP CHAIN	1
1.3	308-62-03-000	6" INLET ASSY	1	8	200-00-00-132	S.M.V. SIGN HOLDER	1
1.3.1	308-62-03-176	TOP COVER	1	9	308-00-00-148	LONG INJECTOR HOSE	4
1.3.2	200-58-00-242	6" COUPLING BASE TUBE	1	10	308-00-00-149	SHORT INJECTOR HOSE	3
1.3.3	250-96-00-298	CHAIN LUG	1	11	308-00-00-150	6" DISCHARGE HOSE	1
1.4	R07794	3/8-16 UNC FLANGE NUT	17	12	R02366	6" RUBBER GASKET	2
1.5	R07721	3/8 x 1 UNC CARRIAGE BOLT	17	13	R02480	3" BAUER SUPER CLAMP	14
2	308-77-00-000	6" DISCHARGE EXTENSION TUBE ASSY	1	14	R02843	6" SPIRAL CLAMP	2
2.1	308-77-00-224	SUPPORT TUBE	1	15	R07619	3/8 x 1 UNC HEX BOLT	3
2.2	308-62-02-184	BACK PLATE BRKT	1	16	R07622	3/8 x 2 1/2 HEX BOLT	2
2.3	308-54-00-155	SUPPORT TUBE GUSSET	1	17	R07644	1/2 x 5 HEX BOLT	6
2.4	308-77-00-225	DISCHARGE PIPE	1	18	R07671	7/16 x 1 1/4 HEX BOLT	6
2.5	308-77-00-227	GUSSET	1	19	R07783	3/8-16 UNC HEX NUT	5
2.6	308-77-00-226	S.M.V. SIGN HOLDER	1	20	R07784	7/16 HEX NUT	6
2.7	364-19-00-087	DISCHARGE PIPE FLANGE	1	21	R07785	1/2 HEX NUT	6
2.8	200-58-00-242	6" COUPLING BASE TUBE	1	22	R07803	3/8" LOCK WASHER	5
3	364-25-00-000	DISCHARGE PIPE END SECTION ASSY	1	23	R07804	7/16 LOCK WASHER	6
3.1	364-25-00-088	DISCHARGE PIPE FLANGE PC	1	24	R07805	1/2 LOCK WASHER	6
3.2	364-19-00-082	DISCHARGE PIPE CORNER PC	1	25	R09501	SLOW MOVING VEHICLE DECAL	1
3.3	364-25-00-067	DISCHARGE PIPE END PC	1	26	308-46-00-000	6" VALVE W/ INDICATOR ROD	1
3.4	364-19-00-087	DISCHARGE PIPE FLANGE	1				

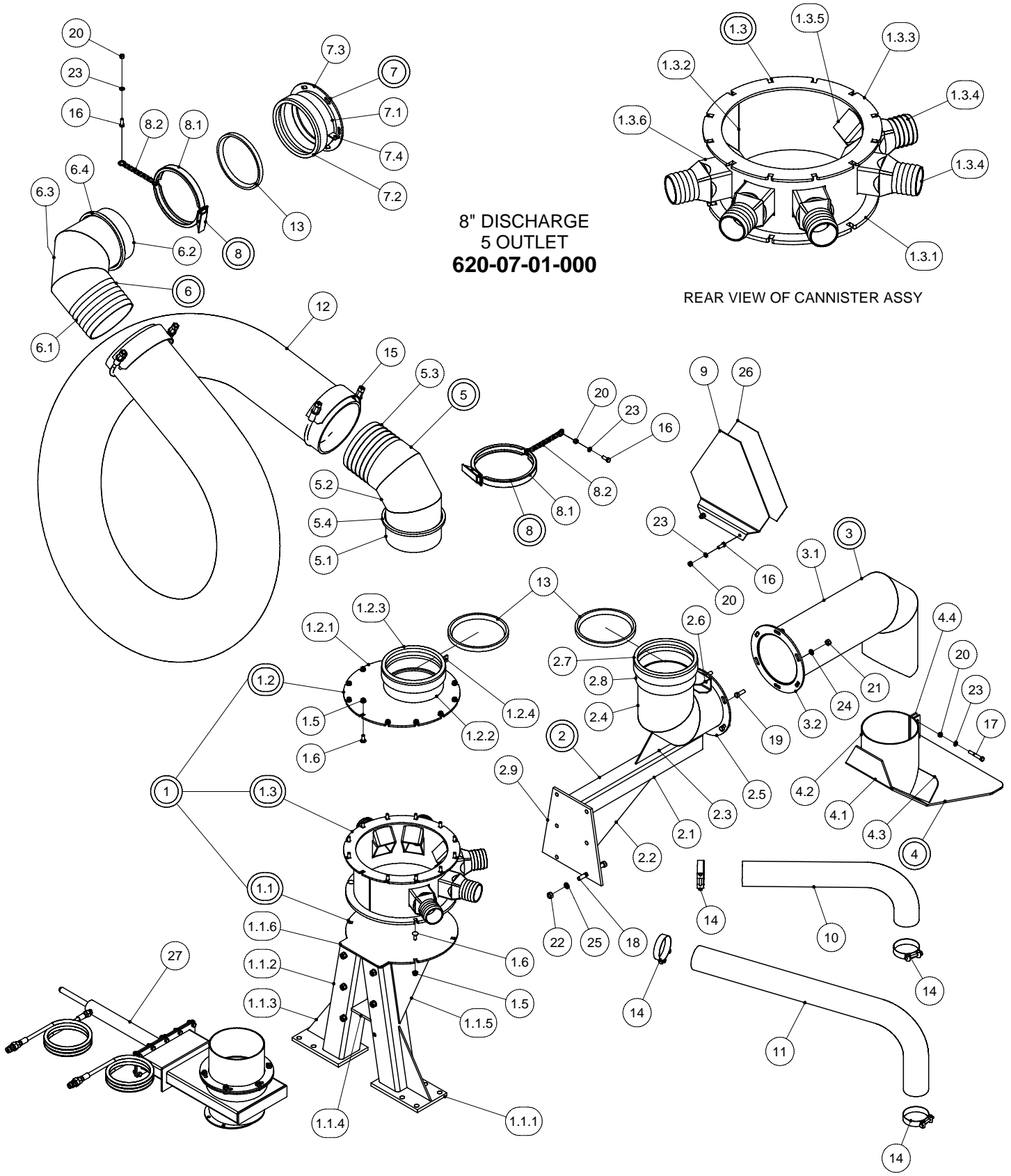
SPLASH PLATE - 8" DISCHARGE, 4 OUTLET



SPLASH PLATE - 8" DISCHARGE, 4 OUTLET

PARTS LIST				PARTS LIST			
ITEM	PART NUMBER	DESCRIPTION	QTY	ITEM	PART NUMBER	DESCRIPTION	QTY
1	308-81-00-000	4 OUTLET CANNISTER KIT - 8"	1	5.2	308-77-00-227	GUSSET	1
1.1	308-62-02-000	DOUBLE LEG STAND	1	5.3	308-82-00-230	DISCHARGE PIPE	1
1.1.1	308-62-02-185	UPPER CLAMP PLATE	2	5.4	358-92-02-306	8" DISCHARGE FLANGE	1
1.1.2	308-62-02-183	CANNISTER LEG	2	5.5	308-82-00-231	SMV SIGN HOLDER-8" PIPE	1
1.1.3	308-62-02-187	GUSSET	2	5.6	244-07-01-306	COUPLING BASE	1
1.1.4	308-62-02-200	BRACE PLATE	1	5.7	308-63-01-189	8" EXTENSION PIPE	1
1.1.5	308-62-02-208	GUSSET	2	5.8	308-77-00-224	SUPPORT TUBE	1
1.1.6	308-62-02-207	LEG STAND TOP PC	1	5.9	308-62-02-184	BACK PLATE BRKT	1
1.2	R07794	3/8-16 UNC FLANGE NUT	17	6	358-92-03-000	8" EXTENSION PIPE ASSY	1
1.3	R07721	3/8 x 1 UNC CARRIAGE BOLT	17	6.1	358-92-03-307	8" EXTENSION PIPE	1
1.4	308-78-01-000	4 OUTLET CANNISTER ASSY	1	6.2	358-92-02-306	8" DISCHARGE FLANGE	1
1.4.1	308-62-01-177	CANNISTER BOTTOM	1	7	358-92-04-000	8" SPLASH PLATE ASSY	1
1.4.2	308-78-01-228	4 OUTLET CANNISTER	1	7.1	358-92-04-308	8" SPLASH PLATE	1
1.4.3	308-62-01-197	FLANGE	1	7.2	358-92-04-309	8" SPLASH PLATE TUBE	1
1.4.4	308-62-01-179	DEFLECTOR TUBE	4	7.3	358-92-04-310	WING FOR 8" SPLASH PLATE	2
1.4.5	308-62-01-178	DEFLECTOR PLATE	4	7.4	358-92-04-311	CLAMPING TUBE BRKT	2
1.4.6	308-62-01-199	BARBED CONNECTOR w/ sq END	4	8	244-09-00-000	8" CLAMP & CHAIN ASSY	2
1.5	308-63-03-000	8" INLET ASSY	1	8.1	R02488	8" RINGLOCK CLAMP	1
1.5.1	308-63-03-188	TOP COVER -8"	1	8.2	250-97-00-297	CLAMP CHAIN	1
1.5.2	308-63-01-189	8" EXTENSION PIPE	1	9	200-00-00-132	S.M.V. SIGN HOLDER	1
1.5.3	244-07-01-306	COUPLING BASE	1	10	308-00-00-148	LONG INJECTOR HOSE	2
1.5.4	250-96-00-298	CHAIN LUG	1	11	308-00-00-149	SHORT INJECTOR HOSE	2
2	308-65-00-000	8" COUPLING BASE ASSY-TOP DISCH PIPE	1	12	308-00-00-196	8" DISCHARGE HOSE	1
				13	R02360	8" SQ RAINWAY/HUSKY GASKET	3
2.1	308-65-00-191	8" EXTENSION-TOP DISCHARGE	1	14	R02480	3" BAUER SUPER CLAMP	8
2.2	244-07-01-306	COUPLING BASE	1	15	R02844	8" SPIRAL CLAMP	2
2.3	358-92-02-306	8" DISCHARGE FLANGE	1	16	R07619	3/8 x 1 UNC HEX BOLT	4
2.4	250-96-00-298	CHAIN LUG	1	17	R07622	3/8 x 2 1/2 HEX BOLT	2
3	308-66-00-000	8" COUPLING ELBOW ASSY-TOP	1	18	R07644	1/2 x 5 HEX BOLT	6
3.1	308-66-00-192	8" BARBED ELBOW END	1	19	R07671	7/16 x 1 1/4 HEX BOLT	6
3.2	308-66-00-193-A	TOP COUPLING ELBOW PC	1	20	R07783	3/8-16 UNC HEX NUT	6
3.3	308-66-00-193-B	TOP COUPLING ELBOW PC	1	21	R07784	7/16 HEX NUT	6
3.4	244-08-00-307	CLAMP RING	1	22	R07785	1/2 HEX NUT	6
4	308-67-00-000	8" COUPLING ELBOW ASSY-BOTTOM	1	23	R07803	3/8" LOCK WASHER	6
4.1	308-67-00-195-A	BOTTOM COUPLING ELBOW PC	1	24	R07804	7/16 LOCK WASHER	6
4.2	308-67-00-195-B	BOTTOM COUPLING ELBOW PC	1	25	R07805	1/2 LOCK WASHER	6
4.3	308-67-00-194	BARBED ELBOW END	1	26	R09501	SLOW MOVING VEHICLE DECAL	1
4.4	244-08-00-307	CLAMP RING	1	27	308-86-00-000	8" VALVE KIT w/ INDICATOR ROD & HYD HOSES	1
5	308-82-00-000	8" DISCHARGE EXT. TUBE ASSY	1				
5.1	308-54-00-155	SUPPORT TUBE GUSSET	1				

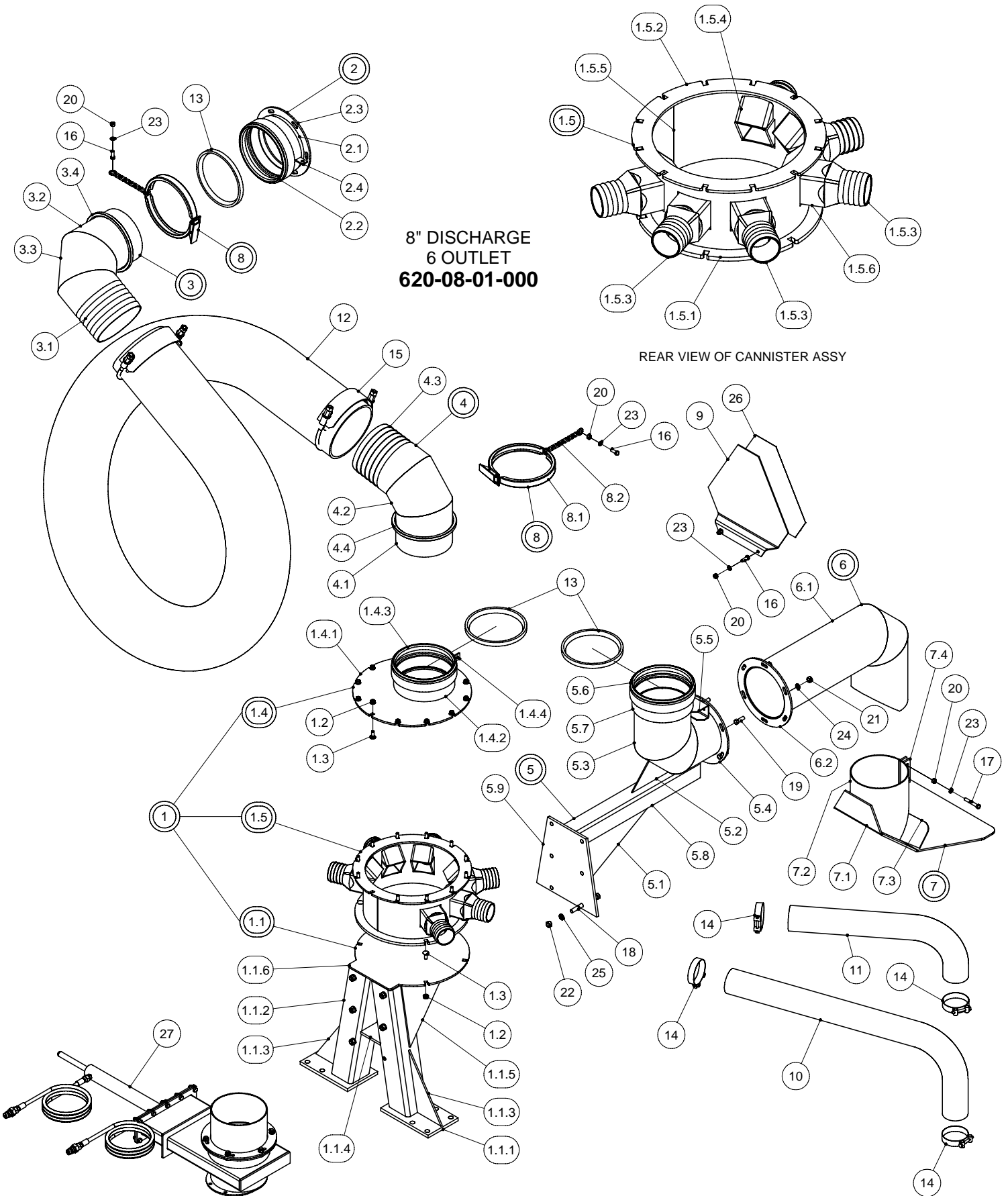
SPLASH PLATE - 8" DISCHARGE, 5 OUTLET



SPLASH PLATE - 8" DISCHARGE, 5 OUTLET

PARTS LIST				PARTS LIST			
ITEM	PART NUMBER	DESCRIPTION	QTY	ITEM	PART NUMBER	DESCRIPTION	QTY
1	308-80-00-000	5 OUTLET CANNISTER KIT - 8"	1	5	308-67-00-000	8" COUPLING ELBOW ASSY-BOTTOM	1
1.1	308-62-02-000	DOUBLE LEG STAND	1	5.1	308-67-00-195-A	BOTTOM COUPLING ELBOW PC	1
1.1.1	308-62-02-185	UPPER CLAMP PLATE	2	5.2	308-67-00-195-B	BOTTOM COUPLING ELBOW PC	1
1.1.2	308-62-02-183	CANNISTER LEG	2	5.3	308-67-00-194	BARBED ELBOW END	1
1.1.3	308-62-02-187	GUSSET	2	5.4	244-08-00-307	CLAMP RING	1
1.1.4	308-62-02-200	BRACE PLATE	1	6	308-66-00-000	8" COUPLING ELBOW ASSY-TOP	1
1.1.5	308-62-02-208	GUSSET	2	6.1	308-66-00-192	8" BARBED ELBOW END	1
1.1.6	308-62-02-207	LEG STAND TOP PC	1	6.2	308-66-00-193-A	TOP COUPLING ELBOW PC	1
1.2	308-63-03-000	8" INLET ASSY	1	6.3	308-66-00-193-B	TOP COUPLING ELBOW PC	1
1.2.1	308-63-03-188	TOP COVER - 8"	1	6.4	244-08-00-307	CLAMP RING	1
1.2.2	308-63-01-189	8" EXTENSION PIPE	1	7	308-65-00-000	8" COUPLING BASE ASSY-TOP DISCH	1
1.2.3	244-07-01-306	COUPLING BASE	1			PIPE	
1.2.4	250-96-00-298	CHAIN LUG	1	7.1	308-65-00-191	8" EXTENSION-TOP DISCHARGE	1
1.3	308-70-01-000	5 OUTLET CANNISTER ASSY	1	7.2	244-07-01-306	COUPLING BASE	1
1.3.1	308-62-01-177	CANNISTER BOTTOM	1	7.3	358-92-02-306	8" DISCHARGE FLANGE	1
1.3.2	308-70-01-204	5 OUTLET CANNISTER	1	7.4	250-96-00-298	CHAIN LUG	1
1.3.3	308-62-01-197	FLANGE	1	8	244-09-00-000	8" CLAMP & CHAIN ASSY	2
1.3.4	308-62-01-199	BARBED CONNECTOR w/ sq END	5	8.1	R02488	8" RINGLOCK CLAMP	1
1.3.5	308-62-01-178	DEFLECTOR PLATE	5	8.2	250-97-00-297	CLAMP CHAIN	1
1.3.6	308-62-01-179	DEFLECTOR TUBE	5	9	200-00-00-132	S.M.V. SIGN HOLDER	1
1.5	R07794	3/8-16 UNC FLANGE NUT	17	10	308-00-00-149	SHORT INJECTOR HOSE	2
1.6	R07721	3/8 x 1 UNC CARRIAGE BOLT	17	11	308-00-00-148	LONG INJECTOR HOSE	3
2	308-82-00-000	8" DISCHARGE EXT. TUBE ASSY	1	12	308-00-00-196	8" DISCHARGE HOSE	1
2.1	308-77-00-224	SUPPORT TUBE	1	13	R02360	8" SQ RAINWAY/HUSKY GASKET	3
2.2	308-54-00-155	SUPPORT TUBE GUSSET	1	14	R02480	3" BAUER SUPER CLAMP	10
2.3	308-77-00-227	GUSSET	1	15	R02844	8" SPIRAL CLAMP	2
2.4	308-82-00-230	DISCHARGE PIPE	1	16	R07619	3/8 x 1 UNC HEX BOLT	4
2.5	358-92-02-306	8" DISCHARGE FLANGE	1	17	R07622	3/8 x 2 1/2 HEX BOLT	2
2.6	308-82-00-231	SMV SIGN HOLDER-8" PIPE	1	18	R07644	1/2 x 5 HEX BOLT	6
2.7	244-07-01-306	COUPLING BASE	1	19	R07671	7/16 x 1 1/4 HEX BOLT	6
2.8	308-63-01-189	8" EXTENSION PIPE	1	20	R07783	3/8-16 UNC HEX NUT	6
2.9	308-62-02-184	BACK PLATE BRKT	1	21	R07784	7/16 HEX NUT	6
3	358-92-03-000	8" EXTENSION PIPE ASSY	1	22	R07785	1/2 HEX NUT	6
3.1	358-92-03-307	8" EXTENSION PIPE	1	23	R07803	3/8" LOCK WASHER	6
3.2	358-92-02-306	8" DISCHARGE FLANGE	1	24	R07804	7/16 LOCK WASHER	6
4	358-92-04-000	8" SPLASH PLATE ASSY	1	25	R07805	1/2 LOCK WASHER	6
4.1	358-92-04-308	8" SPLASH PLATE	1	26	R09501	SLOW MOVING VEHICLE DECAL	1
4.2	358-92-04-309	8" SPLASH PLATE TUBE	1	27	308-86-00-000	8" VALVE KIT w/ INDICATOR ROD &	1
4.3	358-92-04-310	WING FOR 8" SPLASH PLATE	2			HYD HOSES	
4.4	358-92-04-311	CLAMPING TUBE BRKT	2				

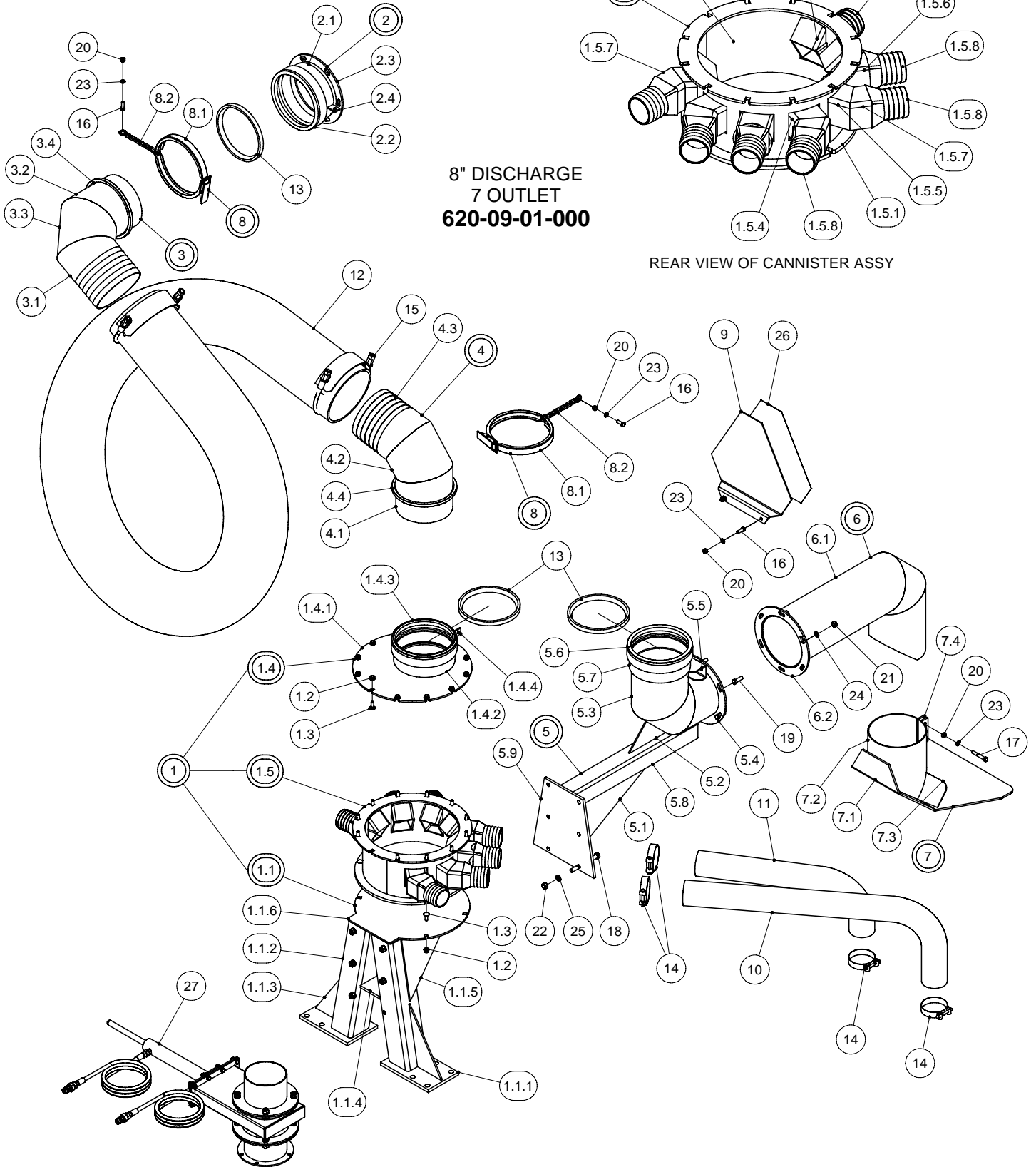
SPLASH PLATE - 8" DISCHARGE, 6 OUTLET



SPLASH PLATE - 8" DISCHARGE, 6 OUTLET

PARTS LIST				PARTS LIST			
ITEM	PART NUMBER	DESCRIPTION	QTY	ITEM	PART NUMBER	DESCRIPTION	QTY
1	308-92-00-000	6 OUTLET CANNISTER KIT - 8"	1	5.2	308-77-00-227	GUSSET	1
1.1	308-62-02-000	DOUBLE LEG STAND	1	5.3	308-82-00-230	DISCHARGE PIPE	1
1.1.1	308-62-02-185	UPPER CLAMP PLATE	2	5.4	358-92-02-306	8" DISCHARGE FLANGE	1
1.1.2	308-62-02-183	CANNISTER LEG	2	5.5	308-82-00-231	SMV SIGN HOLDER-8" PIPE	1
1.1.3	308-62-02-187	GUSSET	2	5.6	244-07-01-306	COUPLING BASE	1
1.1.4	308-62-02-200	BRACE PLATE	1	5.7	308-63-01-189	8" EXTENSION PIPE	1
1.1.5	308-62-02-208	GUSSET	2	5.8	308-77-00-224	SUPPORT TUBE	1
1.1.6	308-62-02-207	LEG STAND TOP PC	1	5.9	308-62-02-184	BACK PLATE BRKT	1
1.2	R07794	3/8-16 UNC FLANGE NUT	17	6	358-92-03-000	8" EXTENSION PIPE ASSY	1
1.3	R07721	3/8 x 1 UNC CARRIAGE BOLT	17	6.1	358-92-03-307	8" EXTENSION PIPE	1
1.4	308-63-03-000	8" INLET ASSY	1	6.2	358-92-02-306	8" DISCHARGE FLANGE	1
1.4.1	308-63-03-188	TOP COVER -8"	1	7	358-92-04-000	8" SPLASH PLATE ASSY	1
1.4.2	308-63-01-189	8" EXTENSION PIPE	1	7.1	358-92-04-308	8" SPLASH PLATE	1
1.4.3	244-07-01-306	COUPLING BASE	1	7.2	358-92-04-309	8" SPLASH PLATE TUBE	1
1.4.4	250-96-00-298	CHAIN LUG	1	7.3	358-92-04-310	WING FOR 8" SPLASH PLATE	2
1.5	308-91-01-000	6 OUTLET CANNISTER ASSY	1	7.4	358-92-04-311	CLAMPING TUBE BRKT	2
1.5.1	308-62-01-177	CANNISTER BOTTOM	1	8	244-09-00-000	8" CLAMP & CHAIN ASSY	2
1.5.2	308-62-01-197	FLANGE	1	8.1	R02488	8" RINGLOCK CLAMP	1
1.5.3	308-62-01-199	BARBED CONNECTOR w/ sq END	6	8.2	250-97-00-297	CLAMP CHAIN	1
1.5.4	308-62-01-178	DEFLECTOR PLATE	6	9	200-00-00-132	S.M.V. SIGN HOLDER	1
1.5.5	308-91-01-256	6OUTLET CANNISTER	1	10	308-00-00-148	LONG INJECTOR HOSE	4
1.5.6	308-62-01-179	DEFLECTOR TUBE	6	11	308-00-00-149	SHORT INJECTOR HOSE	2
2	308-65-00-000	8" COUPLING BASE ASSY-TOP DISCH PIPE	1	12	308-00-00-196	8" DISCHARGE HOSE	1
				13	R02360	8" SQ RAINWAY/HUSKY GASKET	3
2.1	308-65-00-191	8" EXTENSION-TOP DISCHARGE	1	14	R02480	3" BAUER SUPER CLAMP	12
2.2	244-07-01-306	COUPLING BASE	1	15	R02844	8" SPIRAL CLAMP	2
2.3	358-92-02-306	8" DISCHARGE FLANGE	1	16	R07619	3/8 x 1 UNC HEX BOLT	4
2.4	250-96-00-298	CHAIN LUG	1	17	R07622	3/8 x 2 1/2 HEX BOLT	2
3	308-66-00-000	8" COUPLING ELBOW ASSY-TOP	1	18	R07644	1/2 x 5 HEX BOLT	6
3.1	308-66-00-192	8" BARBED ELBOW END	1	19	R07671	7/16 x 1 1/4 HEX BOLT	6
3.2	308-66-00-193-A	TOP COUPLING ELBOW PC	1	20	R07783	3/8-16 UNC HEX NUT	6
3.3	308-66-00-193-B	TOP COUPLING ELBOW PC	1	21	R07784	7/16 HEX NUT	6
3.4	244-08-00-307	CLAMP RING	1	22	R07785	1/2 HEX NUT	6
4	308-67-00-000	8" COUPLING ELBOW ASSY-BOTTOM	1	23	R07803	3/8" LOCK WASHER	6
4.1	308-67-00-195-A	BOTTOM COUPLING ELBOW PC	1	24	R07804	7/16 LOCK WASHER	6
4.2	308-67-00-195-B	BOTTOM COUPLING ELBOW PC	1	25	R07805	1/2 LOCK WASHER	6
4.3	308-67-00-194	BARBED ELBOW END	1	26	R09501	SLOW MOVING VEHICLE DECAL	1
4.4	244-08-00-307	CLAMP RING	1	27	308-86-00-000	8" VALVE KIT w/ INDICATOR ROD & HYD HOSES	1
5	308-82-00-000	8" DISCHARGE EXT. TUBE ASSY	1				
5.1	308-54-00-155	SUPPORT TUBE GUSSET	1				

SPLASH PLATE - 8" DISCHARGE, 7 OUTLET

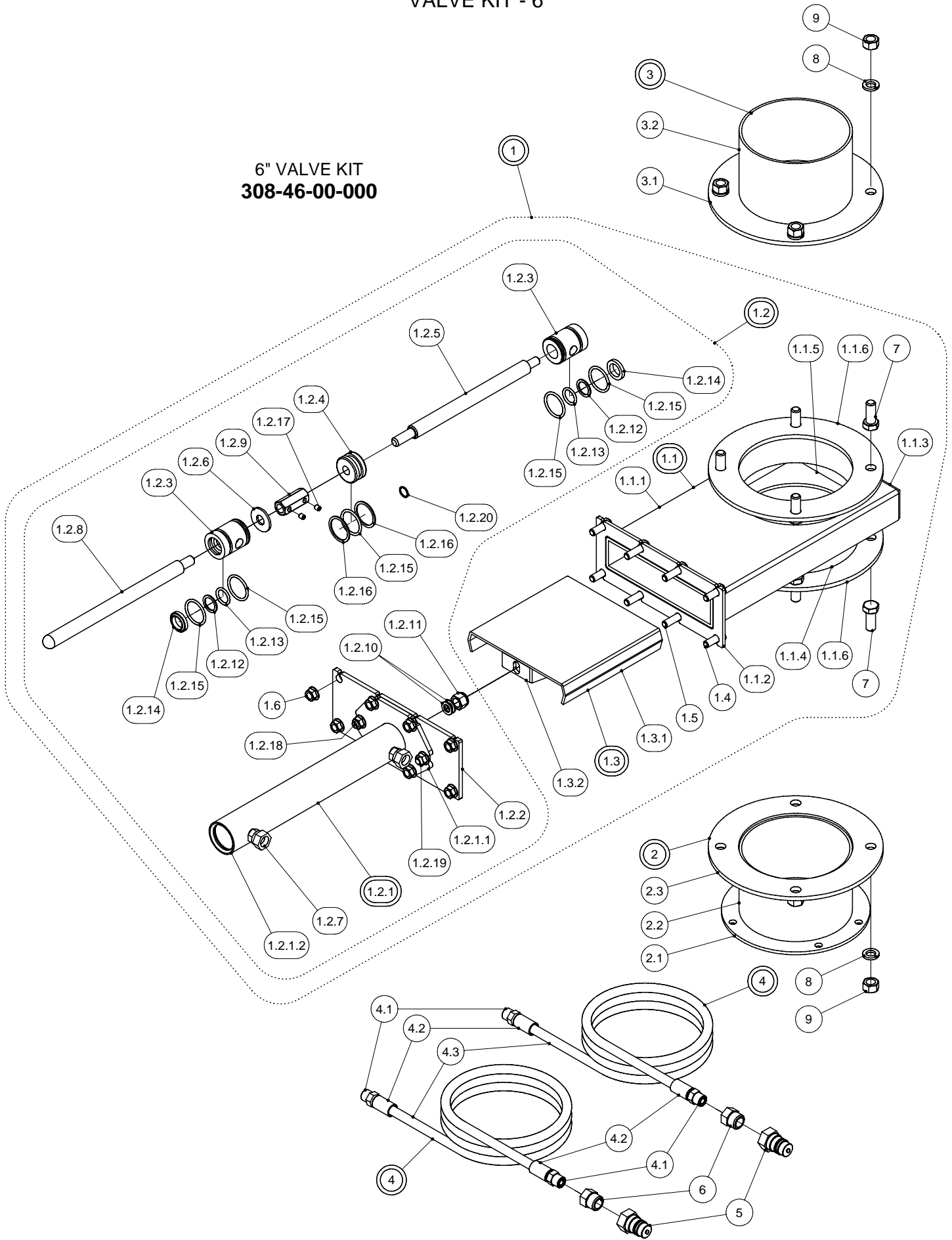


SPLASH PLATE - 8" DISCHARGE, 7 OUTLET

PARTS LIST				PARTS LIST			
ITEM	PART NUMBER	DESCRIPTION	QTY	ITEM	PART NUMBER	DESCRIPTION	QTY
1	308-63-00-000	7 OUTLET CANNISTER KIT - 8"	1	5	308-82-00-000	8" DISCHARGE EXT. TUBE ASSY	1
1.1	308-62-02-000	DOUBLE LEG STAND	1	5.1	308-54-00-155	SUPPORT TUBE GUSSET	1
1.1.1	308-62-02-185	UPPER CLAMP PLATE	2	5.2	308-77-00-227	GUSSET	1
1.1.2	308-62-02-183	CANNISTER LEG	2	5.3	308-82-00-230	DISCHARGE PIPE	1
1.1.3	308-62-02-187	GUSSET	2	5.4	358-92-02-306	8" DISCHARGE FLANGE	1
1.1.4	308-62-02-200	BRACE PLATE	1	5.5	308-82-00-231	SMV SIGN HOLDER-8" PIPE	1
1.1.5	308-62-02-208	GUSSET	2	5.6	244-07-01-306	COUPLING BASE	1
1.1.6	308-62-02-207	LEG STAND TOP PC	1	5.7	308-63-01-189	8" EXTENSION PIPE	1
1.2	R07794	3/8-16 UNC FLANGE NUT	17	5.8	308-77-00-224	SUPPORT TUBE	1
1.3	R07721	3/8 x 1 UNC CARRIAGE BOLT	17	5.9	308-62-02-184	BACK PLATE BRKT	1
1.4	308-63-03-000	8" INLET ASSY	1	6	358-92-03-000	8" EXTENSION PIPE ASSY	1
1.4.1	308-63-03-188	TOP COVER -8"	1	6.1	358-92-03-307	8" EXTENSION PIPE	1
1.4.2	308-63-01-189	8" EXTENSION PIPE	1	6.2	358-92-02-306	8" DISCHARGE FLANGE	1
1.4.3	244-07-01-306	COUPLING BASE	1	7	358-92-04-000	8" SPLASH PLATE ASSY	1
1.4.4	250-96-00-298	CHAIN LUG	1	7.1	358-92-04-308	8" SPLASH PLATE	1
1.5	308-79-01-000	7 OUTLET CANNISTER ASSY	1	7.2	358-92-04-309	8" SPLASH PLATE TUBE	1
1.5.1	308-62-01-177	CANNISTER BOTTOM	1	7.3	358-92-04-310	WING FOR 8" SPLASH PLATE	2
1.5.2	308-79-01-229	7 OUTLET CANNISTER	1	7.4	358-92-04-311	CLAMPING TUBE BRKT	2
1.5.3	308-62-01-197	FLANGE	1	8	244-09-00-000	8" CLAMP & CHAIN ASSY	2
1.5.4	308-79-01-274	LH ANGLED DEFLECTOR TUBE	1	8.1	R02488	8" RINGLOCK CLAMP	1
1.5.5	308-62-01-180	ANGLED DEFLECTOR TUBE	3	8.2	250-97-00-297	CLAMP CHAIN	1
1.5.6	308-62-01-179	DEFLECTOR TUBE	3	9	200-00-00-132	S.M.V. SIGN HOLDER	1
1.5.7	308-62-01-181	SHORT TUBE ANGLE	4	10	308-00-00-148	LONG INJECTOR HOSE	4
1.5.8	308-62-01-199	BARBED CONNECTOR w/ sq END	7	11	308-00-00-149	SHORT INJECTOR HOSE	3
1.5.9	308-62-01-178	DEFLECTOR PLATE	7	12	308-00-00-196	8" DISCHARGE HOSE	1
2	308-65-00-000	8" COUPLING BASE ASSY-TOP	1	13	R02360	8" SQ RAINWAY/HUSKY GASKET	3
		DISCH PIPE		14	R02480	3" BAUER SUPER CLAMP	14
2.1	308-65-00-191	8" EXTENSION-TOP DISCHARGE	1	15	R02844	8" SPIRAL CLAMP	2
2.2	244-07-01-306	COUPLING BASE	1	16	R07619	3/8 x 1 UNC HEX BOLT	4
2.3	358-92-02-306	8" DISCHARGE FLANGE	1	17	R07622	3/8 x 2 1/2 HEX BOLT	2
2.4	250-96-00-298	CHAIN LUG	1	18	R07644	1/2 x 5 HEX BOLT	6
3	308-66-00-000	8" COUPLING ELBOW ASSY-TOP	1	19	R07671	7/16 x 1 1/4 HEX BOLT	6
3.1	308-66-00-192	8" BARBED ELBOW END	1	20	R07783	3/8-16 UNC HEX NUT	6
3.2	308-66-00-193-A	TOP COUPLING ELBOW PC	1	21	R07784	7/16 HEX NUT	6
3.3	308-66-00-193-B	TOP COUPLING ELBOW PC	1	22	R07785	1/2 HEX NUT	6
3.4	244-08-00-307	CLAMP RING	1	23	R07803	3/8" LOCK WASHER	6
4	308-67-00-000	8" COUPLING ELBOW ASSY-BOTTOM	1	24	R07804	7/16 LOCK WASHER	6
4.1	308-67-00-195-A	BOTTOM COUPLING ELBOW PC	1	25	R07805	1/2 LOCK WASHER	6
4.2	308-67-00-195-B	BOTTOM COUPLING ELBOW PC	1	26	R09501	SLOW MOVING VEHICLE DECAL	1
4.3	308-67-00-194	BARBED ELBOW END	1	27	308-46-00-000	6" VALVE W/ INDICATOR ROD	1
4.4	244-08-00-307	CLAMP RING	1				

VALVE KIT - 6"

6" VALVE KIT
308-46-00-000



VALVE KIT - 6"

PARTS LIST				PARTS LIST			
ITEM	PART NUMBER	DESCRIPTION	QTY	ITEM	PART NUMBER	DESCRIPTION	QTY
1	308-49-00-000	VALVE w/ INDICATOR ROD ASSY	1	1.2.17	R07906	5/16 x 3/8" SET SCREW	2
1.1	308-49-02-000	VALVE BODY ASSY	1	1.2.18	R07721	3/8 x 1 UNC CARRIAGE BOLT	2
1.1.1	250-79-35-189	VALVE HOUSING	1	1.2.19	R07794	3/8-16 UNC FLANGE NUT	2
1.1.2	275-01-02-012	VALVE FLANGE	1	1.2.20	R20865	O-RING #11-014	1
1.1.3	275-01-02-062	VALVE END CAP	1	1.3	275-17-00-000	VALVE GATE ASSY	1
1.1.4	308-49-02-144	VALVE EXTENSION PIPE - SHORT	1	1.3.1	275-17-00-080	VALVE GATE	1
1.1.5	308-49-02-143	VALVE EXTENSION PIPE	1	1.3.2	275-17-00-081	VALVE GATE BRACKET	1
1.1.6	308-49-02-145	FLANGE	2	1.4	R07619	3/8 x 1 UNC HEX BOLT	4
1.2	308-49-03-000	CYL & INDICATOR ROD ASSY	1	1.5	R07675	3/8 x 1 1/4 UNC HEX BOLT	4
1.2.1	308-49-01-000	CYLINDER TUBE ASSY	1	1.6	R07794	3/8-16 UNC FLANGE NUT	8
1.2.1.1	296-39-01-122	HYDRAULIC CYL TUBE FLANGE	1	2	308-69-00-000	VALVE EXTENSION PIPE ASSY	1
1.2.1.2	308-49-01-275	CYLINDER TUBE	1	2.1	364-01-03-376	DISCHARGE RING	1
1.2.2	296-39-00-123	CYLINDER FLANGE	1	2.2	364-01-03-063	DISCHARGE TUBE	1
1.2.3	340-36-00-434	WIPER BLOCK	2	2.3	308-49-02-145	FLANGE	1
1.2.4	340-36-00-435	CYLINDER PLUNGER	1	3	308-46-14-000	FLANGE ASSY	1
1.2.5	250-70-00-158	HYDRAULIC CYLINDER SHAFT	1	3.1	308-46-14-135	FLANGE	1
1.2.6	R07825	1/2 FLAT WASHER	1	3.2	308-46-14-136	FLANGE TUBE	1
1.2.7	R21287	1/4M x 3/8 SWIVEL ADAPTER	2	4	242-35-00-000	HYDRAULIC HOSE ASSY	2
1.2.8	307-36-00-099	INDICATOR ROD	1	4.1	R20803	3/8 - 16 NPT SOLID MALE STEM	2
1.2.9	340-50-00-469	SHAFT CONNECTOR	1	4.2	R21235	STEEL FERRULE - 1/4" MEGAFLEX HOSE	2
1.2.10	R08221	7/16 SS FLAT WASHER	2	4.3	242-35-00-159	HYDRAULIC HOSE - 14000L	1
1.2.11	R08229	1/2" S.S. NYLOC HEX NUT	1	5	R21342	1/2" MALE PIONEER TIP	2
1.2.12	R20862	3/4" BACKUP #210	2	6	R02043	BUSHING 1/2 x 3/8	2
1.2.13	R20771	O-RING #11-210	2	7	R07674	1/2 x 1 1/4 UNC HEX BOLT	8
1.2.14	R20774	3/4" HYTREL ROD WIPER 52-750	2	8	R07805	1/2" LOCK WASHER	8
1.2.15	R20866	O-RING #11-218	5	9	R07785	1/2-13 UNC HEX NUT	8
1.2.16	R20867	BACKUP RING #8-218	2				

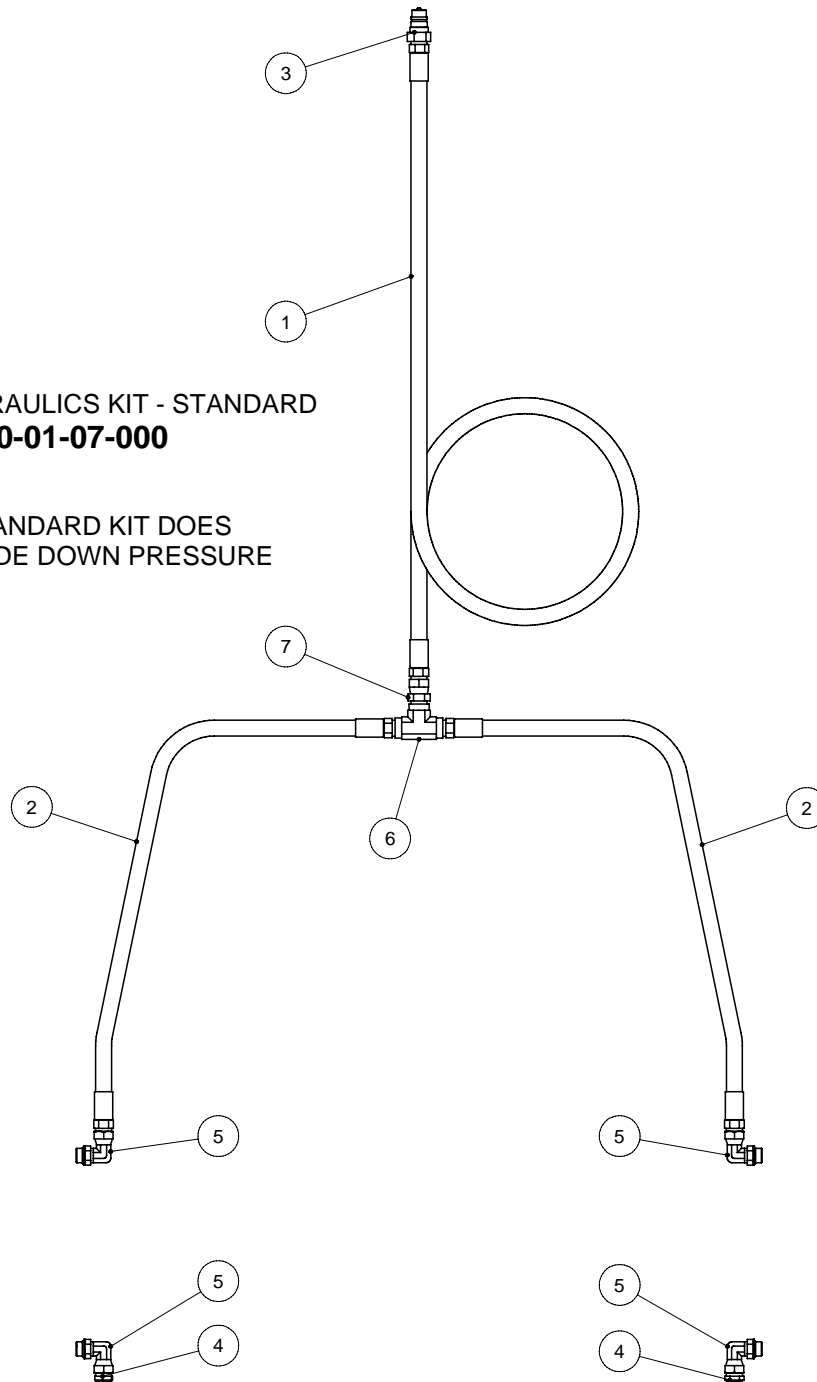
VALVE KIT - 8"

PARTS LIST				PARTS LIST			
ITEM	PART NUMBER	DESCRIPTION	QTY	ITEM	PART NUMBER	DESCRIPTION	QTY
1	308-86-05-000	8" VALVE W/INDICATOR VALVE KIT	1	1.2.12	R21287	1/4M x 3/8 SWIVEL ADAPTER	2
1.1	308-86-02-000	VALVE BODY ASSY W/FLANGES	1	1.2.13	R08229	1/2" S.S. NYLOC HEX NUT	1
1.1.1	244-14-01-000	VALVE BODY ASSY	1	1.2.14	R08222	1/2" SAE S.S. FLAT WASHER	3
1.1.1.1	244-14-01-323	VALVE BODY	1	1.2.15	340-50-00-469	SHAFT CONNECTOR	1
1.1.1.2	244-14-01-324	VALVE BODY SUPPORT	1	1.2.16	R07906	5/16 x 3/8" SET SCREW	2
1.1.1.3	242-97-00-231	VALVE INNER FLANGE	1	1.2.17	308-86-01-249	HYDRAULIC INDICATOR ROD	1
1.1.1.4	242-97-00-230	VALVE END CAP	1	1.2.18	R20862	3/4" BACKUP #210	2
1.1.2	308-86-02-247	UPPER EXTENSION PIPE	1	1.2.19	340-36-00-434	WIPER BLOCK	2
1.1.3	358-92-02-306	8" DISCHARGE FLANGE	1	1.3	242-36-42-000	VALVE GATE ASSY	1
1.1.4	358-92-01-301	8" HOUSING DISCHARGE RING	1	1.3.1	242-36-42-268	VALVE GATE	1
1.1.5	308-86-02-248	LOWER EXTENSION PIPE	1	1.3.2	242-36-42-269	VALVE GATE BRKT	1
1.2	308-86-01-000	CYL & INDICATOR ROD ASSY	1	1.4	R07619	3/8 x 1 HEX BOLT	10
1.2.1	308-86-03-000	HYDRAULIC CYLINDER TUBE ASSY	1	1.5	R07794	3/8 FLANGE NUT	10
1.2.1.1	244-26-01-344	CYLINDER TUBE FLANGE	1	2	308-86-04-000	HOSE ADAPTOR TUBE	1
1.2.1.2	308-86-03-250	HYD CYLINDER TUBE	1	2.1	358-92-02-306	8" DISCHARGE FLANGE	1
1.2.2	244-14-02-325	CYLINDER SHAFT	1	2.2	308-86-04-257	HOSE ADAPTOR TUBE	1
1.2.3	340-36-00-435	CYLINDER PLUNGER	1	3	R07879	7/16 FLANGE NUT	6
1.2.4	R20865	O-RING #11-014	1	4	R07628	7/16 x 1 HEX BOLT	6
1.2.5	R20867	BACKUP RING #8-218	2	5	R02043	BUSHING 1/2 x 3/8	2
1.2.6	R20866	O-RING #11-218	5	6	242-35-00-000	HYDRAULIC HOSE ASSY	2
1.2.7	R20771	O-RING #11-210	2	6.1	R20803	3/8 - 16 NPT SOLID MALE STEM	2
1.2.8	R20774	3/4" HYTREL ROD WIPER 52-750	2	6.2	R21235	STEEL FERRULE - 1/4" MEGAFLEX HOSE	2
1.2.9	244-26-00-345	FLANGE	1				
1.2.10	R07776	3/8" x 3/4" CARRIAGE BOLT	2	6.3	242-35-00-159	HYDRAULIC HOSE - 14000L	1
1.2.11	R07794	3/8 FLANGE NUT	2	7	R21342	1/2" MALE PIONEER TIP	2

HYDRAULICS KIT

HD RMSI HYDRAULICS KIT - STANDARD
620-01-07-000

THIS STANDARD KIT DOES
 NOT PROVIDE DOWN PRESSURE

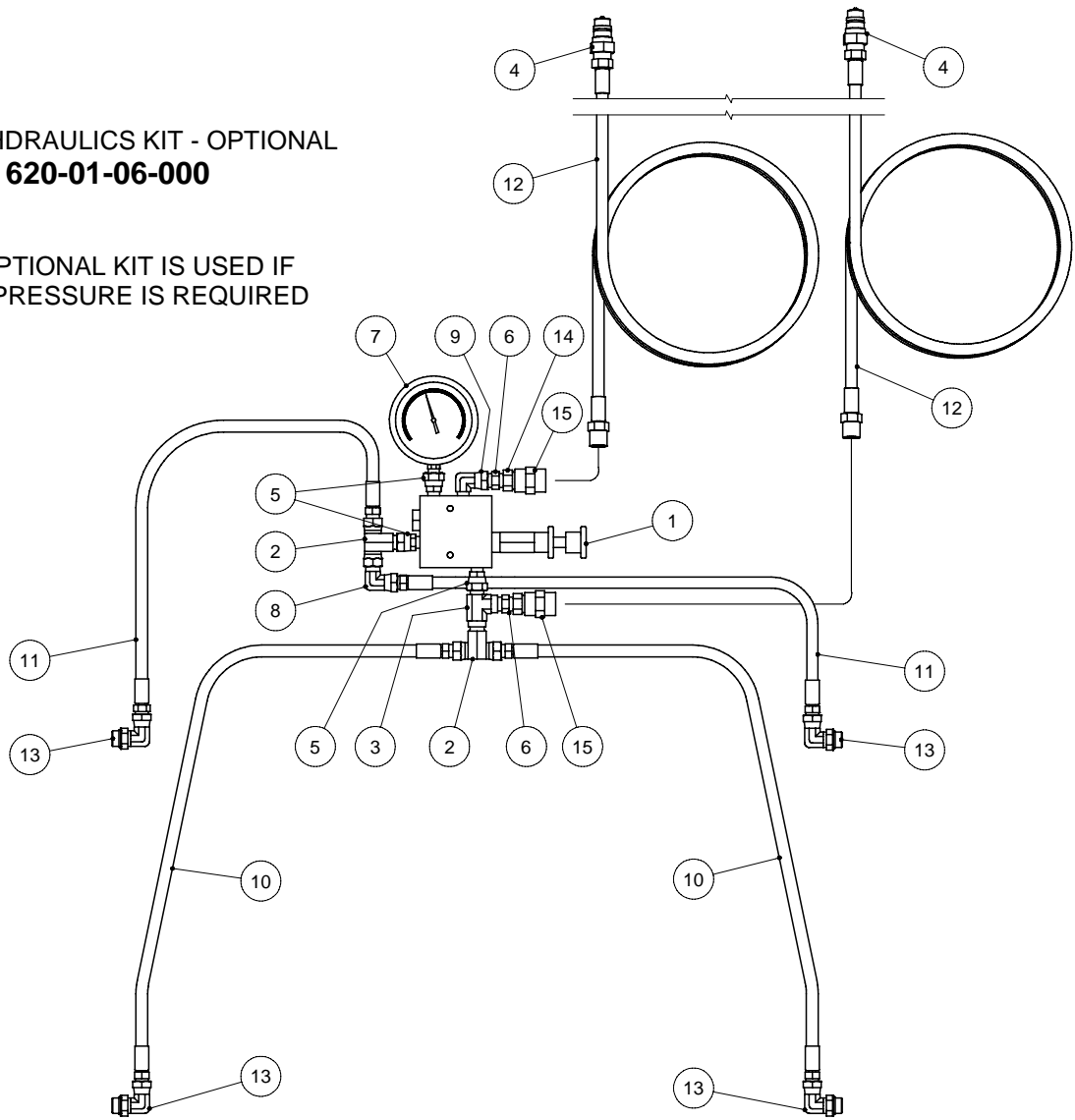


PARTS LIST			
ITEM	PART NUMBER	DESCRIPTION	QTY
1	620-01-08-000	1/2" HYD HOSE ASSY	1
2	620-01-09-000	1/2" HD RMSI - TEE TO CYL - HYD HOSE ASSY	2
3	R21342	1/2" MALE PIONEER TIP	1
4	R22115	1/2 NPT BREATHER	2
5	R20814	3/4 SAE x 1/2 NPT x 90 DEG SW. ADAPTER	4
6	R22159	1/2" NPT SOLID TEE	1
7	R21280	1/2" NPT SW. ADAPTOR	1

HYDRAULICS KIT

HD RMSI HDRAULICS KIT - OPTIONAL
620-01-06-000

THIS OPTIONAL KIT IS USED IF
 DOWN PRESSURE IS REQUIRED



PARTS LIST			
ITEM	PART NUMBER	DESCRIPTION	QTY
1	R22241	8015 PRES. REDUCE VALVE W/ CHECK	1
2	R21391	3/8" HYD. SWIVEL TEE ADAPTER	2
3	R22247	3/8 TEE - MxFxF	1
4	R21342	1/2" MALE PIONEER TIP	2
5	R21303	ADAPTER 9/16 SAE M x 3/8 SW F	3
6	R21397	3/8" HYDRAULIC NIPPLE	2
7	R21250	PRESSURE GAUGE	1
8	R21328	3/8 NPT x 90 DEG SW. ADAPTER	1
9	R20861	9/16 SAE X 3/8" NPT X 90° ADAPTOR	1
10	520-14-00-000	3 PT HITCH - HYD HOSE ASSY	2
11	520-12-00-000	3 PT LIFT KIT - HYD HOSE ASSY	2
12	308-28-00-000	3/8" HYD HOSE ASSY	2
13	R20823	3/4 SAE x 3/8 NPT x 90 DEG SW. ADAPTER	4
14	R02043	BUSHING 1/2 x 3/8	2
15	R21268	1/2" HYDRAULIC COUPLER	2

GUARANTEE

All Husky Farm Equipment manufactured by Husky Farm Equipment Limited is guaranteed. Guarantee covers all the replacement cost or repair of all parts said to be defective from manufacture. Guarantee also covers labour installing said parts, if installed at Husky Manufacturing plant. Time and use is the essence of the guarantee. If equipment is used on a private property for an individual's use, guarantee will be in effect for twelve months from date of invoice. If equipment is used for commercial use to do custom work for money then guarantee will be in effect for three months only from date of invoice.

EXEMPTIONS FROM GUARANTEE

Cost of transportation of equipment to or from Husky Farm Equipment Limited either by customer or by Husky's service staff or cost of mail or public transportation is not covered. Tires and electric or hydraulic motors are covered by manufacturer's warranty and although Husky may assist to get warranty, Husky will not be responsible other than that allowed by manufacturer's warranty. Items subject to normal wear from use not covered by guarantee if faulty part is simply worn.