

Date Purchased _____ Machine Serial No. _____

Options _____

The key number system in this parts book is arranged as follows:

- ⊙ - Key numbers with two circles denotes main assemblies.
- - Key numbers with one circle are individual parts

Please order parts by number



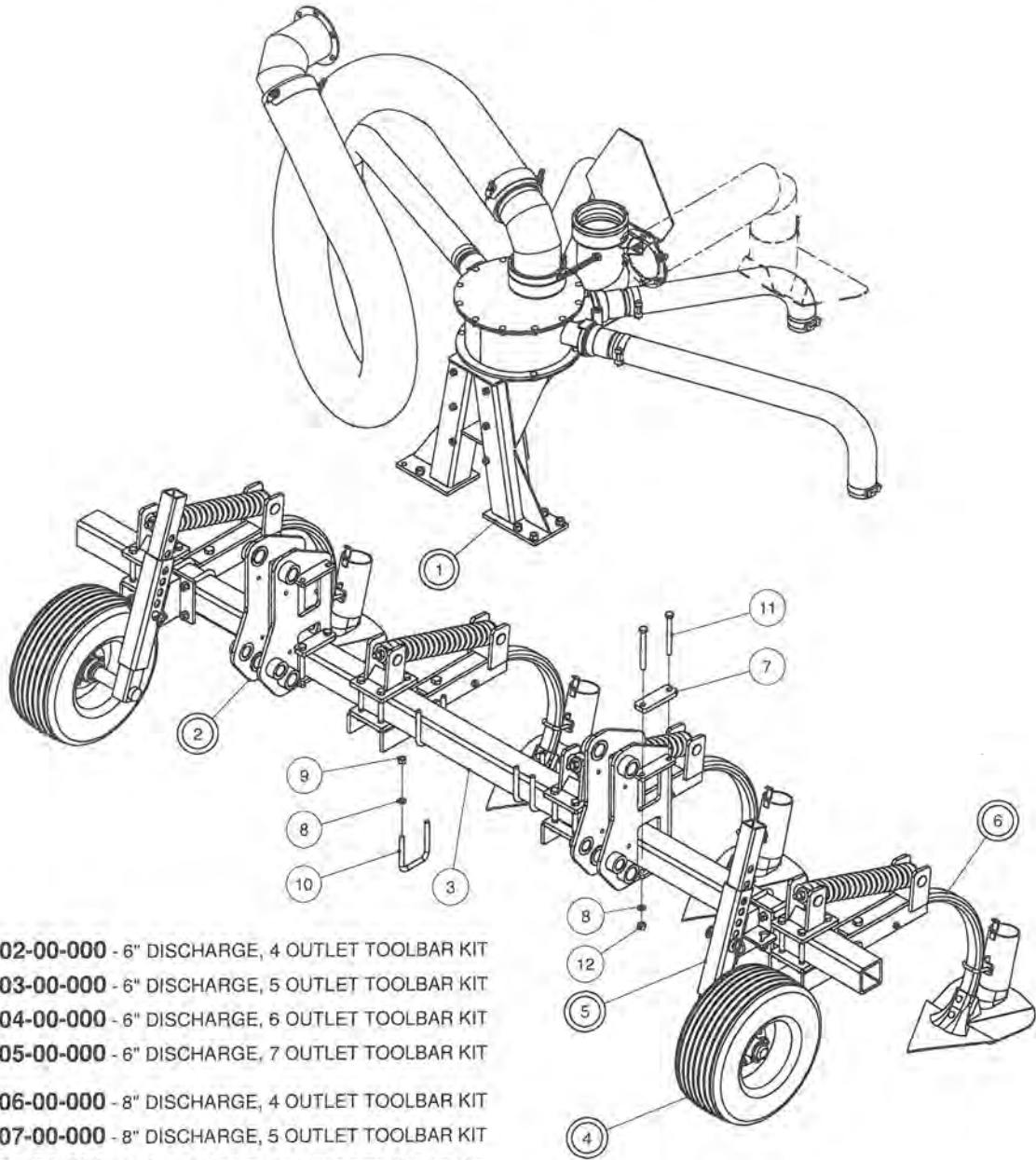
PARALLEL LIFT & SLIMLINE REAR MOUNT SOIL INJECTOR

OPERATING INSTRUCTIONS:

Your Husky Rear Mount Soil Injector is designed to open up the ground wide enough to pump in a stream of manure below the ground surface. Although it is a well built machine it is not indestructible and should be used with common sense

1. Do not try to operate in very hard or stony ground
2. Volume can be controlled by P.T.O. and ground travel speed, as well as how far you open the valve.
3. Your P.T.O. shear pin will protect the injector pump. However, you should try and not inject foreign material, stones etc. Pump can be run at either 540 or 1000 r.p.m, with some tractors it may be necessary to stop P.T.O. or slow it down while turning to avoid shearing pins.
4. Never make a corner with RMSI still in the ground. Lift Injector out of the ground, and then proceed to turn. The injector can then be put back into the ground when tractor is in-line with spreader.
5. **EXTREME DANGER** – Never enter a dirty manure spreader or storage tank – one breath of hydrogen sulphide gas is enough to kill.

TOOLBAR KIT 4 x 4 TUBE

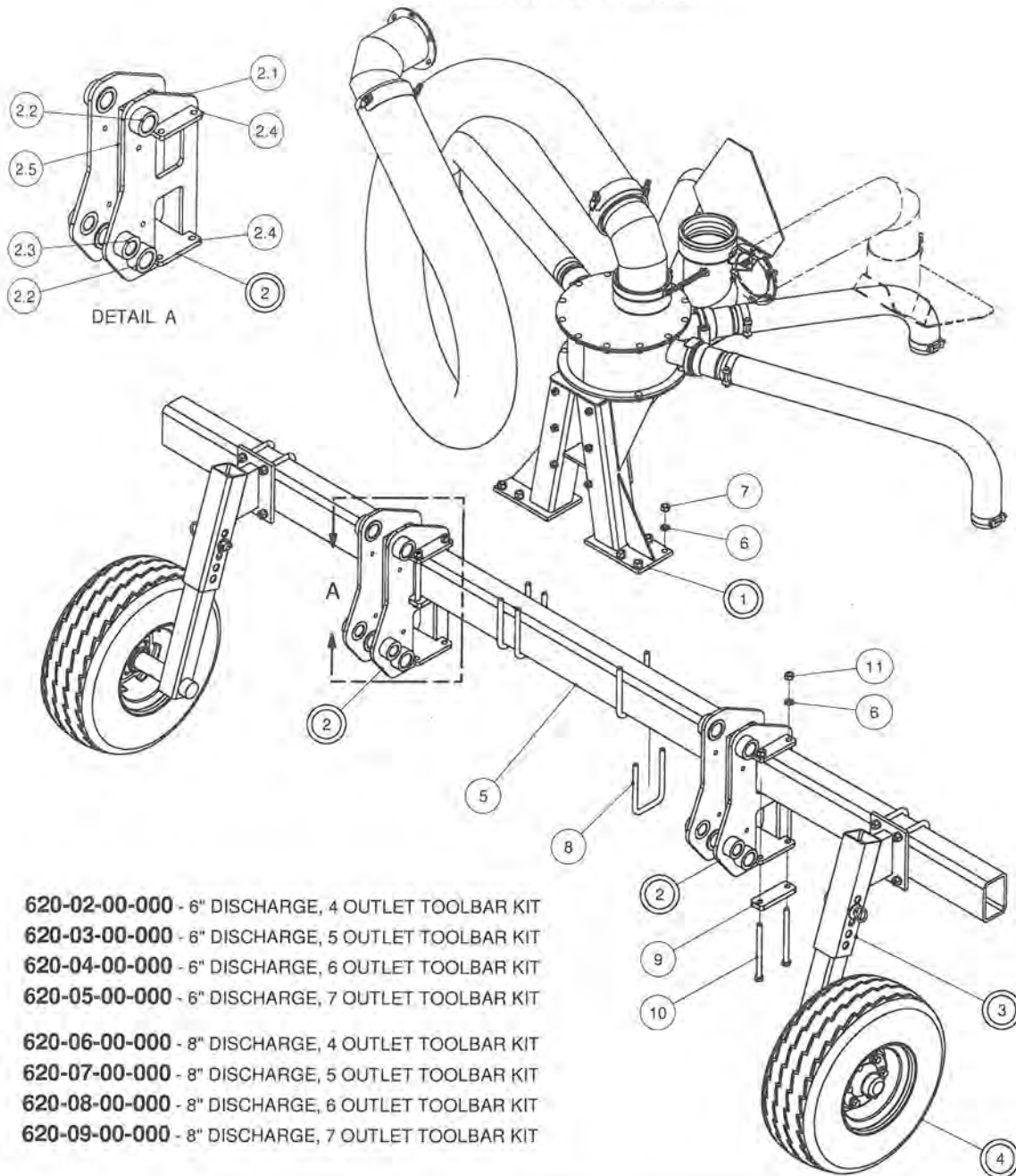


- 621-02-00-000** - 6" DISCHARGE, 4 OUTLET TOOLBAR KIT
- 621-03-00-000** - 6" DISCHARGE, 5 OUTLET TOOLBAR KIT
- 621-04-00-000** - 6" DISCHARGE, 6 OUTLET TOOLBAR KIT
- 621-05-00-000** - 6" DISCHARGE, 7 OUTLET TOOLBAR KIT

- 621-06-00-000** - 8" DISCHARGE, 4 OUTLET TOOLBAR KIT
- 621-07-00-000** - 8" DISCHARGE, 5 OUTLET TOOLBAR KIT
- 621-08-00-000** - 8" DISCHARGE, 6 OUTLET TOOLBAR KIT
- 621-09-00-000** - 8" DISCHARGE, 7 OUTLET TOOLBAR KIT

PARTS LIST				PARTS LIST			
ITEM	PART NUMBER	DESCRIPTION	QTY	ITEM	PART NUMBER	DESCRIPTION	QTY
1	620-02-01-000	6in DISTRIBUTOR KIT, 4 OUTLET	1	4	308-84-00-000	20.5/8.0 TIRE & WHEEL ASSY	2
	620-03-01-000	6in DISTRIBUTOR KIT, 5 OUTLET	1	5	308-85-00-000	ADJUSTABLE WHEEL BRKT KIT	1
	620-04-01-000	6in DISTRIBUTOR KIT, 6 OUTLET	1	6	621-01-00-000	HUSKY SPRING TOOTH KIT	4
	620-05-01-000	6in DISTRIBUTOR KIT, 7 OUTLET	1	7	620-02-00-046	BOLT PLATE	4
	620-06-01-000	8in DISTRIBUTOR KIT, 4 OUTLET	1	8	R07806	5/8" LOCK WASHER	16
	620-07-01-000	8in DISTRIBUTOR KIT, 5 OUTLET	1	9	R07816	5/8-18 UNF HEX NUT	8
	620-08-01-000	8in DISTRIBUTOR KIT, 6 OUTLET	1	10	R08181	5/8 - 18 UNF U-BOLT x 6" LONG	4
	620-09-01-000	8in DISTRIBUTOR KIT, 7 OUTLET	1	11	R07853	5/8 x 6 UNC HEX BOLT	8
2	620-02-04-000	LIFT BRKT KIT	2	12	R07786	5/8-11 UNC HEX NUT	8
3	308-19-00-052	TOOL BAR - 12 FT	1				

TOOLBAR KIT 4 x 6 TUBE

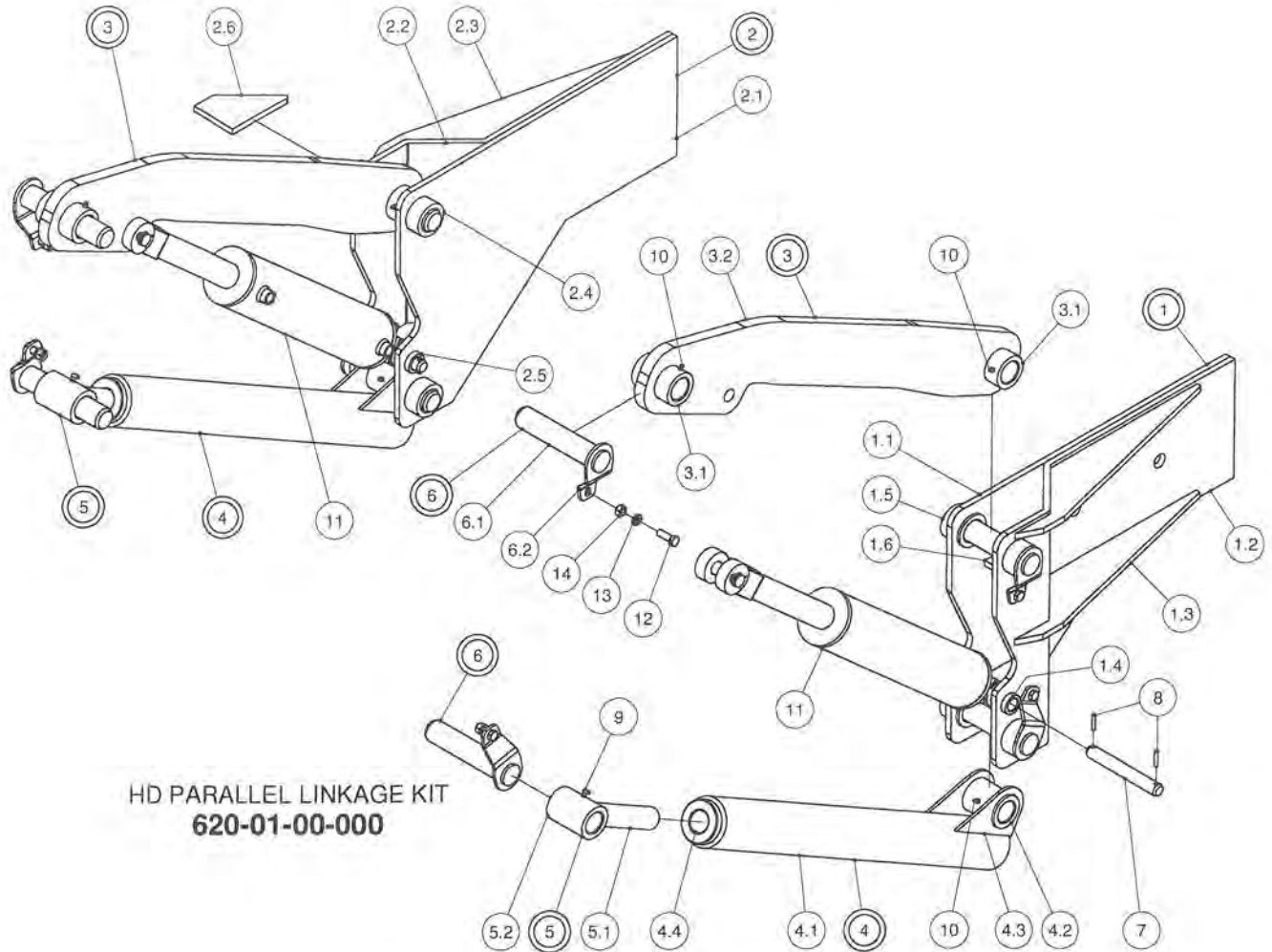


- 620-02-00-000** - 6" DISCHARGE, 4 OUTLET TOOLBAR KIT
- 620-03-00-000** - 6" DISCHARGE, 5 OUTLET TOOLBAR KIT
- 620-04-00-000** - 6" DISCHARGE, 6 OUTLET TOOLBAR KIT
- 620-05-00-000** - 6" DISCHARGE, 7 OUTLET TOOLBAR KIT

- 620-06-00-000** - 8" DISCHARGE, 4 OUTLET TOOLBAR KIT
- 620-07-00-000** - 8" DISCHARGE, 5 OUTLET TOOLBAR KIT
- 620-08-00-000** - 8" DISCHARGE, 6 OUTLET TOOLBAR KIT
- 620-09-00-000** - 8" DISCHARGE, 7 OUTLET TOOLBAR KIT

PARTS LIST				PARTS LIST			
ITEM	PART NUMBER	DESCRIPTION	QTY	ITEM	PART NUMBER	DESCRIPTION	QTY
1	620-02-01-000	6in DISTRIBUTOR KIT, 4 OUTLET	1	2.4	620-02-04-019	"U" BOLT PLATE	2
	620-03-01-000	6in DISTRIBUTOR KIT, 5 OUTLET	1	2.5	620-02-04-020	LIFT BRKT SPACER PLATE	1
	620-04-01-000	6in DISTRIBUTOR KIT, 6 OUTLET	1	3	620-02-05-000	XHD ADJUSTABLE WHEEL KIT - 4" x 6" TUBE	2
	620-05-01-000	6in DISTRIBUTOR KIT, 7 OUTLET	1	4	620-19-00-000	25.5/8.0 TIRE & WHEEL ASSY	2
	620-06-01-000	8in DISTRIBUTOR KIT, 4 OUTLET	1	5	620-02-00-016	4" x 6" TOOLBAR - 12 FT	1
	620-07-01-000	8in DISTRIBUTOR KIT, 5 OUTLET	1	6	R07806	5/8" LOCK WASHER	16
	620-08-01-000	8in DISTRIBUTOR KIT, 6 OUTLET	1	7	R07816	5/8-18 UNF HEX NUT	8
	620-09-01-000	8in DISTRIBUTOR KIT, 7 OUTLET	1	8	R08452	5/8 - 18 UNF x 4" ID x 7.375" LONG U BOLT	4
2	620-02-04-000	LIFT BRKT KIT	2	9	620-02-00-046	BOLT PLATE	4
2.1	620-02-04-017	LIFT BRKT SIDE PLATE	2	10	R08300	5/8 x 8 UNC HEX BOLT	8
2.2	620-01-01-005	1 3/4" OUTER BUSHING	4	11	R07786	5/8-11 UNC HEX NUT	6
2.3	620-02-04-018	3-PT HITCH LIFT ARM BUSHING	2				

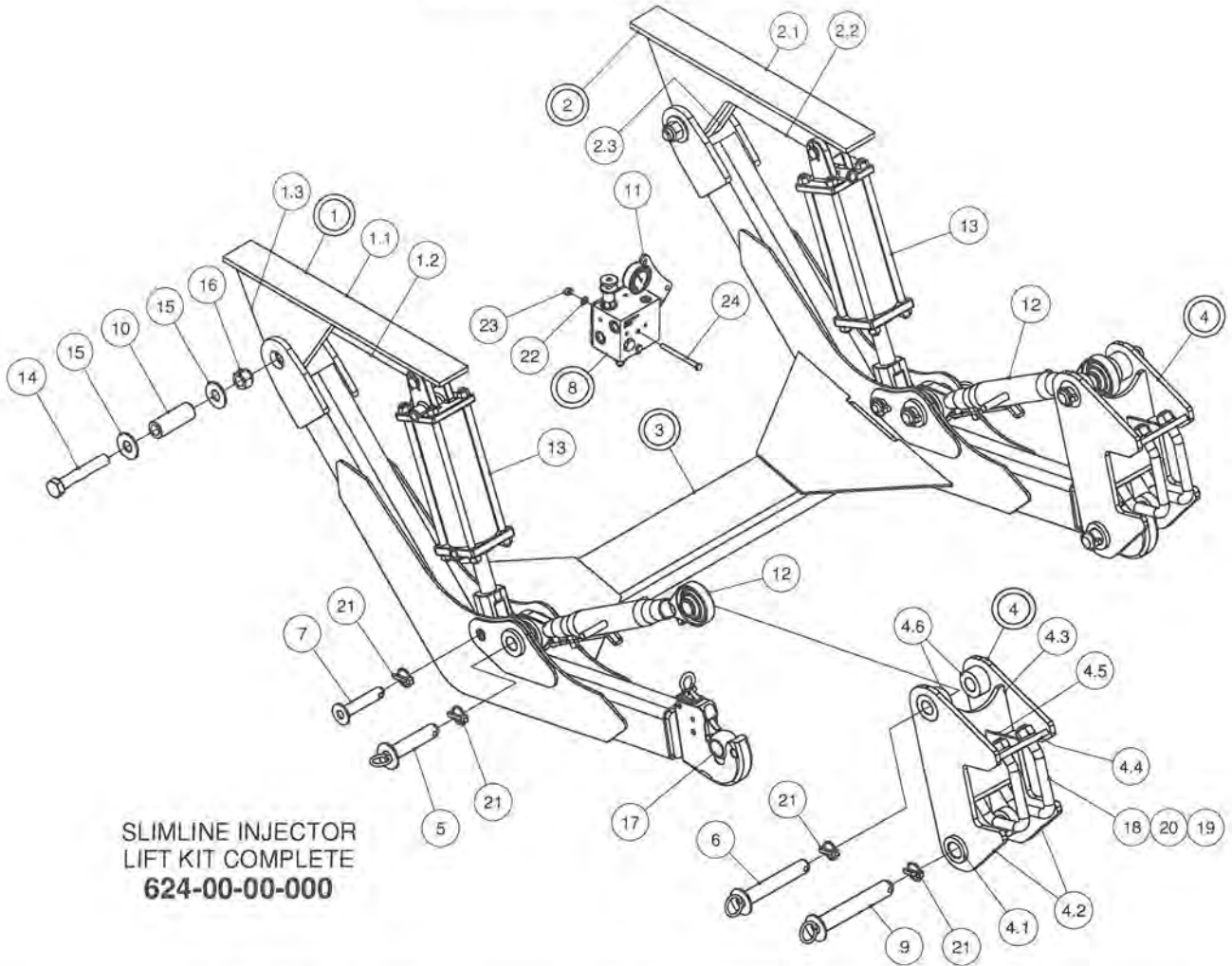
HD PARALLEL LINKAGE KIT



**HD PARALLEL LINKAGE KIT
620-01-00-000**

PARTS LIST				PARTS LIST			
ITEM	PART NUMBER	DESCRIPTION	QTY	ITEM	PART NUMBER	DESCRIPTION	QTY
1	620-01-01-000	RH MOUNTING BRKT ASSY	1	4.1	620-01-04-010	LOWER LIFT ARM TUBE	1
1.1	620-01-01-001	INNER MOUNTING BRKT	1	4.2	620-01-04-011	1 3/4" LOWER LIFT ARM BUSHING	1
1.2	620-01-01-002	RH OUTER MOUNTING BRKT	1	4.3	620-01-04-012	BUSHING GUSSET	2
1.3	620-01-01-004	OUTER GUSSET	2	4.4	620-01-04-013	1 3/4" ADJUSTMENT NUT	1
1.4	620-01-01-006	CYL BUSHING	2	5	620-01-05-000	ADJUSTMENT SCREW ASSY	2
1.5	620-01-01-005	1 3/4" OUTER BUSHING	4	5.1	620-01-05-014	ADJUSTMENT ROD	1
1.6	620-01-01-007	INNER GUSSET	2	5.2	620-01-04-011	1 3/4" LOWER LIFT ARM BUSHING	1
2	620-01-02-000	LH MOUNTING BRKT ASSY	1	6	620-01-10-000	PIVOT PIN ASSY	8
2.1	620-01-01-001	INNER MOUNTING BRKT	1	6.1	620-01-10-032	1 3/4" PIVOT PIN	1
2.2	620-01-02-003	LH OUTER MOUNTING BRKT	1	6.2	620-01-10-033	ANTI-ROTATION PLATE	1
2.3	620-01-01-004	OUTER GUSSET	2	7	620-01-00-022	CYL PIN	2
2.4	620-01-01-005	1 3/4" OUTER BUSHING	4	8	R07962	1/4 x 1 1/2 ROLL PIN	4
2.5	620-01-01-006	CYL BUSHING	2	9	R08182	1/4" - 28 X 90 GREASE FITTING	2
2.6	620-01-01-007	INNER GUSSET	2	10	R08183	1/4" - 28 STRAIGHT GREASE FITTING	6
3	620-01-03-000	UPPER LIFT ARM ASSY	2	11	R22340	40WD16-200 HYD CYLINDER	2
3.1	620-01-03-009	1 3/4" UPPER LIFT ARM BUSHING	2	12	R07638	1/2 x 1 1/2 UNC HEX BOLT	8
3.2	620-01-03-008	UPPER LIFT ARM	1	13	R07805	1/2" LOCK WASHER	8
4	620-01-04-000	LOWER LIFT ARM ASSY	2	14	R07785	1/2-13 UNC HEX NUT	8

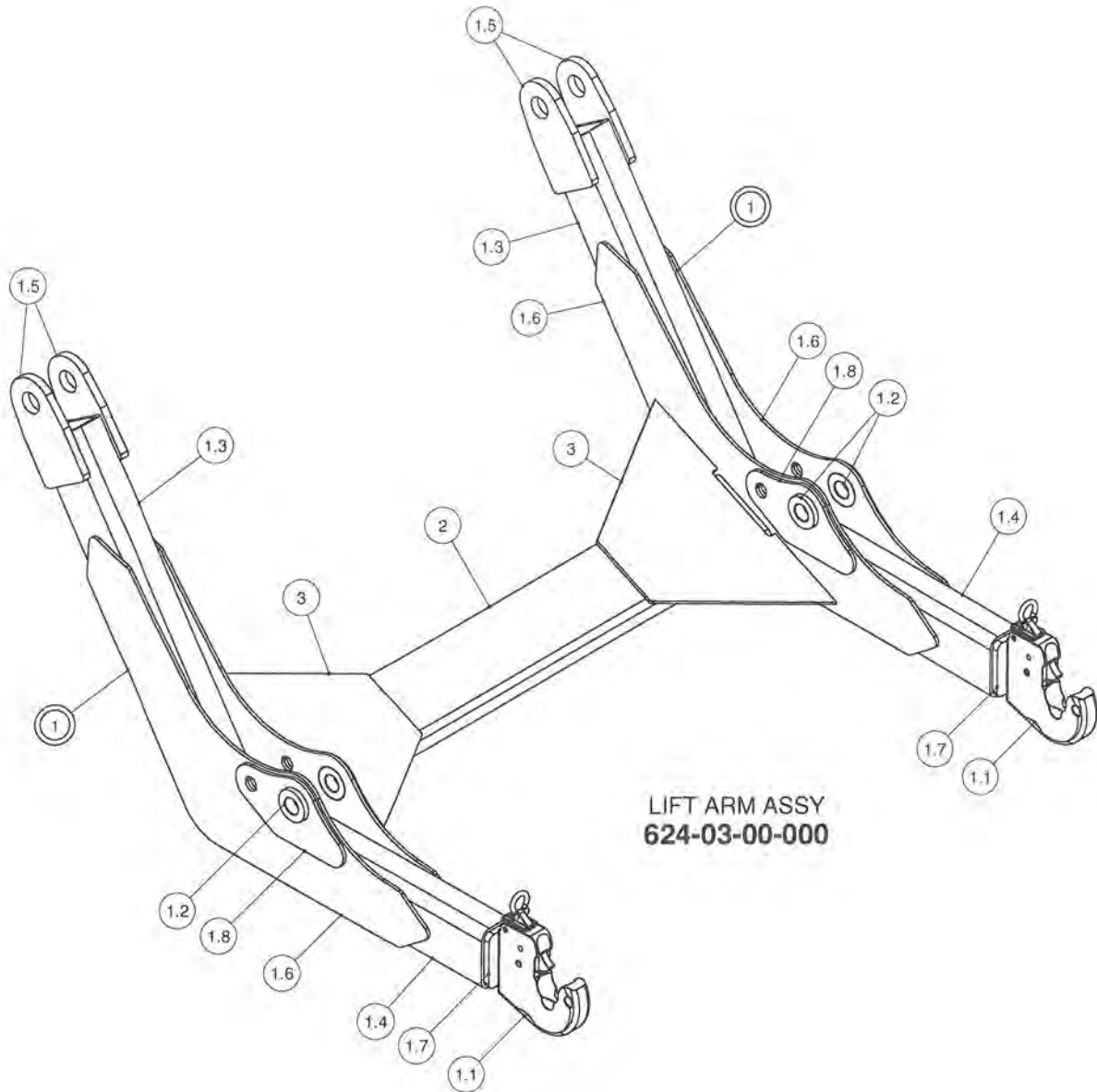
SLIMLINE INJECTOR LIFT KIT



SLIMLINE INJECTOR
LIFT KIT COMPLETE
624-00-00-000

PARTS LIST				PARTS LIST			
ITEM	PART NUMBER	DESCRIPTION	QTY	ITEM	PART NUMBER	DESCRIPTION	QTY
1	624-09-00-000	LH-INJECTOR TANK MOUNT ASSY	1	7	624-07-00-000	CYL PIN ASSY-126mm	2
1.1	624-09-00-024	INJECTOR LUG BACK PLATE	1	8	620-01-06-000	PRESSURE REDUCING HYD KIT	1
1.2	624-09-00-022	SILL SIDE PLATE	1	9	624-08-00-000	HITCH PIN ASSY	2
1.3	624-09-00-023	PIVOT LUG REINFORCING PLATE	1	10	624-00-00-015	PIVOT SLEEVE	2
2	624-10-00-000	RH-INJECTOR TANK MOUNT ASSY	1	11	624-00-00-020	REDUCING MANIFOLD BACK PLATE	1
2.1	624-09-00-024	INJECTOR LUG BACK PLATE	1	12	R10531	CAT. 3 TOP LINK - SHORT	2
2.2	624-09-00-022	SILL SIDE PLATE	1	13	R23309	40TH10 HYD CYL-ORB.	2
2.3	624-09-00-023	PIVOT LUG REINFORCING PLATE	1	14	R07667	1 x 6 UNC HEX BOLT	2
3	624-03-00-000	LIFT ARM ASSY	1	15	R07828	1" FLAT WASHER	4
4	624-04-00-000	LIFT BRKT ASSY	2	16	R08246	1 UNC NYLOCK NUT	2
4.1	620-02-04-018	3-PT HITCH LIFT ARM BUSHING	2	17	R10491	CAT.3 QD - LOWER LINK BALL	2
4.2	624-04-00-011	LIFT BRKT SIDE PLATE	2	18	R08494	7/8" UNF SLANTED U-BOLT GR.8	4
4.3	624-04-00-012	FRONT CLAMP PLATE	1	19	R07813	7/8-14 UNF HEX NUT Gr.8	8
4.4	624-04-00-013	TOP CLAMP PLATE	1	20	R07809	7/8" LOCK WASHER	8
4.5	624-04-00-014	CLAMP PLATE GUSSET	1	21	R08040	2 - 18 LYNCH PIN	8
4.6	624-04-00-019	TOP LINK SLEEVE	2	22	R07803	3/8" LOCK WASHER	2
5	624-05-00-000	TOP LINK PIN ASSY-145mm	2	23	R07783	3/8-16 UNC HEX NUT	2
6	624-06-00-000	TOP LINK PIN ASSY-200mm	2	24	R08050	3/8 x 4 1/2 UNC HEX BOLT	2

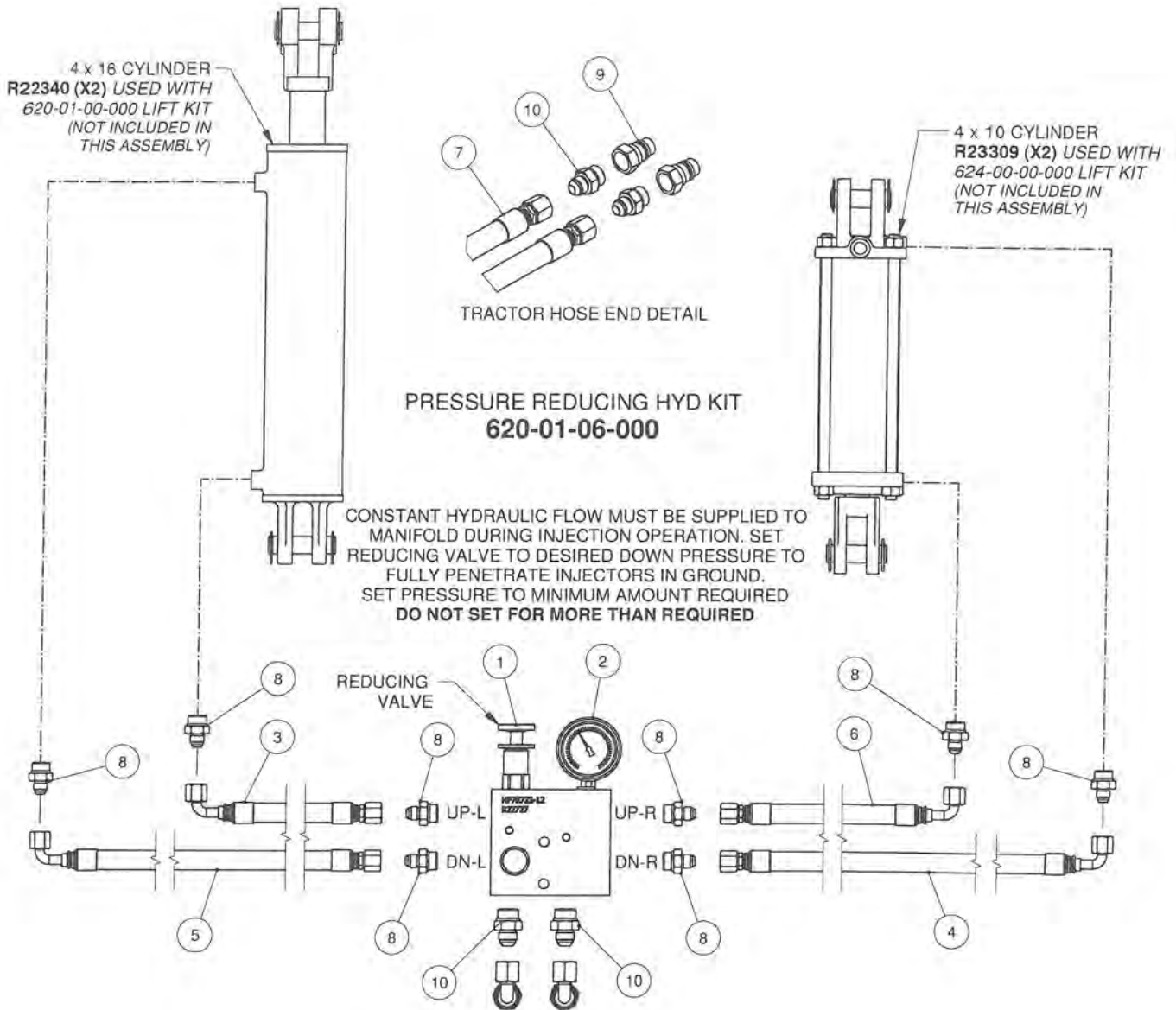
LIFT ARM ASSY



**LIFT ARM ASSY
624-03-00-000**

PARTS LIST			
ITEM	PART NUMBER	DESCRIPTION	QTY
1	624-03-01-000	LIFT SIDE ARM ASSY	2
1.1	R10490	CAT.3 - QD LOWER LINK	1
1.2	522-01-00-021	TOP LINK SLEEVE	2
1.3	624-03-01-003	LIFT ARM TUBE-LONG	1
1.4	624-03-01-004	LIFT ARM TUBE-SHORT	1
1.5	624-03-01-005	LIFT ARM PIVOT PLATE	2
1.6	624-03-01-006	LIFT ARM SUPPORT GUSSET	2
1.7	624-03-01-008	Q.D. BACK PLATE	1
1.8	624-03-01-007	REINFORCING SUPPORT PLATE	2
2	624-03-00-009	LIFT ARM CROSS TUBE	1
3	624-03-00-010	LIFT ARM CROSS GUSSET	2

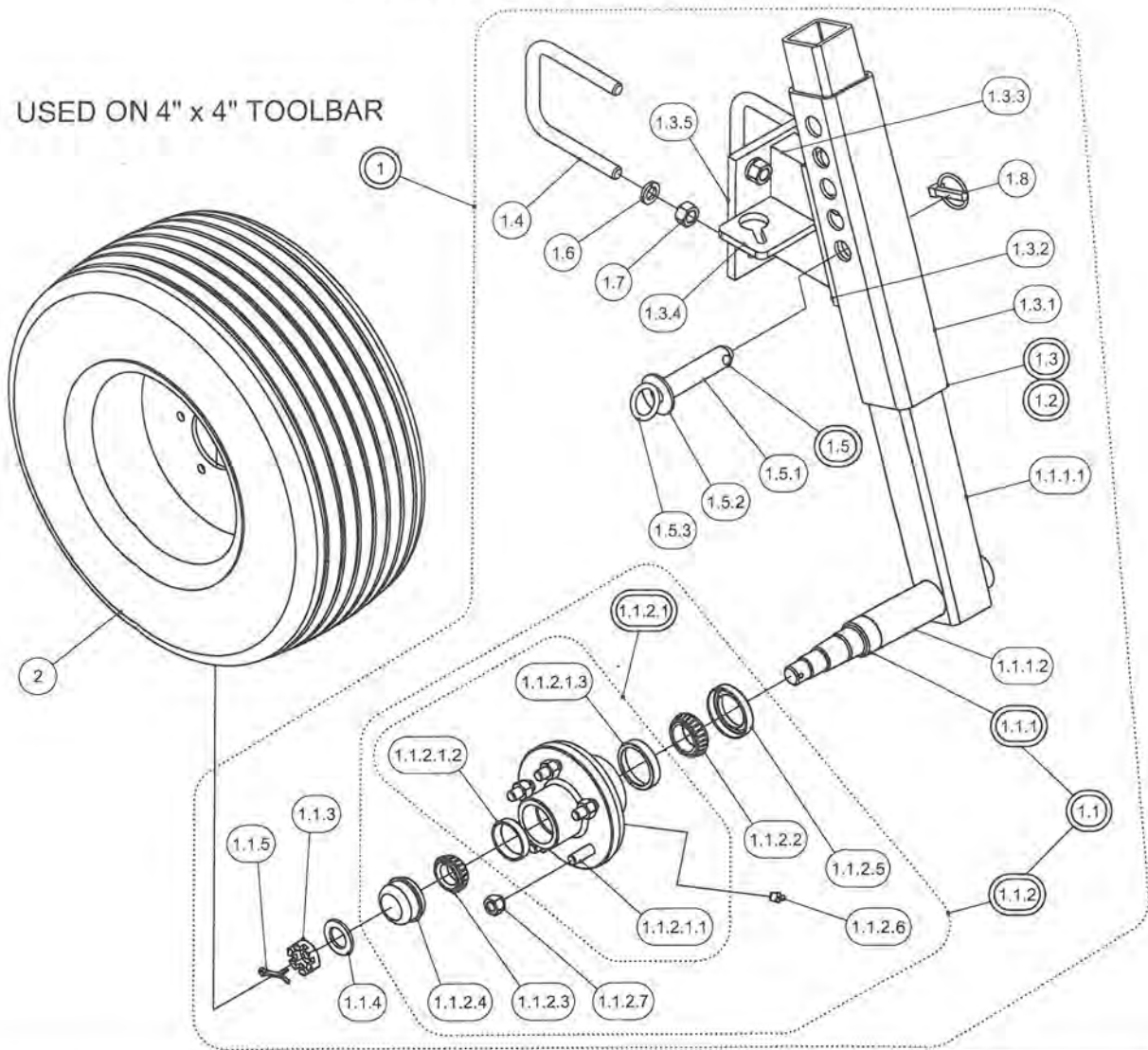
PRESSURE REDUCING HYD KIT



PARTS LIST			
ITEM	PART NUMBER	DESCRIPTION	QTY
1	R22727	PRESSURE REDUCING MANIFOLD	1
2	R21250	2 1/2" SS PRESSURE GAUGE 2000 PSI	1
3	620-01-13-000	MANIFOLD TO CYL HOSE ASSY-LONG	1
4	620-01-14-000	MANIFOLD TO CYL HOSE ASSY-LONG	1
5	620-01-12-000	MANIFOLD TO CYL HOSE ASSY-SHORT	1
6	620-01-15-000	MANIFOLD TO CYL HOSE ASSY-SHORT	1
7	620-01-11-000	TRACTOR TO MANIFOLD HOSE ASSY-1/2"	2
8	R23091	ORB-8 X 3/8" JIC M ADAPTOR	8
9	R23182	MALE PIONEER TIP-ORB-10	2
10	R23095	ORB-10 x 1/2" JIC M ADAPTOR	4

WHEEL DEPTH KIT 4 x 4 TUBE

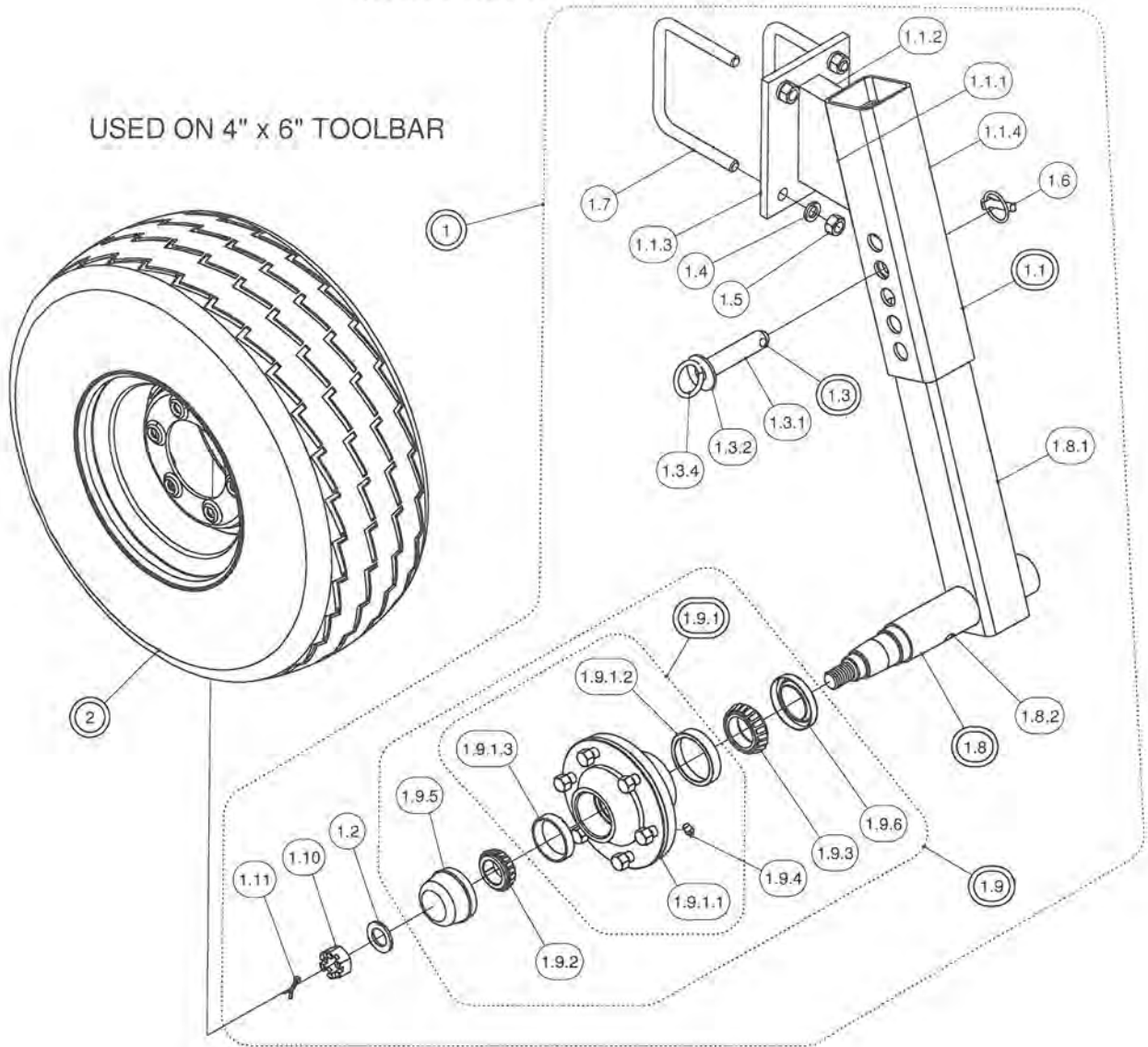
USED ON 4" x 4" TOOLBAR



PARTS LIST				PARTS LIST			
ITEM	PART NUMBER	DESCRIPTION	QTY	ITEM	PART NUMBER	DESCRIPTION	QTY
1	308-85-00-000	ADJUSTABLE WHEEL BRKT KIT	1	1.1.5	R08011	3/16 x 1 1/2 COTTER PIN	1
1.1	308-85-05-000	SPINDLE TUBE ASSY w/ HUB	2	1.2	308-85-01-000	RH CLAMP BRKT ASSY (NOT SHOWN IN DWG)	1
1.1.1	308-85-02-000	SPINDLE TUBE ASSY	1	1.3	308-85-04-000	LH CLAMP BRKT ASSY	1
1.1.1.1	308-85-02-244	SPINDLE TUBE	1	1.3.1	308-85-01-243	STATIONARY ADJUSTMENT TUBE	1
1.1.1.2	R22085	1750 SPINDLE 1 3/4 x 12"	1	1.3.2	308-85-01-242	SUPPORT PLATE	1
1.1.2	301-01-00-000	1750 5 BOLT HUB COMPLETE	1	1.3.3	308-85-01-241	EXTENSION BARS	1
1.1.2.1	R22099	5 BOLT HUB w/ CUPS & P.I. BOLTS	1	1.3.4	308-85-01-251	CHAIN LOCK BRKT	1
1.1.2.1.1	R22101	1/2 - 20 UNF x 2 1/4" WHEEL BOLT	5	1.3.5	308-85-01-240	BACK PLATE	1
1.1.2.1.2	R20132	OUTER CUP L44610	1	1.4	R08181	5/8 - 18 UNF U-BOLT x 6" LONG	4
1.1.2.1.3	R22080	INNER CUP L6811	1	1.5	308-85-03-000	PIN ASSY	2
1.1.2.2	R22081	INNER CONE - L68149	1	1.5.1	308-85-03-245	PIN	1
1.1.2.3	R22082	OUTER CONE - L44649	1	1.5.2	R07827	3/4" FLAT WASHER	1
1.1.2.4	R22083	D-1000 DUST CAP	1	1.5.3	R07925	1/4 x 1 1/2 PLATED RING	1
1.1.2.5	R22084	CR-17415 SEAL	1	1.6	R07806	5/8 LOCK WASHER	8
1.1.2.6	R08186	1/8" NPT GREASE FTG	1	1.7	R07816	5/8" UNF HEX NUT	8
1.1.2.7	R22100	1/2 - 20 UNF CONE WHEEL NUT	5	1.8	R08040	2 - 18 LYNCH PIN	2
1.1.3	R20136	SPINDLE NUT	1	2	308-84-00-000	20.5/8.0 TIRE & WHEEL ASSY	2
1.1.4	R20154	SPINDLE WASHER	1				

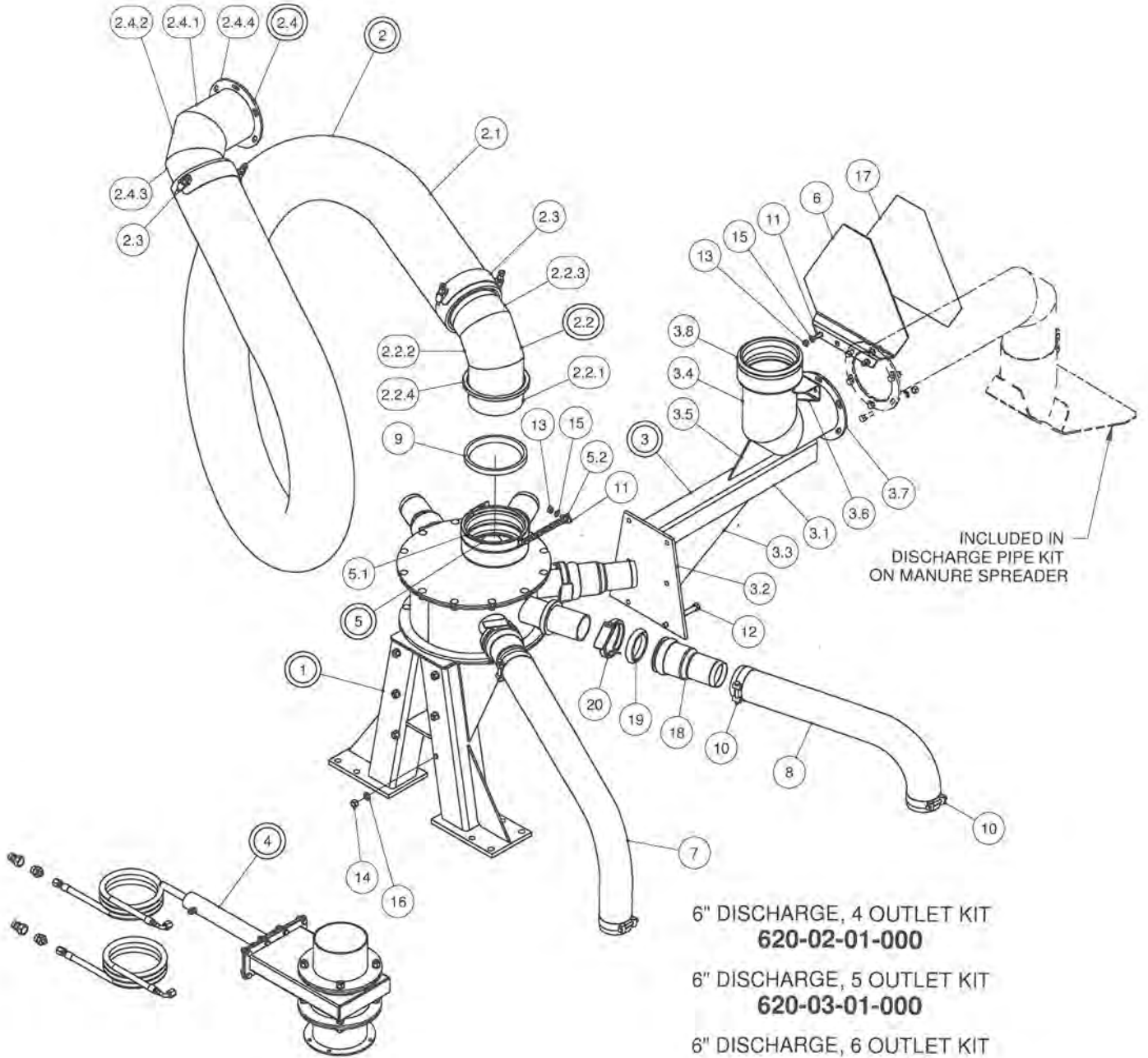
WHEEL DEPTH KIT - 4 x 6 TUBE

USED ON 4" x 6" TOOLBAR



PARTS LIST				PARTS LIST			
ITEM	PART NUMBER	DESCRIPTION	QTY	ITEM	PART NUMBER	DESCRIPTION	QTY
1	620-02-05-000	XHD WHEEL KIT - 4"x6" TUBE	1	1.8.1	620-02-06-023	XHD SPINDLE TUBE	1
1.1	620-02-08-000	XHD CLAMP BRKT ASSY - 4"x6" TUBE	1	1.8.2	490-16-00-082	LOWER SPINDLE	1
1.1.1	308-85-01-242	SUPPORT PLATE	1	1.9	290-59-00-000	5000LB - 6 BOLT HUB ASSY	1
1.1.2	308-85-01-241	EXTENSION BARS	1	1.9.1	R22055	5000LB HUB w/ CUPS	1
1.1.3	620-02-03-015	BACK PLATE	1	1.9.1.1	R22054	5000LB HUB - 6 BOLT	1
1.1.4	620-02-07-025	XHD SOLID ADJUSTMENT TUBE	1	1.9.1.2	R22058	INNER CUP LM603011	1
1.2	R20154	SPINDLE WASHER	1	1.9.1.3	R22060	OUTER CUP LM48510	1
1.3	308-85-03-000	PIN ASSY	1	1.9.2	R22061	OUTER CONE LM48548	1
1.3.1	308-85-03-245	PIN	1	1.9.3	R22059	INNER CONE LM603049	1
1.3.2	R07827	3/4" FLAT WASHER	1	1.9.4	R08186	1/8" NPT GREASE FTG	1
1.3.4	250-00-00-354	1/4 X 1 1/2" RING	1	1.9.5	R22062	DUST CAP	1
1.4	R07806	5/8" LOCK WASHER	4	1.9.6	R22063	SEAL CR2004	1
1.5	R07816	5/8-18 UNF HEX NUT	4	1.9.7	R20110	9/16 UNF WHEEL BOLT	6
1.6	R08040	2 - 18 LYNCH PIN	1	1.10	R20117	SPINDLE NUT	1
1.7	R08453	5/8 - 18 UNF x 6" ID x 5.375 U BOLT	2	1.11	R08015	3/16 x 2 COTTER PIN	1
1.8	620-02-06-000	XHD SPINDLE AND SLEEVE ASSY	1	2	620-19-00-000	25.5/8.0 TIRE & WHEEL ASSY	1

6" DISTRIBUTOR



6" DISCHARGE, 4 OUTLET KIT
620-02-01-000

6" DISCHARGE, 5 OUTLET KIT
620-03-01-000

6" DISCHARGE, 6 OUTLET KIT
620-04-01-000

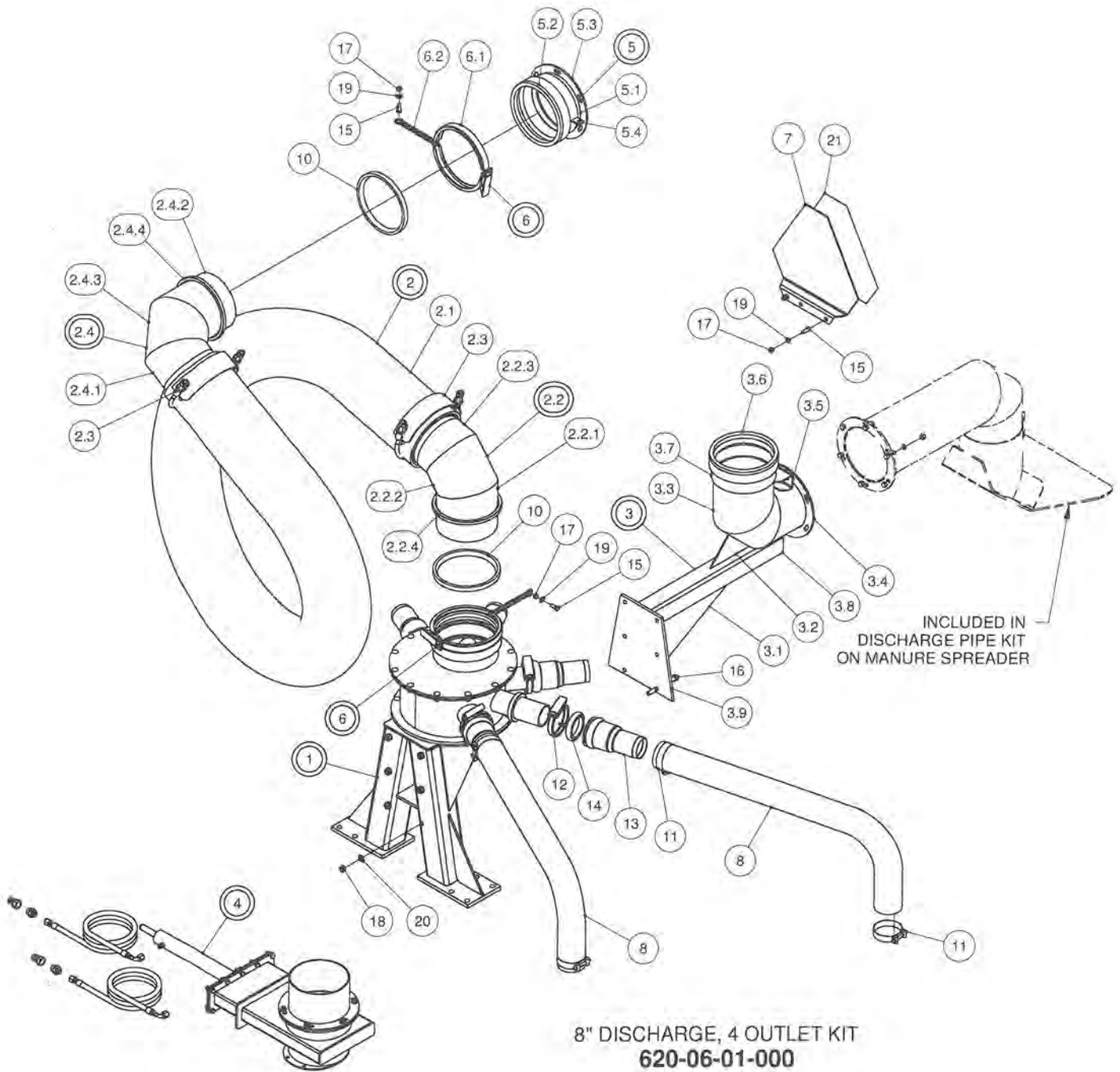
6" DISCHARGE, 7 OUTLET KIT
620-05-01-000

6" DISTRIBUTOR

PARTS LIST				PARTS LIST			
ITEM	PART NUMBER	DESCRIPTION	QTY	ITEM	PART NUMBER	DESCRIPTION	QTY
1	620-11-00-000	4 OUTLET CANNISTER KIT-6"	1	3.6	308-77-00-226	S.M.V. SIGN HOLDER	1
1	620-12-00-000	5 OUTLET CANNISTER KIT-6"	1	3.7	364-19-00-087	DISCHARGE PIPE FLANGE	1
1	620-13-00-000	6 OUTLET CANNISTER KIT-6"	1	3.8	200-58-00-242	6" COUPLING BASE TUBE	1
1	620-14-00-000	7 OUTLET CANNISTER KIT-6"	1	4	308-46-00-000	6" VALVE W/ INDICATOR ROD KIT	1
2	620-02-09-000	6" DISCHARGE HOSE KIT W/ELBOWS	1	5	250-97-00-000	CLAMP & CHAIN ASSY	1
2.1	308-00-00-150	6" DISCHARGE HOSE	1	5.1	R02487	6" RING LOCK CLAMP	1
2.2	308-60-00-000	6" ELBOW AND RING ASSY	1	5.2	250-97-00-297	CLAMP CHAIN	1
2.2.1	308-60-00-172	ELBOW BASE PC	1	6	200-00-00-132	S.M.V. SIGN HOLDER	1
2.2.2	308-60-00-173	ELBOW MIDDLE PC	1	7	308-00-00-148	LONG INJECTOR HOSE	3 or 4
2.2.3	308-60-00-174	BARBED ELBOW END	1	8	308-00-00-149	SHORT INJECTOR HOSE	2 or 3
2.2.4	250-95-00-295	CLAMP RING	1	9	R02366	6" RUBBER GASKET	2
2.3	R02843	6" SPIRAL CLAMP	2	10	R02480	3" BAUER SUPER CLAMP	10**
2.4	308-61-00-000	6" TOP ELBOW AND FLANGE ASSY	1	11	R07619	3/8 x 1 UNC HEX BOLT	3
2.4.1	308-60-00-172	ELBOW BASE PC	1	12	R07644	1/2 x 5 HEX BOLT	6
2.4.2	308-60-00-173	ELBOW MIDDLE PC	1	13	R07783	3/8-16 UNC HEX NUT	3
2.4.3	308-60-00-174	BARBED ELBOW END	1	14	R07785	1/2 HEX NUT	6
2.4.4	364-19-00-087	DISCHARGE PIPE FLANGE	1	15	R07803	3/8" LOCK WASHER	3
3	308-77-00-000	6" DISCHARGE EXT. TUBE ASSY	1	16	R07805	1/2 LOCK WASHER	6
3.1	308-77-00-224	SUPPORT TUBE	1	17	R09501	SLOW MOVING VEHICLE DECAL	1
3.2	308-62-02-184	BACK PLATE BRKT	1	18	R02877	3" FEMALE CIRLOC STD COUPLING	5*
3.3	308-54-00-155	SUPPORT TUBE GUSSET	1	19	R02880	3" CL GASKET	5*
3.4	308-77-00-225	DISCHARGE PIPE	1	20	R02875	3" RING LOCK CLAMP	5*
3.5	308-77-00-227	GUSSET	1				

* QTY FOR 4 OUTLET = 4 PCS
 QTY FOR 5 OUTLET = 5 PCS
 QTY FOR 6 OUTLET = 6 PCS
 QTY FOR 7 OUTLET = 7 PCS
 ** QTY FOR 4 OUTLET = 8 PCS
 QTY FOR 5 OUTLET = 10 PCS
 QTY FOR 6 OUTLET = 12 PCS
 QTY FOR 7 OUTLET = 14 PCS

8" DISTRIBUTOR



INCLUDED IN
DISCHARGE PIPE KIT
ON MANURE SPREADER

8" DISCHARGE, 4 OUTLET KIT
620-06-01-000

8" DISCHARGE, 5 OUTLET KIT
620-07-01-000

8" DISCHARGE, 6 OUTLET KIT
620-08-01-000

8" DISCHARGE, 7 OUTLET KIT
620-09-01-000

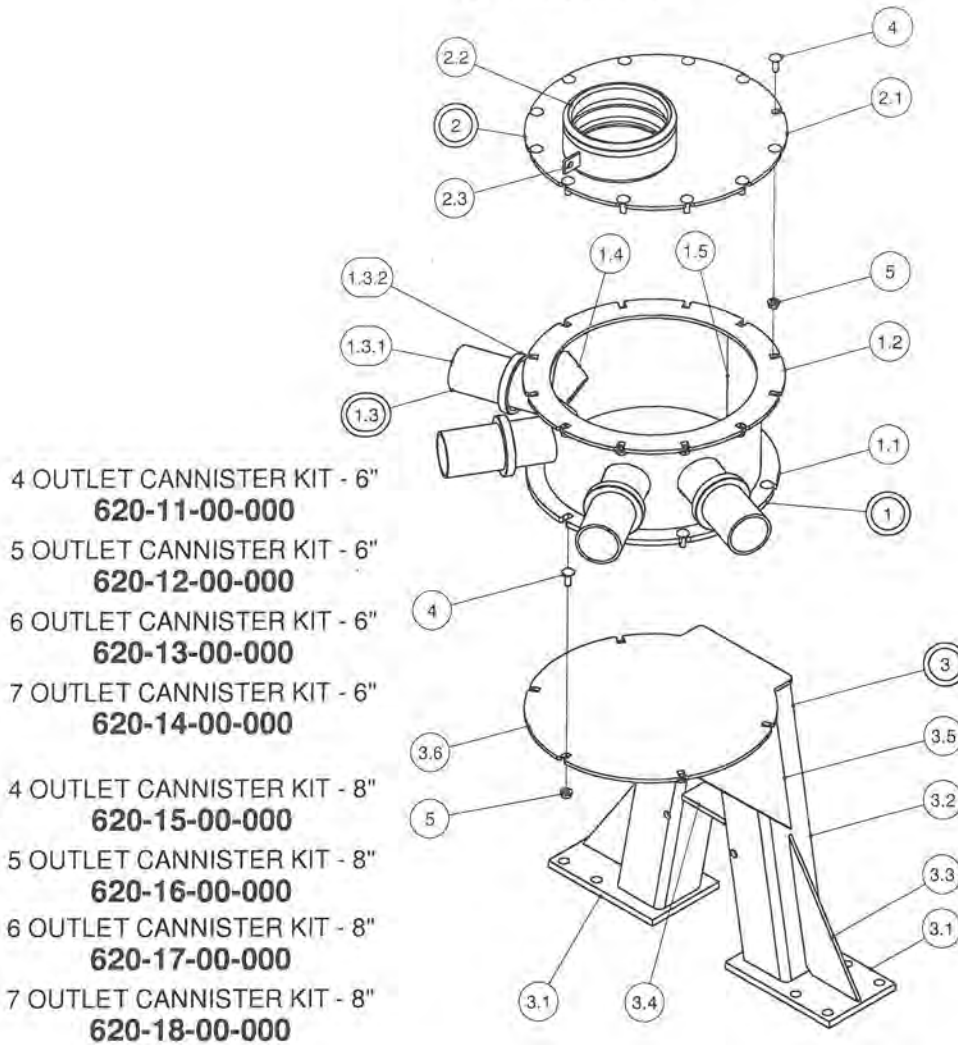
8" DISTRIBUTOR

PARTS LIST				PARTS LIST			
ITEM	PART NUMBER	DESCRIPTION	QTY	ITEM	PART NUMBER	DESCRIPTION	QTY
1	620-15-00-000	4 OUTLET CANNISTER KIT-8"	1	3.9	308-62-02-184	BACK PLATE BRKT	1
1	620-16-00-000	5 OUTLET CANNISTER KIT-8"	1	4	308-86-00-000	8" VALVE KIT w/ INDICATOR ROD & HYD HOSES	1
1	620-17-00-000	6 OUTLET CANNISTER KIT-8"	1				
1	620-18-00-000	7 OUTLET CANNISTER KIT-8"	1	5	308-65-00-000	8" COUPLING BASE ASSY-TOP DISCH PIPE	1
2	620-06-02-000	8" DISCHARGE HOSE KIT w/ELBOWS	1				
2.1	308-00-00-196	8" DISCHARGE HOSE	1	5.1	308-65-00-191	8" EXTENSION-TOP DISCHARGE	1
2.2	308-67-00-000	8" COUPLING ELBOW ASSY-BOTTOM	1	5.2	244-07-01-306	COUPLING BASE	1
2.2.1	308-67-00-195-A	BOTTOM COUPLING ELBOW PC	1	5.3	358-92-02-306	8" DISCHARGE FLANGE	1
2.2.2	308-67-00-195-B	BOTTOM COUPLING ELBOW PC	1	5.4	250-96-00-298	CHAIN LUG	1
2.2.3	308-67-00-194	BARBED ELBOW END	1	6	244-09-00-000	8" CLAMP & CHAIN ASSY	2
2.2.4	244-08-00-307	CLAMP RING	1	6.1	R02488	8" RINGLOCK CLAMP	1
2.3	R02844	8" SPIRAL CLAMP	2	6.2	250-97-00-297	CLAMP CHAIN	1
2.4	308-66-00-000	8" COUPLING ELBOW ASSY-TOP	1	7	200-00-00-132	S.M.V. SIGN HOLDER	1
2.4.1	308-66-00-192	8" BARBED ELBOW END	1	8	308-00-00-148	LONG INJECTOR HOSE	3 or 4
2.4.2	308-66-00-193-A	TOP COUPLING ELBOW PC	1	9	308-00-00-149	SHORT INJECTOR HOSE	2 or 3
2.4.3	308-66-00-193-B	TOP COUPLING ELBOW PC	1	10	R02360	8" SQ HUSKY GASKET	.3
2.4.4	244-08-00-307	CLAMP RING	1	11	R02480	3" BAUER SUPER CLAMP	10**
3	308-82-00-000	8" DISCHARGE EXT. TUBE ASSY	1	12	R02875	3" RING LOCK CLAMP	5*
3.1	308-54-00-155	SUPPORT TUBE GUSSET	1	13	R02877	3" FEMALE CIRLOC STD COUPLING	5*
3.2	308-77-00-227	GUSSET	1	14	R02880	3" CL GASKET	5*
3.3	308-82-00-230	DISCHARGE PIPE	1	15	R07619	3/8 x 1 UNC HEX BOLT	4
3.4	358-92-02-306	8" DISCHARGE FLANGE	1	16	R07644	1/2 x 5 HEX BOLT	6
3.5	308-82-00-231	SMV SIGN HOLDER-8" PIPE	1	17	R07783	3/8-16 UNC HEX NUT	4
3.6	244-07-01-306	COUPLING BASE	1	18	R07785	1/2 HEX NUT	6
3.7	308-63-01-189	8" EXTENSION PIPE	1	19	R07803	3/8" LOCK WASHER	4
3.8	308-77-00-224	SUPPORT TUBE	1	20	R07805	1/2 LOCK WASHER	6
				21	R09501	SLOW MOVING VEHICLE DECAL	1

* QTY FOR 4 OUTLET = 4 PCS
 QTY FOR 5 OUTLET = 5 PCS
 QTY FOR 6 OUTLET = 6 PCS
 QTY FOR 7 OUTLET = 7 PCS

** QTY FOR 4 OUTLET = 8 PCS
 QTY FOR 5 OUTLET = 10 PCS
 QTY FOR 6 OUTLET = 12 PCS
 QTY FOR 7 OUTLET = 14 PCS

CANNISTER KIT



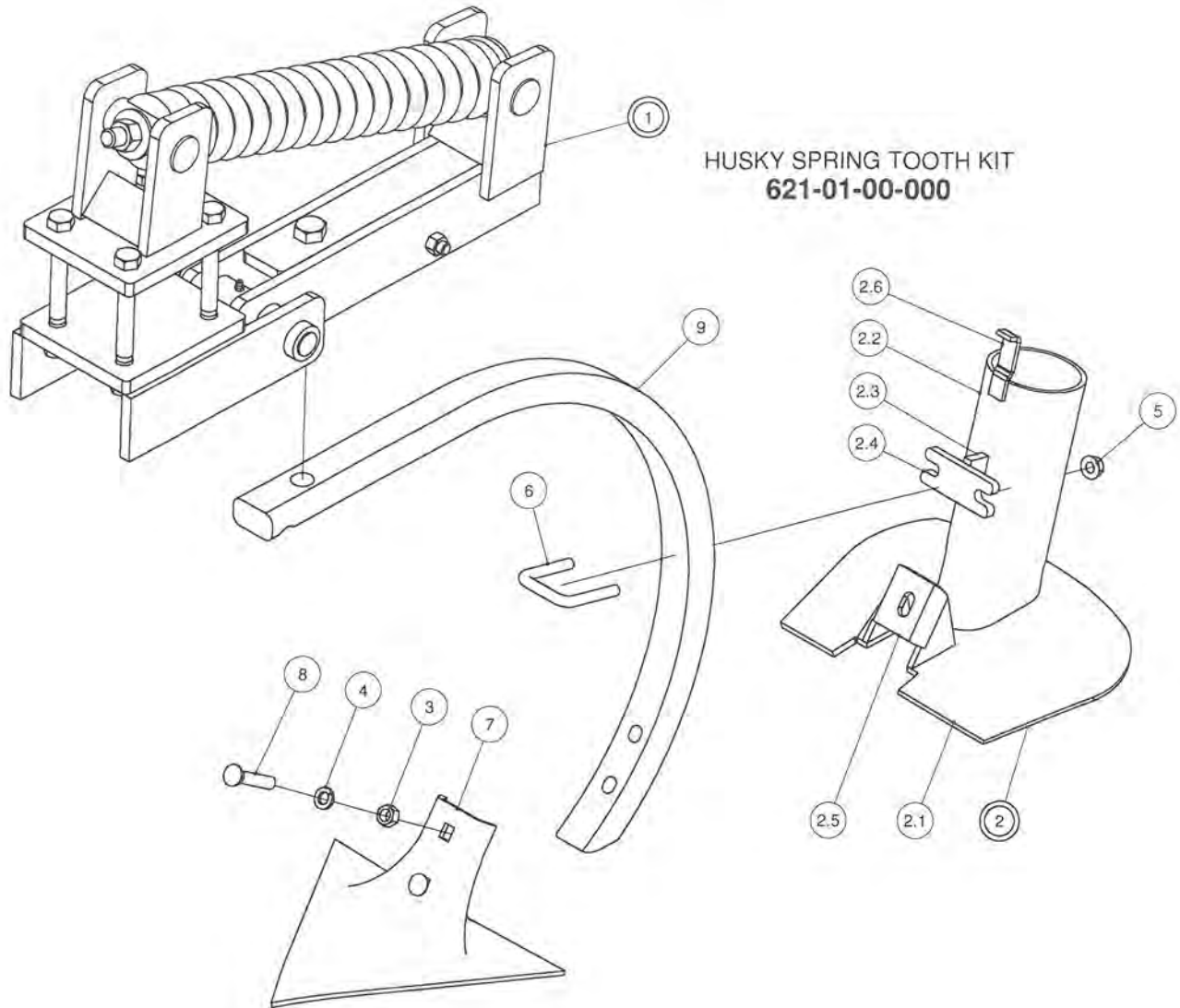
- 4 OUTLET CANNISTER KIT - 6"
620-11-00-000
- 5 OUTLET CANNISTER KIT - 6"
620-12-00-000
- 6 OUTLET CANNISTER KIT - 6"
620-13-00-000
- 7 OUTLET CANNISTER KIT - 6"
620-14-00-000
- 4 OUTLET CANNISTER KIT - 8"
620-15-00-000
- 5 OUTLET CANNISTER KIT - 8"
620-16-00-000
- 6 OUTLET CANNISTER KIT - 8"
620-17-00-000
- 7 OUTLET CANNISTER KIT - 8"
620-18-00-000

PARTS LIST				PARTS LIST			
ITEM	PART NUMBER	DESCRIPTION	QTY	ITEM	PART NUMBER	DESCRIPTION	QTY
1	620-11-01-000	4 OUTLET CANNISTER ASSY	1	2.1	308-62-03-176	TOP COVER - 6"	1
	620-12-01-000	5 OUTLET CANNISTER ASSY	1		308-63-03-188	TOP COVER - 8"	1
	620-13-01-000	6 OUTLET CANNISTER ASSY	1	2.2	200-58-00-242	6" COUPLING BASE TUBE	1
	620-14-01-000	7 OUTLET CANNISTER ASSY	1		244-07-01-306	8" COUPLING BASE TUBE	1
1.1	308-62-01-177	CANNISTER BOTTOM	1		308-63-01-189		
1.2	308-62-01-197	FLANGE	1	2.3	250-96-00-298	CHAIN LUG	1
1.3	620-12-02-000	OUTLET TUBE & RING ASSY	4*	3	308-62-02-000	DOUBLE LEG STAND	1
1.3.1	620-12-02-034	CANNISTER OUTLET TUBE	1	3.1	308-62-02-185	UPPER CLAMP PLATE	2
1.3.2	620-12-02-035	3" CLAMP RING	1	3.2	308-62-02-183	CANNISTER LEG	2
1.4	620-12-01-037	CANNISTER TUBE COVER	4*	3.3	308-62-02-187	GUSSET	2
1.5	620-11-01-038	4 OUTLET CANNISTER	1	3.4	308-62-02-200	BRACE PLATE	1
	620-12-01-036	5 OUTLET CANNISTER	1	3.5	308-62-02-208	GUSSET	2
	620-13-01-039	6 OUTLET CANNISTER	1	3.6	308-62-02-207	LEG STAND TOP PC	1
	620-14-01-040	7 OUTLET CANNISTER	1	4	R07721	3/8 x 1 UNC CARRIAGE BOLT	17
2	308-62-03-000	6" INLET ASSY	1	5	R07794	3/8-16 UNC FLANGE NUT	17
	308-63-03-000	8" INLET ASSY	1				

* QTY FOR 4 OUTLET - 4 PCS
 QTY FOR 5 OUTLET - 5 PCS
 QTY FOR 6 OUTLET - 6 PCS
 QTY FOR 7 OUTLET - 7 PCS

This Page is Intentionally Left Blank

HUSKY SPRING TOOTH KIT

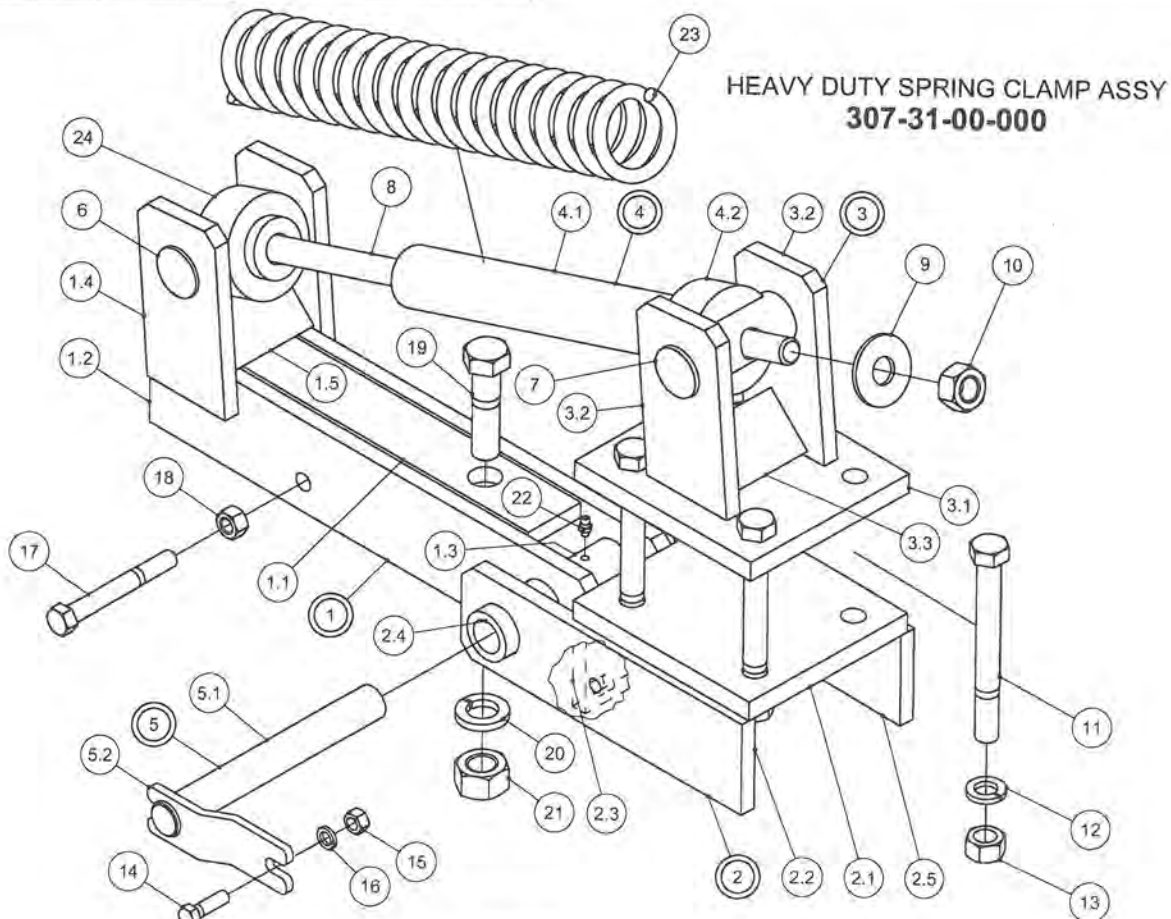


PARTS LIST

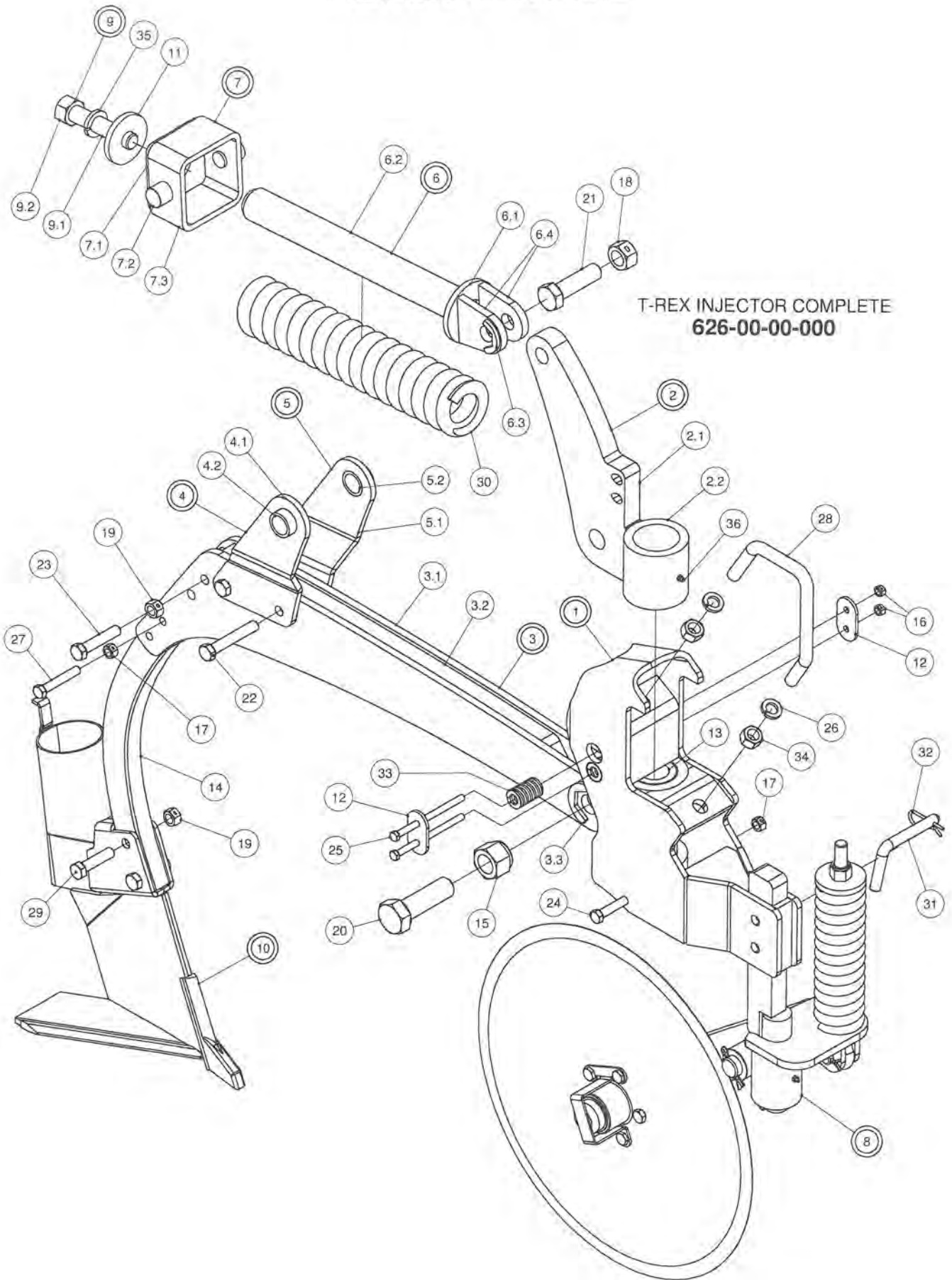
ITEM	PART NUMBER	DESCRIPTION	QTY
1	307-31-00-000	H.D. SPRING CLAMP ASSY	1
2	308-83-00-000	SWEEP COVER UP ASSY	1
2.1	308-83-00-234	SWEEP COVER UP	1
2.2	308-83-00-235	HOSE TUBE	1
2.3	308-83-00-236	LUG	1
2.4	308-83-00-237	BOLT PLATE	1
2.5	308-83-00-238	TOOTH CONNECTOR PLATE	1
2.6	626-10-00-045	HOSE CLAMP CLIP	1
3	R07785	1/2 HEX NUT	2
4	R07805	1/2 LOCK WASHER	2
5	R07879	7/16-14 UNC FLANGE NUT	2
6	R08214	7/16"-14UNC X 2 1/8"ID X 2 3/4" LONG LEGS	1
7	R09553	12" CHISEL SWEEP	1
8	R09561	1/2 -13 UNC x 2 1/2" PLOW BOLT	2
9	R09563	1 1/4 x 2 SPRING TOOTH	1

HEAVY DUTY SPRING CLAMP

PARTS LIST				PARTS LIST			
ITEM	PART NUMBER	DESCRIPTION	QTY	ITEM	PART NUMBER	DESCRIPTION	QTY
1	307-31-10-000	LOWER BRKT ASSY	1	5.2	307-31-31-133	PIVOT SHAFT BRKT	1
1.1	307-31-10-075	LOWER BRKT SPACER BAR	1	6	307-31-00-083	LOWER CROSS PIN	1
1.2	307-31-10-073	LOWER BRKT	2	7	307-31-00-082	UPPER CROSS PIN	1
1.3	307-31-10-074	INNER BUSHING	1	8	307-31-00-080	SPRING SHAFT	1
1.4	307-31-10-076	SPRING PIN BRKT	2	9	R07827	3/4" FLAT WASHER	1
1.5	307-31-10-077	ANGLE SUPPORT	1	10	R07881	3/4 - 2 WAY LOCK NUT	1
2	307-31-09-000	MAIN BRKT ASSY	1	11	R07853	5/8 x 6 HEX BOLT	4
2.1	307-31-09-070	BOLT PLATE	1	12	R07806	5/8 LOCK WASHER	4
2.2	307-31-09-134	MAIN BRKT w/ HOLE	1	13	R07786	5/8 HEX NUT	4
2.3	307-31-09-071	SPACER BAR	1	14	R07675	3/8 x 1 1/4" HEX BOLT	1
2.4	307-31-09-072	OUTER BUSHING	2	15	R07783	3/8 HEX NUT	1
2.5	307-31-09-069	MAIN BRKT	1	16	R07803	3/8 LOCK WASHER	1
3	307-31-11-000	BOLT PLATE ASSY	1	17	R07643	1/2 x 4 HEX BOLT	1
3.1	307-31-09-070	BOLT PLATE	1	18	R07885	1/2 - 2 WAY LOCK NUT	1
3.2	307-31-10-076	SPRING PIN BRKT	2	19	R07691	7/8 x 3 HEX BOLT	1
3.3	307-31-10-077	ANGLE SUPPORT	1	20	R07809	7/8" LOCK WASHER	1
4	307-31-12-000	SHAFT GUIDE ASSY	1	21	R07789	7/8" HEX NUT	1
4.1	307-31-12-079	SPRING SHAFT GUIDE	1	22	R08183	1/4" - 28 STRAIGHT GREASE FITTING	1
4.2	307-31-12-078	SPRING HOLDER BLOCK	1	23	R08029	SPRING	1
5	307-31-31-000	PIVOT SHAFT ASSY	1	24	307-31-12-078	SPRING HOLDER BLOCK	1
5.1	307-31-31-132	PIVOT SHAFT	1				



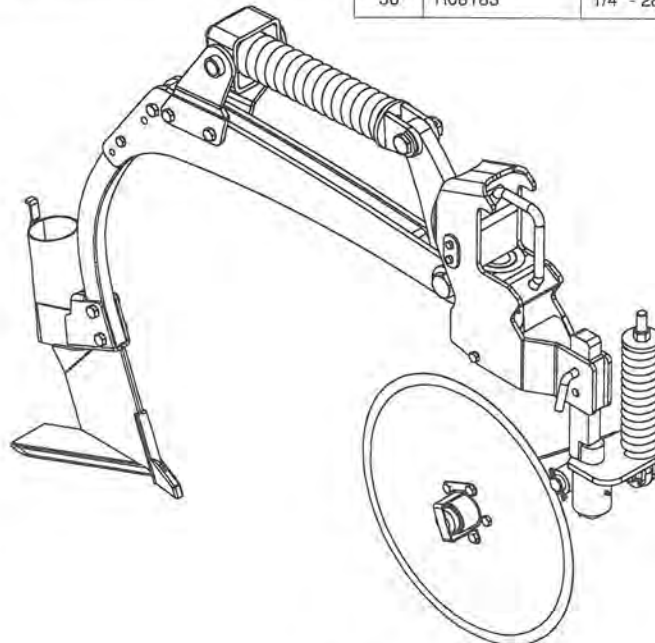
T-REX INJECTOR COMPLETE



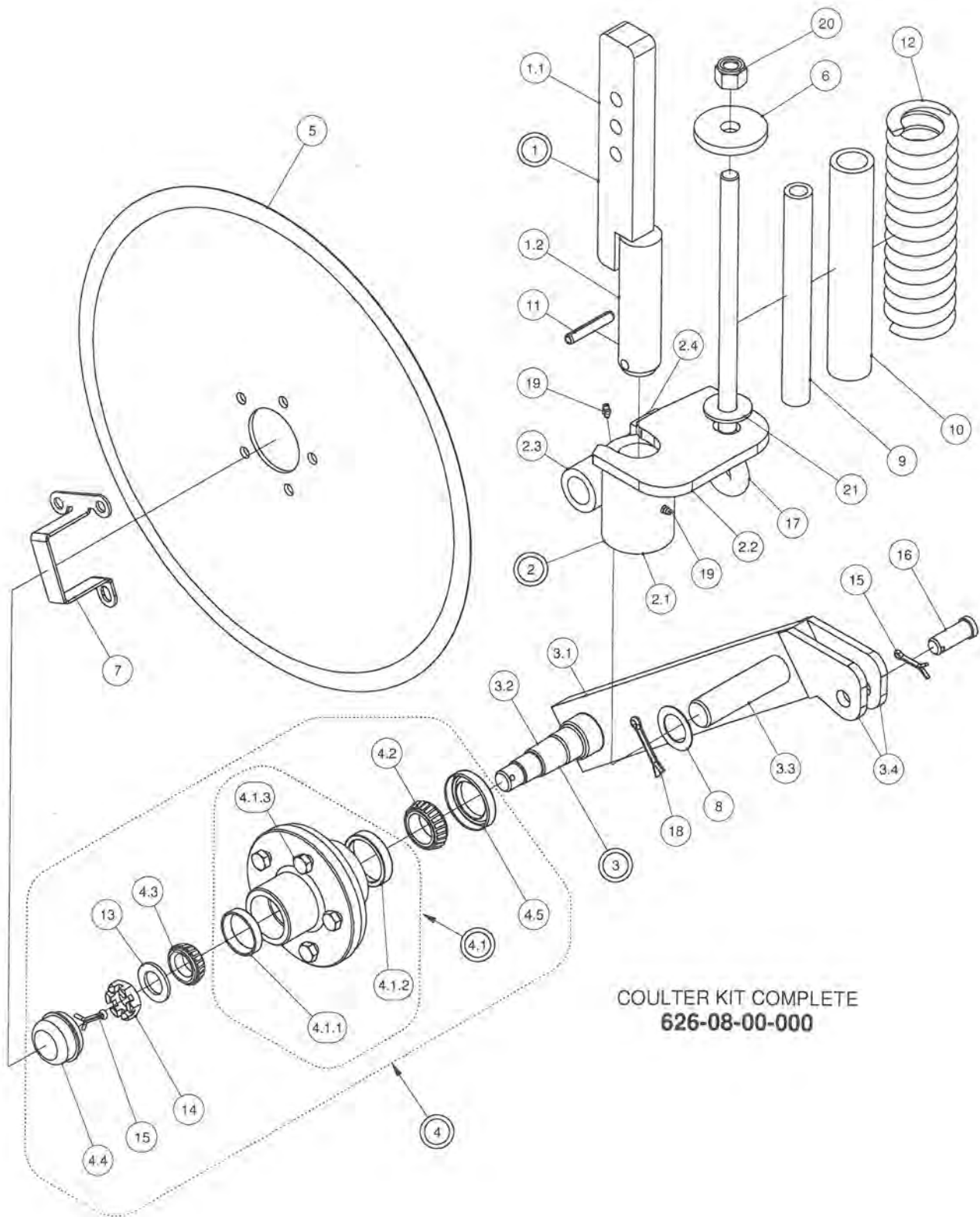
T-REX INJECTOR COMPLETE
626-00-00-000

T-REX INJECTOR COMPLETE

PARTS LIST				PARTS LIST			
ITEM	PART NUMBER	DESCRIPTION	QTY	ITEM	PART NUMBER	DESCRIPTION	QTY
1	626-01-00-000	MAIN FRAME ASSY	1	10	626-10-00-000	12" SWEEP COMPLETE	1
2	626-02-00-000	MAIN PIVOT ASSY	1	11	626-00-00-034	SPRING PLATE-REAR	1
2.1	626-02-00-009	PIVOT LUG	1	12	626-00-00-035	SPRING RETENTION PLATE	2
2.2	626-02-00-010	PIVOT TUBE	1	13	626-00-00-037	MAIN PIVOT PIN	1
3	626-03-00-000	SHANK EXTENSION ASSY	1	14	R09543	PARABOLIC SHANK	1
3.1	626-03-00-011	SHANK PIVOT SIDE PLATE	2	15	R07855	1 1/4 UNC NYLOCK NUT	1
3.2	626-03-00-012	SHANK PIVOT SPACER BAR	1	16	R07886	3/8-16 UNC 2-WAY LOCK NUT	2
3.3	626-03-00-013	ANTI-ROTATE PLATE 1-1/4"	1	17	R07885	1/2-13 UNC 2-WAY LOCK NUT	2
4	626-04-00-000	RH SPRING PIVOT ASSY	1	18	R07882	1-8 UNC 2-WAY LOCK NUT	1
4.1	626-04-00-014	RH SPRING MOUNT SIDE PLATE	1	19	R07887	5/8-11 UNC 2-WAY LOCK NUT	5
4.2	626-04-00-015	SPRING PIVOT SLEEVE	1	20	R08486	1 1/4 x 4 UNC HEX BOLT	1
5	626-05-00-000	LH SPRING PIVOT ASSY	1	21	R07664	1 x 3 1/2 UNC HEX BOLT	1
5.1	626-05-00-016	LH SPRING MOUNT SIDE PLATE	1	22	R08488	5/8 x 3 3/4 UNC HEX BOLT	2
5.2	626-04-00-015	SPRING PIVOT SLEEVE	1	23	R07649	5/8 x 3 UNC HEX BOLT	1
6	626-06-00-000	SPRING GUIDE ASSY	1	24	R08487	1/2 x 5 1/2 UNC HEX BOLT	1
6.1	626-06-00-018	SPRING STOP- FRONT	1	25	R08485	3/8 x 5 1/2 UNC HEX BOLT	2
6.2	626-06-00-019	SPRING GUIDE BAR	1	26	R07807	3/4" LOCK WASHER	2
6.3	626-06-00-020	ANTI-ROTATE PLATE 1"	1	27	R07641	1/2 x 3 UNC HEX BOLT	1
6.4	626-06-00-017	FRONT PIVOT SIDE PLATE	2	28	R08462	3/4" UNF SLANTED U-BOLT GR.8	1
7	626-07-00-000	PIVOT LUG ASSY	1	29	R07648	5/8 x 2 1/2 UNC HEX BOLT	2
7.1	626-07-00-021	PIVOT LUG PLATE	1	30	R08469	3 5/8" OD X 20" LONG COMP. SPRING	1
7.2	626-07-00-022	PIVOT PIN	2	31	R08147	5/8" X 3" BENT HITCH PIN	1
7.3	626-07-00-051	PIVOT TUBE	1	32	R07948	5/32 HAIR PIN	1
8	626-08-00-000	COULTER KIT COMPLETE	1	33	R08470	1 1/4" OD x 5/8" ID x 2" LONG COMP. SPRING	4
9	626-09-00-000	TENSION ROD ASSY	1				
9.1	626-09-00-030	SPRING TENSION ROD	1	34	R07817	3/4-16 UNF HEX NUT	2
9.2	R07788	1-8 UNC HEX NUT	1	35	R07808	1" LOCK WASHER	1
				36	R08183	1/4" - 28 STRAIGHT GREASE FITTING	1



T-REX COULTER KIT

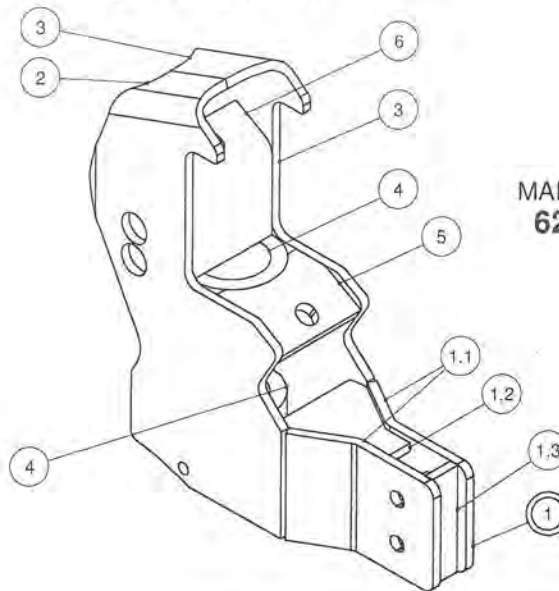


COULTER KIT COMPLETE
626-08-00-000

T-REX COULTER KIT

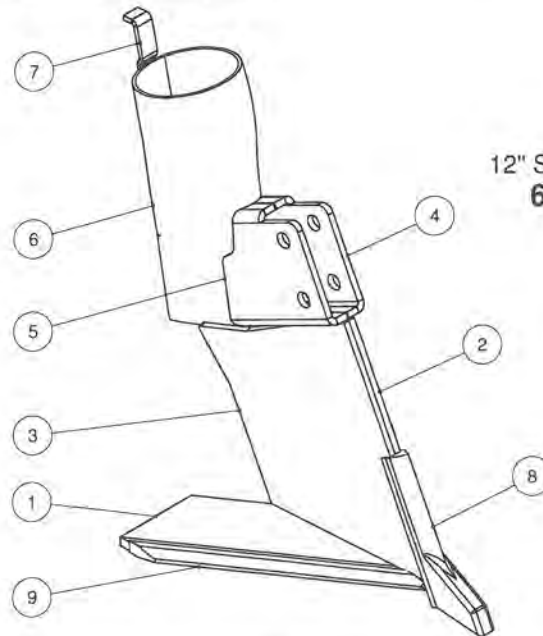
PARTS LIST			
ITEM	PART NUMBER	DESCRIPTION	QTY
1	626-08-01-000	COULTER ADJUSTMENT BAR ASSY	1
1.1	626-08-01-023	COULTER ADJUSTMENT ARM	1
1.2	626-08-01-024	COULTER PIVOT SHAFT	1
2	626-08-02-000	COULTER PIVOT ASSY	1
2.1	626-08-02-025	COULTER PIVOT TUBE	1
2.2	626-08-02-026	ROTATION STOP PLATE	1
2.3	626-08-02-027	COULTER ROTATE SLEEVE	1
2.4	626-08-02-048	GUSSET BAR	1
3	626-08-04-000	COULTER ARM ASSY	1
3.1	626-08-04-031	COULTER ARM	1
3.2	R22065	1750# SPINDLE 1 3/4" x 6 1/2"	1
3.3	626-08-04-028	PIVOT BAR	1
3.4	626-08-04-029	SIDE PIN PLATE	2
4	626-08-03-000	1750 5 BOLT HUB COMPLETE	1
4.1	R22079	1750# HUB 5BLT CUPS & TIB	1
4.1.1	R20132	OUTER CUP L44610	1
4.1.2	R22080	INNER CUP L6811	1
4.1.3	R08466	1/2 x 3/4 UNF HEX BOLT	5
4.2	R22081	INNER CONE - L68149	1
4.3	R22082	OUTER CONE - L44649	1
4.4	R22083	D-1000 DUST CAP	1
4.5	R22084	CR-17406 DL SEAL	1
5	626-08-00-032	22" PLAIN COULTER DISC - P22197G	1
6	626-08-00-033	COULTER SPRING CAP	1
7	626-08-00-046	DUST CAP PROTECTOR	1
8	626-08-00-047	PIVOT WASHER	1
9	626-08-00-049	COULTER RUBBER-INNER	1
10	626-08-00-050	COULTER RUBBER-OUTER	1
11	R07953	7/16 X 2 1/2" ROLL PIN	1
12	R08481	3" OD X 12" LONG COMPRESSION SPRING	1
13	R20154	SPINDLE WASHER	1
14	R20136	SPINDLE NUT	1
15	R08011	3/16 x 1 1/2 COTTER PIN	2
16	R08443	EYE BOLT PIN	1
17	R08467	3/4" X 15" EYE BOLT	1
18	R08205	1/4 x 2 S.S. COTTER PIN	1
19	R08183	1/4" - 28 STRAIGHT GREASE FITTING	2
20	R07878	3/4 UNC NYLOCK NUT	1
21	R07827	3/4" FLAT WASHER	1

T-REX MOUNT & SWEEP



**MAIN FRAME ASSY
626-01-00-000**

PARTS LIST				PARTS LIST			
ITEM	PART NUMBER	DESCRIPTION	QTY	ITEM	PART NUMBER	DESCRIPTION	QTY
1	626-01-01-000	COULTER CLAMP ASSY	1	3	626-01-00-002	LH SIDE FRAME PLATE	1
1.1	626-01-01-006	ADJUSTMENT PLATE	2	4	626-01-00-003	FRAME PIVOT TUBE	2
1.2	626-01-01-007	REINFORCING PLATE	2	5	626-01-00-004	LOWER CLAMP PLATE	1
1.3	626-01-01-008	COULTER BRKT CAP PLATE	1	6	626-01-00-005	UPPER CLAMP PLATE	1
2	626-01-00-001	RH SIDE FRAME PLATE	1				



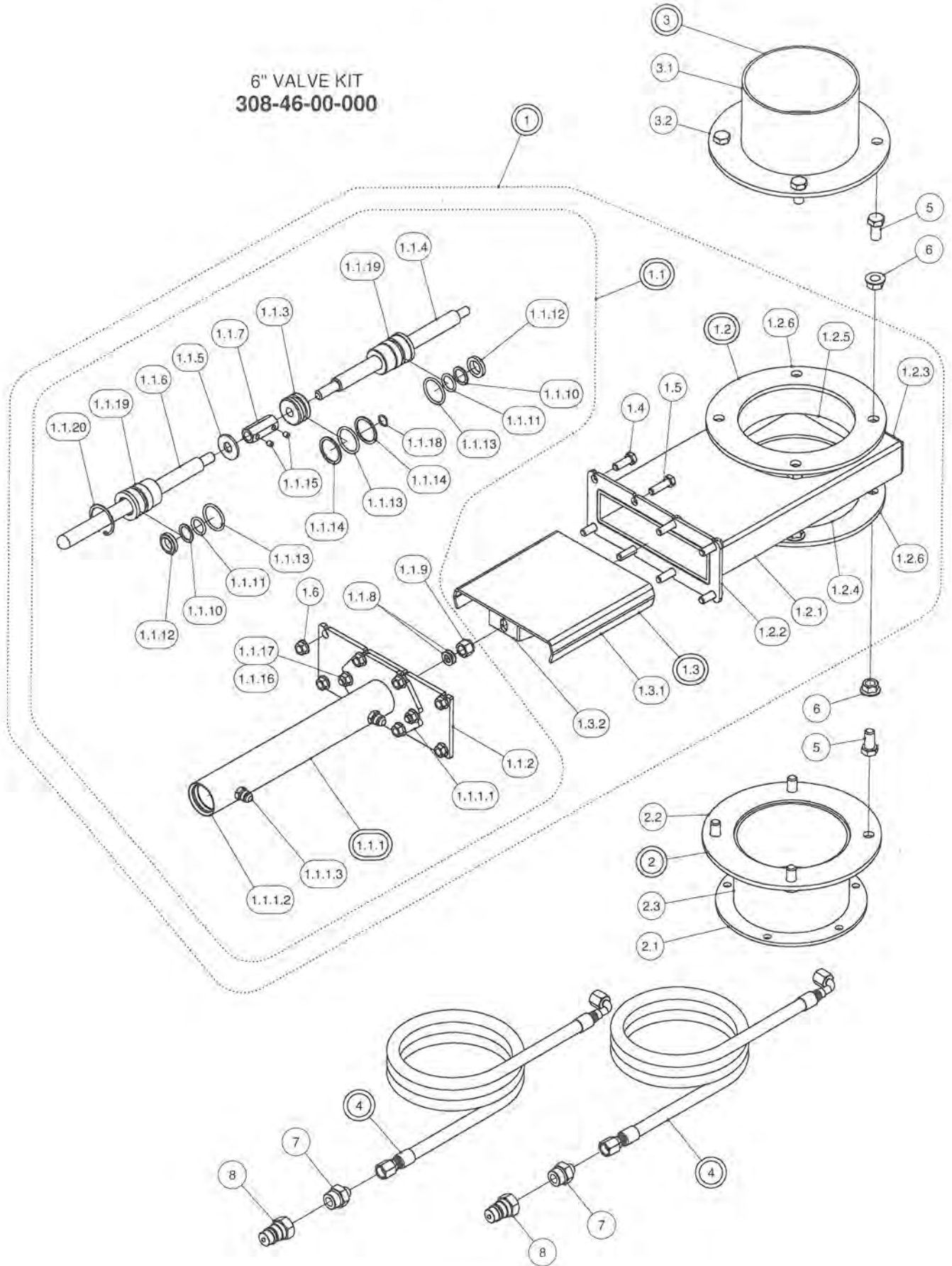
**12" SWEEP COMPLETE
626-10-00-000**

PARTS LIST				PARTS LIST			
ITEM	PART NUMBER	DESCRIPTION	QTY	ITEM	PART NUMBER	DESCRIPTION	QTY
1	626-10-00-040	12" SWEEP	1	6	626-10-00-042	HOISE TUBE	1
2	626-10-00-039	LOWER SIDE PLATE-LH	1	7	626-10-00-045	HOISE CLAMP CLIP	1
3	626-10-00-038	LOWER SIDE PLATE-RH	1	8	R09537	LEADING CAST POINT	1
4	626-10-00-043	TOP SIDE PLATE-LH	1	9	R09539	LEADING WEAR EDGE	2
5	626-10-00-044	TOP SIDE PLATE-RH	1				

This Page is Intentionally Left Blank

VALVE KIT - 6"

6" VALVE KIT
308-46-00-000

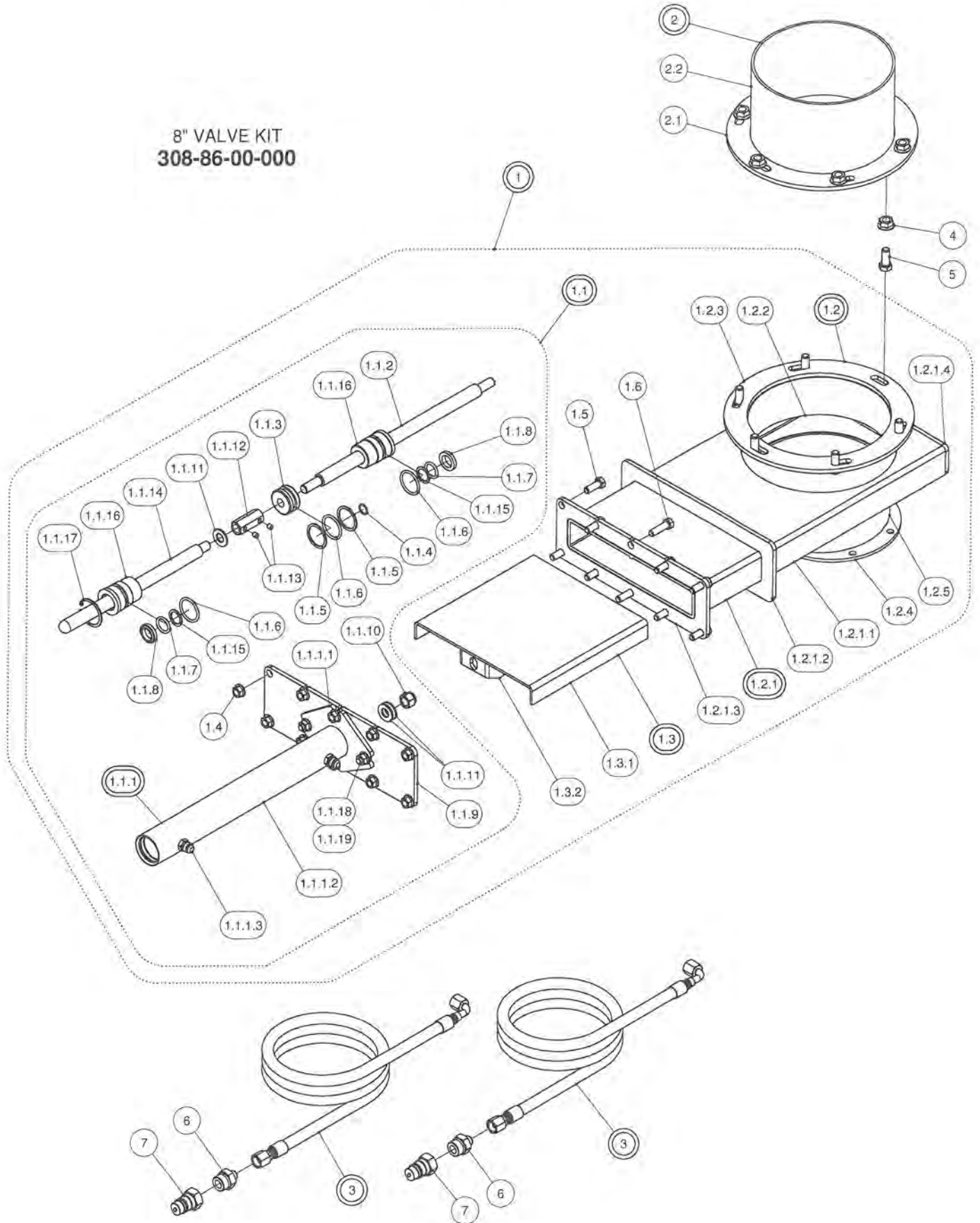


VALVE KIT - 6"

PARTS LIST				PARTS LIST			
ITEM	PART NUMBER	DESCRIPTION	QTY	ITEM	PART NUMBER	DESCRIPTION	QTY
1	308-49-00-000	VALVE w/ INDICATOR ROD ASSY	1	1.2	308-49-02-000	VALVE BODY ASSY	1
1.1	308-49-03-000	CYL & INDICATOR ROD ASSY	1	1.2.1	250-79-35-189	VALVE HOUSING	1
1.1.1	308-49-01-000	CYLINDER TUBE ASSY	1	1.2.2	275-01-02-012	VALVE FLANGE	1
1.1.1.1	296-39-01-122	HYDRAULIC CYL TUBE FLANGE	1	1.2.3	275-01-02-062	VALVE END CAP	1
1.1.1.2	308-49-01-275	CYLINDER TUBE	1	1.2.4	308-49-02-144	VALVE EXTENSION PIPE - SHORT	1
1.1.1.3	R23151	3/8" M. JIC WELD FITTING	2	1.2.5	308-49-02-143	VALVE EXTENSION PIPE	1
1.1.2	296-39-00-123	CYLINDER FLANGE	1	1.2.6	308-49-02-145	FLANGE	2
1.1.3	340-36-00-435	CYLINDER PLUNGER	1	1.3	275-17-00-000	VALVE GATE ASSY	1
1.1.4	250-70-00-158	HYDRAULIC CYLINDER SHAFT	1	1.3.1	275-17-00-080	VALVE GATE	1
1.1.5	R07825	1/2 FLAT WASHER	1	1.3.2	275-17-00-081	VALVE GATE BRACKET	1
1.1.6	307-36-00-099	INDICATOR ROD	1	1.4	R07619	3/8 x 1 UNC HEX BOLT	4
1.1.7	340-50-00-469	SHAFT CONNECTOR	1	1.5	R07675	3/8 x 1 1/4 UNC HEX BOLT	4
1.1.8	R08221	7/16 SS FLAT WASHER	2	1.6	R07794	3/8-16 UNC FLANGE NUT	8
1.1.9	R08229	1/2" S.S. NYLOC HEX NUT	1	2	308-69-00-000	VALVE EXTENSION PIPE ASSY	1
1.1.10	R20862	3/4" BACKUP #210	2	2.1	364-01-03-376	DISCHARGE RING	1
1.1.11	R20771	O-RING #11-210	2	2.2	308-49-02-145	FLANGE	1
1.1.12	R20774	3/4" HYTREL ROD WIPER 52-750	2	2.3	364-01-03-063	DISCHARGE TUBE	1
1.1.13	R20866	O-RING #11-218	3	3	308-46-14-000	FLANGE ASSY	1
1.1.14	R20867	BACKUP RING #8-218	2	3.1	364-01-03-063	DISCHARGE TUBE	1
1.1.15	R07906	5/16 x 3/8" SET SCREW	2	3.2	308-49-02-145	FLANGE	1
1.1.16	R07721	3/8 x 1 UNC CARRIAGE BOLT	2	4	242-35-00-000	HYD HOSE ASSY	2
1.1.17	R07794	3/8-16 UNC FLANGE NUT	2	5	R07637	1/2 x 1 UNC HEX BOLT	8
1.1.18	R20865	O-RING #11-014	1	6	R07795	1/2-13 UNC FLANGE NUT	8
1.1.19	508-09-00-039	WIPER BLOCK - JIC	2	7	R23094	ORB-10 x 3/8" JIC M ADAPTOR	2
1.1.20	R08198	1 9/16" INTERNAL SNAP RING	1	8	R23182	MALE PIONEER TIP-ORB-10	2

VALVE KIT - 8"

8" VALVE KIT
308-86-00-000



VALVE KIT - 8"

PARTS LIST				PARTS LIST			
ITEM	PART NUMBER	DESCRIPTION	QTY	ITEM	PART NUMBER	DESCRIPTION	QTY
1	308-86-05-000	8" VALVE W/INDICATOR VALVE KIT	1	1.2	308-86-02-000	VALVE BODY ASSY W/FLANGES	1
1.1	308-86-01-000	CYL & INDICATOR ROD ASSY	1	1.2.1	244-14-01-000	VALVE BODY ASSY	1
1.1.1	308-86-03-000	HYDRAULIC CYLINDER TUBE ASSY	1	1.2.1.1	244-14-01-323	VALVE BODY	1
1.1.1.1	244-26-01-344	CYLINDER TUBE FLANGE	1	1.2.1.2	244-14-01-324	VALVE BODY SUPPORT	1
1.1.1.2	308-86-03-250	HYD CYLINDER TUBE	1	1.2.1.3	242-97-00-231	VALVE INNER FLANGE	1
1.1.1.3	R23151	3/8" M. JIC WELD FITTING	2	1.2.1.4	242-97-00-230	VALVE END CAP	1
1.1.2	244-14-02-325	CYLINDER SHAFT	1	1.2.2	308-86-02-247	UPPER EXTENSION PIPE	1
1.1.3	340-36-00-435	CYLINDER PLUNGER	1	1.2.3	358-92-02-306	8" DISCHARGE FLANGE	1
1.1.4	R20865	O-RING #11-014	1	1.2.4	358-92-01-301	8" HOUSING DISCHARGE RING	1
1.1.5	R20867	BACKUP RING #8-218	2	1.2.5	308-86-02-248	LOWER EXTENSION PIPE	1
1.1.6	R20866	O-RING #11-218	3	1.3	242-36-42-000	VALVE GATE ASSY	1
1.1.7	R20771	O-RING #11-210	2	1.3.1	242-36-42-268	VALVE GATE	1
1.1.8	R20774	3/4" HYTREL ROD WIPER 52-750	2	1.3.2	242-36-42-269	VALVE GATE BRKT	1
1.1.9	244-26-00-345	FLANGE	1	1.4	R07794	3/8-16 UNC FLANGE NUT	10
1.1.10	R08229	1/2" S.S. NYLOC HEX NUT	1	1.5	R07619	3/8 x 1 UNC HEX BOLT	8
1.1.11	R08222	1/2" SAE S.S. FLAT WASHER	3	1.6	R07675	3/8 x 1 1/4 UNC HEX BOLT	2
1.1.12	340-50-00-469	SHAFT CONNECTOR	1	2	308-86-04-000	HOSE ADAPTOR TUBE	1
1.1.13	R07906	5/16 x 3/8" SET SCREW	2	2.1	358-92-02-306	8" DISCHARGE FLANGE	1
1.1.14	308-86-01-249	HYDRAULIC INDICATOR ROD	1	2.2	308-86-04-257	HOSE ADAPTOR TUBE	1
1.1.15	R20862	3/4" BACKUP #210	2	3	242-35-00-000	HYD HOSE ASSY	2
1.1.16	508-09-00-039	WIPER BLOCK - JIC	2	4	R07879	7/16-14 UNC FLANGE NUT	6
1.1.17	R08198	1 9/16" INTERNAL SNAP RING	1	5	R07628	7/16 x 1 UNC HEX BOLT	6
1.1.18	R07721	3/8 x 1 UNC CARRIAGE BOLT	2	6	R23094	ORB-10 x 3/8" JIC M ADAPTOR	2
1.1.19	R07794	3/8-16 UNC FLANGE NUT	2	7	R23182	MALE PIONEER TIP-ORB-10	2

GUARANTEE

All Husky Farm Equipment manufactured by Husky Farm Equipment Limited is guaranteed. Guarantee covers all the replacement cost or repair of all parts said to be defective from manufacture. Guarantee also covers labour installing said parts, if installed at Husky Manufacturing plant. Time and use is the essence of the guarantee. If equipment is used on a private property for an individual's use, guarantee will be in effect for twelve months from date of invoice. If equipment is used for commercial use to do custom work for money then guarantee will be in effect for three months only from date of invoice.

EXEMPTIONS FROM GUARANTEE

Cost of transportation of equipment to or from Husky Farm Equipment Limited either by customer or by Husky's service staff or cost of mail or public transportation is not covered. Tires and electric or hydraulic motors are covered by manufacturer's warranty and although Husky may assist to get warranty, Husky will not be responsible other than that allowed by manufacturer's warranty. Items subject to normal wear from use not covered by guarantee if faulty part is simply worn.