

Sept 20 1986
15 made

DATE PURCHASED _____ MACHINE SERIAL NO. _____

OPTIONS: _____

PLEASE NOTE:

The key number system in this parts book is arranged as follows:

- 0 --Key number with one circle denotes main assemblies
- Key numbers not circled are individual parts

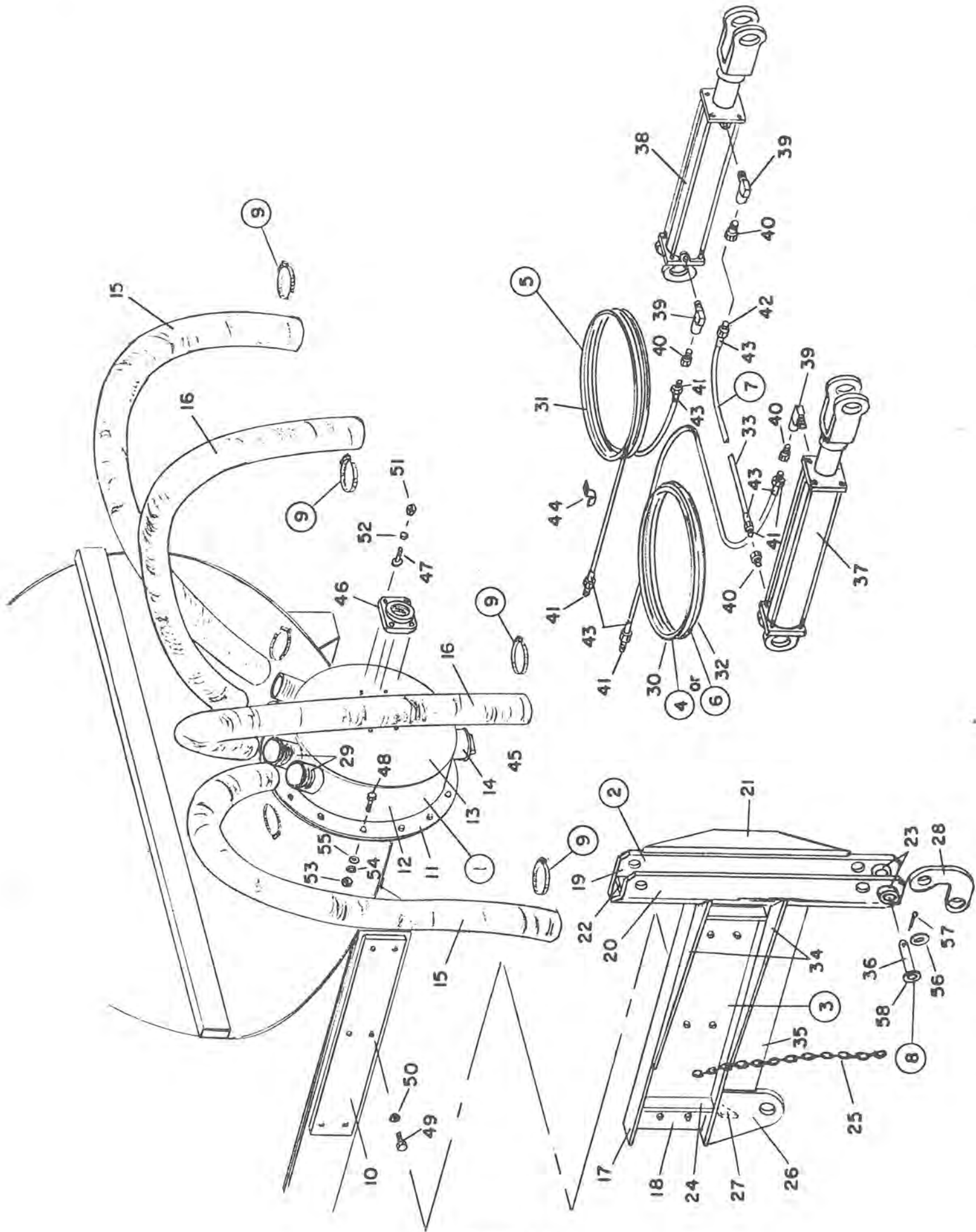
Please order parts by number

HUSKY REAR MOUNT
SOIL INJECTOR

OPERATING INSTRUCTIONS:

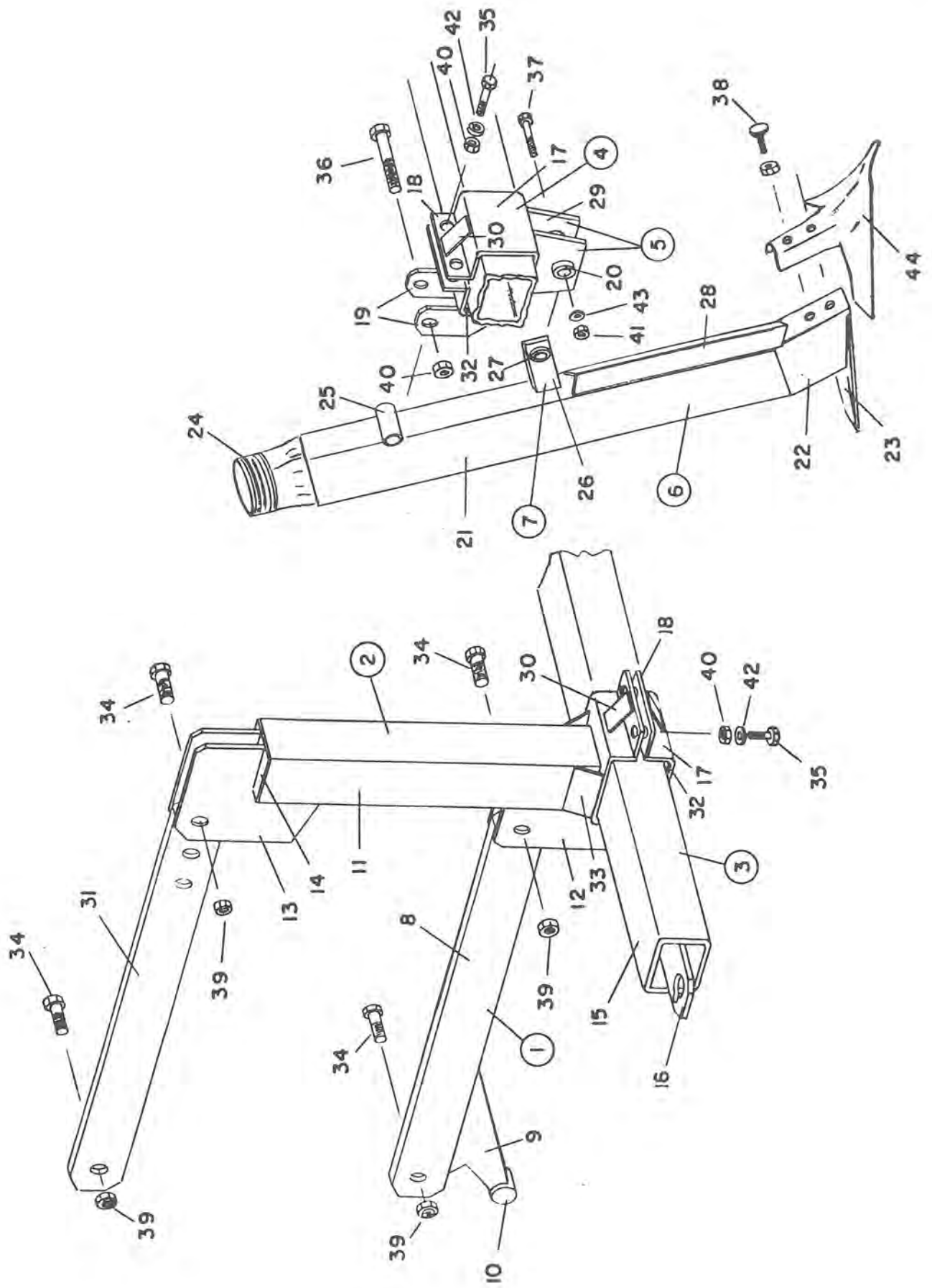
Your Husky Rear Mounted Soil Injector is designed to open up the ground wide enough to pump in a stream of manure below the ground surface. Although it is a well built machine it is not indestructable and should be used with common sense.

1. Do not try to operate in very hard or stoney ground.
2. Volume can be controlled by P.T.O. speeds and ground travel speed as well as how far you open valve.
3. Your P.T.O. shear pin will protect the injector pump however you should try and not inject foreign material, stones etc. Pump can be run at either 540 or 1000 RPM with some tractors it may be necessary to stop P.T.O. or slow it down while turning avoid shearing pins.
4. EXTREME DANGER - Never enter a dirty Manure Spreader or Storage Tank - one breath of Hydrogen Sulfide Gas is enough to kill.



KEY	PART NUMBER	DESCRIPTION	QTY
1	308-07-00-000	FAN HOUSING ASSY.	1
2	308-14-00-000	L.H. MOUNTING BRKT COMPLETE	1
	308-15-00-000	R.H. MOUNTING BRKT COMPLETE (SHOWN)	1
3	308-14-01-000	SILL MOUNTING BRKT ASSY	2
4	308-27-00-000	HYD HOSE - 14000L VAC	*
5	308-28-00-000	HYD HOSE - 14000L VAC	*
		- 14000L MODEL D	1
		- 12000L MODEL D	*
		- 12000L VAC	*
6	308-29-00-000	HYD HOSE - 14000L MODEL D	1
		- 12000L MODEL D	*
		- 12000L VAC	*
7	308-30-00-000	HYD HOSE	1
8	308-35-00-000	CYLINDER LUG PIN ASSY	2
9	368-46-00-000	3" ROD & CLAMP ASSY	8
10	308-00-00-043	SILL BOLT PLATE	2
11	308-07-00-018	HOUSING RING	1
12	308-07-00-019	HOUSING BAND	1
13	308-07-00-020	FAN HOUSING COVER	1
14	308-07-00-022	DRAIN PIPE	1
15	308-00-00-086	LONG INJECTOR HOSE MODEL D	2
	308-00-00-085	LONG INJECTOR HOSE VACUUM	*
16	308-00-00-085	SHORT INJECTOR HOSE MODEL D	2
	308-00-00-084	SHORT INJECTOR HOSE VACUUM	*
17	308-14-01-031	SILL MOUNTING CHANNEL	2
18	308-14-01-032	MOUNTING CHANNEL REINFORCING	2
19	308-14-00-033	INNER VERTICAL ARM	2
20	308-14-00-034	L.H. OUTER VERTICAL ARM	1
	308-15-00-100	R.H. OUTER VERTICAL ARM (SHOWN)	1
21	308-14-00-035	VERTICAL ARM GUSSET	2
22	308-14-00-036	VERTICAL ARM FILLER PLATE	2
23	308-14-00-037	BUSHING	4
24	308-14-00-038	MOUNTING BRKT GUSSET	4
25	308-14-00-039	SAFETY CHAIN	2
26	308-14-00-040	L.H. CYLINDER BRKT	1
	308-15-00-042	R.H. CYLINDER BRKT (SHOWN)	1
27	308-14-00-041	CYLINDER BRKT GUSSET	2
28	308-00-00-077	CYLINDER LUG	2
29	308-07-00-079	ANGLED BARBED CONNECTOR	4
30	308-27-00-080	HYD HOSE	*
31	308-28-00-081	HYD HOSE	1
32	308-29-00-082	HYD HOSE	1
33	308-30-00-083	HYD HOSE	1
34	308-14-00-105	OUTER ARM GUSSET	4
35	308-14-00-107	MOUNTING BRKT BRACE	2
36	308-35-00-108	CYLINDER LUG PIN	2
37	R21507	32PTR10 PHASING CYL	1
38	R21506	30PTR10 PHASING CYL	1
39	R21367	1/2 X 90 DEG. NPT STREET ELBOW	3
40	R02043	1/2 X 3/8 BUSHING	4
41	R20803	3/8 MALE STEM - SOLID	5
42	R20806	3/8 MALE STEM - SWIVEL	1
43	R21231	FERRULE	6
44	R09778	HOSE CLAMP	4
45	R02284	1 1/2 ABS PIPE PLUG	1
46	R20192	1 1/4 TRIPLE SEAL BRG	1
47	R07733	7/16 X 1 1/2 CARRIAGE BOLT	4
		(* - OPTIONAL)	

KEY	PART NUMBER	DESCRIPTION	QTY
48	R07675	3/8 X 1 1/4 HEX BOLT	14
49	R07673	5/8 X 1 1/4 HEX BOLT	12
50	R07806	5/8 LOCK WASHER	12
51	R07784	7/16 HEX NUT	4
52	R07804	7/16 LOCK WASHER	4
53	R07783	3/8 HEX NUT	14
54	R07803	3/8 LOCK WASHER	14
55	R07823	3/8 FLAT WASHER	14
56	R07828	1" FLAT WASHER	2
57	R20122	3/16 X 2 COTTER PIN	2
58	R07827	3/4 FLAT WASHER	2

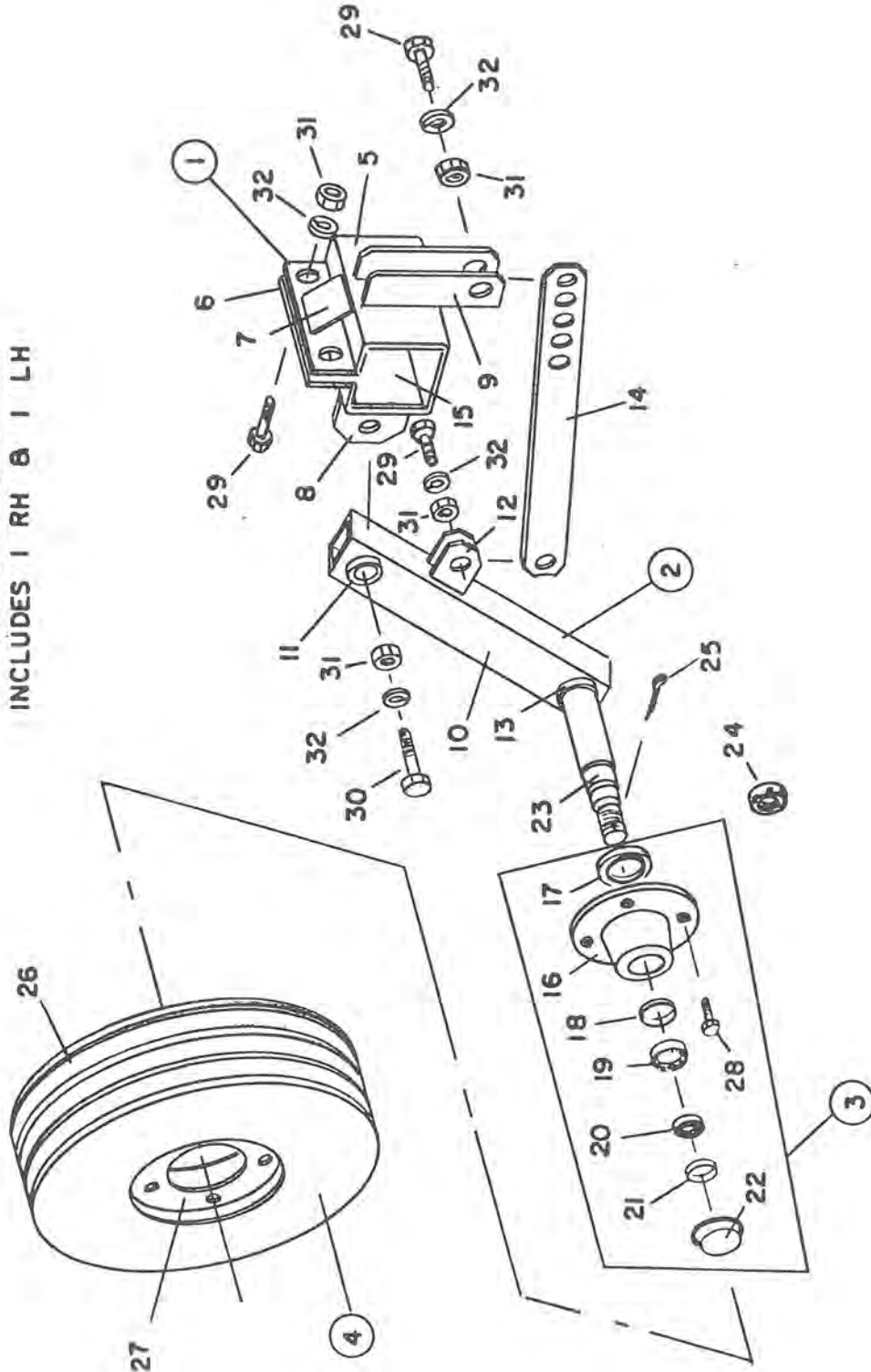


KEY	PART NUMBER	DESCRIPTION	QTY
1	308-16-00-000	LOWER LIFT ARM ASSY	2
2	308-17-00-000	VERTICAL TUBE ASSY	2
3	308-19-00-000	TOOL BAR ASSY	1
4	308-20-00-000	TOOTH HOLDER SLEEVE ASSY	4
5	308-20-10-000	SHEAR BUSHING BRKT ASSY	8
6	308-22-00-000	TOOTH ASSY	4
7	308-22-07-000	SHEAR BUSHING PLATE ASSY	4
8	308-16-00-044	LEFT ARMS	2
9	308-16-00-045	LUG BRKT	2
10	308-16-00-046	LUG	2
11	308-17-00-047	VERTICAL TUBE	2
12	308-17-00-048	LOWER ARM BRKTS	4
13	308-17-00-049	UPPER ARM BRKTS	4
14	308-17-00-051	VERTICAL TUBE END CAP	2
15	308-19-00-052	TOOL BAR	1
16	308-19-00-053	CHAIN LOCK	2
17	308-20-00-055	TOOTH HOLDER SLEEVE	6
18	308-20-00-056	SLEEVE BRKT.	12
19	308-20-00-057	TOOTH SLEEVE LUG	8
20	308-20-10-060	HALF SHEAR BUSHING	8
21	308-22-00-061	TOOTH MAIN TUBE	4
22	308-22-00-062	TOOTH LOWER TUBE	4
23	308-22-00-063	TOOTH PAD	4
24	308-22-00-064	ADAPTOR TUBE	4
25	308-22-00-065	TOOTH PIVOT BUSHING	4
26	308-22-07-066	TOOTH SHEAR BUSHING PLATE	4
27	308-22-07-067	SHEAR BUSHING	4
28	308-22-00-068	CUTTER BAR	4
29	308-20-10-078	SHEAR BUSHING BRKT	8
30	308-17-00-087	GUSSET	12
31	308-00-00-096	UPPER LEFT ARM	2
32	308-17-00-101	SHIM	6
33	308-17-00-106	VERTICAL TUBE GUSSET	4
34	R07656	3/4 X 3 HEX BOLT	8
35	R07648	5/8 X 2 1/2 HEX BOLT	12
36	R07651	5/8 X 4 HEX BOLT	4
37	R07640	1/2 X 2 1/2 SHEAR BOLT -GRADE 5	4
38	R08141	1/2 X 1 1/4 PLOW BOLT	8
39	R07881	3/4 LOCK NUTS	8
40	R07786	5/8 HEX NUT	16
41	R07785	1/2 HEX NUT	12
42	R07806	5/8 LOCK WASHER	16
43	R07805	1/2 LOCK WASHER	4
44	R09553	12" CHISEL SWEEP	4

308-31-00-000
BRKT & WHEEL

SUPPORT KIT

INCLUDES 1 RH & 1 LH



KEY	PART NUMBER	DESCRIPTION	QTY
1	308-31-04-000	BRKT ASSY	2
2	308-31-05-000	R.H. LEG & SPINDLE ASSY	1
	308-31-06-000	L.H. LEG & SPINDLE ASSY	1
3	250-60-30-000	H-411 HUB COMPLETE	2
4	250-65-00-000	5.90 X 15 TIRE & WHEEL ASSY	2
5	308-20-00-055	TOOTH HOLDER SLEEVE	2
6	308-20-00-056	SLEEVE BRKT	4
7	308-17-00-087	GUSSET	4
8	308-31-04-090	BRKT LUG	4
9	308-31-04-091	BRKT ADJUSTMENT LUG	4
10	308-31-05-092	SPINDLE HOLDER	1
11	308-31-05-093	SPINDLE HOLDER BUSHING	2
12	308-31-05-094	SPINDLE HOLDER BRKTS	4
13	308-31-05-095	SPINDLE SLEEVE	2
14	308-31-00-089	ADJUSTMENT BAR	2
15	308-17-00-101	SHIM	2
16	R20160	H-411 HUB	2
17	R20144	SEAL	2
18	R20129	INNER CUP	2
19	R20159	INNER CONE	2
20	R20158	OUTER CONE	2
21	R20130	OUTER CUP	2
22	R20143	DUST CAP	2
23	R20141	SPINDLE W/NUT	2
24	R20142	SPINDLE NUT 3/4-16	2
25	R08002	5/32 X 1 1/2 COTTER PIN	2
26	R20016	5.90 X 15 IMPLEMENT TIRE	2
27	R20057	4.5 X 15 - 4 BOLT WHEEL	2
28	R20145	1/2 -20 X 1 1/4 WHEEL BOLT	8
29	R07648	5/8 X 2 1/2 HEX BOLT	8
30	R07652	5/8 X 5 HEX BOLT	2
31	R07786	5/8 HEX NUT	10
32	R07806	5/8 LOCK WASHER	10

