

DATE PURCHASED \_\_\_\_\_ MACHINE SERIAL NO. \_\_\_\_\_

*Office Copy  
#12191  
20 made*

OPTIONS: \_\_\_\_\_

PLEASE NOTE:

The key number system in this parts book is arranged as follows:

- 0 --Key number with one circle denotes main assemblies
- Key numbers not circled are individual parts

Please order parts by number

HUSKY REAR MOUNT

SOIL INJECTOR

1

OPERATING INSTRUCTIONS:

Your Husky Rear Mounted Soil Injector is designed to open up the ground wide enough to pump in a stream of manure below the ground surface. Although it is a well built machine it is not indestructible and should be used with common sense.

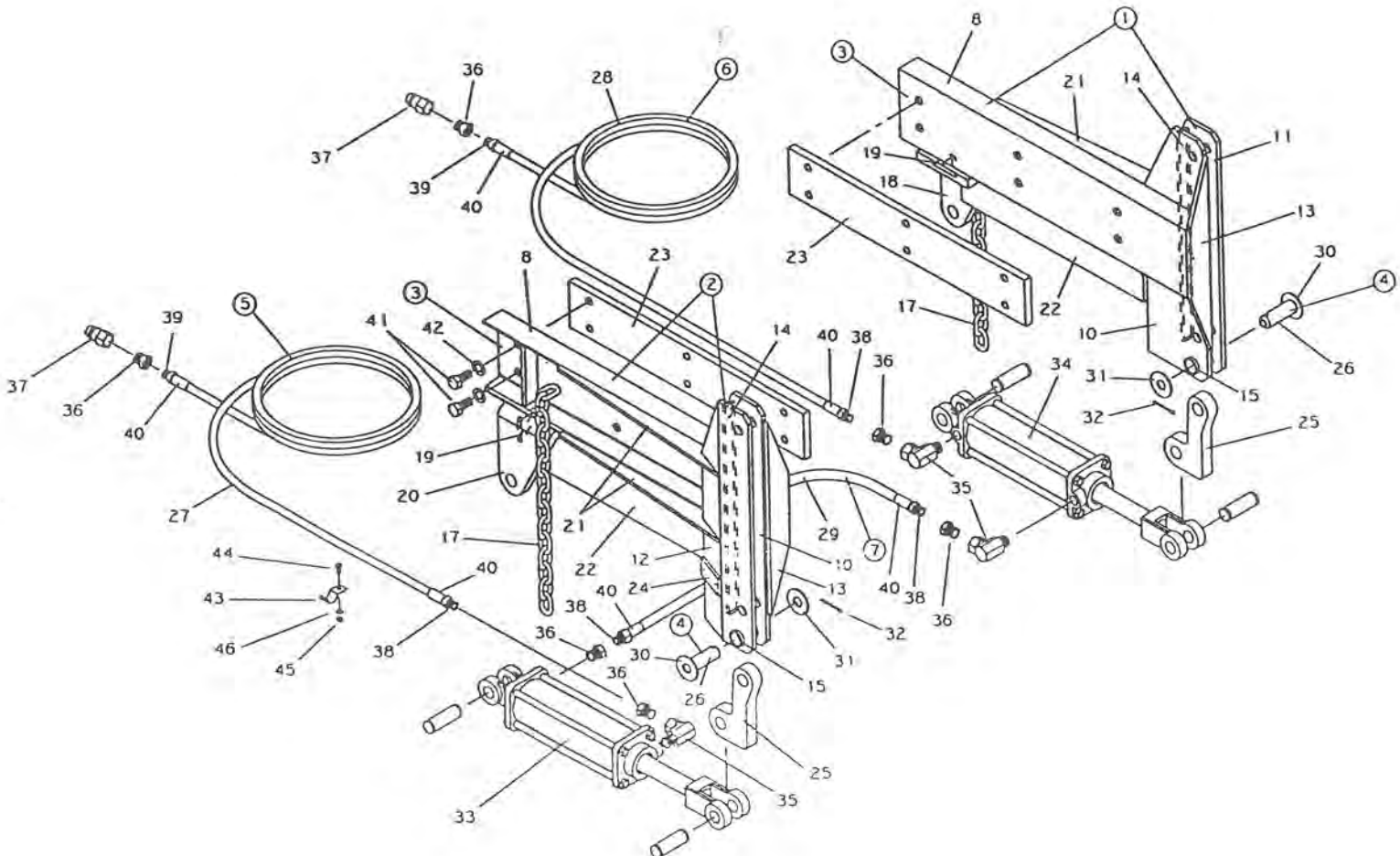
1. Do not try to operate in very hard or stony ground.
2. Volume can be controlled by P.T.O. speeds and ground travel speed as well as how far you open valve.
3. Your P.T.O. shear pin will protect the injector pump however you should try and not inject foreign material, stones etc. Pump can be run at either 540 or 1000 r.p.m. with some tractors it may be necessary to stop P.T.O. or slow it down while turning avoid shearing pins.
4. EXTREME DANGER - Never enter a dirty Manure Spreader or Storage Tank - one breath of Hydrogen Sulfide Gas is enough to kill.

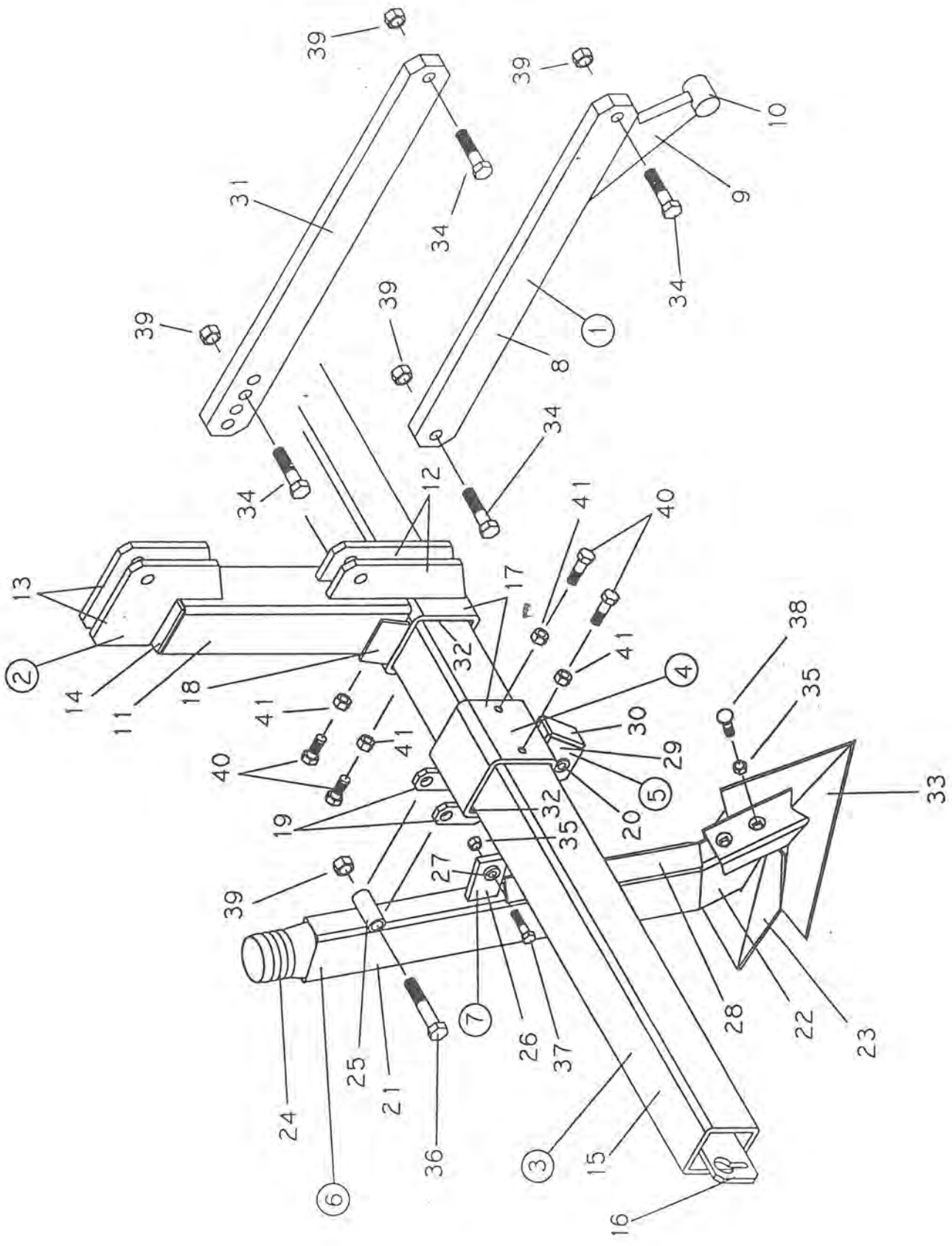
REAR MOUNT SOIL INJECTOR

KEY	PART NUMBER	DESCRIPTION	QTY
1	308-14-00-000	R.H. MOUNTING BRKT COMPLETE	1
2	308-15-00-000	L.H. MOUNTING BRKT COMPLETE	1
3	308-14-01-000	SILL MOUNTING BRKT ASSEMBLY	2
4	308-35-00-000	CYLINDER LUG PIN ASSEMBLY	2
-----			
5	308-37-00-000	HYD HOSE - 14000L VAC	*
	308-28-00-000	HYD HOSE - 14000L MODEL D	1
	308-28-00-000	HYD HOSE - 12000L MODEL D	*
	308-38-00-000	HYD HOSE - 12000L VAC	*
-----			
6	308-29-00-000	HYD HOSE - 14000L MODEL D	1
	308-29-00-000	HYD HOSE - 12000L MODEL D	*
	308-39-00-000	HYD HOSE - 12000L VAC	*
	308-36-00-000	HYD HOSE - 14000L VAC	*
-----			
7	308-30-00-000	HYD HOSE	1
8	308-14-01-031	SILL MOUNTING CHANNEL	2
9	308-14-01-032	MOUNTING CHANNEL REINFORCING	2
10	308-14-00-033	INNER VERTICAL ARM	2
-----			
11	308-14-00-034	OUTER VERTICAL ARM R.H.	1
12	308-15-00-100	OUTER VERTICAL ARM L.H.	1
13	308-14-00-035	VERTICAL ARM GUSSET	2
14	308-14-00-036	VERTICAL ARM FILLER PLATE	2
-----			
15	308-14-00-037	BUSHING	4
16	308-14-00-038	MOUNTING BRKT GUSSET	4
17	308-14-00-039	SAFETY CHAIN	2
18	308-14-00-040	CYLINDER BRKT R.H.	1
-----			
19	308-14-00-041	CYLINDER BRKT GUSSET	2
20	308-15-00-042	CYLINDER BRKT L.H.	1
21	308-14-00-105	OUTER ARM GUSSET	4
22	308-14-00-107	MOUNTING BRKT BRACE	2
-----			
23	308-00-00-043	SILL BOLT PLATE	2
24	340-01-00-498	SERIAL NUMBER BACK PLATE	1
25	308-00-00-077	CYLINDER LUG	2
26	308-35-00-108	CYLINDER LUG PIN	2
-----			
27	308-37-00-111	HYD. HOSE 14000L VAC	*
	308-28-00-081	HYD. HOSE 14000L MODEL D	1
	308-28-00-081	HYD. HOSE 12000L MODEL D	*
	308-38-00-112	HYD. HOSE 12000L VAC	*
-----			
28	308-29-00-082	HYD. HOSE 14000L MODEL D	1
	308-29-00-082	HYD. HOSE 12000L MODEL D	*
	308-36-00-110	HYD. HOSE 14000L VAC	*
	308-39-00-113	HYD. HOSE 12000L VAC	*
-----			
29	308-30-00-083	HYD HOSE - ALL SIZES	1
30	R07827	3/4" FLAT WASHER	2
31	R07828	1" FLAT WASHER	2
32	R08013	3/16 X 2 COTTER PIN	2

KEY	PART NUMBER	DESCRIPTION	QTY
33	R21507	32PTR08 PHASING CYLINDER	1
34	R21506	30PTR08 PHASING CYLINDER	1
35	R21367	1/2 X 90 DEG NPT STEEL ELBOW	3
36	R02043	1/2 X 3/8 BUSHING	6
-----			
37	R21342	PIONEER ENDS	2
38	R20806	3/8 MALE STEM - SWIVEL	4
39	R20803	3/8 MALE STEM - SOLID	2
40	R21237	FERRULE	6
-----			
41	R07673	5/8 X 1 1/4 HEX BOLT	12
42	R07806	5/8 LOCK WASHER	12
43	R09778	HOSE CLAMP	4
44	R07698	1/4 X 1/2 HEX BOLT	4
-----			
45	R07781	1/4 HEX NUT	4
46	R07801	1/4 LOCK WASHER	4
-----			

(\* OPTIONAL)

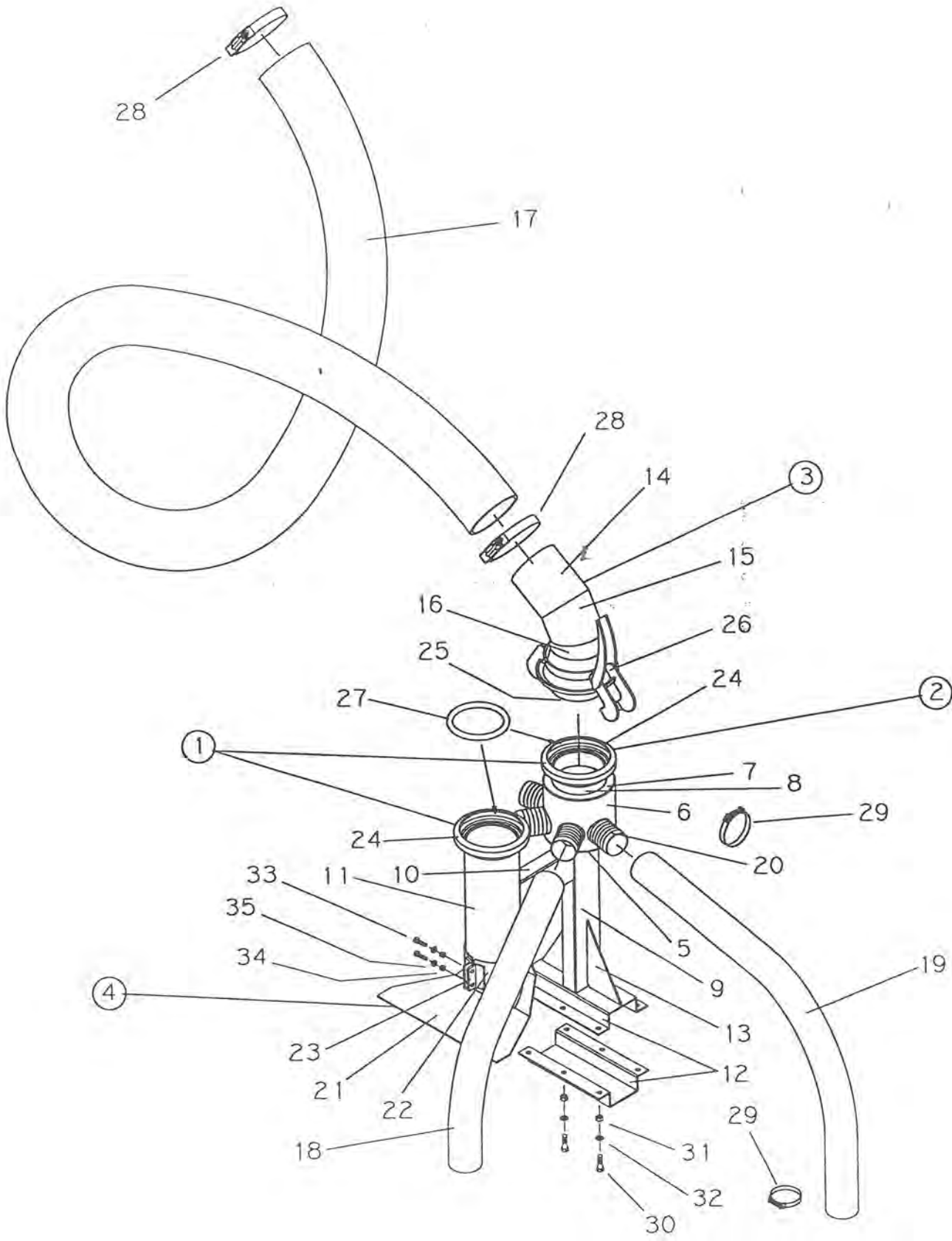




**LIFT ARM AND TEETH ASSEMBLIES**

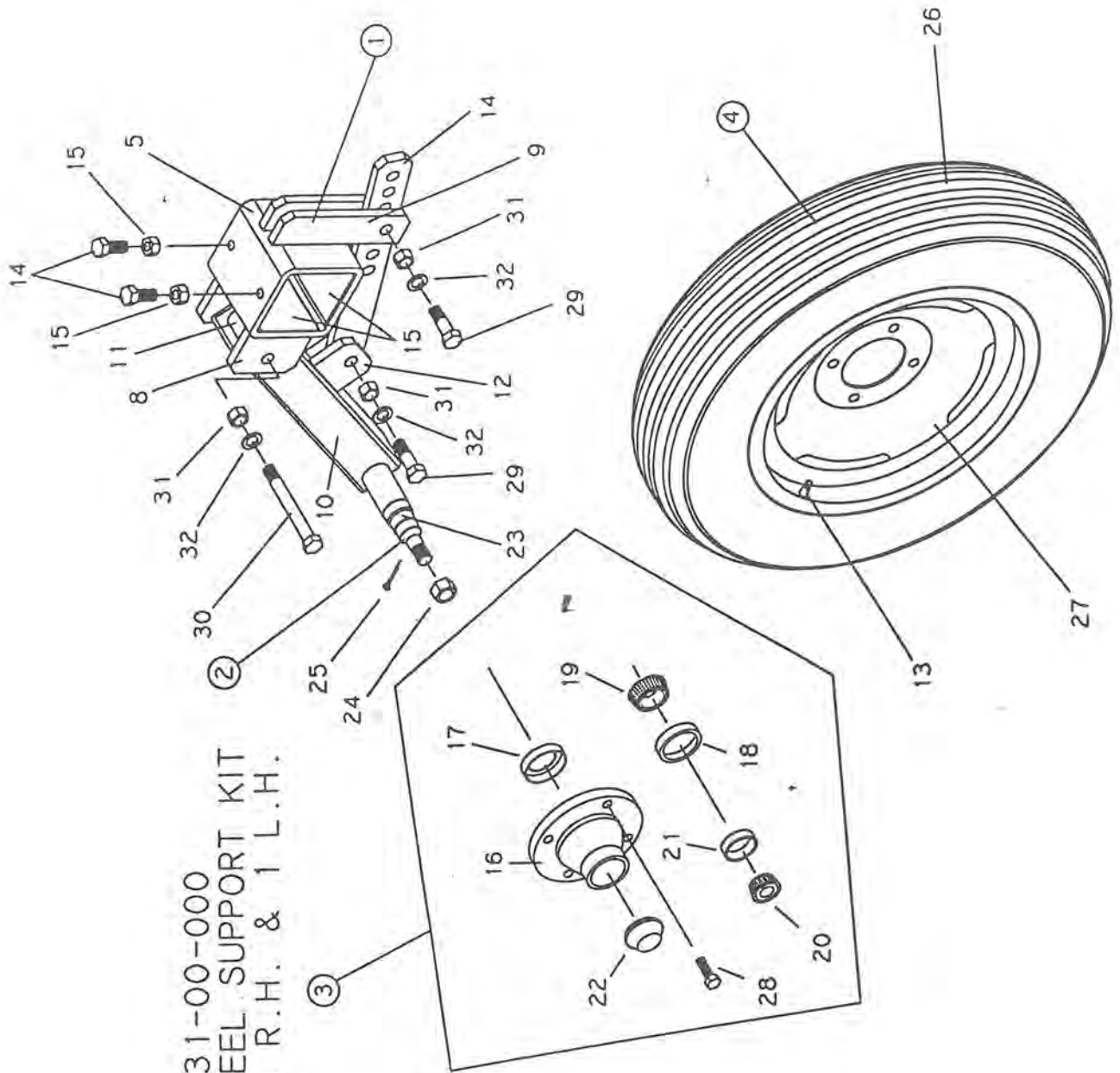
<u>KEY</u>	<u>PART NUMBER</u>	<u>DESCRIPTION</u>	<u>QTY</u>
1	308-16-00-000	LOWER LIFT ARM ASSY	2
2	308-17-00-000	VERTICAL TUBE ASSY	2
3	308-19-00-000	TOOL BAR ASSY	1
4	308-20-00-000	TOOTH HOLDER SLEEVE ASSY	4
-----			
5	308-20-10-000	SHEAR BUSHING BRKT ASSY	8
6	308-22-00-000	TOOTH ASSY	4
7	308-22-07-000	SHEAR BUSHING PLATE ASSY	4
8	308-16-00-044	LIFT ARMS	2
-----			
9	308-16-00-045	LUG BRKT	2
10	308-16-00-046	LUG	2
11	308-17-00-047	VERTICAL TUBE	2
12	308-17-00-048	LOWER ARM BRKTS	4
-----			
13	308-17-00-049	UPPER ARM BRKTS	4
14	308-17-00-051	VERTICAL TUBE END CAP	2
15	308-19-00-052	TOOL BAR	1
16	308-19-00-053	CHAIN LOCK	2
-----			
17	308-20-00-055	TOOTH HOLDER SLEEVE	6
18	308-17-00-106	VERTICAL TUBE GUSSET	4
19	308-20-00-057	TOOTH SLEEVE LUG	8
20	308-20-10-060	HALF SHEAR BUSHING	8
-----			
21	308-22-00-061	TOOTH MAIN TUBE	4
22	308-22-00-062	TOOTH LOWER TUBE	4
23	308-22-00-063	TOOTH PAD	4
24	308-22-00-064	ADAPTOR TUBE	4
-----			
25	308-22-00-065	TOOTH PIVOT BUSHING	4
26	308-22-07-066	TOOTH SHEAR BUSHING PLATE	4
27	308-22-07-067	SHEAR BUSHING	4
28	308-22-00-068	CUTTER BAR	4
-----			
29	308-20-10-078	SHEAR BUSHING BRKT	8
30	308-20-00-109	BRKT REINFORCING BAR	2
31	308-00-00-096	UPPER LIFT ARM	2
32	308-17-00-101	SHIM	12
-----			
33	R09553	12" CHISEL SWEEP	4
34	R07656	3/4 X 3 HEX BOLT	8
35	R07885	1/2 LOCK NUT	12
36	R07658	3/4 X 4 HEX BOLT	4
-----			
37	R07640	1/2 X 2 1/2 SHEAR BOLT -GRADE 5	4
38	R08141	1/2 X 1 1/4 PLOW BOLT	8
39	R07881	3/4 LOCK NUTS	12
40	R07861	1/2 X 1 1/2 NF HEX BOLT	12
-----			
41	R07815	1/2 NF HEX NUT	12
-----			





<u>KEY</u>	<u>PART NUMBER</u>	<u>DESCRIPTION</u>	<u>QTY</u>
1	308-44-00-000	DISTRIBUTION ASSY	1
2	308-44-13-000	CANISTER ASSY	1
3	308-45-00-000	BALL & CLAMP ASSY	1
4	364-21-00-000	SPLASH PLATE ASSY	1
-----			
5	308-44-13-122	CANISTER BASE	1
6	308-44-13-123	CANISTER TUBE	1
7	308-44-13-124	CANISTER TOP	1
8	308-44-13-125	CANISTER EXTENSION TUBE	1
-----			
9	308-44-00-126	STAND TUBE	1
10	308-44-00-127	CONNECTOR TUBE	1
11	308-44-00-128	DISCHARGE END PC	1
12	308-44-00-129	CLAMP BRKT	2
-----			
13	308-44-00-130	GUSSET	2
14	308-45-00-131	ELBOW TOP PC	1
15	308-45-00-132	ELBOW CENTER PC	1
16	308-45-00-133	ELBOW BOTTOM PC	1
-----			
17	308-00-00-134	6" DISCHARGE HOSE MODEL E	1
	308-00-00-141	6" DISCHARGE HOSE MODEL D	1
18	308-00-00-137	SHORT INJECTOR HOSE	2
19	308-00-00-138	LONG INJECTOR HOSE	2
-----			
20	308-07-00-079	HALF BARBED CONNECTOR	1
21	364-21-00-069	SPLASH PLATE	1
22	364-21-00-070	CLAMPING TUBE	1
23	364-21-00-071	CLAMPING TUBE BRKT	2
-----			
24	R09836	6" BAUER SOCKET	2
25	R09837	6" BAUER BALL	1
26	R09835	6" BAUER CLAMP	1
27	R09838	BAUER ORING	2
-----			
28	R02482	6" SUPER CLAMP	2
29	R02480	3" SUPER CLAMP	8
30	R07638	1/2 X 1 1/2 HEX BOLT	6
31	R07785	1/2 HEX NUT	6
-----			
32	R07805	1/2 LOCK WASHER	6
33	R07622	3/8 X 2 1/2 HEX BOLT	2
34	R07783	3/8 HEX NUT	2
35	R07803	3/8 LOCK WASHER	2
-----			

308-31-00-000  
BRKT & WHEEL SUPPORT KIT  
INCLUDES 1 R.H. & 1 L.H.

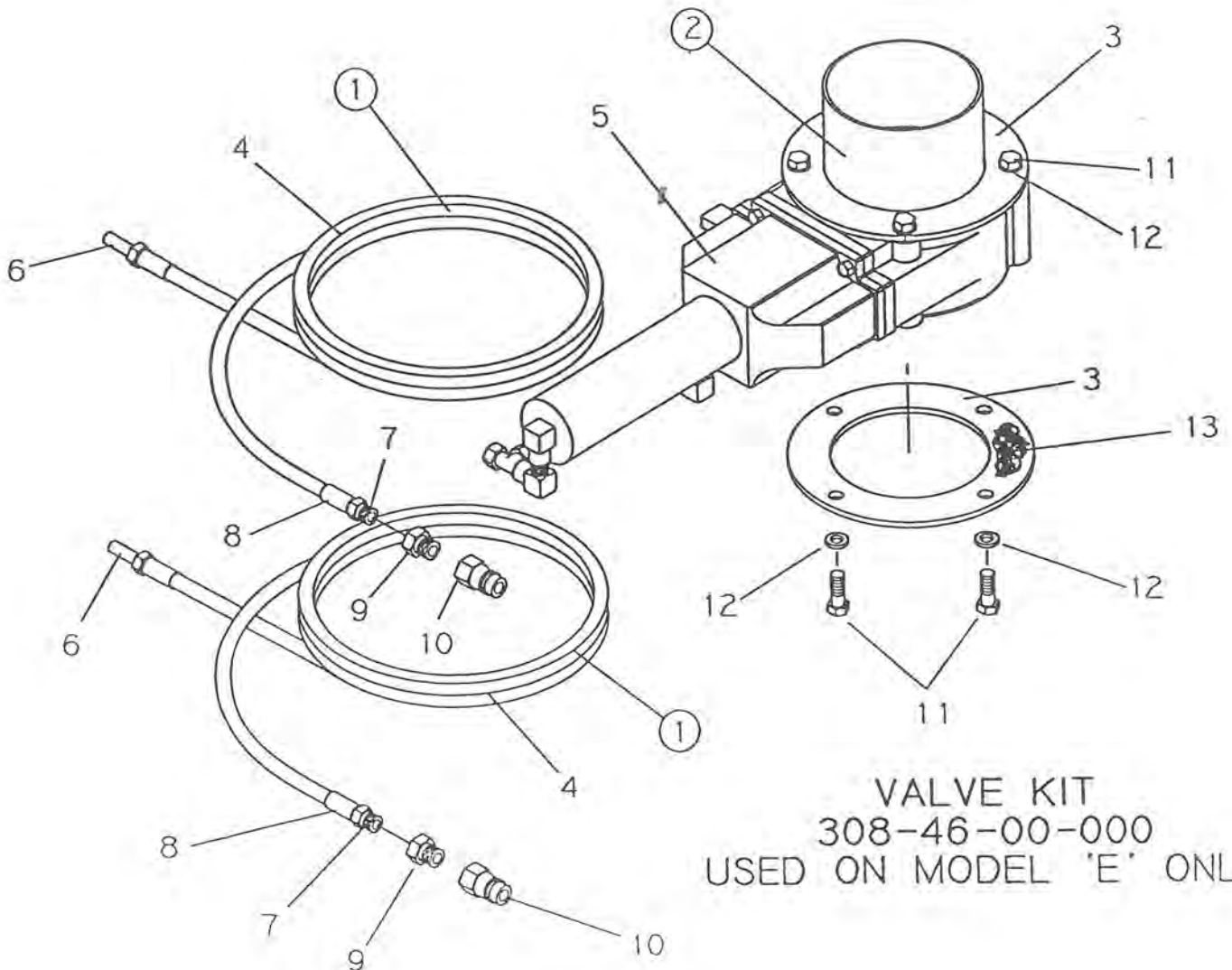




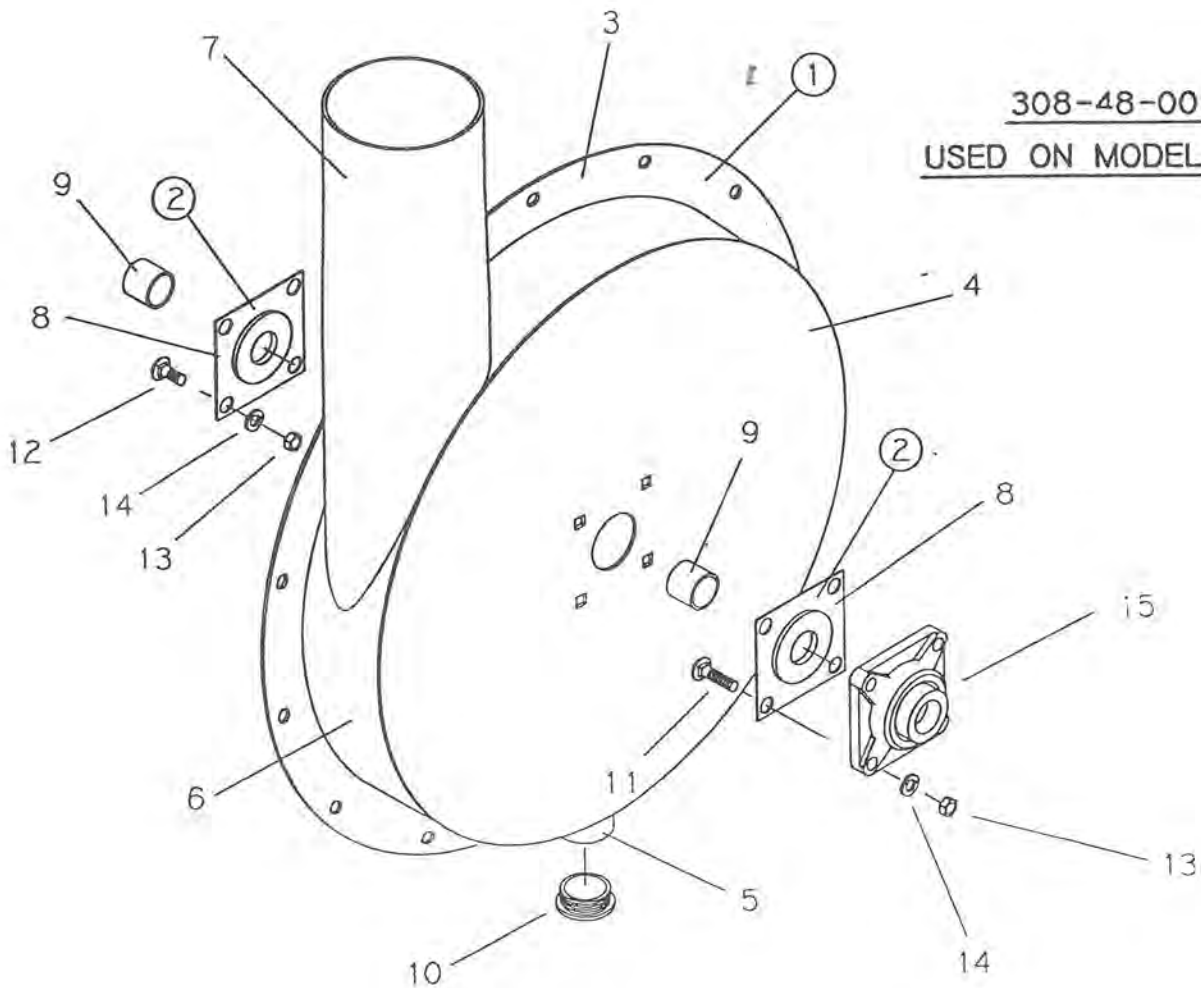
**BRKT AND WHEEL SUPPORT KIT**

<u>KEY</u>	<u>PART NUMBER</u>	<u>DESCRIPTION</u>	<u>QTY</u>
1	308-31-04-000	BRKT ASSY	2
2	308-31-05-000	R.H. LEG & SPINDLE ASSY	1
	308-31-06-000	L.H. LEG & SPINDLE ASSY	1
3	250-60-30-000	H-411 HUB COMPLETE	2
-----			
4	250-65-00-000	5.90 X 15 TIRE & WHEEL ASSY	2
5	308-20-00-055	TOOTH HOLDER SLEEVE	2
6	308-31-00-089	ADJUSTMENT BAR	2
7	308-17-00-101	SHIM	2
-----			
8	308-31-04-090	BRKT LUG	4
9	308-31-04-091	BRKT ADJUSTMENT LUG	4
10	308-31-05-092	SPINDLE HOLDER	1
11	308-31-05-093	SPINDLE HOLDER BUSHING	2
-----			
12	308-31-05-094	SPINDLE HOLDER BRKTS	4
13	R20020	VALVE STEM	2
14	R07861	1/2 X 1 1/2 NF HEX BOLT	4
15	R07815	1/2 NF HEX NUT	4
-----			
16	R20160	H-411 HUB	2
17	R20144	SEAL	2
18	R20129	INNER CUP	2
19	R20159	INNER CONE	2
-----			
20	R20158	OUTER CONE <sup>l</sup>	2
21	R20130	OUTER CUP	2
22	R20143	DUST CAP	2
23	R20141	SPINDLE W/NUT	2
-----			
24	R20142	SPINDLE NUT 3/4-16	2
25	R08002	5/32 X 1 1/2 COTTER PIN	2
26	R20016	5.90 X 15 IMPLEMENT TIRE	2
27	R20057	4.5 X 15 - 4 BOLT WHEEL	2
-----			
28	R20145	1/2 -20 X 1 1/4 WHEEL BOLT	8
29	R07648	5/8 X 2 1/2 HEX BOLT	4
30	R07652	5/8 X 5 HEX BOLT	2
31	R07786	5/8 HEX NUT	10
-----			
32	R07806	5/8 LOCK WASHER	10

<u>KEY</u>	<u>PART NUMBER</u>	<u>DESCRIPTION</u>	<u>QTY</u>
1	308-46-15-000	HYDRAULIC HOSE ASSY	2
2	308-46-14-000	FLANGE ASSY	1
3	308-46-14-135	FLANGE	2
4	308-46-14-136	FLANGE TUBE	1
-----			
5	368-00-00-166	6" HYDRAULIC VALVE	1
6	R21405	METRIC STANDPIPE	2
7	R20803	3/8" STEM STRAIGHT	2
8	R21231	FERRULE	2
-----			
9	R02043	1/2" X 3/8 BUSHING	2
10	R21342	PIONEER COUPLER	2
11	R07674	1/2-13 UNC X 1 1/4 HEX BOLT	8
12	R07805	1/2" LOCK WASHER	8
-----			
13	R04102	SILICONE SEALANT	1



<u>KEY</u>	<u>PART NUMBER</u>	<u>DESCRIPTION</u>	<u>QTY</u>
1	308-47-00-000	FAN HOUSING ASSY	1
2	364-54-00-000	SEAL & PLATE KIT	2
3	308-07-00-018	HOUSING RING	1
4	308-07-00-020	HOUSING COVER	1
<hr/>			
5	308-07-00-020	DRAIN PIPE	1
6	308-47-00-139	HOUSING BAND	1
7	308-47-00-140	HOUSING TUBE	1
8	364-54-00-173	SEAL PLATE	2
<hr/>			
9	308-00-00-142	STAINLESS STEEL SLEEVE	2
10	R02284	1 1/2" ABS PLUG	1
11	R07733	7/16 X 1 1/2" CARRIAGE BOLT	4
12	R07731	7/16 X 1 CARRIAGE BOLT	4
<hr/>			
13	R07784	7/16 HEX NUT	8
14	R07804	7/16 LOCK WASHER	8
15	R20184	1 1/4 FLANGE BRG.	1



308-48-00-000  
USED ON MODEL 'D' ONLY

