

Office Copy Nov 14/95  
14 made  
May 13/96 - 5 made

Date Purchased \_\_\_\_\_ Machine Serial No. \_\_\_\_\_

Options \_\_\_\_\_

PLEASE NOTE:

The key number system in this parts book is arranged as follows:

- 0 -- Key number with one circle denotes main assemblies
- Key Numbers not circled are individual parts.

Please order parts by number

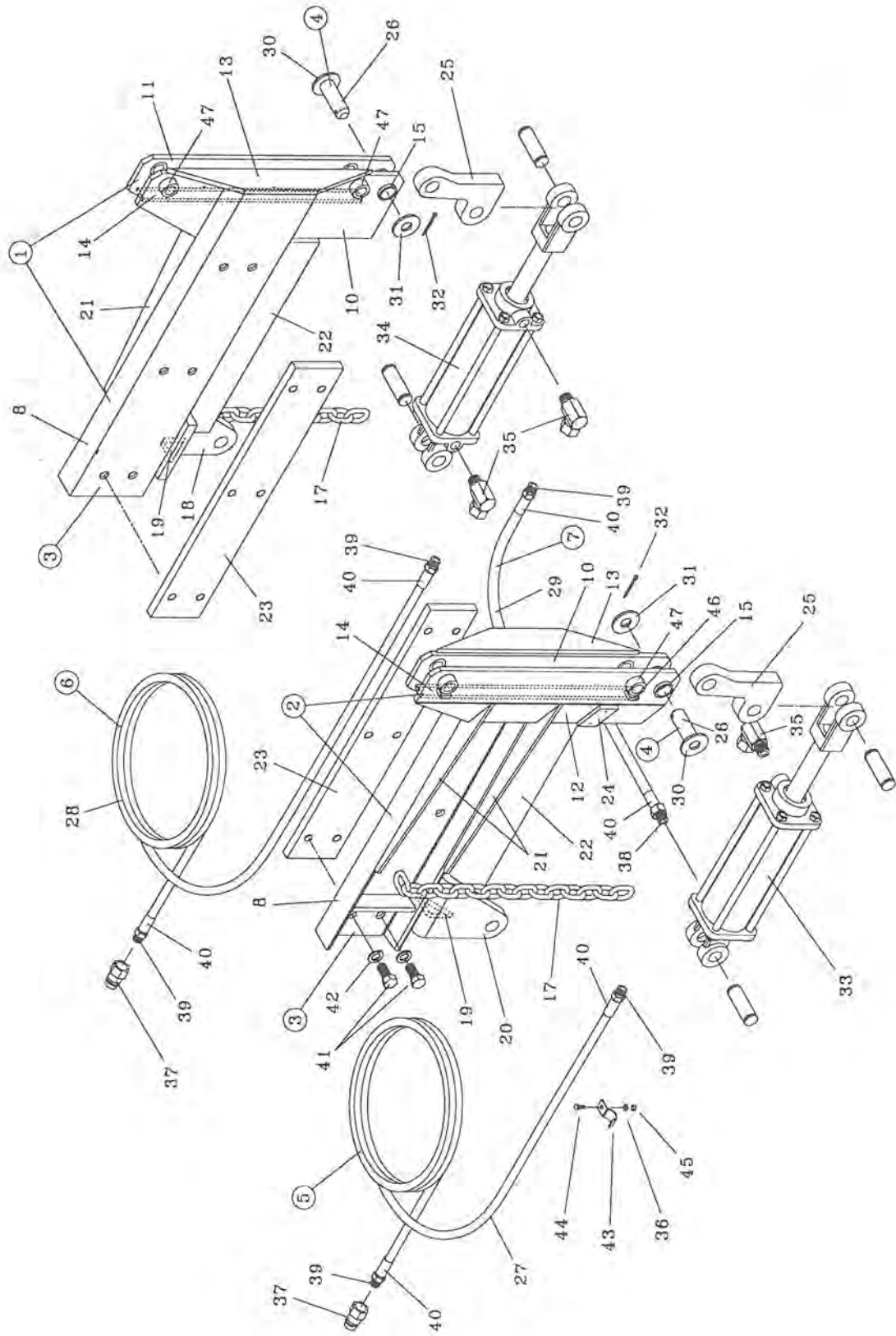
HUSKY MANURE

REAR MOUNT SOIL INJECTOR

OPERATING INSTRUCTIONS:

Your Husky Rear Mounted Soil Injector is designed to open up the ground wide enough to pump in a stream of manure below the ground surface. Although it is a well built machine it is not indestructible and should be used with common sense.

1. Do not try to operate in very hard or stony ground.
2. Volume can be controlled by P.T.O. speeds and ground travel speed as well as how far you open valve.
3. Your P.T.O. shear pin will protect the injector pump however you should try and not inject foreign material, stones etc. Pump can be run at either 540 or 1000 r.p.m with some tractors it may be necessary to stop P.T.O. or slow it down while turning avoid shearing pins.
4. EXTREME DANGER - Never enter a dirty manure spreader or storage tank - one breath of hydrogen sulphide gas is enough to kill.



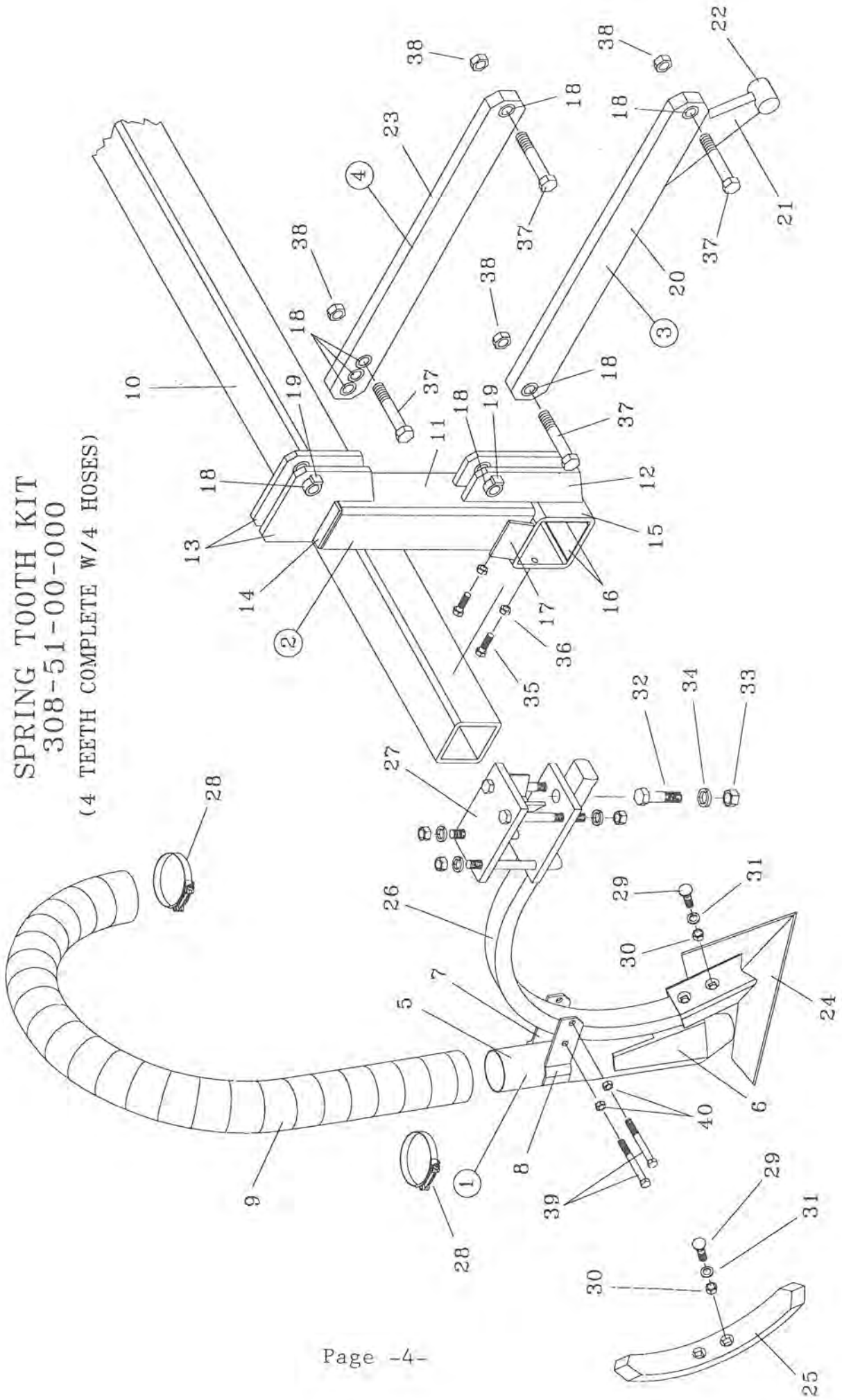
MOUNTING BRACKETS

<u>KEYS</u>	<u>PARTS NUMBER</u>	<u>DESCRIPTION</u>	<u>QTY</u>
1	308-14-00-000	R.H. Mounting Brkt Complete	1
2	308-15-00-000	L.H. Mounting Brkt Complete	1
3	308-14-01-000	Sill Mounting Brkt Assembly	2
4	308-35-00-000	Cylinder Lug Pin Assembly	2
5	308-37-00-000	Hyd Hose - All Vacuum Spreaders	*
	308-28-00-000	Hyd Hose - All Model 'E' & 'D' Spreaders	1
6	308-29-00-000	Hyd Hose - All Model 'E' & 'D' Spreaders	1
	308-36-00-000	Hyd Hose - All Vacuum Spreaders	*
7	308-30-00-000	Hyd Hose	1
8	308-14-01-031	Sill Mounting Channel	2
9	308-14-01-032	Mounting Channel Reinforcing	2
10	308-14-00-033	Inner Vertical Arm	2
11	308-14-00-034	Outer Vertical Arm R.H.	1
12	308-15-00-100	Outer Vertical Arm L.H.	1
13	308-14-00-035	Vertical Arm Gusset	2
14	308-14-00-036	Vertical Arm Filler Plate	2
15	308-14-00-037	Bushing	4
16	308-14-00-038	Mounting Brkt Gusset	4
17	308-14-00-039	Safety Chain	2
18	308-14-00-040	Cylinder Brkt R.H.	1
19	308-14-00-041	Cylinder Brkt Gusset	2
20	308-15-00-042	Cylinder Brkt L.H.	1
21	308-14-00-105	Outer Arm Gusset	4
22	308-14-00-107	Mounting Brkt Brace	2
23	308-00-00-043	Sill Bolt Plate	2
24	340-01-00-498	Serial Number Back Plate	1
25	308-00-00-077	Cylinder Lug	2
26	308-35-00-108	Cylinder Lug Pin	2
27	308-37-00-111	Hyd Hose	*
	308-28-00-081	Hyd Hose	1
28	308-29-00-082	Hyd Hose	1
	308-36-00-110	Hyd Hose 14000L Vac	*
29	308-30-00-083	Hyd Hose - All Sizes	1
30	R07827	3/4" Flat Washer	2
31	R07828	1" Flat Washer	2
32	R08013	3/16 x 2 Cotter Pin	2
33	R21507	32PTR08 Phasing Cylinder	1
34	R21506	30PTR08 Phasing Cylinder	1
35	R21367	1/2 x 90 Deg. NPT Steel Elbow	3
36	R07801	1/4 Lock Washer	4
37	R21342	Pioneer Ends	2
38	R20805	1/2 - 14 NPT Male Stem - Swivel	1
39	R20810	1/2 - 14 NPT Male Stem - Solid	5
40	R20811	3/8" Ferrule	6
41	R07673	5/8 x 1 1/4 Hex Bolt	12
42	R07806	5/8 Lock Washer	12
43	R09778	Hose Clamp	4
44	R07698	1/4 x 1/2 Hex Bolt	4
45	R07781	1/4 Hex Nut	4
46	308-14-00-163	Stop	4
47	308-14-00-165	Hardened Bushings	8

(\*Optional)

SPRING TOOTH KIT  
308-51-00-000

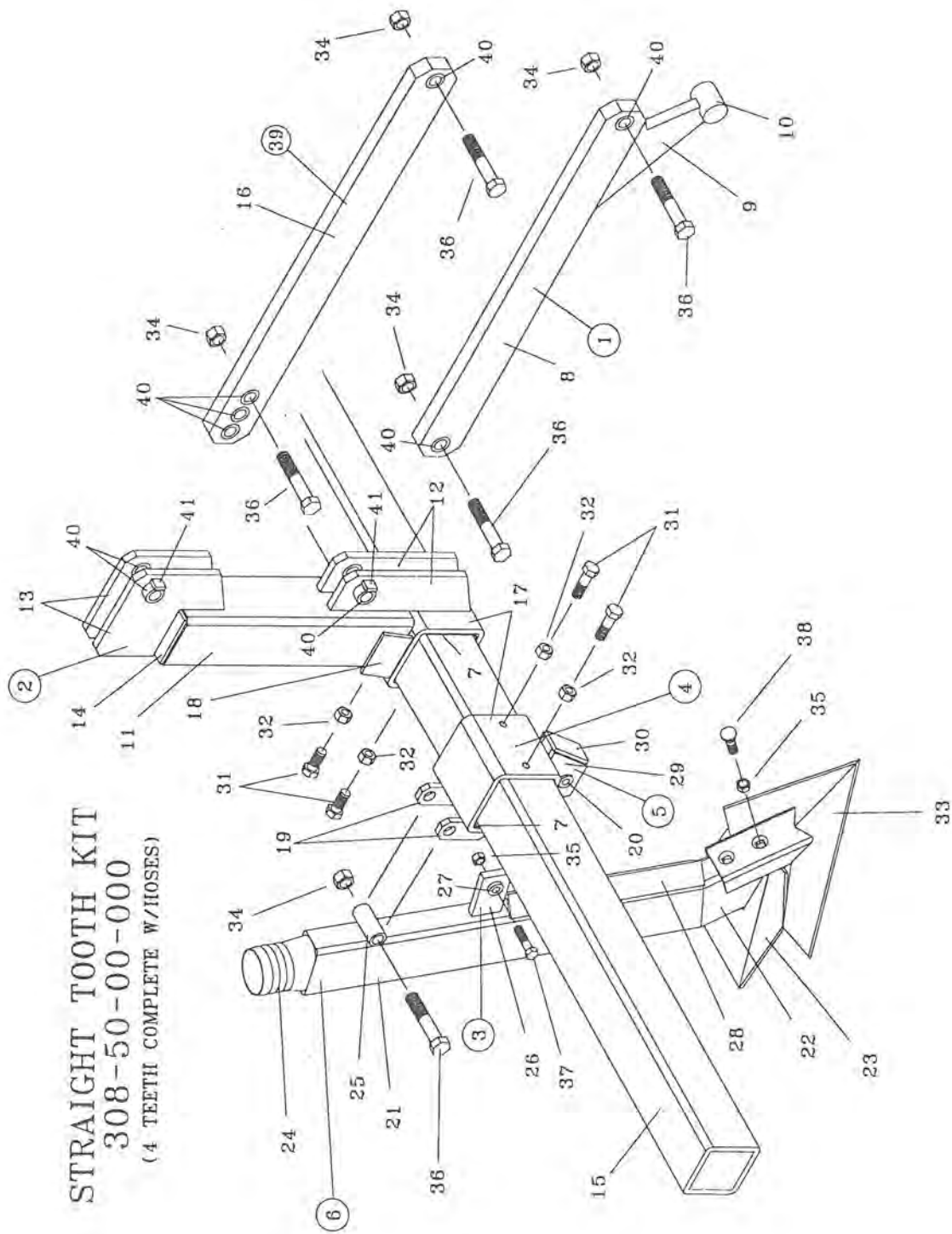
(4 TEETH COMPLETE W/4 HOSES)



INJECTOR TUBES & TEETH

<u>KEYS</u>	<u>PARTS NUMBER</u>	<u>DESCRIPTION</u>	<u>QTY</u>
1	307-0900-000	Injector Tube Assy	4
2	308-17-00-000	Vertical Tube Assy	2
3	308-16-00-000	Lower Lift Arm Assy	2
4	308-57-00-000	Upper Lift Arm Assy	2
5	307-09-00-022	Injector Tube	4
6	307-09-00-024	Injector Tube Lower Brkt	4
7	307-09-00-065	R.H. Upper Injector Tube Brkt	4
8	307-09-00-066	L.H. Upper Injector Tube Brkt	4
9	308-00-00-148	Long Injector Hose	2
	308-00-00-149	Short Injector Hose	2
10	308-19-00-052	Tool Bar	1
11	308-17-00-047	Vertical Tube	2
12	308-17-00-048	Lower Arm Brkts	4
13	308-17-00-051	Upper Arm Brkts	4
14	308-17-00-051	Vertical Tube End Cap	2
15	308-20-00-055	Tooth Holder Sleeve	2
16	308-17-00-101	Shim	4
17	308-17-00-106	Vertical Tube Gusset	4
18	308-57-00-165	Hardened Bushing	20
19	308-14-00-163	Stop	4
20	308-16-00-044	Lift Arms	2
21	308-16-00-045	Lug Brkt	2
22	308-16-00-046	Lug	2
23	308-57-00-164	Upper Lift Arm	2
24	R09553	12" Chisel Sweep (C/W Bolts)	4
25	R09566	2" Chisel Point (C/W Bolts)	*
26	R09563	1 1/4 X 2 X 26" Spring Tooth	4
27	R09565	Rigid Clamp W/Bolts	4
28	R02480	3" Super Clamp	8
29	R09561	1/2-13 Unc X 2 1/2" Plow Bolt	8
30	R07785	1/2" Hex Nut	8
31	R07805	1/2" Lock Washer	8
32	R07691	7/8 X 3" Hex Bolt	4
33	R07789	7/8" Hex Nut	4
34	R07809	7/8" Lock Washer	4
35	R07861	1/2-20 UNF X 1 1/2" Hex Bolt	4
36	R07815	1/2-20 UNF Hex Nut	4
37	R07658	3/4 X 4 Hex Bolt	8
38	R07885	3/4 Hex Lock Nut	8
39	R07634	7/16 X 4" Hex Bolt	8
40	R07891	7/16 Lock Nut	8

**STRAIGHT TOOTH KIT**  
**308-50-00-000**  
 (4 TEETH COMPLETE W/HOSES)

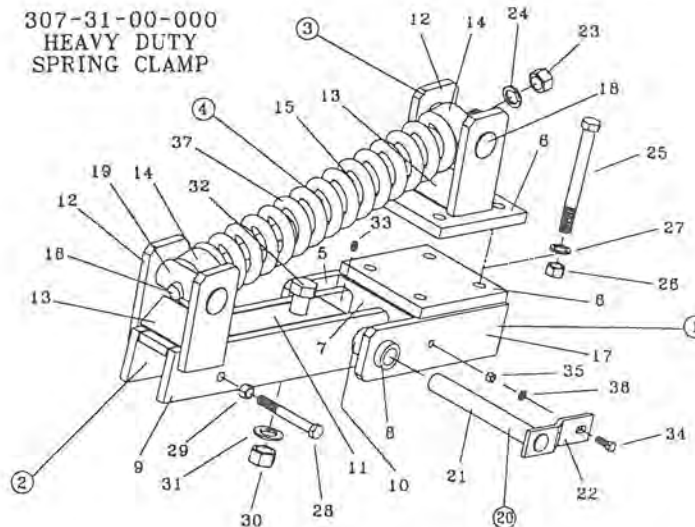


## LIFT ARM AND TEETH ASSEMBLIES

<u>KEYS</u>	<u>PARTS NUMBER</u>	<u>DESCRIPTION</u>	<u>QTY</u>
1	308-16-00-000	Lower Lift Arm Assy.	2
2	308-17-00-000	Vertical Tube Assy.	2
3	308-22-07-000	Shear Bushing Plate Assy.	4
4	308-20-00-000	Tooth Holder Sleeve Assy.	4
5	308-20-10-000	Shear Bushing Brkt Assy-LH.	4
	308-20-16-000	Shear Bushing Brkt Assy-RH	4
6	308-22-00-000	Tooth Assembly	4
7	308-17-00-101	Shim	12
8	308-16-00-044	Lift Arms	2
9	308-16-00-045	Lug Brkt	2
10	308-16-00-046	Lug	2
11	308-17-00-047	Vertical Tube	2
12	308-17-00-048	Lower Arm Brkts	4
13	308-17-00-049	Upper Arm Brkts	4
14	308-17-00-051	Vertical Tube End Cap	2
15	308-19-00-052	Tool Bar	1
16	308-57-00-164	Upper Lift Arm	2
17	308-20-00-055	Tooth Holder Sleeve	6
18	308-17-00-106	Vertical Tube Gusset	4
19	308-20-00-057	Tooth Sleeve Lug	8
20	308-20-10-060	Half Shear Bushing	8
21	308-22-00-061	Tooth Main Tube	4
22	308-22-00-062	Tooth Lower Tube	4
23	308-22-00-063	Tooth Pad	4
24	308-22-00-064	Adapter Tube	4
25	308-22-00-065	Tooth Pivot Bushing	4
26	308-22-07-066	Tooth Shear Bushing Plate	4
27	308-22-07-067	Shear Bushing	4
28	308-22-00-068	Cutter Bar	4
29	308-20-10-078	Shear Bushing Brkt	8
30	308-20-00-109	Brkt Reinforcing Bar	2
31	R07861	1/2 x 1 1/2 NF Hex Bolt	12
32	R07815	1/2 NF Hex Nut	12
33	R09553	12" Chisel Sweep	4
34	R07881	3/4 Lock Nuts	12
35	R07885	1/2 Lock Nut	12
36	R07658	3/4 x 4 Hex Bolt	12
37	R07640	1/2 x 2 1/2 Shear Bolt - Grade 5	4
38	R08141	1/2 x 1 1/4 Plow Bolt	8
39	308-57-00-000	Upper Lift Arm Assy	2
40	308-57-00-165	Hardened Bushing	20
41	308-14-00-163	Stop	4

## HEAVY DUTY SPRING CLAMP

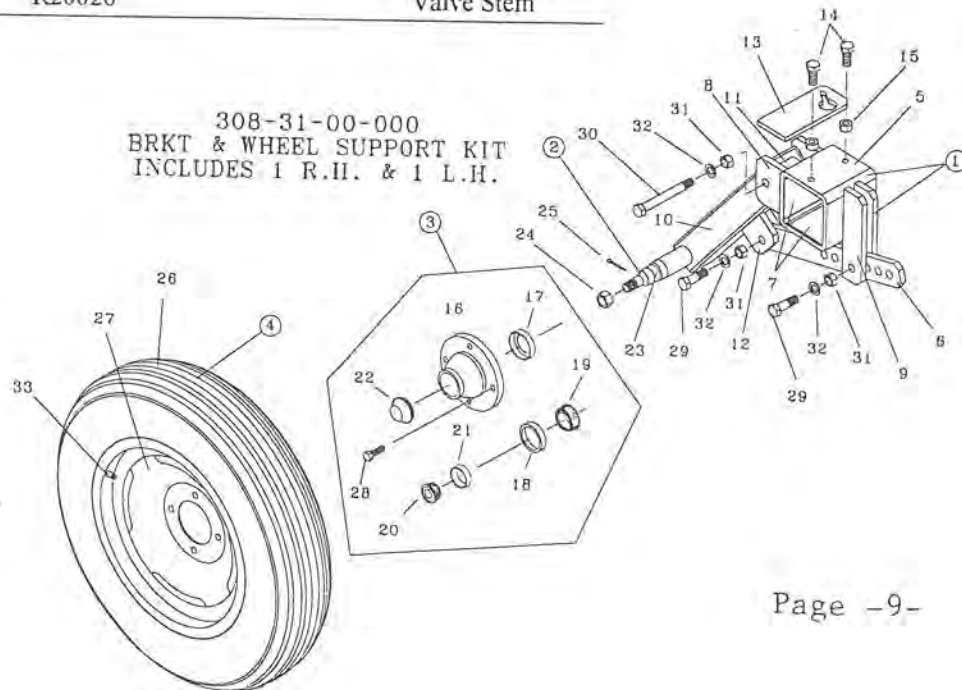
<u>KEYS</u>	<u>PARTS NUMBER</u>	<u>DESCRIPTION</u>	<u>QTY</u>
1	307-31-09-000	Main Brkt Assy.	1
2	307-31-10-000	Lower Brkt Assy.	1
3	307-31-11-000	Bolt Plate Assy.	1
4	307-31-12-000	Shaft Guide Assy.	1
5	307-31-09-069	Pivot Brkt	2
6	307-31-09-070	Bolt Plate	2
7	307-31-09-071	Spacer Bar	1
8	307-31-09-072	Outer Bushing	2
9	307-31-10-073	Lower Brkt	2
10	307-31-10-074	Inner Bushing	1
11	307-31-10-075	Lower Brkt Spacer Bar	1
12	307-31-10-076	Spring Pin Brkt	4
13	307-31-10-077	Angle Support	2
14	307-31-12-078	Spring Holder Block	2
15	307-31-12-079	Spring Shaft Guide	1
16	307-31-00-080	Spring Shaft	1
17	307-31-09-134	Pivot Brkt w/Hole	1
18	307-31-00-082	Upper Cross Pin	1
19	307-31-00-083	Lower Cross Pin	1
20	307-31-31-000	Pivot Shaft Assy.	1
21	307-31-31-132	Pivot Shaft	1
22	307-31-31-133	Pivot Shaft Brkt.	1
23	R07881	3/4" Lock Nut	1
24	R07827	3/4" Flat Washer	1
25	R07653	5/8 x 6 Hex Bolt	1
26	R07786	5/8 Hex Nut	1
27	R07806	5/8 Lock Washer	1
28	R07643	1/2 x 4 Hex Bolt	1
29	R07885	1/2" Lock Nut	1
30	R07789	7/8 Hex Nut	1
31	R07809	7/8 Lock Washer	1
32	R07691	7/8 x 3 Hex Bolt	1
33	R08183	1/4-28 UNF Straight Grease Fitting	1
34	R07675	3/8 x 1 1/4 Hex Bolt	1
35	R07783	3/8 Hex Nut	1
36	R07803	3/8 Lock Washer	1
37	R08029	Spring	1

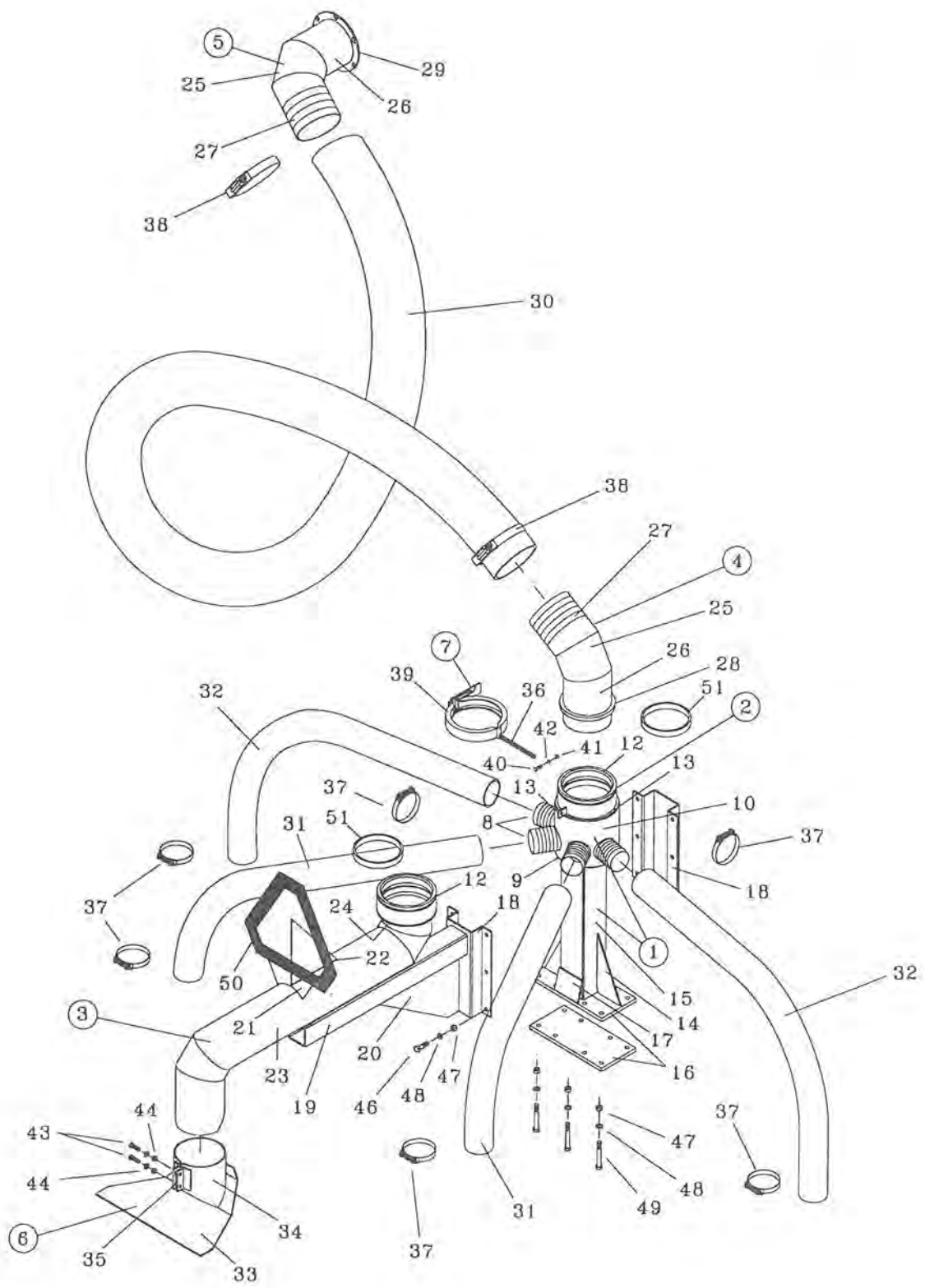




BRACKET AND WHEEL SUPPORT KIT

<u>KEYS</u>	<u>PARTS NUMBER</u>	<u>DESCRIPTION</u>	<u>QTY</u>
1	308-31-04-000	R.H. Brkt Assembly	1
	308-31-03-000	L.H. Brkt Assembly	1
2	308-31-05-000	R.H. Leg & Spindle Assy.	1
	308-31-06-000	L.H. Leg & Spindel Assy.	1
3	250-60-30-000	H-411 Hub Complete	2
4	250-65-00-000	5.9 x 15 Tire & Wheel Assy.	2
5	308-20-00-055	Tooth Holder Sleeve	2
6	308-31-00-089	Adjustment Bar	2
7	308-17-00-101	Shim	2
8	308-31-04-090	Brkt Lug	4
9	308-31-04-091	Brkt Adjustment Lug	4
10	308-31-05-092	Spindle Holder	1
11	308-31-05-093	Spindle Holder Bushing	2
12	308-31-05-094	Spindle Holder Brkts	4
13	308-31-04-156	Chain Lock	2
14	R07861	1/2 x 1 1/2 NF Hex Bolt	4
15	R07815	1/2 NF Hex Nut	4
16	R20160	H-411 Hub	2
17	R20144	Seal	2
18	R20129	Inner Cup	2
19	R20159	Inner Cone	2
20	R20158	Outer Cone	2
21	R20130	Outer Cup	2
22	R20143	Dust Cap	2
23	308-31-05-167	Spindle	2
24	R20142	Spindle Nut 3/4-16	2
25	R08002	5/32 x 1 1/2 Cotter Pin	2
26	R20016	5.9 x 15 Implement tire	2
27	R20057	4.5 x 15 - 4 Bolt Wheel	2
28	R20145	1/2 -20 x 1 1/4 Wheel Bolt	8
29	R07648	5/8 x 2 1/2 Hex Bolt	4
30	R07652	5/8 x 5 Hex Bolt	2
31	R07786	5/8 Hex Nut	10
32	R07806	5/8 Lock Washer	10
33	R20020	Valve Stem	2

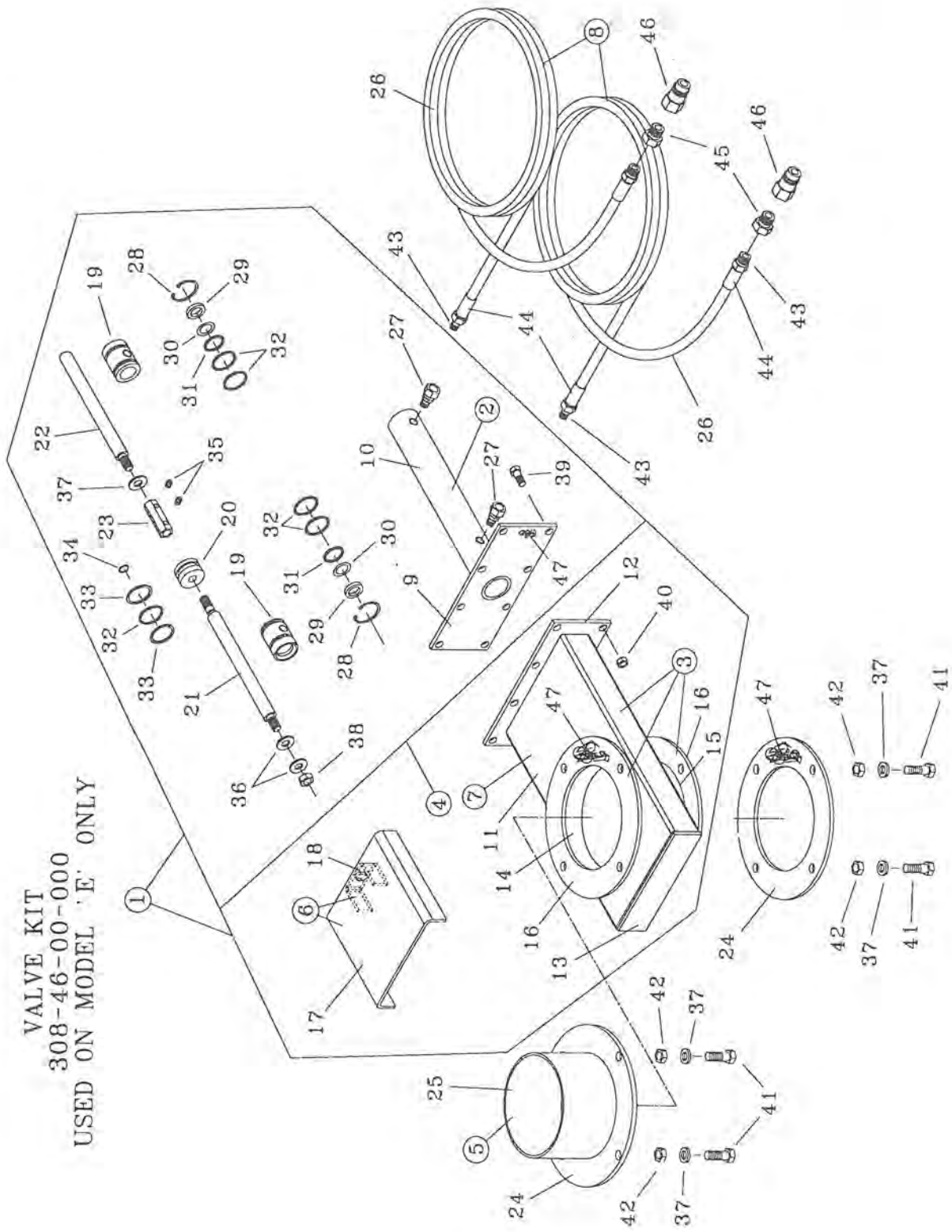




## SPLASH PLATE

<u>KEYS</u>	<u>PARTS NUMBER</u>	<u>DESCRIPTION</u>	<u>QTY</u>
1	308-58-00-000	Cannister & Brkt Assy.	1
2	308-58-01-000	Cannister Assy.	1
3	308-59-00-000	Discharge Extension Tube	1
4	308-60-00-000	Elbow & Ring Assy.	1
5	308-61-00-000	Top Elbow w/Barbed End Assy.	1
6	364-68-00-000	Splash Plate Assy.	1
7	250-97-00-000	Clamp & Chain Assy.	1
8	308-07-00-079	Half Barbed Connector	4
9	308-44-13-122	Canister Base	1
10	308-44-13-123	Cannister Tube	1
11	308-44-13-124	Cannister Top	1
12	250-96-01-296	Coupling Base Tube	2
13	250-96-00-298	Chain Lug	1
14	308-53-00-151	Gusset	2
15	308-53-00-152	Cannister Stand	1
16	308-58-00-168	Clamp Plate	2
17	308-58-00-169	Gusset	2
18	308-44-00-129	Clamp Brkt	2
19	308-54-00-154	Support Tube	1
20	308-54-00-155	Gusset	1
21	308-54-00-160	SMV Sign Holder	1
22	308-54-00-161	Gusset	1
23	308-59-00-170	Discharge Pipe	1
24	308-59-00-171	Base Ring	1
25	308-60-00-173	Elbow Middle Pc	2
26	308-60-00-172	Elbow Base Pc	2
27	308-60-00-174	Barbed Elbow End	2
28	250-95-00-295	Clamp Ring	1
29	364-19-00-087	Pipe Flange	1
30	308-00-00-134	Discharge Hose - Model 'E'	1
	308-00-00-150	Discharge Hose - 18 & 23000 Model 'E'	*
	308-00-00-141	Discharge Hose - Model 'D'	*
31	308-00-00-137	Short 3" Injector Hose	2
32	308-00-00-138	Long 3" Injector Hose	2
33	364-21-00-069	Splash Plate	1
34	364-68-00-215	Clamping tube	1
35	364-21-00-071	Clamping Tube Brkt	2
36	250-97-00-297	Clamp Chain	1
37	R02480	3" Super Clamp	8
38	R02482	6" Super Clamp	2
39	R02487	6" Ring Lock Clamp	1
40	R07619	3/8 x 1 Hex Bolt	1
41	R07886	3/8 Hex Lock Nut	1
42	R07832	3/8 Flat Washer	1
43	R07622	3/8 x 2 1/2 Hex Bolt	2
44	R07783	3/8 Hex Nut	2
45	R07803	3/8 Lock Washer	2
46	R07638	1/2 x 1 1/2 Hex Bolt	6
47	R07785	1/2" Hex Nut	14
48	R07805	1/2" Lock Washer	14
49	R07644	1/2 x 5 Hex Bolt	8
50	R09501	Slow Moving Vehicle Sign	1
51	R02366	6" Rubber Gasket	2

VALVE KIT  
 308-46-00-000  
 USED ON MODEL 'E' ONLY



## VALVE KIT

<u>KEYS</u>	<u>PARTS NUMBER</u>	<u>DESCRIPTION</u>	<u>QTY</u>
1	308-49-00-000	Valve w/ Indicator Rod Assy.	1
2	308-49-01-000	Cylinder Tube & Flange Assy.	1
3	308-49-02-000	Valve Body Assy. w/Flanges	1
4	308-49-03-000	Cylinder & Indicator Rod Assy.	1
5	308-46-14-000	Flange Assy.	1
6	275-17-00-000	Valve Gate Assy.	1
7	250-79-35-000	Valve Body Assy.	1
8	307-20-00-000	Hydraulic Hose Assy.	2
9	275-01-09-093	Cylinder Flange	1
10	308-49-01-146	Cylinder Tube	1
11	250-79-35-189	Valve Housing	1
12	275-01-02-012	Valve Flange	1
13	275-01-02-062	Valve End Cap	1
14	308-49-02-143	Valve Extension Pipe	1
15	308-49-02-144	Valve Extension Pipe-short	1
16	308-49-02-145	Flange	2
17	275-17-00-080	Valve Gate	1
18	275-17-00-081	Valve Gate Brkt	1
19	340-36-00-434	Wiper Block	2
20	340-36-00-435	Cylinder Plunger	1
21	250-70-00-158	Cylinder Shaft	1
22	307-36-00-099	Indicator Rod	1
23	340-50-00-469	Shaft Connector	1
24	308-46-14-135	Flange	2
25	308-46-14-136	Flange Tube	1
26	307-20-00-059	Hydraulic Hose	2
27	R21287	1/4M x 3/8F Straight Swivel Adapter	2
28	R07967	Retaining Ring	2
29	R20774	Rod Wiper	2
30	R20862	Back Up #210	2
31	R20771	O Ring #11-210	2
32	R20866	O Ring #11-218	3
33	R20867	Back Up #8-218	2
34	R20865	O Ring #11-014	1
35	R07906	5/16 x 3/8 Set Screws	2
36	R07853	1/2" SAE Flat Washer	2
37	R07825	1/2" Flat Washer	9
38	R07885	1/2" 2 Way Lock Nut	1
39	R07619	3/8 x 1 Hex Bolt	8
40	R07794	3/8" Flange Nut	8
41	R07674	1/2 - 13 UNC x 1 1/4 Hex Bolt	8
42	R07785	1/2" Hex Nut	8
43	R20803	3/8 Solid Stem	4
44	R21231	Ferulle	4
45	R02043	1/2 x 3/8 Bushing	2
46	R21342	Pioneer Coupler	2
47	R04100	Silicone	1

FAN HOUSING - FOR D MODEL ONLY

<u>KEYS</u>	<u>PARTS NUMBER</u>	<u>DESCRIPTION</u>	<u>QTY</u>
1	308-47-00-000	Fan Housing Assy.	1
2	364-54-00-000	Seal & Plate Kit	2
3	308-47-00-018	Housing Ring	1
4	308-07-00-000	Housing Cover	1
5	308-07-00-020	Drain Pipe	1
6	308-47-00-139	Housing Band	1
7	308-47-00-140	Housing Tube	1
8	364-54-00-173	Seal Plate	2
9	308-00-00-142	Stainless Steel Sleeve	2
10	R02284	1 1/2" ABS Plug	1
11	R07733	7/16 x 1 1/2 Carriage Bolt	4
12	R07731	7/16 x 1 Carriage Bolt	4
13	R07784	7/16 Hex Nut	8
14	R07804	7/16 Lock Washer	8
15	R20184	1 1/4 Flange Brg.	1

