

April 4, 1997 *Office Copy*  
*Apr 7 = 18 made*  
*June 3 - 10 "*

Date Purchased \_\_\_\_\_ Machine Serial No. \_\_\_\_\_

Options \_\_\_\_\_

PLEASE NOTE:

The key number system in this parts book is arranged as follows:

- 0 -- Key number with one circle denotes main assemblies
- Key Numbers not circled are individual parts.

Please order parts by number

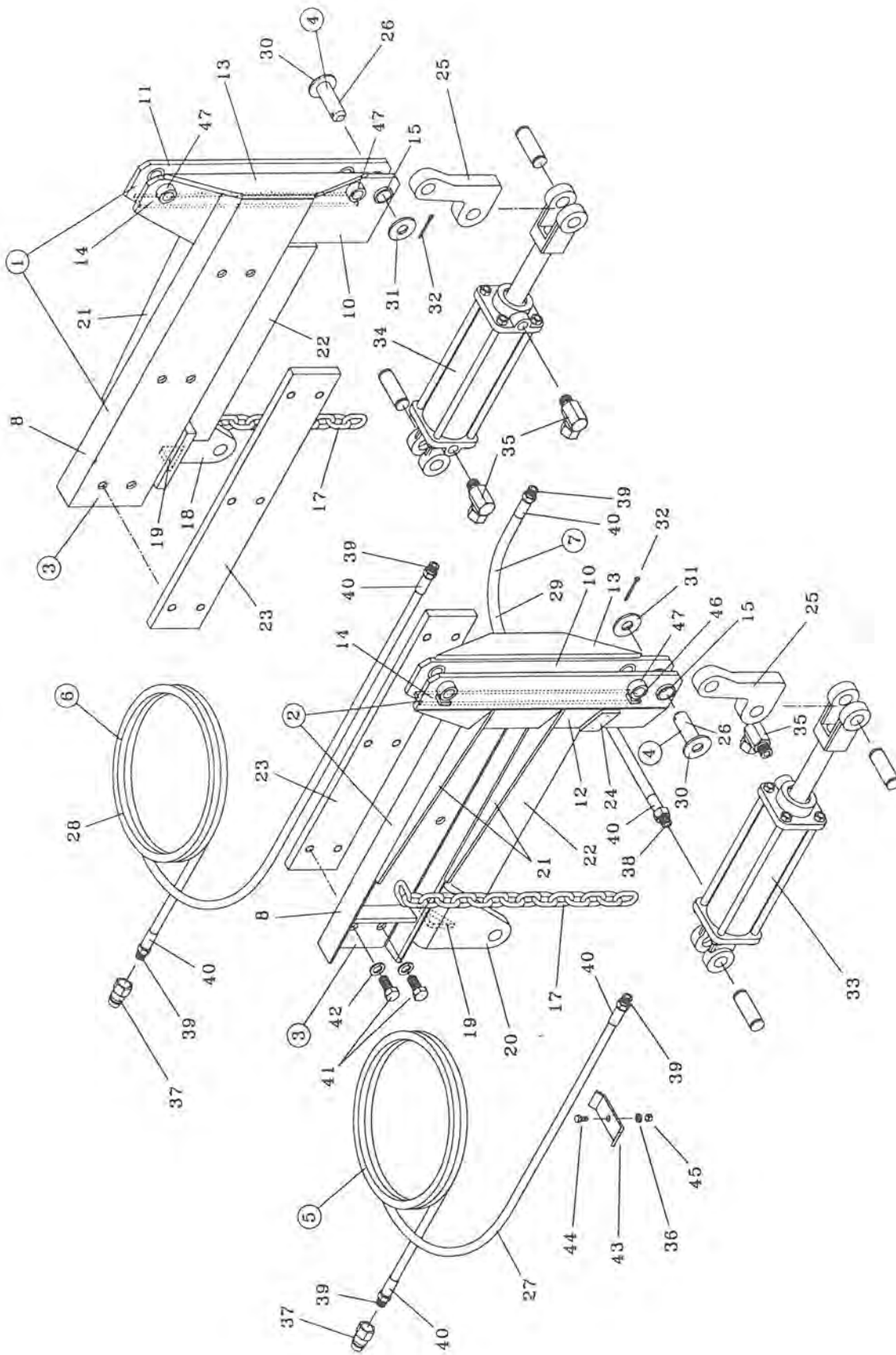
HUSKY MANURE

REAR MOUNT SOIL INJECTOR

OPERATING INSTRUCTIONS:

Your Husky Rear Mounted Soil Injector is designed to open up the ground wide enough to pump in a stream of manure below the ground surface. Although it is a well built machine it is not indestructible and should be used with common sense.

1. Do not try to operate in very hard or stony ground.
2. Volume can be controlled by P.T.O. speeds and ground travel speed as well as how far you open valve.
3. Your P.T.O. shear pin will protect the injector pump however you should try and not inject foreign material, stones etc. Pump can be run at either 540 or 1000 r.p.m with some tractors it may be necessary to stop P.T.O. or slow it down while turning avoid shearing pins.
4. EXTREME DANGER - Never enter a dirty manure spreader or storage tank - one breath of hydrogen sulphide gas is enough to kill.



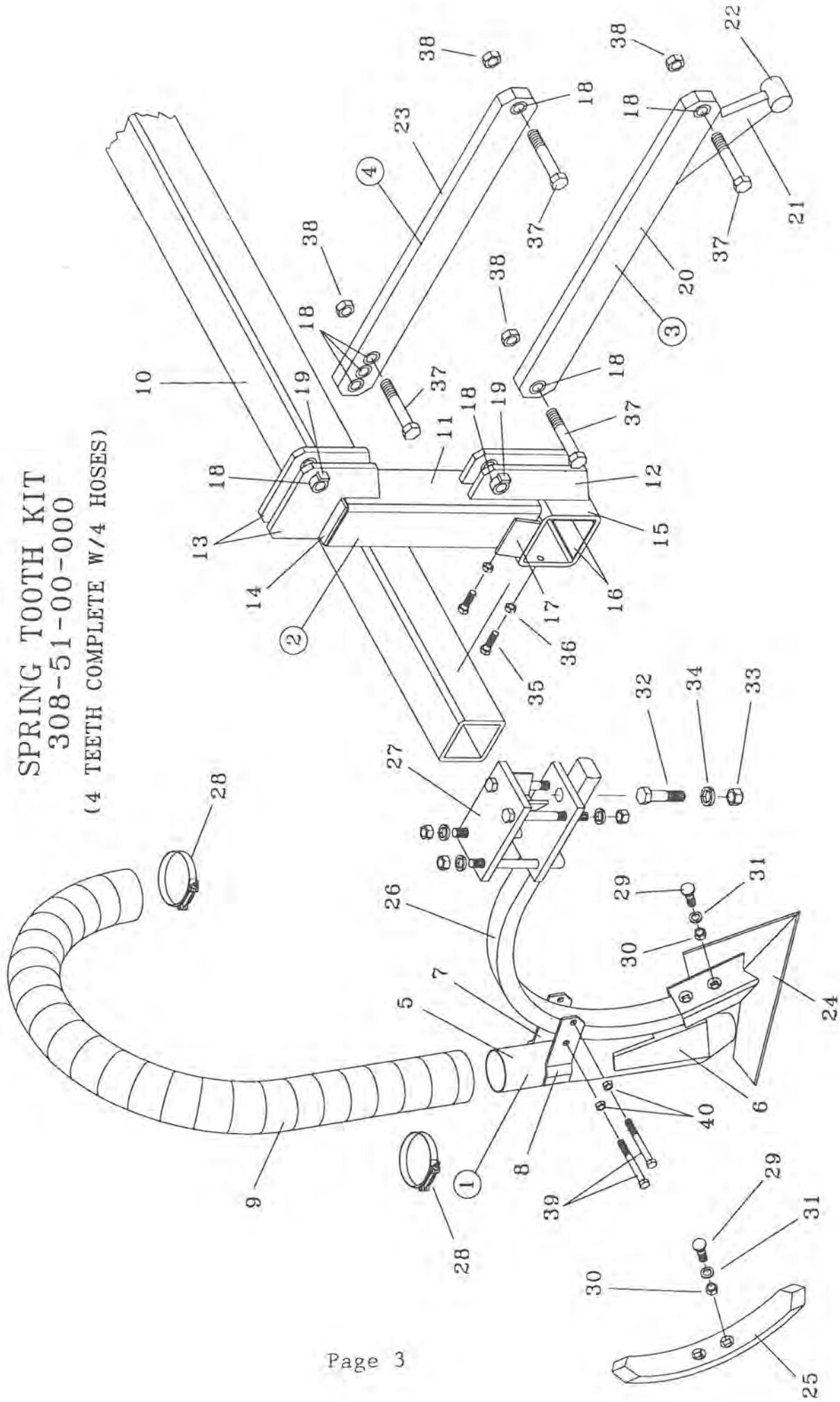
## MOUNTING BRACKETS

| <u>Keys</u> | <u>Parts Number</u> | <u>Description</u>                       | <u>Qty</u> |
|-------------|---------------------|--|------------|
| 1           | 308-14-00-000       | R.H. Mounting Brkt Complete              | 1          |
| 2           | 308-15-00-000       | L.H. Mounting Brkt Complete              | 1          |
| 3           | 308-14-01-000       | Sill Mounting Brkt Assembly              | 2          |
| 4           | 308-35-00-000       | Cylinder Lug Pin Assembly                | 2          |
| 5           | 308-37-00-000       | Hyd Hose - All Vacuum Spreaders          | *          |
|             | 308-28-00-000       | Hyd Hose - All Model 'E' & 'D' Spreaders | 1          |
| 6           | 308-29-00-000       | Hyd Hose - All Model 'E' & 'D' Spreaders | 1          |
|             | 308-36-00-000       | Hyd Hose - All Vacuum Spreaders          | *          |
| 7           | 308-30-00-000       | Hyd Hose                                 | 1          |
| 8           | 308-14-01-031       | Sill Mounting Channel                    | 2          |
| 9           | 308-14-01-032       | Mounting Channel Reinforcing             | 2          |
| 10          | 308-14-00-033       | Inner Vertical Arm                       | 2          |
| 11          | 308-14-00-034       | Outer Vertical Arm R.H.                  | 1          |
| 12          | 308-15-00-100       | Outer Vertical Arm L.H.                  | 1          |
| 13          | 308-14-00-035       | Vertical Arm Gusset                      | 2          |
| 14          | 308-14-00-036       | Vertical Arm Filler Plate                | 2          |
| 15          | 308-14-00-037       | Bushing                                  | 4          |
| 16          | 308-14-00-038       | Mounting Brkt Gusset                     | 4          |
| 17          | 308-14-00-039       | Safety Chain                             | 2          |
| 18          | 308-14-00-040       | Cylinder Brkt R.H.                       | 1          |
| 19          | 308-14-00-041       | Cylinder Brkt Gusset                     | 2          |
| 20          | 308-15-00-042       | Cylinder Brkt L.H.                       | 1          |
| 21          | 308-14-00-105       | Outer Arm Gusset                         | 4          |
| 22          | 308-14-00-107       | Mounting Brkt Brace                      | 2          |
| 23          | 308-00-00-043       | Sill Bolt Plate                          | 2          |
| 24          | 340-01-00-498       | Serial Number Back Plate                 | 1          |
| 25          | 308-00-00-077       | Cylinder Lug                             | 2          |
| 26          | 308-35-00-108       | Cylinder Lug Pin                         | 2          |
| 27          | 308-37-00-111       | Hyd Hose                                 | *          |
|             | 308-28-00-081       | Hyd Hose                                 | 1          |
| 28          | 308-29-00-082       | Hyd Hose                                 | 1          |
|             | 308-36-00-110       | Hyd Hose 14000L Vac                      | *          |
| 29          | 308-30-00-083       | Hyd Hose - All Sizes                     | 1          |
| 30          | R07827              | 3/4" Flat Washer                         | 2          |
| 31          | R07828              | 1" Flat Washer                           | 2          |
| 32          | R08013              | 3/16 x 2 Cotter Pin                      | 2          |
| 33          | R21507              | 32PTR08 Phasing Cylinder                 | 1          |
| 34          | R21506              | 30PTR08 Phasing Cylinder                 | 1          |
| 35          | R21367              | 1/2 x 90 Deg. NPT Steel Elbow            | 3          |
| 36          | R07801              | 1/4 Lock Washer                          | 4          |
| 37          | R21342              | Pioneer Ends                             | 2          |
| 38          | R20805              | 1/2 - 14 NPT Male Stem - Swivel          | 1          |
| 39          | R20810              | 1/2 - 14 NPT Male Stem - Solid           | 5          |
| 40          | R20811              | 3/8" Ferrule                             | 6          |
| 41          | R07673              | 5/8 x 1 1/4 Hex Bolt                     | 12         |
| 42          | R07806              | 5/8 Lock Washer                          | 12         |
| 43          | 351-00-00-009       | Clamp                                    | 4          |
| 44          | R0767675            | 3/8 x 1 1/4 Hex Bolt                     | 4          |
| 45          | R07783              | 3/8 Hex Nut                              | 4          |
| 46          | 308-14-00-163       | Stop                                     | 4          |
| 47          | 308-57-00-165       | Hardened Bushings                        | 8          |

(\*Optional)

# SPRING TOOTH KIT 308-51-00-000

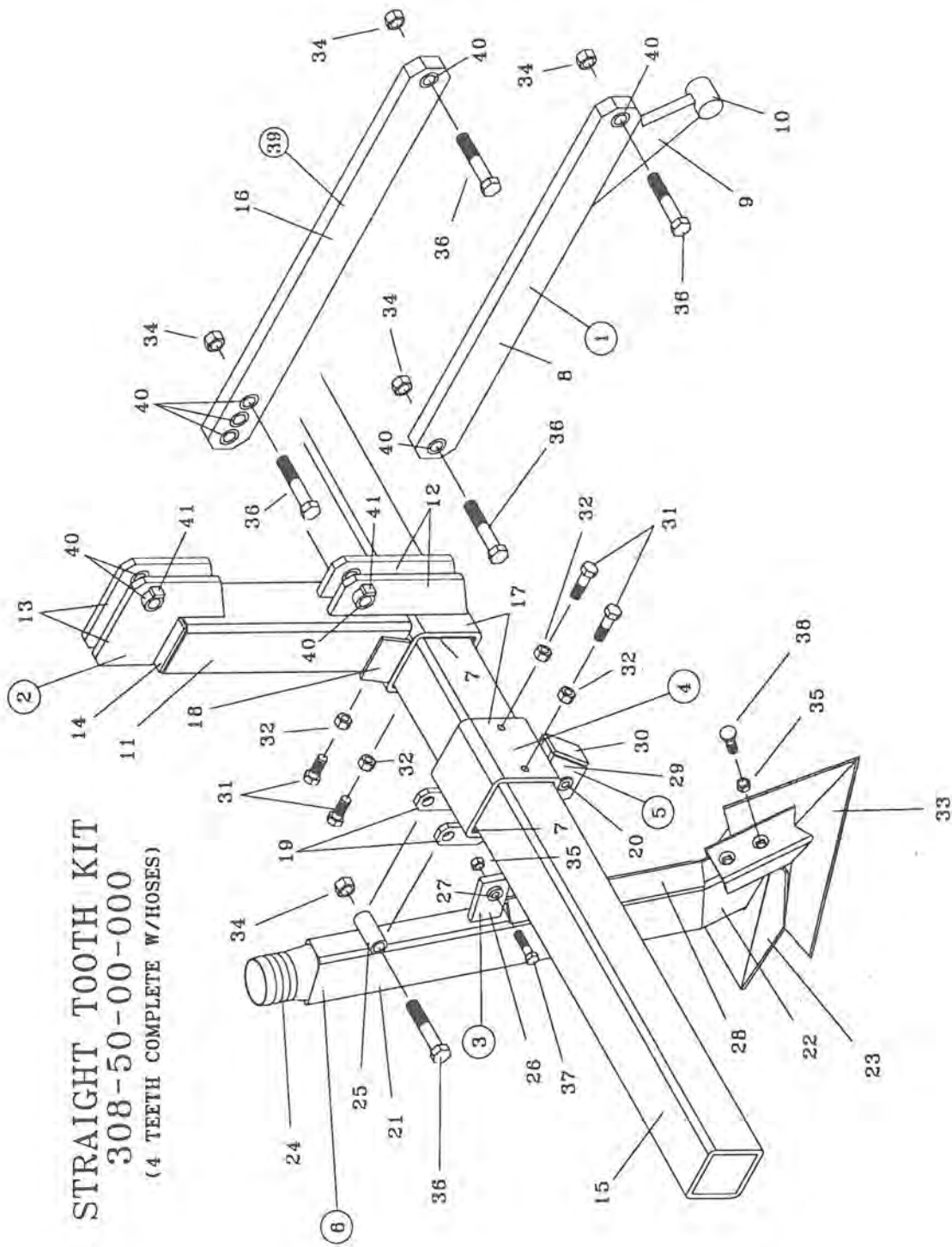
(4 TEETH COMPLETE W/4 HOSES)



## INJECTOR TUBES & TEETH

| <u>Keys</u> | <u>Parts Number</u> | <u>Description</u>            | <u>Qty</u> |
|-------------|---------------------|-------------------------------|------------|
| 1           | 307-0900-000        | Injector Tube Assy            | 4          |
| 2           | 308-17-00-000       | Vertical Tube Assy            | 2          |
| 3           | 308-16-00-000       | Lower Lift Arm Assy           | 2          |
| 4           | 308-57-00-000       | Upper Lift Arm Assy           | 2          |
| 5           | 307-09-00-022       | Injector Tube                 | 4          |
| 6           | 307-09-00-024       | Injector Tube Lower Brkt      | 4          |
| 7           | 307-09-00-065       | R.H. Upper Injector Tube Brkt | 4          |
| 8           | 307-09-00-066       | L.H. Upper Injector Tube Brkt | 4          |
| 9           | 308-00-00-148       | Long Injector Hose            | 2          |
|             | 308-00-00-149       | Short Injector Hose           | 2          |
| 10          | 308-19-00-052       | Tool Bar                      | 1          |
| 11          | 308-17-00-047       | Vertical Tube                 | 2          |
| 12          | 308-17-00-048       | Lower Arm Brkts               | 4          |
| 13          | 308-17-00-051       | Upper Arm Brkts               | 4          |
| 14          | 308-17-00-051       | Vertical Tube End Cap         | 2          |
| 15          | 308-20-00-055       | Tooth Holder Sleeve           | 2          |
| 16          | 308-17-00-101       | Shim                          | 4          |
| 17          | 308-17-00-106       | Vertical Tube Gusset          | 4          |
| 18          | 308-57-00-165       | Hardened Bushing              | 20         |
| 19          | 308-14-00-163       | Stop                          | 4          |
| 20          | 308-16-00-044       | Lift Arms                     | 2          |
| 21          | 308-16-00-045       | Lug Brkt                      | 2          |
| 22          | 308-16-00-046       | Lug                           | 2          |
| 23          | 308-57-00-164       | Upper Lift Arm                | 2          |
| 24          | R09553              | 12" Chisel Sweep (C/W Bolts)  | 4          |
| 25          | R09566              | 2" Chisel Point (C/W Bolts)   | *          |
| 26          | R09563              | 1 1/4 X 2 X 26" Spring Tooth  | 4          |
| 27          | R09565              | Rigid Clamp W/Bolts           | 4          |
| 28          | R02480              | 3" Super Clamp                | 8          |
| 29          | R09561              | 1/2-13 Unc X 2 1/2" Plow Bolt | 8          |
| 30          | R07785              | 1/2" Hex Nut                  | 8          |
| 31          | R07805              | 1/2" Lock Washer              | 8          |
| 32          | R07691              | 7/8 X 3" Hex Bolt             | 4          |
| 33          | R07789              | 7/8" Hex Nut                  | 4          |
| 34          | R07809              | 7/8" Lock Washer              | 4          |
| 35          | R07861              | 1/2-20 UNF X 1 1/2" Hex Bolt  | 4          |
| 36          | R07815              | 1/2-20 UNF Hex Nut            | 4          |
| 37          | R07658              | 3/4 X 4 Hex Bolt              | 8          |
| 38          | R07885              | 3/4 Hex Lock Nut              | 8          |
| 39          | R07634              | 7/16 X 4" Hex Bolt            | 8          |
| 40          | R07891              | 7/16 Lock Nut                 | 8          |

STRAIGHT TOOTH KIT  
 308-50-00-000  
 (4 TEETH COMPLETE W/HOSES)



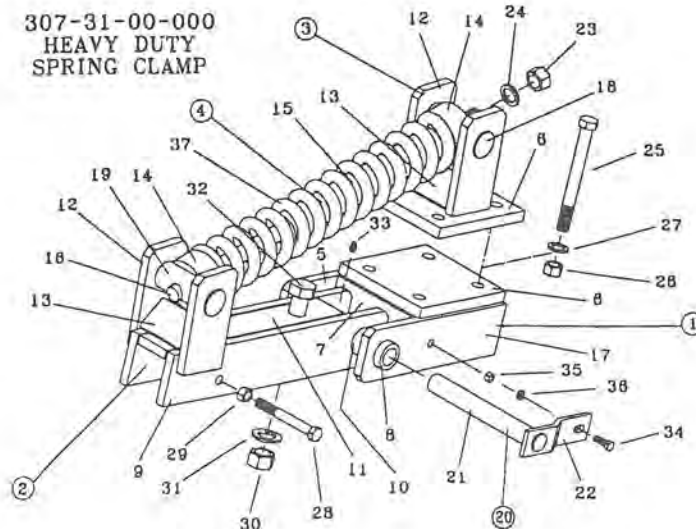


**LIFT ARM AND TEETH ASSEMBLIES**

| <u>Keys</u> | <u>Parts Number</u> | <u>Description</u>               | <u>Qty</u> |
|-------------|---------------------|----------------------------------|------------|
| 1           | 308-16-00-000       | Lower Lift Arm Assy.             | 2          |
| 2           | 308-17-00-000       | Vertical Tube Assy.              | 2          |
| 3           | 308-22-07-000       | Shear Bushing Plate Assy.        | 4          |
| 4           | 308-20-00-000       | Tooth Holder Sleeve Assy.        | 4          |
| 5           | 308-20-10-000       | Shear Bushing Brkt Assy-LH.      | 4          |
|             | 308-20-16-000       | Shear Bushing Brkt Assy-RH       | 4          |
| 6           | 308-22-00-000       | Tooth Assembly                   | 4          |
| 7           | 308-17-00-101       | Shim                             | 12         |
| 8           | 308-16-00-044       | Lift Arms                        | 2          |
| 9           | 308-16-00-045       | Lug Brkt                         | 2          |
| 10          | 308-16-00-046       | Lug                              | 2          |
| 11          | 308-17-00-047       | Vertical Tube                    | 2          |
| 12          | 308-17-00-048       | Lower Arm Brkts                  | 4          |
| 13          | 308-17-00-049       | Upper Arm Brkts                  | 4          |
| 14          | 308-17-00-051       | Vertical Tube End Cap            | 2          |
| 15          | 308-19-00-052       | Tool Bar                         | 1          |
| 16          | 308-57-00-164       | Upper Lift Arm                   | 2          |
| 17          | 308-20-00-055       | Tooth Holder Sleeve              | 6          |
| 18          | 308-17-00-106       | Vertical Tube Gusset             | 4          |
| 19          | 308-20-00-057       | Tooth Sleeve Lug                 | 8          |
| 20          | 308-20-10-060       | Half Shear Bushing               | 8          |
| 21          | 308-22-00-061       | Tooth Main Tube                  | 4          |
| 22          | 308-22-00-062       | Tooth Lower Tube                 | 4          |
| 23          | 308-22-00-063       | Tooth Pad                        | 4          |
| 24          | 308-22-00-064       | Adapter Tube                     | 4          |
| 25          | 308-22-00-065       | Tooth Pivot Bushing              | 4          |
| 26          | 308-22-07-066       | Tooth Shear Bushing Plate        | 4          |
| 27          | 308-22-07-067       | Shear Bushing                    | 4          |
| 28          | 308-22-00-068       | Cutter Bar                       | 4          |
| 29          | 308-20-10-078       | Shear Bushing Brkt               | 8          |
| 30          | 308-20-00-109       | Brkt Reinforcing Bar             | 2          |
| 31          | R07861              | 1/2 x 1 1/2 NF Hex Bolt          | 12         |
| 32          | R07815              | 1/2 NF Hex Nut                   | 12         |
| 33          | R09553              | 12" Chisel Sweep                 | 4          |
| 34          | R07881              | 3/4 Lock Nuts                    | 12         |
| 35          | R07885              | 1/2 Lock Nut                     | 12         |
| 36          | R07658              | 3/4 x 4 Hex Bolt                 | 12         |
| 37          | R07640              | 1/2 x 2 1/2 Shear Bolt - Grade 5 | 4          |
| 38          | R08141              | 1/2 x 1 1/4 Plow Bolt            | 8          |
| 39          | 308-57-00-000       | Upper Lift Arm Assy              | 2          |
| 40          | 308-57-00-165       | Hardened Bushing                 | 20         |
| 41          | 308-14-00-163       | Stop                             | 4          |

## HEAVY DUTY SPRING CLAMP

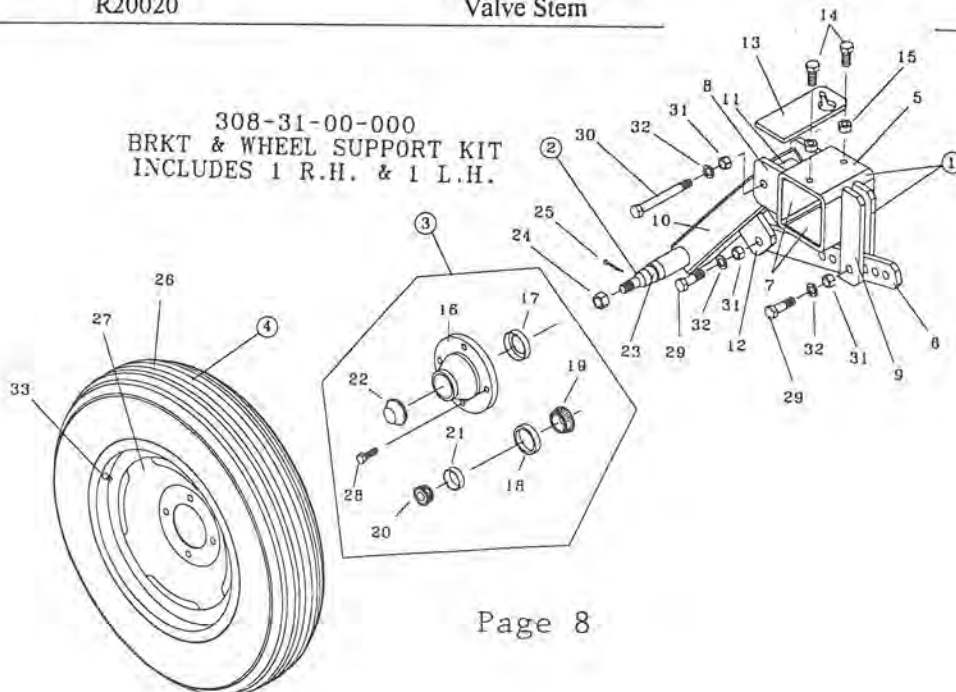
| <u>Keys</u> | <u>Parts Number</u> | <u>Description</u>                 | <u>Qty</u> |
|-------------|---------------------|------------------------------------|------------|
| 1           | 307-31-09-000       | Main Brkt Assy.                    | 1          |
| 2           | 307-31-10-000       | Lower Brkt Assy.                   | 1          |
| 3           | 307-31-11-000       | Bolt Plate Assy.                   | 1          |
| 4           | 307-31-12-000       | Shaft Guide Assy.                  | 1          |
| 5           | 307-31-09-069       | Pivot Brkt                         | 2          |
| 6           | 307-31-09-070       | Bolt Plate                         | 2          |
| 7           | 307-31-09-071       | Spacer Bar                         | 1          |
| 8           | 307-31-09-072       | Outer Bushing                      | 2          |
| 9           | 307-31-10-073       | Lower Brkt                         | 2          |
| 10          | 307-31-10-074       | Inner Bushing                      | 1          |
| 11          | 307-31-10-075       | Lower Brkt Spacer Bar              | 1          |
| 12          | 307-31-10-076       | Spring Pin Brkt                    | 4          |
| 13          | 307-31-10-077       | Angle Support                      | 2          |
| 14          | 307-31-12-078       | Spring Holder Block                | 2          |
| 15          | 307-31-12-079       | Spring Shaft Guide                 | 1          |
| 16          | 307-31-00-080       | Spring Shaft                       | 1          |
| 17          | 307-31-09-134       | Pivot Brkt w/Hole                  | 1          |
| 18          | 307-31-00-082       | Upper Cross Pin                    | 1          |
| 19          | 307-31-00-083       | Lower Cross Pin                    | 1          |
| 20          | 307-31-31-000       | Pivot Shaft Assy.                  | 1          |
| 21          | 307-31-31-132       | Pivot Shaft                        | 1          |
| 22          | 307-31-31-133       | Pivot Shaft Brkt                   | 1          |
| 23          | R07881              | 3/4" Lock Nut                      | 1          |
| 24          | R07827              | 3/4" Flat Washer                   | 1          |
| 25          | R07653              | 5/8 x 6 Hex Bolt                   | 1          |
| 26          | R07786              | 5/8 Hex Nut                        | 1          |
| 27          | R07806              | 5/8 Lock Washer                    | 1          |
| 28          | R07643              | 1/2 x 4 Hex Bolt                   | 1          |
| 29          | R07885              | 1/2" Lock Nut                      | 1          |
| 30          | R07789              | 7/8 Hex Nut                        | 1          |
| 31          | R07809              | 7/8 Lock Washer                    | 1          |
| 32          | R07691              | 7/8 x 3 Hex Bolt                   | 1          |
| 33          | R08183              | 1/4-28 UNF Straight Grease Fitting | 1          |
| 34          | R07675              | 3/8 x 1 1/4 Hex Bolt               | 1          |
| 35          | R07783              | 3/8 Hex Nut                        | 1          |
| 36          | R07803              | 3/8 Lock Washer                    | 1          |
| 37          | R08029              | Spring                             | 1          |

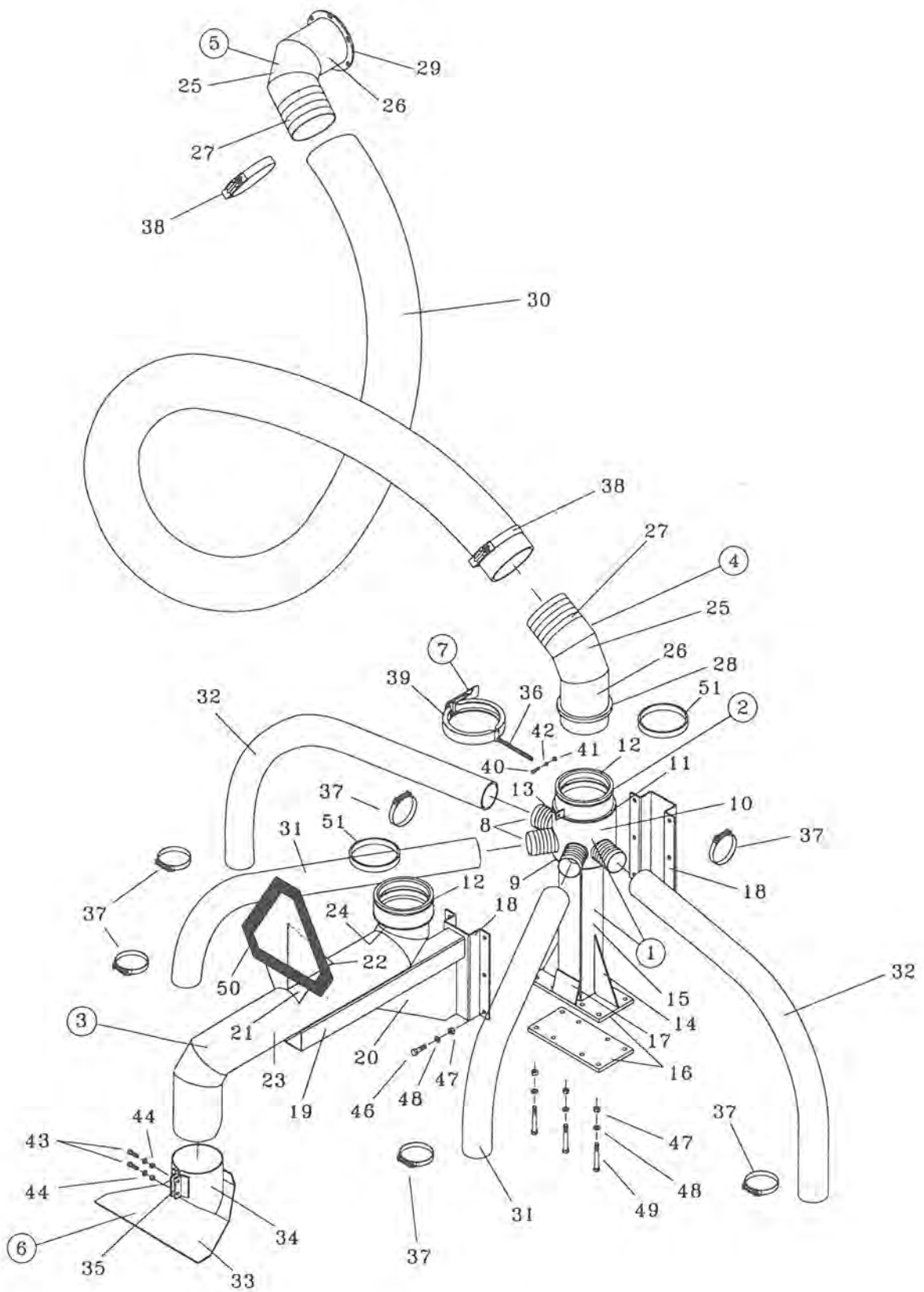




## BRACKET AND WHEEL SUPPORT KIT

| <u>Keys</u> | <u>Parts Number</u> | <u>Description</u>          | <u>Qty</u> |
|-------------|---------------------|-----------------------------|------------|
| 1           | 308-31-04-000       | R.H. Brkt Assy              | 1          |
|             | 308-31-03-000       | L.H. Brkt Assy              | 1          |
| 2           | 308-31-05-000       | R.H. Leg & Spindle Assy.    | 1          |
|             | 308-31-06-000       | L.H. Leg & Spindel Assy.    | 1          |
| 3           | 250-60-30-000       | H-411 Hub Complete          | 2          |
| 4           | 250-65-00-000       | 5.9 x 15 Tire & Wheel Assy. | 2          |
| 5           | 308-20-00-055       | Tooth Holder Sleeve         | 2          |
| 6           | 308-31-00-089       | Adjustment Bar              | 2          |
| 7           | 308-17-00-101       | Shim                        | 2          |
| 8           | 308-31-04-090       | Brkt Lug                    | 4          |
| 9           | 308-31-04-091       | Brkt Adjustment Lug         | 4          |
| 10          | 308-31-05-092       | Spindle Holder              | 1          |
| 11          | 308-31-05-093       | Spindle Holder Bushing      | 2          |
| 12          | 308-31-05-094       | Spindle Holder Brkts        | 4          |
| 13          | 308-31-04-156       | Chain Lock                  | 2          |
| 14          | R07861              | 1/2 x 1 1/2 NF Hex Bolt     | 4          |
| 15          | R07815              | 1/2 NF Hex Nut              | 4          |
| 16          | R20160              | H-411 Hub                   | 2          |
| 17          | R20144              | Seal                        | 2          |
| 18          | R20129              | Inner Cup                   | 2          |
| 19          | R20159              | Inner Cone                  | 2          |
| 20          | R20158              | Outer Cone                  | 2          |
| 21          | R20130              | Outer Cup                   | 2          |
| 22          | R20143              | Dust Cap                    | 2          |
| 23          | 308-31-05-167       | Spindle                     | 2          |
| 24          | R20142              | Spindle Nut 3/4-16          | 2          |
| 25          | R08002              | 5/32 x 1 1/2 Cotter Pin     | 2          |
| 26          | R20016              | 5.9 x 15 Implement tire     | 2          |
| 27          | R20057              | 4.5 x 15 - 4 Bolt Wheel     | 2          |
| 28          | R20145              | 1/2 -20 x 1 1/4 Wheel Bolt  | 8          |
| 29          | R07648              | 5/8 x 2 1/2 Hex Bolt        | 4          |
| 30          | R07652              | 5/8 x 5 Hex Bolt            | 2          |
| 31          | R07786              | 5/8 Hex Nut                 | 10         |
| 32          | R07806              | 5/8 Lock Washer             | 10         |
| 33          | R20020              | Valve Stem                  | 2          |

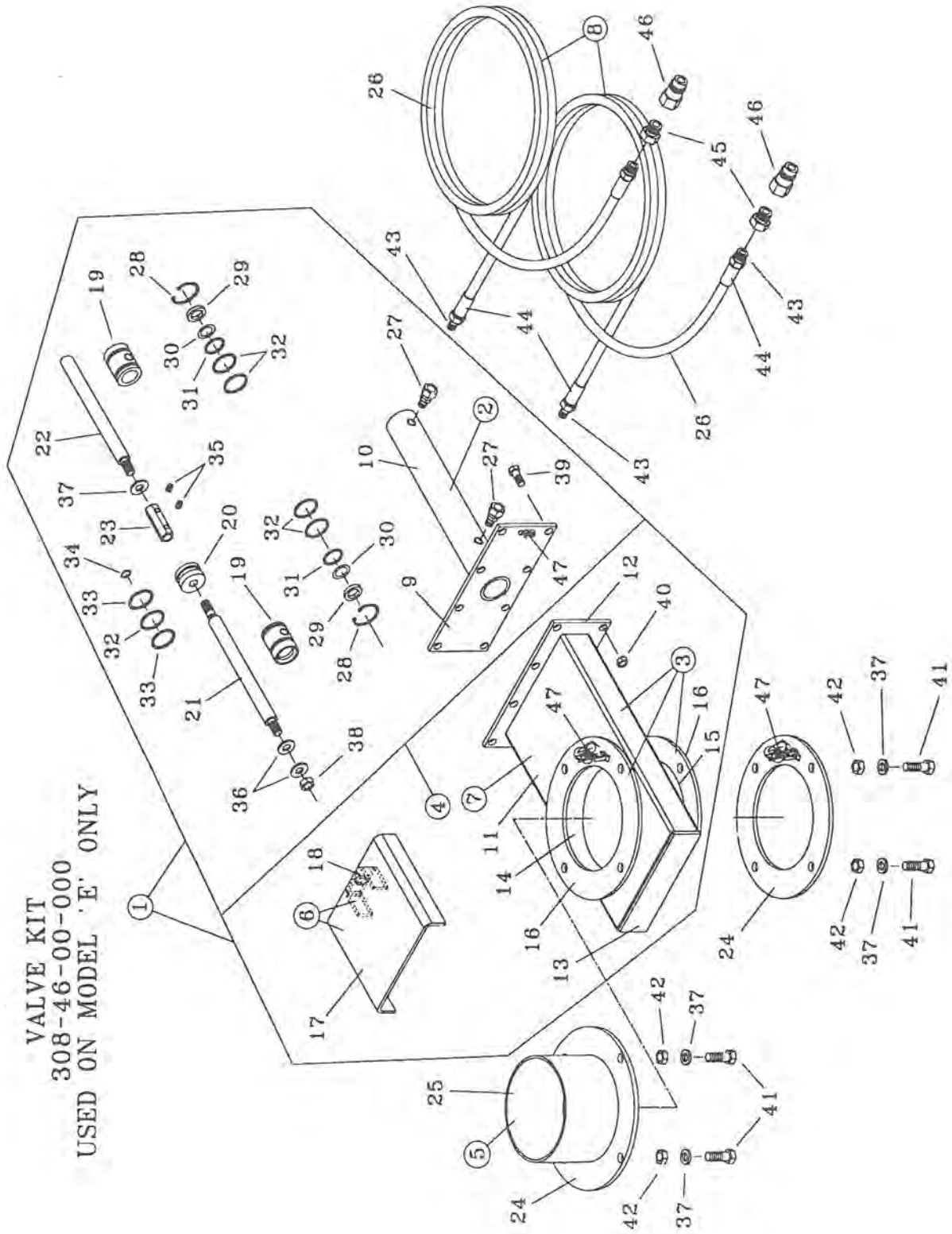




**SPLASH PLATE**

| <u>Keys</u> | <u>Parts Number</u> | <u>Description</u>                    | <u>Qty</u> |
|-------------|---------------------|---------------------------------------|------------|
| 1           | 308-58-00-000       | Cannister & Brkt Assy.                | 1          |
| 2           | 308-58-01-000       | Cannister Assy.                       | 1          |
| 3           | 308-59-00-000       | Discharge Extension Tube              | 1          |
| 4           | 308-60-00-000       | Elbow & Ring Assy.                    | 1          |
| 5           | 308-61-00-000       | Top Elbow w/Barbed End Assy.          | 1          |
| 6           | 364-68-00-000       | Splash Plate Assy.                    | 1          |
| 7           | 250-97-00-000       | Clamp & Chain Assy.                   | 1          |
| 8           | 308-07-00-079       | Half Barbed Connector                 | 4          |
| 9           | 308-44-13-122       | Canister Base                         | 1          |
| 10          | 308-44-13-123       | Cannister Tube                        | 1          |
| 11          | 308-44-13-124       | Cannister Top                         | 1          |
| 12          | 250-96-01-296       | Coupling Base Tube                    | 2          |
| 13          | 250-96-00-298       | Chain Lug                             | 1          |
| 14          | 308-53-00-151       | Gusset                                | 2          |
| 15          | 308-53-00-152       | Cannister Stand                       | 1          |
| 16          | 308-58-00-168       | Clamp Plate                           | 2          |
| 17          | 308-58-00-169       | Gusset                                | 2          |
| 18          | 308-44-00-129       | Clamp Brkt                            | 2          |
| 19          | 308-54-00-154       | Support Tube                          | 1          |
| 20          | 308-54-00-155       | Gusset                                | 1          |
| 21          | 308-54-00-160       | SMV Sign Holder                       | 1          |
| 22          | 308-54-00-161       | Gusset                                | 1          |
| 23          | 308-59-00-170       | Discharge Pipe                        | 1          |
| 24          | 308-59-00-171       | Base Ring                             | 1          |
| 25          | 308-60-00-173       | Elbow Middle Pc                       | 2          |
| 26          | 308-60-00-172       | Elbow Base Pc                         | 2          |
| 27          | 308-60-00-174       | Barbed Elbow End                      | 2          |
| 28          | 250-95-00-295       | Clamp Ring                            | 1          |
| 29          | 364-19-00-087       | Pipe Flange                           | 1          |
| 30          | 308-00-00-134       | Discharge Hose - Model 'E'            | 1          |
|             | 308-00-00-150       | Discharge Hose - 18 & 23000 Model 'E' | *          |
|             | 308-00-00-141       | Discharge Hose - Model 'D'            | *          |
| 31          | 308-00-00-137       | Short 3" Injector Hose                | 2          |
| 32          | 308-00-00-138       | Long 3" Injector Hose                 | 2          |
| 33          | 364-21-00-069       | Splash Plate                          | 1          |
| 34          | 364-68-00-215       | Clamping tube                         | 1          |
| 35          | 364-21-00-071       | Clamping Tube Brkt                    | 2          |
| 36          | 250-97-00-297       | Clamp Chain                           | 1          |
| 37          | R02480              | 3" Super Clamp                        | 8          |
| 38          | R02498              | 6" Double Bolt Clamp                  | 2          |
| 39          | R02487              | 6" Ring Lock Clamp                    | 1          |
| 40          | R07619              | 3/8 x 1 Hex Bolt                      | 1          |
| 41          | R07886              | 3/8 Hex Lock Nut                      | 1          |
| 42          | R07832              | 3/8 Flat Washer                       | 1          |
| 43          | R07622              | 3/8 x 2 1/2 Hex Bolt                  | 2          |
| 44          | R07783              | 3/8 Hex Nut                           | 2          |
| 45          | R07803              | 3/8 Lock Washer                       | 2          |
| 46          | R07638              | 1/2 x 1 1/2 Hex Bolt                  | 6          |
| 47          | R07785              | 1/2" Hex Nut                          | 14         |
| 48          | R07805              | 1/2" Lock Washer                      | 14         |
| 49          | R07644              | 1/2 x 5 Hex Bolt                      | 8          |
| 50          | R09501              | Slow Moving Vehicle Sign              | 1          |
| 51          | R02366              | 6" Rubber Gasket                      | 2          |

VALVE KIT  
 308-46-00-000  
 USED ON MODEL 'E' ONLY



**VALVE KIT**

| <u>Keys</u> | <u>Parts Number</u> | <u>Description</u>                  | <u>Qty</u> |
|-------------|---------------------|-------------------------------------|------------|
| 1           | 308-49-00-000       | Valve w/ Indicator Rod Assy.        | 1          |
| 2           | 308-49-01-000       | Cylinder Tube & Flange Assy.        | 1          |
| 3           | 308-49-02-000       | Valve Body Assy. w/Flanges          | 1          |
| 4           | 308-49-03-000       | Cylinder & Indicator Rod Assy.      | 1          |
| 5           | 308-46-14-000       | Flange Assy.                        | 1          |
| 6           | 275-17-00-000       | Valve Gate Assy.                    | 1          |
| 7           | 250-79-35-000       | Valve Body Assy.                    | 1          |
| 8           | 307-20-00-000       | Hydraulic Hose Assy.                | 2          |
| 9           | 275-01-09-093       | Cylinder Flange                     | 1          |
| 10          | 308-49-01-146       | Cylinder Tube                       | 1          |
| 11          | 250-79-35-189       | Valve Housing                       | 1          |
| 12          | 275-01-02-012       | Valve Flange                        | 1          |
| 13          | 275-01-02-062       | Valve End Cap                       | 1          |
| 14          | 308-49-02-143       | Valve Extension Pipe                | 1          |
| 15          | 308-49-02-144       | Valve Extension Pipe-short          | 1          |
| 16          | 308-49-02-145       | Flange                              | 2          |
| 17          | 275-17-00-080       | Valve Gate                          | 1          |
| 18          | 275-17-00-081       | Valve Gate Brkt                     | 1          |
| 19          | 340-36-00-434       | Wiper Block                         | 2          |
| 20          | 340-36-00-435       | Cylinder Plunger                    | 1          |
| 21          | 250-70-00-158       | Cylinder Shaft                      | 1          |
| 22          | 307-36-00-099       | Indicator Rod                       | 1          |
| 23          | 340-50-00-469       | Shaft Connector                     | 1          |
| 24          | 308-46-14-135       | Flange                              | 2          |
| 25          | 308-46-14-136       | Flange Tube                         | 1          |
| 26          | 307-20-00-059       | Hydraulic Hose                      | 2          |
| 27          | R21287              | 1/4M x 3/8F Straight Swivel Adapter | 2          |
| 28          | R07967              | Retaining Ring                      | 2          |
| 29          | R20774              | Rod Wiper                           | 2          |
| 30          | R20862              | Back Up #210                        | 2          |
| 31          | R20771              | O Ring #11-210                      | 2          |
| 32          | R20866              | O Ring #11-218                      | 3          |
| 33          | R20867              | Back Up #8-218                      | 2          |
| 34          | R20865              | O Ring #11-014                      | 1          |
| 35          | R07906              | 5/16 x 3/8 Set Screws               | 2          |
| 36          | R08221              | 7/16" SAE Flat Washer               | 2          |
| 37          | R07825              | 1/2" Flat Washer                    | 9          |
| 38          | R08228              | 7/16" 2 Way Lock Nut                | 1          |
| 39          | R07619              | 3/8 x 1 Hex Bolt                    | 8          |
| 40          | R07794              | 3/8" Flange Nut                     | 8          |
| 41          | R07674              | 1/2 - 13 UNC x 1 1/4 Hex Bolt       | 8          |
| 42          | R07785              | 1/2" Hex Nut                        | 8          |
| 43          | R20803              | 3/8 Solid Stem                      | 4          |
| 44          | R21231              | Ferulle                             | 4          |
| 45          | R02043              | 1/2 x 3/8 Bushing                   | 2          |
| 46          | R21342              | Pioneer Coupler                     | 2          |
| 47          | R04100              | Silicone                            | 1          |

## FAN HOUSING - FOR D MODEL ONLY

| <u>Keys</u> | <u>Parts Number</u> | <u>Description</u>         | <u>Qty</u> |
|-------------|---------------------|----------------------------|------------|
| 1           | 308-47-00-000       | Fan Housing Assy.          | 1          |
| 2           | 364-54-00-000       | Seal & Plate Kit           | 2          |
| 3           | 308-47-00-018       | Housing Ring               | 1          |
| 4           | 308-07-00-000       | Housing Cover              | 1          |
| 5           | 308-07-00-020       | Drain Pipe                 | 1          |
| 6           | 308-47-00-139       | Housing Band               | 1          |
| 7           | 308-47-00-140       | Housing Tube               | 1          |
| 8           | 364-54-00-173       | Seal Plate                 | 2          |
| 9           | 308-00-00-142       | Stainless Steel Sleeve     | 2          |
| 10          | R02284              | 1 1/2" ABS Plug            | 1          |
| 11          | R07733              | 7/16 x 1 1/2 Carriage Bolt | 4          |
| 12          | R07731              | 7/16 x 1 Carriage Bolt     | 4          |
| 13          | R07784              | 7/16 Hex Nut               | 8          |
| 14          | R07804              | 7/16 Lock Washer           | 8          |
| 15          | R20184              | 1 1/4 Flange Brg.          | 1          |

