

Date Purchased _____ Machine Serial No. _____

Size of Pump _____ Options _____

The key number system in this parts book is arranged as follows:

- ⊙ - Key numbers with two circles denotes main assemblies.
- - Key numbers with one circle are individual parts

Please order parts by number



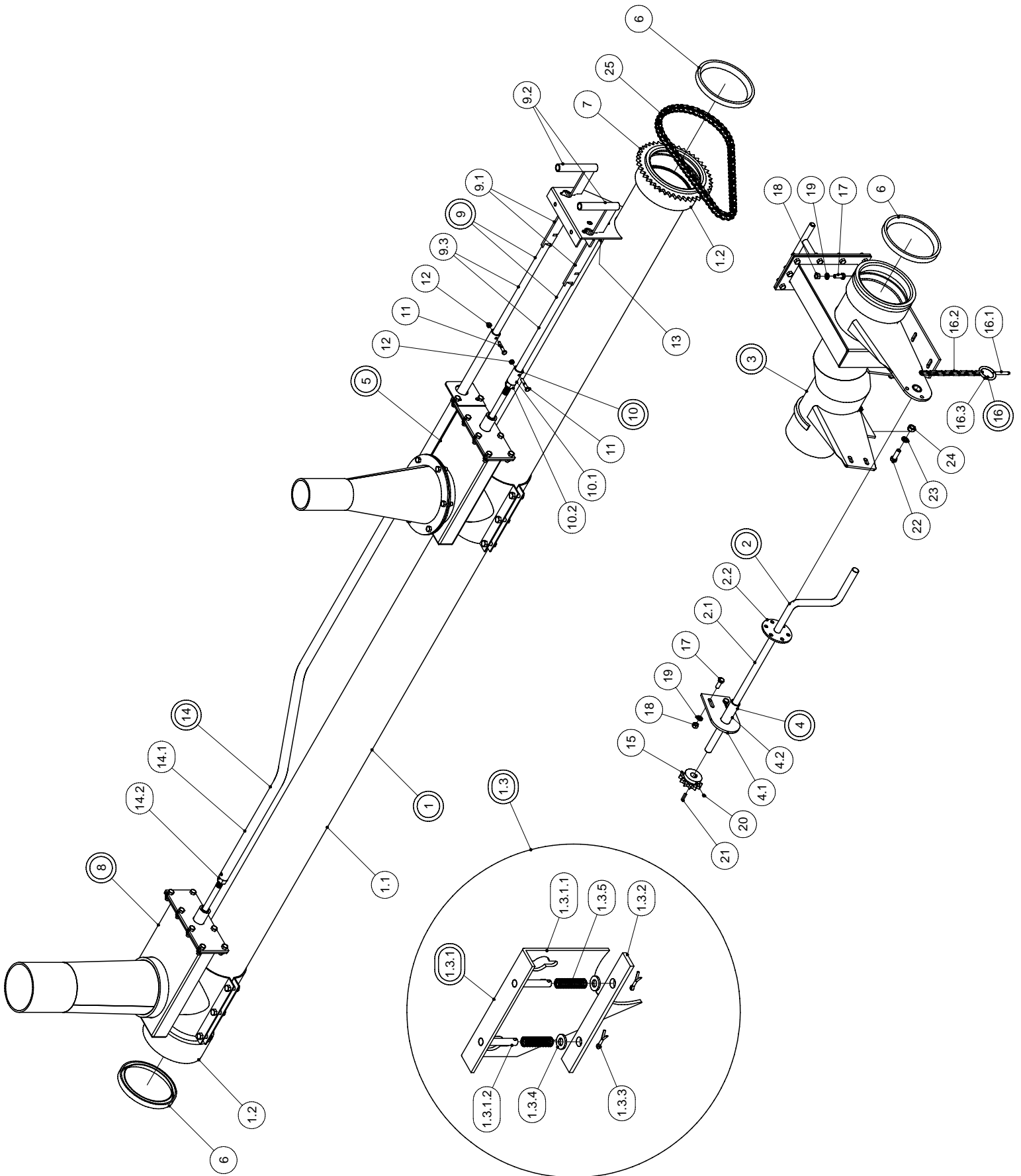
K-31 ELECTRIC

K-31 ELECTRIC VERTICAL PIT PUMP – 8ft ▪ 10ft ▪ 12ft

OPERATING INSTRUCTIONS:

1. Pump must turn counter-clockwise when looking down from top.
2. Fasten pump solid so it will not move when operating.
3. Make sure all moving parts are shielded.
4. Keep children and livestock away from pump.
5. Have an Electrician check amp draw when operating to make sure the motor has enough electricity.
6. The (Polyurethane) marine bearing at the bottom of the pump is lubricated with manure or water. If the level of the liquid is below the bearing and you are running for long periods put a water hose in the top of the standpipe.
7. Always fill all hydraulic motors and cylinders with oil before installing in pit.
8. Keep belts snug but not overly tight.
9. **EXTREME DANGER** – Never enter a dirty manure spreader or storage tank – one breath of hydrogen sulphide gas is enough to kill. Have a ladder in your pit, so that if by accident you should fall in, you can get out.

K-31 ELECTRIC STANDPIPE ASSY



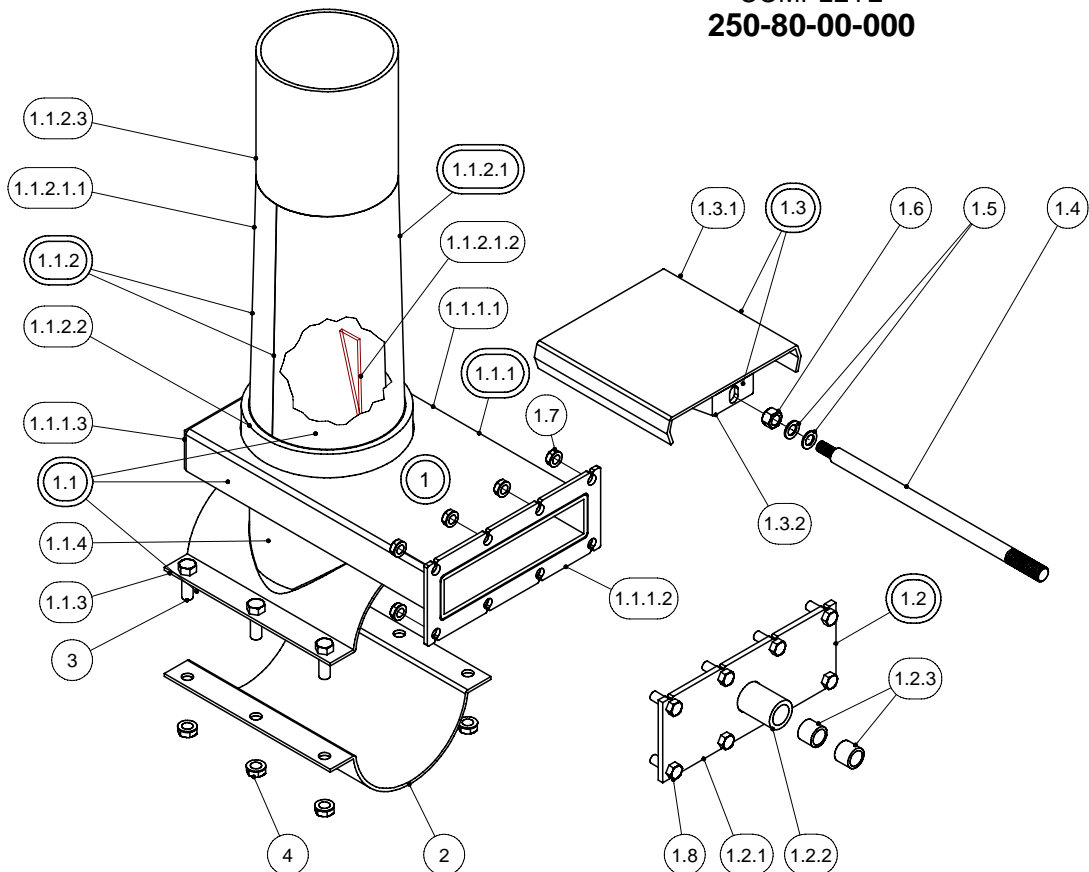
K-31 ELECTRIC STANDPIPE ASSY

PARTS LIST				PARTS LIST			
ITEM	PART NUMBER	DESCRIPTION	QTY	ITEM	PART NUMBER	DESCRIPTION	QTY
1	250-67-00-000	STANDPIPE ASSY - 8 FT PUMP	1	9.3	250-22-00-046	UPPER CONTROL ROD	1
1	252-68-00-000	STANDPIPE ASSY - 10 FT PUMP	1	10	250-19-00-000	CONTROL ROD ATTACHMENT ASSY	1
1	254-69-00-000	STANDPIPE ASSY - 12 FT PUMP	1	10.1	250-19-00-045	UPPER CONTROL ROD ATTACHMENT	1
1.1	250-67-00-152	STANDPIPE - 8 FT	1	10.2	R07786	5/8 HEX NUT	1
1.1	252-68-00-153	STANDPIPE - 10 FT	1	11	R07603	1/4 x 1 1/2 HEX BOLT	3
1.1	254-69-00-154	STANDPIPE - 12 FT	1	12	R08048	1/4" 2 WAY LOCK NUT	3
1.2	250-67-00-168	GASKET SLEEVE	2	13	250-12-00-044	CONTROL PLATE GUSSET	1
1.3	250-67-34-000	CONTROL PLATE KIT	1	14	250-20-00-000	8 FT LOWER CONTROL ROD ASSY	1
1.3.1	250-67-33-000	CONTROL PLATE ASSY	1	14	252-42-00-000	10 FT LOWER CONTROL ROD ASSY	1
1.3.1.1	250-67-33-000	CONTROL PLATE	1	14	254-43-00-000	12 FT LOWER CONTROL ROD ASSY	1
1.3.1.2	250-67-33-176	CONTROL PLATE PIN	2	14.1	250-20-00-075	LOWER CONTROL - 8 FT PUMP	1
1.3.2	250-00-00-175	SPRING PLATE	1	14.1	252-42-00-110	LOWER CONTROL - 10 FT PUMP	1
1.3.3	R08021	1/8 x 1 S.S. COTTER PIN	2	14.1	254-43-00-112	LOWER CONTROL - 12 FT PUMP	1
1.3.4	R07823	3/8 FLAT WASHER	2	14.2	R07786	5/8 HEX NUT	1
1.3.5	R08024	1/2 x 2 1/4 COMP. SPRING	2	15	R20613	A50B12 w/ 3/4" BORE SPRKT	1
2	250-92-02-000	CRANK ASSY	1	16	250-18-00-000	LOCK PIN ASSY w/ CHAIN	1
2.1	250-92-02-267	CRANK	1	16.1	250-18-00-071	LOCK PIN	1
2.2	250-17-00-070	CRANK LOCK PLATE	1	16.2	250-18-00-067	LOCK PIN CHAIN	1
3	250-92-01-000	UPPER VALVE AND EXT. PIPE ASSY	1	16.3	250-00-00-354	1/4 X 1 1/2" RING	1
4	250-92-07-000	LOWER CRANK ADJUST. PLATE ASSY	1	17	R07619	3/8 x 1 UNC HEX BOLT	3
4.1	250-92-07-286	LOWER CRANK ADJUST. PLATE	1	18	R07783	3/8-16 UNC HEX NUT	3
4.2	250-92-07-287	SLEEVE	1	19	R07803	3/8" LOCK WASHER	3
5	250-86-00-000	UPPER AGITATOR VALVE & TEE COMPLETE	1	20	R07910	1/4 x 1/4" SET SCREW	2
				21	250-00-00-124	3/16 KEY	1
6	R02366	6" RUBBER GASKET	3	22	R07671	7/16 x 1 1/4 UNC HEX BOLT	6
7	R20612	50A44 SPROCKET	1	23	R07804	7/16" LOCK WASHER	6
8	250-80-00-000	LOWER AGITATOR VALVE COMPLETE	1	24	R07784	7/16-14 UNC HEX NUT	6
9	250-22-00-000	CONTROL ROD ASSY	2	25	250-00-00-104	#50 ROLLER CHAIN	1
9.1	250-21-00-076	LEVER PLATE	1				
9.2	250-21-00-072	LEVER HANDLE	1				

LOWER AGITATOR VALVE

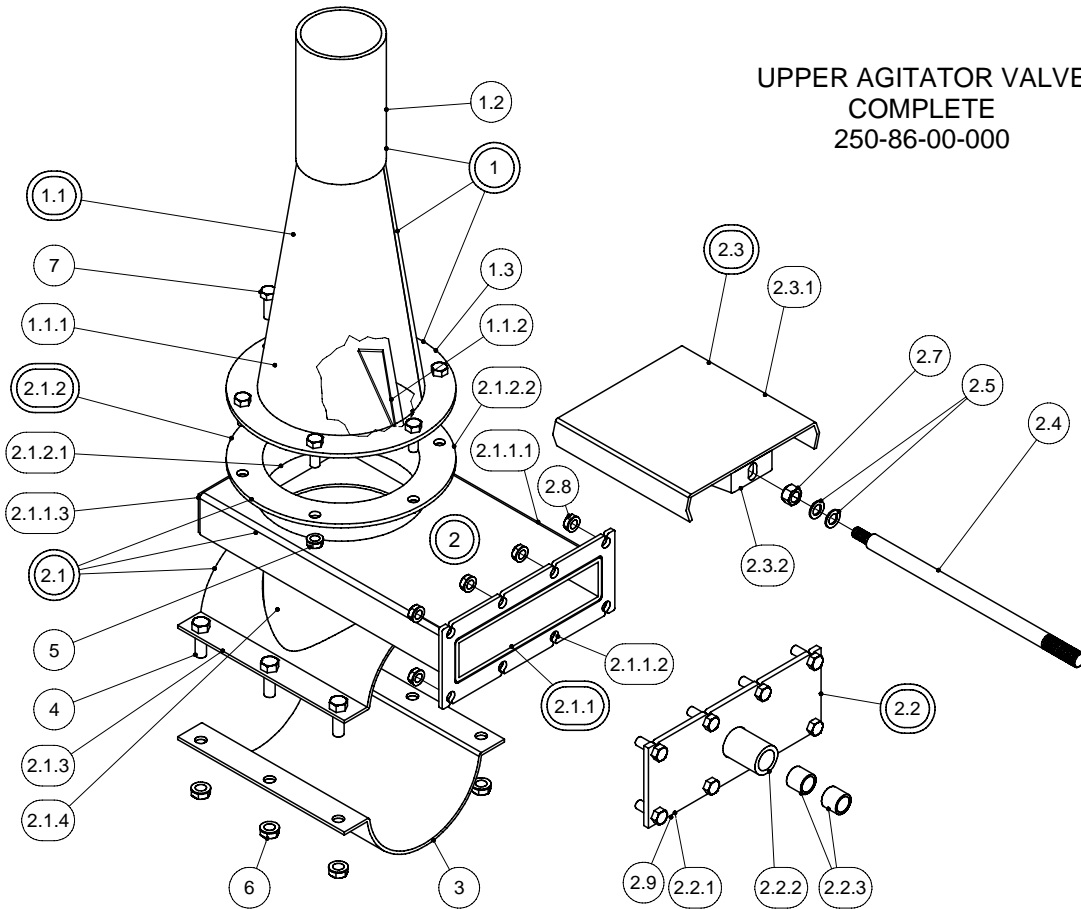
PARTS LIST				PARTS LIST			
ITEM	PART NUMBER	DESCRIPTION	QTY	ITEM	PART NUMBER	DESCRIPTION	QTY
1	250-80-01-000	LOWER AGITATOR VALVE & TEE ASSY	1	1.2.1	250-79-36-188	VALVE OUTER FLANGE	1
1.1	250-79-00-000	LOWER AGITATOR VALVE ASSY	1	1.2.2	250-08-06-030	VALVE BUSHING HOLDER	1
1.1.1	250-79-35-000	AGITATOR VALVE HOUSING ASSY	1	1.2.3	R21167	7/8 OD x 5/8 ID x 3/4 LONG BUSHING	2
1.1.1.1	250-79-35-189	VALVE HOUSING	1	1.3	275-17-00-000	VALVE GATE ASSY	1
1.1.1.1.2	275-01-02-012	VALVE FLANGE	1	1.3.1	275-17-00-080	VALVE GATE	1
1.1.1.1.3	275-01-02-062	VALVE END CAP	1	1.3.2	275-17-00-081	VALVE GATE BRACKET	1
1.1.2	250-79-53-000	LOWER AGIT. CONE & MOUNT ASSY	1	1.4	250-00-00-023	VALVE SHAFT	1
1.1.2.1	250-09-08-000	LOWER AGITATOR CONE ASSY	1	1.5	R08221	7/16 SS FLAT WASHER	2
1.1.2.1.1	250-09-08-036	LOWER CONE HALF	2	1.6	R08228	7/16 S.S. NYLOCK NUT	1
1.1.2.1.2	250-09-08-037	CONE RIBS	4	1.7	R07794	3/8 FLANGE NUT	8
1.1.2.2	250-09-08-031	CONE MOUNT	1	1.8	R07619	3/8 x 1 HEX BOLT	8
1.1.2.3	250-79-53-330	LOWER CONE EXTENSION TUBE	1	2	250-00-00-151	CLAMP ON BRACKET	1
1.1.3	250-66-00-150	CONE CLAMP ON BRACKET	1	3	R07671	7/16 x 1 1/4 HEX BOLT	6
1.1.4	250-09-07-035	TEE SIDE	1	4	R07879	7/16 FLANGE NUT	6
1.2	250-79-36-000	OUTER FLANGE ASSY w/ BUSHINGS	1				

LOWER AGITATOR VALVE COMPLETE 250-80-00-000



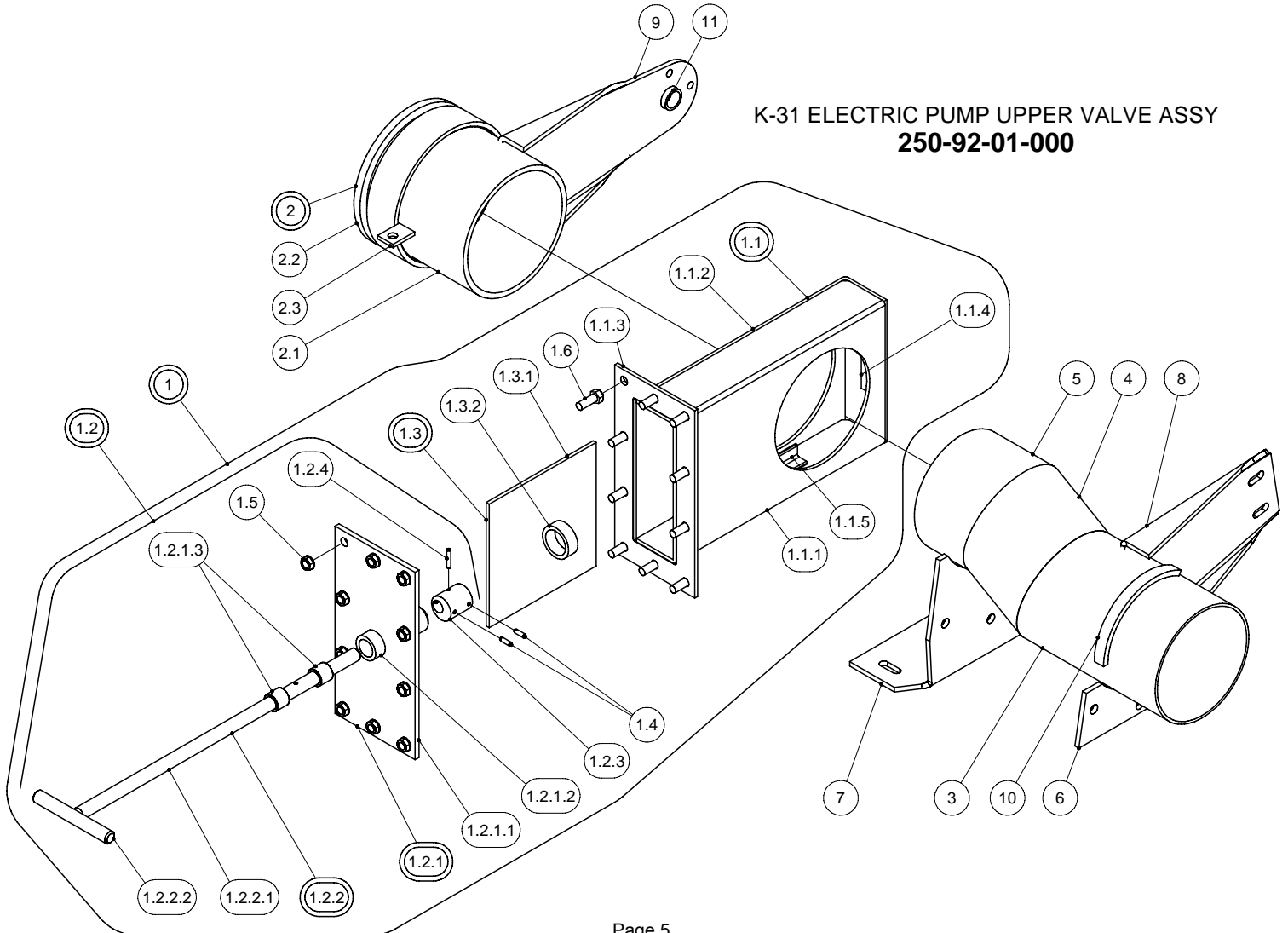
UPPER AGITATOR VALVE COMPLETE

PARTS LIST				PARTS LIST			
ITEM	PART NUMBER	DESCRIPTION	QTY	ITEM	PART NUMBER	DESCRIPTION	QTY
1	250-93-00-000	UPPER CONE & FLANGE ASSY	1	2.2.1	250-79-36-188	VALVE OUTER FLANGE	1
1.1	250-86-43-000	UPPER CONE & FLANGE ASSY	1	2.2.2	250-08-06-030	VALVE BUSHING HOLDER	1
1.1.1	250-86-43-214	UPPER CONE HALF	2	2.2.3	R21167	7/8 OD x 5/8 ID x 3/4 LONG BUSHING	2
1.1.2	250-09-08-037	CONE RIBS	4	2.3	275-17-00-000	VALVE GATE ASSY	1
1.2	250-93-00-331	UPPER CONE EXTENSION TUBE	1	2.3.1	275-17-00-080	VALVE GATE	1
1.3	250-93-00-288	FLANGE	1	2.3.2	275-17-00-081	VALVE GATE BRACKET	1
2	250-86-01-000	UPPER AGITATOR VALVE ASSY	1	2.4	250-00-00-023	VALVE SHAFT	1
2.1	250-90-00-000	UPPER AGITATOR VALVE ASSY	1	2.5	R08221	7/16 SS FLAT WASHER	2
2.1.1	250-79-35-000	AGITATOR VALVE HOUSING ASSY	1	2.6	250-00-00-160	CONTROL ROD SUPPORT	1
2.1.1.1	250-79-35-189	VALVE HOUSING	1	2.7	R08228	7/16 S.S. NYLOCK NUT	1
2.1.1.2	275-01-02-012	VALVE FLANGE	1	2.8	R07794	3/8 FLANGE NUT	8
2.1.1.3	275-01-02-062	VALVE END CAP	1	2.9	R07619	3/8 x 1 HEX BOLT	8
2.1.2	250-90-57-000	UPPER MOUNT & VALVE ASSY	1	3	250-00-00-151	CLAMP ON BRACKET	1
2.1.2.1	250-09-08-031	CONE MOUNT	1	4	R07671	7/16 x 1 1/4 HEX BOLT	6
2.1.2.2	250-93-00-288	FLANGE	1	5	R07794	3/8 FLANGE NUT	6
2.1.3	250-66-00-150	CONE CLAMP ON BRACKET	1	6	R07879	7/16 FLANGE NUT	6
2.1.4	250-09-07-035	TEE SIDE	1	7	R07619	3/8 x 1 HEX BOLT	6
2.2	250-79-36-000	OUTER FLANGE ASSY w/ BUSHINGS	1				



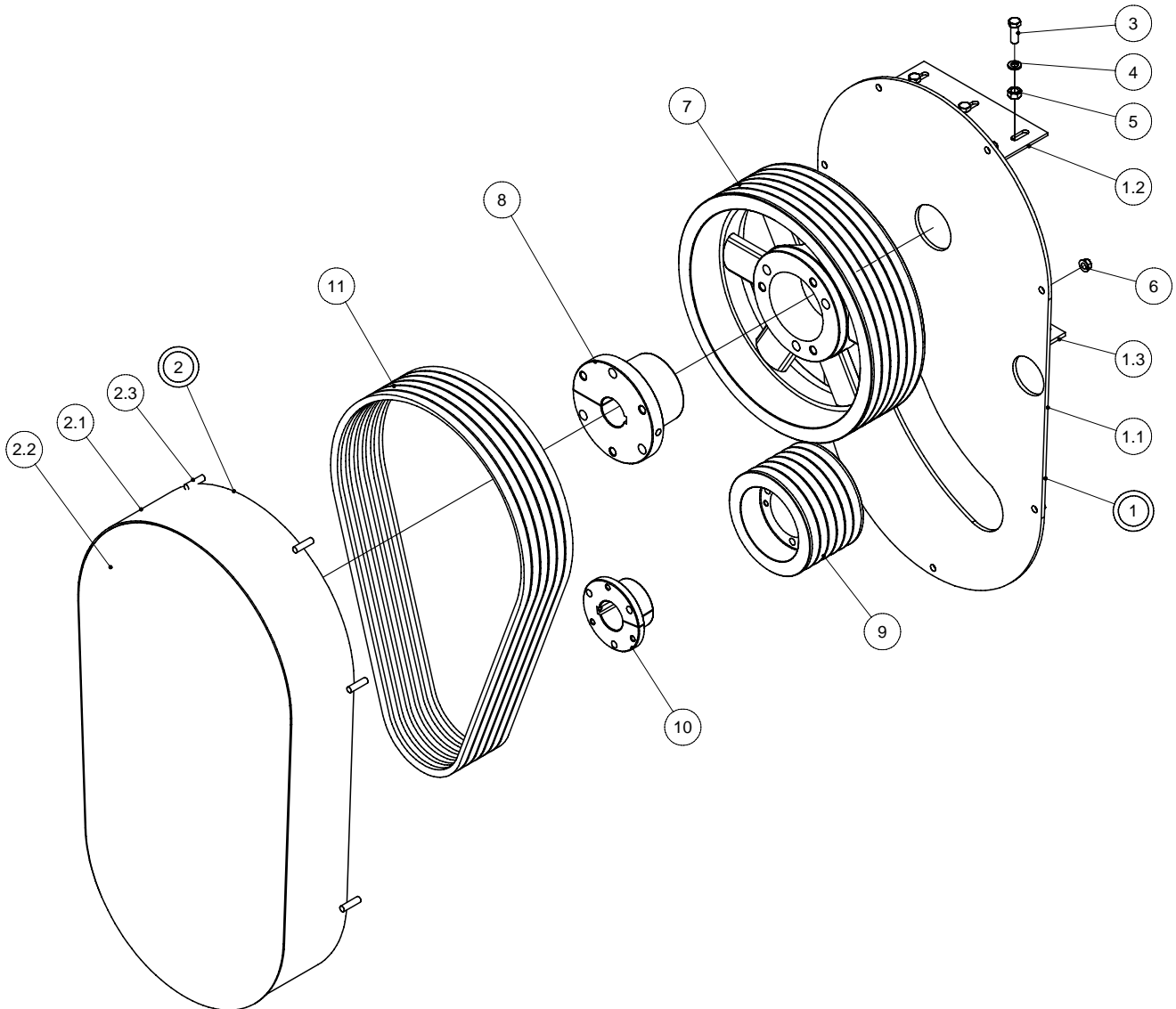
K-31 ELECTRIC UPPER VALVE ASSY

PARTS LIST				PARTS LIST			
ITEM	PART NUMBER	DESCRIPTION	QTY	ITEM	PART NUMBER	DESCRIPTION	QTY
1	250-14-00-000	UPPER VALVE ASSY COMPLETE	1	1.3.1	250-14-13-052	UPPER VALVE GATE	1
1.1	250-14-12-000	UPPER VALVE HOUSING ASSY	1	1.3.2	250-14-13-053	CAM HOLDER	1
1.1.1	250-14-12-047	UPPER VALVE BOTTOM PLATE	1	1.4	R07986	3/16 x 5/8 HARDENED DOWEL PIN	2
1.1.2	250-14-12-048	UPPER VALVE COVER PLATE	1	1.5	R07794	3/8 FLANGE NUT	10
1.1.3	250-14-12-049	UPPER VALVE FLANGE	1	1.6	R07619	3/8 x 1 HEX BOLT	10
1.1.4	250-14-12-050	HOLD DOWN BAR	1	2	250-96-01-000	UPPER EXTENSION PIPE ASSY	1
1.1.5	250-14-12-051	VALVE GUIDE	2	2.1	250-15-17-061	VALVE EXTENSION PIPE	1
1.2	250-14-14-000	VALVE COVER & SHAFT ASSY	1	2.2	250-96-01-296	6" COUPLING BASE TUBE	1
1.2.1	250-14-11-000	FLANGE ASSY	1	2.3	250-96-00-298	CHAIN LUG	1
1.2.1.1	250-14-14-054	UPPER VALVE COVER PLATE	1	3	250-92-01-338	LOWER ANGLE PIPE	1
1.2.1.2	250-14-14-055	VALVE BEARING SLEEVE	1	4	250-92-01-337	MIDDLE ANGLE PIPE	1
1.2.1.3	R21167	7/8 OD x 5/8 ID x 3/4 LONG BUSHING	2	5	250-92-01-336	UPPER ANGLE PIPE	1
1.2.2	250-14-15-000	HANDLE ASSY	1	6	250-92-01-339	MOUNT BRKT	1
1.2.2.1	250-14-15-057	UPPER VALVE SHAFT	1	7	250-92-01-274	UPPER GUARD BRKT	1
1.2.2.2	250-14-15-058	TEE HANDLE	1	8	250-92-01-266	LOWER CRANK BRKT	1
1.2.3	250-14-14-056	SS CAM	1	9	250-92-01-265	UPPER CRANK BRKT	1
1.2.4	R08241	3/16 x 1 SS ROLL PIN	1	10	250-15-00-170	STOP RING	1
1.3	250-14-13-000	UPPER VALVE GATE ASSY	1	11	250-16-18-066	SLEEVE	1

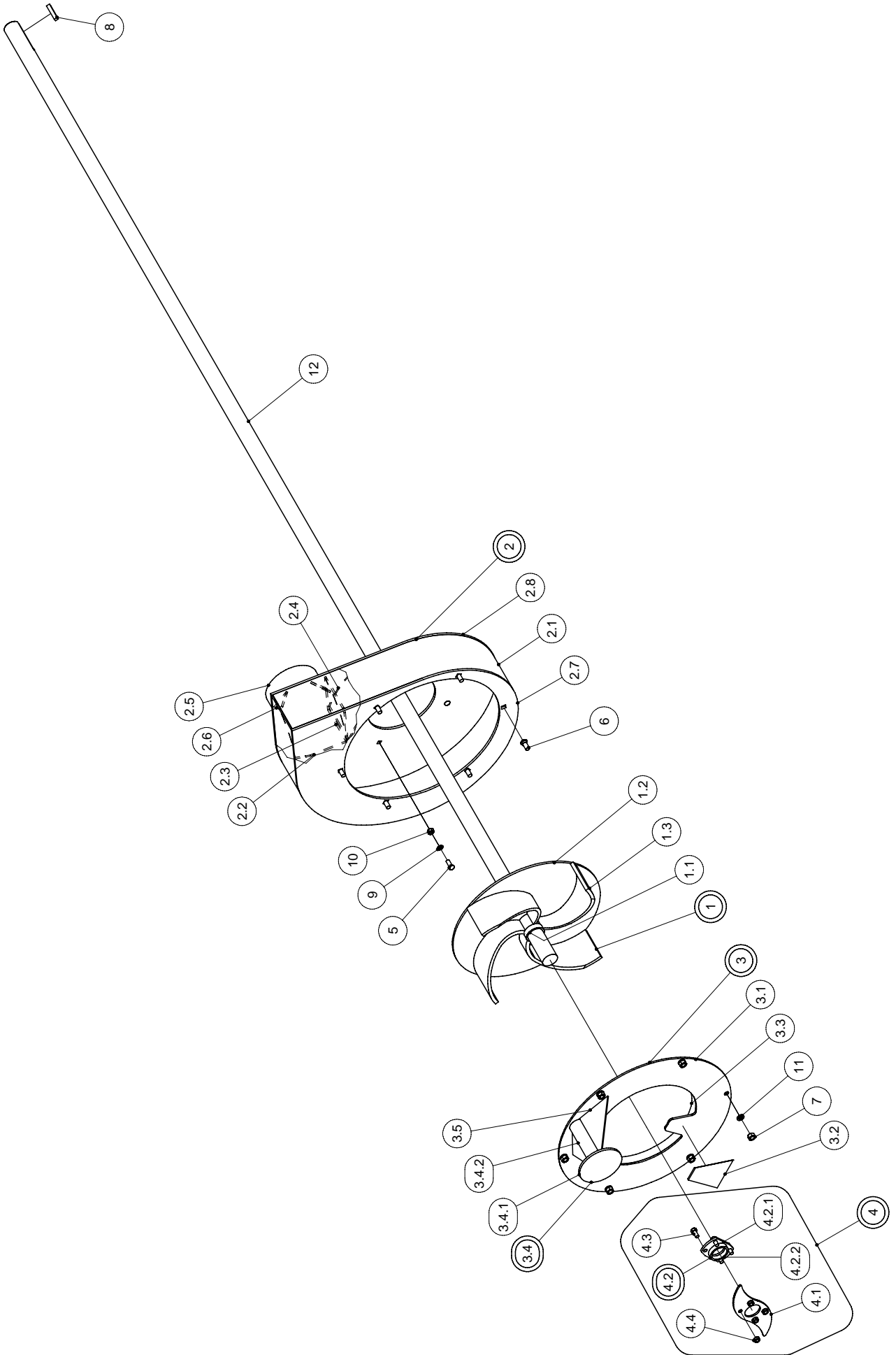


K-31 ELECTRIC GUARD & PULLEYS

PARTS LIST			
ITEM	PART NUMBER	DESCRIPTION	QTY
1	250-92-06-000	PULLEY GUARD BACK PLATE	1
1.1	250-92-06-280	GUARD BACK PLATE	1
1.2	250-92-06-283	GUARD UPPER BRKT	1
1.3	250-92-03-275	GUARD BRKT	1
2	250-92-05-000	PULLEY GUARD ASSY	1
2.1	250-92-05-281	GUARD SIDE	1
2.2	250-92-05-282	GUARD TOP	1
2.3	250-92-05-285	GUARD STUD	7
3	R07671	7/16 x 1 1/4 UNC HEX BOLT	6
4	R07804	7/16" LOCK WASHER	6
5	R07784	7/16-14 UNC HEX NUT	6
6	R07794	3/8-16 UNC FLANGE NUT	7
7	R21135	6-5V16.0 PULLEY SHEAVE	1
8	R21137	FX-1 3/4 PULLEY BUSHING	1
9	R21136	6-5V6.7 PULLEY SHEAVE	1
10	R21138	SFX-1 7/8 PULLEY BUSHING	1
11	R20977	R5V670-6R V-BELT	1



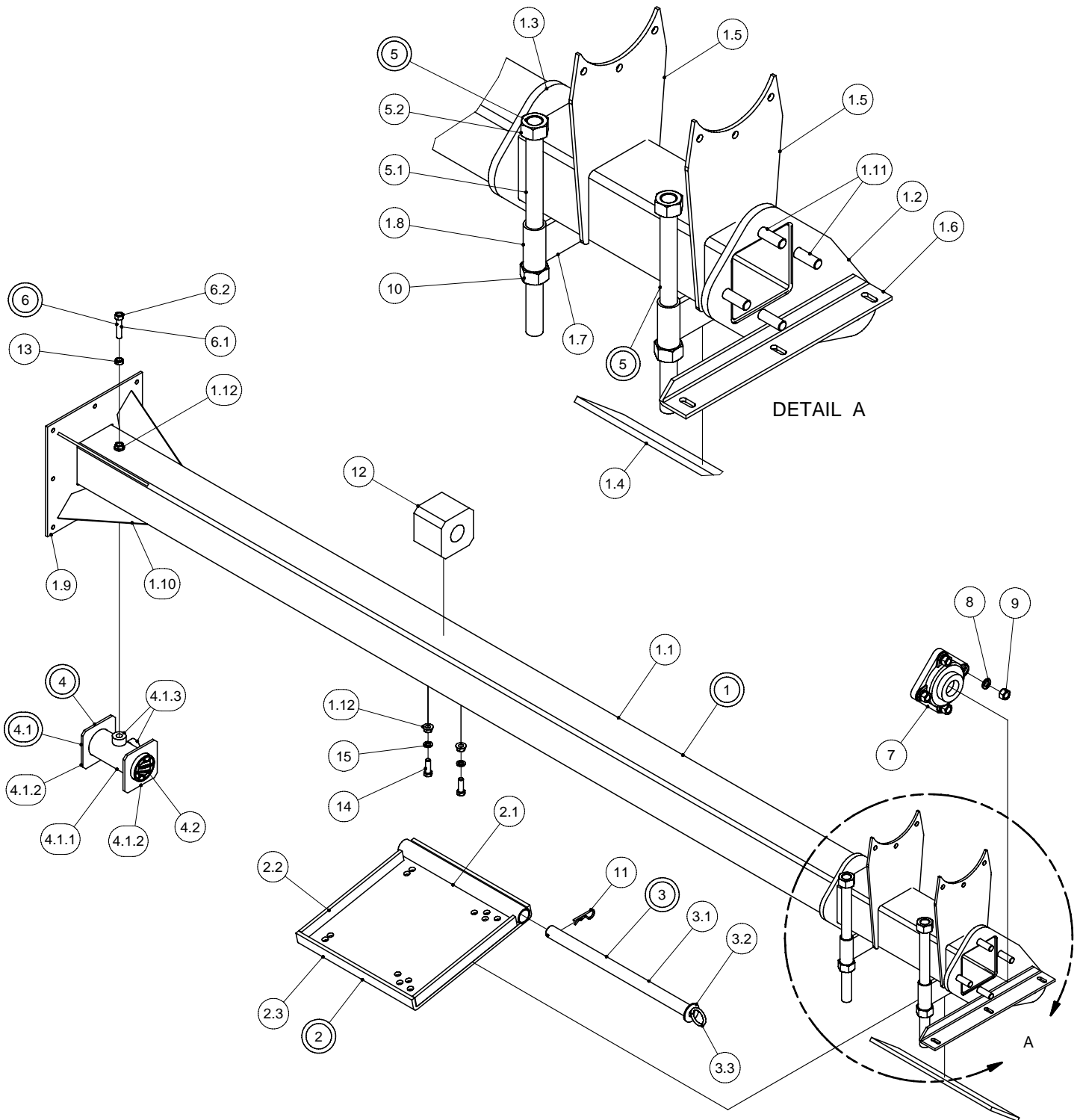
K-31 ELECTRIC FAN AND HOUSING



K-31 ELECTRIC FAN AND HOUSING

PARTS LIST			
ITEM	PART NUMBER	DESCRIPTION	QTY
1	250-03-11-000	IMPELLER ASSY	1
1.1	250-03-11-018	IMPELLER GUIDE RING	1
1.2	250-03-00-008	IMPELLER BACK PLATE	1
1.3	250-03-00-009	IMPELLER BLADE	4
2	250-72-00-000	FAN HOUSING ASSY	1
2.1	250-72-00-163	HOUSING BAND	1
2.2	250-72-00-166	HOUSING DEFLECTOR PLATE	1
2.3	250-72-00-165	SIDE PLATE	1
2.4	250-72-00-167	INNER HOUSING RING	1
2.5	250-72-00-164	DISCHARGE TUBE	1
2.6	250-72-00-169	HOUSING CORNER GUSSET	2
2.7	250-72-00-162	LOWER FAN HOUSING PLATE	1
2.8	250-72-00-161	UPPER FAN HOUSING PLATE	1
3	250-04-00-000	COVER PLATE ASSY	1
3.1	250-04-00-011	COVER PLATE	1
3.2	250-04-00-015	CUTTER PLATE	1
3.3	250-04-00-010	INLET RING	1
3.4	250-04-03-000	FOOT ASSY	1
3.4.1	250-04-03-012	FOOT END	1
3.4.2	250-04-03-013	FOOT PLATE	1
3.5	250-04-00-173	FOOT GUSSET	2
4	250-73-00-000	CUTTER BLADE KIT	1
4.1	250-73-00-308	CUTTER BLADE	1
4.2	250-73-32-000	CUTTER BLADE BRACKET ASSY	1
4.2.1	250-73-32-172	CUTTER BLADE BRACKET	1
4.2.2	250-73-32-171	CUTTER BLADE RING	1
4.3	R07688	3/8 x 3/4 HEX BOLT	4
4.4	R07794	3/8 FLANGE NUT	4
5	R07721	3/8 x 1 CARRIAGE BOLT	8
6	R07731	7/16 x 1 CARRIAGE BOLT	6
7	R07784	7/16 HEX NUT	6
8	270-00-00-075	3/8 KEY - 50mm LONG	1
9	R07803	3/8 LOCK WASHER	8
10	R07783	3/8 HEX NUT	8
11	R07804	7/16 LOCK WASHER	6
12	250-00-00-314	DRIVE SHAFT - 8 FT ELECTRIC K31	1
	252-00-00-417	DRIVE SHAFT - 10 FT ELECTRIC K31	1
	254-00-00-418	DRIVE SHAFT - 12 FT ELECTRIC K31	1

K-31 ELECTRIC SHAFT TUBE ASSY

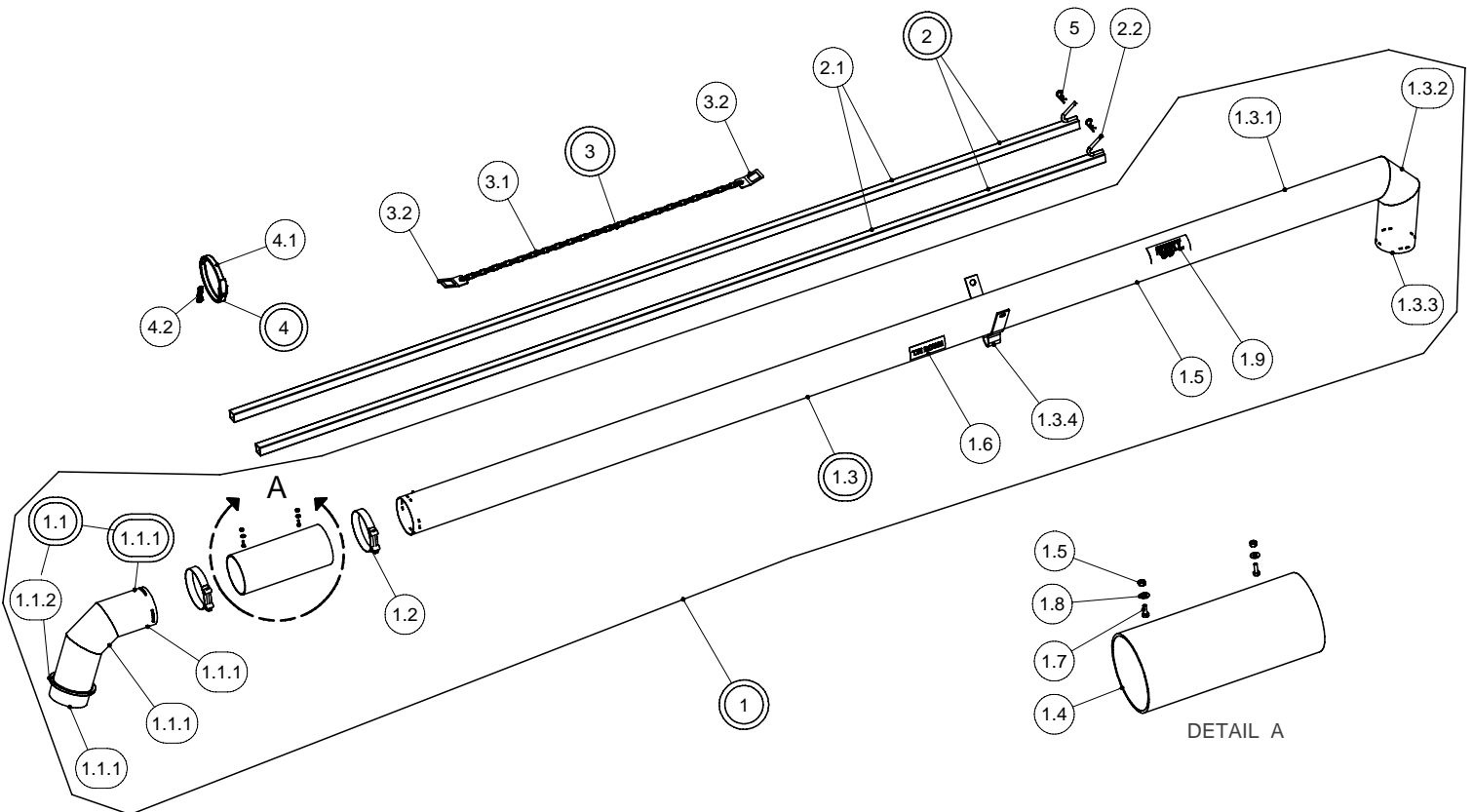


K-31 ELECTRIC SHAFT TUBE ASSY

PARTS LIST			
ITEM	PART NUMBER	DESCRIPTION	QTY
1	250-92-03-000	8ft K-31 ELECTRIC SHAFT TUBE ASSY	1
	252-93-04-000	10ft K-31 ELECTRIC SHAFT TUBE ASSY	1
	254-94-05-000	12ft K-31 ELECTRIC SHAFT TUBE ASSY	1
1.1	250-92-03-276	8ft ELECTRIC K-31 SHAFT TUBE	1
	252-93-04-419	10ft ELECTRIC K-31 SHAFT TUBE	1
	254-94-05-420	12ft ELECTRIC K-31 SHAFT TUBE	1
1.2	250-92-03-270	MOTOR BRKT	1
1.3	250-92-03-269	LOWER MOTOR BRKT	1
1.4	250-92-03-271	MOTOR BRKT SUPPORT	1
1.5	250-92-03-268	MOUNT BRKT	2
1.6	250-92-03-275	GUARD BRKT	1
1.7	250-92-03-272	BELT TIGHTENER BRKT	2
1.8	250-92-03-273	BELT TIGHTENER SLEEVE	2
1.9	250-05-00-073	LOWER SHAFT TUBE FLANGE	1
1.10	250-05-00-077	SHAFT TUBE GUSSET	4
1.11	250-92-03-412	REDDI THREAD	4
1.12	R08304	1/2-13 UNC SS FLANGE NUT	3
2	250-92-04-000	MOTOR MOUNT ASSY	1
2.1	250-92-04-279	MOTOR MOUNT SLEEVE	1
2.2	250-92-04-278	MOTOR MOUNT REINF. BAR	2
2.3	250-92-04-277	MOTOR MOUNT PLATE	1
3	250-92-08-000	MOTOR MOUNT PIN ASSY	1
3.1	250-92-08-299	MOTOR MOUNT PIN	1
3.2	R07827	3/4" FLAT WASHER	1
3.3	250-00-00-354	1/4 X 1 1/2" RING	1
4	250-76-00-000	MARINE BRG & HOLDER COMPLETE	1
4.1	250-76-34-000	MARINE BRG HOLDER ASSY	1
4.1.1	250-76-34-180	URETHANE BRG SLEEVE	1
4.1.2	250-76-34-181	BRG SLEEVE HOLDER	2
4.1.3	250-76-34-256	STABILIZER SLEEVE	2
4.2	R20280	URETHANE	1
5	250-92-09-000	TENSION BOLT ASSY	2
5.1	250-92-09-300	TENSION BOLT	1
5.2	R07788	1" HEX NUT	1
6	250-59-00-000	SET SCREW ASSY	1
6.1	250-59-00-141	SS SET SCREW REDDI ROD	1
6.2	R08235	1/2 S.S. HEX NUT	1
7	R20188	1 3/4" FLANGE BRG	1
8	R07806	5/8" LOCK WASHER	4
9	R07786	5/8-11 UNC HEX NUT	4
10	R07788	1" HEX NUT	2
11	R07948	5/32 HAIR PIN	1
12	R20233	1 7/8 SQUARE WOOD BRG	1
13	R08046	1/2-13 UNC JAM NUT	1
14	R07638	1/2 x 1 1/2 UNC HEX BOLT	2
15	R07805	1/2" LOCK WASHER	2

DISCHARGE PIPE

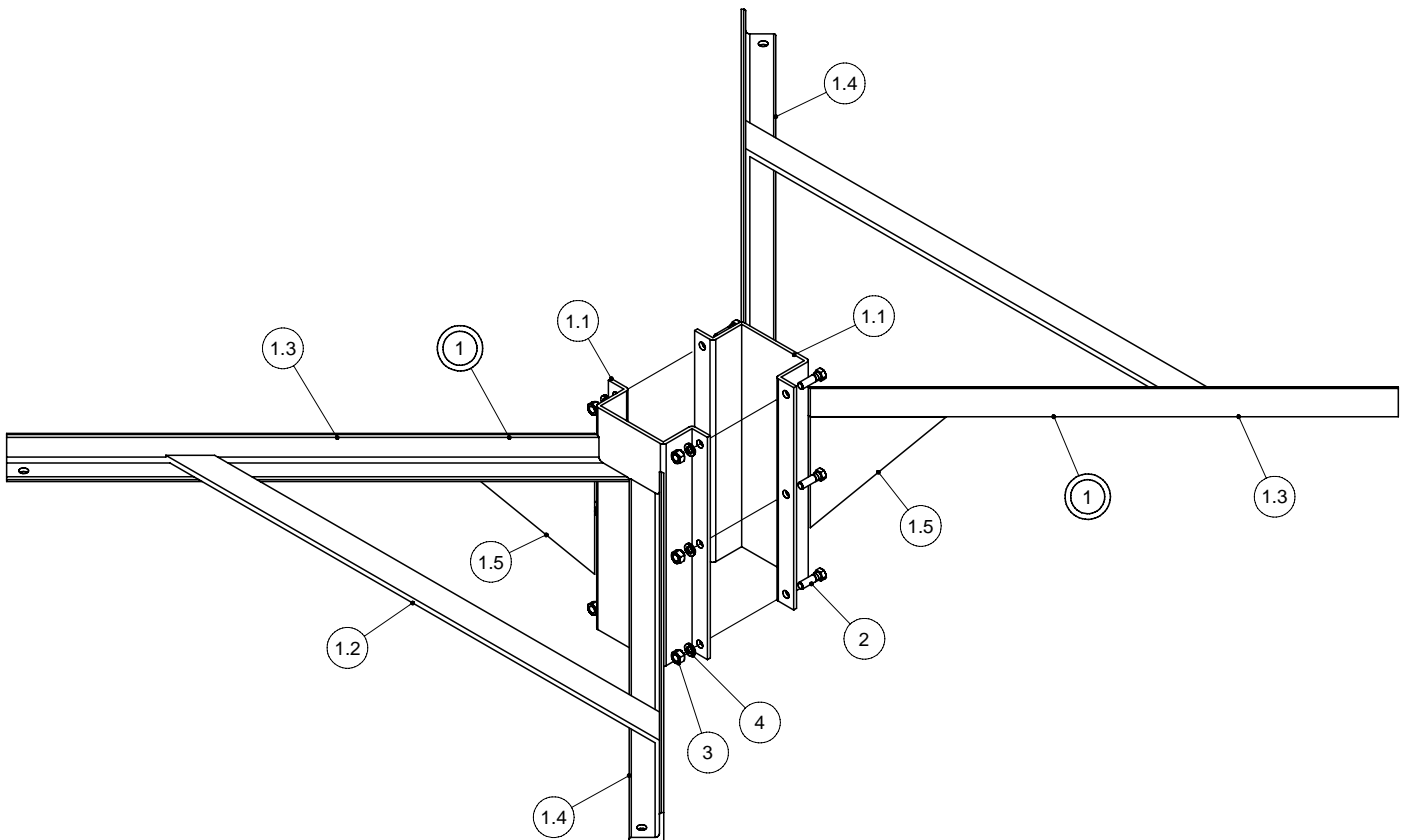
PARTS LIST				PARTS LIST			
ITEM	PART NUMBER	DESCRIPTION	QTY	ITEM	PART NUMBER	DESCRIPTION	QTY
1	250-98-00-000	15 FT DISCHARGE PIPE KIT	*	1.3.4	250-26-22-099	DISCHARGE PIPE HOOK	1
	250-99-00-000	20 FT DISCHARGE PIPE KIT	1	1.4	250-00-00-095	FLEX HOSE SECTION	1
	250-94-00-000	25 FT DISCHARGE PIPE KIT	*	1.5	R07781	1/4 HEX NUT	4
	252-09-00-000	30 FT DISCHARGE PIPE KIT	*	1.6	R09690	"TIE DOWN" DECAL	1
1.1	250-95-00-000	PUMP ELBOW w/ RING ASSY	1	1.7	R07677	1/4 x 3/4 HEX BOLT	4
1.1.1	250-26-21-000	PUMP ELBOW ASSY	1	1.8	R07821	1/4 FLAT WASHER	4
1.1.2	250-95-00-295	CLAMP RING	1	1.9	R09502	"HUSKY" DECAL	1
1.2	R02482	6" HOSE CLAMP	2	2	242-33-00-000	BIPOD LEG ASSY	2
(1.3)	250-55-25-000	20 FT DISCHARGE PIPE ASSY	1	2.1	242-33-00-155	BIPOD LEGS	1
(1.3)	250-94-01-000	25 FT DISCHARGE PIPE ASSY	*	2.2	242-33-00-156	BIPOD LEG HOOK	1
(1.3)	250-09-01-000	30 FT DISCHARGE PIPE ASSY	*	3	242-79-00-000	BIPOD LEG CHAIN ASSY	1
1.3	250-26-22-000	15 FT DISCHARGE PIPE ASSY	*	3.1	242-79-00-199	BIPOD LEG CHAIN	1
1.3.1	250-26-22-096	15 FT DISCHARGE PIPE	*	3.2	242-79-00-198	BIPOD LEG CLIP	2
	250-55-25-134	20 FT DISCHARGE PIPE	1	4	250-97-00-000	CLAMP & CHAIN ASSY	1
	250-94-01-294	25 FT DISCHARGE PIPE	*	4.1	R02487	6" RING LOCK CLAMP	1
	252-09-01-326	30 FT DISCHARGE PIPE	*	4.2	250-97-00-297	CLAMP CHAIN	1
1.3.2	250-26-22-097	DISCHARGE ELBOW CENTER PIECE	1	5	R07948	5/32 HAIR PIN	2
1.3.3	250-26-22-098	DISCHARGE ELBOW END PIECE	1				



FLOOR X FRAME

PARTS LIST			
ITEM	PART NUMBER	DESCRIPTION	QTY
1	250-91-55-000	FLOOR FRAME ASSY	2
1.1	250-88-48-250	SHAFT TUBE CLAMP BRACKET	1
1.2	250-91-55-262	FLOOR BRACKET BRACE	1
1.3	250-91-55-260	FLOOR BRACKET LEG LH	1
1.4	250-91-55-261	FLOOR BRACKET LEG RH	1
1.5	250-91-55-263	GUSSET	2
2	R07629	7/16 x 1 1/2 HEX BOLT	6
3	R07784	7/16 HEX NUT	6
4	R07804	7/16 LOCK WASHER	6

FLOOR X-FRAME 250-91-00-000



DEFLECTOR KIT

PARTS LIST			
ITEM	PART NUMBER	DESCRIPTION	QTY
1	250-85-40-000	DEFLECTOR ARM ASSY	1
1.1	250-85-40-203	MIDDLE DEFLECTOR BAR	1
1.2	250-85-40-202	BOTTOM DEFLECTOR BAR	1
1.3	250-85-40-205	DEFLECTOR ARM GUSSET	1
2	250-85-41-000	HANDLE ASSY	1
2.1	250-85-41-207	LOWER HANDLE	1
2.2	250-84-41-206	UPPER HANDLE	1
2.3	250-85-41-208	STABILIZER PIN BRACKET	1
2.4	250-85-41-209	SPRING STOP	1
3	250-85-42-000	STABILIZER PIN ASSY	1
3.1	250-85-42-212	PIN STEM	1
3.2	250-85-42-211	PIN HANDLE	1
4	250-85-01-000	DEFLECTOR KIT-LESS LEVER & HANDLE	1
4.1	250-85-58-000	FLANGE & CONE ASSY	1
4.1.1	242-58-48-289	CONE EXTENSION PIPE	1
4.1.2	250-93-00-288	FLANGE	1
4.1.3	270-63-30-193	CONE HALF	2
4.1.4	242-58-48-288	OUTER PIVOT BRACKET	2
4.1.5	250-85-38-198	CONE RIBS	4
4.2	250-85-59-000	DEFLECTOR DISCHARGE ASSY	1
4.2.1	250-85-59-292	RH BRACKET	1
4.2.2	242-58-48-292	EXTENSION PIPE	1
4.2.3	242-58-49-290	RH INNER PIVOT BRACKET	1
4.2.4	242-58-49-291	LH INNER PIVOT BRACKET	1
4.2.5	250-85-59-293	LH BRACKET	1
4.3	R02481	4" CLAMP	2
4.4	242-58-00-296	FLEX HOSE	1
4.5	R07731	7/16 x 1 CARRIAGE BOLT	4
4.6	R07824	7/16 FLAT WASHER	4
4.7	R07891	7/16 2-WAY LOCK NUT	4
4.8	244-05-00-281	SPACER PIPE	4
5	250-85-00-213	ADJUSTING PLATE	1
6	250-00-00-289	SPACER	2
7	R08024	1/2 x 2 1/4 COMP. SPRING	1
8	R07823	3/8 FLAT WASHER	1
9	R07977	3/16 x 1 1/4 ROLL PIN	1
10	R07671	7/16 x 1 1/4 HEX BOLT	2
11	R07891	7/16 2-WAY LOCK NUT	2
12	R07803	3/8 LOCK WASHER	2
13	R07783	3/8 HEX NUT	2
14	R07649	5/8 x 3 HEX BOLT	1
15	R07619	3/8 x 1 HEX BOLT	2
16	R07887	5/8 HEX NUT	1

CHT SAND KIT

PARTS LIST				PARTS LIST			
ITEM	PART NUMBER	DESCRIPTION	QTY	ITEM	PART NUMBER	DESCRIPTION	QTY
1	252-06-00-000	CHT FAN HOUSING ASSY	1	2.3	250-04-00-015	CUTTER PLATE	1
1.1	252-06-00-316	CHT LOWER FAN HOUSING PLATE	1	2.4	252-08-00-325	CHT INLET RING	1
1.2	252-06-00-317	CHT HOUSING BAND	1	2.5	250-04-00-173	FOOT GUSSET	2
1.3	252-06-00-315	CHT UPPER FAN HOUSING PLATE	1	3	252-07-00-000	CHT IMPELLER ASSY	1
1.4	252-06-00-319	CHT HOUSING DEFLECTOR PLATE	1	3.1	250-03-11-018	IMPELLER GUIDE RING	1
1.5	252-06-00-318	CHT SIDE PLATE	1	3.2	252-07-00-322	CHT IMPELLER BACK PLATE	1
1.6	252-06-00-321	CHT INNER HOUSING RING	1	3.3	252-07-00-323	CHT IMPELLER BLADE	4
1.7	250-72-00-164	DISCHARGE TUBE	1	4	R07731	7/16 x 1 CARRIAGE BOLT	6
1.8	252-06-00-320	CHT CORNER GUSSET	2	5	R07804	7/16 LOCK WASHER	6
2	252-08-00-000	COVER PLATE ASSY	1	6	R07784	7/16 HEX NUT	6
2.1	250-04-03-000	FOOT ASSY	1	7	R07721	3/8 x 1 CARRIAGE BOLT	8
2.1.1	250-04-03-012	FOOT END	1	8	R07803	3/8 LOCK WASHER	8
2.1.2	250-04-03-013	FOOT PLATE	1	9	R07783	3/8 HEX NUT	8
2.2	252-08-00-324	CHT COVER PLATE	1				

