



Date Purchased _____ Machine Serial No. _____

Size of Pump _____ Options _____

The key number system in this parts book is arranged as follows:

-  - Key numbers with two circles denotes main assemblies.
-  - Key numbers with one circle are individual parts

Please order parts by number



K-31 ELECTRIC

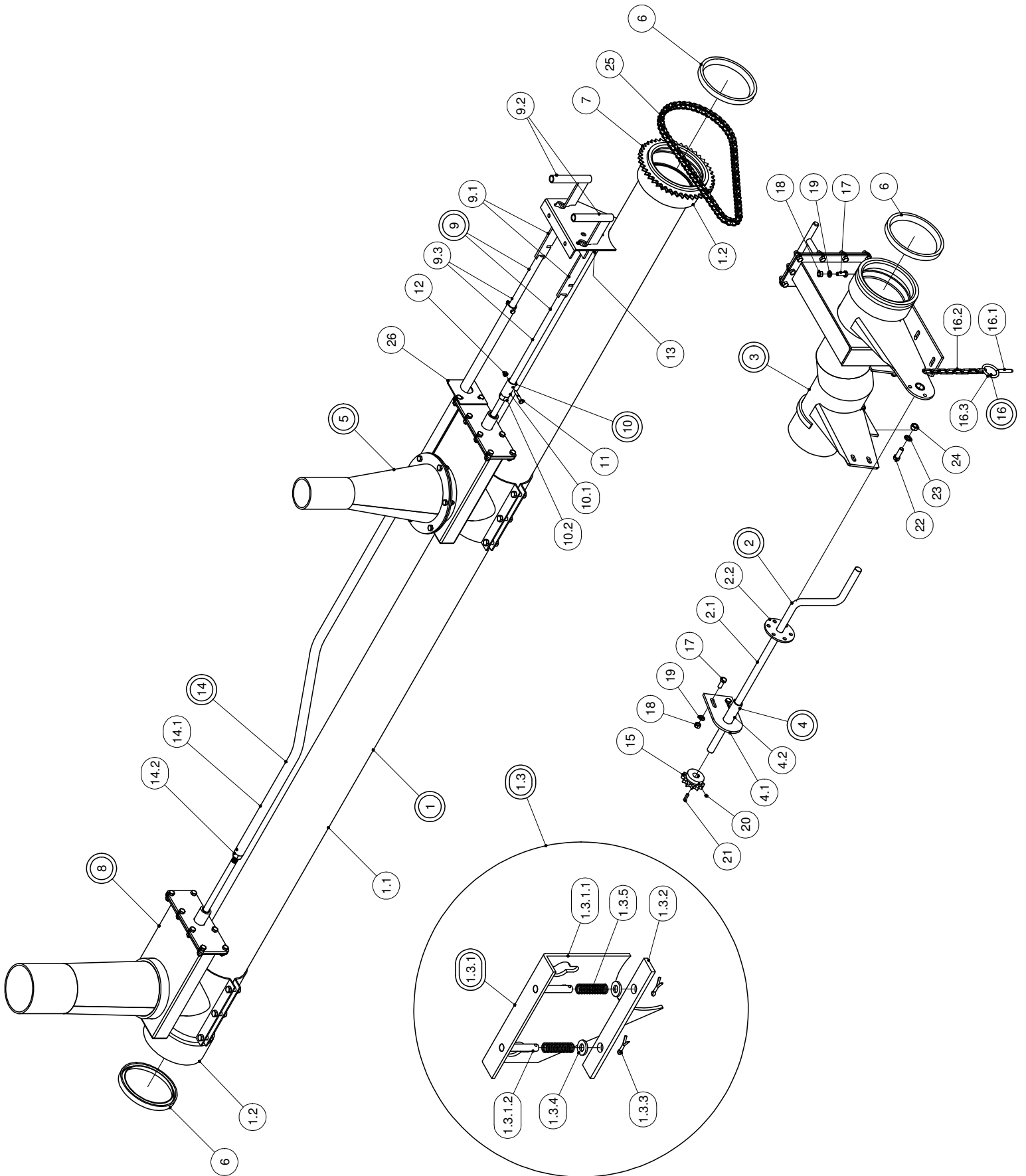
K-31 ELECTRIC VERTICAL PIT PUMP

8ft 250-92-00-000 • 10ft 252-93-00-000 • 12ft 254-94-00-000

OPERATING INSTRUCTIONS:

1. Read operators manual and always follow the safety instructions. Never attempt any repairs while machine is operating or while installed in pit.
2. Pump must turn counter-clockwise when looking down from top.
3. Fasten pump solid so it will not move when operating.
4. Make sure all moving parts are shielded.
5. Keep children and livestock away from pump.
6. Have an Electrician check amp draw when operating to make sure the motor has enough electricity.
7. The (Polyurethane) marine bearing at the bottom of the pump is lubricated with manure or water. If the level of the liquid is below the bearing and you are running for long periods put a water hose in the top of the drive tube.
8. Always fill all hydraulic motors and cylinders with oil before installing in pit.
9. Keep belts snug but not overly tight.
10. **EXTREME DANGER** – Never enter a dirty manure spreader or storage tank – one breath of hydrogen sulphide gas is enough to kill. Have a ladder in your pit, so that if by accident you should fall in, you can get out.

K-31 ELECTRIC STANDPIPE ASSY

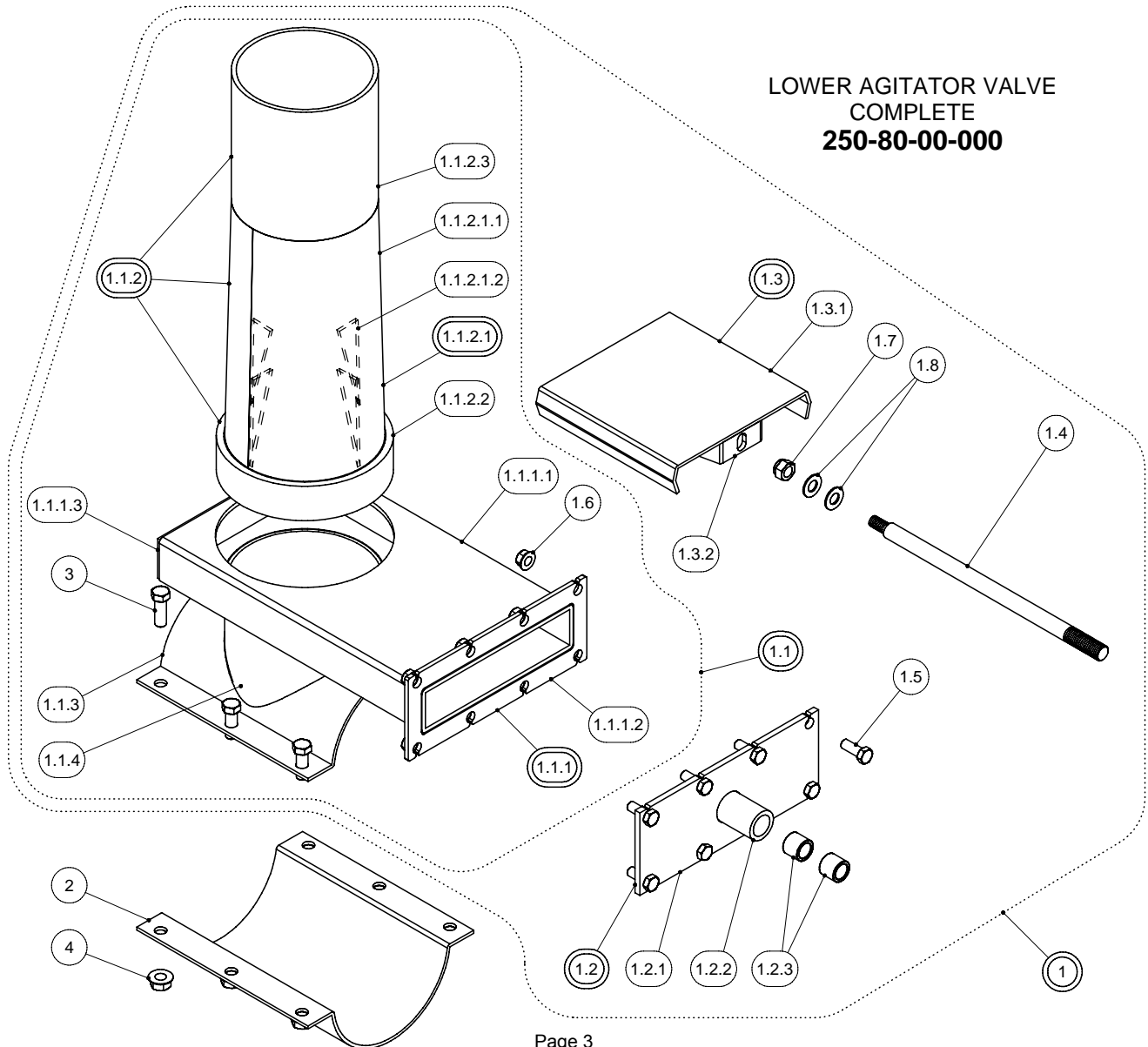


K-31 ELECTRIC STANDPIPE ASSY

PARTS LIST				PARTS LIST			
ITEM	PART NUMBER	DESCRIPTION	QTY	ITEM	PART NUMBER	DESCRIPTION	QTY
1	250-67-00-000	STANDPIPE ASSY - 8 FT PUMP	1	9.3	250-22-00-046	UPPER CONTROL ROD	1
1	252-68-00-000	STANDPIPE ASSY - 10 FT PUMP	1	10	250-19-00-000	CONTROL ROD ATTACHMENT ASSY	1
1	254-69-00-000	STANDPIPE ASSY - 12 FT PUMP	1	10.1	250-19-00-045	UPPER CONTROL ROD ATTACHMENT	1
1.1	250-67-00-152	STANDPIPE - 8 FT	1	10.2	R07786	5/8 HEX NUT	1
1.1	252-68-00-153	STANDPIPE - 10 FT	1	11	R07603	1/4 x 1 1/2 HEX BOLT	3
1.1	254-69-00-154	STANDPIPE - 12 FT	1	12	R08048	1/4" 2 WAY LOCK NUT	3
1.2	250-67-00-168	GASKET SLEEVE	2	13	250-12-00-044	CONTROL PLATE GUSSET	1
1.3	250-67-34-000	CONTROL PLATE KIT	1	14	250-20-00-000	8 FT LOWER CONTROL ROD ASSY	1
1.3.1	250-67-33-000	CONTROL PLATE ASSY	1	14	252-42-00-000	10 FT LOWER CONTROL ROD ASSY	1
1.3.1.1	250-67-33-178	CONTROL PLATE	1	14	254-43-00-000	12 FT LOWER CONTROL ROD ASSY	1
1.3.1.2	250-67-33-176	CONTROL PLATE PIN	2	14.1	250-20-00-075	LOWER CONTROL - 8 FT PUMP	1
1.3.2	250-00-00-175	SPRING PLATE	1	14.1	252-42-00-110	LOWER CONTROL - 10 FT PUMP	1
1.3.3	R08021	1/8 x 1 S.S. COTTER PIN	2	14.1	254-43-00-112	LOWER CONTROL - 12 FT PUMP	1
1.3.4	R07823	3/8 FLAT WASHER	2	14.2	R07786	5/8 HEX NUT	1
1.3.5	R08024	1/2 x 2 1/4 COMP. SPRING	2	15	R20613	A50B12 w/ 3/4" BORE SPRKT	1
1.4	R20612	50A44 SPROCKET	1	16	250-18-00-000	LOCK PIN ASSY w/ CHAIN	1
2	250-92-02-000	CRANK ASSY	1	16.1	250-18-00-071	LOCK PIN	1
2.1	250-92-02-267	CRANK	1	16.2	250-18-00-067	LOCK PIN CHAIN	1
2.2	250-17-00-070	CRANK LOCK PLATE	1	16.3	250-00-00-354	1/4 X 1 1/2" RING	1
3	250-92-01-000	UPPER VALVE AND EXT. PIPE ASSY	1	17	R07619	3/8 x 1 UNC HEX BOLT	3
4	250-92-07-000	LOWER CRANK ADJUST. PLATE ASSY	1	18	R07783	3/8-16 UNC HEX NUT	3
4.1	250-92-07-286	LOWER CRANK ADJUST. PLATE	1	19	R07803	3/8" LOCK WASHER	3
4.2	250-92-07-287	SLEEVE	1	20	R07910	1/4 x 1/4" SET SCREW	2
5	250-86-00-000	UPPER AGITATOR VALVE & TEE COMPLETE	1	21	250-00-00-124	3/16 KEY	1
				22	R07671	7/16 x 1 1/4 UNC HEX BOLT	6
6	R02366	6" RUBBER GASKET	3	23	R07804	7/16" LOCK WASHER	6
7	R20612	50A44 SPROCKET	1	24	R07784	7/16-14 UNC HEX NUT	6
8	250-80-00-000	LOWER AGITATOR VALVE COMPLETE	1	25	250-00-00-104	#50 ROLLER CHAIN	1
9	250-22-00-000	CONTROL ROD ASSY	2	26	250-00-00-160	CONTROL ROD SUPPORT	1
9.1	250-21-00-076	LEVER PLATE	1				
9.2	250-21-00-072	LEVER HANDLE	1				

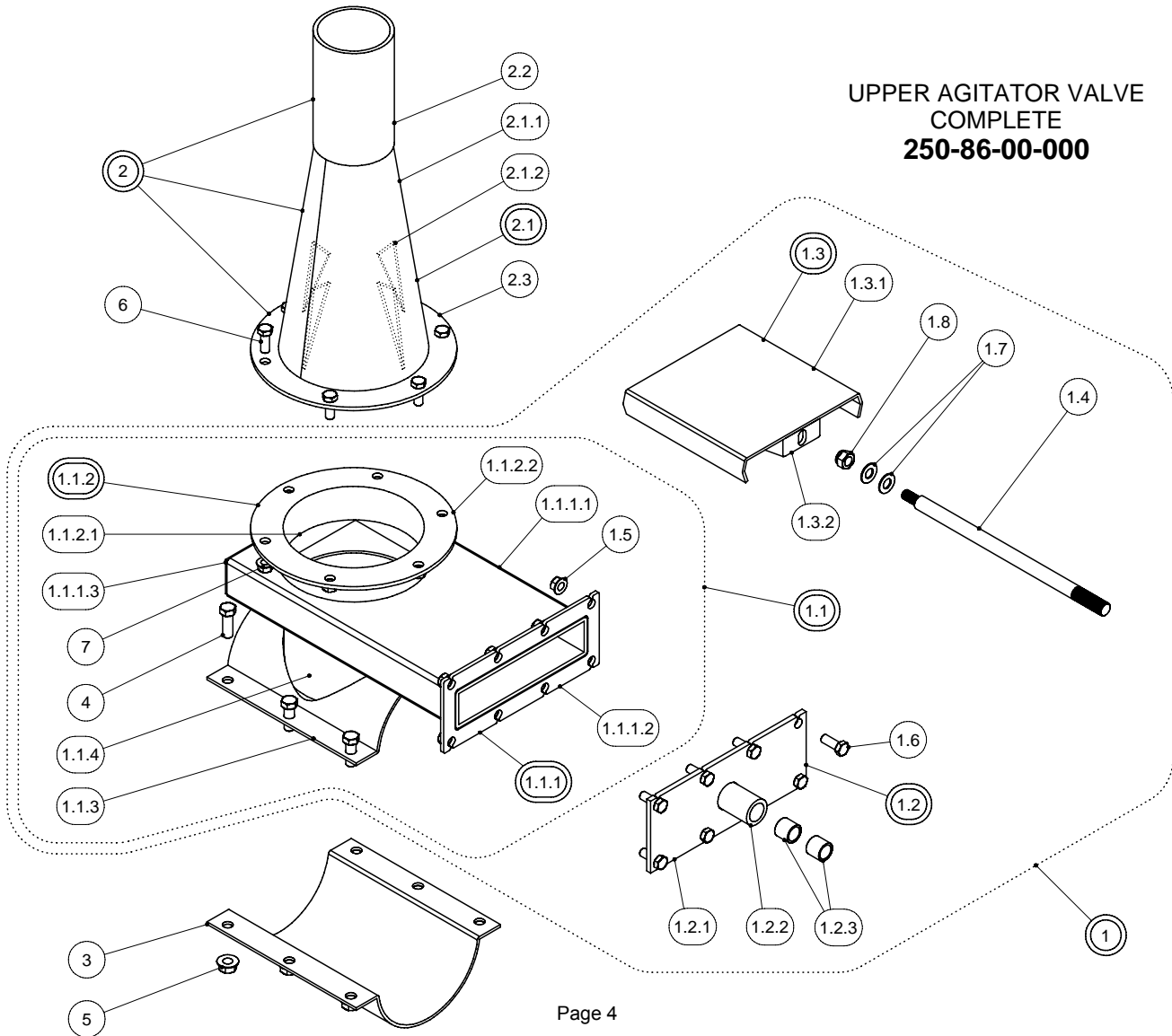
LOWER AGITATOR VALVE

PARTS LIST				PARTS LIST			
ITEM	PART NUMBER	DESCRIPTION	QTY	ITEM	PART NUMBER	DESCRIPTION	QTY
1	250-80-01-000	LOWER AGITATOR VALVE & TEE ASSY	1	1.2.1	250-79-36-188	VALVE OUTER FLANGE	1
1.1	250-79-00-000	LOWER AGITATOR VALVE ASSY	1	1.2.2	250-08-06-030	VALVE BUSHING HOLDER	1
1.1.1	250-79-35-000	AGITATOR VALVE HOUSING ASSY	1	1.2.3	R21167	7/8 OD x 5/8 ID x 3/4 LONG BUSHING	2
1.1.1.1	250-79-35-189	VALVE HOUSING	1	1.3	275-17-00-000	VALVE GATE ASSY	1
1.1.1.2	275-01-02-012	VALVE FLANGE	1	1.3.1	275-17-00-080	VALVE GATE	1
1.1.1.3	275-01-02-062	VALVE END CAP	1	1.3.2	275-17-00-081	VALVE GATE BRACKET	1
1.1.2	250-79-53-000	LOWER AGIT. CONE & MOUNT ASSY	1	1.4	250-00-00-023	VALVE SHAFT	1
1.1.2.1	250-09-08-000	LOWER AGITATOR CONE ASSY	1	1.5	R07619	3/8 x 1 UNC HEX BOLT	8
1.1.2.1.1	250-09-08-036	LOWER CONE HALF	2	1.6	R07794	3/8-16 UNC FLANGE NUT	8
1.1.2.1.2	250-09-08-037	CONE RIBS	4	1.7	R08229	7/16 UNC SS NYLOCK NUT	1
1.1.2.2	250-09-08-031	CONE MOUNT	1	1.8	R08221	7/16" SS FLAT WASHER	2
1.1.2.3	250-79-53-330	LOWER CONE EXTENSION TUBE	1	2	250-00-00-151	CLAMP ON BRACKET	1
1.1.3	250-66-00-150	CONE CLAMP ON BRACKET	1	3	R07671	7/16 x 1 1/4 UNC HEX BOLT	6
1.1.4	250-09-07-035	TEE SIDE	1	4	R07879	7/16-14 UNC FLANGE NUT	6
1.2	250-79-36-000	OUTER FLANGE ASSY w/ BUSHINGS	1				



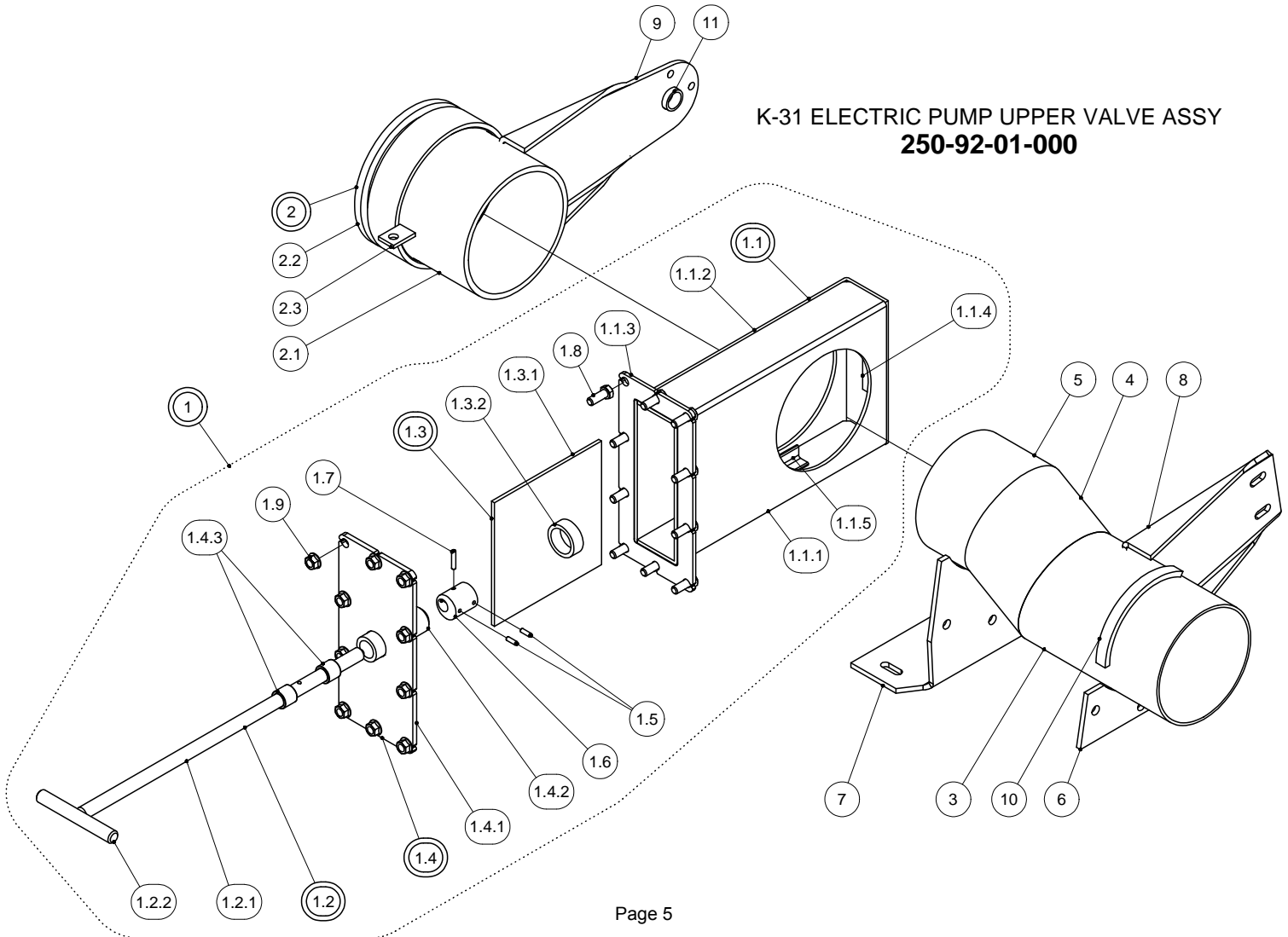
UPPER AGITATOR VALVE COMPLETE

PARTS LIST				PARTS LIST			
ITEM	PART NUMBER	DESCRIPTION	QTY	ITEM	PART NUMBER	DESCRIPTION	QTY
1	250-86-01-000	UPPER AGITATOR VALVE ASSY	1	1.3.2	275-17-00-081	VALVE GATE BRACKET	1
1.1	250-90-00-000	UPPER AGITATOR VALVE ASSY	1	1.4	250-00-00-023	VALVE SHAFT	1
1.1.1	250-79-35-000	AGITATOR VALVE HOUSING ASSY	1	1.5	R07794	3/8-16 UNC FLANGE NUT	8
1.1.1.1	250-79-35-189	VALVE HOUSING	1	1.6	R07619	3/8 x 1 UNC HEX BOLT	8
1.1.1.2	275-01-02-012	VALVE FLANGE	1	1.7	R08221	7/16" SS FLAT WASHER	2
1.1.1.3	275-01-02-062	VALVE END CAP	1	1.8	R08229	7/16 UNC SS NYLOCK NUT	1
1.1.2	250-90-57-000	UPPER MOUNT & VALVE ASSY	1	2	250-93-00-000	UPPER CONE & FLANGE ASSY	1
1.1.2.1	250-09-08-031	CONE MOUNT	1	2.1	250-86-43-000	UPPER CONE & FLANGE ASSY	1
1.1.2.2	250-93-00-288	FLANGE	1	2.1.1	250-86-43-214	UPPER CONE HALF	2
1.1.3	250-66-00-150	CONE CLAMP ON BRACKET	1	2.1.2	250-09-08-037	CONE RIBS	4
1.1.4	250-09-07-035	TEE SIDE	1	2.2	250-93-00-331	UPPER CONE EXTENSION TUBE	1
1.2	250-79-36-000	OUTER FLANGE ASSY w/ BUSHINGS	1	2.3	250-93-00-288	FLANGE	1
1.2.1	250-79-36-188	VALVE OUTER FLANGE	1	3	250-00-00-151	CLAMP ON BRACKET	1
1.2.2	250-08-06-030	VALVE BUSHING HOLDER	1	4	R07671	7/16 x 1 1/4 UNC HEX BOLT	6
1.2.3	R21167	7/8 OD x 5/8 ID x 3/4 LONG BUSHING	2	5	R07879	7/16-14 UNC FLANGE NUT	6
1.3	275-17-00-000	VALVE GATE ASSY	1	6	R07619	3/8 x 1 UNC HEX BOLT	6
1.3.1	275-17-00-080	VALVE GATE	1	7	R07794	3/8-16 UNC FLANGE NUT	6



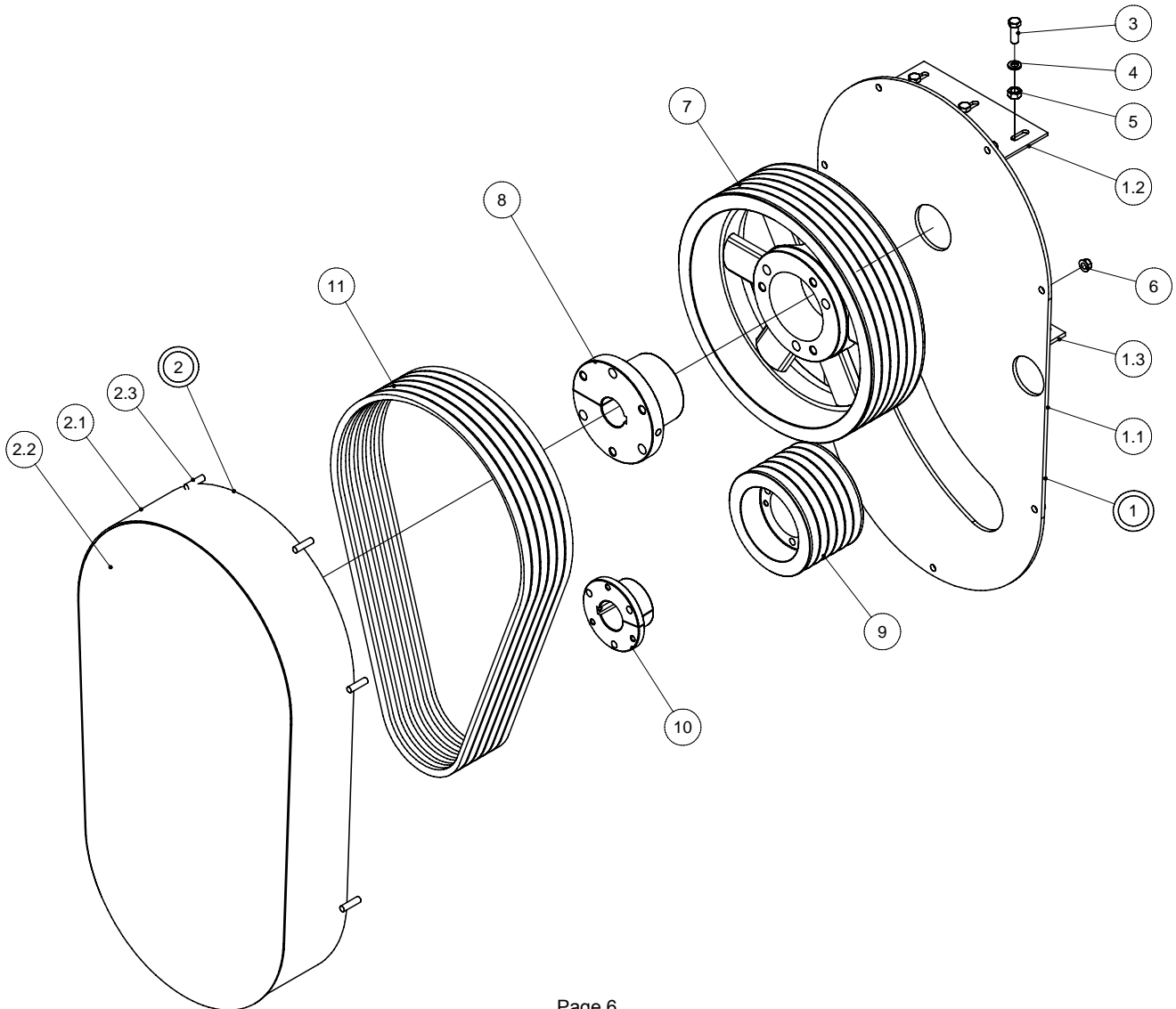
K-31 ELECTRIC UPPER VALVE ASSY

PARTS LIST				PARTS LIST			
ITEM	PART NUMBER	DESCRIPTION	QTY	ITEM	PART NUMBER	DESCRIPTION	QTY
1	250-14-00-000	UPPER VALVE ASSY COMPLETE	1	1.6	250-14-14-056	SS CAM	1
1.1	250-14-12-000	UPPER VALVE HOUSING ASSY	1	1.7	R08241	3/16 x 1 SS ROLL PIN	1
1.1.1	250-14-12-047	UPPER VALVE BOTTOM PLATE	1	1.8	R07619	3/8 x 1 UNC HEX BOLT	10
1.1.2	250-14-12-048	UPPER VALVE COVER PLATE	1	1.9	R07794	3/8-16 UNC FLANGE NUT	10
1.1.3	250-14-12-049	UPPER VALVE FLANGE	1	2	250-96-01-000	UPPER EXTENSION PIPE ASSY	1
1.1.4	250-14-12-050	HOLD DOWN BAR	1	2.1	250-15-17-061	VALVE EXTENSION PIPE	1
1.1.5	250-14-12-051	VALVE GUIDE	2	2.2	250-96-01-296	6" COUPLING BASE TUBE	1
1.2	250-14-15-000	HANDLE ASSY	1	2.3	250-96-00-298	CHAIN LUG	1
1.2.1	250-14-15-057	UPPER VALVE SHAFT	1	3	250-92-01-338	LOWER ANGLE PIPE	1
1.2.2	250-14-15-058	TEE HANDLE	1	4	250-92-01-337	MIDDLE ANGLE PIPE	1
1.3	250-14-13-000	UPPER VALVE GATE ASSY	1	5	250-92-01-336	UPPER ANGLE PIPE	1
1.3.1	250-14-13-052	UPPER VALVE GATE	1	6	250-92-01-339	MOUNT BRKT	1
1.3.2	250-14-13-053	CAM HOLDER	1	7	250-92-01-274	UPPER GUARD BRKT	1
1.4	250-14-11-000	FLANGE ASSY	1	8	250-92-01-266	LOWER CRANK BRKT	1
1.4.1	250-14-14-054	UPPER VALVE COVER PLATE	1	9	250-92-01-265	UPPER CRANK BRKT	1
1.4.2	250-14-14-055	VALVE BEARING SLEEVE	1	10	250-15-00-170	STOP RING	1
1.4.3	R21167	7/8 OD x 5/8 ID x 3/4 LONG BUSHING	2	11	250-16-18-066	SLEEVE	1
1.5	R07986	3/16 x 5/8 HARDENED DOWEL PIN	2				

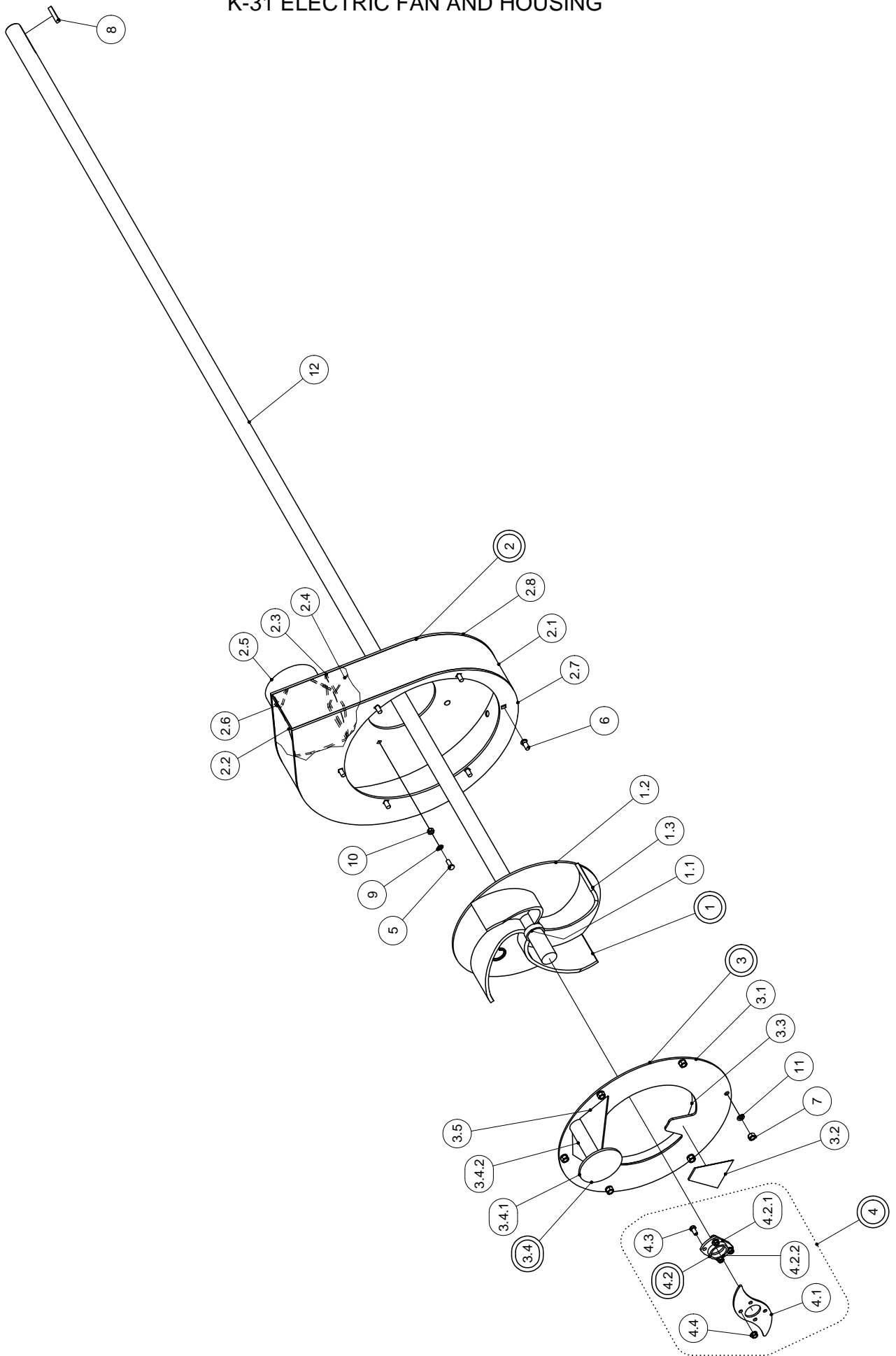


K-31 ELECTRIC GUARD & PULLEYS

PARTS LIST			
ITEM	PART NUMBER	DESCRIPTION	QTY
1	250-92-06-000	PULLEY GUARD BACK PLATE	1
1.1	250-92-06-280	GUARD BACK PLATE	1
1.2	250-92-06-283	GUARD UPPER BRKT	1
1.3	250-92-03-275	GUARD BRKT	1
2	250-92-05-000	PULLEY GUARD ASSY	1
2.1	250-92-05-281	GUARD SIDE	1
2.2	250-92-05-282	GUARD TOP	1
2.3	250-92-05-285	GUARD STUD	7
3	R07671	7/16 x 1 1/4 UNC HEX BOLT	6
4	R07804	7/16" LOCK WASHER	6
5	R07784	7/16-14 UNC HEX NUT	6
6	R07794	3/8-16 UNC FLANGE NUT	7
7	R21135	6-5V16.0 PULLEY SHEAVE	1
8	R21137	FX-1 3/4 PULLEY BUSHING	1
9	R21136	6-5V6.7 PULLEY SHEAVE	1
10	R21138	SFX-1 7/8 PULLEY BUSHING	1
11	R20977	R5V670-6R V-BELT	1



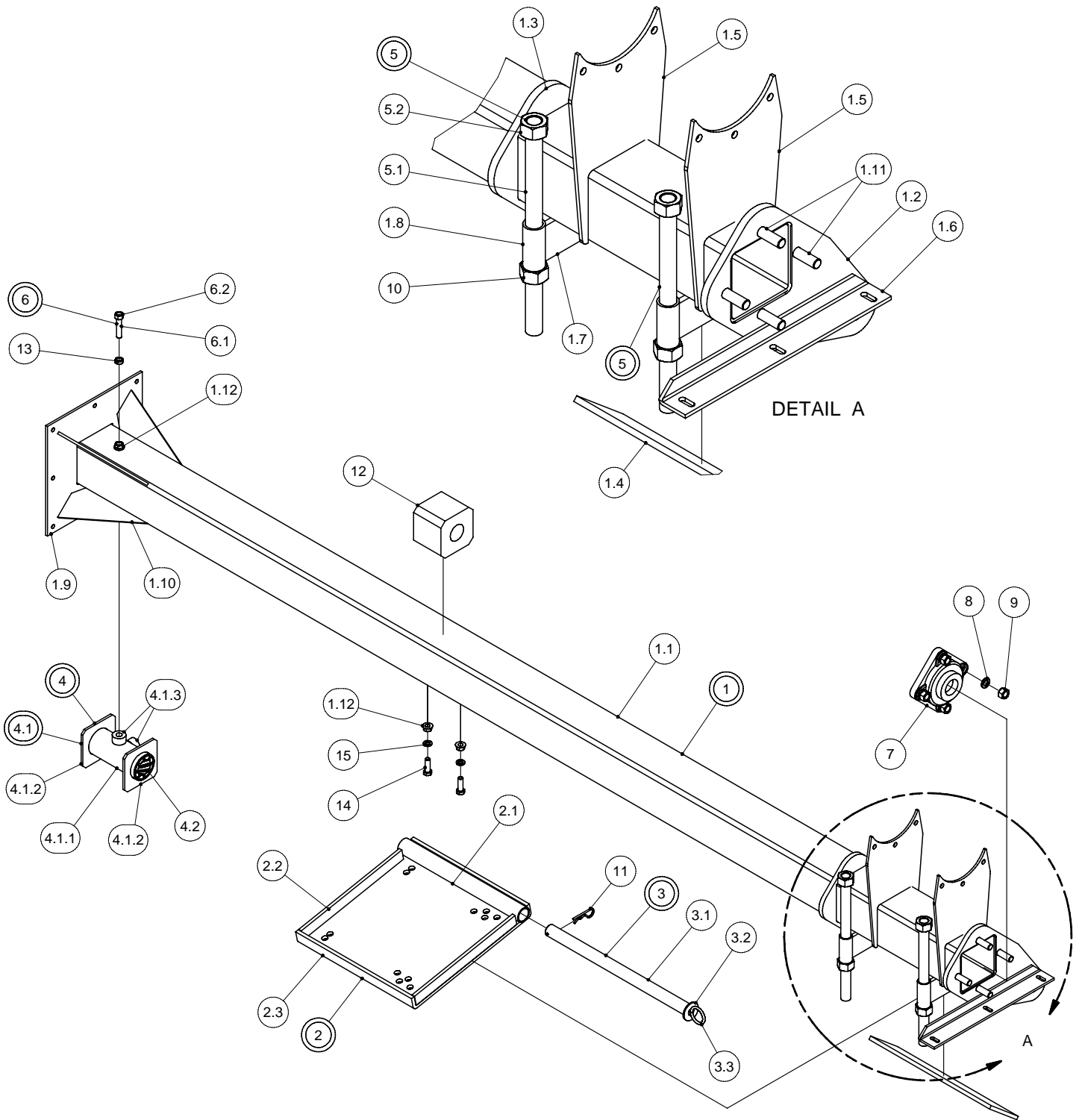
K-31 ELECTRIC FAN AND HOUSING



K-31 ELECTRIC FAN AND HOUSING

PARTS LIST			
ITEM	PART NUMBER	DESCRIPTION	QTY
1	252-07-00-000	CHT IMPELLER ASSY	1
1.1	250-03-11-018	IMPELLER GUIDE RING	1
1.2	252-07-00-322	CHT IMPELLER BACK PLATE	1
1.3	252-07-00-323	CHT IMPELLER BLADE	4
2	250-72-00-000	FAN HOUSING ASSY	1
2.1	250-72-00-163	HOUSING BAND	1
2.2	250-72-00-166	HOUSING DEFLECTOR PLATE	1
2.3	250-72-00-165	SIDE PLATE	1
2.4	250-72-00-167	INNER HOUSING RING	1
2.5	250-72-00-164	DISCHARGE TUBE	1
2.6	250-72-00-169	HOUSING CORNER GUSSET	2
2.7	250-72-00-162	LOWER FAN HOUSING PLATE	1
2.8	250-72-00-161	UPPER FAN HOUSING PLATE	1
3	252-08-00-000	COVER PLATE ASSY	1
3.1	252-08-00-324	CHT COVER PLATE	1
3.2	250-04-00-015	CUTTER PLATE	1
3.3	252-08-00-325	CHT INLET RING	1
3.4	250-04-03-000	FOOT ASSY	1
3.4.1	250-04-03-012	FOOT END	1
3.4.2	250-04-03-013	FOOT PLATE	1
3.5	250-04-00-173	FOOT GUSSET	2
4	250-73-00-000	CUTTER BLADE KIT	1
4.1	250-73-00-308	CUTTER BLADE	1
4.2	250-73-32-000	CUTTER BLADE BRACKET ASSY	1
4.2.1	250-73-32-172	CUTTER BLADE BRACKET	1
4.2.2	250-73-32-171	CUTTER BLADE RING	1
4.3	R07688	3/8 x 3/4 UNC HEX BOLT	4
4.4	R07794	3/8-16 UNC FLANGE NUT	4
5	R07721	3/8 x 1 CARRIAGE BOLT	8
6	R07731	7/16 x 1 CARRIAGE BOLT	6
7	R07784	7/16 HEX NUT	6
8	270-00-00-075	3/8 KEY - 50mm LONG	1
9	R07803	3/8 LOCK WASHER	8
10	R07783	3/8 HEX NUT	8
11	R07804	7/16 LOCK WASHER	6
12	250-00-00-314	DRIVE SHAFT - 8 FT ELECTRIC K31	1
	252-00-00-417	DRIVE SHAFT - 10 FT ELECTRIC K31	1
	254-00-00-418	DRIVE SHAFT - 12 FT ELECTRIC K31	1

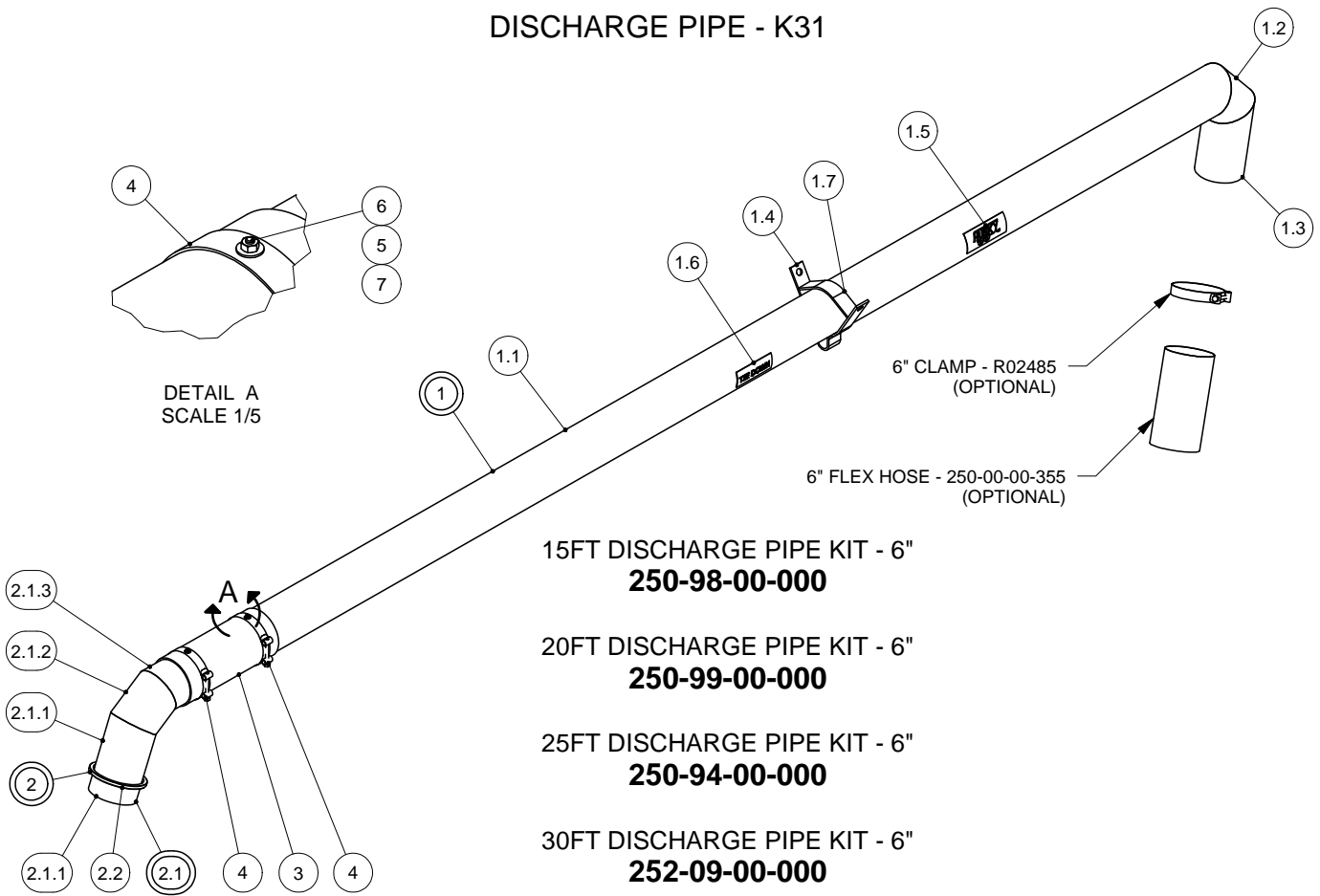
K-31 ELECTRIC SHAFT TUBE ASSY



K-31 ELECTRIC SHAFT TUBE ASSY

PARTS LIST			
ITEM	PART NUMBER	DESCRIPTION	QTY
1	250-92-03-000	8ft K-31 ELECTRIC SHAFT TUBE ASSY	1
	252-93-04-000	10ft K-31 ELECTRIC SHAFT TUBE ASSY	1
	254-94-05-000	12ft K-31 ELECTRIC SHAFT TUBE ASSY	1
1.1	250-92-03-276	8ft ELECTRIC K-31 SHAFT TUBE	1
	252-93-04-419	10ft ELECTRIC K-31 SHAFT TUBE	1
	254-94-05-420	12ft ELECTRIC K-31 SHAFT TUBE	1
1.2	250-92-03-270	MOTOR BRKT	1
1.3	250-92-03-269	LOWER MOTOR BRKT	1
1.4	250-92-03-271	MOTOR BRKT SUPPORT	1
1.5	250-92-03-268	MOUNT BRKT	2
1.6	250-92-03-275	GUARD BRKT	1
1.7	250-92-03-272	BELT TIGHTENER BRKT	2
1.8	250-92-03-273	BELT TIGHTENER SLEEVE	2
1.9	250-05-00-073	LOWER SHAFT TUBE FLANGE	1
1.10	250-05-00-077	SHAFT TUBE GUSSET	4
1.11	250-92-03-412	REDDI THREAD	4
1.12	R08304	1/2-13 UNC SS FLANGE NUT	3
2	250-92-04-000	MOTOR MOUNT ASSY	1
2.1	250-92-04-279	MOTOR MOUNT SLEEVE	1
2.2	250-92-04-278	MOTOR MOUNT REINF. BAR	2
2.3	250-92-04-277	MOTOR MOUNT PLATE	1
3	250-92-08-000	MOTOR MOUNT PIN ASSY	1
3.1	250-92-08-299	MOTOR MOUNT PIN	1
3.2	R07827	3/4" FLAT WASHER	1
3.3	250-00-00-354	1/4 X 1 1/2" RING	1
4	250-76-00-000	MARINE BRG & HOLDER COMPLETE	1
4.1	250-76-34-000	MARINE BRG HOLDER ASSY	1
4.1.1	250-76-34-180	URETHANE BRG SLEEVE	1
4.1.2	250-76-34-181	BRG SLEEVE HOLDER	2
4.1.3	250-76-34-256	STABILIZER SLEEVE	2
4.2	R20280	URETHANE	1
5	250-92-09-000	TENSION BOLT ASSY	2
5.1	250-92-09-300	TENSION BOLT	1
5.2	R07788	1" HEX NUT	1
6	250-59-00-000	SET SCREW ASSY	1
6.1	250-59-00-141	SS SET SCREW REDDI ROD	1
6.2	R08235	1/2 S.S. HEX NUT	1
7	R20188	1 3/4" FLANGE BRG	1
8	R07806	5/8" LOCK WASHER	4
9	R07786	5/8-11 UNC HEX NUT	4
10	R07788	1" HEX NUT	2
11	R07948	5/32 HAIR PIN	1
12	R20233	1 7/8 SQUARE WOOD BRG	1
13	R08046	1/2-13 UNC JAM NUT	1
14	R07638	1/2 x 1 1/2 UNC HEX BOLT	2
15	R07805	1/2" LOCK WASHER	2

DISCHARGE PIPE - K31



15FT DISCHARGE PIPE KIT - 6"
250-98-00-000

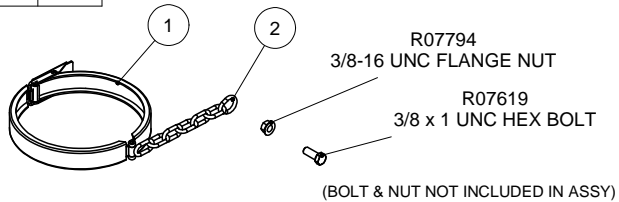
20FT DISCHARGE PIPE KIT - 6"
250-99-00-000

25FT DISCHARGE PIPE KIT - 6"
250-94-00-000

30FT DISCHARGE PIPE KIT - 6"
252-09-00-000

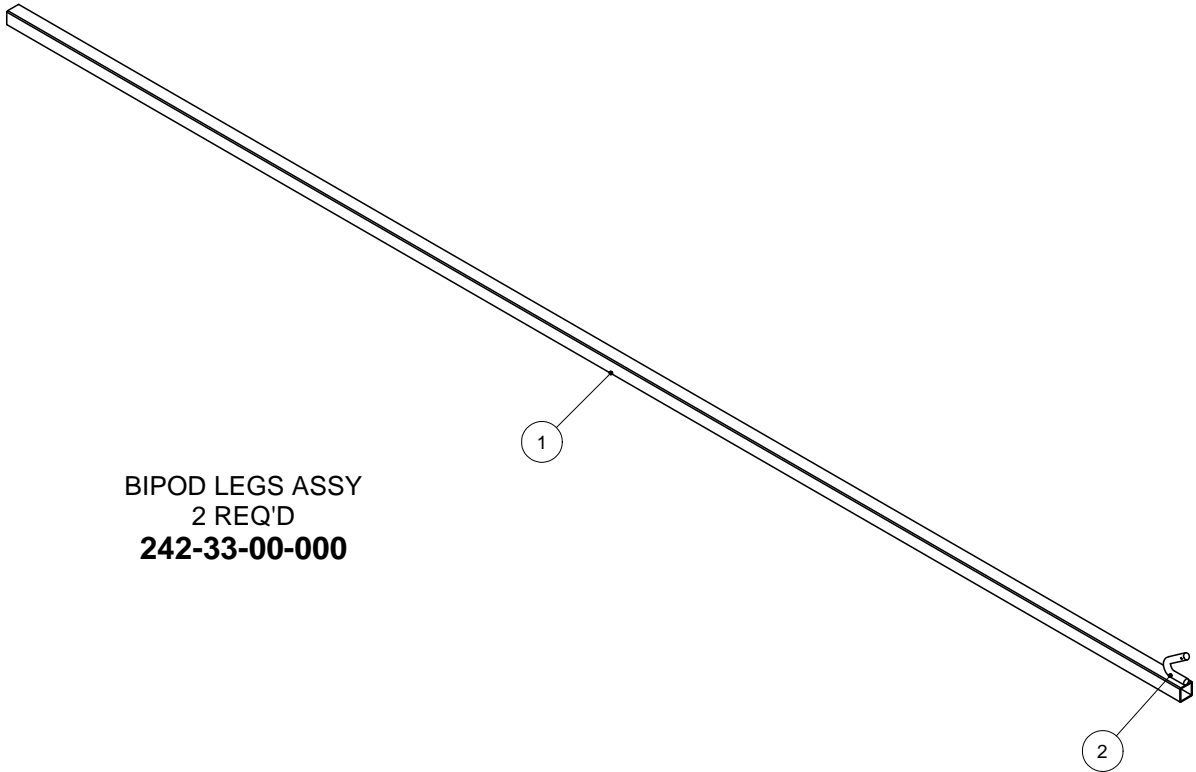
PARTS LIST				PARTS LIST			
ITEM	PART NUMBER	DESCRIPTION	QTY	ITEM	PART NUMBER	DESCRIPTION	QTY
1	250-26-22-000	15 FT DISCHARGE PIPE ASSY	1	1.7	250-26-22-397	6" PIPE HOOK REINF STRAP	1
	250-55-25-000	20 FT DISCHARGE PIPE ASSY	1	2	250-95-00-000	PUMP ELBOW w/ RING ASSY	1
	250-94-01-000	25 FT DISCHARGE PIPE ASSY	1	2.1	250-26-21-000	PUMP ELBOW ASSY	1
	252-09-01-000	30 FT DISCHARGE PIPE ASSY	1	2.1.1	250-26-21-092	PUMP ELBOW BASE SECTION	1
1.1	250-26-22-096	15 FT DISCHARGE PIPE	1	2.1.2	250-26-21-093	PUMP ELBOW MIDDLE SECTION	1
	250-55-25-134	20 FT DISCHARGE PIPE	1	2.1.3	250-26-21-094	PUMP ELBOW UPPER SECTION	1
	250-94-01-294	25 FT DISCHARGE PIPE	1	2.2	250-95-00-295	CLAMP RING	1
	252-09-01-326	30 FT DISCHARGE PIPE	1	3	250-00-00-095	FLEX HOSE SECTION	1
1.2	250-26-22-097	DISCHARGE ELBOW CENTER PC	1	4	R02482	6" HOSE CLAMP	2
1.3	250-26-22-098	DISCHARGE ELBOW END PC	1	5	R07781	1/4-20 UNC HEX NUT	4
1.4	250-26-22-099	DISCHARGE PIPE HOOK	1	6	R07677	1/4 x 3/4 UNC HEX BOLT	4
1.5	R09502	"HUSKY" DECAL	1	7	R07821	1/4" FLAT WASHER	4
1.6	R09690	"TIE DOWN" DECAL	1				

6" CLAMP & CHAIN ASSY
250-97-00-000



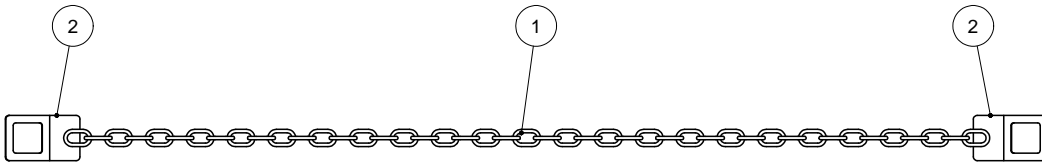
PARTS LIST			
ITEM	PART NUMBER	DESCRIPTION	QTY
1	R02487	6" RING LOCK CLAMP	1
2	250-97-00-297	CLAMP CHAIN	1

DISCHARGE PIPE - K31 CON'T



BIPOD LEGS ASSY
2 REQ'D
242-33-00-000

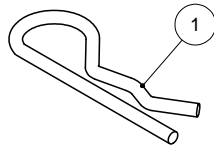
PARTS LIST			
ITEM	PART NUMBER	DESCRIPTION	QTY
1	242-33-00-155	BIPOD LEGS	1
2	242-33-00-156	BIPOD LEG HOOK	1



BIPOD LEG CHAIN ASSY
242-79-00-000

PARTS LIST			
ITEM	PART NUMBER	DESCRIPTION	QTY
1	242-79-00-199	BIPOD LEG CHAIN	1
2	242-79-00-198	BIPOD LEG CLIP	2

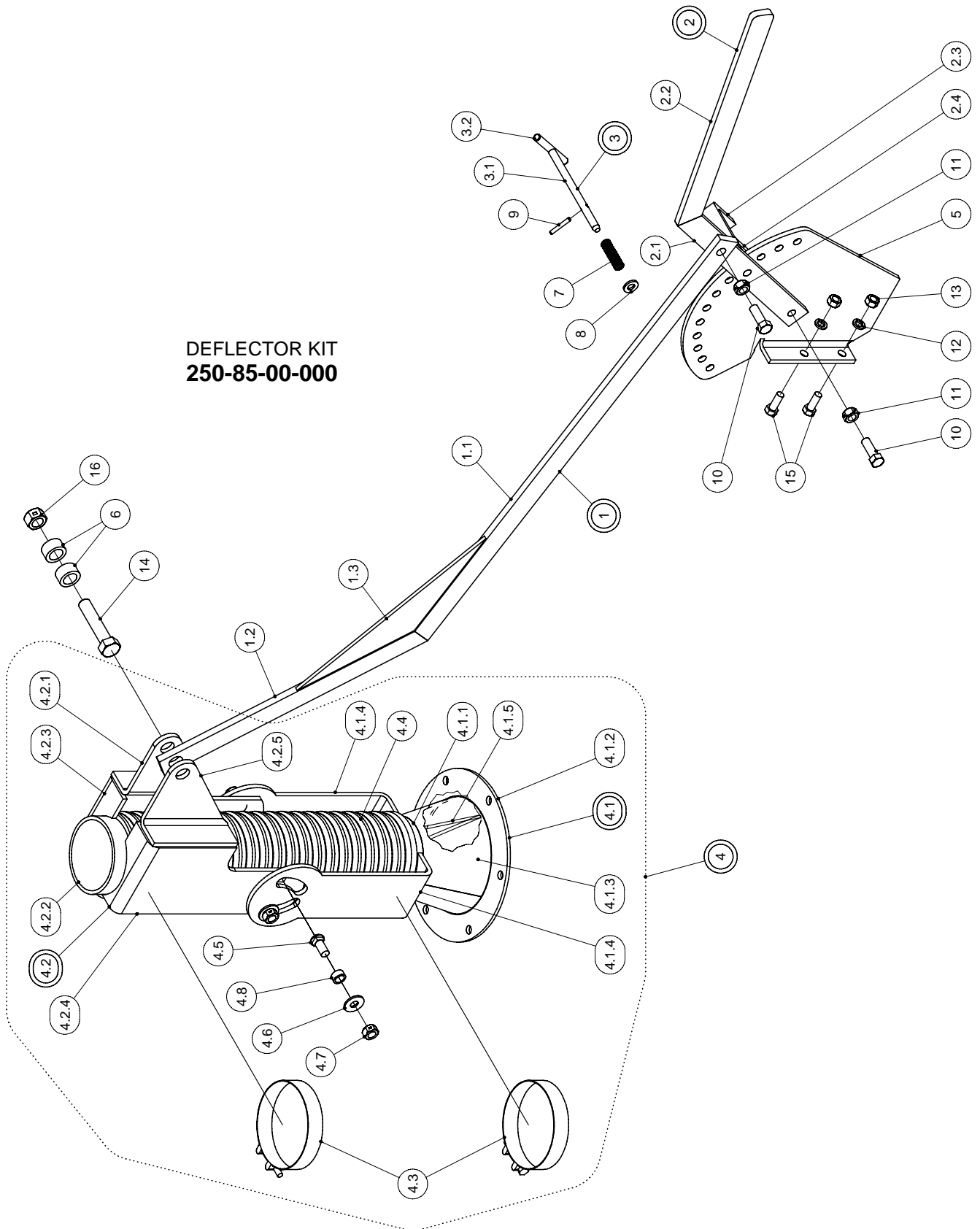
HAIR PIN
R07948



PARTS LIST			
ITEM	PART NUMBER	DESCRIPTION	QTY
1	R07948	5/32 HAIR PIN	1

DEFLECTOR KIT

**DEFLECTOR KIT
250-85-00-000**

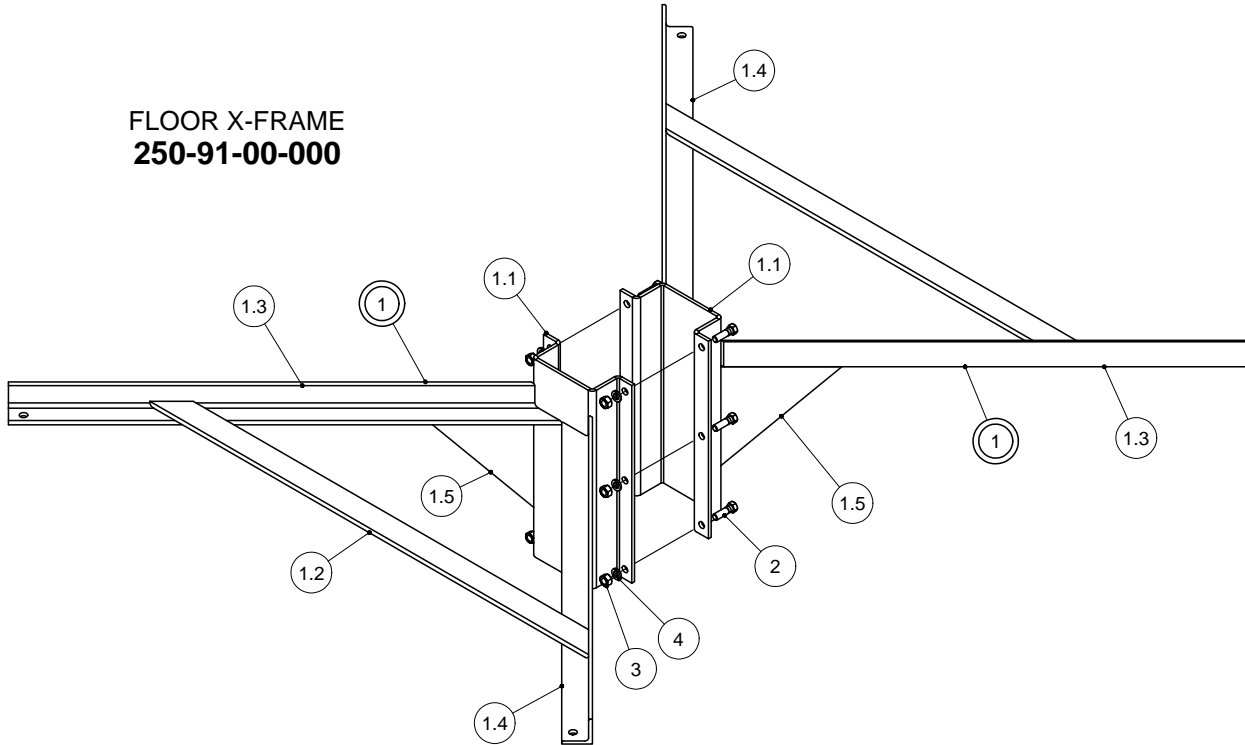


DEFLECTOR KIT

PARTS LIST			
ITEM	PART NUMBER	DESCRIPTION	QTY
1	250-85-40-000	DEFLECTOR ARM ASSY	1
1.1	250-85-40-203	MIDDLE DEFLECTOR BAR	1
1.2	250-85-40-202	BOTTOM DEFLECTOR BAR	1
1.3	250-85-40-205	DEFLECTOR ARM GUSSET	1
2	250-85-41-000	HANDLE ASSY	1
2.1	250-85-41-207	LOWER HANDLE	1
2.2	250-84-41-206	UPPER HANDLE	1
2.3	250-85-41-208	STABILIZER PIN BRACKET	1
2.4	250-85-41-209	SPRING STOP	1
3	250-85-42-000	STABILIZER PIN ASSY	1
3.1	250-85-42-212	PIN STEM	1
3.2	250-85-42-211	PIN HANDLE	1
4	250-85-01-000	DEFLECTOR KIT-LESS LEVER & HANDLE	1
4.1	250-85-58-000	FLANGE & CONE ASSY	1
4.1.1	242-58-48-289	CONE EXTENSION PIPE	1
4.1.2	250-93-00-288	FLANGE	1
4.1.3	270-63-30-193	CONE HALF	2
4.1.4	242-58-48-288	OUTER PIVOT BRACKET	2
4.1.5	250-85-38-198	CONE RIBS	4
4.2	250-85-59-000	DEFLECTOR DISCHARGE ASSY	1
4.2.1	250-85-59-292	RH BRACKET	1
4.2.2	242-58-49-292	EXTENSION PIPE	1
4.2.3	242-58-49-290	RH INNER PIVOT BRACKET	1
4.2.4	242-58-49-291	LH INNER PIVOT BRACKET	1
4.2.5	250-85-59-293	LH BRACKET	1
4.3	R02481	4" CLAMP	2
4.4	242-58-00-296	FLEX HOSE	1
4.5	R07731	7/16 x 1 CARRIAGE BOLT	4
4.6	R07824	7/16 FLAT WASHER	4
4.7	R07891	7/16 2-WAY LOCK NUT	4
4.8	244-05-00-281	SPACER PIPE	4
5	250-85-00-213	ADJUSTING PLATE	1
6	250-00-00-289	SPACER	2
7	R08024	1/2 x 2 1/4 COMP. SPRING	1
8	R07823	3/8 FLAT WASHER	1
9	R07977	3/16 x 1 1/4 ROLL PIN	1
10	R07671	7/16 x 1 1/4 HEX BOLT	2
11	R07891	7/16 2-WAY LOCK NUT	2
12	R07803	3/8 LOCK WASHER	2
13	R07783	3/8 HEX NUT	2
14	R07649	5/8 x 3 HEX BOLT	1
15	R07619	3/8 x 1 HEX BOLT	2
16	R07887	5/8 HEX NUT	1

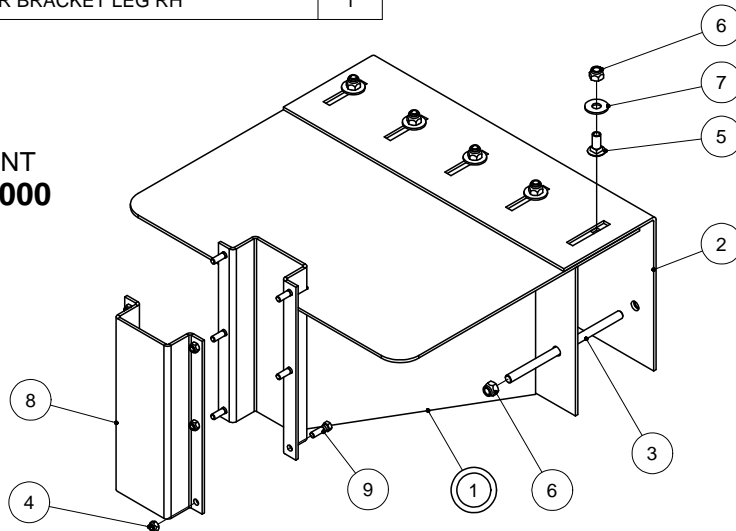
FLOOR & WALL MOUNT FRAME

FLOOR X-FRAME 250-91-00-000



PARTS LIST				PARTS LIST			
ITEM	PART NUMBER	DESCRIPTION	QTY	ITEM	PART NUMBER	DESCRIPTION	QTY
1	250-91-55-000	FLOOR FRAME ASSY	2	1.5	250-91-55-263	GUSSET	2
1.1	250-88-48-250	SHAFT TUBE CLAMP BRKT	1	2	R07629	7/16 x 1 1/2 HEX BOLT	6
1.2	250-91-55-262	FLOOR BRACKET BRACE	1	3	R07784	7/16 HEX NUT	6
1.3	250-91-55-260	FLOOR BRACKET LEG LH	1	4	R07804	7/16 LOCK WASHER	6
1.4	250-91-55-261	FLOOR BRACKET LEG RH	1				

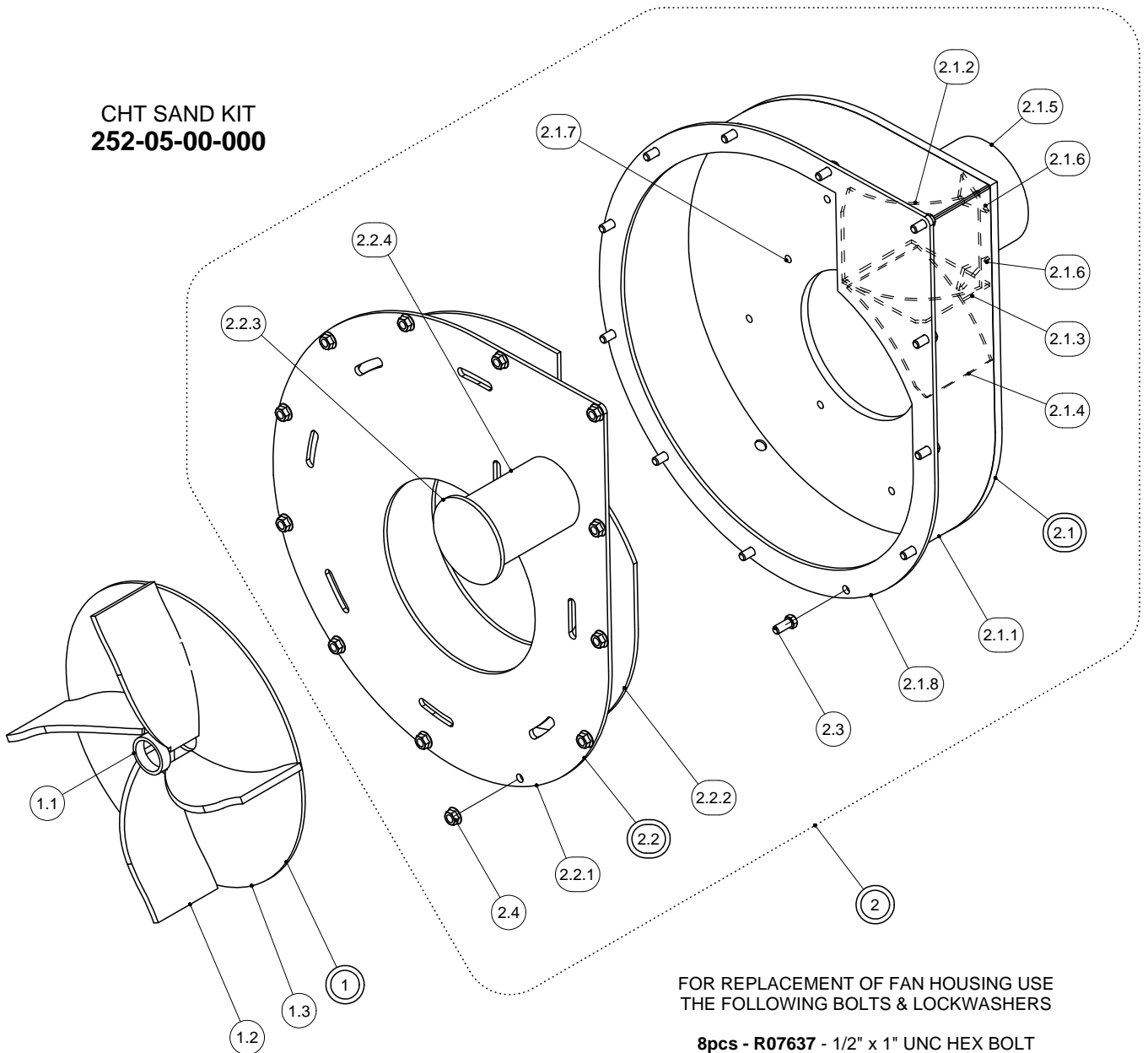
WALL MOUNT 252-15-00-000



PARTS LIST				PARTS LIST			
ITEM	PART NUMBER	DESCRIPTION	QTY	ITEM	PART NUMBER	DESCRIPTION	QTY
1	252-15-01-000	INNER WALL BRKT ASSY	1	6	R08180	5/8" NYLOC HEX NUT	13
2	252-15-00-346	OUTER WALL BRKT	1	7	R07826	5/8 FLAT WASHER	5
3	242-44-00-456	5/8" REDDI THREAD	4	8	250-88-48-250	SHAFT TUBE CLAMP BRKT	1
4	R08178	7/16 NYLOCK HEX NUT	6	9	R07629	7/16 x 1 1/2 HEX BOLT	6
5	R07753	5/8 x 1 1/2" CARRIAGE BOLT	5				

K-31 CHT SAND KIT

PARTS LIST				PARTS LIST			
ITEM	PART NUMBER	DESCRIPTION	QTY	ITEM	PART NUMBER	DESCRIPTION	QTY
1	252-05-01-000	CHT IMPELLER ASSY-2007	1	2.1.6	252-06-00-320	CHT CORNER GUSSET	2
1.1	250-03-11-018	IMPELLER GUIDE RING	1	2.1.7	502-03-01-004	OMEGA 6 HOUSING BACK PLATE	1
1.2	252-05-01-415	CHT IMPELLER BLADE-2007	4	2.1.8	502-03-01-005	OMEGA 6 HOUSING BOLT FLANGE	1
1.3	252-07-00-322	CHT IMPELLER BACK PLATE	1	2.2	502-03-02-000	OMEGA 6 COVER PLATE ASSY	1
2	502-03-00-000	OMEGA 6 FAN HOUSING KIT	1	2.2.1	502-03-02-006	OMEGA 6 COVER PLATE	1
2.1	502-03-01-000	OMEGA 6 FAN HOUSING ASSY	1	2.2.2	502-03-02-007	OMEGA 6 BACKER PLATE	1
2.1.1	252-06-00-317	CHT HOUSING BAND	1	2.2.3	250-04-03-012	FOOT END	1
2.1.2	252-06-00-319	CHT HOUSING DEFLECTOR PLATE	1	2.2.4	508-03-02-024	OMEGA FOOT TUBE	1
2.1.3	252-06-00-318	CHT SIDE PLATE	1	2.3	R07628	7/16 x 1 UNC HEX BOLT	12
2.1.4	252-06-00-321	CHT INNER HOUSING RING	1	2.4	R07879	7/16-14 UNC FLANGE NUT	12
2.1.5	250-72-00-164	DISCHARGE TUBE	1				

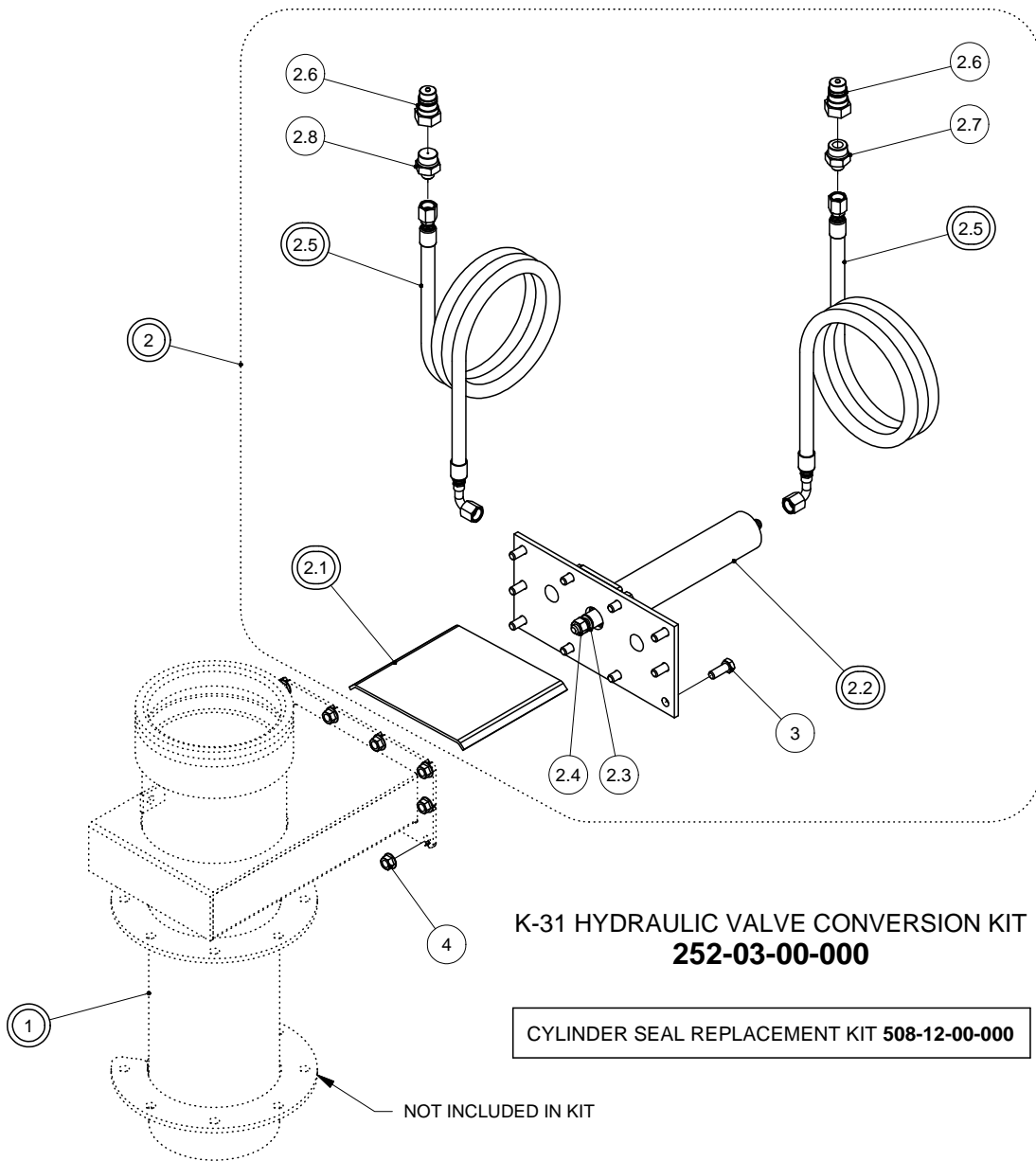


FOR REPLACEMENT OF FAN HOUSING USE
THE FOLLOWING BOLTS & LOCKWASHERS

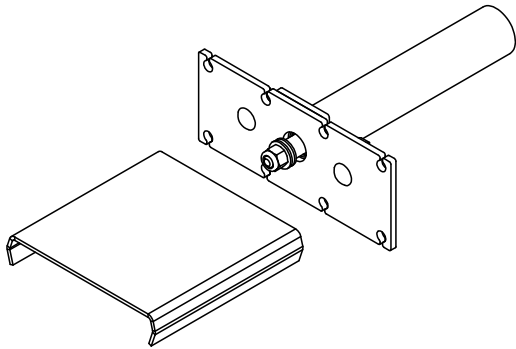
8pcs - R07637 - 1/2" x 1" UNC HEX BOLT
8pcs - R07805 - 1/2" LOCKWASHER

K-31 HYD UPPER VALVE (OPTIONAL)

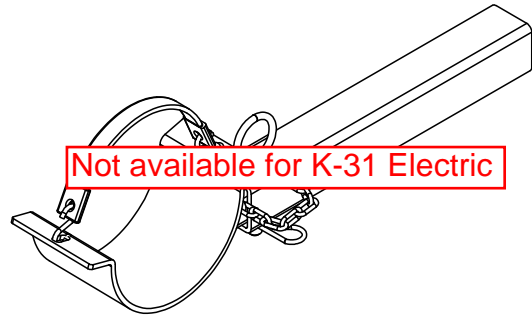
PARTS LIST			
ITEM	PART NUMBER	DESCRIPTION	QTY
1	250-96-02-000	UPPER VALVE & EXTENSION PIPE ASSY	1
2	252-03-00-000	UPPER HYDRAULIC VALVE CONVERSION KIT	1
2.1	252-03-03-000	UPPER HYDRAULIC GATE	1
2.2	252-03-06-000	UPPER HYDRAULIC CYLINDER COMPLETE-JIC	1
2.3	R08221	7/16 SS FLAT WASHER	2
2.4	R08228	7/16 S.S. NYLOCK NUT	1
2.5	250-87-52-000	HYDRAULIC HOSE ASSY	2
2.6	R23182	MALE PIONEER TIP-ORB-10	2
2.7	R23094	ORB-10 x 3/8" JIC M ADAPTOR	1
2.8	R23192	3/8" JIC M. x ORB-10 M. RESTRICTOR	1
3	R07619	3/8 x 1 UNC HEX BOLT	10
4	R07794	3/8-16 UNC FLANGE NUT	10



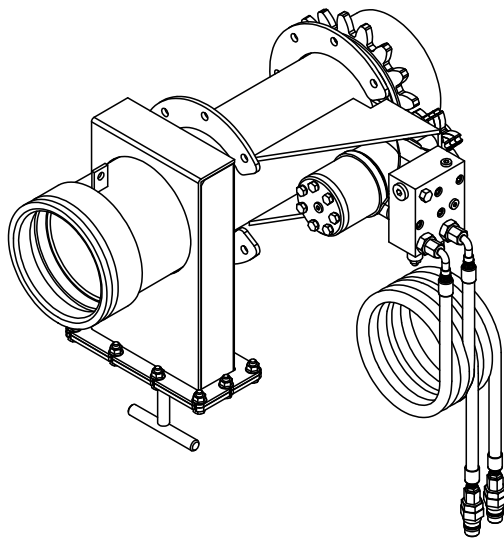
K-31 OPTIONS



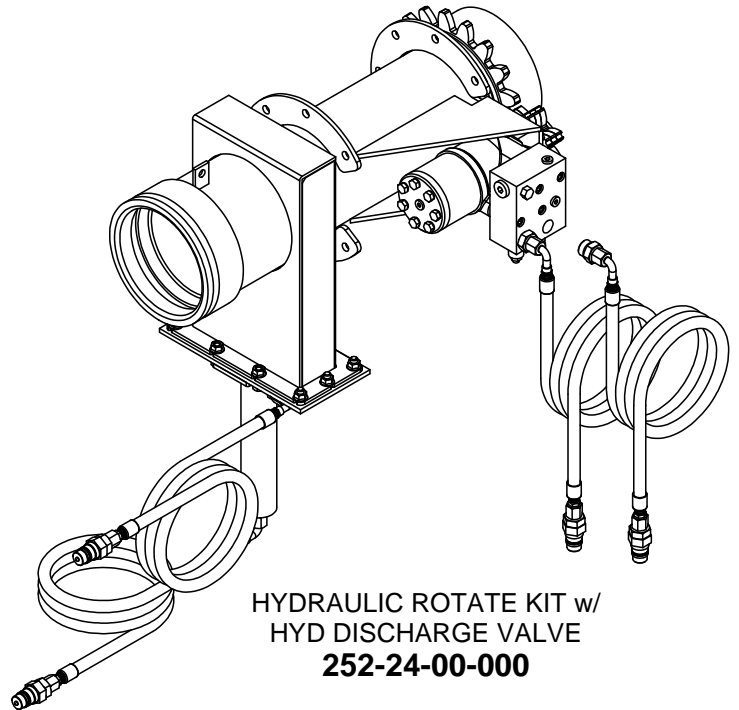
AGITATOR HYDRAULIC VALVE KIT
252-01-00-000



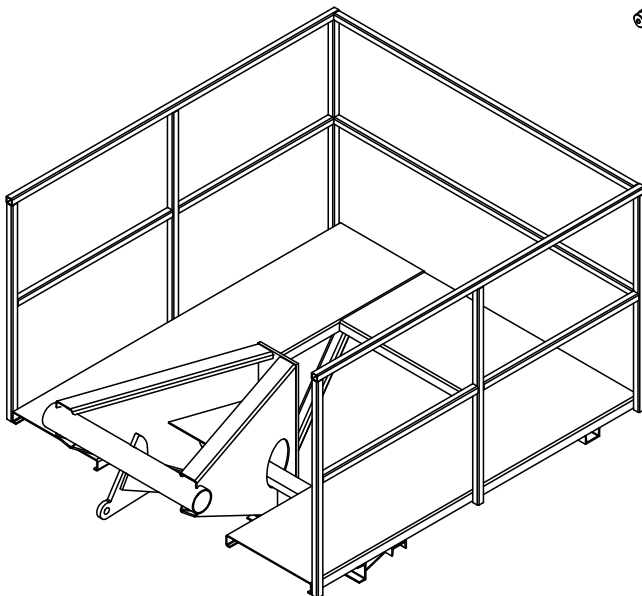
DISCHARGE PIPE HOLDER KIT
252-17-00-000



HYDRAULIC ROTATE KIT
252-22-00-000



HYDRAULIC ROTATE KIT w/
HYD DISCHARGE VALVE
252-24-00-000



SAFETY PLATFORM ASSY
252-70-00-000



GEARBOX RAIN COVER KIT
252-27-00-000