

DATE PURCHASED _____

MACHINE SERIAL NO _____

*office copy
MD 19/85
15 made
Jan 21/86 10 made*

OPTIONS _____

PLEASE NOTE:

The Key number system in this parts book is arranged as follows:

- -- Key number with one circle denote main assemblies
- Key numbers not circled are individual parts

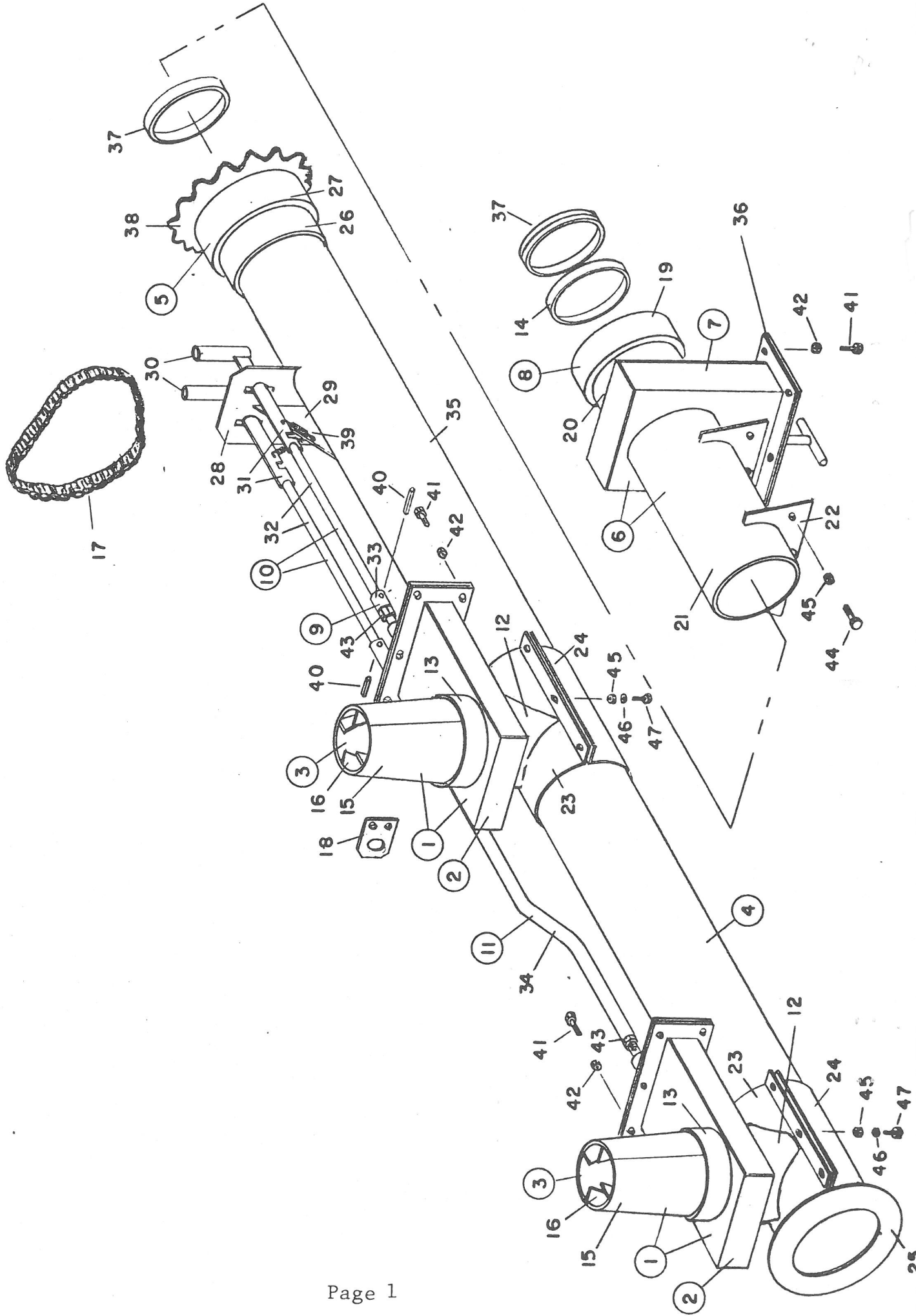
Please order parts by number

K 31

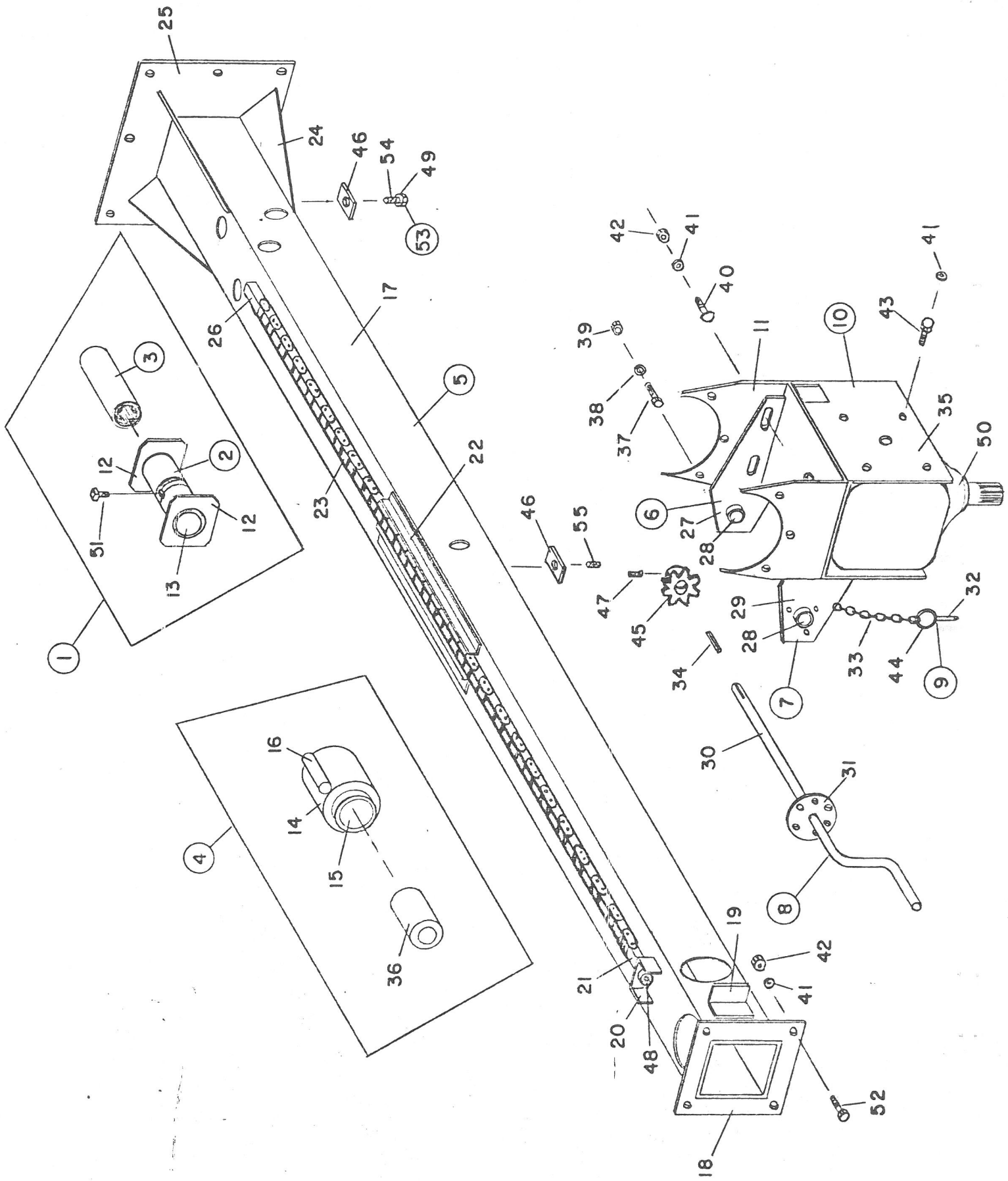
Husky Liquid Manure Pump

Operating Instructions:

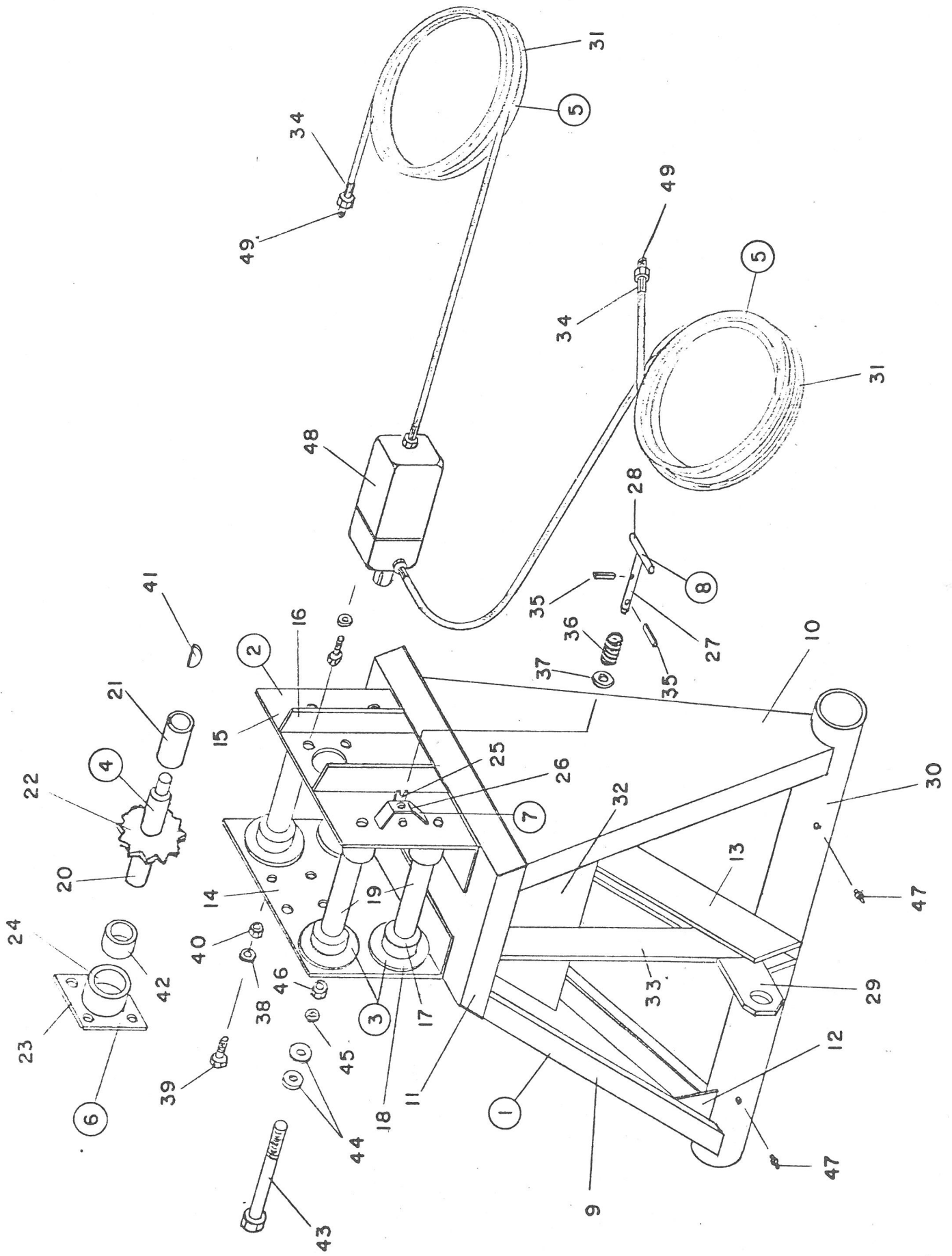
1. Do not leave pump in manure pit - remove pump from pit - wash off and cover with old oil or diesel fuel.
2. Always idle tractor down before changing from pumping to agitating.
3. Do not overrev. tractor while pumping as discharge spout will lift into the air. If pumping fast tie down spout.
4. The (urethane) marine bearing at the bottom of the pump is lubricated with manure or water. If the level of the liquid is below the bearing and you are running for long periods put a water hose in the top of standpipe.
5. EXTREME DANGER - Never enter a dirty Manure Spreader or Storage tank - one breath of Hydrogen Sulfide Gas is enough to kill.



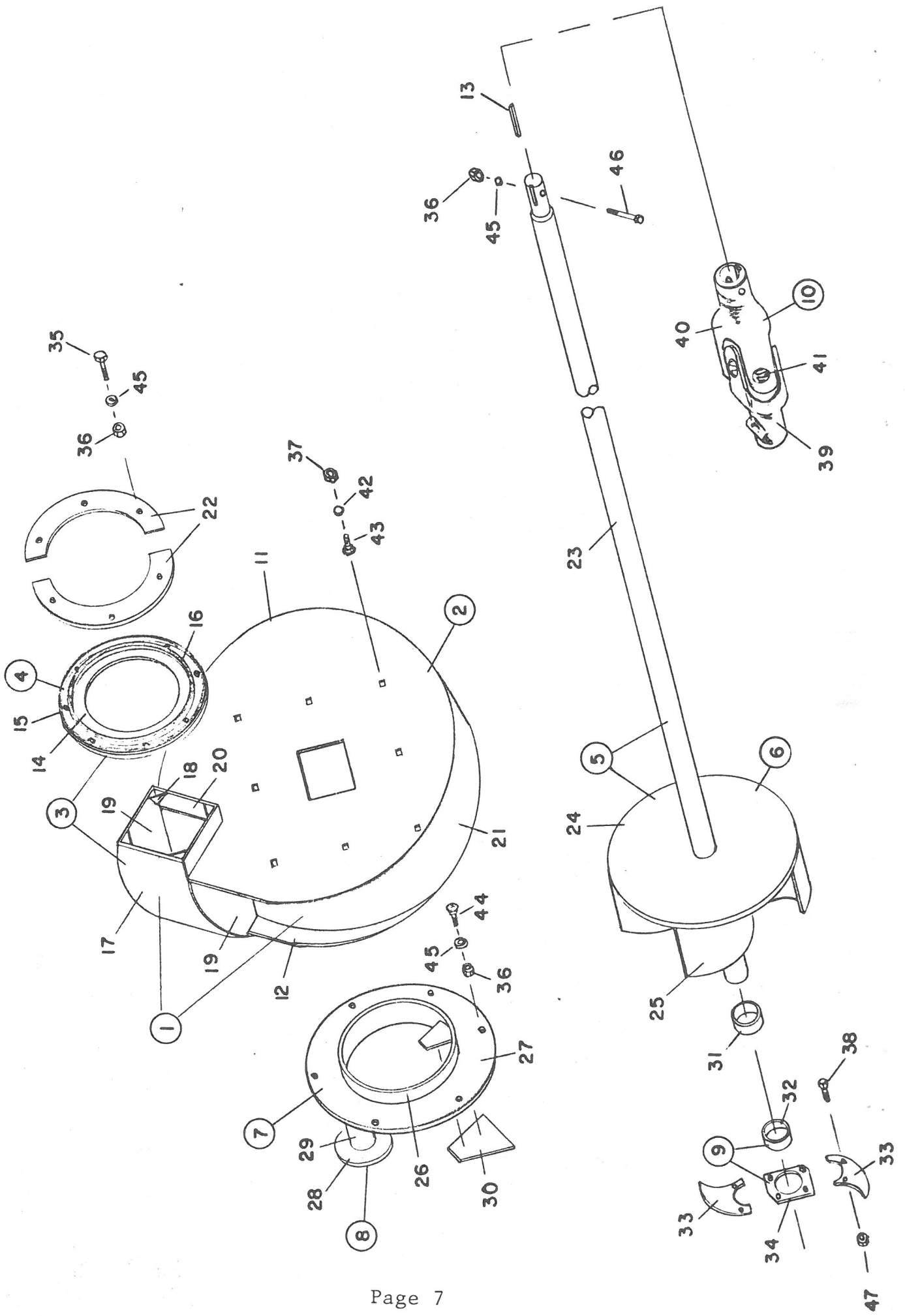
Key	Part Number	Description	Qty
1	250-66-00-000	Valve & Tee Assy Complete	2
2	250-08-00-000	Valve Assy Complete	2
3	250-09-08-000	Cone Assy	2
4	250-67-00-000	Standpipe Assy - 8 ft	1
	252-68-00-000	Standpipe Assy - 10 ft	1
	254-69-00-000	Standpipe Assy - 12 ft	1
5	250-12-10-000	Coupling Base Tube Assy	1
6	250-15-00-000	Upper Valve & Extension Pipe Assy	1
7	250-14-00-000	Upper Valve Assy Complete	1
8	250-15-17-000	Upper Extension Pipe Assy	1
9	250-19-00-000	Control Rod Attachment Assy	1
10	250-22-00-000	Control Rod Assy	2
11	250-20-00-000	Lower Control Rod Assy - 8 ft	1
	252-42-00-000	Lower Control Rod Assy - 10 ft	1
	254-43-00-000	Lower Control Rod Assy - 12 ft	1
12	250-09-07-035	Tee Slide	2
13	250-09-08-031	Cone Mount	2
14	250-15-17-125	Stop Ring	1
15	250-09-08-036	Tee Cone	4
16	250-09-08-037	Cone Ribs	4
17	250-00-00-104	#50 Roller Chain - .69 Pitches & C/L	1
18	250-00-00-160	Control Rod Support	1
19	250-12-10-042	Coupling Base Tube	1
20	250-15-17-061	Valve Extension Pipe	1
21	250-15-00-059	Fixed Upper Standpipe	1
22	250-15-00-060	Mount Brkt	2
23	250-66-00-150	Cone Clamp on Brkt	2
24	250-00-00-151	Clamp on Brkt	2
25	250-09-07-032	Standpipe Ring	1
26	250-12-10-041	Coupling Extension	1
27	250-12-10-042	Coupling Base Tube	1
28	250-12-00-043	Control Plate	1
29	250-12-00-044	Control Plate Gusset	1
30	250-21-00-072	Lever Handle	2
31	250-21-00-076	Lever Plate	2
32	250-22-00-046	Upper Control Rod	2
33	250-19-00-045	Upper Control Rod Attachment	1
34	250-20-00-075	Lower Control Rod - 8 ft	1
	252-42-00-110	Lower Control Rod - 10 ft	1
	254-43-00-112	Lower Control Rod - 12 ft	1
35	250-67-00-152	Standpipe - 8 ft	1
	252-68-00-153	Standpipe - 10 ft	1
	254-69-00-154	Standpipe - 12 ft	1
36	R09522	Sealant Caulking	-
37	R02366	6" Rubber Gasket	2
38	R20612	50 A 44 Sprocket	1
39	R08028	Control Rod Spring	2
40	R07959	1/4 x 1 1/4 Roll Pin	2
41	R07619	3/8 x 1 Hex Hd Bolt	18
42	R07794	3/8 Flange Nuts	18
43	R07786	5/8" Hex Nut	2
44	R07628	7/16 x 1 Hex Hd Bolt	12
45	R07784	7/16 Hex Nuts	18
46	R07804	7/16 Lock Washer	12
47	R07671	7/16 x 1 1/4 Hex Hd Bolt	6



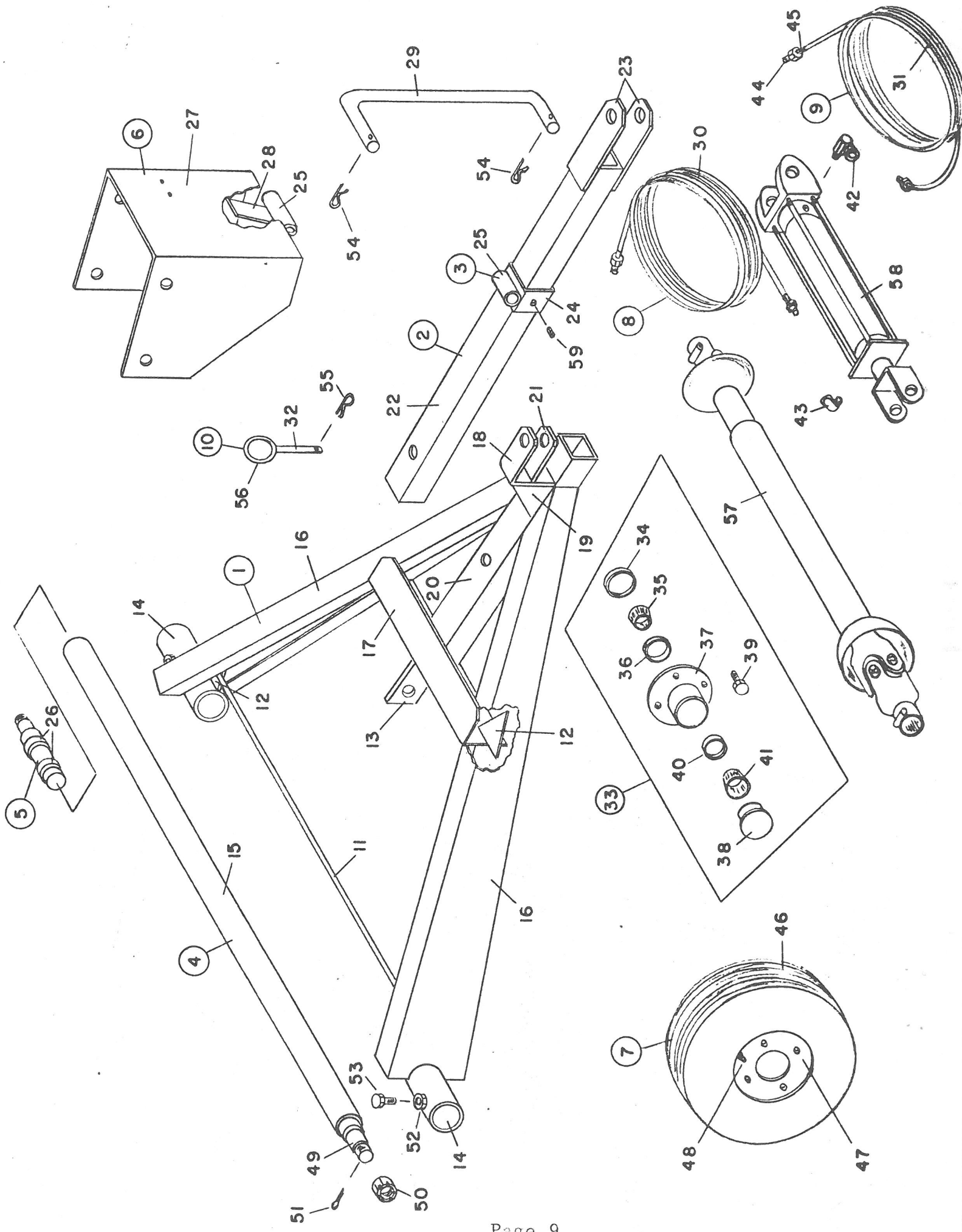
Key	Part Number	Description	Qty
1	250-06-00-000	Marine Brg Holder Assy Complete	1
2	250-06-04-000	Marine Brg Holder	1
3	242-77-00-000	1 3/4" Marine Brg	1
4	250-07-00-000	Middle Brg Holder Assy	1
5	250-05-00-000	Shaft Tube Assy - 8 ft	1
	252-38-00-000	Shaft Tube Assy - 10 ft	1
	254-39-00-000	Shaft Tube Assy - 12 ft	1
6	250-13-00-000	Crank Brkt Assy	1
7	250-16-18-000	Upper Crank Brkt Assy	1
8	250-17-00-000	Crank Assy	1
9	250-18-00-000	Lock Pin Assy	1
10	250-16-00-000	Gearbox Brkt Assy	1
11	250-16-00-064	Gearbox Brkt Cover Plate	1
12	250-06-04-019	Marine Brg Sleeve Holder	2
13	250-06-04-133	Marine Brg Holder	1
14	250-07-00-020	Middle Brg Holder Sleeve	1
15	250-07-00-021	Shaft Tube Brg Holder	1
16	250-07-00-022	Stablizer Rod	1
17	250-05-00-014	Shaft Tube - 8 ft	1
	252-38-00-109	Shaft Tube - 10 ft	1
	254-39-00-111	Shaft Tube - 12 ft	1
18	250-05-00-016	Shaft Tube Flange	1
19	250-05-00-017	Spool Holder Stop	2
20	242-11-00-061	Tightener Brkt	1
21	242-00-00-066	Chain Tightener	1
22	242-11-00-060	Roller Chain Guide	2
23	242-00-00-065	Roller Chain - 8 ft	1
	244-00-00-169	Roller Chain - 10 ft	1
	246-00-00-177	Roller Chain - 12 ft	1
24	250-05-00-077	Shaft Tube Gusset	4
25	250-05-00-073	Lower Shaft Tube Flange	1
26	242-11-00-059	Chain Hold Down Brkt	1
27	250-13-00-068	Crank Brkt	1
28	250-16-18-066	Crank Bushing Sleeve	2
29	250-16-18-065	Upper Crank Brkt	1
30	250-17-00-069	Crank	1
31	250-17-00-070	Crank Lock Plate	1
32	250-18-00-071	Lock Pin	1
33	250-16-18-067	Lock Pin Chain	1
34	250-00-00-124	3/16 x 3/16 x 1 1/4 Key	1
35	250-16-00-063	Gear Box Brkt	1
36	R20232	1 7/8 Wood Brg	1
37	R07628	7/16 x 1 Hex Hd Bolt	6
38	R07804	7/16 Lock Washer	8
39	R07784	7/16 Hex Nut	6
40	R07732	7/16 x 1 1/4 Carriage Bolt	2
41	R07805	1/2" Lock Washer	14
42	R07785	1/2" Hex Nut	14
43	R07637	1/2 x 1 Hex Hd Bolt	8
44	R07925	1/4 x 1 1/2 Plated Ring	1
45	R20613	50-B 12 Sprocket 3/4" Bore	1
46	250-05-00-126	SS Set Screw Lug	2
47	R07903	1/4 x 3/8 Set Screw	1
48	R07868	3/8 x 1 1/2 Socket Hd Cap Screw	1
49	R08235	1/2 - 13 SS Hex Nut	1
50	R20492	Model 511 Gearbox 1:1.50	1
51	R07928	3/8 x 1/2 Allen Hd SS Set Screw	1
52	R07674	1/2 x 1 1/4 Hex Hd Bolt	4
53	250-59-00-000	Set Screw Assy	1
54	250-59-00-141	SS Set Screw Reddi Rod	1
55	R08220	SS Socket Set Screw 1/2 x 3/4	1



Key	Part Number	Description	Qty
1	250-23-00-000	Tilt Frame Assy	1
2	250-23-20-000	R H Spool Holder Assy	1
3	250-24-00-000	Spool Assy	8
4	250-25-00-000	Sprocket Drive Assy	1
5	252-49-00-000	Hyd Hose Assy	2
6	242-26-00-000	Bushing Holder Assy	1
7	242-17-17-000	Side Lock Brkt Assy	1
8	250-23-26-000	Side Lock Pin Assy	1
9	250-23-00-079	L H Support Arm	1
10	250-23-00-078	R H Support Arm	1
11	250-23-00-081	Tilt Frame Base	1
12	250-23-00-082	Support Arm Gusset	2
13	250-23-00-083	Reinforcing Bar	1
14	250-23-00-084	L H Spool Holder	1
15	250-23-20-085	R H Spool Holder	1
16	250-23-20-086	Spool Holder Brace	2
17	250-24-00-087	Spool Roller	8
18	250-24-00-088	Spool End Plate	8
19	250-00-00-089	Spool Sleeve	4
20	250-25-00-090	Sprocket Shaft	1
21	250-25-00-091	Motor to Shaft Coupling	1
22	242-25-00-192	80 B-8 Sprocket 1 1/4" Bore	1
23	242-26-00-133	Bushing Holder Plate	1
24	242-26-00-134	Bushing Holder	1
25	242-17-17-194	Pin Stop	1
26	242-17-17-193	Side Lock Brkt	1
27	250-23-26-135	Side Lock Pin	1
28	242-17-18-196	Pin Handle	1
29	250-23-00-129	Lift Arm	1
30	206-04-00-022	Pivot Tube	1
31	252-49-00-123	Hyd Hose	2
32	250-23-00-080	Tilt Frame Gusset	1
33	250-23-00-132	Upright Support	1
34	R21231	Steel Ferrules	4
35	R07977	3/16 x 1 1/4 Roll Pin	2
36	R08027	Spring	1
37	R07826	5/8 Flat Washer	1
38	R07803	3/8 Lock Washer	8
39	R07670	3/8 x 7/8 Hex Hd Bolt	8
40	R07783	3/8 Hex Nut	8
41	R11114	Sprocket Drive Key comes w/Hyd Motor	1
42	R20259	Brass Bushing 1 1/4 x 1 1/2 x 3/4 long	1
43	R07689	7/16 x 7 Hex Hd Bolt	4
44	R07827	3/4 Flat Washer	8
45	R07804	7/16 Lock Washer	4
46	R07784	7/16 Hex Nut	4
47	R08183	1/4"-28 Straight Grease Fitting	2
48	R20851	Hyd Motor	1
49	R20804	1/2-14 NPT Solid Male Stem	4



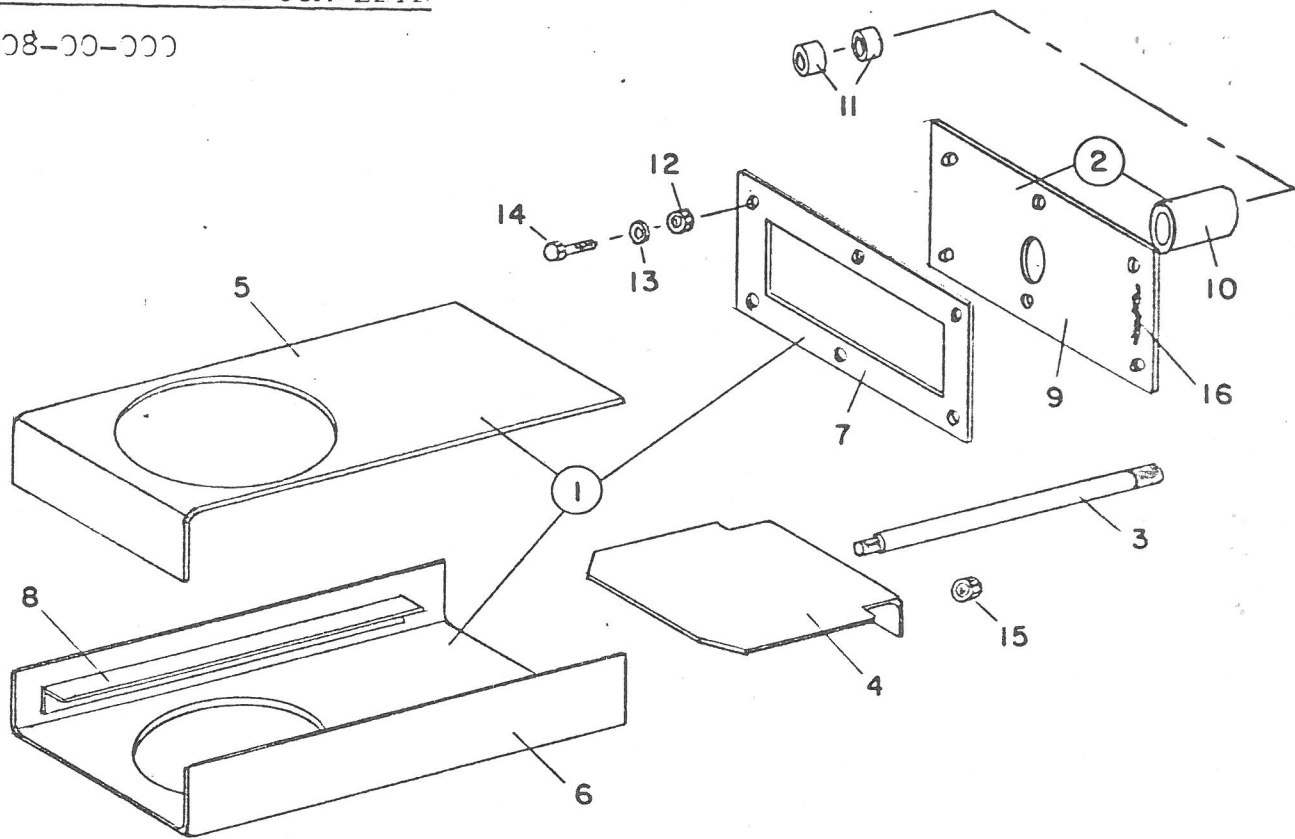
Key	Part Number	Description	Qty
1	250-01-00-000	Fan Housing Assy Complete	1
2	250-01-01-000	Fan Housing Assy	1
3	250-02-00-000	Housing Elbow Assy	1
4	250-02-02-000	Back Plate Assy	1
5	250-03-00-000	Impeller Assy Complete - 8 ft	1
	252-36-00-000	Impeller Assy Complete - 10 ft	1
	254-37-00-000	Impeller Assy Complete - 12 ft	1
6	250-03-11-000	Impeller Sub Assy	1
7	250-04-00-000	Cover Plate Assy	1
8	250-04-03-000	Foot Assy	1
9	270-49-00-000	Cutter Blade Brkt Assy	1
10	206-30-00-000	Knuckle Complete	1
11	250-01-01-001	Upper Fan Housing Plate	1
12	250-01-01-002	Lower Fan Housing Plate	1
13	206-00-00-131	3/8 x 3/8 x 2 Key	1
14	250-02-02-004	Back Plate	1
15	250-02-02-005	Outer Band	1
16	250-02-02-006	Inner Band	1
17	206-06-07-043	Elbow End Plate	1
18	206-06-07-041	Corner Wedge	4
19	206-06-07-042	Elbow Side Plate	2
20	206-06-07-044	Filler Plate	1
21	206-06-06-039	Housing Band	1
22	250-00-00-062	Half Rings	2
23	250-03-00-007	Drive Shaft - 8 ft	1
	252-36-00-107	Drive Shaft - 10 ft	1
	254-37-00-108	Drive Shaft - 12 ft	1
24	250-03-00-008	Impeller Back Plate	1
25	250-03-00-009	Impeller Blade	4
26	250-04-00-010	Inlet Ring	1
27	250-04-00-011	Cover Plate	1
28	250-04-03-012	Foot End	1
29	250-04-03-013	Foot	1
30	250-04-00-015	Cutter Plate	1
31	250-03-11-018	Impeller Guide Ring	1
32	270-49-00-141	Cutter Blade Ring	1
33	270-00-00-143	Cutter Blade L.H.	2
34	270-49-00-142	Cutter Blade Brkt	1
35	R07629	7/16 x 1 1/2 Hex Hd Bolt	6
36	R07784	7/16 Hex Nut	13
37	R07783	3/8 Hex Nut	8
38	R07688	3/8 x 3/4 Hex Hd Bolt	4
39	R20331	Q.D. Yoke 1 3/8 - 6 Tooth	1
40	250-00-00-159	1 1/2 Round Hole Yoke	1
41	R20334	Journal & Brg Kit Assy	1
42	R07803	3/8 Lock Washer	8
43	R07721	3/8 x 1 Carriage Bolt	8
44	R07731	7/16 x 1 Carriage Bolt	6
45	R07804	7/16 Lock Washer	13
46	R07633	7/16 x 3 1/2 Hex Hd Bolt	1
47	R07886	3/8 Lock Nut	4



Key	Part Number	Description	Qty
1	250-61-00-000	Chassis. Assy	1
2	250-62-00-000	Tongue Assy	1
3	250-63-00-000	Tongue Sleeve Assy	1
4	250-64-00-000	Axle Assy	1
5	250-64-27-000	Spindle Assy	2
6	250-32-00-000	PTO Guard Assy	1
7	250-65-00-000	Tire & Wheel Assy 5.90 x 15	2
8	242-34-00-000	Hydraulic Hose Assy	1
9	242-35-00-000	Hydraulic Hose Assy	1
10	206-03-00-000	Tongue Pin Assy	1
11	206-01-00-003	Wheel Tie Bar	1
12	206-01-00-005	Frame Gusset	4
13	206-01-01-007	Base Pivot	1
14	206-01-02-008	Axle Sleeve	2
15	206-00-00-017	Axle Tube	1
16	250-61-00-142	Frame Side Member	2
17	250-61-00-143	Cross Angle	1
18	250-61-00-144	Chassis Hitch Plate	1
19	250-61-00-145	Chassis Hitch Plate Gusset	2
20	250-61-00-146	Hitch Pipe	1
21	250-58-00-139	Chassis Hitch Plate Centre	1
22	250-62-00-147	Tongue Tube	1
23	206-02-00-014	Tongue Plate	2
24	250-63-00-148	Tongue Sleeve	1
25	206-02-00-015	Tie Rod Sleeve	2
26	250-64-27-149	Plug Washer	4
27	250-32-00-105	PTO Guard	1
28	250-32-00-118	PTO Guard Brace	1
29	250-00-00-106	Tie Rod	1
30	242-34-00-158	Hydraulic Hose	1
31	242-35-00-159	Hydraulic Hose	1
32	206-03-00-019	Tongue Pin	1
33	250-60-30-000	H-411 Hub Complete	2
34	R20144	Oil Seal	2
35	R20159	Inner Cone	2
36	R20129	Inner Cup	2
37	R20160	H-411 Hub	2
38	R20143	Dust Cap	2
39	R20145	Wheel Bolts - 1/2 - 20 x 1 1/4	8
40	R20130	Outer Cup	2
41	R20158	Outer Cone	2
42	R21335	Restrictor Plug - 90°	1
43	R21367	1/2" x 90° NPT Elbow	1
44	R20825	1/4" Solid Male Stem	4
45	R20805	Ferrule ClTH - 1/4" Hyd Hose	4
46	R20016	5.90 x 15 Rib Impliment Tire	2
47	R20057	4.5 x 15 Wheel - 4 Bolt	2
48	R20020	Valve Stem	2
49	R20141	Spindle w/nut	2
50	R20142	Slotted Hex Nut 3/4 - 16	2
51	R08002	5/32 x 1 1/2 Cotter Pin	2
52	R07784	7/16 Hex Nut	2
53	R07628	7/16 x 1 Hex Hd Bolt	2
54	R07947	3/16 Hairpin Cotter	2
55	R07949	1/8 Hairpin Cotter	1
56	R07925	1/4 x 1 1/2 Plated Ring	1
57	R20323	1340 Series PTO	1
58	R20727	3 x 8 Hydraulic Cylinder	1
59	R07865	3/8-24 UNF Set Screw 3/8 Long	1

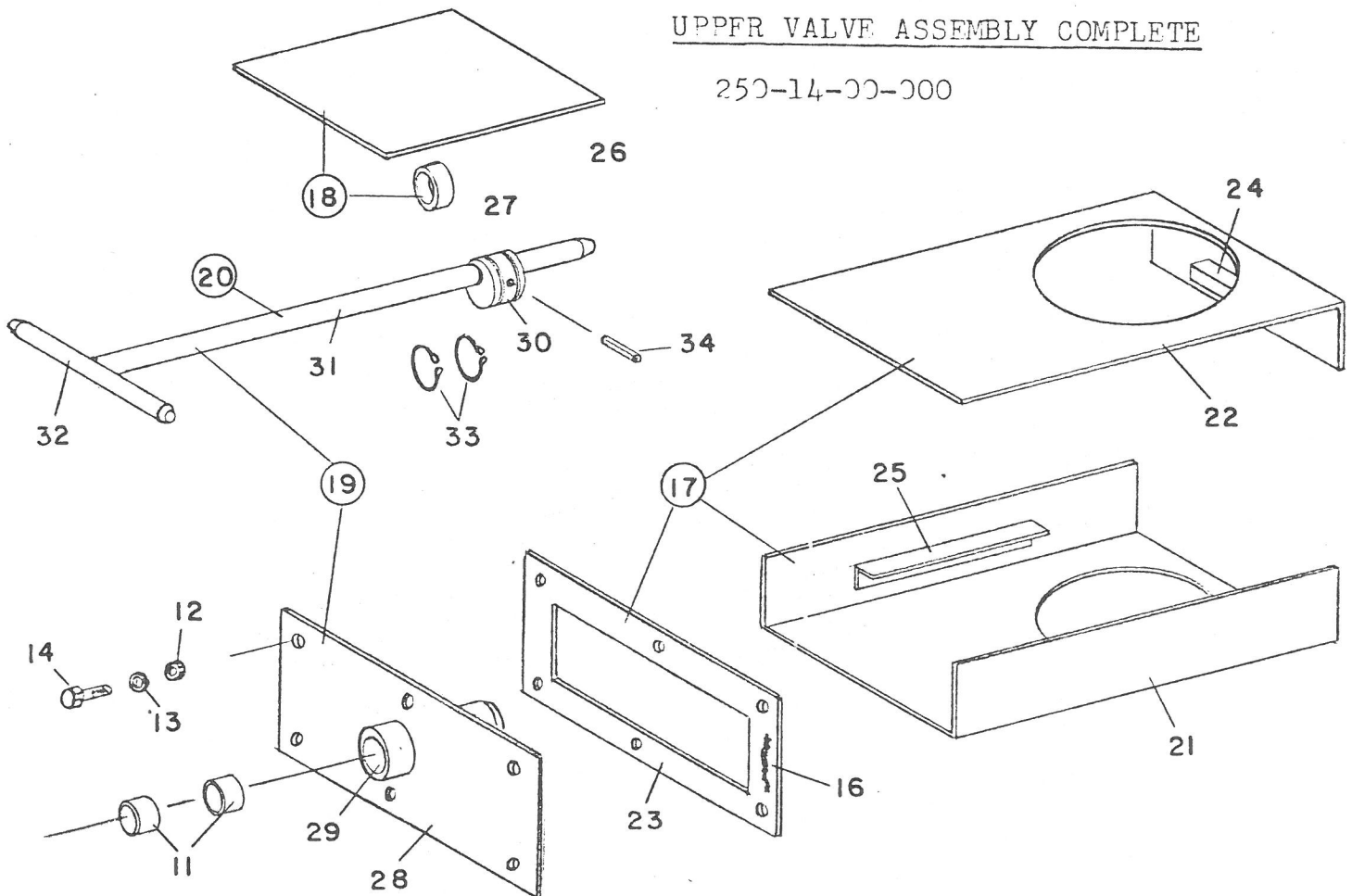
LOWER VALVE ASSEMBLY COMPLETE

250-08-00-000

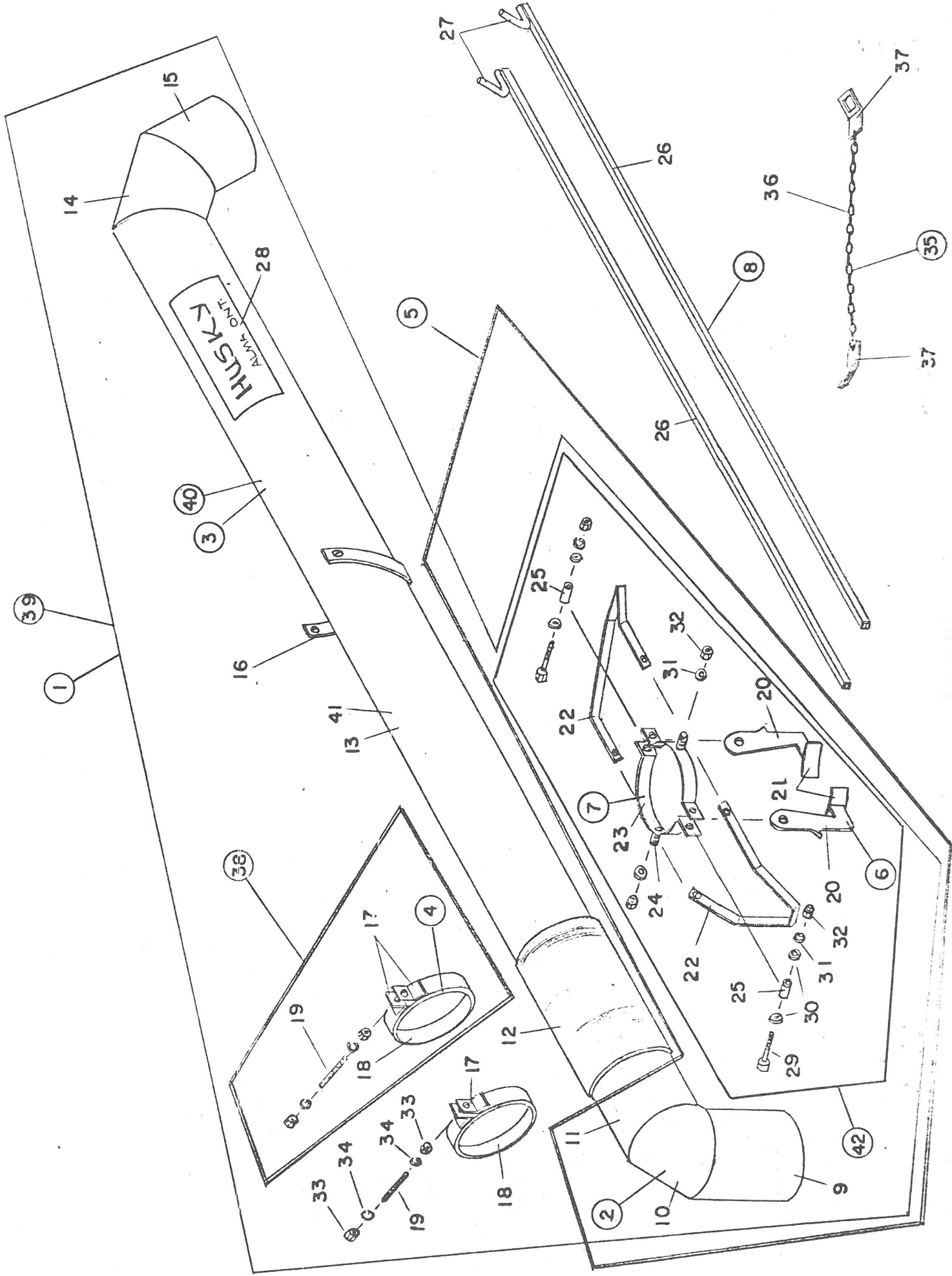


UPPER VALVE ASSEMBLY COMPLETE

250-14-00-000



Key	Part Number	Description	Qty
1	250-08-05-000	Lower Valve Assy	1
2	250-08-06-000	Outer Flange Assy	1
3	250-00-00-023	Lower Valve Shaft	1
4	250-00-00-024	Valve Gate	1
5	250-08-05-025	Lower Valve Top Plate	1
6	250-08-05-026	Lower Valve Body	1
7	250-08-05-027	Lower Valve Inner Flange	1
8	250-08-05-028	Lower Valve Guide Bar	2
9	250-08-06-029	Lower Valve Outer Flange	1
10	250-08-06-030	Lower Valve Bushing	1
11	R21167	7/8 OD x 5/8 ID x 3/4 Long Bushing	4
12	P07794	3/8 Flange Nut	12
13			
14	R07619	3/8 x 1 Hex Hd Bolt	12
15	R07891	7/16 Lock Nut	1
16	R04102	Black Silicone	
17	250-14-12-000	Upper Valve Casing Assy	1
18	250-14-13-000	Upper Valve Gate Assy	1
19	250-14-14-000	Valve Cover & Shaft Assy	1
20	250-14-15-000	Handle Assy	1
21	250-14-12-047	Upper Valve Bottom Plate	1
22	250-14-12-048	Upper Valve Cover Plate	1
23	250-14-12-049	Upper Valve Flange	1
24	250-14-12-050	Hold Down Bar	1
25	250-14-12-051	Valve Guide	2
26	250-14-13-052	Upper Valve Gate	1
27	250-14-13-053	Cam Holder	1
28	250-14-14-054	Upper Valve Cover Plate	1
29	250-14-14-055	Valve Brg Sleeve	1
30	250-14-14-056	Cam	1
31	250-14-15-057	Upper Valve Shaft	1
32	250-14-15-058	Tee Handle	1
33	R07973	Snap Ring	2
34	R07976	3/16 x 1 Groove Pin	1



Key	Part Number	Description	Qty
1	250-26-00-000	Discharge Pipe Complete 15 ft	1
2	250-26-21-000	Pump Elbow Assy	1
3	250-26-22-000	Discharge Pipe Assy	1
4	250-26-23-000	Clamp Assy	2
5	250-52-00-000	Discharge Elbow & Pipe Connector Kit	1
6	250-28-00-000	Discharge Pipe Hook Assy	2
7	250-27-00-000	Discharge Pipe Sleeve Assy	2
8	242-33-00-000	Bipod Leg Assy	2
9	250-26-21-092	Pump Elbow Base Section	1
10	250-26-21-093	Pump Elbow Middle Section	1
11	250-26-21-094	Pump Elbow Upper Section	1
12	250-00-00-095	Flexible Hose Section	1
13	250-26-22-096	Discharge Pipe	1
14	250-26-22-097	Discharge Elbow Centre Piece	1
15	250-26-22-098	Discharge Elbow End Piece	1
16	250-26-22-099	Discharge Pipe Hook	1
17	206-19-00-081	Pipe Clamp Angle	2
18	250-26-23-100	Clamp Band	2
19	206-00-00-153	Clamp Reddi Rod	2
20	242-32-00-153	Discharge Pipe Lock Hook	2
21	250-28-00-102	Hook Plate	2
22	250-00-00-103	Bracket Lock	2
23	250-27-00-101	Discharge Pipe Lock Brkt	2
24	242-31-00-150	Reddi Rod	2
25	242-00-00-152	Hook Spacer	2
26	242-33-00-155	Bipod Legs	2
27	242-33-00-156	Leg Hooks	2
28	R09502	Husky Sticker	1
29	R07611	5/16 x 1 Hex Hd Bolt	2
30	R07822	5/16 Flat Washer	4
31	R07802	5/16 Lock Washer	8
32	R07782	5/16 Hex Nut	8
33	R07783	3/8-Hex Nut	4
34	R07803	3/8 Lock Washer	4
35	242-79-00-000	Bipod Leg Chain Assy	1
36	242-79-00-199	Bipod Leg Chain	1
37	242-79-00-198	Bipod Leg Clip	2
38	250-54-00-000	6" Clamp complete	2
39	250-55-00-000	Discharge Pipe 20 ft Complete	*
40	250-55-25-000	Discharge Pipe Assy 20 ft	*
41	250-55-25-134	Discharge Pipe	*
42	250-50-00-000	Discharge Pipe Conn Hook Kit	*

* Option

