

Office Copy

Oct 1, 1996

19 made
07 Nov 11/96 - 10 made
Jan 27/97 - 4 "
Jan 31/97 - 3 "
Feb 13/97 - 10 "

Date Purchased _____ Machine Serial No. _____

Size of Pump _____ Options _____

PLEASE NOTE:

The key number system in this parts book is arranged as follows:

- 0 -- Key number with one circle denotes main assemblies
- Key Numbers not circled are individual parts.
- * -- Optional

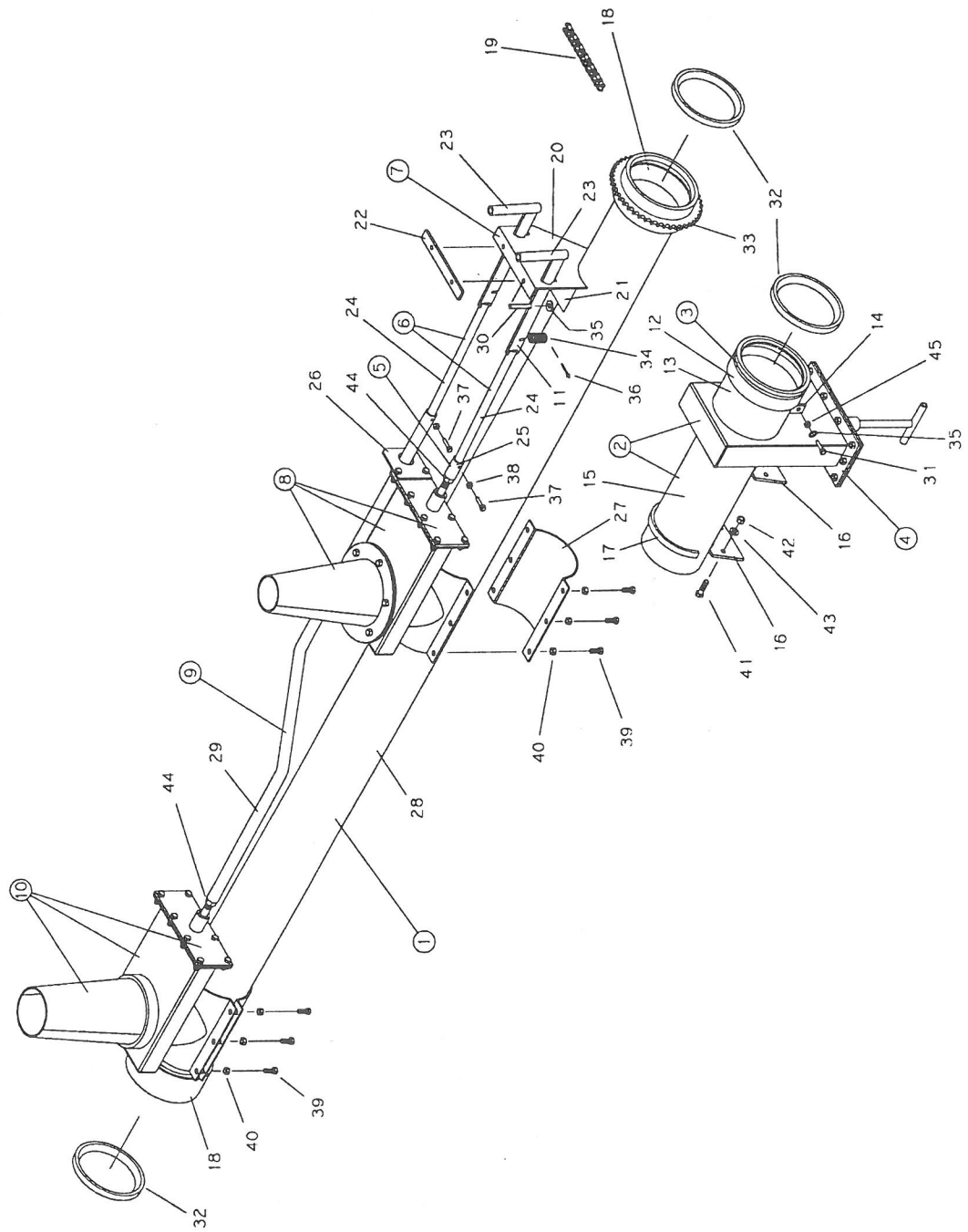
Please order parts by number

K 31

HUSKY LIQUID MANURE PUMP

OPERATING INSTRUCTIONS:

1. Do not leave pump in manure pit - remove pump from pit - wash off and cover with old oil or diesel fuel.
2. Always idle tractor down before changing from pumping to agitating.
3. Do not over rev. tractor while pumping as discharge spout will lift into the air. If pumping fast tie down spout.
4. The (Urethane) marine bearing at the bottom of the pump is lubricated with manure or water. If the level of the liquid is below the bearing and you are running for long periods put a water hose in the top of standpipe.
5. When closing top valve turn handle to lock in place.
6. EXTREME DANGER - Never enter a dirty manure spreader or storage tank - one breath of hydrogen sulphide gas is enough to kill.



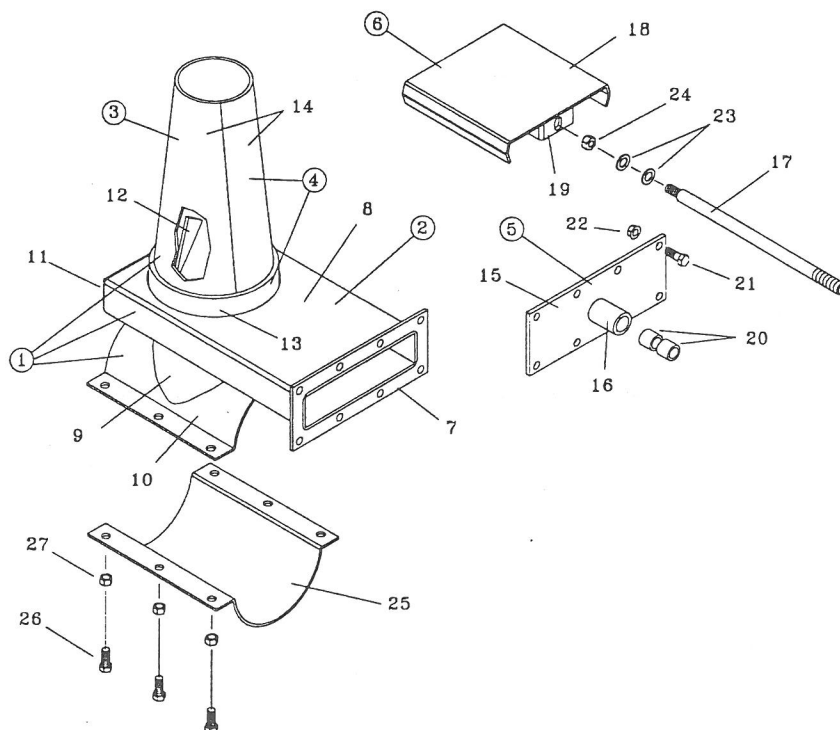
STANDPIPE ASSEMBLY

<u>KeysParts Number</u>	<u>Description</u>	<u>Qty</u>	
1	250-67-00-000	Standpipe Assembly - 8 Ft. Pump	1
	252-68-00-000	Standpipe Assembly -10Ft. Pump	1
	254-69-00-000	Standpipe Assembly -12Ft. Pump	1
2	250-96-00-000	Upper Valve & Extension Pipe Assy.	1
3	250-96-01-000	Upper Extension Pipe Assy.	1
4	250-14-00-000	Upper Valve Assembly Complete	1
5	250-19-00-000	Control Rod Attachment Assy	1
6	250-22-00-000	Control Rod Assy.	2
7	250-67-33-000	Control Plate Assy.	1
8	250-86-00-000	Upper Valve & Tee Assy.	1
9	250-20-00-000	Lower Control Rod Assy - 8 Ft. Pump	1
	252-42-00-000	Lower Control Rod Assy -10Ft. Pump	1
	254-43-00-000	Lower Control Rod Assy - 12Ft. Pump	1
10	250-80-00-000	Lower Valve & Tee Assy Complete	1
11	250-21-00-076	Lever Plate	2
12	250-96-01-296	Coupling Base Tube	1
13	250-15-17-061	Valve Extension Pipe	1
14	250-96-00-298	Chain Lug	1
15	250-15-00-059	Fixed Upper Standpipe	1
16	250-15-00-060	Mount Bracket	2
17	250-15-00-170	Stop Ring	1
18	250-67-00-168	Gasket Sleeve	2
19	250-00-00-104	#50 Roller Chain - 69 Pitch & Conn/link	1
20	250-67-33-178	Control Plate	1
21	250-12-00-044	Control Plate Gusset	1
22	250-00-00-175	Spring Plate	1
23	250-21-00-072	Lever Handle	2
24	250-22-00-046	Upper Control Rod	2
25	250-19-00-045	Upper Control Rod Attachment	1
26	250-00-00-160	Control Rod Support	1
27	250-00-00-151	Clamp on Bracket	2
28	250-67-00-152	Standpipe - 8 Ft. Pump	1
	252-68-00-153	Standpipe -10Ft. Pump	1
	254-69-00-154	Standpipe -12Ft. Pump	1
29	250-20-00-075	Lower Control - 8 Ft. Pump	1
	252-42-00-110	Lower Control -10Ft. Pump	1
	254-43-00-112	Lower Control -12Ft. Pump	1
30	250-67-33-176	Control Plate Pin	2
31	R07619	3/8 x 1 Hex Bolt	1
32	R02366	6" Rubber Gasket	3
33	R20612	50A44 Sprocket	1
34	R08024	Control Plate Spring	2
35	R07832	3/8 Flat Washer	3
36	R08021	1/8 x 1 Cotter Pin	2
37	R07603	1/4 x 1 1/2 Hex Bolt	2
38	R08048	1/4" 2 Way Lock Nut	2
39	R07671	7/16 x 1 1/4 Hex Bolt	12
40	R07879	7/16 Flange Nut.	12
41	R07628	7/16 x 1 Hex Bolt	6
42	R07784	7/16 Hex Nut	6
43	R07804	7/16 Lock Washer	6
44	R07786	5/8" Hex Nut	4
45	R07886	3/8 Lock Nut	1

LOWER AGITATOR VALVES

<u>Keys</u>	<u>Parts Number</u>	<u>Description</u>	<u>Qty</u>
1	250-79-00-000	Lower Agitator Valve Assembly	1
2	250-79-35-000	Agitator Valve Housing Assembly	1
3	250-09-08-000	Lower Cone Assembly	1
4	250-79-53-000	Lower Agitator Cone & Mount Assembly	1
5	250-79-36-000	Outer Flange Assy. w/ Bushings	1
6	275-17-00-000	Valve Gate Assy.	1
7	275-01-02-012	Valve Flange	1
8	250-79-35-189	Valve Housing	1
9	250-09-07-035	Tee Side	1
10	250-66-00-150	Cone Clamp On Bracket	1
11	275-01-02-062	Valve End Cap	1
12	250-09-08-037	Cone Ribs	4
13	250-09-08-031	Cone Mount	1
14	250-09-08-036	Lower Cone Half	2
15	250-79-36-188	Valve Outer Flange	1
16	250-08-06-030	Valve Bushing Holder	1
17	250-00-00-023	Valve Shaft	1
18	250-17-00-080	Valve Gate	1
19	275-17-00-081	Valve Gate Brkt	1
20	R21167	7/8 OD x 5/8 ID x 3/4 Long Bushing	2
21	R07619	3/8 x 1 Hex Bolt	8
22	R07794	3/8 Flange	8
23	R08221	7/16 SS SAE Flat Washer	2
24	R08228	7/16 SS Nylon Insert Nut	1
25	250-00-00-151	Clamp on Brkt	1
26	R07671	7/16 x 1 1/4 Hex bolt	6
27	R07879	7/16 Flange Nut	6

LOWER AGITATOR VALVE COMPLETE 250-80-00-000

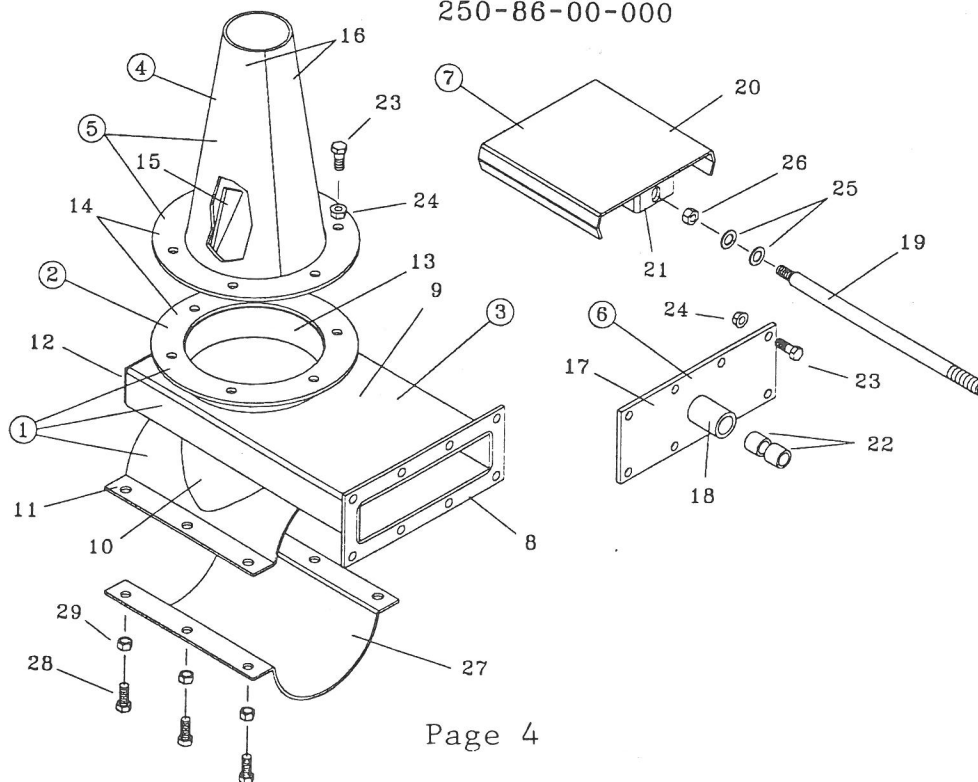


UPPER AGITATOR VALVE COMPLETE

<u>Keys</u>	<u>Parts Number</u>	<u>Description</u>	<u>Qty</u>
1	250-90-00-000	Upper Agitator Valve Assy	1
2	250-90-57-000	Upper Mount & Flange Assy	1
3	250-79-35-000	Agitator Valve Housing Assy	1
4	250-86-43-000	Upper Agitator Cone Assy	1
5	250-93-00-000	Upper Cone & Flange Assy	1
6	250-79-36-000	Outer Flange Assy w/ Bushings	1
7	275-17-00-000	Valve Gate Assy.	1
8	275-01-02-012	Valve Flange	1
9	250-79-35-189	Valve Housing	1
10	250-09-07-035	Tee Side	1
11	250-66-00-150	Cone Clamp On Bracket	1
12	275-01-02-062	Valve End Cap	1
13	250-09-08-031	Cone Mount	1
14	250-93-00-288	Flange	2
15	250-09-08-037	Cone Ribs	4
16	250-86-43-214	Upper Cone Half	2
17	250-79-36-188	Valve Outer Flange	1
18	250-08-06-030	Valve Bushing Holder	1
19	250-00-00-023	Valve Shaft	1
20	275-17-00-080	Valve Gate	1
21	275-17-00-081	Valve Gate Bracket	1
22	R21167	7/8 OD x 5/8 ID x 3/4 Long Bushing	2
23	R07619	3/8 x 1 Hex Bolt	14
24	R07794	3/8 Flange Nut	14
25	R08221	7/16 SS SAE Flat Washer	2
26	R08228	7/16 SS Nylon Insert Nut	1
27	250-00-00-151	Clamp on Brkt	1
28	R07671	7/16 x 1 1/4 Hex Bolt	6
29	R07879	7/16 Flange Nut	6

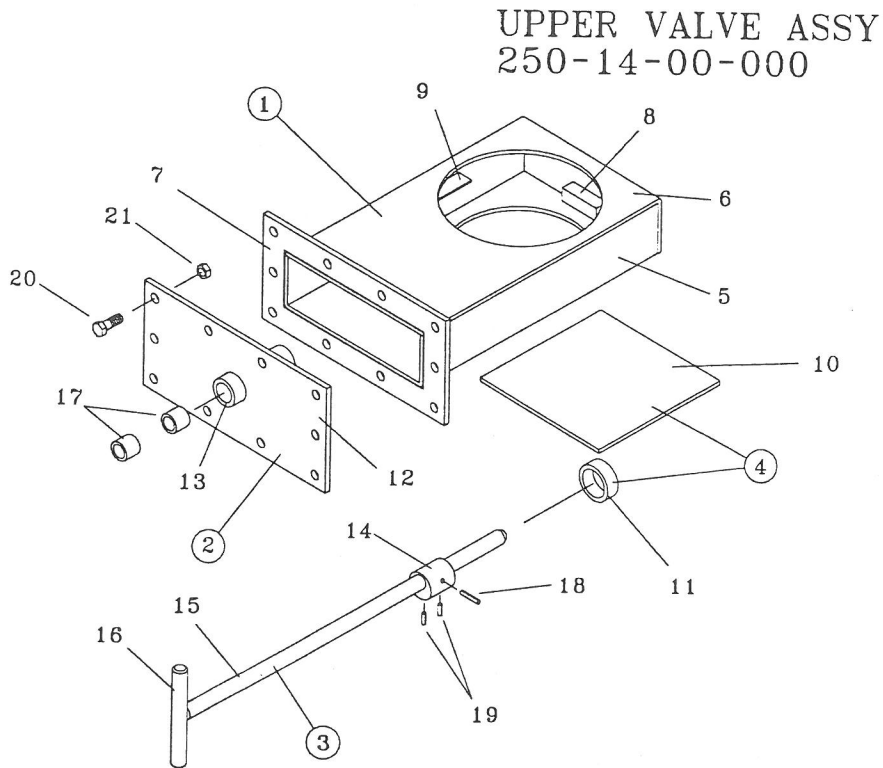
UPPER AGITATOR VALVE COMPLETE

250-86-00-000



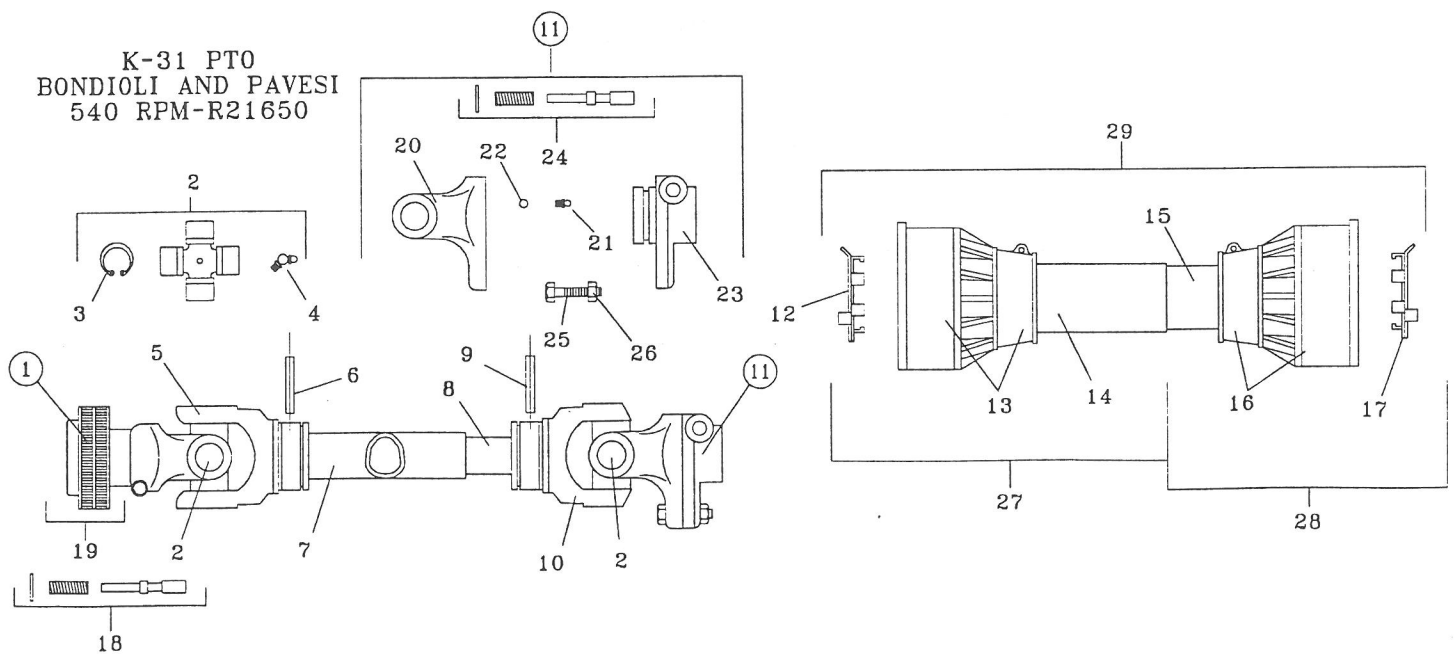
UPPER VALVE ASSEMBLY

<u>Keys</u>	<u>Parts Number</u>	<u>Description</u>	<u>Qty</u>
1	250-14-12-000	Upper Valve Housing Assembly	1
2	250-14-11-000	Flange Assembly	1
3	250-14-15-000	Handle Assembly	1
4	250-14-13-000	Valve Gate Assembly	1
5	250-14-12-047	Upper Valve Bottom Plate	1
6	250-14-12-048	Upper Valve Cover Plate	1
7	250-14-12-049	Upper Valve Flange	1
8	250-14-12-050	Hold Down Bar	1
9	250-14-12-051	Valve Guide	2
10	250-14-13-052	Upper Valve Gate	1
11	250-14-13-053	Cam Holder	1
12	250-14-14-054	Upper Valve Cover Plate	1
13	250-14-14-055	Valve Bearing Sleeve	1
14	250-14-14-056	SS Cam	1
15	250-14-15-057	Upper Valve Shaft	1
16	250-14-15-058	Tee Handle	1
17	R21167	7/8 OD x 5/8 ID x 3/4 Long Bushing	2
18	R08241	3/16 x 1 SS Roll Pin	1
19	R07986	3/16 x 5/8 Hardened Dowel Pin	2
20	R07619	3/8 x 1 Hex Bolt	10
21	R07794	3/8 Flange Nut	10



K31 BONDIOLI PTO

<u>Key</u>	<u>Mfg</u>	<u>R#</u>	<u>Description</u>	<u>Qty</u>
1	572060351	R21651	1 3/8 6T QD Yoke - 540 RPM	1
	572063751	R21652	1 3/8 21T QD Yoke-1000 RPM	*
2	41204	R21653	Cross Journal Assembly	2
3	338020000	R21654	Circlip	8
4	348004000	R21655	Grease Nipple	2
5	204066851	R21656	Outer Tube Yoke	1
6	341-042000	R21657	Flexible Pin	1
7	225211496	R21658	Cardan Tube	1
8	225161496	R21659	Cardan Tube	1
9	341043000	R21660	Flexible Tube	1
10	204066852	R21661	Inner Tube Yoke	1
11	606604001	R21662	Torque Lim SB6/6	1
12	255060005	R21663	O Bearing 6-7	1
13	517050071	R21664	O Cone Sets N5-6-7	1
14	236831436	R21665	Safety Tube	1
15	236821436	R21666	Safety Tube	1
16	517050061	R21667	I. Cone Sets N5-6-7	1
17	255060006	R21688	I. Bearing 6-7	1
18	403000001	R21669	Complete Push Button	1
19	240080061	R21670	Hub	1
20	213060020	R21671	Yoke	1
21	348012000	R21672	Grease Nipple	1
22	362003000	R21539	5/16 Ball	24
23	513080336	R21674	Hub c/w QD.	1
24	401000001	R21451	Complete Push Button	1
25		R21603	M10-1.5 x 60 Hex Bolt	1
26		R21605	M10-1.5 Nylon Lock Nut	1
27	5NE6166NN	R21677	Half Safety Guard	1
28	5N16166NN	R21678	Half Safety Guard	1
29	5N06166NN	R21679	Safety Guard	1

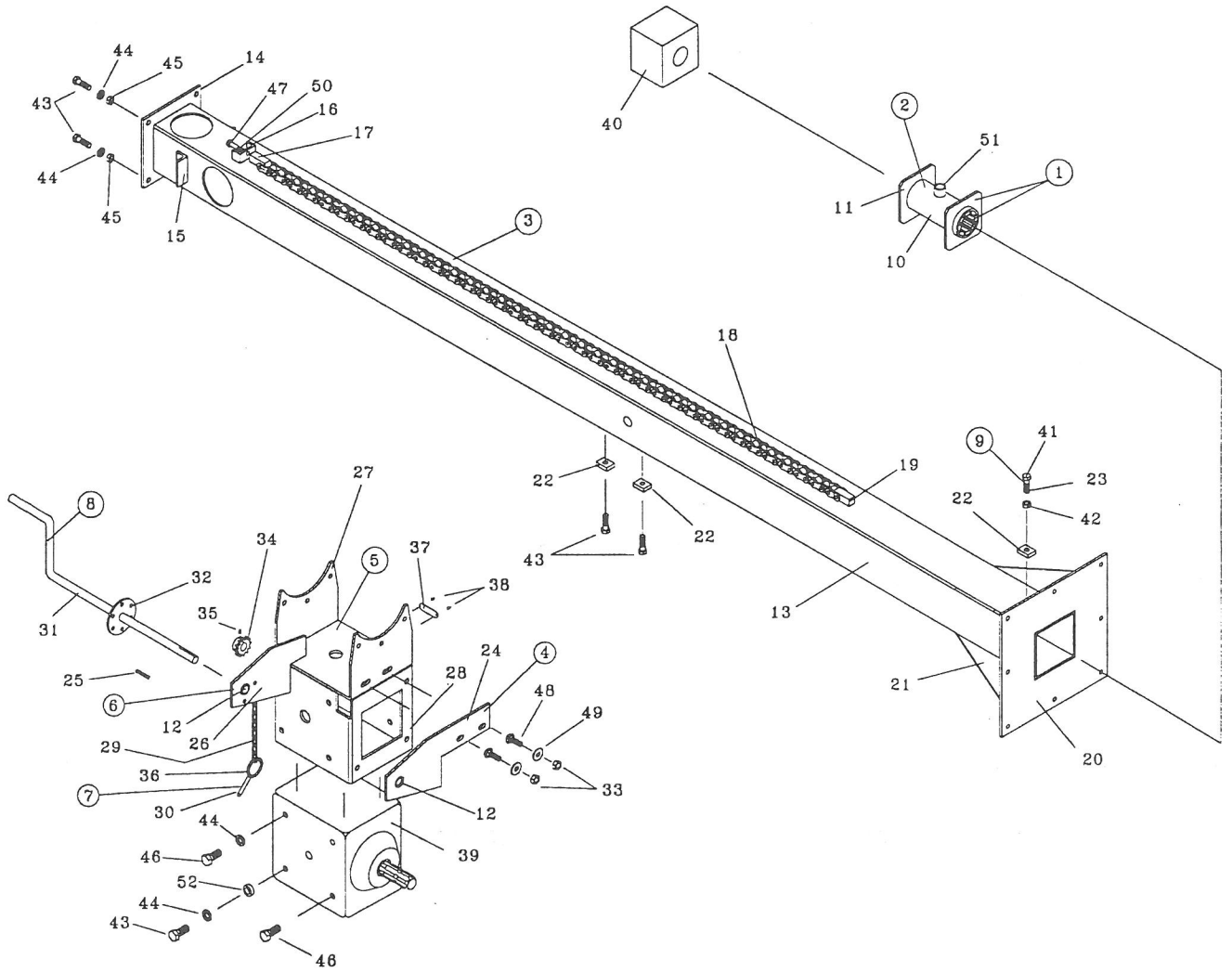


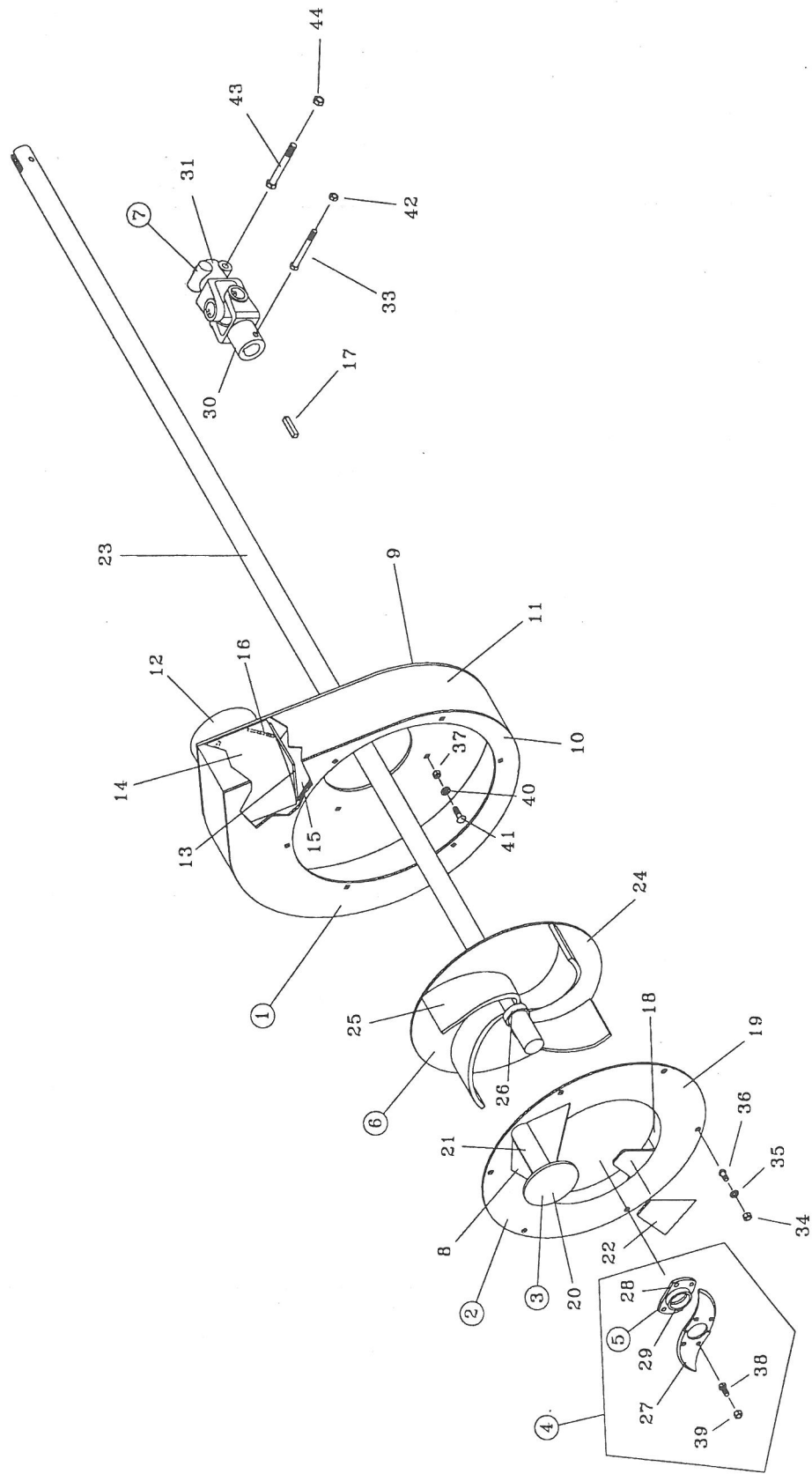
SHAFT TUBE

<u>Keys</u>	<u>Parts Number</u>	<u>Description</u>	<u>Qty</u>
1	250-76-00-000	Marine Brg & Holder Complete	1
2	250-76-34-000	Marine Brg Holder Assy.	1
3	250-05-00-000	Shaft Tube Assy. - 8 Ft. Model	1
	252-38-00-000	Shaft Tube Assy. -10Ft. Model	1
	254-39-00-000	Shaft Tube Assy. -12Ft. Model	1
4	250-89-00-000	Crank Bracket Assy.	1
5	250-16-00-000	Gearbox Bracket Assy.	1
6	250-16-18-000	Upper Crank Bracket Assy.	1
7	250-18-00-000	Lock Pin Assy. w/ Chain	1
8	250-17-00-000	Crank Assy.	1
9	250-59-00-000	Set Screw Assy.	1
10	250-76-34-180	Urethane Brg Sleeve	1
11	250-76-34-181	Brg Sleeve Holder	2
12	250-16-18-066	Sleeve	2
13	250-05-00-014	Shaft Tube - 8 Ft. Model	1
	252-38-00-109	Shaft Tube -10Ft. Model	1
	254-39-00-111	Shaft Tube - 12Ft. Model	1
14	250-05-00-016	Shaft Tube Flange	1
15	250-05-00-017	Spool Holder Stop	2
16	242-11-00-061	Tightener Belt	1
17	242-00-00-066	Chain Tightener	1
18	242-00-00-065	Roller Chain - 8 Ft.	1
	244-00-00-169	Roller Chain -10Ft.	1
	246-00-00-177	Roller Chain -12Ft.	1
19	242-11-00-059	Chain Hold Down Brkt	1
20	250-05-00-073	Lower Shaft Tube Flange	1
21	250-05-00-077	Shaft Tube Gusset	4
22	250-05-00-126	SS Set Screw Lug	3
23	250-59-00-141	SS Set Screw Reddi Rod	1
24	250-13-00-068	Crank Brkt	1
25	250-00-00-124	3/16 Key	1
26	250-16-18-065	Upper Crank Bracket	1
27	250-16-00-064	Gearbox Bracket Cover Plate	1
28	250-16-00-063	Gearbox Bracket	1
29	250-18-00-067	Lock Pin Chain	1
30	250-18-00-071	Lock Pin	1
31	250-17-00-069	Crank	1
32	250-17-00-070	Crank Lock Plate	1
33	R07784	7/16 Hex Nut	2
34	R20613	50B12 Sprocket - 3/4 Bore	1
35	R07903	1/4 x 3/8 Set Screw	1
36	R07925	1/4 x 1 1/2 Plated Ring	1
37	R09716	Serial Number Plate	1
38	R08162	Type "U" Drive Screw	2
39	R20670	Comer T276A 1:1.5 Gearbox	1
40	R20233	1 7/8 Square Wood Brg	1
41	R08235	1/2-13 SS Hex Nut	1
42	R08046	1/2-13 Jam Nut	1
43	R07674	1/2 x 1 1/4 Hex Hd Bolt	8
44	R07805	1/2" Lock Washer	10
45	R07785	1/2" Hex Nut	4
46	R07637	1/2 x 1 Hex Bolts	6
47	R07868	3/8 x 1 1/2 Socket Hd Cap Screw	1
48	R07732	7/16 x 1 1/4 Carriage Bolt	2

SHAFT TUBE CONTINUED

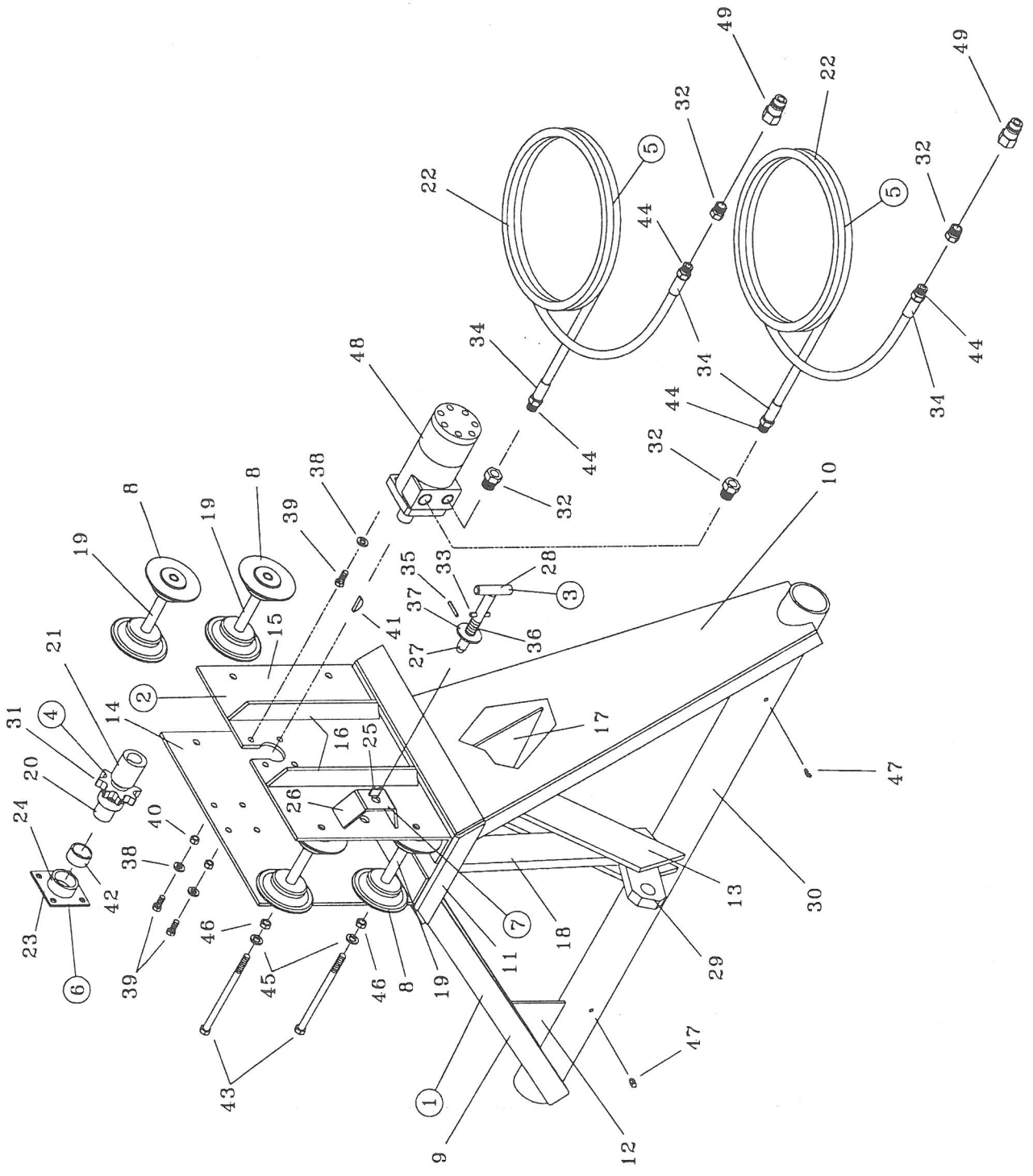
<u>Keys</u>	<u>Parts Number</u>	<u>Description</u>	<u>Qty</u>
49	R07804	7/16 Lock Washer	2
50	R07797	3/8-2 UNF Hex Nut	1
51	250-76-34-256	Stabilizer Sleeve	1
52	250-00-00-302	Spacer	2





FAN AND HOUSING

<u>Keys</u>	<u>Parts Number</u>	<u>Description</u>	<u>Qty</u>
1	250-72-00-000	Fan Housing Assy	1
2	250-04-00-000	Cover Plate Assy	1
3	250-04-03-000	Foot Assy	1
4	250-73-00-000	Cutter Blade Kit	1
5	250-73-32-000	Cutter Blade Bracket Assy.	1
6	250-03-11-000	Impeller Assy	1
7	250-75-00-000	Knuckle Assy	1
8	250-04-00-173	Foot Gusset	2
9	250-72-00-161	Upper Fan Housing Plate	1
10	250-72-00-162	Lower Fan Housing Plate	1
11	250-72-00-163	Housing Band	1
12	250-72-00-164	Discharge Tube	1
13	250-72-00-165	Side Plate	1
14	250-72-00-166	Housing Deflector Plate	1
15	250-72-00-167	Housing Corner Gusset	1
16	250-72-00-169	Housing Corner Gusset	2
17	270-00-00-075	3/8 Key - 50 mm Long	1
18	250-04-00-010	Inlet Ring	1
19	250-04-00-011	Cover Plate	1
20	250-04-03-012	Foot End	1
21	250-04-03-013	Foot Plate	1
22	250-04-00-015	Cutter Plate	1
23	250-00-00-184	Drive Shaft - 8 Ft. Model	1
	252-00-00-185	Drive Shaft -10Ft. Model	1
	254-00-00-186	Drive Shaft -12Ft. Model	1
24	250-03-00-008	Impeller Back Plate	1
25	250-03-00-009	Impeller Blade	4
26	250-03-11-018	Impeller Guide Ring	1
27	250-73-00-308	Cutter Blade	1
28	250-73-32-172	Cutter Blade Bracket	1
29	250-73-32-171	Cutter Blade Ring	1
30	250-75-00-179	1 3/4 Round Hole Yoke	1
31	R22027	1 3/8 - 6 Tooth QD Yoke	1
32	R20334	Journal & Brg Kit	1
33	R07634	7/16 x 4 Hex Hd Bolt	1
34	R07784	7/16 Hex Nut	7
35	R07804	7/16 Lock Washer	6
36	R07731	7/16 x 1 Carriage Bolt	6
37	R07783	3/8 Hex Nut	8
38	R07688	3/8 x 3/4 Hex Hd Bolt	4
39	R07794	3/8 Flange Nut	4
40	R07803	3/8 Lock Washer	6
41	R07721	3/8 x 1 Carriage Bolt	6
42	R07891	7/16 Lock Nut	1
43	R07849	9/16-18 x 3 1/4 Hex Bolt	1
44	R08049	9/16-18 2 Way Lock Nut	1



TILT FRAME

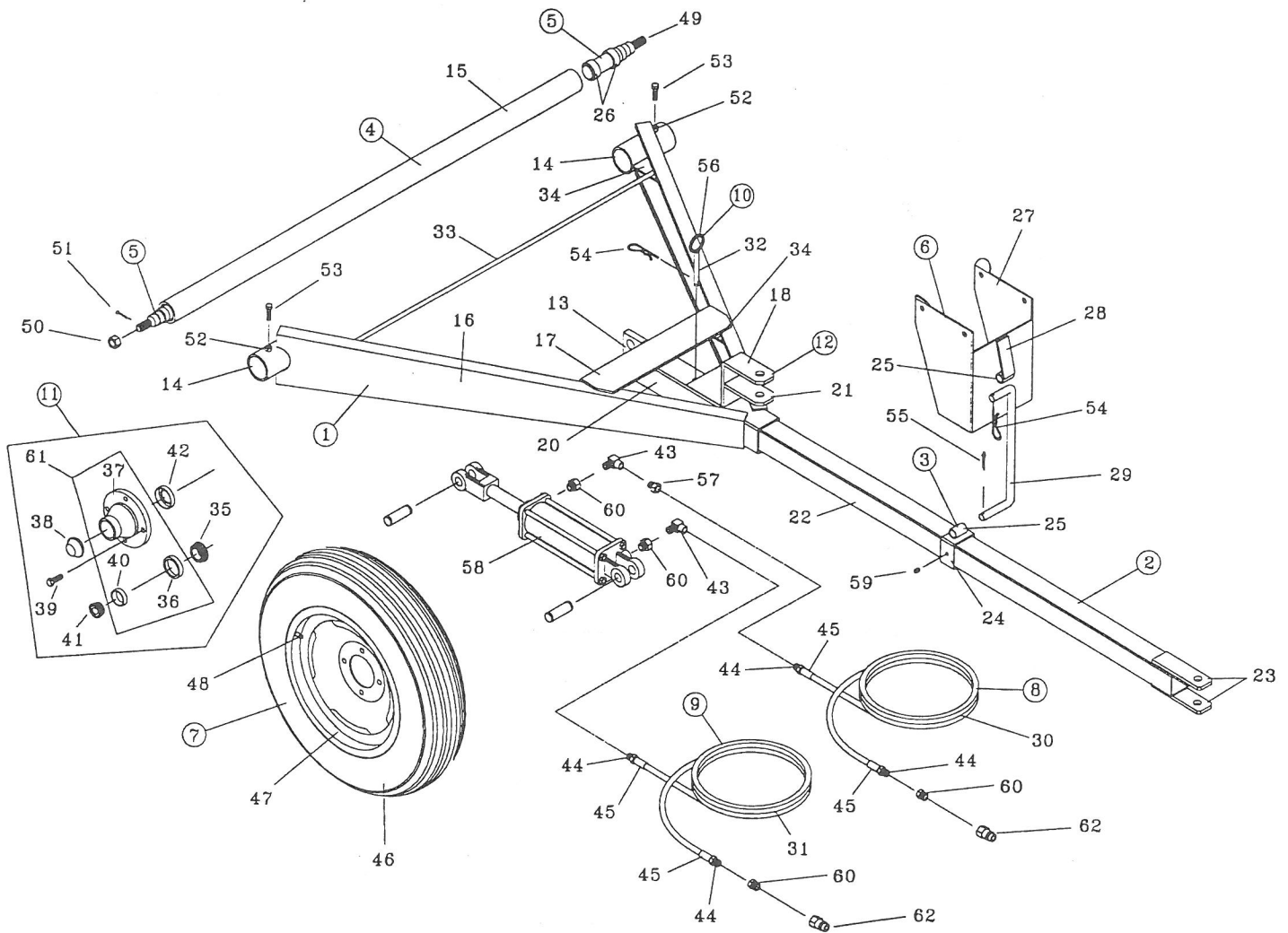
<u>Keys</u>	<u>Parts Number</u>	<u>Description</u>	<u>Qty</u>
1	250-23-00-000	Tilt Frame Assy	1
2	250-23-20-000	LH Spool Holder Assy	1
3	250-23-26-000	Side Lock Pin Assy.	1
4	250-25-00-000	Sprocket Drive Assy.	1
5	252-49-00-000	Hyd Hose Assy	2
6	242-26-00-000	Bushing Holder Assy.	1
7	242-17-17-000	Side Lock Bracket Assy.	1
8	250-00-00-183	Spool	8
9	250-23-00-079	L H Support Arm	1
10	250-23-00-078	R H Support Arm	1
11	250-23-00-081	Tilt Frame Base	1
12	250-23-00-082	Support Arm Gusset	2
13	250-23-00-083	Reinforcing Bar	1
14	250-23-00-084	R H Spool Holder	1
15	250-23-20-085	L H Spool Holder	1
16	250-23-20-086	Spool Holder Brace	2
17	250-23-00-080	Tilt Frame Gusset	1
18	250-23-00-132	Upright Support	1
19	250-00-00-089	Spool Sleeve	4
20	250-25-00-090	Sprocket Shaft	1
21	250-25-00-091	Motor To Shaft Coupling	1
22	252-49-00-123	Hydraulic Hose	2
23	242-26-00-133	Bushing Holder Plate	1
24	242-26-00-134	Bushing Holder	1
25	242-17-17-194	Pin Stop	1
26	242-17-17-193	Side Lock Bracket	1
27	250-23-26-135	Side Lock Pin	1
28	242-17-18-196	Pin Handle	1
29	250-23-00-129	Lift Arm	1
30	206-04-00-022	Pivot Tube	1
31	250-25-00-257	80B8 Sprocket 1 1/4 Bore	1
32	R02043	1/2 x 3/8 Bushing	4
33	R07943	3/16 x 1 1/2 Roll Pin	1
34	R21231	Steel Ferrules	4
35	R07950	3/16 x 1 1/4 Roll Pin	1
36	R03027	Spring	1
37	R07826	5/8 Flat Washer	1
38	R07803	3/8 Lock Washer	8
39	R07670	3/8 x 7/8 Hex Hd Bolt	8
40	R07783	3/8 Hex Nut	8
41	R11114	Drive Key Comes w/ Hyd Motor	1
42	R20259	Bushing 1 1/4 x 1 1/2 x 3/4	1
43	R07689	7/16 x 7 Hex Hd Bolt	4
44	R20803	3/8-16 NPT Solid Male Stem	4
45	R07804	7/16 Lock Washer	4
46	R07784	7/16 Hex Nut	4
47	R08183	1/4" -28 Straight Grease Fitting	2
48	R20851	Hyd Motor (Charlynn)	*
49	R22125	Hyd Motor (Danfoss - DH400-151-2129)	1
	R21342	Pioneer Ends	2

CHASSIS

<u>Keys</u>	<u>Parts Number</u>	<u>Description</u>	<u>Qty</u>
1	250-61-00-000	Chassis Assy.	1
2	250-62-00-000	Tongue Assy.	1
3	250-63-00-000	Tongue Sleeve Assy.	1
4	250-64-00-000	Axle Assy.	1
5	250-64-27-000	Spindle Assy	2
6	250-32-00-000	PTO Guard Assy.	1
7	250-65-00-000	Tire and Wheel Assy. 5.9 x 15	2
8	242-34-00-000	Hydraulic Hose Assy.	1
9	242-35-00-000	Hydraulic Hose Assy.	1
10	206-03-00-000	Tongue Pin Assy.	1
11	250-60-30-000	H-411 Hub Complete	2
12	250-61-37-000	Chassis Hitch Assy.	1
13	206-01-01-007	Base Pivot	1
14	206-01-02-008	Axle Sleeve	2
15	206-00-00-017	Axle Tube	1
16	250-61-00-142	Frame Side Member	2
17	250-61-00-143	Cross Angle	1
18	250-61-00-144	Chassis Hitch Plate	1
19	250-61-00-145	Chassis Hitch Plate Gusset	2
20	250-61-00-146	Hitch Plate	1
21	250-58-00-139	Chassis Hitch Plate Centre	1
22	250-62-00-147	Tongue Tube	1
23	206-02-00-014	Tongue Plate	2
24	250-63-00-148	Tongue Sleeve	1
25	206-02-00-015	Tie Rod Sleeve	2
26	250-64-27-149	Plug Washer	4
27	250-32-00-105	PTO Guard	1
28	250-32-00-118	PTO Guard Brace	1
29	250-00-00-106	Tie Rod	1
30	242-34-00-158	Hydraulic Hose	1
31	242-35-00-159	Hydraulic Hose	1
32	206-03-00-019	Tongue Pin	1
33	206-01-00-003	Wheel Tie Bar	1
34	206-01-00-005	Frame Gusset	4
35	R20159	Inner Cone	2
36	R20129	Inner Cup	2
37	R20160	H-411 Hub	2
38	R20143	Dust Cap	2
39	R20145	Wheel Bolts 1/2-20 x 1 1/4	8
40	R20130	Outer Cup	2
41	R20158	Outer Cone	2
42	R20144	Oil Seal	2
43	R21366	3/8" x 90 Deg. NPT Street Elbow	2
44	R20803	3/8 Solid Male Stem	4
45	R21231	Ferrule 1/4" Hyd Hose	4
46	R20016	5.9 x 15 Rib Implement Tire	2
47	R20057	4.5 x 15 Wheel -4 Bolt	2
48	R20020	Valve Stem	2
49	R20141	Spindle w/Nut	2
50	R20142	Slotted Hex Nut	2
51	R08002	5/32 x 1 1/2 Cotter Pin	2
52	R07784	7/16 Hex Nut	2
53	R07628	7/16 x 1 Hex Hd Bolt	2
54	R07948	5/32 Hair Pin	2

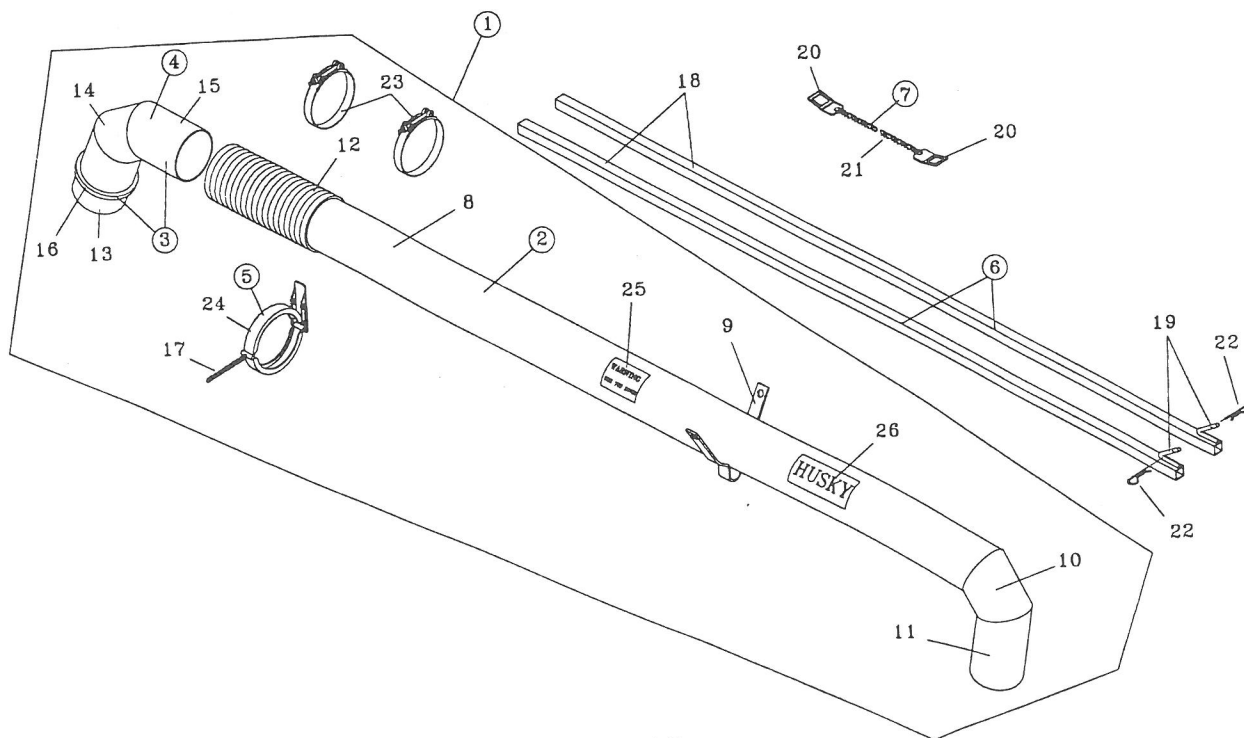
CHASSIS CONTINUED

<u>Keys</u>	<u>Parts Number</u>	<u>Description</u>	<u>Qty</u>
55	R08013	3/16 x 2 Cotter Pin	1
56	R07925	1/4 x 1 1/2 Plate Ring	1
57	R21336	3/8 -18 Restrictor	1
58	R20727	3 x 8 Hydraulic Cylinder	1
59	R07865	3/8-24 UNF Set Screw 3/8 Long	1
60	R02043	Bushing 1/2 x 3/8	4
61	R20139	H-411 Hubs w/ Cups	2
62	R21342	Pioneer Ends	2



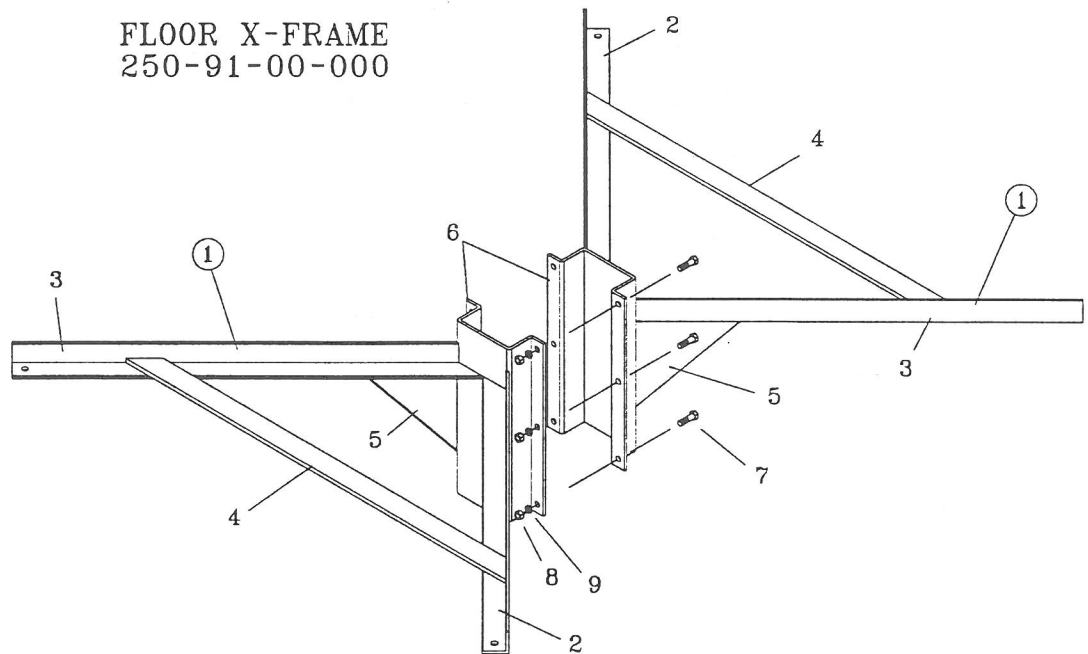
DISCHARGE PIPE

<u>Keys</u>	<u>Parts Number</u>	<u>Description</u>	<u>Qty</u>
1	250-98-00-000	15 Ft. Discharge Pipe Kit '1994'	*
	250-99-00-000	20 Ft. Discharge Pipe Kit '1994'	1
	250-94-00-000	25 Ft. Discharge Pipe Kit '1994'	*
2	250-26-22-000	Discharge Pipe Assy. - 15 Ft.	1
	250-55-25-000	Discharge Pipe Assy. - 20 Ft.	*
	250-94-01-000	Discharge Pipe Assy. - 25 Ft.	1
3	250-95-00-000	Pump Elbow w/ Ring Assy.	1
4	250-26-21-000	Pump Elbow Assy.	1
5	250-97-00-000	Clamp & Chain Assy.	1
6	242-33-00-000	Bipod Leg Assy.	2
7	242-79-00-000	Bipod Leg Chain Assy.	1
8	250-26-22-096	15 Ft. Discharge Pipe	*
	250-55-25-134	20 Ft. Discharge Pipe	1
	250-94-01-294	25 Ft. Discharge Pipe	*
9	250-26-22-099	Discharge Pipe Hook	1
10	250-26-22-097	Discharge Elbow Centre Pc	1
11	250-26-22-098	Discharge Elbow End Pc	1
12	250-00-00-095	Flex Hose Section	1
13	250-26-21-092	Pump Elbow Base Section	1
14	250-26-21-093	Pump Elbow Middle Section	1
15	250-26-21-094	Pump Elbow Upper Section	1
16	250-95-00-295	Clamp Ring	1
17	250-97-00-297	Clamp Chain	1
18	242-33-00-155	Bipod Legs	2
19	242-33-00-156	Bipod Leg hook	2
20	242-79-00-198	Bipod Leg Clip	1
21	242-79-00-199	Bipod Leg Chain	2
22	R07948	5/32 Hairpin	2
23	R02482	6" Hose Clamp	2
24	R02487	6" Ring Lock Clamp	1
25	R09690	"Tie Down" Decal	1
26	R09502	"Husky" Decal	1

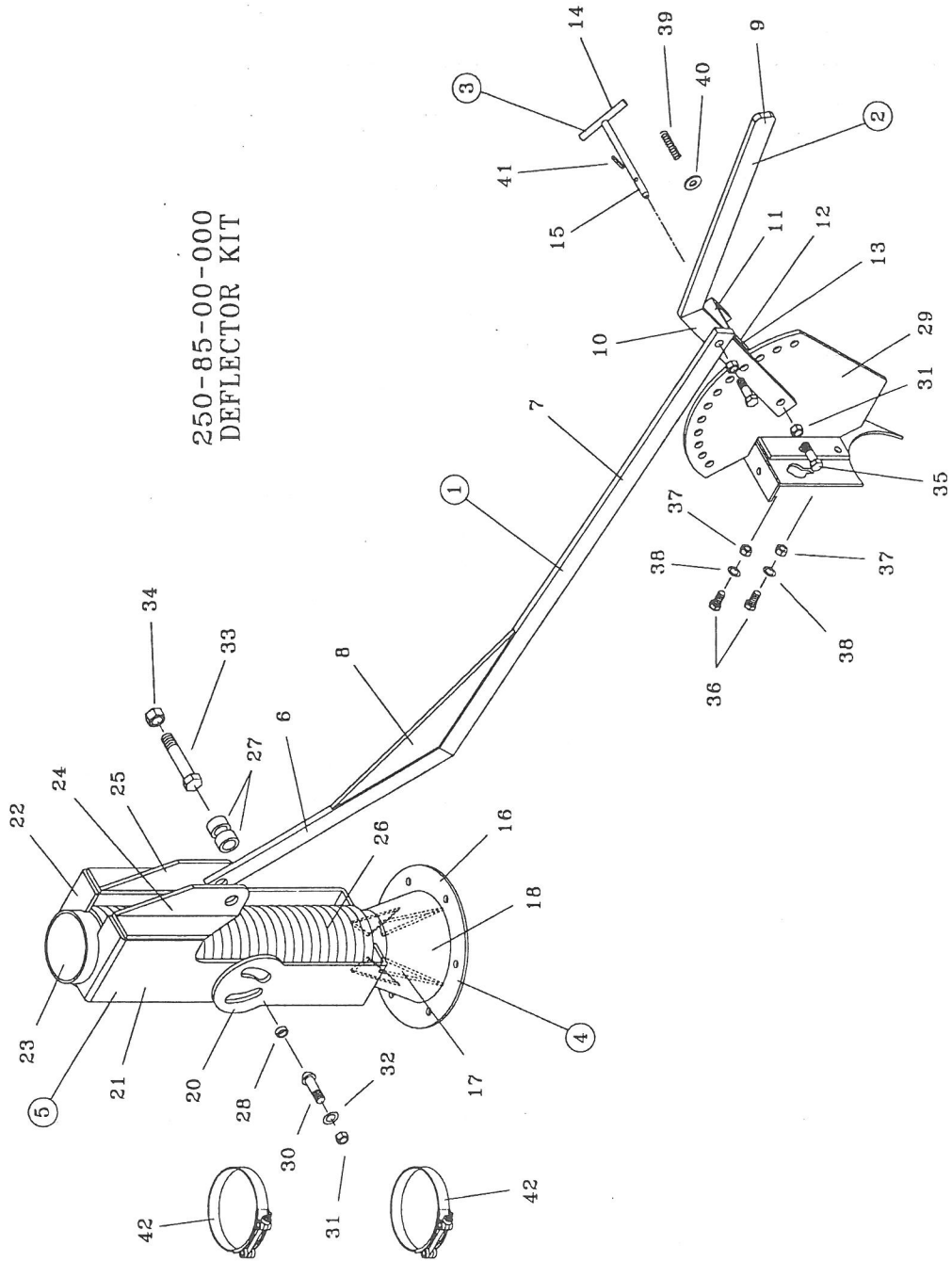


X FRAME

<u>Keys</u>	<u>Part No.</u>	<u>Description</u>	<u>Qty</u>
1	250-91-55-000	Floor Frame Assy	2
2	250-91-55-260	Floor Brkt Leg LH	2
3	250-91-55-261	Floor Brkt Leg RH	2
4	250-91-55-262	Floor Brkt Brace	2
5	250-91-55-263	Gusset	4
6	250-88-48-250	Shaft Tube Cla mp Brkt	2
7	R07629	7/16 x 1 1/2 Hex Bolt	6
8	R07784	7/16 Hex Nut	6
9	R07804	7/16 Lock Washer	6

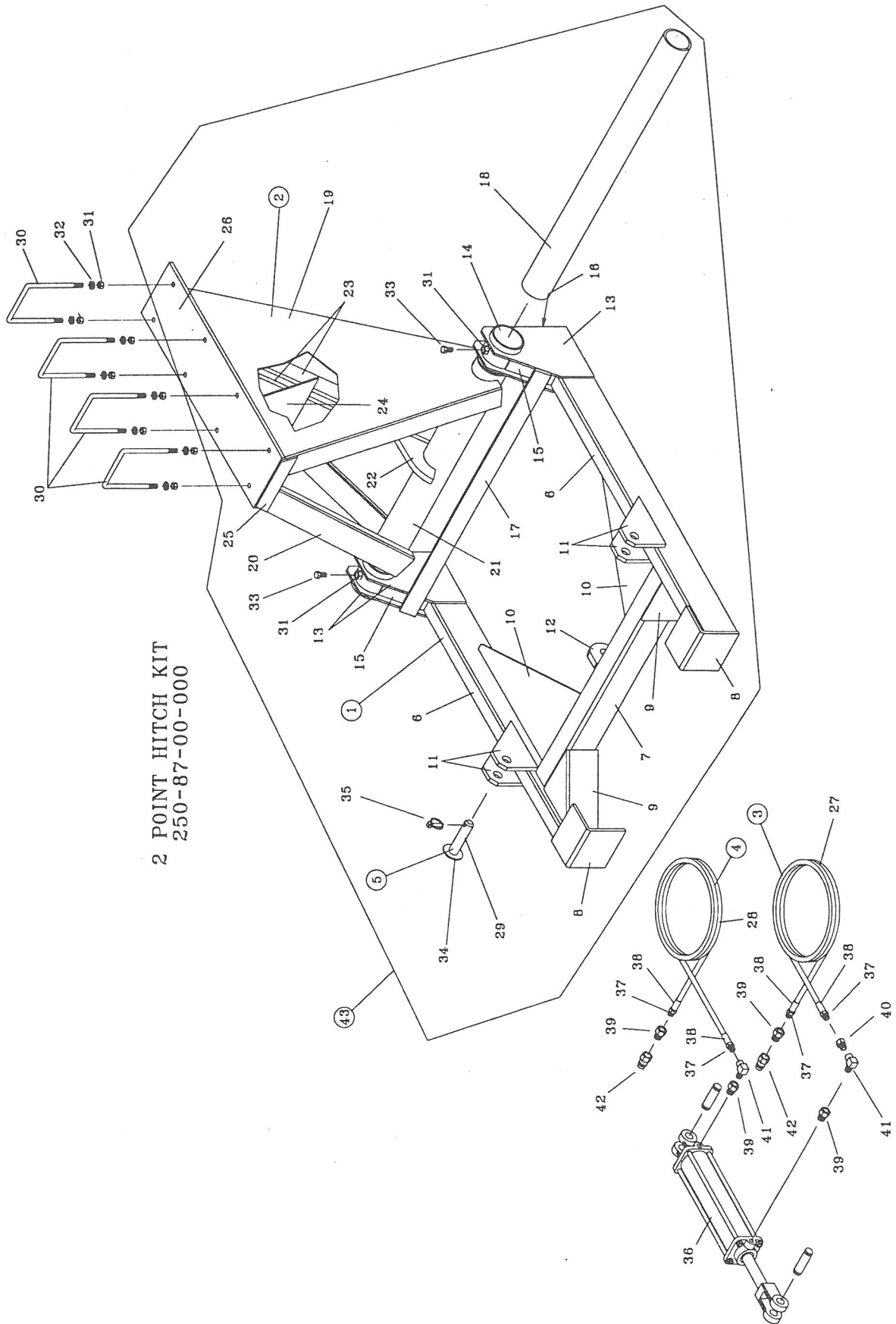


250-85-00-000
DEFLECTOR KIT



DEFLECTOR KIT

<u>Keys</u>	<u>Parts Number</u>	<u>Description</u>	<u>Qty</u>
1	250-85-40-000	Deflector Arm Assy.	1
2	250-85-41-000	Handle Assy.	1
3	250-85-42-000	Stablizer Pin Assy.	1
4	250-85-58-000	Flange & Cone Assy.	1
5	250-85-59-000	Deflector Discharge Assy.	1
6	250-85-40-202	Bottom Deflector Bar	1
7	250-85-40-203	Middle Deflector Bar	1
8	250-85-40-205	Deflector Arm Gusset	1
9	250-85-41-206	Upper Handle	1
10	250-85-41-207	Lower Handle	1
11	250-85-41-208	Stablizer Pin Bracket	1
12	250-85-41-209	Spring Stop	1
13	250-85-41-210	Spacer Bar	1
14	250-85-42-211	Pin Handle	1
15	250-85-42-212	Pin Stem	1
16	250-93-00-288	Flange	1
17	250-85-38-198	Cone Ribs	4
18	270-63-30-193	Cone Half	2
19	242-58-48-289	Cone Extension Pipe	1
20	242-58-48-288	Outer Pivot Bracket	2
21	242-58-49-290	RH Inner Pivot Bracket	1
22	242-58-49-291	LH Inner Pivot Bracket	1
23	242-58-49-292	Extension Pipe	1
24	250-85-59-291	RH Bracket	1
25	250-85-59-292	LH Bracket	1
26	242-58-00-296	Flex Hose	1
27	250-00-00-289	Spacer	2
28	244-05-00-281	Spacer Pipe	4
29	250-85-00-213	Adjusting Plate	1
30	R07731	7/16 x 1 1/4 Carriage Bolt	4
31	R07891	7/16 Nylock Nut	6
32	R07824	7/16 Flat Washer	4
33	R07649	5/8 x 3 Hex Bolt	1
34	R07887	5/8 Lock Nut	1
35	R07671	7/16 x 1 1/4 Hex Bolt	2
36	R07619	3/8 x 1 Hex Bolt	2
37	R07783	3/8 Hex Nut	2
38	R07803	3/8 Lock Washer	2
39	R08024	Spring	1
40	R07823	3/8 Flat Washer	1
41	R07977	3/16 x 1 1/4 Roll Pin	1
42	R02481	4" Clamp	2



2 POINT HITCH KIT
250-87-00-000

2-POINT HITCH KIT

<u>Keys</u>	<u>Parts Number</u>	<u>Description</u>	<u>Qty</u>
1	250-87-44-000	Main Frame Assy.	1
2	250-87-45-000	Tilt Frame Assy.	1
3	250-87-51-000	Hydraulic Hose Assy.	1
4	250-87-52-000	Hydraulic Hose Assy.	1
5	250-87-56-000	Draw Pin Assy.	2
6	250-87-44-215	Lift Arm	2
7	250-87-44-216	Cross Brace	1
8	250-87-44-217	End Cap	2
9	250-87-44-218	Angle Gusset	2
10	250-87-44-219	Cross Brace Gusset	2
11	250-87-44-220	Lift Brackets	4
12	250-87-44-221	Cylinder Lug	1
13	250-87-44-222	Tilt Frame Bracket	4
14	250-87-44-223	Tilt Frame Bracket Sleeve	2
15	250-87-44-224	Front Filler Plate	2
16	250-87-44-225	Rear Filler Plate	2
17	250-87-44-226	Cross Strap	1
18	250-87-00-227	Inner Axle Tube	1
19	250-87-45-228	LH Support Arm	1
20	250-87-45-229	RH Support Arm	1
21	250-87-45-230	Support Arm Sleeve	1
22	250-87-45-231	Cylinder Axle Bracket	1
23	250-87-45-232	Reinforcing Bars	2
24	250-87-45-233	Tilt Frame Gusset	1
25	250-87-45-234	Frame Front Gusset	1
26	250-87-45-235	Top Support Plate	1
27	250-87-51-258	Hydraulic Hose	1
28	250-87-52-259	Hydraulic Hose	1
29	250-87-56-264	Draw Pin	2
30	R08174	"U" Bolt 1/2-13 UNC x 6	4
31	R07785	1/2-13 UNC Hex Nut	10
32	R07805	1/2" Lock Washer	8
33	R07637	1/2 x 1-13 UNC Hex Bolt	2
34	R07828	1" Flat Washer	2
35	R08040	2-18 Lynch Pin	2
36	R20724	4 x 14 Hydraulic Cylinder	1
37	R20803	3/8-18 NPT Male - Solid Stem	4
38	R21231	1/4" Ferrule	4
39	R02043	1/2 x 3/8 Bushing	4
40	R21336	3/8-18 NPT Restrictor	1
41	R21366	3/8 x 90 Deg Hyd Street Elbow	1
42	R21342	1/2" Pioneer Coupler	2
43	250-87-60-000	2 Pt Hitch less Hyd & "U" Bolts	*

