

Office Copy

Date Purchased \_\_\_\_\_ Machine Serial No. \_\_\_\_\_

Size of Pump \_\_\_\_\_ Options \_\_\_\_\_

07/20/2006 - 15 made  
 Sep 7/06 - 10"  
 Nov 11/06 - 10 9"  
 Jan 22/07 - 3"  
 Mar 13/07 - 10"  
 Apr 27/07 - 7"  
 July 26/07 - 2"  
 Aug 22/07 - 8"  
 Nov 11/07 - 9"

The key number system in this parts book is arranged as follows:

- ⊙ - Key numbers with two circles denotes main assemblies.
- - Key numbers with one circle are individual parts

Please order parts by number



### K-31

**K-31 VERTICAL PIT PUMP – 8ft ▪ 250-00-00-000**

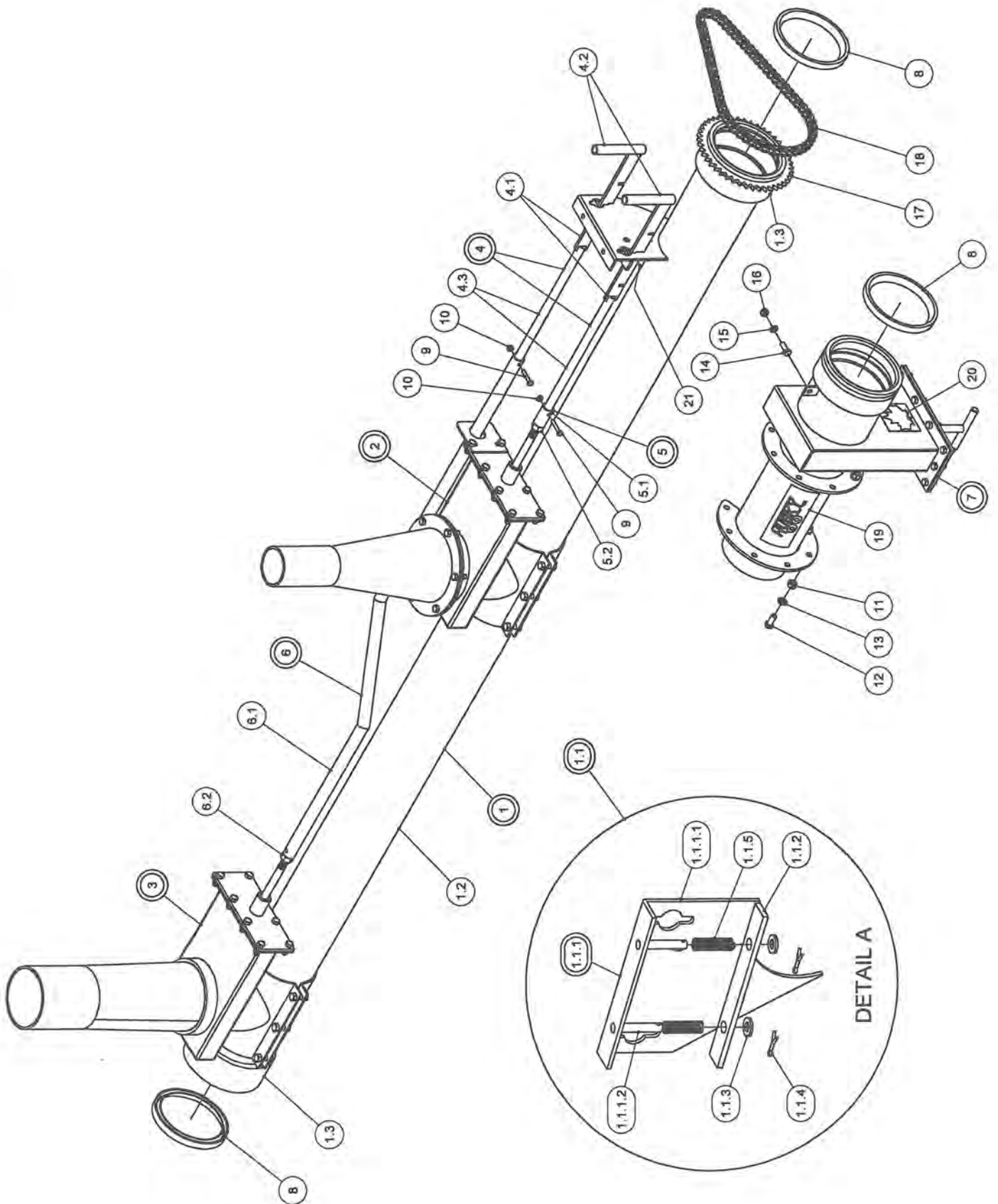
**K-31 VERTICAL PIT PUMP – 10ft ▪ 252-00-00-000**

**K-31 VERTICAL PIT PUMP – 12ft ▪ 254-00-00-000**

#### OPERATING INSTRUCTIONS:

1. Do not leave pump in manure pit – remove pump from pit – wash off and coat with old oil or diesel fuel.
2. Do not over rev. tractor while pumping as discharge spout will lift into air. Always tie down spout.
3. The (Polyurethane) marine bearing at the bottom of the pump is lubricated with manure or water. If the level of the liquid is below the bearing and you are running for long periods put a water hose in the top of the standpipe.
4. Always fill all hydraulic motors and cylinders with oil before installing in pit.
5. **EXTREME DANGER** – Never enter a dirty manure spreader or storage tank – one breath of hydrogen sulphide gas is enough to kill. Have a ladder in your pit, so that if by accident you should fall in, you can get out.

# K-31 STANDPIPE ASSY



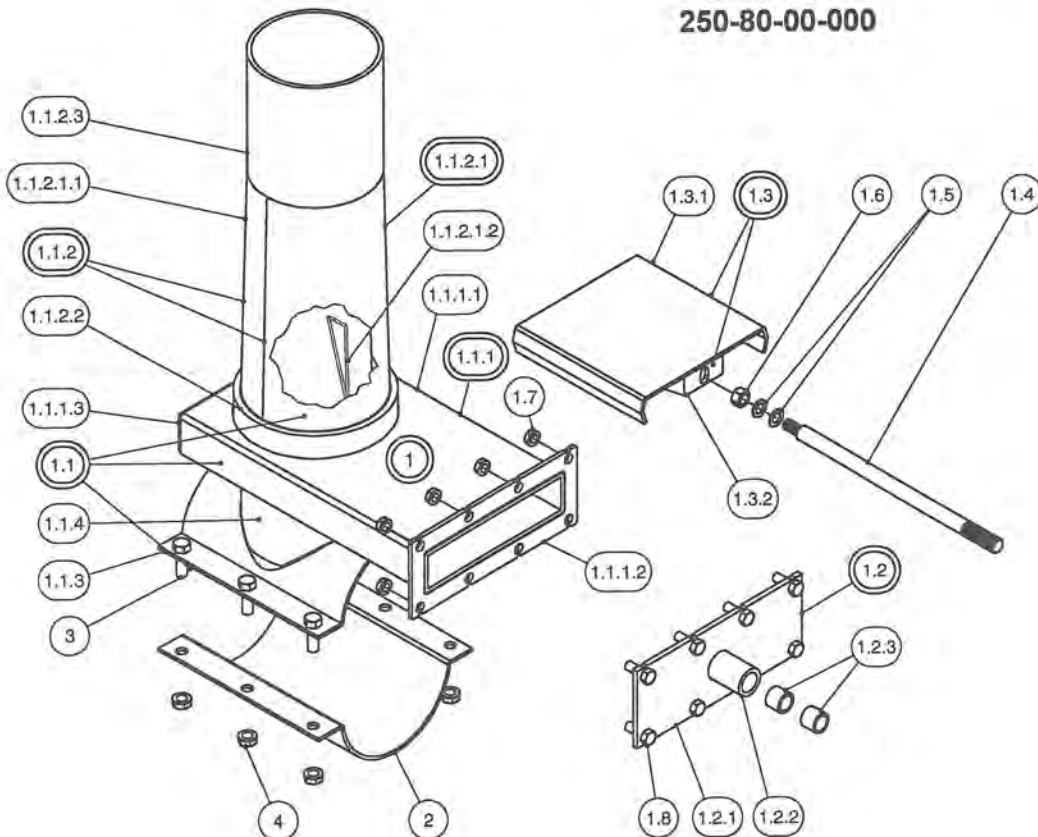
## K-31 STANDPIPE ASSY

PARTS LIST			
ITEM	PART NUMBER	DESCRIPTION	QTY
1	250-67-00-000	STANDPIPE ASSY - 8 FT PUMP	1
	252-68-00-000	STANDPIPE ASSY - 10 FT PUMP	*
	254-69-00-000	STANDPIPE ASSY - 12 FT PUMP	*
1.1	250-67-34-000	CONTROL PLATE KIT	1
1.1.1	250-67-33-000	CONTROL PLATE ASSY	1
1.1.1.1	250-67-33-000	CONTROL PLATE	1
1.1.1.2	250-67-33-176	CONTROL PLATE PIN	2
1.1.2	250-00-00-175	SPRING PLATE	1
1.1.3	R07823	3/8 FLAT WASHER	2
1.1.4	R08021	1/8 x 1 S.S. COTTER PIN	2
1.1.5	R08024	1/2 x 2 1/4 COMP. SPRING	2
1.2	250-67-00-152	STANDPIPE - 8 FT	1
	252-68-00-153	STANDPIPE - 10 FT	*
	254-69-00-154	STANDPIPE - 12 FT	*
1.3	250-67-00-168	GASKET SLEEVE	2
2	250-86-00-000	UPPER AGITATOR VALVE & TEE COMPLETE	1
3	250-80-00-000	LOWER AGITATOR VALVE COMPLETE	1
4	250-22-00-000	CONTROL ROD ASSY	2
4.1	250-21-00-076	LEVER PLATE	1
4.2	250-21-00-072	LEVER HANDLE	1
4.3	250-22-00-046	UPPER CONTROL ROD	1
5	250-19-00-000	CONTROL ROD ATTACHMENT ASSY	1
5.1	250-19-00-045	UPPER CONTROL ROD ATTACHMENT	1
5.2	R07786	5/8 HEX NUT	1
(6)	254-43-00-000	LOWER CONTROL ROD ASSY - 12 FT PUMP	*
(6)	252-42-00-000	LOWER CONTROL ROD ASSY - 10 FT PUMP	*
6	250-20-00-000	LOWER CONTROL ROD ASSY - 8 FT PUMP	1
6.1	250-20-00-075	LOWER CONTROL - 8 FT PUMP	1
	252-42-00-110	LOWER CONTROL - 10 FT PUMP	*
	254-43-00-112	LOWER CONTROL - 12 FT PUMP	*
6.2	R07786	5/8 HEX NUT	1
7	250-96-00-000	UPPER VALVE & EXTENSION PIPE ASSY	1
8	R02366	6" RUBBER GASKET	3
9	R07603	1/4 x 1 1/2 UNC HEX BOLT	2
10	R08048	1/4-20 UNC 2-WAY LOCK NUT	2
11	R07784	7/16-14 UNC HEX NUT	6
12	R07628	7/16 x 1 UNC HEX BOLT	6
13	R07804	7/16" LOCK WASHER	6
14	R07619	3/8 x 1 UNC HEX BOLT	1
15	R07803	3/8" LOCK WASHER	1
16	R07783	3/8-16 UNC HEX NUT	1
17	R20612	50A44 SPROCKET	1
18	250-00-00-104	#50 ROLLER CHAIN	1
19	R09671	"HUSKY" DECAL	1
20	R09509	"MADE IN CANADA" DECAL - LARGE	1
21	250-12-00-044	CONTROL PLATE GUSSET	1

# LOWER AGITATOR VALVE

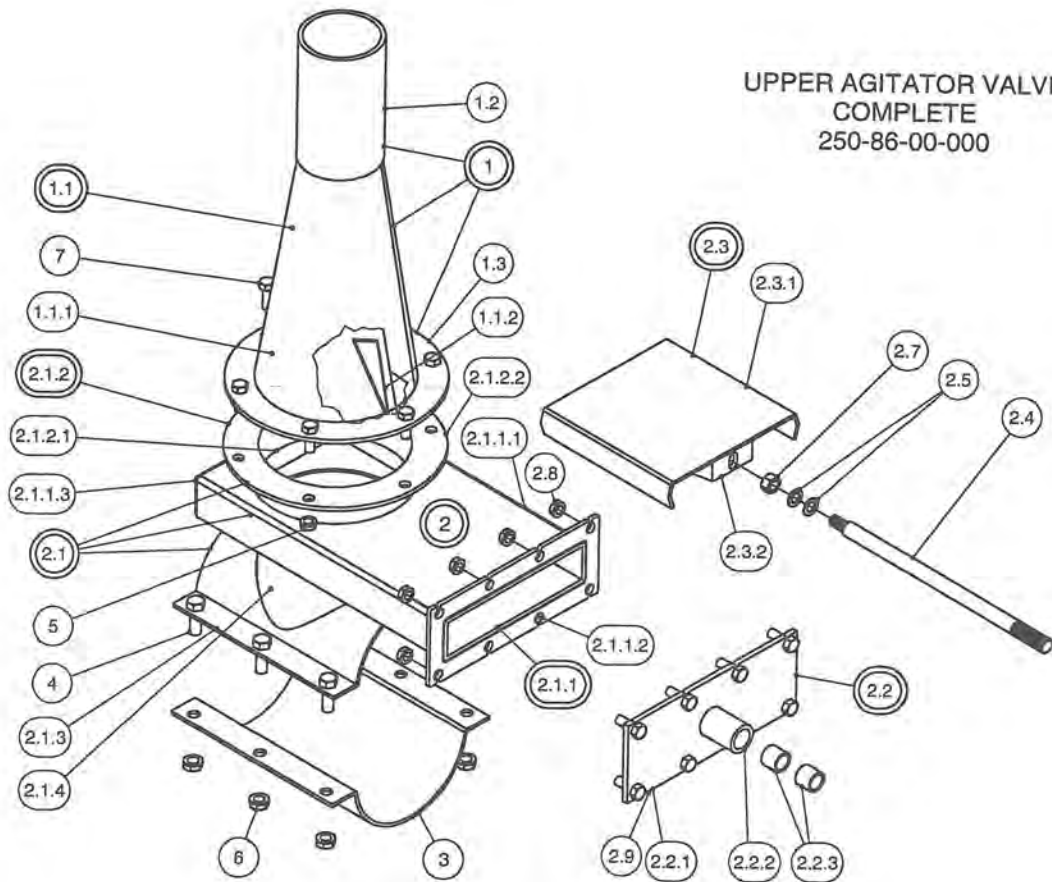
PARTS LIST				PARTS LIST			
ITEM	PART NUMBER	DESCRIPTION	QTY	ITEM	PART NUMBER	DESCRIPTION	QTY
1	250-80-01-000	LOWER AGITATOR VALVE & TEE ASSY	1	1.2.1	250-79-36-188	VALVE OUTER FLANGE	1
1.1	250-79-00-000	LOWER AGITATOR VALVE ASSY	1	1.2.2	250-08-06-030	VALVE BUSHING HOLDER	1
1.1.1	250-79-35-000	AGITATOR VALVE HOUSING ASSY	1	1.2.3	R21167	7/8 OD x 5/8 ID x 3/4 LONG BUSHING	2
1.1.1.1	250-79-35-189	VALVE HOUSING	1	1.3	275-17-00-000	VALVE GATE ASSY	1
1.1.1.2	275-01-02-012	VALVE FLANGE	1	1.3.1	275-17-00-080	VALVE GATE	1
1.1.1.3	275-01-02-062	VALVE END CAP	1	1.3.2	275-17-00-081	VALVE GATE BRACKET	1
1.1.2	250-79-53-000	LOWER AGIT. CONE & MOUNT ASSY	1	1.4	250-00-00-023	VALVE SHAFT	1
1.1.2.1	250-09-08-000	LOWER AGITATOR CONE ASSY	1	1.5	R08221	7/16 SS FLAT WASHER	2
1.1.2.1.1	250-09-08-036	LOWER CONE HALF	2	1.6	R08228	7/16 S.S. NYLOCK NUT	1
1.1.2.1.2	250-09-08-037	CONE RIBS	4	1.7	R07794	3/8 FLANGE NUT	8
1.1.2.2	250-09-08-031	CONE MOUNT	1	1.8	R07619	3/8 x 1 HEX BOLT	8
1.1.2.3	250-79-53-330	LOWER CONE EXTENSION TUBE	1	2	250-00-00-151	CLAMP ON BRACKET	1
1.1.3	250-66-00-150	CONE CLAMP ON BRACKET	1	3	R07671	7/16 x 1 1/4 HEX BOLT	6
1.1.4	250-09-07-035	TEE SIDE	1	4	R07879	7/16 FLANGE NUT	6
1.2	250-79-36-000	OUTER FLANGE ASSY w/ BUSHINGS	1				

## LOWER AGITATOR VALVE COMPLETE 250-80-00-000



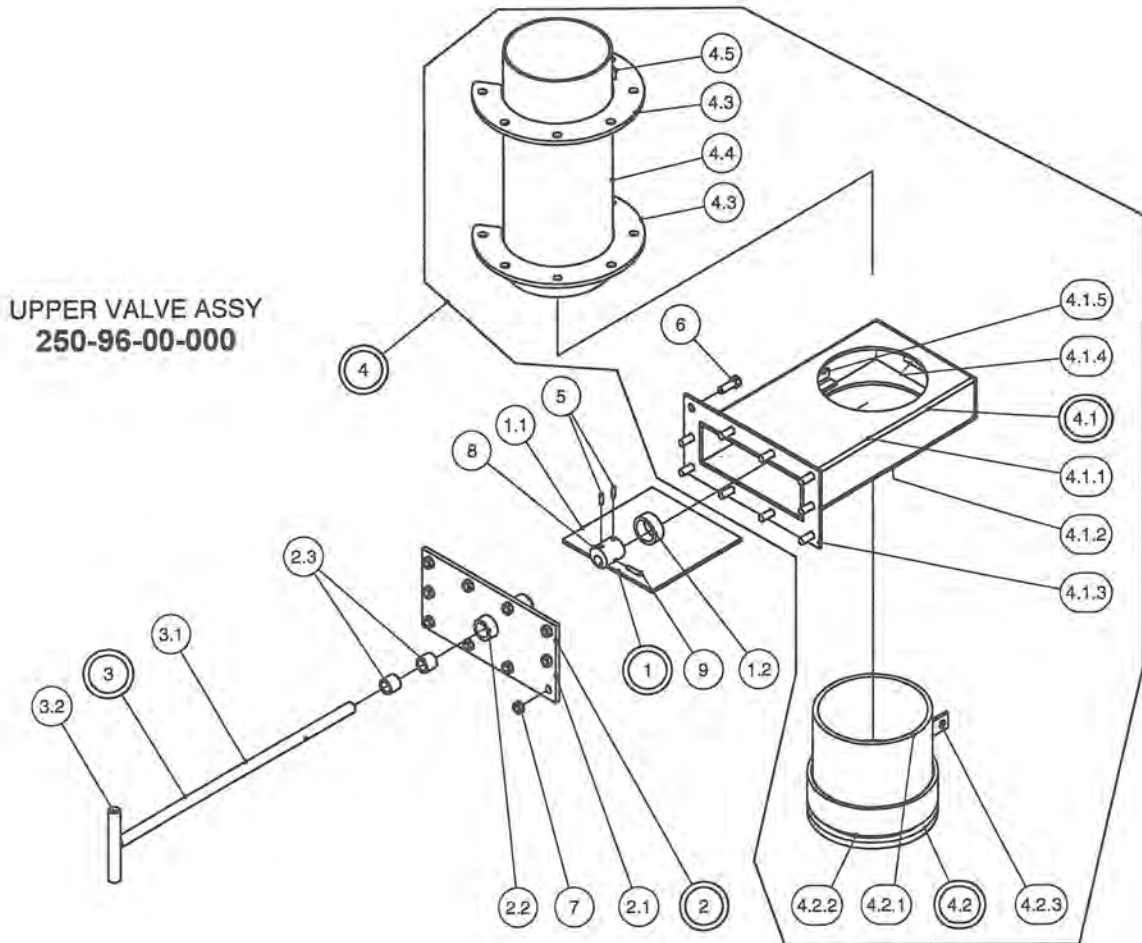
# UPPER AGITATOR VALVE COMPLETE

PARTS LIST				PARTS LIST			
ITEM	PART NUMBER	DESCRIPTION	QTY	ITEM	PART NUMBER	DESCRIPTION	QTY
1	250-93-00-000	UPPER CONE & FLANGE ASSY	1	2.2.1	250-79-36-188	VALVE OUTER FLANGE	1
1.1	250-86-43-000	UPPER CONE & FLANGE ASSY	1	2.2.2	250-08-06-030	VALVE BUSHING HOLDER	1
1.1.1	250-86-43-214	UPPER CONE HALF	2	2.2.3	R21167	7/8 OD x 5/8 ID x 3/4 LONG BUSHING	2
1.1.2	250-09-08-037	CONE RIBS	4	2.3	275-17-00-000	VALVE GATE ASSY	1
1.2	250-93-00-331	UPPER CONE EXTENSION TUBE	1	2.3.1	275-17-00-080	VALVE GATE	1
1.3	250-93-00-288	FLANGE	1	2.3.2	275-17-00-081	VALVE GATE BRACKET	1
2	250-86-01-000	UPPER AGITATOR VALVE ASSY	1	2.4	250-00-00-023	VALVE SHAFT	1
2.1	250-90-00-000	UPPER AGITATOR VALVE ASSY	1	2.5	R08221	7/16 SS FLAT WASHER	2
2.1.1	250-79-35-000	AGITATOR VALVE HOUSING ASSY	1	2.6	250-00-00-160	CONTROL ROD SUPPORT	1
2.1.1.1	250-79-35-189	VALVE HOUSING	1	2.7	R08228	7/16 S.S. NYLOCK NUT	1
2.1.1.2	275-01-02-012	VALVE FLANGE	1	2.8	R07794	3/8 FLANGE NUT	8
2.1.1.3	275-01-02-062	VALVE END CAP	1	2.9	R07619	3/8 x 1 HEX BOLT	8
2.1.2	250-90-57-000	UPPER MOUNT & VALVE ASSY	1	3	250-00-00-151	CLAMP ON BRACKET	1
2.1.2.1	250-09-08-031	CONE MOUNT	1	4	R07671	7/16 x 1 1/4 HEX BOLT	6
2.1.2.2	250-93-00-288	FLANGE	1	5	R07794	3/8 FLANGE NUT	6
2.1.3	250-66-00-150	CONE CLAMP ON BRACKET	1	6	R07879	7/16 FLANGE NUT	6
2.1.4	250-09-07-035	TEE SIDE	1	7	R07619	3/8 x 1 HEX BOLT	6
2.2	250-79-36-000	OUTER FLANGE ASSY w/ BUSHINGS	1				



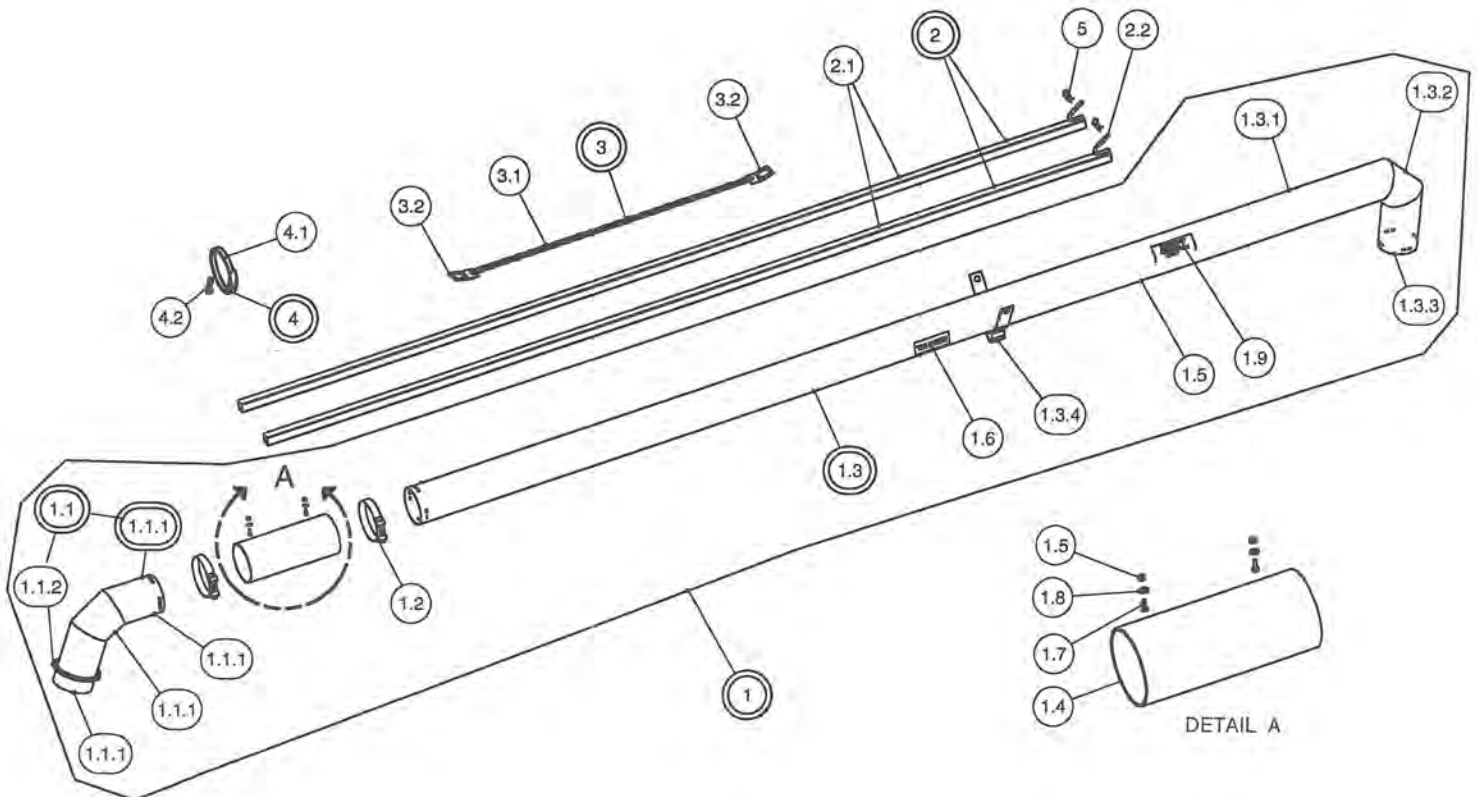
# UPPER VALVE ASSY

PARTS LIST				PARTS LIST			
ITEM	PART NUMBER	DESCRIPTION	QTY	ITEM	PART NUMBER	DESCRIPTION	QTY
1	250-14-13-000	UPPER VALVE & EXT. PIPE ASSY	1	4.1.4	250-14-12-050	HOLD DOWN BAR	1
1.1	250-14-13-052	UPPER VALVE GATE	1	4.1.5	250-14-12-051	VALVE GUIDE	2
1.2	250-14-13-053	CAM HOLDER	1	4.2	250-96-01-000	UPPER EXTENSION PIPE ASSY	1
2	250-14-11-000	FLANGE ASSY	1	4.2.1	250-15-17-061	VALVE EXTENSION PIPE	1
2.1	250-14-14-054	UPPER VALVE COVER PLATE	1	4.2.2	250-96-01-296	COUPLING BASE TUBE	1
2.2	250-14-14-055	VALVE BEARING SLEEVE	1	4.2.3	250-96-00-298	CHAIN LUG	1
2.3	R21167	7/8 OD x 5/8 ID x 3/4 LONG BUSHING	2	4.3	250-15-00-060	MOUNT BRACKET	2
3	250-14-15-000	HANDLE ASSY	1	4.4	250-15-00-059	FIXED UPPER STANDPIPE	1
3.1	250-14-15-057	UPPER VALVE SHAFT	1	4.5	250-15-00-170	STOP RING	1
3.2	250-14-15-058	TEE HANDLE	1	5	R07986	3/16 x 5/8 HARDENED DOWEL PIN	2
4	250-96-02-000	VALVE & EXTENSION PIPE ASSY	1	6	R07619	3/8 x 1 HEX BOLT	10
4.1	250-14-12-000	UPPER VALVE HOUSING ASSY	1	7	R07794	3/8 FLANGE NUT	10
4.1.1	250-14-12-047	UPPER VALVE BOTTOM PLATE	1	8	250-14-14-056	SS CAM	1
4.1.2	250-14-12-048	UPPER VALVE COVER PLATE	1	9	R08241	3/16 x 1 SS ROLL PIN	1
4.1.3	250-14-12-049	UPPER VALVE FLANGE	1				

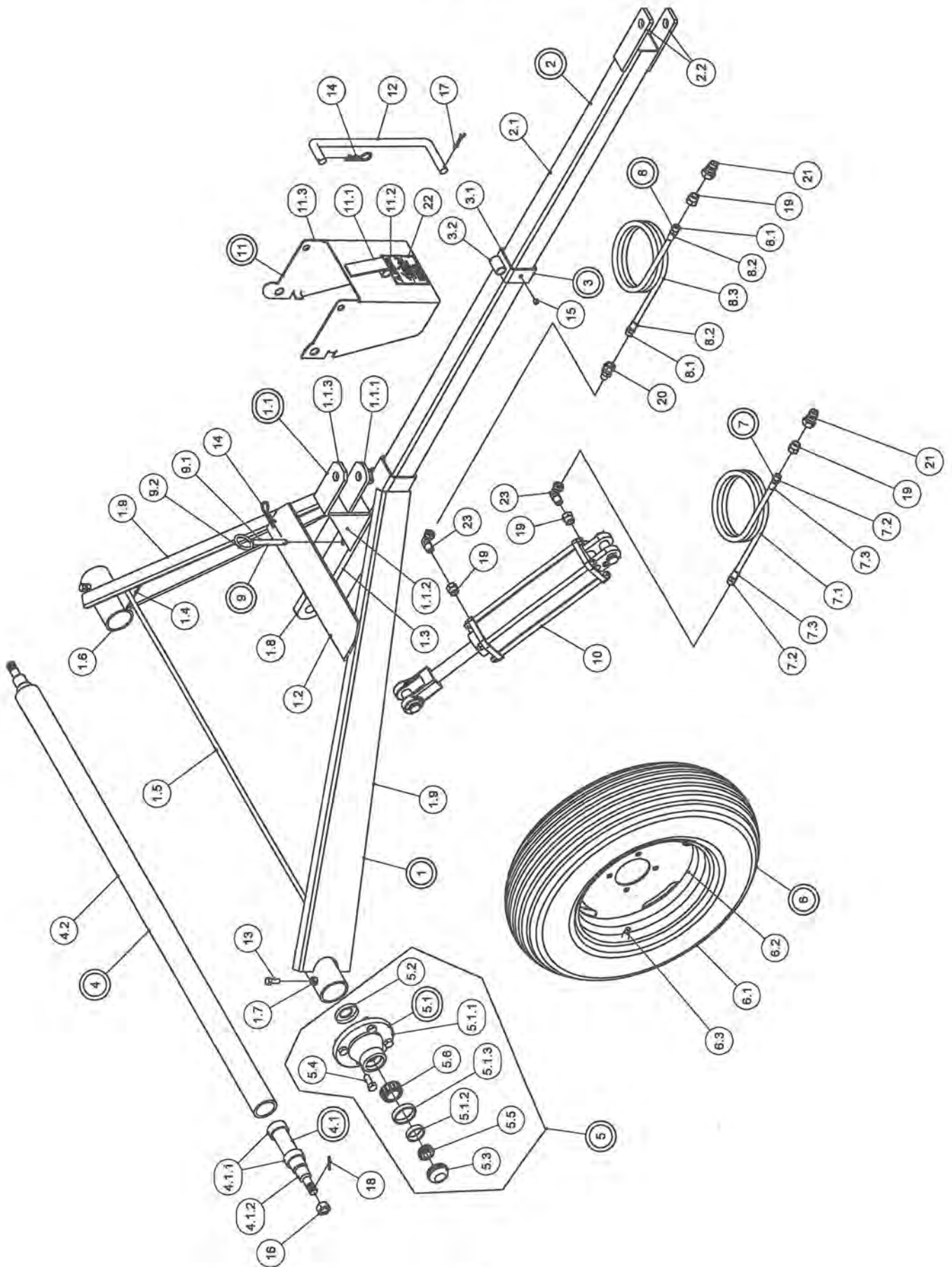


# DISCHARGE PIPE

PARTS LIST				PARTS LIST			
ITEM	PART NUMBER	DESCRIPTION	QTY	ITEM	PART NUMBER	DESCRIPTION	QTY
1	250-98-00-000	15 FT DISCHARGE PIPE KIT	*	1.3.4	250-26-22-099	DISCHARGE PIPE HOOK	1
	250-99-00-000	20 FT DISCHARGE PIPE KIT	1	1.4	250-00-00-095	FLEX HOSE SECTION	1
	250-94-00-000	25 FT DISCHARGE PIPE KIT	*	1.5	R07781	1/4 HEX NUT	4
	252-09-00-000	30 FT DISCHARGE PIPE KIT	*	1.6	R09690	"TIE DOWN" DECAL	1
1.1	250-95-00-000	PUMP ELBOW w/ RING ASSY	1	1.7	R07677	1/4 x 3/4 HEX BOLT	4
1.1.1	250-26-21-000	PUMP ELBOW ASSY	1	1.8	R07821	1/4 FLAT WASHER	4
1.1.2	250-95-00-295	CLAMP RING	1	1.9	R09502	"HUSKY" DECAL	1
1.2	R02482	6" HOSE CLAMP	2	2	242-33-00-000	BIPOD LEG ASSY	2
(1.3)	250-55-25-000	20 FT DISCHARGE PIPE ASSY	1	2.1	242-33-00-155	BIPOD LEGS	1
(1.3)	250-94-01-000	25 FT DISCHARGE PIPE ASSY	*	2.2	242-33-00-156	BIPOD LEG HOOK	1
(1.3)	250-09-01-000	30 FT DISCHARGE PIPE ASSY	*	3	242-79-00-000	BIPOD LEG CHAIN ASSY	1
1.3	250-26-22-000	15 FT DISCHARGE PIPE ASSY	*	3.1	242-79-00-199	BIPOD LEG CHAIN	1
1.3.1	250-26-22-096	15 FT DISCHARGE PIPE	*	3.2	242-79-00-198	BIPOD LEG CLIP	2
	250-55-25-134	20 FT DISCHARGE PIPE	1	4	250-97-00-000	CLAMP & CHAIN ASSY	1
	250-94-01-294	25 FT DISCHARGE PIPE	*	4.1	R02487	6" RING LOCK CLAMP	1
	252-09-01-326	30 FT DISCHARGE PIPE	*	4.2	250-97-00-297	CLAMP CHAIN	1
1.3.2	250-26-22-097	DISCHARGE ELBOW CENTER PIECE	1	5	R07948	5/32 HAIR PIN	2
1.3.3	250-26-22-098	DISCHARGE ELBOW END PIECE	1				



# CHASSIS

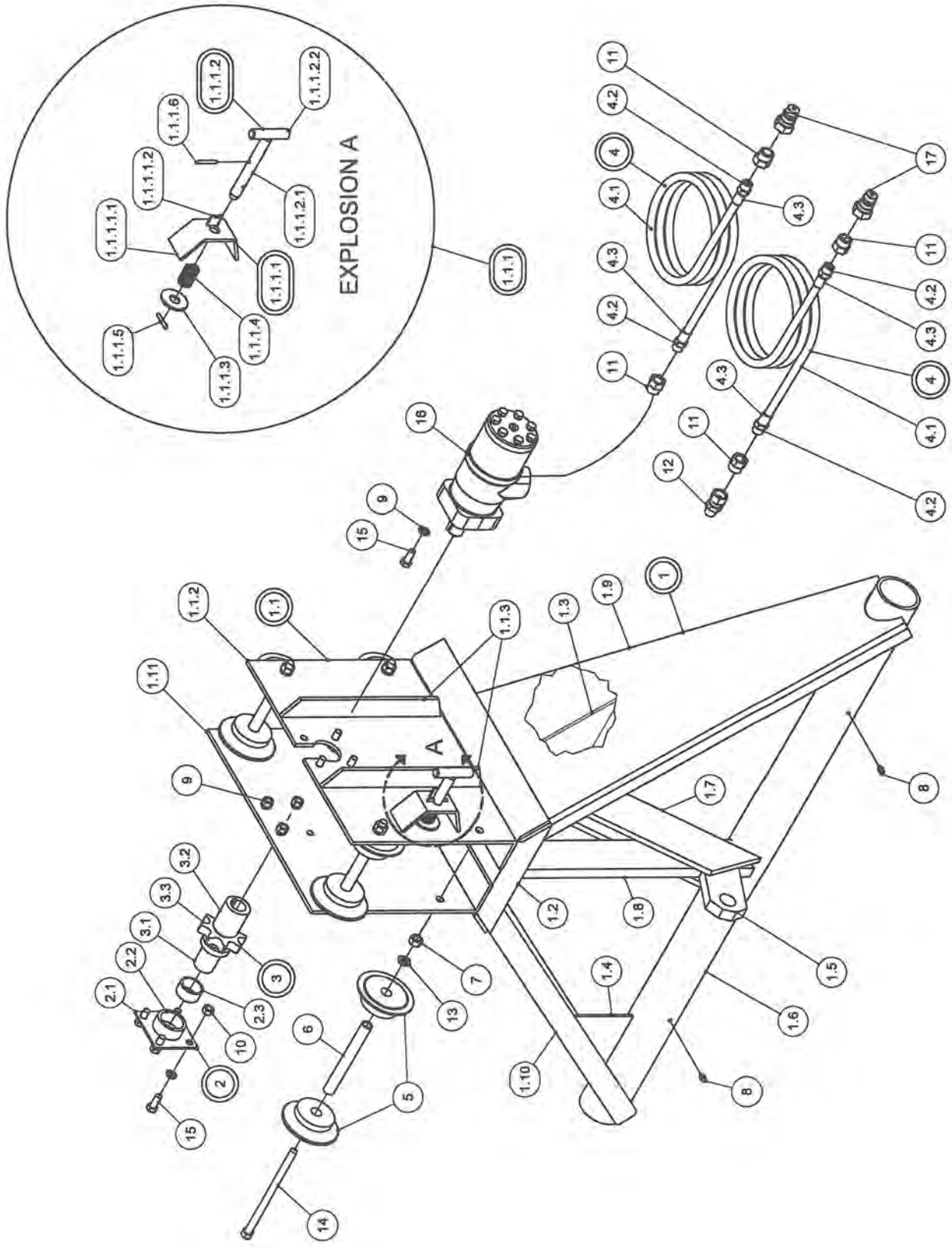




## CHASSIS

PARTS LIST				PARTS LIST			
ITEM	PART NUMBER	DESCRIPTION	QTY	ITEM	PART NUMBER	DESCRIPTION	QTY
1	250-61-00-000	CHASSIS ASSY	1	5.6	R20159	LM29748 INNER CONE	1
1.1	250-61-37-000	CHASSIS HITCH ASSY	1	6	250-65-00-000	TIRE & WHEEL ASSY - 5.9 x 15	2
1.1.1	250-58-00-139	CHASSIS HITCH PLATE CENTER	1	6.1	R20016	5.9 x 15 RIB IMPLEMENT TIRE	1
1.1.2	250-61-00-145	CHASSIS HITCH PLATE GUSSET	2	6.2	R20057	4.5 x 15 WHEEL - 4 BOLT	1
1.1.3	250-61-00-144	CHASSIS HITCH PLATE	1	6.3	R20020	VALVE STEM	1
1.2	250-61-00-143	CROSS ANGLE	1	7	242-34-00-000	HYDRAULIC HOSE ASSY	1
1.3	250-61-00-146	HITCH PLATE	1	7.1	242-34-00-158	HYDRAULIC HOSE	1
1.4	206-01-00-005	FRAME GUSSET	4	7.2	R20803	3/8 - 16 NPT SOLID MALE STEM	2
1.5	206-01-00-003	WHEEL TIE BAR	1	7.3	R21231	STEEL FERRULE - 1/4"	2
1.6	206-01-02-008	AXLE SLEEVE	2	8	242-35-00-000	HYDRAULIC HOSE ASSY	1
1.7	R07784	7/16 HEX NUT	2	8.1	R20803	3/8 - 16 NPT SOLID MALE STEM	2
1.8	206-01-01-007	BASE PIVOT	1	8.2	R21231	STEEL FERRULE - 1/4"	2
1.9	250-61-00-142	FRAME SIDE MEMBER	2	8.3	242-35-00-159	HYDRAULIC HOSE - 14000L	1
2	250-62-00-000	TONGE ASSY	1	9	206-03-00-000	TONGE PIN ASSY	1
2.1	250-62-00-147	TONGE TUBE	1	9.1	206-03-00-019	TONGE PIN	1
2.2	206-02-00-014	TONGE PLATE	2	9.2	250-00-00-354	1/4 X 1 1/2" RING	1
3	250-63-00-000	TONGE SLEEVE ASSY	1	10	R20727	3 x 8 HYDRAULIC CYLINDER	1
3.1	250-63-00-148	TONGE SLEEVE	1	11	250-32-00-000	PTO GUARD ASSY	1
3.2	206-02-00-015	TIE ROD SLEEVE	1	11.1	250-32-00-118	PTO GUARD BRACE	1
4	250-64-00-000	AXLE ASSY	1	11.2	206-02-00-015	TIE ROD SLEEVE	1
4.1	250-64-27-000	SPINDLE ASSY	2	11.3	250-32-00-105	PTO GUARD	1
4.1.1	250-64-27-149	PLUG WASHER	2	12	250-00-00-106	TIE ROD	1
4.1.2	R20141	SPINDLE	1	13	R07628	7/16 x 1 HEX BOLT	2
4.2	206-00-00-017	AXLE TUBE	1	14	R07948	5/32 HAIR PIN	2
5	250-60-30-000	H-411 HUB COMPLETE	2	15	R07865	3/8 - 24 UNF SET SCREW 3/8 LONG	1
5.1	R20139	H-411 HUBS w/ CUPS	1	16	R20142	SLOTTED HEX NUT	2
5.1.1	R20160	411- BOLT HUB	1	17	R08013	3/16 x 2 COTTER PIN	1
5.1.2	R20130	H411 LM11910 O.CUP	1	18	R08002	5/32 x 1 1/2 COTTER PIN	2
5.1.3	R20129	H411 LM67010 I.CUP	1	19	R02043	BUSHING 1/2 x 3/8	4
5.2	R20144	OIL SEAL	1	20	R21336	3/8 - 18 RESTRICTOR	1
5.3	R20143	DUST CAP	1	21	R21342	1/2" MALE PIONEER TIP	2
5.4	R20145	WB55 1/2 x 1 WHEEL BOLT	4	22	R21521	"ROTATING DRIVE LINE" DECAL	1
5.5	R20158	LM67048 OUTER CONE	1	23	R21328	3/8 NPT x 90 DEG SW. ADAPTER	2

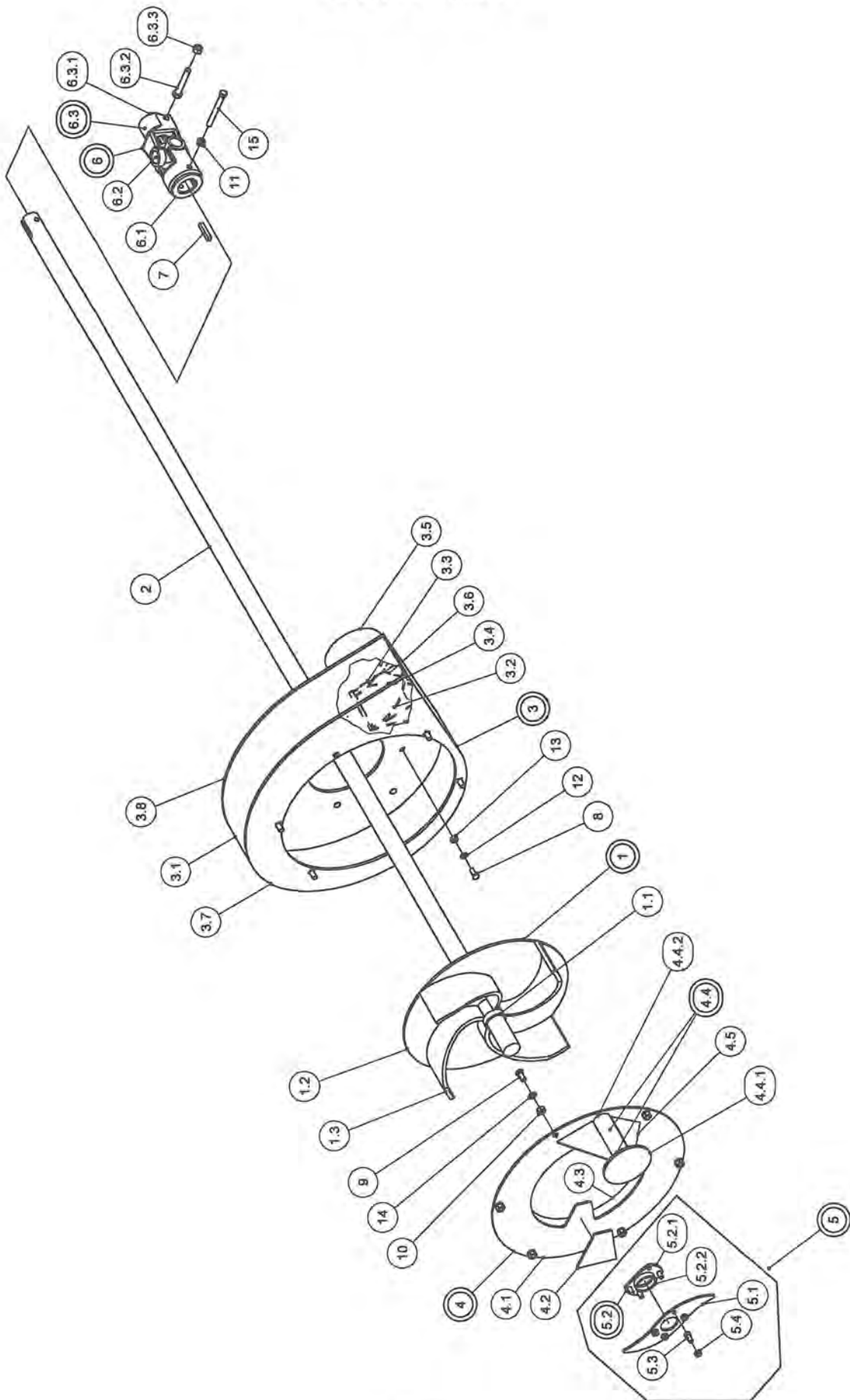
# TILT FRAME



## TILT FRAME

PARTS LIST				PARTS LIST			
ITEM	PART NUMBER	DESCRIPTION	QTY	ITEM	PART NUMBER	DESCRIPTION	QTY
1	250-23-00-000	TILT FRAME ASSY	1	2	242-26-00-000	BUSHING HOLDER ASSY	1
1.1	250-23-20-000	LH SPOOL HOLDER ASSY	1	2.1	242-26-00-133	BUSHING HOLDER PLATE	1
1.1.1	252-12-00-000	SIDE LOCK PIN KIT	1	2.2	242-26-00-134	BUSHING HOLDER	1
1.1.1.1	242-17-17-000	SIDE LOCK BRACKET ASSY	1	2.3	R20259	BUSHING 1 1/4 x 1 1/2 x 3/4 LONG	1
1.1.1.1.1	242-17-17-193	SIDE LOCK BRACKET	1	3	250-25-00-000	SPROCKET DRIVE ASSY	1
1.1.1.1.2	242-17-17-194	PIN STOP	1	3.1	250-25-00-090	SPROCKET SHAFT	1
1.1.1.2	250-23-26-000	SIDE LOCK PIN ASSY	1	3.2	250-25-00-091	MOTOR TO SHAFT COUPLING	1
1.1.1.2.2	242-17-18-196	PIN HANDLE	1	3.3	250-25-00-257	80 B8 SROCKET w/ 1 1/4" BORE	1
1.1.1.2.1	250-23-26-135	SIDE LOCK PIN	1	4	252-49-00-000	HYDRAULIC HOSE ASSY	2
1.1.1.3	R07826	5/8 FLAT WASHER	1	4.1	252-49-00-123	HYDRAULIC HOSE	1
1.1.1.4	R08027	7/8 x 1 3/8 COMP. SPRING	1	4.2	R20803	3/8 - 16 NPT SOLID MALE STEM	2
1.1.1.5	R07950	3/16 x 1 1/4 ROLL PIN	1	4.3	R21231	STEEL FERRULE - 1/4"	2
1.1.1.6	R07943	3/16 x 1 1/2 ROLL PIN	1	5	250-00-00-183	SPOOL	8
1.1.2	250-23-20-085	LH SPOOL HOLDER	1	6	250-00-00-089	SPOOL SLEEVE	4
1.1.3	250-23-20-086	SPOOL HOLDER BRACE	2	7	R07784	7/16 HEX NUT	4
1.2	250-23-00-081	TILT FRAME BASE	1	8	R08183	1/4" - 28 STRAIGHT GREASE FTG.	2
1.3	250-23-00-080	TILT FRAME GUSSET	1	9	R07803	3/8 LOCK WASHER	8
1.4	250-23-00-082	SUPPORT ARM GUSSET	2	10	R07783	3/8 HEX NUT	4
1.5	250-23-00-129	LIFT ARM	1	11	R02043	BUSHING 1/2 x 3/8	4
1.6	206-04-00-022	PIVOT TUBE	1	12	R21336	3/8 - 18 RESTRICTOR	1
1.7	250-23-00-083	REINFORCING BAR	2	13	R07804	7/16 LOCK WASHER	4
1.8	250-23-00-132	UPRIGHT SUPPORT	1	14	R07689	7/16 x 7 HEX BOLT	4
1.9	250-23-00-079	L.H. ARM SUPPORT	1	15	R07670	3/8 x 7/8 HEX BOLT	8
1.10	250-23-00-078	R.H. ARM SUPPORT	1	16	R22255	M&S HYDRAULIC MOTOR	1
1.11	250-23-00-084	RH SPOOL HOLDER	1	17	R21342	1/2" MALE PIONEER TIP	2

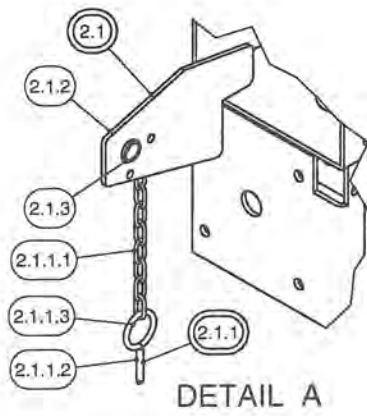
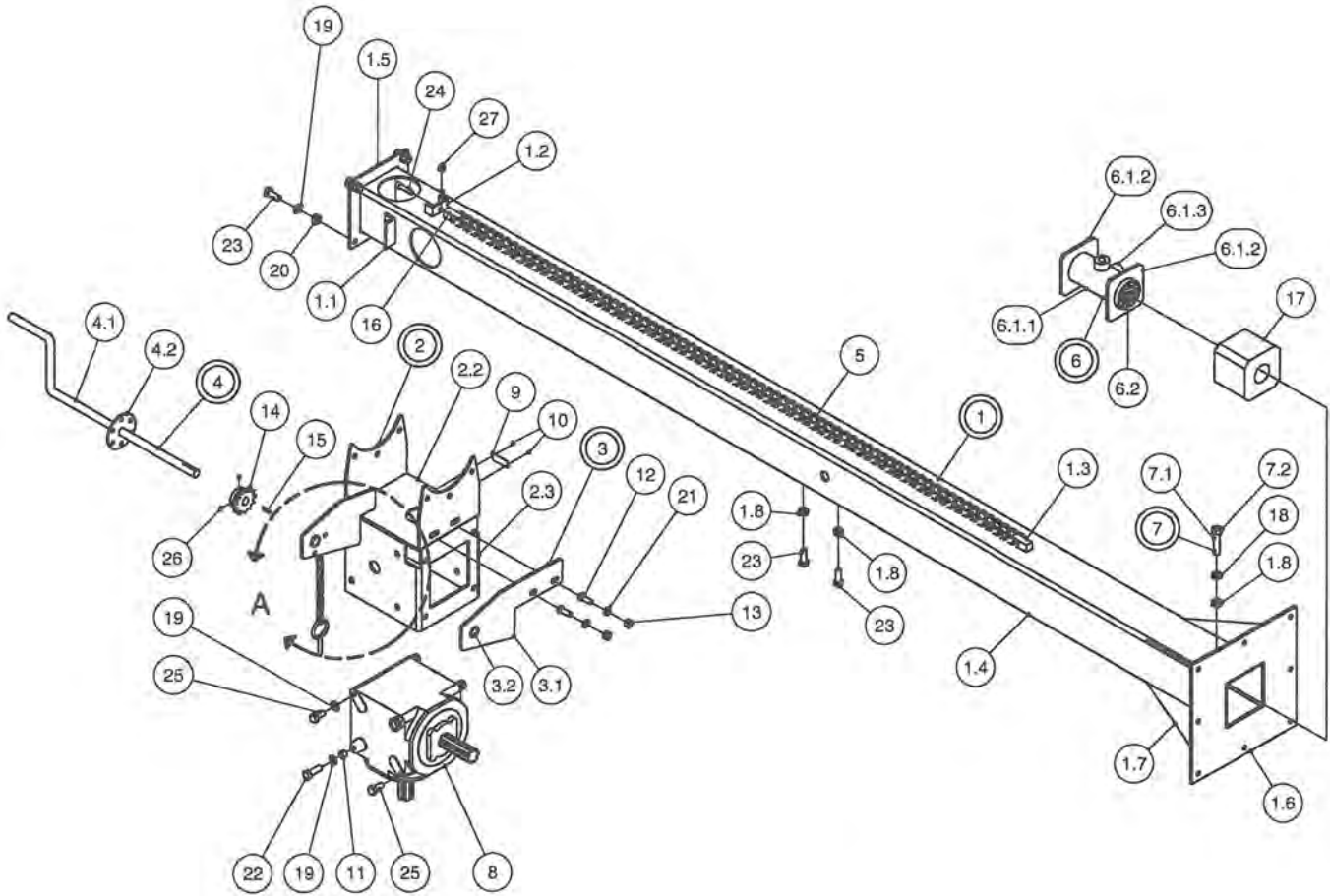
# FAN & HOUSING



## FAN & HOUSING

PARTS LIST			
ITEM	PART NUMBER	DESCRIPTION	QTY
1	250-03-11-000	IMPELLER ASSY	1
1.1	250-03-11-018	IMPELLER GUIDE RING	1
1.2	250-03-00-008	IMPELLER BACK PLATE	1
1.3	250-03-00-009	IMPELLER BLADE	4
2	250-00-00-184	DRIVE SHAFT - 8 FT MODEL	1
	252-00-00-185	DRIVE SHAFT - 10 FT MODEL	*
	254-00-00-186	DRIVE SHAFT - 12 FT MODEL	*
3	250-72-00-000	FAN HOUSING ASSY	1
3.1	250-72-00-163	HOUSING BAND	1
3.2	250-72-00-166	HOUSING DEFLECTOR PLATE	1
3.3	250-72-00-165	SIDE PLATE	1
3.4	250-72-00-167	INNER HOUSING RING	1
3.5	250-72-00-164	DISCHARGE TUBE	1
3.6	250-72-00-169	HOUSING CORNER GUSSET	2
3.7	250-72-00-162	LOWER FAN HOUSING PLATE	1
3.8	250-72-00-161	UPPER FAN HOUSING PLATE	1
4	250-04-00-000	COVER PLATE ASSY	1
4.1	250-04-00-011	COVER PLATE	1
4.2	250-04-00-015	CUTTER PLATE	1
4.3	250-04-00-010	INLET RING	1
4.4	250-04-03-000	FOOT ASSY	1
4.4.1	250-04-03-012	FOOT END	1
4.4.2	250-04-03-013	FOOT PLATE	1
4.5	250-04-00-173	FOOT GUSSET	2
5	250-73-00-000	CUTTER BLADE KIT	1
5.1	250-73-00-308	CUTTER BLADE	1
5.2	250-73-32-000	CUTTER BLADE BRACKET ASSY	1
5.2.1	250-73-32-172	CUTTER BLADE BRACKET	1
5.2.2	250-73-32-171	CUTTER BLADE RING	1
5.3	R07688	3/8 x 3/4 HEX BOLT	4
5.4	R07794	3/8 FLANGE NUT	4
6	250-75-00-000	KNUCKLE ASSY	1
6.1	R22067	1 3/4 ROUND HOLE YOKE	1
6.2	R20334	JOURNAL & BEARING KIT	1
6.3	R22027	1 3/8 - 6 TOOTH CL YOKE w/BOLT	1
6.3.1	R22027	1 3/8 - 6 TOOTH CL YOKE w/ BOLT	1
6.3.2	R07641	1/2 x 3 HEX BOLT	1
6.3.3	R08219	1/2" NYLOCK NUT	1
7	270-00-00-075	3/8 KEY - 50mm LONG	1
8	R07721	3/8 x 1 CARRIAGE BOLT	8
9	R07731	7/16 x 1 CARRIAGE BOLT	6
10	R07784	7/16 HEX NUT	6
11	R07891	7/16 2-WAY LOCK NUT	1
12	R07803	3/8 LOCK WASHER	8
13	R07783	3/8 HEX NUT	8
14	R07804	7/16 LOCK WASHER	6
15	R07634	7/16 x 4 HEX BOLT	1

# SHAFT TUBE

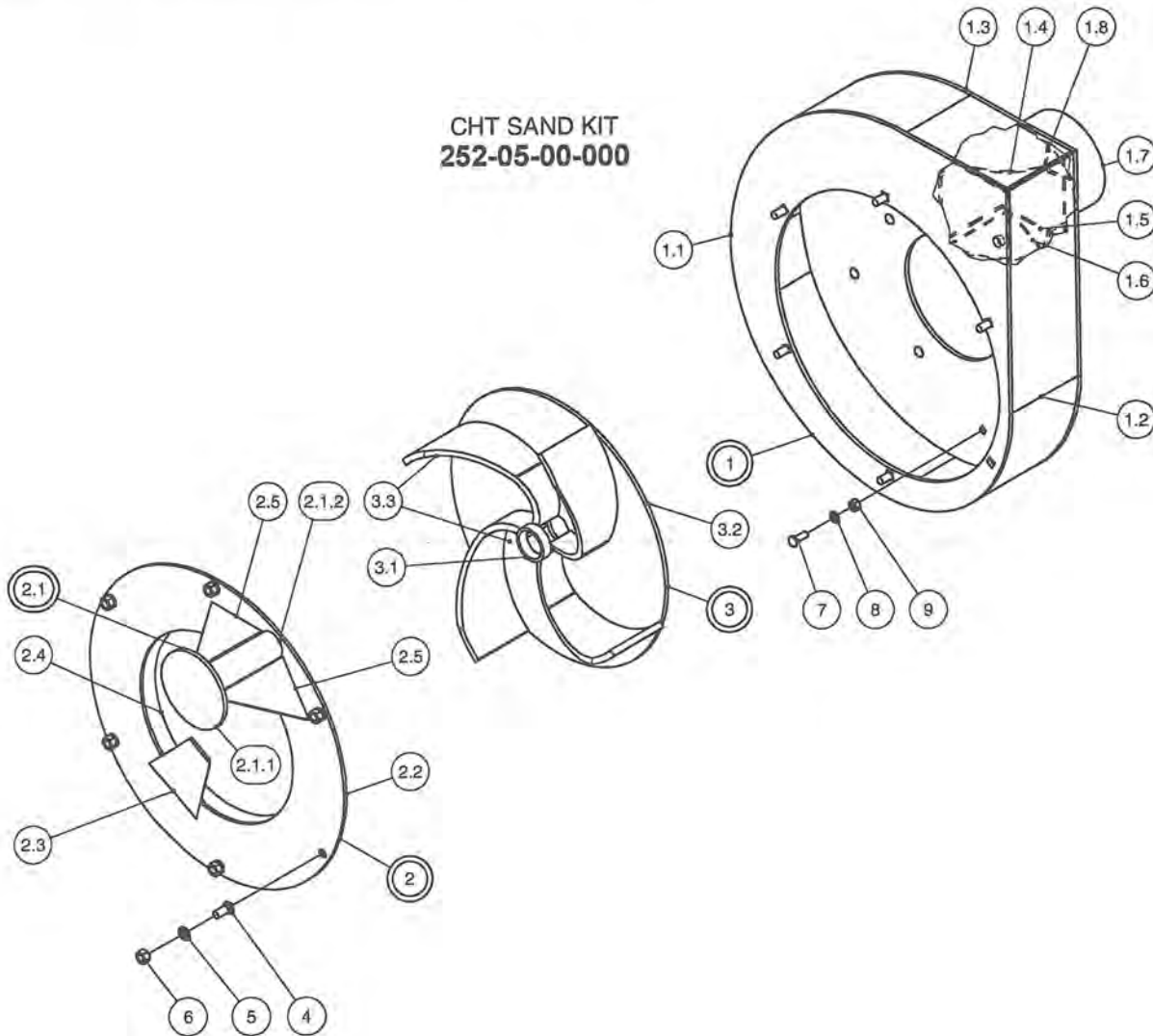


## SHAFT TUBE

PARTS LIST				PARTS LIST			
ITEM	PART NUMBER	DESCRIPTION	QTY	ITEM	PART NUMBER	DESCRIPTION	QTY
(1)	254-39-00-000	SHAFT TUBE ASSY - 12 FT MODEL	*		246-00-00-177	ROLLER CHAIN - 12 FT	*
(1)	252-38-00-000	SHAFT TUBE ASSY - 10 FT MODEL	*	6	250-76-00-000	MARINE BRG & HOLDER COMPLETE	1
1	250-05-00-000	SHAFT TUBE ASSY - 8 FT MODEL	1	6.1	250-76-34-000	MARINE BRG HOLDER ASSY	1
1.1	250-05-00-017	SPOOL HOLDER STOP	2	6.1.1	250-76-34-180	URETHANE BRG SLEEVE	1
1.2	242-11-00-061	TIGHTENER BRACKET	1	6.1.2	250-76-34-181	BRG SLEEVE HOLDER	2
1.3	242-11-00-059	CHAIN HOLD DOWN BRACKET	1	6.1.3	250-76-34-256	STABILIZER SLEEVE	2
1.4	250-05-00-014	SHAFT TUBE - 8 FT MODEL	1	6.2	R20280	URETHANE	1
	252-38-00-109	SHAFT TUBE - 10 FT MODEL	*	7	250-59-00-000	SET SCREW ASSY	1
	254-39-00-111	SHAFT TUBE - 12 FT MODEL	*	7.1	250-59-00-141	SS SET SCREW REDDI ROD	1
1.5	250-05-00-016	SHAFT TUBE FLANGE	1	7.2	R08235	1/2 S.S. HEX NUT	1
1.6	250-05-00-073	LOWER SHAFT TUBE FLANGE	1	8	R20670	COMER T276A 1:1.5 GEAR BOX	1
1.7	250-05-00-077	SHAFT TUBE GUSSET	4	9	R09071	SERIAL NUMBER PLATE	1
1.8	R08304	1/2 S.S. FLANGE NUT	3	10	R08152	6 x 1/4 PAN HD SOCKET SCREW	2
2	250-16-00-000	GEARBOX BRACKET ASSY	1	11	250-00-00-302	FLIP GUARD SPACER	2
2.1	250-16-18-000	UPPER CRANK BRACKET ASSY	1	12	R07732	7/16 x 1 1/4 CARRIAGE BOLT	2
2.1.1	250-18-00-000	LOCK PIN ASSY w/ CHAIN	1	13	R07784	7/16 HEX NUT	2
2.1.1.1	250-18-00-067	LOCK PIN CHAIN	1	14	R20613	A50B12 w/ 3/4" BORE SPRKT	1
2.1.1.2	250-18-00-071	LOCK PIN	1	15	250-00-00-124	3/16 KEY	1
2.1.1.3	250-00-00-354	1/4 X 1 1/2" RING	1	16	242-00-00-066	CHAIN TIGHTENER	1
2.1.2	250-16-18-065	SLEEVE HOLDER	1	17	R20233	1 7/8 SQUARE WOOD BRG	1
2.1.3	250-16-18-066	SLEEVE	1	18	R08046	1/2 - 13 JAM NUT	1
2.2	250-16-00-064	GEARBOX BRACKET COVER PLATE	1	19	R07805	1/2 LOCK WASHER	10
2.3	250-16-00-063	GEARBOX BRACKET	1	20	R07785	1/2 HEX NUT	4
3	250-89-00-000	CRANK BRACKET ASSY	1	21	R07804	7/16 LOCK WASHER	2
3.1	250-13-00-068	CRANK BRACKET	1	22	R07638	1/2 x 1 1/2 HEX BOLT	2
3.2	250-16-18-066	SLEEVE	1	23	R07674	1/2 x 1 1/4 HEX BOLT	6
4	250-17-00-000	CRANK ASSY	1	24	R07868	3/8 x 1 1/2 SOC. HD CAP SCREW	1
4.1	250-17-00-069	CRANK	1	25	R07637	1/2 x 1 HEX BOLT	6
4.2	250-17-00-070	CRANK LOCK PLATE	1	26	R07910	1/4 x 1/4" SET SCREW	2
5	242-00-00-065	ROLLER CHAIN - 8 FT	1	27	R07797	3/8" UNF HEX NUT	1
	244-00-00-169	ROLLER CHAIN - 10 FT	*				

# CHT SAND KIT

PARTS LIST				PARTS LIST			
ITEM	PART NUMBER	DESCRIPTION	QTY	ITEM	PART NUMBER	DESCRIPTION	QTY
1	252-06-00-000	CHT FAN HOUSING ASSY	1	2.3	250-04-00-015	CUTTER PLATE	1
1.1	252-06-00-316	CHT LOWER FAN HOUSING PLATE	1	2.4	252-08-00-325	CHT INLET RING	1
1.2	252-06-00-317	CHT HOUSING BAND	1	2.5	250-04-00-173	FOOT GUSSET	2
1.3	252-06-00-315	CHT UPPER FAN HOUSING PLATE	1	3	252-07-00-000	CHT IMPELLER ASSY	1
1.4	252-06-00-319	CHT HOUSING DEFLECTOR PLATE	1	3.1	250-03-11-018	IMPELLER GUIDE RING	1
1.5	252-06-00-318	CHT SIDE PLATE	1	3.2	252-07-00-322	CHT IMPELLER BACK PLATE	1
1.6	252-06-00-321	CHT INNER HOUSING RING	1	3.3	252-07-00-323	CHT IMPELLER BLADE	4
1.7	250-72-00-164	DISCHARGE TUBE	1	4	R07731	7/16 x 1 CARRIAGE BOLT	6
1.8	252-06-00-320	CHT CORNER GUSSET	2	5	R07804	7/16 LOCK WASHER	6
2	252-08-00-000	COVER PLATE ASSY	1	6	R07784	7/16 HEX NUT	6
2.1	250-04-03-000	FOOT ASSY	1	7	R07721	3/8 x 1 CARRIAGE BOLT	8
2.1.1	250-04-03-012	FOOT END	1	8	R07803	3/8 LOCK WASHER	8
2.1.2	250-04-03-013	FOOT PLATE	1	9	R07783	3/8 HEX NUT	8
2.2	252-08-00-324	CHT COVER PLATE	1				

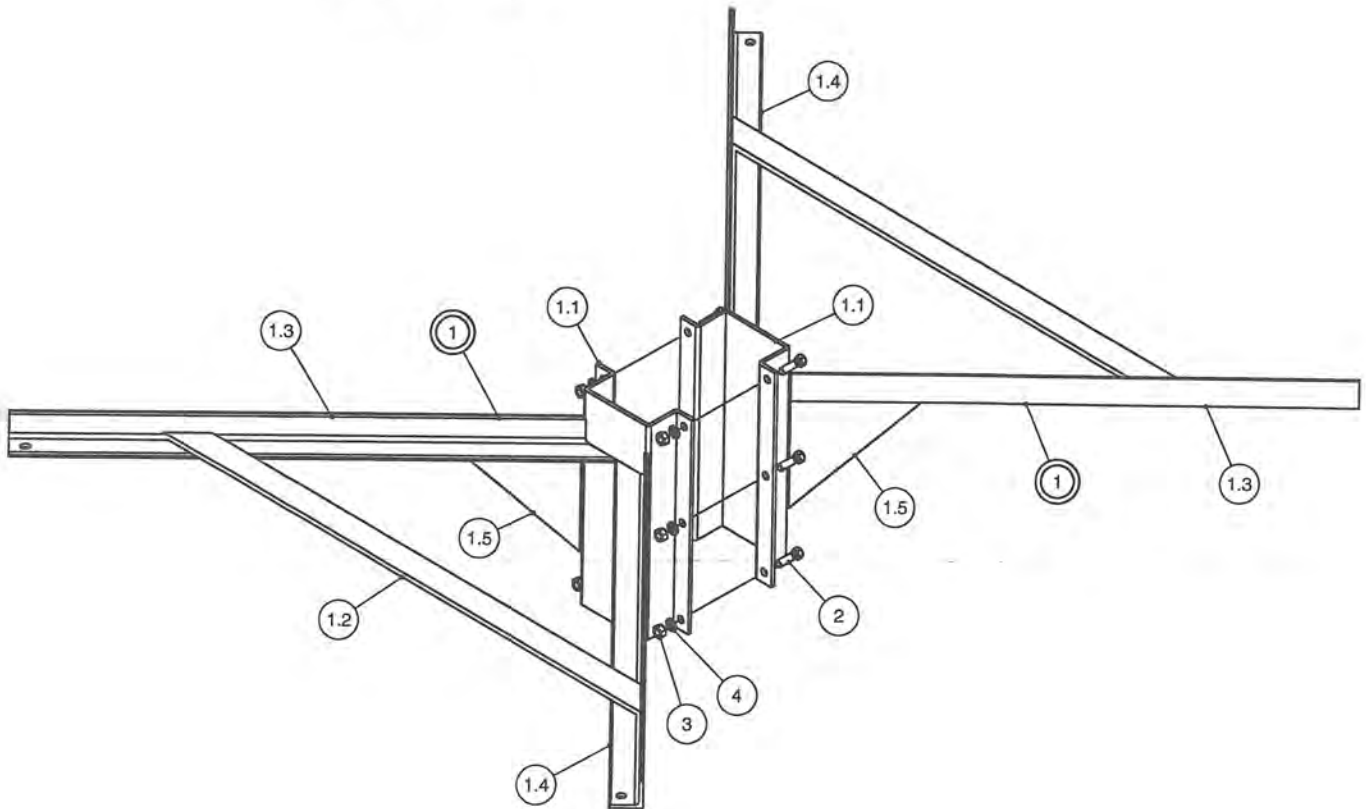




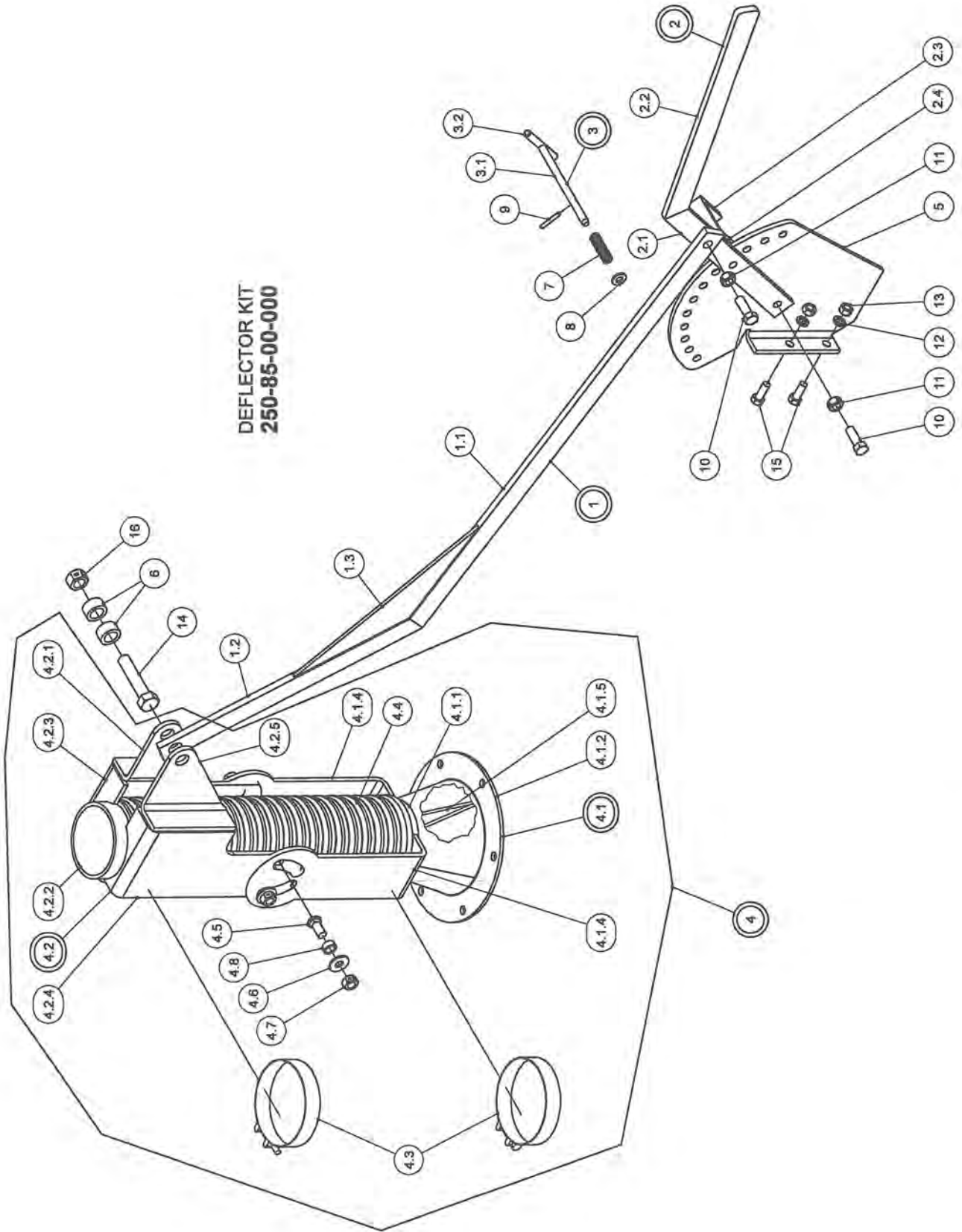
## FLOOR X FRAME

PARTS LIST			
ITEM	PART NUMBER	DESCRIPTION	QTY
1	250-91-55-000	FLOOR FRAME ASSY	2
1.1	250-88-48-250	SHAFT TUBE CLAMP BRACKET	1
1.2	250-91-55-262	FLOOR BRACKET BRACE	1
1.3	250-91-55-260	FLOOR BRACKET LEG LH	1
1.4	250-91-55-261	FLOOR BRACKET LEG RH	1
1.5	250-91-55-263	GUSSET	2
2	R07629	7/16 x 1 1/2 HEX BOLT	6
3	R07784	7/16 HEX NUT	6
4	R07804	7/16 LOCK WASHER	6

**FLOOR X-FRAME  
250-91-00-000**



# DEFLECTOR KIT

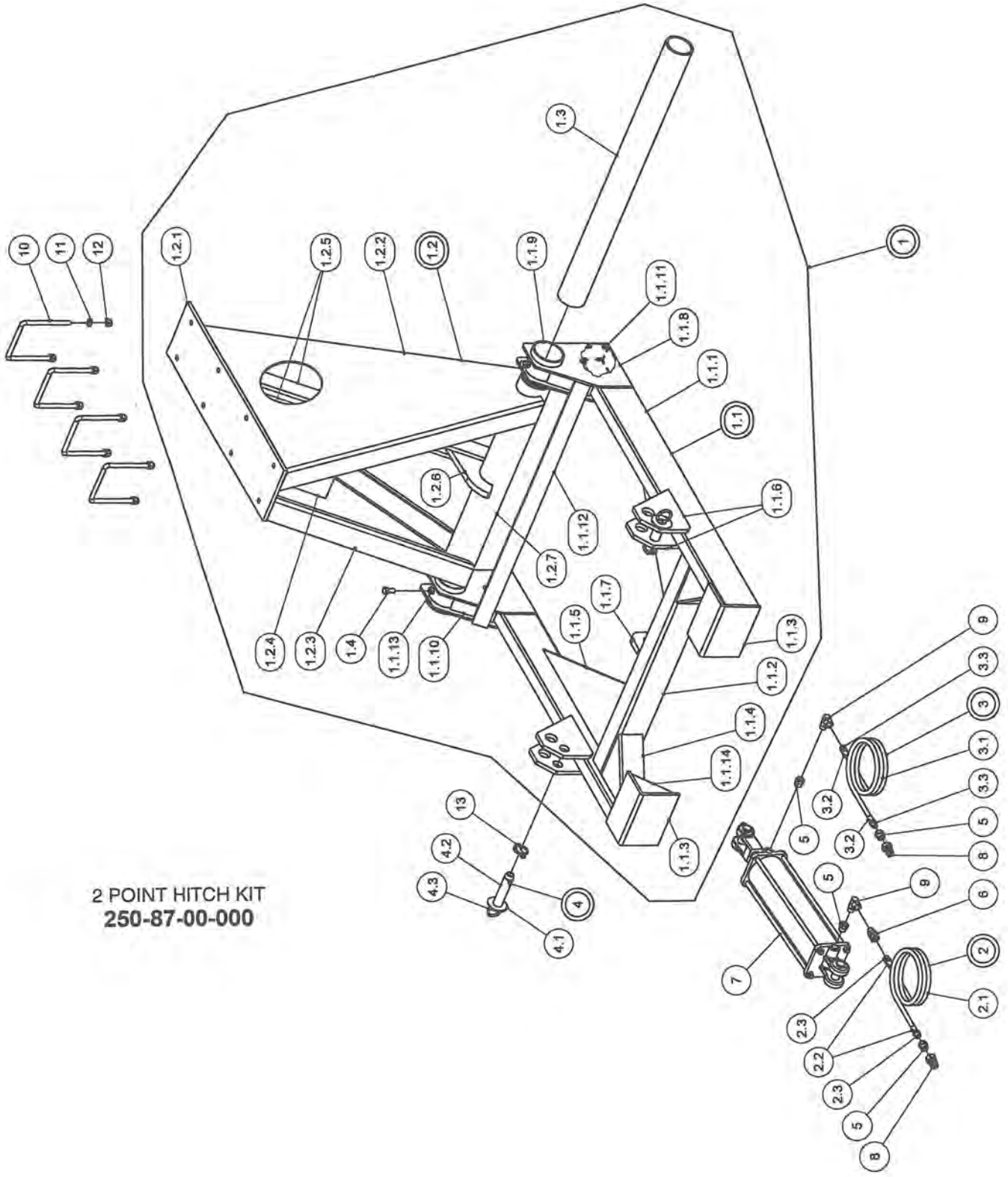


**DEFLECTOR KIT  
250-85-00-000**

## DEFLECTOR KIT

PARTS LIST			
ITEM	PART NUMBER	DESCRIPTION	QTY
1	250-85-40-000	DEFLECTOR ARM ASSY	1
1.1	250-85-40-203	MIDDLE DEFLECTOR BAR	1
1.2	250-85-40-202	BOTTOM DEFLECTOR BAR	1
1.3	250-85-40-205	DEFLECTOR ARM GUSSET	1
2	250-85-41-000	HANDLE ASSY	1
2.1	250-85-41-207	LOWER HANDLE	1
2.2	250-84-41-206	UPPER HANDLE	1
2.3	250-85-41-208	STABILIZER PIN BRACKET	1
2.4	250-85-41-209	SPRING STOP	1
3	250-85-42-000	STABILIZER PIN ASSY	1
3.1	250-85-42-212	PIN STEM	1
3.2	250-85-42-211	PIN HANDLE	1
4	250-85-01-000	DEFLECTOR KIT-LESS LEVER & HANDLE	1
4.1	250-85-58-000	FLANGE & CONE ASSY	1
4.1.1	242-58-48-289	CONE EXTENSION PIPE	1
4.1.2	250-93-00-288	FLANGE	1
4.1.3	270-63-30-193	CONE HALF	2
4.1.4	242-58-48-288	OUTER PIVOT BRACKET	2
4.1.5	250-85-38-198	CONE RIBS	4
4.2	250-85-59-000	DEFLECTOR DISCHARGE ASSY	1
4.2.1	250-85-59-292	RH BRACKET	1
4.2.2	242-58-48-292	EXTENSION PIPE	1
4.2.3	242-58-49-290	RH INNER PIVOT BRACKET	1
4.2.4	242-58-49-291	LH INNER PIVOT BRACKET	1
4.2.5	250-85-59-293	LH BRACKET	1
4.3	R02481	4" CLAMP	2
4.4	242-58-00-296	FLEX HOSE	1
4.5	R07731	7/16 x 1 CARRIAGE BOLT	4
4.6	R07824	7/16 FLAT WASHER	4
4.7	R07891	7/16 2-WAY LOCK NUT	4
4.8	244-05-00-281	SPACER PIPE	4
5	250-85-00-213	ADJUSTING PLATE	1
6	250-00-00-289	SPACER	2
7	R08024	1/2 x 2 1/4 COMP. SPRING	1
8	R07823	3/8 FLAT WASHER	1
9	R07977	3/16 x 1 1/4 ROLL PIN	1
10	R07671	7/16 x 1 1/4 HEX BOLT	2
11	R07891	7/16 2-WAY LOCK NUT	2
12	R07803	3/8 LOCK WASHER	2
13	R07783	3/8 HEX NUT	2
14	R07649	5/8 x 3 HEX BOLT	1
15	R07619	3/8 x 1 HEX BOLT	2
16	R07887	5/8 HEX NUT	1

# 2 POINT HITCH KIT



2 POINT HITCH KIT  
250-87-00-000

## 2 POINT HITCH KIT

PARTS LIST			
ITEM	PART NUMBER	DESCRIPTION	QTY
1	250-87-60-000	2 PT HITCH LESS HYD & "U" BOLTS	1
1.1	250-87-44-000	2PT HITCH MAIN FRAME ASSY	1
1.1.1	250-87-44-215	LIFT ARM	2
1.1.2	250-87-44-216	CROSS BRACE	1
1.1.3	250-87-44-217	END CAP	2
1.1.4	250-87-44-218	ANGLE GUSSET	2
1.1.5	250-87-44-219	CROSS BRACE GUSSET	2
1.1.6	250-87-44-220	LIFT BRACKETS	4
1.1.7	250-87-44-221	CYLINDER LUG	1
1.1.8	250-87-44-222	TILT FRAME BRACKET	4
1.1.9	250-87-44-223	FRONT FRAME BRACKET SLEEVE	2
1.1.10	250-87-44-224	FRONT FILLER PLATE	2
1.1.11	250-87-44-225	REAR FILLER PLATE	2
1.1.12	250-87-44-226	CROSS STRAP	1
1.1.13	R07785	1/2 HEX NUT	2
1.1.14	250-87-44-335	GUSSET	2
1.2	250-87-45-000	TILT FRAME ASSY	1
1.2.1	250-87-45-235	TOP SUPPORT PLATE	1
1.2.2	250-87-45-228	LH SUPPORT ARM	1
1.2.3	250-87-45-229	RH SUPPORT ARM	1
1.2.4	250-87-45-233	TILT FRAME GUSSET	1
1.2.5	250-87-45-232	REINFORCING BARS	2
1.2.6	250-87-45-231	CYLINDER AXLE BRACKET	1
1.2.7	250-87-45-230	SUPPORT ARM SLEEVE	1
1.3	250-87-00-227	INNER AXLE TUBE	1
1.4	R07637	1/2 x 1 HEX BOLT	2
2	250-87-51-000	HYDRAULIC HOSE ASSY	1
2.1	250-87-51-258	HYDRAULIC HOSE	1
2.2	R21231	STEEL FERRULE - 1/4"	2
2.3	R20803	3/8 - 16 NPT SOLID MALE STEM	2
3	250-87-52-000	HYDRAULIC HOSE ASSY	1
3.1	250-87-52-259	HYDRAULIC HOSE	1
3.2	R21231	STEEL FERRULE - 1/4"	2
3.3	R20803	3/8 - 16 NPT SOLID MALE STEM	2
4	250-87-56-000	DRAW PIN ASSY	2
4.1	R07828	1" FLAT WASHER	1
4.2	250-87-56-264	DRAW PIN	1
4.3	250-00-00-354	1/4 X 1 1/2" RING	1
5	R02043	BUSHING 1/2 x 3/8	4
6	R21336	3/8 - 18 RESTRICTOR	1
7	R20724	4 x 14 HYDRAULIC CYLINDER	1
8	R21342	1/2" MALE PIONEER TIP	2
9	R21366	3/8" x 90° NPT STREET ELBOW	2
10	R08174	"U" BOLT 1/2 - 13 UNC x 5	4
11	R07805	1/2" LOCK WASHER	8
12	R07785	1/2-13 UNC HEX NUT	8
13	R08040	2 - 18 LYNCH PIN	2

# K-31 PTO

PARTS LIST				
ITEM	MFG #	PART NUMBER	DESCRIPTION	QTY
1	572060351	R21651	1 3/8" 6T QD YOKE - 540 RPM	1
	572063751	R21652	1 3/8" 21T QD YOKE - 1000 RPM	*
2	41204	R21653	CROSS JOURNAL ASSY	2
3	3380200000	R21654	CIRCLIP	8
4	348004000	R21655	GREASE NIPPLE	2
5	204066851	R21656	OUTER TUBE YOKE	1
6	341-042000	R21657	FLEXIBLE PIN	1
7	225211496	R21658	CARDAN TUBE	1
8	225161496	R21659	CARDAN TUBE	1
9	341043000	R21660	FLEXIBLE TUBE	1
10	204066852	R21661	INNER TUBE YOKE	1
11	606604001	R21662	TORQUE LIM S86/6	1
12	255060005	R21663	O. BEARING 6-7	1
13	517050071	R21664	O. CONE SETS N5-6-7	1
14	236831436	R21665	SAFETY TUBE	1
15	236821436	R21666	SAFETY TUBE	1
16	517050061	R21667	I. CONE SETS N5-6-7	1
17	255060006	R21688	I. BEARING 6-7	1
18	403000001	R21669	COMPLETE PUSH BUTTON	1
19	240080061	R21670	HUB	1
20	213060020	R21671	YOKE	1
21	348012000	R21672	GREASE NIPPLE	1
22	362003000	R21539	5/16 BALL	24
23	513080336	R21674	HUB c/w QD	1
24	401000001	R21451	COMPLETE PUSH BUTTON	1
25		R21603	M10-1.5 x 60 HEX BOLT	1
26		R21605	M10-1.5 NYLON LOCK NUT	1
27	5N06166NN	R21679	SAFETY GUARD	1
28		R21523	"SHIELD MISSING" DECAL	1
29		R21521	"DANGER ROTATING DRIVELINE" DECAL	1
30		R21738	SHIELD TIE CHAIN	2

