

Date Purchased _____ Machine Serial No. _____

Size of Pump _____ Options _____

The key number system in this parts book is arranged as follows:

- ◎ - Key numbers with two circles denotes main assemblies.
- - Key numbers with one circle are individual parts

Please order parts by number



K-31

K-31 VERTICAL PIT PUMP – 8ft ▪ 250-00-00-000

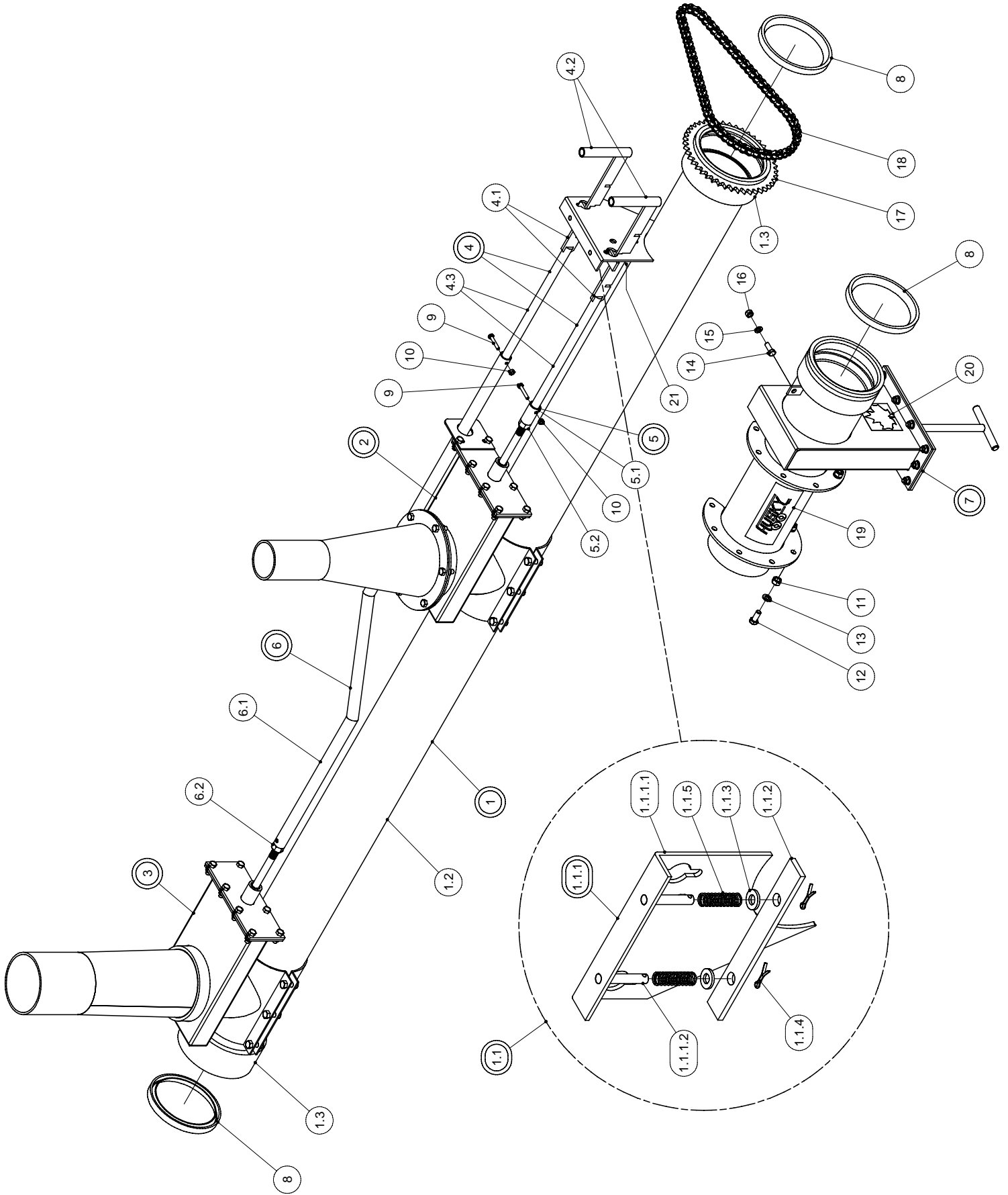
K-31 VERTICAL PIT PUMP – 10ft ▪ 252-00-00-000

K-31 VERTICAL PIT PUMP – 12ft ▪ 254-00-00-000

OPERATING INSTRUCTIONS:

1. Do not leave pump in manure pit – remove pump from pit – wash off and coat with old oil or diesel fuel.
2. Do not over rev. tractor while pumping as discharge spout will lift into air. Always tie down spout.
3. The (Polyurethane) marine bearing at the bottom of the pump is lubricated with manure or water. If the level of the liquid is below the bearing and you are running for long periods put a water hose in the top of the standpipe.
4. If your pump is equipped with the optional bearing box, then it must be greased every day (min 10 shots) Every 6 months knuckle assy must be greased.
5. Always fill all hydraulic components with oil before installing in pit.
6. **EXTREME DANGER** – Never enter a dirty manure spreader or storage tank – one breath of hydrogen sulphide gas is enough to kill. Have a ladder in your pit, so that if by accident you should fall in, you can get out.

K-31 STANDPIPE ASSY

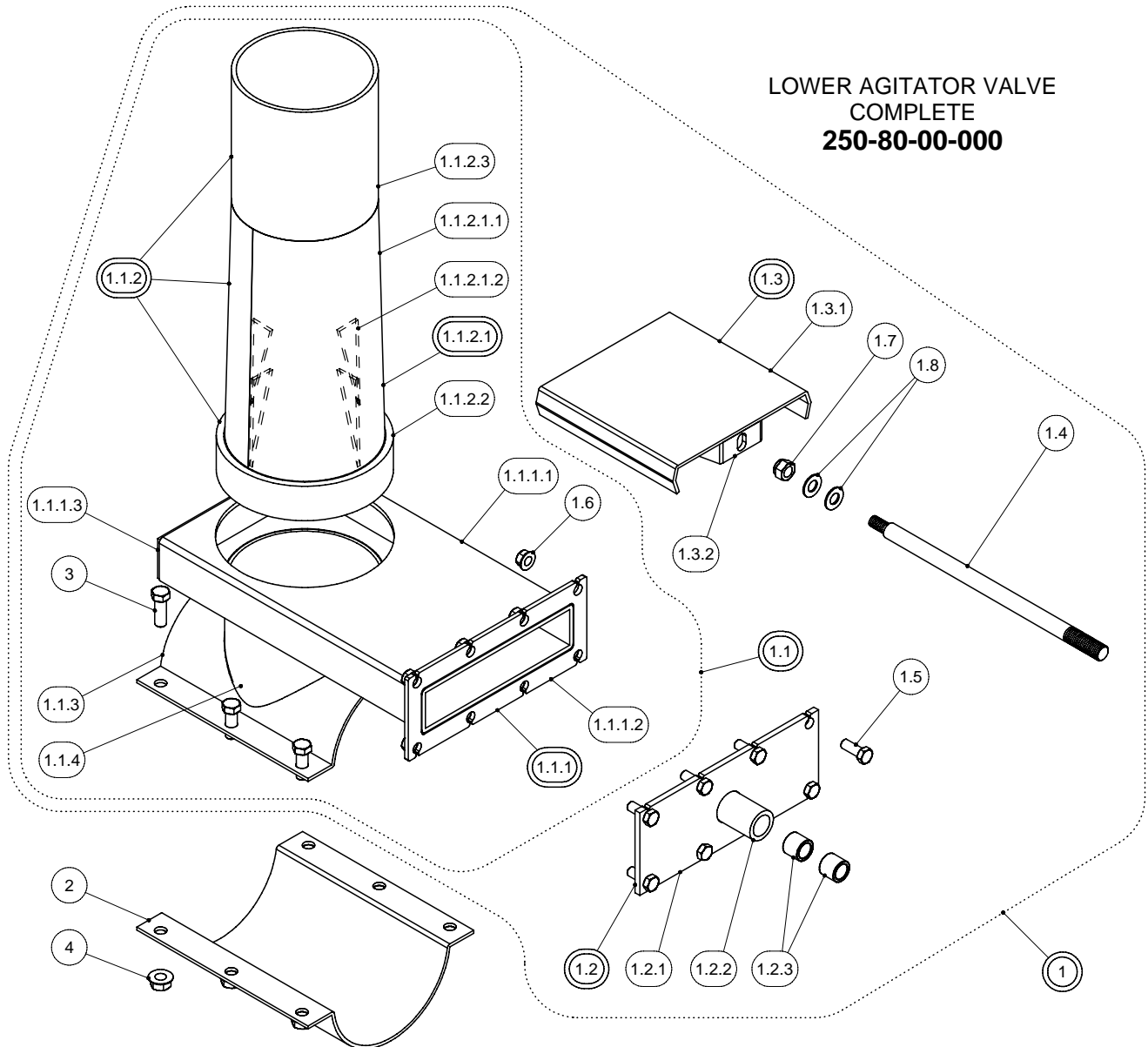


K-31 STANDPIPE ASSY

PARTS LIST			
ITEM	PART NUMBER	DESCRIPTION	QTY
1	250-67-00-000	STANDPIPE ASSY - 8 FT PUMP	1
	252-68-00-000	STANDPIPE ASSY - 10 FT PUMP	*
	254-69-00-000	STANDPIPE ASSY - 12 FT PUMP	*
1.1	250-67-34-000	CONTROL PLATE KIT	1
1.1.1	250-67-33-000	CONTROL PLATE ASSY	1
1.1.1.1	250-67-33-000	CONTROL PLATE	1
1.1.1.2	250-67-33-176	CONTROL PLATE PIN	2
1.1.2	250-00-00-175	SPRING PLATE	1
1.1.3	R07823	3/8 FLAT WASHER	2
1.1.4	R08021	1/8 x 1 S.S. COTTER PIN	2
1.1.5	R08024	1/2 x 2 1/4 COMP. SPRING	2
1.2	250-67-00-152	STANDPIPE - 8 FT	1
	252-68-00-153	STANDPIPE - 10 FT	*
	254-69-00-154	STANDPIPE - 12 FT	*
1.3	250-67-00-168	GASKET SLEEVE	2
2	250-86-00-000	UPPER AGITATOR VALVE & TEE COMPLETE	1
3	250-80-00-000	LOWER AGITATOR VALVE COMPLETE	1
4	250-22-00-000	CONTROL ROD ASSY	2
4.1	250-21-00-076	LEVER PLATE	1
4.2	250-21-00-072	LEVER HANDLE	1
4.3	250-22-00-046	UPPER CONTROL ROD	1
5	250-19-00-000	CONTROL ROD ATTACHMENT ASSY	1
5.1	250-19-00-045	UPPER CONTROL ROD ATTACHMENT	1
5.2	R07786	5/8 HEX NUT	1
(6)	254-43-00-000	LOWER CONTROL ROD ASSY - 12 FT PUMP	*
(6)	252-42-00-000	LOWER CONTROL ROD ASSY - 10 FT PUMP	*
6	250-20-00-000	LOWER CONTROL ROD ASSY - 8 FT PUMP	1
6.1	250-20-00-075	LOWER CONTROL - 8 FT PUMP	1
	252-42-00-110	LOWER CONTROL - 10 FT PUMP	*
	254-43-00-012	LOWER CONTROL - 12 FT PUMP	*
6.2	R07786	5/8 HEX NUT	1
7	250-96-00-000	UPPER VALVE & EXTENSION PIPE ASSY	1
8	R02366	6" RUBBER GASKET	3
9	R07603	1/4 x 1 1/2 UNC HEX BOLT	2
10	R08048	1/4-20 UNC 2-WAY LOCK NUT	2
11	R07784	7/16-14 UNC HEX NUT	6
12	R07628	7/16 x 1 UNC HEX BOLT	6
13	R07804	7/16" LOCK WASHER	6
14	R07619	3/8 x 1 UNC HEX BOLT	1
15	R07803	3/8" LOCK WASHER	1
16	R07783	3/8-16 UNC HEX NUT	1
17	R20612	50A44 SPROCKET	1
18	250-00-00-104	#50 ROLLER CHAIN	1
19	R09671	"HUSKY" DECAL	1
20	R09509	"MADE IN CANADA" DECAL - LARGE	1
21	250-12-00-044	CONTROL PLATE GUSSET	1

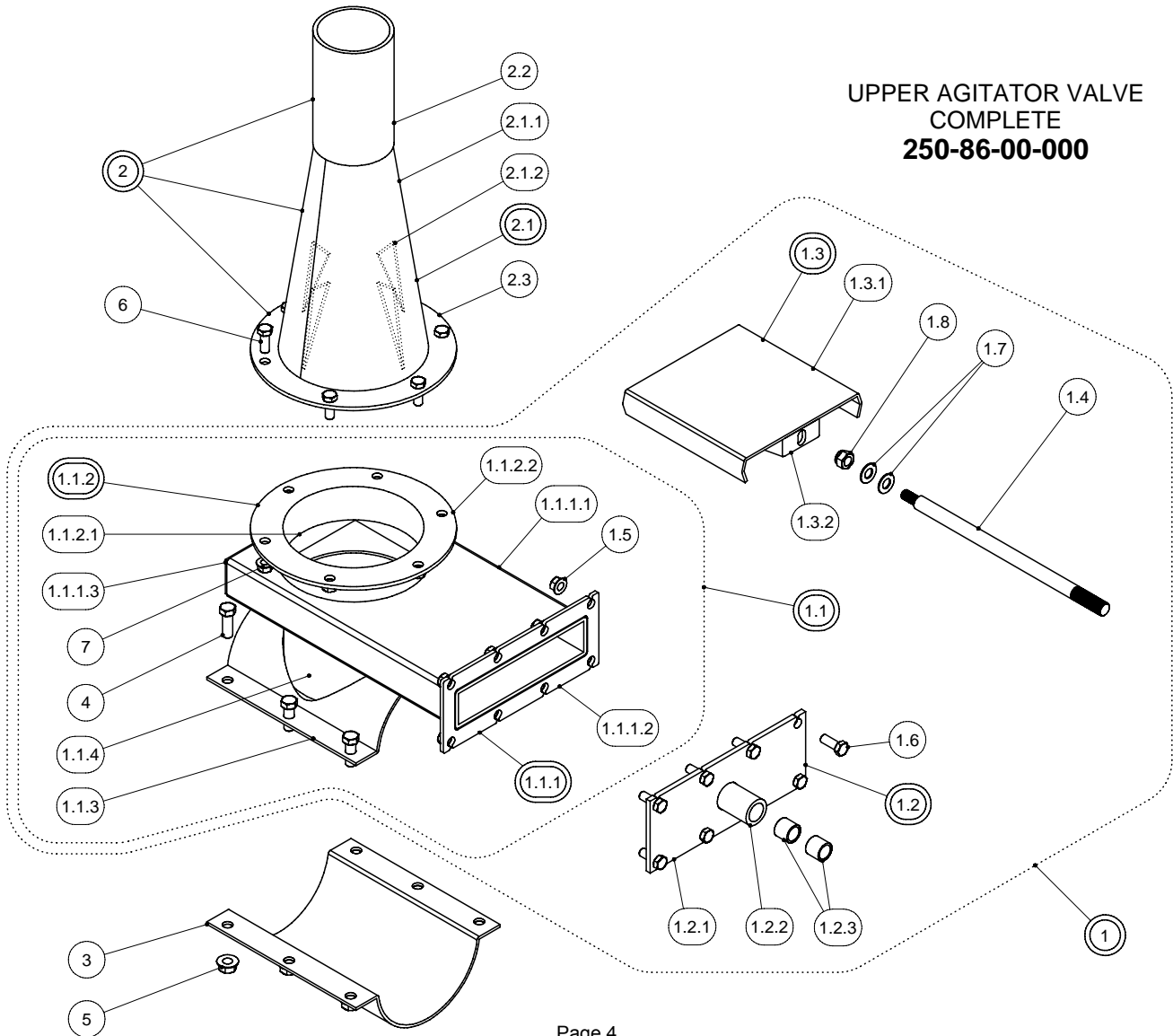
LOWER AGITATOR VALVE

PARTS LIST				PARTS LIST			
ITEM	PART NUMBER	DESCRIPTION	QTY	ITEM	PART NUMBER	DESCRIPTION	QTY
1	250-80-01-000	LOWER AGITATOR VALVE & TEE ASSY	1	1.2.1	250-79-36-188	VALVE OUTER FLANGE	1
1.1	250-79-00-000	LOWER AGITATOR VALVE ASSY	1	1.2.2	250-08-06-030	VALVE BUSHING HOLDER	1
1.1.1	250-79-35-000	AGITATOR VALVE HOUSING ASSY	1	1.2.3	R21167	7/8 OD x 5/8 ID x 3/4 LONG BUSHING	2
1.1.1.1	250-79-35-189	VALVE HOUSING	1	1.3	275-17-00-000	VALVE GATE ASSY	1
1.1.1.2	275-01-02-012	VALVE FLANGE	1	1.3.1	275-17-00-080	VALVE GATE	1
1.1.1.3	275-01-02-062	VALVE END CAP	1	1.3.2	275-17-00-081	VALVE GATE BRACKET	1
1.1.2	250-79-53-000	LOWER AGIT. CONE & MOUNT ASSY	1	1.4	250-00-00-023	VALVE SHAFT	1
1.1.2.1	250-09-08-000	LOWER AGITATOR CONE ASSY	1	1.5	R07619	3/8 x 1 UNC HEX BOLT	8
1.1.2.1.1	250-09-08-036	LOWER CONE HALF	2	1.6	R07794	3/8-16 UNC FLANGE NUT	8
1.1.2.1.2	250-09-08-037	CONE RIBS	4	1.7	R08229	7/16 UNC SS NYLOCK NUT	1
1.1.2.2	250-09-08-031	CONE MOUNT	1	1.8	R08221	7/16" SS FLAT WASHER	2
1.1.2.3	250-79-53-330	LOWER CONE EXTENSION TUBE	1	2	250-00-00-151	CLAMP ON BRACKET	1
1.1.3	250-66-00-150	CONE CLAMP ON BRACKET	1	3	R07671	7/16 x 1 1/4 UNC HEX BOLT	6
1.1.4	250-09-07-035	TEE SIDE	1	4	R07879	7/16-14 UNC FLANGE NUT	6
1.2	250-79-36-000	OUTER FLANGE ASSY w/ BUSHINGS	1				



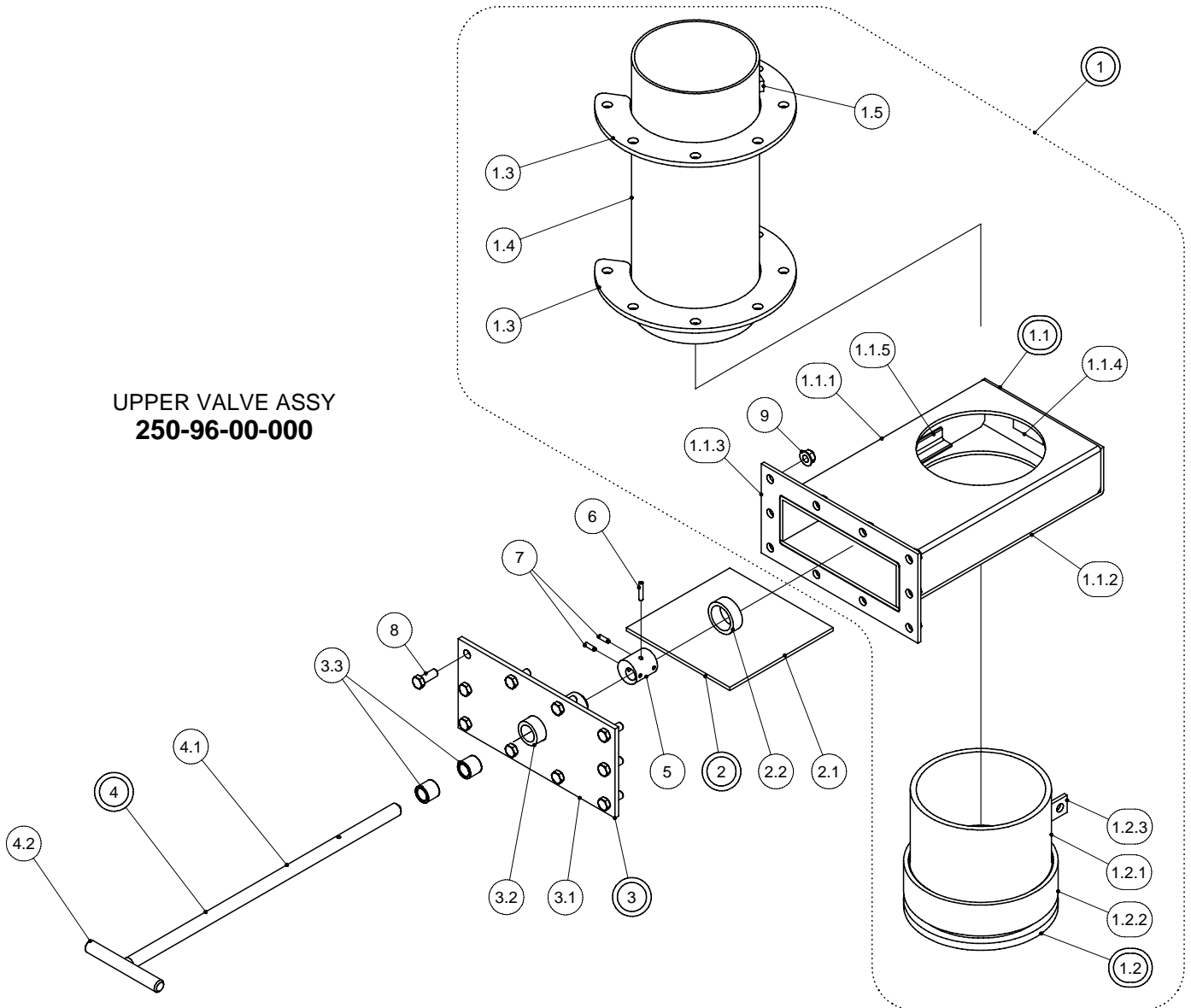
UPPER AGITATOR VALVE COMPLETE

PARTS LIST				PARTS LIST			
ITEM	PART NUMBER	DESCRIPTION	QTY	ITEM	PART NUMBER	DESCRIPTION	QTY
1	250-86-01-000	UPPER AGITATOR VALVE ASSY	1	1.3.2	275-17-00-081	VALVE GATE BRACKET	1
1.1	250-90-00-000	UPPER AGITATOR VALVE ASSY	1	1.4	250-00-00-023	VALVE SHAFT	1
1.1.1	250-79-35-000	AGITATOR VALVE HOUSING ASSY	1	1.5	R07794	3/8-16 UNC FLANGE NUT	8
1.1.1.1	250-79-35-189	VALVE HOUSING	1	1.6	R07619	3/8 x 1 UNC HEX BOLT	8
1.1.1.2	275-01-02-012	VALVE FLANGE	1	1.7	R08221	7/16" SS FLAT WASHER	2
1.1.1.3	275-01-02-062	VALVE END CAP	1	1.8	R08229	7/16 UNC SS NYLOCK NUT	1
1.1.2	250-90-57-000	UPPER MOUNT & VALVE ASSY	1	2	250-93-00-000	UPPER CONE & FLANGE ASSY	1
1.1.2.1	250-09-08-031	CONE MOUNT	1	2.1	250-86-43-000	UPPER CONE & FLANGE ASSY	1
1.1.2.2	250-93-00-288	FLANGE	1	2.1.1	250-86-43-214	UPPER CONE HALF	2
1.1.3	250-66-00-150	CONE CLAMP ON BRACKET	1	2.1.2	250-09-08-037	CONE RIBS	4
1.1.4	250-09-07-035	TEE SIDE	1	2.2	250-93-00-331	UPPER CONE EXTENSION TUBE	1
1.2	250-79-36-000	OUTER FLANGE ASSY w/ BUSHINGS	1	2.3	250-93-00-288	FLANGE	1
1.2.1	250-79-36-188	VALVE OUTER FLANGE	1	3	250-00-00-151	CLAMP ON BRACKET	1
1.2.2	250-08-06-030	VALVE BUSHING HOLDER	1	4	R07671	7/16 x 1 1/4 UNC HEX BOLT	6
1.2.3	R21167	7/8 OD x 5/8 ID x 3/4 LONG BUSHING	2	5	R07879	7/16-14 UNC FLANGE NUT	6
1.3	275-17-00-000	VALVE GATE ASSY	1	6	R07619	3/8 x 1 UNC HEX BOLT	6
1.3.1	275-17-00-080	VALVE GATE	1	7	R07794	3/8-16 UNC FLANGE NUT	6



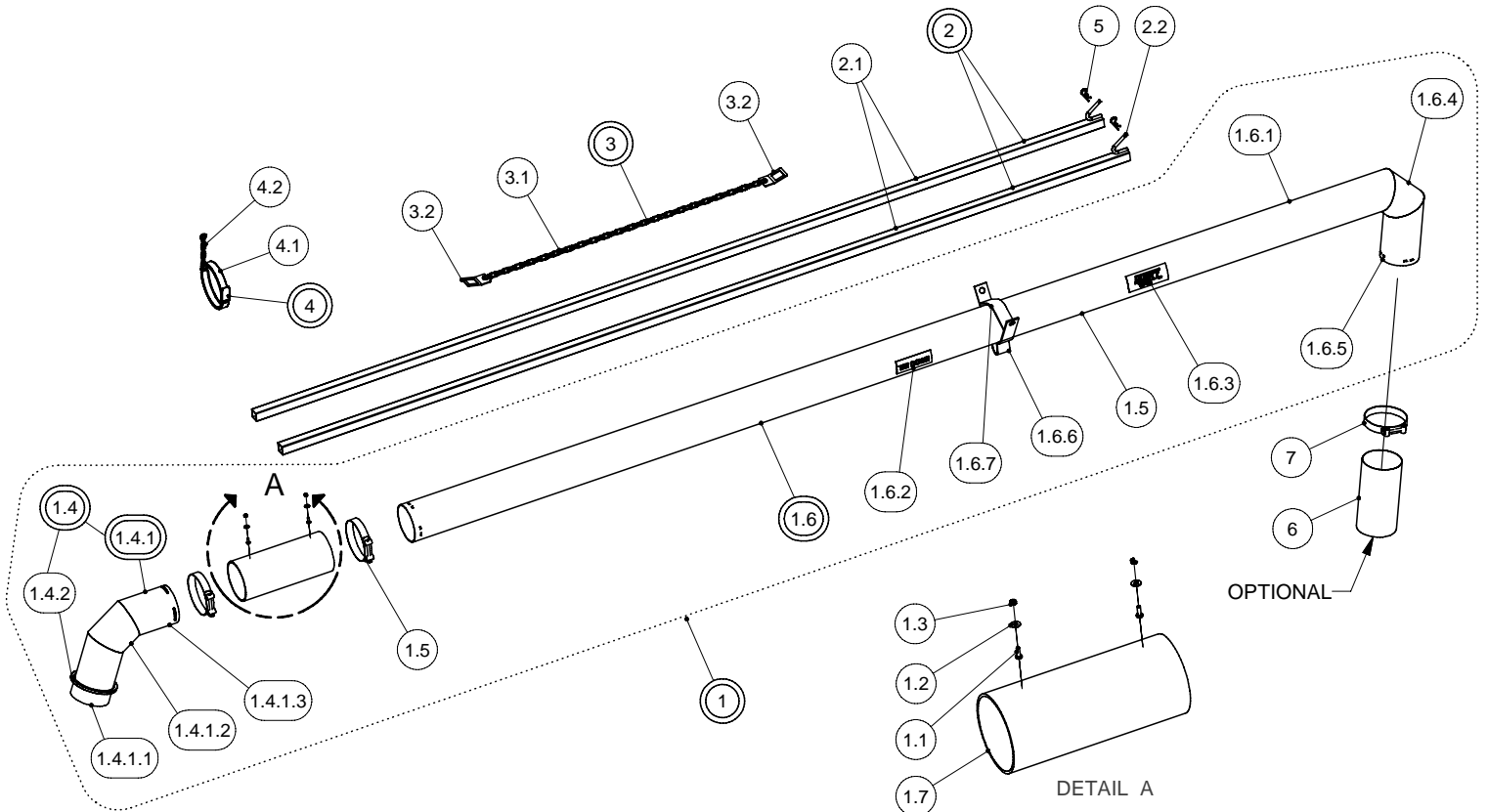
UPPER VALVE ASSY

PARTS LIST				PARTS LIST			
ITEM	PART NUMBER	DESCRIPTION	QTY	ITEM	PART NUMBER	DESCRIPTION	QTY
1	250-96-02-000	UPPER VALVE & EXTENSION PIPE ASSY	1	2.1	250-14-13-052	UPPER VALVE GATE	1
1.1	250-14-12-000	UPPER VALVE HOUSING ASSY	1	2.2	250-14-13-053	CAM HOLDER	1
1.1.1	250-14-12-047	UPPER VALVE BOTTOM PLATE	1	3	250-14-11-000	FLANGE ASSY	1
1.1.2	250-14-12-048	UPPER VALVE COVER PLATE	1	3.1	250-14-14-054	UPPER VALVE COVER PLATE	1
1.1.3	250-14-12-049	UPPER VALVE FLANGE	1	3.2	250-14-14-055	VALVE BEARING SLEEVE	1
1.1.4	250-14-12-050	HOLD DOWN BAR	1	3.3	R21167	7/8 OD x 5/8 ID x 3/4 LONG BUSHING	2
1.1.5	250-14-12-051	VALVE GUIDE	2	4	250-14-15-000	HANDLE ASSY	1
1.2	250-96-01-000	UPPER EXTENSION PIPE ASSY	1	4.1	250-14-15-057	UPPER VALVE SHAFT	1
1.2.1	250-15-17-061	VALVE EXTENSION PIPE	1	4.2	250-14-15-058	TEE HANDLE	1
1.2.2	250-96-01-296	6" COUPLING BASE TUBE	1	5	250-14-14-056	SS CAM	1
1.2.3	250-96-00-298	CHAIN LUG	1	6	R08241	3/16 x 1 SS ROLL PIN	1
1.3	250-15-00-060	MOUNT BRACKET	2	7	R07986	3/16 x 5/8 HARDENED DOWEL PIN	2
1.4	250-15-00-059	FIXED UPPER STANDPIPE	1	8	R07619	3/8 x 1 UNC HEX BOLT	10
1.5	250-15-00-170	STOP RING	1	9	R07794	3/8-16 UNC FLANGE NUT	10
2	250-14-13-000	UPPER VALVE GATE ASSY	1				

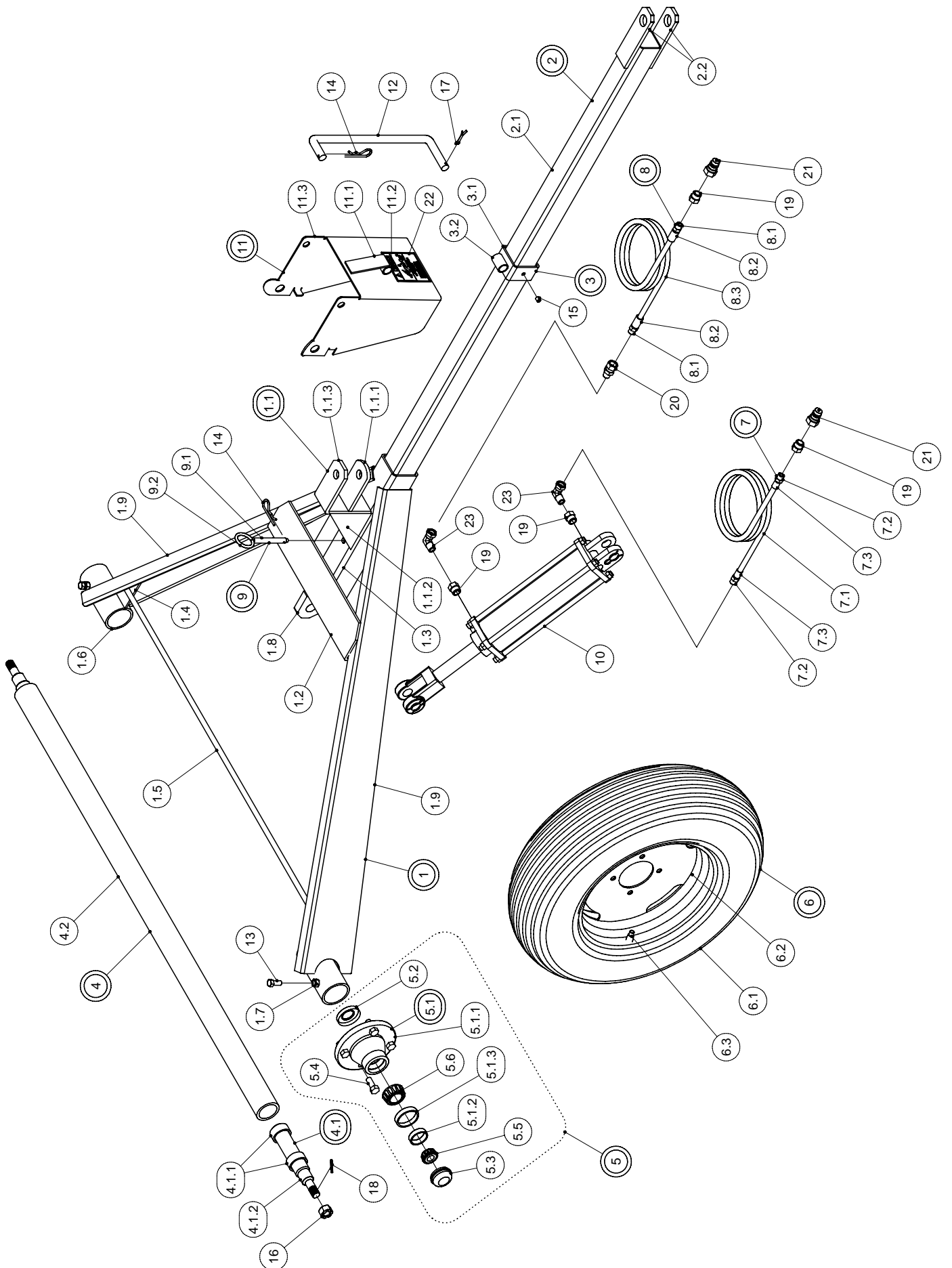


DISCHARGE PIPE

PARTS LIST				PARTS LIST			
ITEM	PART NUMBER	DESCRIPTION	QTY	ITEM	PART NUMBER	DESCRIPTION	QTY
1	250-98-00-000	15 FT DISCHARGE PIPE KIT	*	1.6.1	250-26-22-096	15 FT DISCHARGE PIPE	*
1.1	R07677	1/4 x 3/4 UNC HEX BOLT	4	1.6.2	R09690	"TIE DOWN" DECAL	1
1.2	R07821	1/4" FLAT WASHER	4	1.6.3	R09502	"HUSKY" DECAL	1
1.3	R07781	1/4-20 UNC HEX NUT	4	1.6.4	250-26-22-097	DISCHARGE ELBOW CENTER PC	1
	250-99-00-000	20 FT DISCHARGE PIPE KIT	1	1.6.5	250-26-22-098	DISCHARGE ELBOW END PC	1
	250-94-00-000	25 FT DISCHARGE PIPE KIT	*	1.6.6	250-26-22-099	DISCHARGE PIPE HOOK	1
	252-09-00-000	30 FT DISCHARGE PIPE KIT	*	1.6.7	250-26-22-397	6" PIPE HOOK REINF STRAP	1
1.4	250-95-00-000	PUMP ELBOW w/ RING ASSY	1	1.7	250-00-00-095	FLEX HOSE SECTION	1
1.4.1	250-26-21-000	PUMP ELBOW ASSY	1	2	242-33-00-000	BIPOD LEG ASSY	2
1.4.1.1	250-26-21-092	PUMP ELBOW BASE SECTION	1	2.1	242-33-00-155	BIPOD LEGS	1
1.4.1.2	250-26-21-093	PUMP ELBOW MIDDLE SECTION	1	2.2	242-33-00-156	BIPOD LEG HOOK	1
1.4.1.3	250-26-21-094	PUMP ELBOW UPPER SECTION	1	3	242-79-00-000	BIPOD LEG CHAIN ASSY	1
1.4.2	250-95-00-295	CLAMP RING	1	3.1	242-79-00-199	BIPOD LEG CHAIN	1
1.5	R02482	6" HOSE CLAMP	2	3.2	242-79-00-198	BIPOD LEG CLIP	2
(1.6)	252-09-01-000	30 FT DISCHARGE PIPE ASSY	*	4	250-97-00-000	CLAMP & CHAIN ASSY	1
(1.6)	250-94-01-000	25 FT DISCHARGE PIPE ASSY	*	4.1	R02487	6" RING LOCK CLAMP	1
(1.6)	250-55-25-000	20 FT DISCHARGE PIPE ASSY	1	4.2	250-97-00-297	CLAMP CHAIN	1
1.6	250-26-22-000	15 FT DISCHARGE PIPE ASSY	*	5	R07948	5/32 HAIR PIN	2
(1.6.1)	252-09-01-326	30 FT DISCHARGE PIPE	*	6	250-00-00-355	6" DISCHARGE PIPE DROP HOSE	1
(1.6.1)	250-94-01-294	25 FT DISCHARGE PIPE	*	7	R02482	6" HOSE CLAMP	1
(1.6.1)	250-55-25-134	20 FT DISCHARGE PIPE	1				



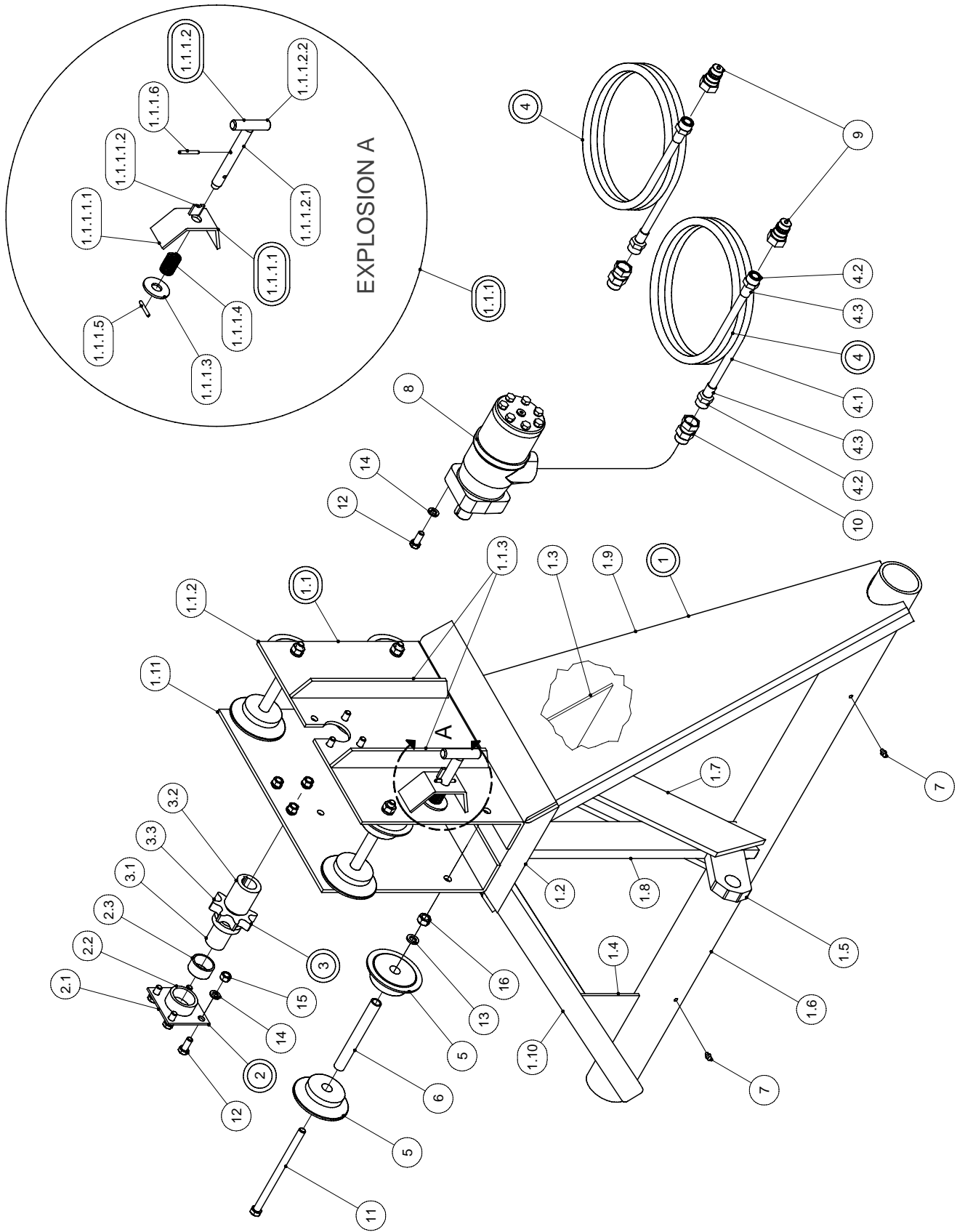
CHASSIS



CHASSIS

PARTS LIST				PARTS LIST			
ITEM	PART NUMBER	DESCRIPTION	QTY	ITEM	PART NUMBER	DESCRIPTION	QTY
1	250-61-00-000	CHASSIS ASSY	1	5.6	R20159	LM29748 INNER CONE	1
1.1	250-61-37-000	CHASSIS HITCH ASSY	1	6	250-65-00-000	TIRE & WHEEL ASSY - 5.9 x 15	2
1.1.1	250-58-00-139	CHASSIS HITCH PLATE CENTER	1	6.1	R20016	5.9 x 15 RIB IMPLEMENT TIRE	1
1.1.2	250-61-00-145	CHASSIS HITCH PLATE GUSSET	2	6.2	R20057	4.5 x 15 WHEEL - 4 BOLT	1
1.1.3	250-61-00-144	CHASSIS HITCH PLATE	1	6.3	R20020	VALVE STEM	1
1.2	250-61-00-143	CROSS ANGLE	1	7	242-34-00-000	HYDRAULIC HOSE ASSY	1
1.3	250-61-00-146	HITCH PLATE	1	7.1	242-34-00-158	HYDRAULIC HOSE	1
1.4	206-01-00-005	FRAME GUSSET	4	7.2	R20803	3/8 - 16 NPT SOLID MALE STEM	2
1.5	206-01-00-003	WHEEL TIE BAR	1	7.3	R21231	STEEL FERRULE - 1/4"	2
1.6	206-01-02-008	AXLE SLEEVE	2	8	242-35-00-000	HYDRAULIC HOSE ASSY	1
1.7	R07784	7/16 HEX NUT	2	8.1	R20803	3/8 - 16 NPT SOLID MALE STEM	2
1.8	206-01-01-007	BASE PIVOT	1	8.2	R21235	STEEL FERRULE - 1/4" MEGAFLEX HOSE	2
1.9	250-61-00-142	FRAME SIDE MEMBER	2				
2	250-62-00-000	TONGE ASSY	1	8.3	242-35-00-159	HYDRAULIC HOSE - 14000L	1
2.1	250-62-00-147	TONGE TUBE	1	9	206-03-00-000	TONGE PIN ASSY	1
2.2	206-02-00-014	TONGE PLATE	2	9.1	206-03-00-019	TONGE PIN	1
3	250-63-00-000	TONGE SLEEVE ASSY	1	9.2	250-00-00-354	1/4 X 1 1/2" RING	1
3.1	250-63-00-148	TONGE SLEEVE	1	10	R20727	3 x 8 HYDRAULIC CYLINDER	1
3.2	206-02-00-015	TIE ROD SLEEVE	1	11	250-32-00-000	PTO GUARD ASSY	1
4	250-64-00-000	AXLE ASSY	1	11.1	250-32-00-118	PTO GUARD BRACE	1
4.1	250-64-27-000	SPINDLE ASSY	2	11.2	206-02-00-015	TIE ROD SLEEVE	1
4.1.1	250-64-27-149	PLUG WASHER	2	11.3	250-32-00-105	PTO GUARD	1
4.1.2	R20141	SPINDLE	1	12	250-00-00-106	TIE ROD	1
4.2	206-00-00-017	AXLE TUBE	1	13	R07628	7/16 x 1 HEX BOLT	2
5	250-60-30-000	H-411 HUB COMPLETE	2	14	R07948	5/32 HAIR PIN	2
5.1	R20139	H-411 HUBS w/ CUPS	1	15	R07865	3/8 - 24 UNF SET SCREW 3/8 LONG	1
5.1.1	R20160	411- BOLT HUB	1	16	R20142	SLOTTED HEX NUT	2
5.1.2	R20130	H411 LM11910 O.CUP	1	17	R08013	3/16 x 2 COTTER PIN	1
5.1.3	R20129	H411 LM67010 I.CUP	1	18	R08002	5/32 x 1 1/2 COTTER PIN	2
5.2	R20144	OIL SEAL	1	19	R02043	BUSHING 1/2 x 3/8	4
5.3	R20143	DUST CAP	1	20	R21336	3/8 - 18 RESTRICTOR	1
5.4	R20145	WB55 1/2 x 1 WHEEL BOLT	4	21	R21342	1/2" MALE PIONEER TIP	2
5.5	R20158	LM67048 OUTER CONE	1	22	R21521	"ROTATING DRIVE LINE" DECAL	1
				23	R21328	3/8 NPT x 90 DEG SW. ADAPTER	2

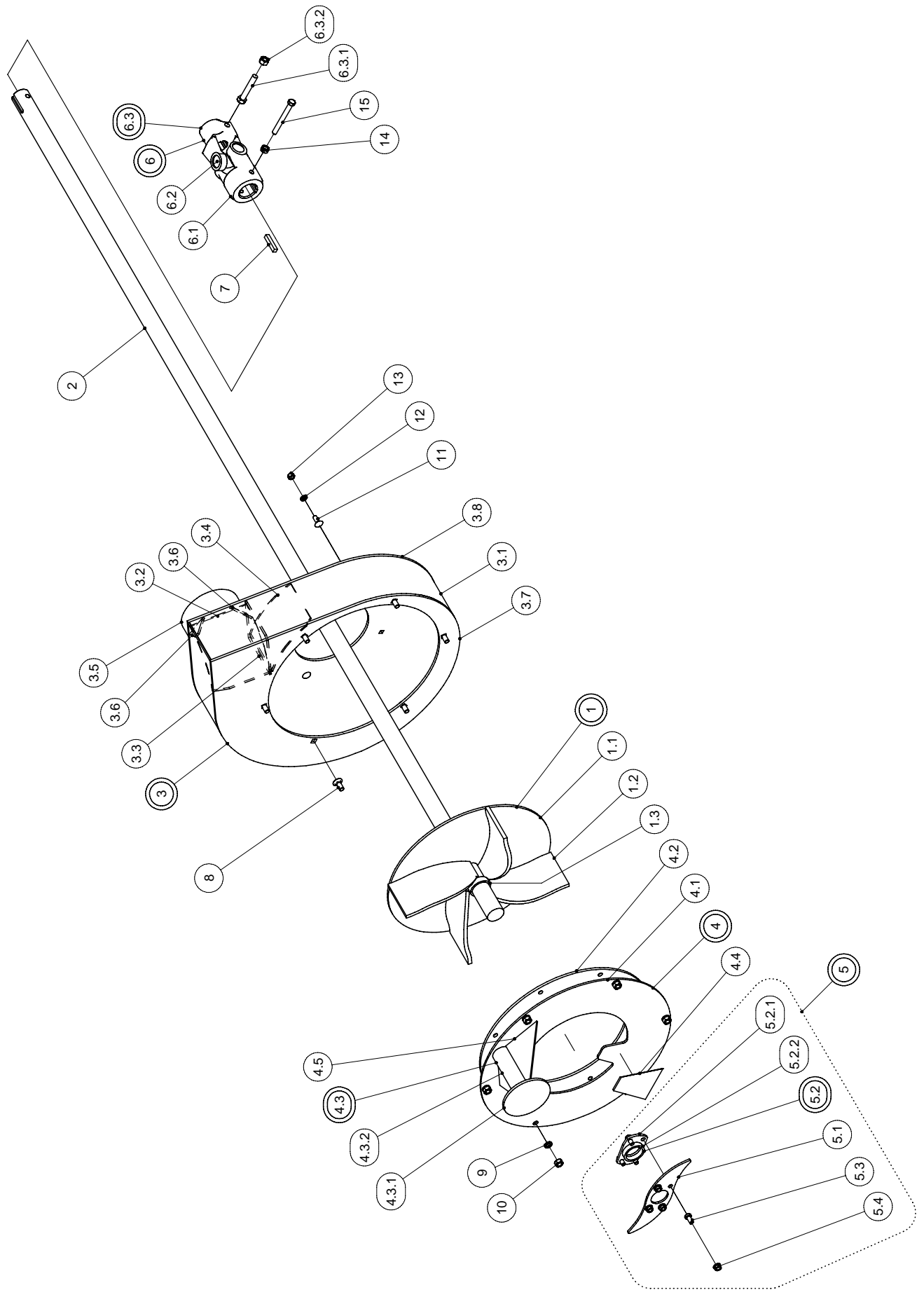
TILT FRAME



TILT FRAME

PARTS LIST				PARTS LIST			
ITEM	PART NUMBER	DESCRIPTION	QTY	ITEM	PART NUMBER	DESCRIPTION	QTY
1	250-23-00-000	TILT FRAME ASSY	1	2	242-26-00-000	BUSHING HOLDER ASSY	1
1.1	250-23-20-000	LH SPOOL HOLDER ASSY	1	2.1	242-26-00-133	BUSHING HOLDER PLATE	1
1.1.1	252-12-00-000	SIDE LOCK PIN KIT	1	2.2	242-26-00-134	BUSHING HOLDER	1
1.1.1.1	242-17-17-000	SIDE LOCK BRACKET ASSY	1	2.3	R20259	BUSHING 1 1/4 x 1 1/2 x 3/4 LONG	1
1.1.1.1.1	242-17-17-193	SIDE LOCK BRACKET	1	3	250-25-00-000	SPROCKET DRIVE ASSY	1
1.1.1.1.2	242-17-17-194	PIN STOP	1	3.1	250-25-00-090	SPROCKET SHAFT	1
1.1.1.2	250-23-26-000	SIDE LOCK PIN ASSY	1	3.2	250-25-00-091	MOTOR TO SHAFT COUPLING	1
1.1.1.2.1	250-23-26-135	SIDE LOCK PIN	1	3.3	250-25-00-257	80 B8 SROCKET w/ 1 1/4" BORE	1
1.1.1.2.2	242-17-18-196	PIN HANDLE	1	4	252-49-00-000	HYDRAULIC HOSE ASSY	2
1.1.1.3	R07826	5/8 FLAT WASHER	1	4.1	252-49-00-123	HYDRAULIC HOSE	1
1.1.1.4	R08027	7/8 x 1 3/8 COMP. SPRING	1	4.2	R20804	1/4 STEM 1/2 NPT SOLID MALE STEM	2
1.1.1.5	R07950	3/16 x 1 1/4 ROLL PIN	1				
1.1.1.6	R07943	3/16 x 1 1/2 ROLL PIN	1	4.3	R21231	STEEL FERRULE - 1/4"	2
1.1.2	250-23-20-085	LH SPOOL HOLDER	1	5	250-00-00-183	SPOOL	8
1.1.3	250-23-20-086	SPOOL HOLDER BRACE	2	6	250-00-00-089	SPOOL SLEEVE	4
1.2	250-23-00-081	TILT FRAME BASE	1	7	R08183	1/4" - 28 STRAIGHT GREASE FTG	2
1.3	250-23-00-080	TILT FRAME GUSSET	1	8	R22255	M&S HYDRAULIC MOTOR	1
1.4	250-23-00-082	SUPPORT ARM GUSSET	2	9	R21342	1/2" MALE PIONEER TIP	2
1.5	250-23-00-129	LIFT ARM	1	10	R21279	7/8-14 SAE x 1/2" NPT ADAPTOR	2
1.6	206-04-00-022	PIVOT TUBE	1	11	R07689	7/16 x 8 UNC HEX BOLT	4
1.7	250-23-00-083	REINFORCING BAR	2	12	R07670	3/8 x 7/8 UNC HEX BOLT	8
1.8	250-23-00-132	UPRIGHT SUPPORT	1	13	R07804	7/16" LOCK WASHER	4
1.9	250-23-00-079	L.H. ARM SUPPORT	1	14	R07803	3/8" LOCK WASHER	8
1.10	250-23-00-078	R.H. ARM SUPPORT	1	15	R07783	3/8-16 UNC HEX NUT	4
1.11	250-23-00-084	RH SPOOL HOLDER	1	16	R07784	7/16-14 UNC HEX NUT	4

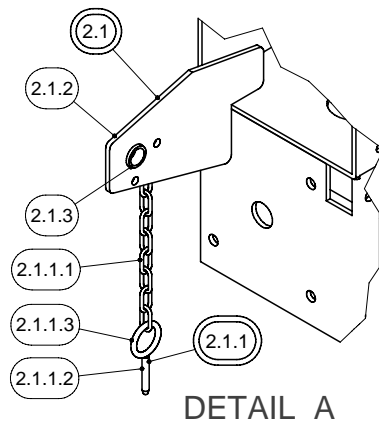
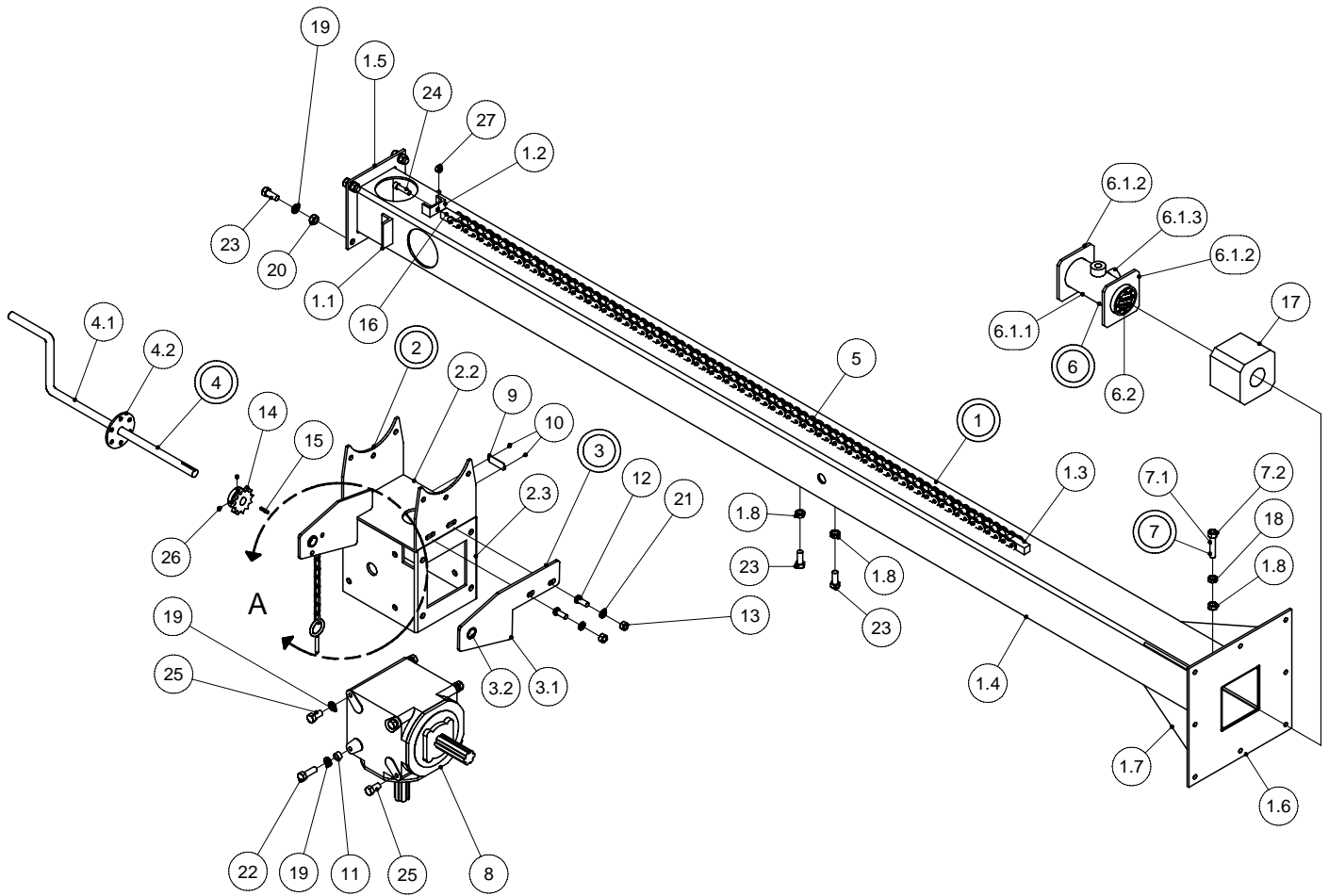
FAN & HOUSING



FAN & HOUSING

PARTS LIST			
ITEM	PART NUMBER	DESCRIPTION	QTY
1	252-20-00-000	IMPELLER ASSY-2007	1
1.1	250-03-00-008	IMPELLER BACK PLATE	1
1.2	252-20-00-413	IMPELLER BLADE-2007	4
1.3	250-03-11-018	IMPELLER GUIDE RING	1
2	250-00-00-184	DRIVE SHAFT - 8 FT MODEL	1
	252-00-00-185	DRIVE SHAFT - 10 FT MODEL	*
	254-00-00-186	DRIVE SHAFT - 12 FT MODEL	*
3	250-72-00-000	FAN HOUSING ASSY	1
3.1	250-72-00-163	HOUSING BAND	1
3.2	250-72-00-166	HOUSING DEFLECTOR PLATE	1
3.3	250-72-00-165	SIDE PLATE	1
3.4	250-72-00-167	INNER HOUSING RING	1
3.5	250-72-00-164	DISCHARGE TUBE	1
3.6	250-72-00-169	HOUSING CORNER GUSSET	2
3.7	250-72-00-162	LOWER FAN HOUSING PLATE	1
3.8	250-72-00-161	UPPER FAN HOUSING PLATE	1
4	252-21-00-000	COVER PLATE ASSY-2007	1
4.1	252-21-00-414	COVER PLATE-2007	1
4.2	244-01-00-255	COVER PLATE SUPPORT	1
4.3	250-04-03-000	FOOT ASSY	1
4.3.1	250-04-03-012	FOOT END	1
4.3.2	250-04-03-013	FOOT PLATE	1
4.4	250-04-00-015	CUTTER PLATE	1
4.5	250-04-00-173	FOOT GUSSET	2
5	250-73-00-000	CUTTER BLADE KIT	1
5.1	250-73-00-308	CUTTER BLADE	1
5.2	250-73-32-000	CUTTER BLADE BRACKET ASSY	1
5.2.1	250-73-32-172	CUTTER BLADE BRACKET	1
5.2.2	250-73-32-171	CUTTER BLADE RING	1
5.3	R07688	3/8 x 3/4 UNC HEX BOLT	4
5.4	R07794	3/8-16 UNC FLANGE NUT	4
6	250-75-00-000	KNUCKLE ASSY	1
6.1	R22067	1 3/4 ROUND HOLE YOKE	1
6.2	R20334	JOURNAL & BEARING KIT	1
6.3	R22027	1 3/8 - 6 TOOTH CL YOKE w/BOLT	1
6.3.1	R07641	1/2 x 3 HEX BOLT	1
6.3.2	R08219	1/2" NYLOCK NUT	1
7	270-00-00-075	3/8 KEY - 50mm LONG	1
8	R07731	7/16 x 1 UNC CARRIAGE BOLT	6
9	R07804	7/16" LOCK WASHER	6
10	R07784	7/16-14 UNC HEX NUT	6
11	R07721	3/8 x 1 UNC CARRIAGE BOLT	8
12	R07803	3/8" LOCK WASHER	8
13	R07783	3/8-16 UNC HEX NUT	8
14	R07891	7/16-14 UNC 2-WAY LOCK NUT	1
15	R07634	7/16 x 4 UNC HEX BOLT	1

SHAFT TUBE

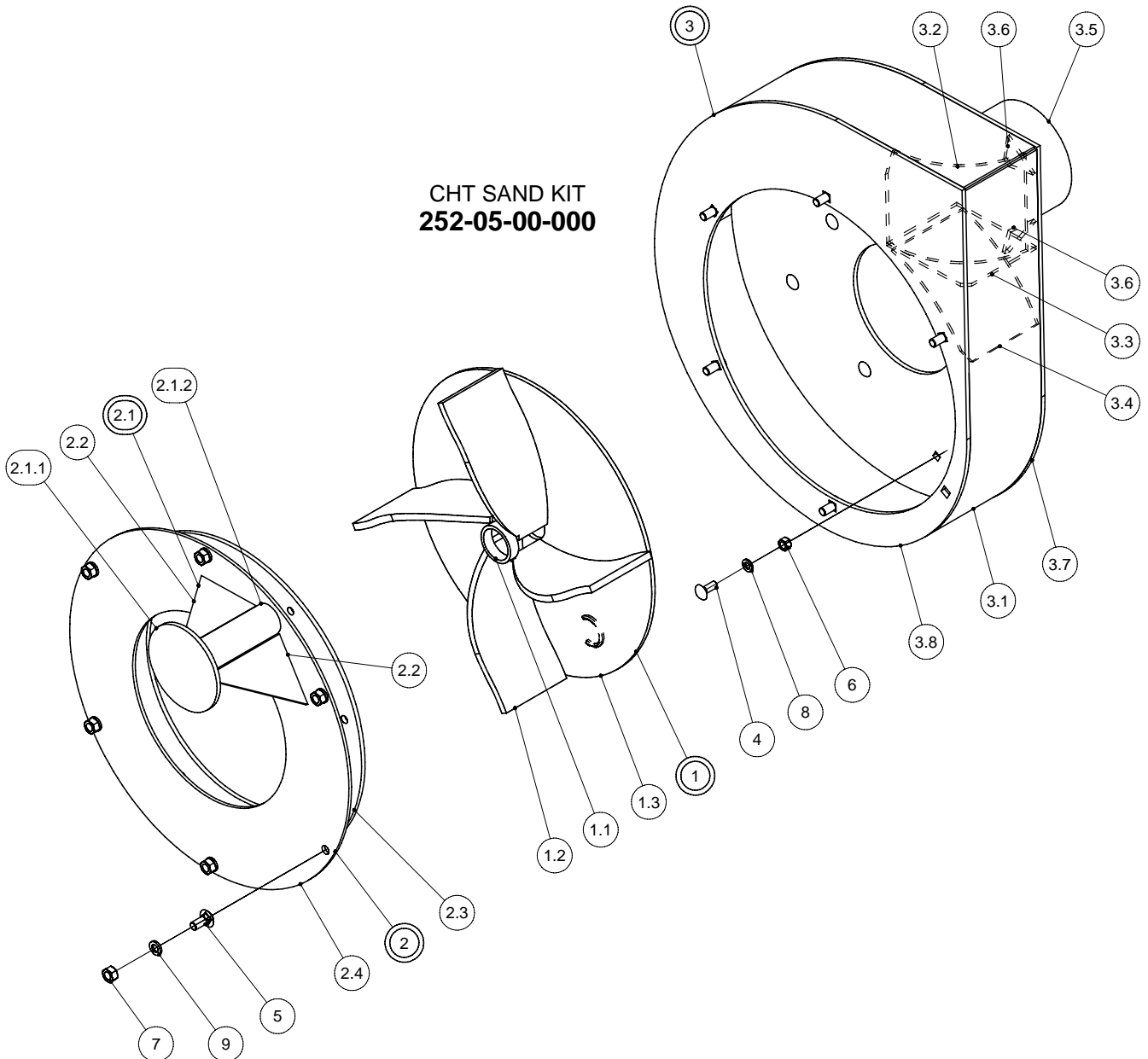


SHAFT TUBE

PARTS LIST				PARTS LIST			
ITEM	PART NUMBER	DESCRIPTION	QTY	ITEM	PART NUMBER	DESCRIPTION	QTY
(1)	254-39-00-000	SHAFT TUBE ASSY - 12 FT MODEL	*		246-00-00-177	ROLLER CHAIN - 12 FT	*
(1)	252-38-00-000	SHAFT TUBE ASSY - 10 FT MODEL	*	6	250-76-00-000	MARINE BRG & HOLDER COMPLETE	1
1	250-05-00-000	SHAFT TUBE ASSY - 8 FT MODEL	1	6.1	250-76-34-000	MARINE BRG HOLDER ASSY	1
1.1	250-05-00-017	SPOOL HOLDER STOP	2	6.1.1	250-76-34-180	URETHANE BRG SLEEVE	1
1.2	242-11-00-061	TIGHTENER BRACKET	1	6.1.2	250-76-34-181	BRG SLEEVE HOLDER	2
1.3	242-11-00-059	CHAIN HOLD DOWN BRACKET	1	6.1.3	250-76-34-256	STABILIZER SLEEVE	2
1.4	250-05-00-014	SHAFT TUBE - 8 FT MODEL	1	6.2	R20280	URETHANE	1
	252-38-00-109	SHAFT TUBE - 10 FT MODEL	*	7	250-59-00-000	SET SCREW ASSY	1
	254-39-00-111	SHAFT TUBE - 12 FT MODEL	*	7.1	250-59-00-141	SS SET SCREW REDDI ROD	1
1.5	250-05-00-016	SHAFT TUBE FLANGE	1	7.2	R08235	1/2 S.S. HEX NUT	1
1.6	250-05-00-073	LOWER SHAFT TUBE FLANGE	1	8	R20670	COMER T276A 1:1.5 GEAR BOX	1
1.7	250-05-00-077	SHAFT TUBE GUSSET	4	9	R09071	SERIAL NUMBER PLATE	1
1.8	R08304	1/2 S.S. FLANGE NUT	3	10	R08152	6 x 1/4 PAN HD SOCKET SCREW	2
2	250-16-00-000	GEARBOX BRACKET ASSY	1	11	250-00-00-302	FLIP GUARD SPACER	2
2.1	250-16-18-000	UPPER CRANK BRACKET ASSY	1	12	R07732	7/16 x 1 1/4 CARRIAGE BOLT	2
2.1.1	250-18-00-000	LOCK PIN ASSY w/ CHAIN	1	13	R07784	7/16 HEX NUT	2
2.1.1.1	250-18-00-067	LOCK PIN CHAIN	1	14	R20613	50A54 W/8.67 BORE SPROCKET	1
2.1.1.2	250-18-00-071	LOCK PIN	1	15	250-00-00-124	3/16 KEY	1
2.1.1.3	R07925	1/4 x 1 1/2 PLATED RING	1	16	242-00-00-066	CHAIN TIGHTENER	1
2.1.2	250-16-18-065	ROLLER CHAIN - 8 FT	1	17	R20233	1 7/8 SQUARE WOOD BRG	1
2.1.3	250-16-18-066	SLEEVE	1	18	R08046	1/2 - 13 JAM NUT	1
2.2	250-16-00-064	GEARBOX BRACKET COVER PLATE	1	19	R07805	1/2 LOCK WASHER	10
2.3	250-16-00-063	GEARBOX BRACKET	1	20	R07785	1/2 HEX NUT	4
3	250-89-00-000	CRANK BRACKET ASSY	1	21	R07804	7/16 LOCK WASHER	2
3.1	250-13-00-068	CRANK BRACKET	1	22	R07638	1/2 x 1 1/2 HEX BOLT	2
3.2	250-16-18-066	SLEEVE	1	23	R07674	1/2 x 1 1/4 HEX BOLT	6
4	250-17-00-000	CRANK ASSY	1	24	R07868	3/8 x 1 1/2 SOC. HD CAP SCREW	1
4.1	250-17-00-069	CRANK	1	25	R07637	1/2 x 1 HEX BOLT	6
4.2	250-17-00-070	CRANK LOCK PLATE	1	26	R07910	1/4 x 1/4" SET SCREW	2
5	242-00-00-065	ROLLER CHAIN - 8 FT	1	27	R07797	3/8" UNF HEX NUT	1
	244-00-00-169	ROLLER CHAIN - 10 FT	*				

K-31 CHT SAND KIT

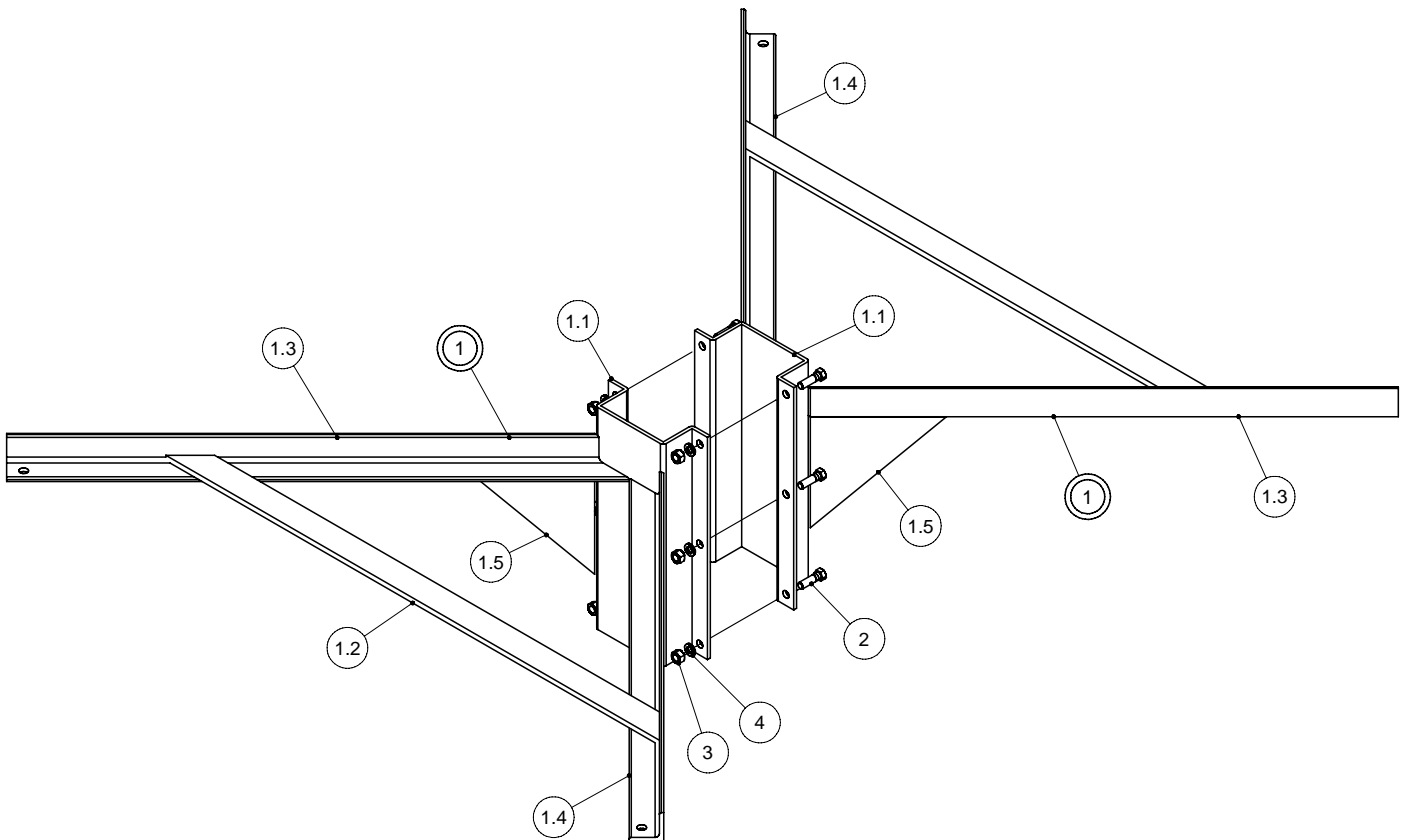
PARTS LIST				PARTS LIST			
ITEM	PART NUMBER	DESCRIPTION	QTY	ITEM	PART NUMBER	DESCRIPTION	QTY
1	252-05-01-000	CHT IMPELLER ASSY-2007	1	3.2	252-06-00-319	CHT HOUSING DEFLECTOR PLATE	1
1.1	250-03-11-018	IMPELLER GUIDE RING	1	3.3	252-06-00-318	CHT SIDE PLATE	1
1.2	252-05-01-415	CHT IMPELLER BLADE-2007	4	3.4	252-06-00-321	CHT INNER HOUSING RING	1
1.3	252-07-00-322	CHT IMPELLER BACK PLATE	1	3.5	250-72-00-164	DISCHARGE TUBE	1
2	252-05-02-000	CHT COVER PLATE ASSY-2007	1	3.6	252-06-00-320	CHT CORNER GUSSET	2
2.1	250-04-03-000	FOOT ASSY	1	3.7	252-06-00-315	CHT UPPER FAN HOUSING PLATE	1
2.1.1	250-04-03-012	FOOT END	1	3.8	252-06-00-316	CHT LOWER FAN HOUSING PLATE	1
2.1.2	250-04-03-013	FOOT PLATE	1	4	R07721	3/8 x 1 UNC CARRIAGE BOLT	8
2.2	250-04-00-173	FOOT GUSSET	2	5	R07731	7/16 x 1 UNC CARRIAGE BOLT	6
2.3	244-33-00-357	CHT COVER PLATE SUPPORT	1	6	R07783	3/8-16 UNC HEX NUT	8
2.4	252-05-02-416	CHT COVER PLATE-2007	1	7	R07784	7/16-14 UNC HEX NUT	6
3	252-06-00-000	CHT FAN HOUSING ASSY	1	8	R07803	3/8" LOCK WASHER	8
3.1	252-06-00-317	CHT HOUSING BAND	1	9	R07804	7/16" LOCK WASHER	6



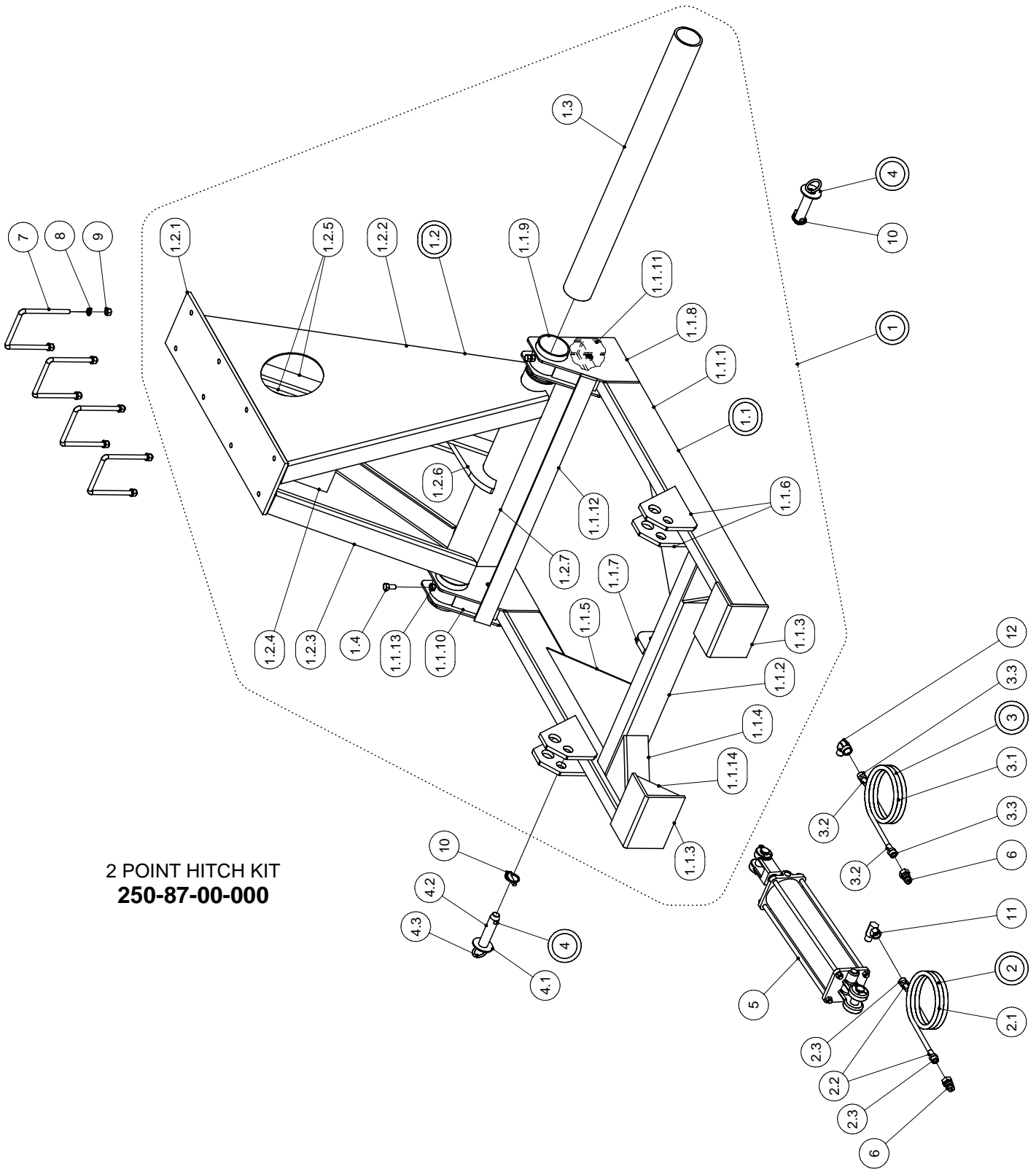
FLOOR X FRAME

PARTS LIST			
ITEM	PART NUMBER	DESCRIPTION	QTY
1	250-91-55-000	FLOOR FRAME ASSY	2
1.1	250-88-48-250	SHAFT TUBE CLAMP BRACKET	1
1.2	250-91-55-262	FLOOR BRACKET BRACE	1
1.3	250-91-55-260	FLOOR BRACKET LEG LH	1
1.4	250-91-55-261	FLOOR BRACKET LEG RH	1
1.5	250-91-55-263	GUSSET	2
2	R07629	7/16 x 1 1/2 HEX BOLT	6
3	R07784	7/16 HEX NUT	6
4	R07804	7/16 LOCK WASHER	6

FLOOR X-FRAME 250-91-00-000



2 POINT HITCH KIT



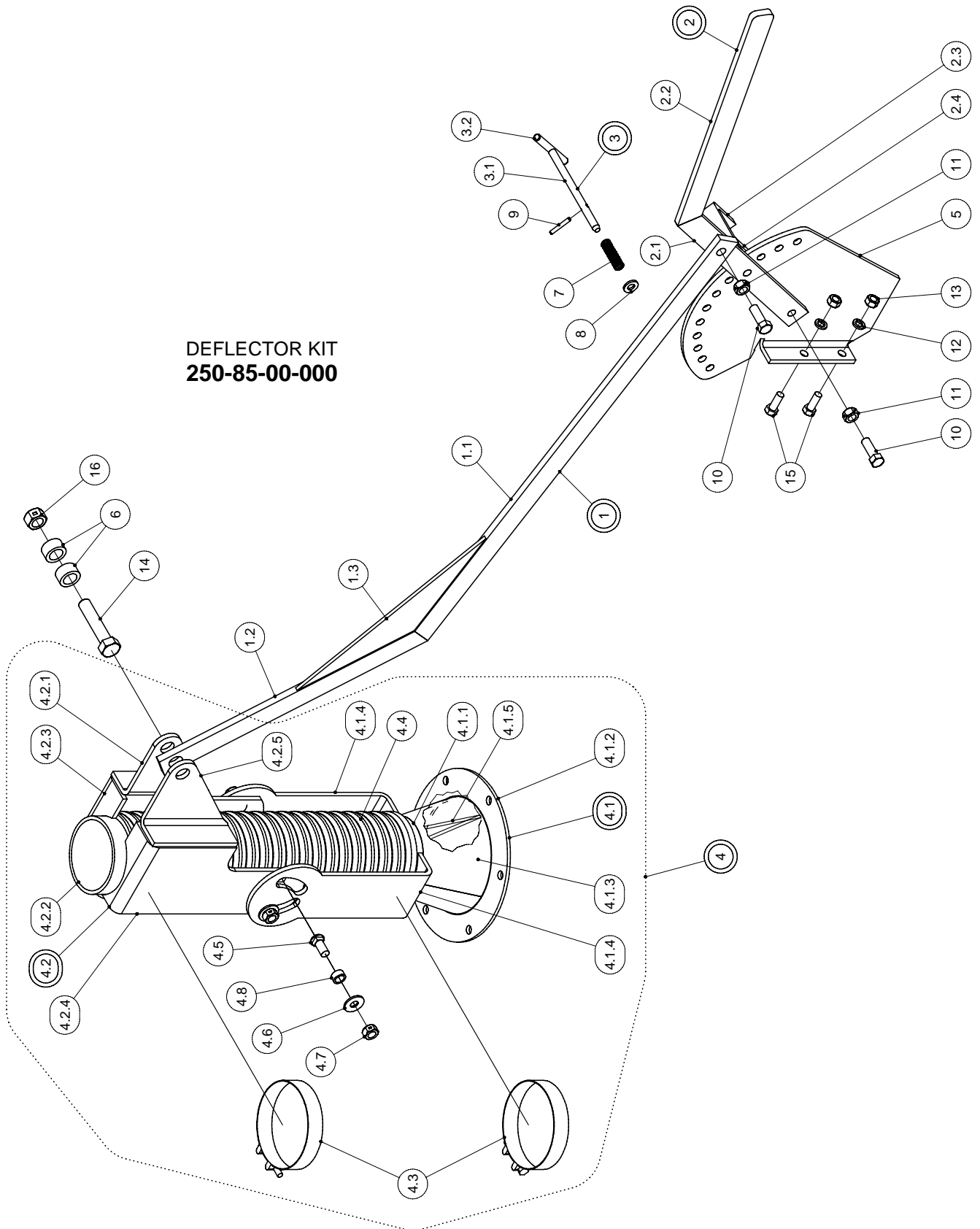
2 POINT HITCH KIT
250-87-00-000

2 POINT HITCH KIT

PARTS LIST			
ITEM	PART NUMBER	DESCRIPTION	QTY
1	250-87-60-000	2 PT HITCH LESS HYD & "U" BOLTS	1
1.1	250-87-44-000	2PT FRAME ASSY - LESS CTRL VALVE STAND	1
1.1.1	250-87-44-215	LIFT ARM	2
1.1.2	250-87-44-216	CROSS BRACE	1
1.1.3	250-87-44-217	END CAP	2
1.1.4	250-87-44-218	ANGLE GUSSET	2
1.1.5	250-87-44-219	CROSS BRACE GUSSET	2
1.1.6	250-87-44-220	LIFT BRACKETS	4
1.1.7	250-87-44-221	CYLINDER LUG	1
1.1.8	250-87-44-222	TILT FRAME BRACKET	4
1.1.9	250-87-44-223	FRONT FRAME BRACKET SLEEVE	2
1.1.10	250-87-44-224	FRONT FILLER PLATE	2
1.1.11	250-87-44-225	REAR FILLER PLATE	2
1.1.12	250-87-44-226	CROSS STRAP	1
1.1.13	R07785	1/2 HEX NUT	2
1.1.14	250-87-44-335	GUSSET	2
1.2	250-87-45-000	TILT FRAME ASSY	1
1.2.1	250-87-45-235	TOP SUPPORT PLATE	1
1.2.2	250-87-45-228	LH SUPPORT ARM	1
1.2.3	250-87-45-229	RH SUPPORT ARM	1
1.2.4	250-87-45-233	TILT FRAME GUSSET	1
1.2.5	250-87-45-232	REINFORCING BARS	2
1.2.6	250-87-45-231	CYLINDER AXLE BRACKET	1
1.2.7	250-87-45-230	SUPPORT ARM SLEEVE	1
1.3	250-87-00-227	INNER AXLE TUBE	1
1.4	R07637	1/2 x 1 HEX BOLT	2
2	250-87-51-000	HYDRAULIC HOSE ASSY	1
2.1	250-87-51-258	HYDRAULIC HOSE	1
2.2	R21231	STEEL FERRULE - 1/4"	2
2.3	R20804	1/4 STEM 1/2 NPT SOLID MALE STEM	2
3	250-87-52-000	HYDRAULIC HOSE ASSY	1
3.1	250-87-52-259	HYDRAULIC HOSE	1
3.2	R21231	STEEL FERRULE - 1/4"	2
3.3	R20804	1/4 STEM 1/2 NPT SOLID MALE STEM	2
4	250-87-56-000	DRAW PIN ASSY	2
4.1	R07828	1" FLAT WASHER	1
4.2	250-87-56-264	DRAW PIN	1
4.3	250-00-00-354	1/4 X 1 1/2" RING	1
5	R20724	4 x 14 HYDRAULIC CYLINDER	1
6	R21342	1/2" MALE PIONEER TIP	2
7	R08174	"U" BOLT 1/2 - 13 UNC x 5	4
8	R07805	1/2" LOCK WASHER	8
9	R07785	1/2-13 UNC HEX NUT	8
10	R08040	2 - 18 LYNCH PIN	2
11	R21335	61UA08-08 90° RESTRICTOR	1
12	R21367	1/2 X 90 HYD ELBOW	1

DEFLECTOR KIT

**DEFLECTOR KIT
250-85-00-000**

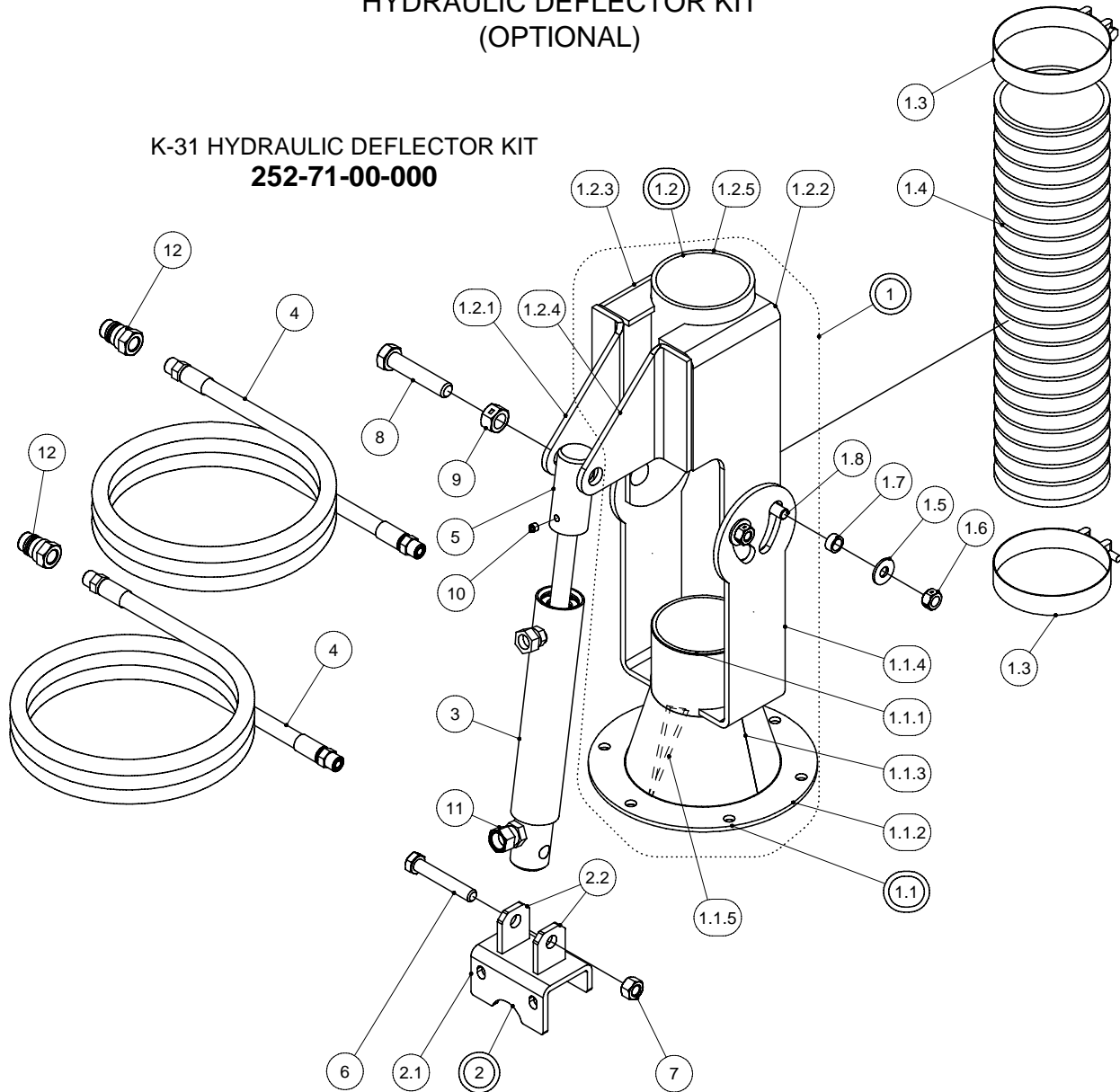


DEFLECTOR KIT

PARTS LIST			
ITEM	PART NUMBER	DESCRIPTION	QTY
1	250-85-40-000	DEFLECTOR ARM ASSY	1
1.1	250-85-40-203	MIDDLE DEFLECTOR BAR	1
1.2	250-85-40-202	BOTTOM DEFLECTOR BAR	1
1.3	250-85-40-205	DEFLECTOR ARM GUSSET	1
2	250-85-41-000	HANDLE ASSY	1
2.1	250-85-41-207	LOWER HANDLE	1
2.2	250-84-41-206	UPPER HANDLE	1
2.3	250-85-41-208	STABILIZER PIN BRACKET	1
2.4	250-85-41-209	SPRING STOP	1
3	250-85-42-000	STABILIZER PIN ASSY	1
3.1	250-85-42-212	PIN STEM	1
3.2	250-85-42-211	PIN HANDLE	1
4	250-85-01-000	DEFLECTOR KIT-LESS LEVER & HANDLE	1
4.1	250-85-58-000	FLANGE & CONE ASSY	1
4.1.1	242-58-48-289	CONE EXTENSION PIPE	1
4.1.2	250-93-00-288	FLANGE	1
4.1.3	270-63-30-193	CONE HALF	2
4.1.4	242-58-48-288	OUTER PIVOT BRACKET	2
4.1.5	250-85-38-198	CONE RIBS	4
4.2	250-85-59-000	DEFLECTOR DISCHARGE ASSY	1
4.2.1	250-85-59-292	RH BRACKET	1
4.2.2	242-58-49-292	EXTENSION PIPE	1
4.2.3	242-58-49-290	RH INNER PIVOT BRACKET	1
4.2.4	242-58-49-291	LH INNER PIVOT BRACKET	1
4.2.5	250-85-59-293	LH BRACKET	1
4.3	R02481	4" CLAMP	2
4.4	242-58-00-296	FLEX HOSE	1
4.5	R07731	7/16 x 1 CARRIAGE BOLT	4
4.6	R07824	7/16 FLAT WASHER	4
4.7	R07891	7/16 2-WAY LOCK NUT	4
4.8	244-05-00-281	SPACER PIPE	4
5	250-85-00-213	ADJUSTING PLATE	1
6	250-00-00-289	SPACER	2
7	R08024	1/2 x 2 1/4 COMP. SPRING	1
8	R07823	3/8 FLAT WASHER	1
9	R07977	3/16 x 1 1/4 ROLL PIN	1
10	R07671	7/16 x 1 1/4 HEX BOLT	2
11	R07891	7/16 2-WAY LOCK NUT	2
12	R07803	3/8 LOCK WASHER	2
13	R07783	3/8 HEX NUT	2
14	R07649	5/8 x 3 HEX BOLT	1
15	R07619	3/8 x 1 HEX BOLT	2
16	R07887	5/8 HEX NUT	1

HYDRAULIC DEFLECTOR KIT (OPTIONAL)

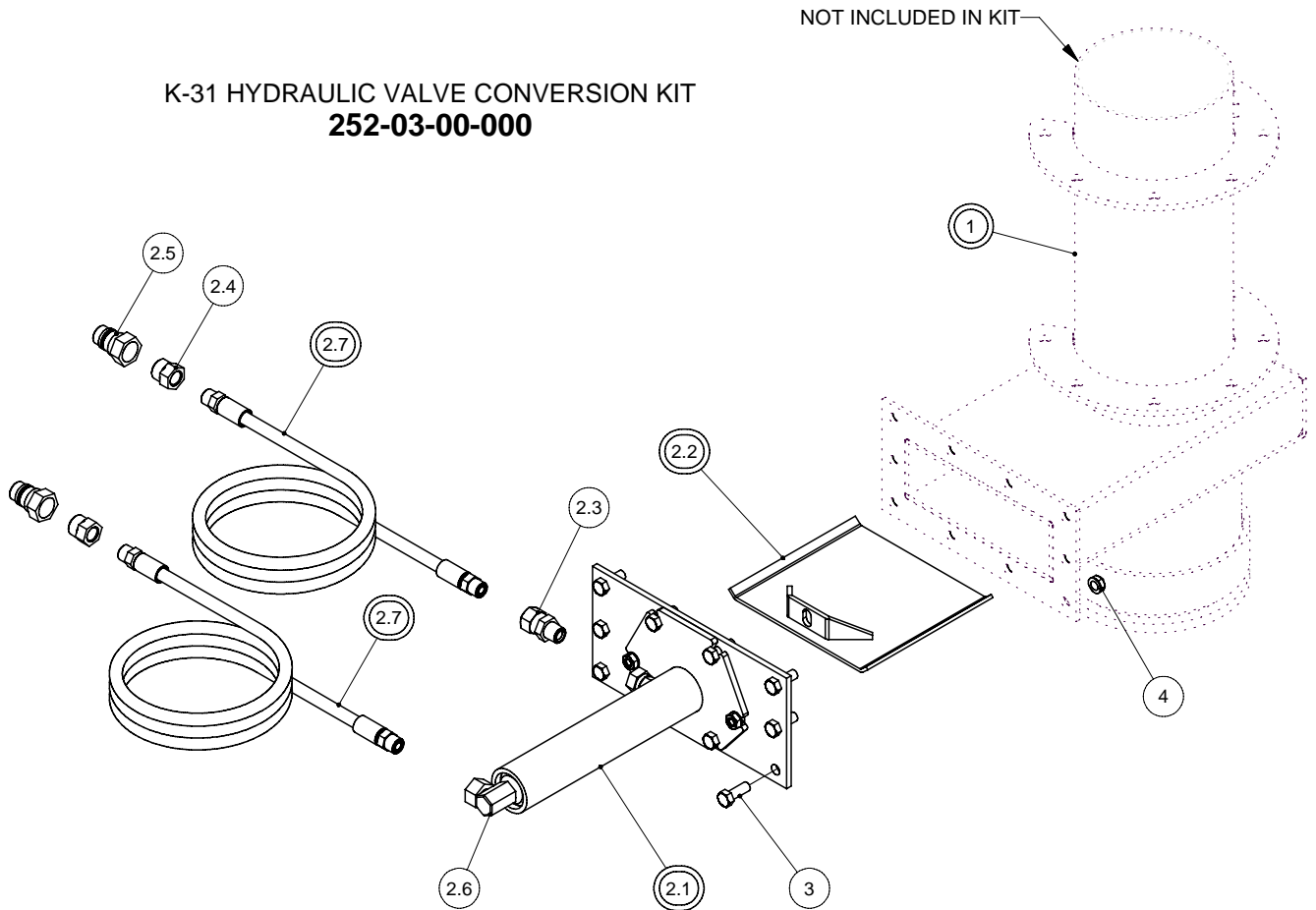
K-31 HYDRAULIC DEFLECTOR KIT 252-71-00-000



PARTS LIST				PARTS LIST			
ITEM	PART NUMBER	DESCRIPTION	QTY	ITEM	PART NUMBER	DESCRIPTION	QTY
1	252-71-02-000	DEFLECT. KIT FOR HYDRAULIC STYLE	1	1.6	R07891	7/16 2-WAY LOCK NUT	4
1.1	250-85-58-000	FLANGE & CONE ASSY	1	1.7	244-05-00-281	SPACER PIPE	4
1.1.1	242-58-48-289	CONE EXTENSION PIPE	1	1.8	R07731	7/16 x 1 UNC CARRIAGE BOLT	4
1.1.2	250-93-00-288	FLANGE	1	2	252-71-01-000	CYLINDER PIVOT ASSY	1
1.1.3	270-63-30-193	CONE HALF	2	2.1	252-71-01-410	FLANGE MOUNT PLATE	1
1.1.4	242-58-48-288	OUTER PIVOT BRACKET	2	2.2	252-71-01-411	CYLINDER PIVOT BRKT	2
1.1.5	250-85-38-198	CONE RIBS	4	3	275-15-00-000	HYDRAULIC CYLINDER ASSY	1
1.2	252-71-03-000	DEFLECT. DISCHARGE ASSY FOR HYD	1	4	244-45-00-000	HYD HOSE ASSY-CONTROL TO AXLE	2
1.2.1	250-85-59-292	RH BRACKET	1	5	242-58-00-293	CYLINDER SHAFT LUG	1
1.2.2	242-58-49-290	RH INNER PIVOT BRACKET	1	6	R07641	1/2 x 3 UNC HEX BOLT	1
1.2.3	242-58-49-291	LH INNER PIVOT BRACKET	1	7	R07885	1/2 - 2 WAY LOCK NUT	1
1.2.4	250-85-59-293	LH BRACKET	1	8	R07649	5/8 x 3 UNC HEX BOLT	1
1.2.5	242-58-49-292	EXTENSION PIPE	1	9	R07887	5/8 HEX NUT	1
1.3	R02481	4" CLAMP	2	10	R07926	5/16-18 x 1/4" SET SCREW	1
1.4	242-58-00-296	FLEX HOSE	1	11	R21336	3/8 - 18 RESTRICTOR	1
1.5	R07824	7/16 FLAT WASHER	4	12	R21339	3/8" MALE PIONEER END	2

K-31 HYD UPPER VALVE (OPTIONAL)

PARTS LIST			
ITEM	PART NUMBER	DESCRIPTION	QTY
1	250-96-02-000	UPPER VALVE & EXTENSION PIPE ASSY	1
2	252-03-00-000	UPPER HYDRAULIC VALVE CONVERSION KIT	1
2.1	252-03-01-000	UPPER HYDRAULIC CYLINDER COMPLETE	1
2.2	252-03-03-000	UPPER HYDRAULIC GATE	1
2.3	R21336	3/8 - 18 RESTRICTOR	1
2.4	R02043	BUSHING 1/2 x 3/8	2
2.5	R21342	1/2" MALE PIONEER TIP	2
2.6	R21366	3/8" x 90° NPT STREET ELBOW	1
2.7	242-35-00-000	HYDRAULIC HOSE ASSY	2
3	R07619	3/8 x 1 HEX BOLT	10
4	R07794	3/8 FLANGE NUT	10

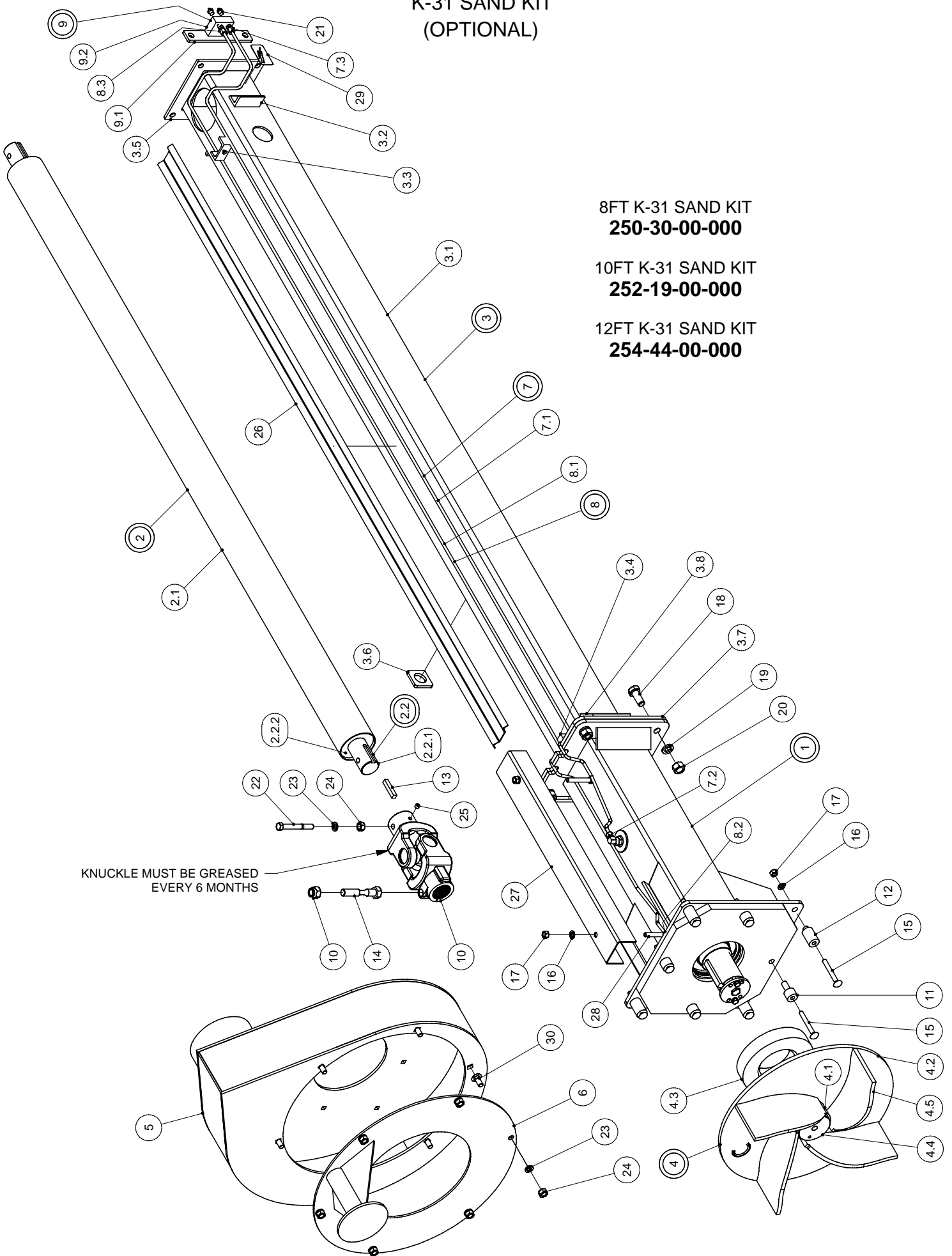


K-31 SAND KIT (OPTIONAL)

8FT K-31 SAND KIT
250-30-00-000

10FT K-31 SAND KIT
252-19-00-000

12FT K-31 SAND KIT
254-44-00-000

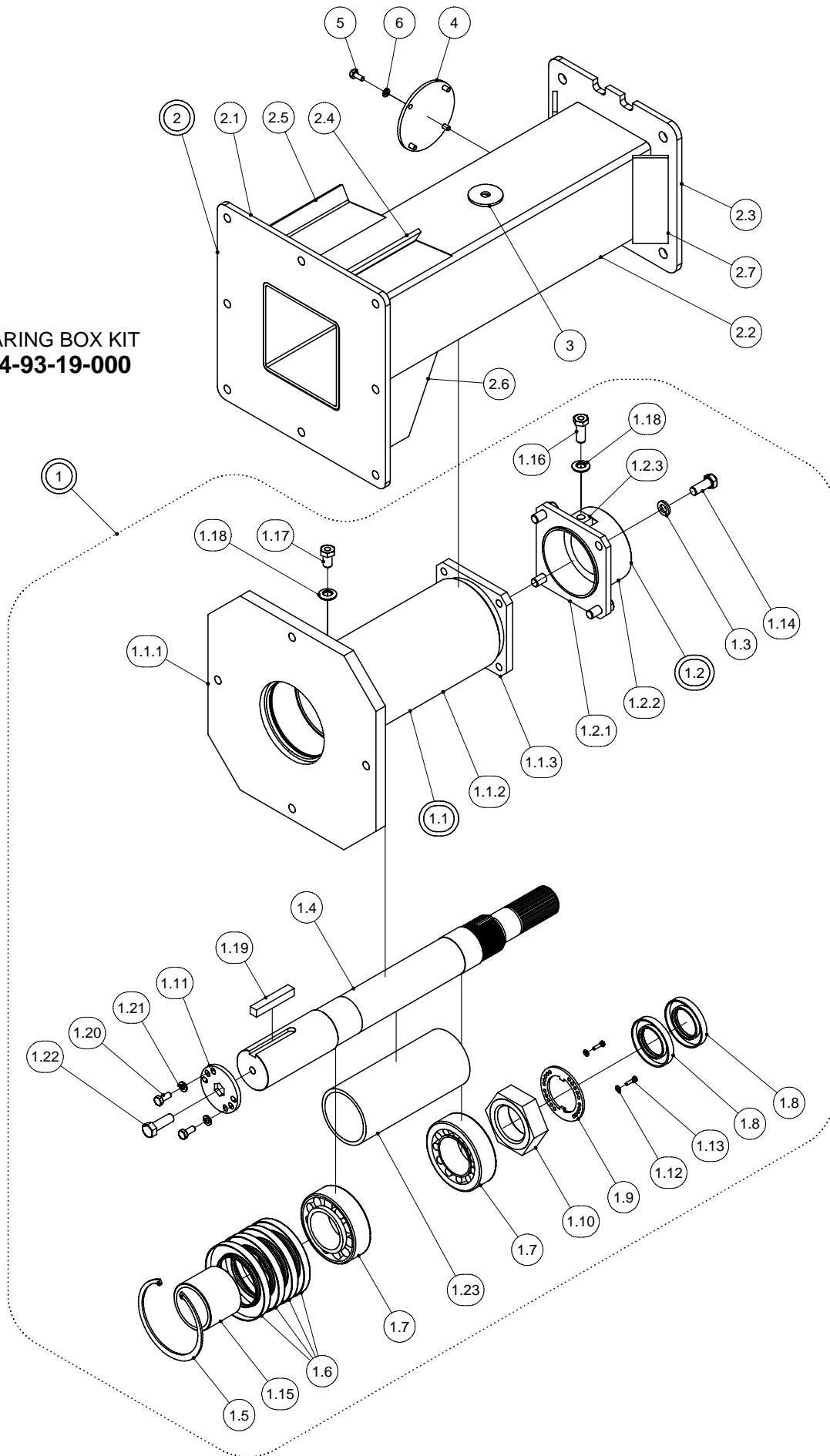


K-31 SAND KIT (OPTIONAL)

PARTS LIST				PARTS LIST			
ITEM	PART NUMBER	DESCRIPTION	QTY	ITEM	PART NUMBER	DESCRIPTION	QTY
1	244-93-19-000	BRG BOX COMPLETE w/OUTER TUBE KIT	1	7.2	R10486	1/8"M X 1/4"LINE ADAPTOR- 90°	1
				7.3	R22286	1/8" X 1/4"LINE ADAPTOR	1
2	252-19-08-000	DRIVE TUBE ASSY-12 FT PUMP	1	8	244-93-23-000	LONG GREASE LINE ASSY-12 FT PUMP	1
2	252-19-07-000	DRIVE TUBE ASSY-10 FT PUMP	1	8	244-93-21-000	LONG GREASE LINE ASSY-10 FT PUMP	1
2	252-19-06-000	DRIVE TUBE ASSY-8 FT PUMP	1	8	244-93-08-000	LONG GREASE LINE ASSY-8 FT PUMP	1
2.1	252-19-08-392	DRIVE TUBE-12 FT PUMP	1	8.1	244-93-23-556	LONG GREASE LINE-12 FT PUMP	1
2.1	252-19-07-391	DRIVE TUBE-10 FT PUMP	1	8.1	244-93-21-551	LONG GREASE LINE-10 FT PUMP	1
2.1	252-19-06-390	DRIVE TUBE-8 FT PUMP	1	8.1	244-93-08-493	LONG GREASE LINE-8 FT PUMP	1
2.2	252-19-09-000	EXTENSION SHAFT ASSY	2	8.2	R10486	1/8"M X 1/4"LINE ADAPTOR- 90°	1
2.2.1	244-93-12-508	EXTENSION SHAFT	1	8.3	R22286	1/8" X 1/4"LINE ADAPTOR	1
2.2.2	252-19-09-395	SPACER RING	2	9	252-19-05-000	GREASE LINE ADAPTOR ASSY	1
3	252-19-04-000	SHAFT TUBE ASSY - 12 FT MODEL	1	9.1	252-19-05-393	GREASE BLOCK MOUNT PLATE	1
3	252-19-03-000	SHAFT TUBE ASSY - 10 FT MODEL	1	9.2	244-93-06-490	BLOCK	1
3	252-19-02-000	SHAFT TUBE ASSY - 8 FT MODEL	1	10	242-54-00-000	KNUCKLE ASSY	1
3.1	252-19-04-385	SHAFT TUBE - 12 FT MODEL	1	11	252-19-00-381	SHORT SPACER TUBE	4
3.1	252-19-03-384	SHAFT TUBE - 10 FT MODEL	1	12	252-19-00-382	LONG SPACER SLEEVE	4
3.1	252-19-02-383	SHAFT TUBE - 8 FT MODEL	1	13	270-00-00-075	3/8 KEY - 50mm LONG	1
3.2	250-05-00-017	SPOOL HOLDER STOP	2	14	244-93-00-494	LOWER KNUCKLE BOLT	1
3.3	242-11-00-061	TIGHTENER BRACKET	1	15	R07726	3/8 x 3 UNC CARRIAGE BOLT	8
3.4	242-11-00-059	CHAIN HOLD DOWN BRACKET	1	16	R07803	3/8" LOCK WASHER	12
3.5	250-05-00-016	SHAFT TUBE FLANGE	1	17	R07783	3/8-16 UNC HEX NUT	12
3.6	244-93-02-474	LOCKING PIN PLATE	1	18	R07646	5/8 x 1 1/2 UNC HEX BOLT	4
3.7	252-19-02-386	DRIVE SHAFT TUBE END PLATE	1	19	R07806	5/8" LOCK WASHER	4
3.8	252-19-02-387	TUBE GUSSET	2	20	R07786	5/8-11 UNC HEX NUT	4
4	252-19-01-000	IMPELLER ASSY-CHT	1	21	R08186	1/8" NPT GREASE FTG	2
4.1	244-93-01-524	IMPELLER HUB	1	22	R07633	7/16 x 3 1/2 HEX BOLT	1
4.2	291-13-04-338	CHT IMPELLER BACK PLATE	1	23	R07804	7/16" LOCK WASHER	7
4.3	244-93-01-517	BACK PLATE BLOCK	1	24	R07784	7/16-14 UNC HEX NUT	7
4.4	291-13-04-340	HUB CAP	1	25	R07909	3/8 x 3/8 SET SCREW	1
4.5	252-05-01-415	CHT IMPELLER BLADE-2007	4	26	244-93-00-574	GREASE LINE COVER-12FT PUMP	1
5	252-06-00-000	CHT FAN HOUSING ASSY	1	26	244-93-00-571	GREASE LINE COVER-10FT PUMP	1
6	252-05-02-000	CHT COVER PLATE ASSY-2007	1	26	244-93-00-573	GREASE LINE COVER-8FT PUMP	1
7	244-93-22-000	SHORT GREASE LINE ASSY-12 FT PUMP	1	27	244-93-00-568	LOWER GREASE LINE COVER	1
7	244-93-20-000	SHORT GREASE LINE ASSY-10 FT PUMP	1	28	R07622	3/8 x 2 1/2 UNC HEX BOLT	2
7	244-93-07-000	SHORT GREASE LINE ASSY-8 FT PUMP	1	29	R09661	GREASE DAILY 10 PUMPS - DECAL	1
7.1	244-93-22-555	SHORT GREASE LINE-12 FT PUMP	1	30	R07731	7/16 x 1 UNC CARRIAGE BOLT	6
7.1	244-93-20-553	SHORT GREASE LINE-10 FT PUMP	1				
7.1	244-93-07-492	SHORT GREASE LINE-8 FT PUMP	1				

BEARING BOX KIT

BEARING BOX KIT
244-93-19-000



BEARING BOX KIT

PARTS LIST			
ITEM	PART NUMBER	DESCRIPTION	QTY
1	244-93-05-000	SHAFT,BRGS,SEALS & TUBE ASSY	1
1.1	244-93-03-000	INNER BEARING TUBE ASSY	1
1.1.1	244-93-03-475	LOWER TUBE FLANGE	1
1.1.2	244-93-03-476	INNER BRG TUBE	1
1.1.3	244-93-03-477	INNER BEARING TUBE FLANGE	1
1.2	244-93-04-000	SEAL HOLDER ASSY	1
1.2.1	244-93-04-478	SEAL HOLDER FLANGE	1
1.2.2	244-93-04-479	SEAL HOLDER TUBE	1
1.2.3	244-93-04-562	THREADED LUG	1
1.3	R07805	1/2 LOCK WASHER	4
1.4	244-93-00-480	IMPELLER SHAFT	1
1.5	R08347	SPRING RETAINING RING	1
1.6	R22304	75 X 120 X 12 SINGLE LIP SEAL	4
1.7	R20593	TAPER ROLLER BEARING	2
1.8	R22525	45 x 75 x 10 METRIC SEAL	2
1.9	291-13-00-334	LOCK COLLAR	1
1.10	291-13-00-333	JAM NUT	1
1.11	244-93-00-499	IMPELLER BOLT LOCK PLATE	1
1.12	R08353	#10 LOCK WASHER	2
1.13	R08352	#10 X 3/4" HEX CAP SCREW	2
1.14	R07861	1/2 X 1 1/4" -20 UNF HEX BOLT	4
1.15	R22448	S.S.HARDENED SEAL COLLAR	1
1.16	244-93-00-482	LONG GREASE BOLT	1
1.17	244-93-00-483	SHORT GREASE BOLT	1
1.18	R07843	1/2" SEALING WASHER	2
1.19	244-93-00-518	1/2 X 3" KEY	1
1.20	R08224	5/16 x 3/4 SS UNC HEX BOLT	2
1.21	R08250	5/16" SS LOCK WASHER	2
1.22	R08437	1/2 x 1 1/2 HEX BOLT-GR L9	1
1.23	244-93-05-563	FILLER PIPE	1
2	244-93-15-000	OUTER BEARING BOX ASSY	1
2.1	242-82-00-204	LOWER SHAFT TUBE FLANGE	1
2.2	244-93-15-513	OUTER BRG BOX	1
2.3	244-93-15-570	DRIVE SHAFT TUBE END PLATE	1
2.4	242-82-00-415	RH GUSSET STOP PLATE	1
2.5	242-11-00-057	LH GUSSET STOP PLATE	1
2.6	242-11-00-058	SHAFT TUBE GUSSET	2
2.7	242-11-00-064	TUBE GUSSET	2
3	244-93-00-519	WASHER	2
4	244-93-00-523	COVER PLATE	1
5	R08233	1/4 x 5/8 SS HEX CAP SCREW	4
6	R08234	1/4 S.S. LOCK WASHER	4

K-31 PTO

PARTS LIST				
ITEM	MFG #	PART NUMBER	DESCRIPTION	QTY
1	572060351	R21651	1 3/8" 6T QD YOKE - 540 RPM	1
	572063751	R21652	1 3/8" 21T QD YOKE - 1000 RPM	*
2	41206	R21653	CROSS JOURNAL ASSY	2
3	3380200000	R21654	CIRCLIP	8
4	348004000	R21655	GREASE NIPPLE	2
5	204066851	R21656	OUTER TUBE YOKE	1
6	341-042000	R21657	FLEXIBLE PIN	1
7	225211496	R21658	CARDAN TUBE	1
8	225161496	R21659	CARDAN TUBE	1
9	341043000	R21660	FLEXIBLE TUBE	1
10	204066852	R21661	INNER TUBE YOKE	1
11	606604001	R21662	TORQUE LIM SB6/6	1
12	255060005	R21663	O. BEARING 6-7	1
13	517050071	R21664	O. CONE SETS N5-6-7	1
14	236831436	R21665	SAFETY TUBE	1
15	236821436	R21666	SAFETY TUBE	1
16	517050061	R21667	I. CONE SETS N5-6-7	1
17	255060006	R21668	I. BEARING 6-7	1
18	403000001	R21669	COMPLETE PUSH BUTTON	1
19	240080061	R21670	HUB	1
20	213060020	R21671	YOKE	1
21	348012000	R21672	GREASE NIPPLE	1
22	362003000	R21539	5/16 BALL	24
23	513080336	R21674	HUB c/w QD	1
24	401000001	R21451	COMPLETE PUSH BUTTON	1
25		R21603	M10-1.5 x 60 HEX BOLT	1
26		R21605	M10-1.5 NYLON LOCK NUT	1
27	5N06166NN	R21679	SAFETY GUARD	1
28		R21523	"SHIELD MISSING" DECAL	1
29		R21521	"DANGER ROTATING DRIVELINE" DECAL	1
30		R21738	SHIELD TIE CHAIN	2

