

DATE PURCHASED _____ MACHINE SERIAL NO. _____

SIZE OF PUMP _____ OPTIONS _____

*Official copy
April 26/91
20 made
10 made
Sept 18/91*

PLEASE NOTE:

The key number system in this parts book is arranged as follows:

- 0 --Key number with one circle denotes main assemblies
- Key numbers not circled are individual parts

Please order parts by number

HUSKY

PROPELLER AGITATOR

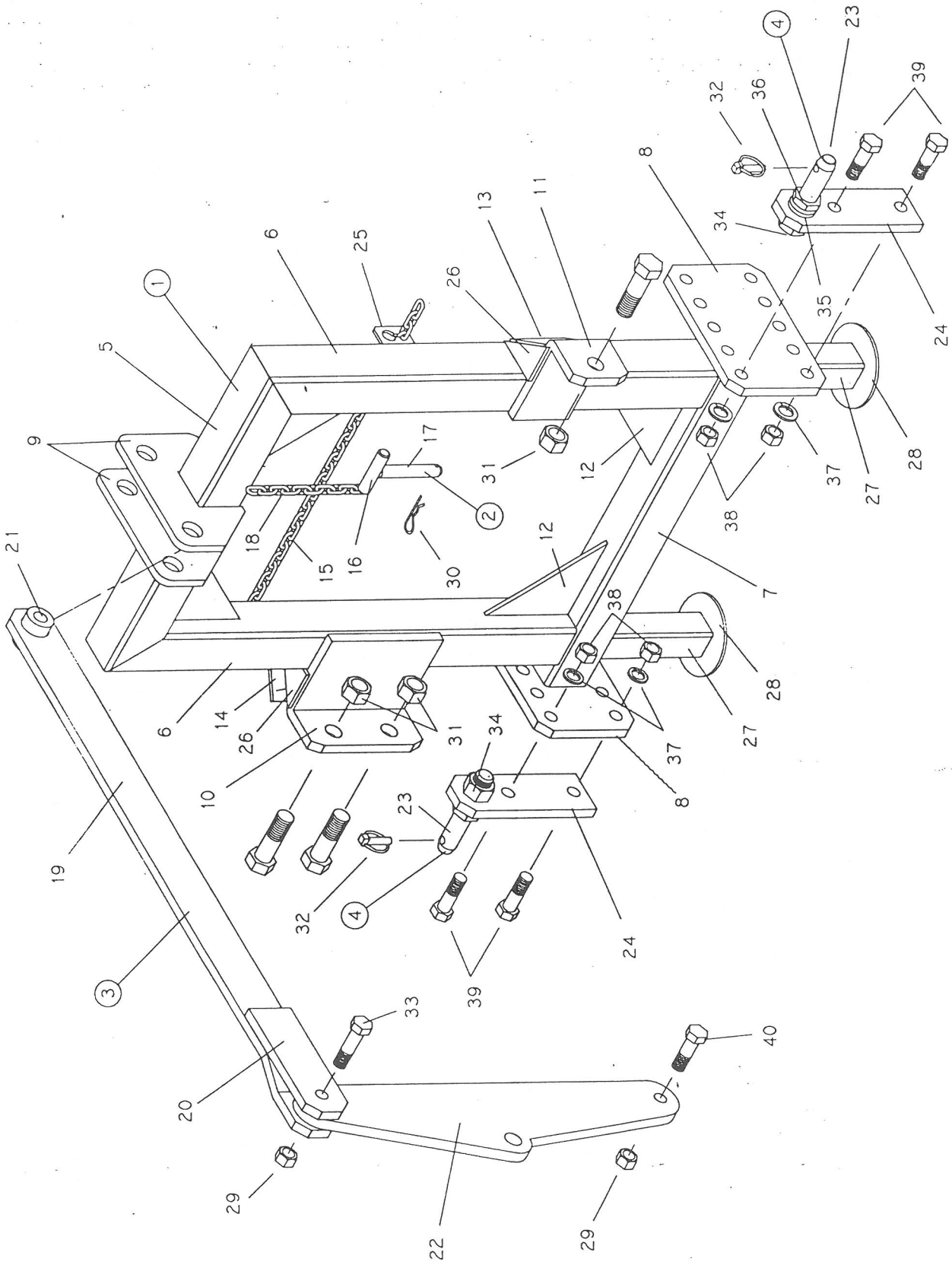
OPERATING INSTRUCTIONS:

We welcome you as an owner of a Husky Propeller Agitator. These machines will last a long time with a very minimum of maintenance time. We suggest you move the machine from the pit when not in use and simply wash it off. The bottom bearing is a manure type bearing which is lubricated with the manure itself and needs no further maintenance.

With the Hydraulic Cylinder on the top of the prop it is possible, by removing a pin, to hinge the prop in the middle allowing flexibility for getting through concrete lids etc. Make sure when in use that the P.T.O. knuckles are both taking equal amount of bend otherwise propeller might vibrate.

CAUTION:

Do not enter a manure pit storage or spreader at any time while there is danger of gas from the manure. Have a ladder in your pit, so that if by accident you should fall in, you can get out again. Keep all lids closed and open pits fenced to keep children and animals out.



HITCH & FRAME

<u>KEY</u>	<u>PART NUMBER</u>	<u>DESCRIPTION</u>	<u>QTY</u>
1	280-20-00-000	HITCH FRAME	1
2	280-20-03-000	TEE BAR ASSY	1
3	280-21-00-000	UPPER LIFT ARM ASSY	1
4	270-56-00-000	HITCH PIN COMPLETE	2

5	280-20-00-058	HITCH TOP MEMBER	1
6	280-20-00-059	HITCH SIDE MEMBER	2
7	280-20-00-060	HITCH BOTTOM MEMBER	1
8	280-20-00-061	HITCH ADJUSTMENT PLATE	2

9	280-20-00-062	UPPER LINK CONNECTOR PLATE	2
10	280-20-00-063	R H PIVOT BRKT	1
11	280-20-00-064	L H PIVOT BRKT	1
12	280-20-00-065	HITCH FRAME GUSSET	4

13	280-20-00-066	L H PIVOT BRKT GUSSET	1
14	280-20-00-067	R H PIVOT BRKT GUSSET	1
15	280-20-00-068	PTO SUPPORT CHAIN	1
16	280-20-03-069	TEE BAR HANDLE	1

17	280-20-03-070	TEE BAR SHAFT	1
18	280-20-03-071	TEE BAR CHAIN	1
19	280-21-00-072	UPPER LIFT ARM	1
20	280-21-00-073	UPPER LIFT ARM BRKT	1

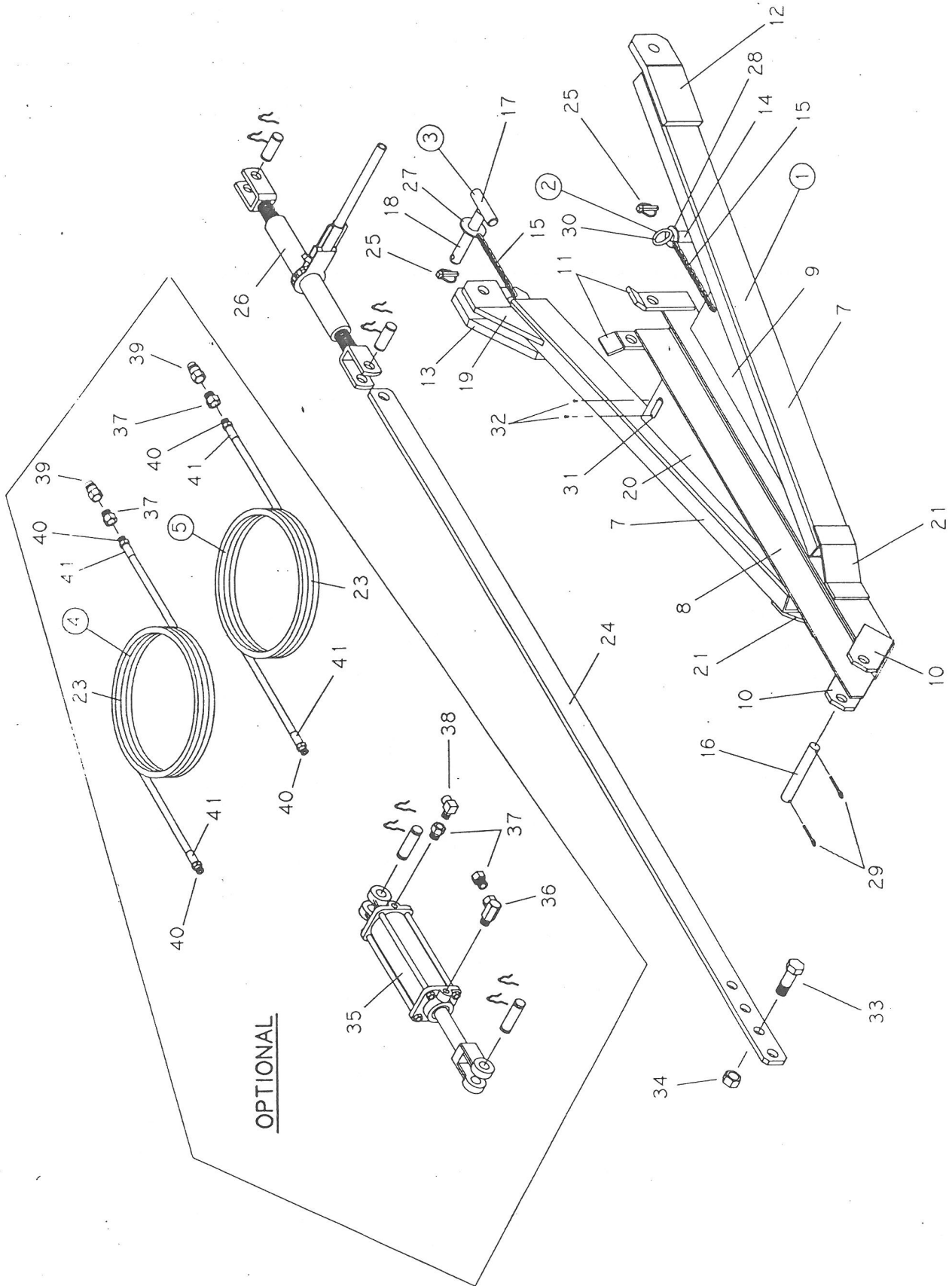
21	280-21-00-074	UPPER LIFT ARM SLEEVE	1
22	280-00-00-096	LOWER LIFT ARM	1
23	270-56-00-160	HITCH PIN	2
24	280-00-00-085	HITCH PLATE	2

25	280-20-00-097	PTO CHAIN FASTENER	1
26	280-20-00-095	HITCH FRAME GUSSET	4
27	280-20-00-101	STAND TUBE	2
28	280-20-00-102	STAND FOOT	2

29	R07781	3/4 HEX LOCK NUT	2
30	R07948	5/32 HAIRPIN	1
31	R07882	1" HEX LOCK NUT	3
32	R08040	2-18 LYNCH PIN	2

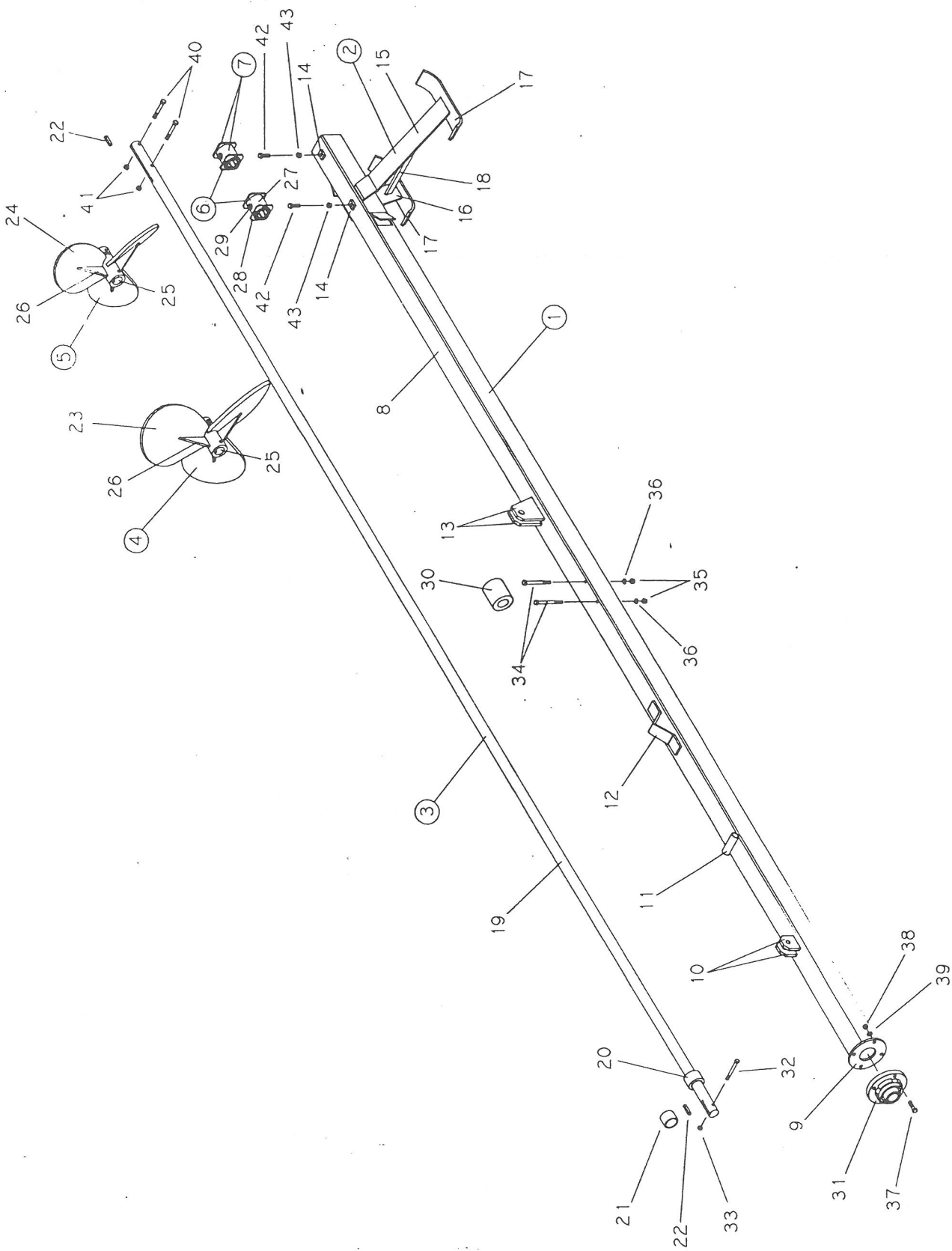
33	R07656	3/4 X 3 HEX BOLT	1
34	R07798	1 1/8 - 12 UNF HEX NUT	2
35	R07810	1 1/8 LOCKWASHER	2
36	R07796	1 1/8 - 12 UNF HEX JAM NUT	2

37	R07807	3/4 LOCK WASHER	4
38	R07787	3/4 HEX NUT	4
39	R07655	3/4 X 2 1/2 HEX HD BOLT	5
40	R07663	1 X 3 HEX BOLT	2



LIFT FRAME ASSEMBLY

<u>KEY</u>	<u>PART NUMBER</u>	<u>DESCRIPTION</u>	<u>QTY</u>
1	280-23-00-000	LIFT FRAME ASSY	1
2	280-23-04-000	HOLD DOWN PIN ASSY	1
3	280-23-05-000	PIVOT BRKT PIN ASSY	1
4	242-34-00-000	HYDRAULIC HOSE ASSY	1
5	242-35-00-000	HYDRAULIC HOSE ASSY	1
6	280-30-00-000	OPTIONAL HYDRAULIC KIT	1
7	280-23-00-077	LOWER LIFT ARMS	2
8	280-23-00-078	MAIN TUBE SEAT	1
9	280-23-00-079	LOWER LIFT ARM GUSSET	1
10	280-23-00-080	PIVOT PIN BRKT	2
11	280-23-00-081	HOLD DOWN PIN BRKT	2
12	280-23-00-082	L.H. LOWER LIFT ARM BRKT	1
13	280-23-00-083	R.H. LOWER LIFT ARM BRKT	1
14	280-23-04-084	HOLD DOWN PIN	1
15	280-20-03-071	CHAIN	2
16	280-00-00-089	PIVOT PIN	1
17	280-23-05-091	PIVOT BRKT PIN HANDLE	1
18	280-23-05-092	PIVOT BRKT PIN	1
19	280-23-00-093	PIVOT BRKT	1
20	280-23-00-094	R.H. LOWER LIFT ARM GUSSET	1
21	280-23-00-103	LIFT ARM BRACE	2
22	242-34-00-158	HYDRAULIC HOSE	1
23	242-35-00-159	HYDRAULIC HOSE	1
24	280-00-00-090	CYLINDER ADJUSTMENT BAR	1
25	R08040	LYNCH PIN	2
26	R09545	RATCHET JACK DC-20	1
27	R07828	1" FLAT WASHER	1
28	R07827	3/4" FLAT WASHER	1
29	R08013	3/16 X 2 COTTER PIN	2
30	R07925	PLATED RING	1
31	R09071	SERIAL NUMBER	1
32	R08162	DRIVE SCREWS	2
33	R07663	1" X 3 HEX BOLT	1
34	R07882	1" HEX LOCK NUT	1
35	R20727	3 X 8 HYDRAULIC CYLINDER	1
36	R21335	90 DEG RESTRICTOR	1
37	R02043	1/2 X 3/8 BUSHING	4
38	R21367	1/2 X 90 DEGREE STEEL ELBOW	1
39	R21342	1/2" PIONEER COUPLING	2
40	R20803	3/8-18 NPT SOLED MALE STEM	4
41	R20805	3/4" FERRULE	4



DRIVE SHAFT, HUB AND PROPELLER

<u>KEY</u>	<u>PART NUMBER</u>	<u>DESCRIPTION</u>	<u>QTY</u>
1	280-26-00-000	DRIVE SHAFT TUBE ASSY - 20 FT.	1
	282-28-00-000	DRIVE SHAFT TUBE ASSY - 24 FT.	1
2	280-08-00-000	REAR SUPPORT ASSY	1
3	280-27-00-000	DRIVE SHAFT ASSY - 20 FT.	1

	282-29-00-000	DRIVE SHAFT ASSY - 24 FT.	1
4	280-15-00-000	540 RPM HUB & PROP ASSY.	1
5	280-16-00-000	1000 RPM HUB & PROP ASSY.	1
6	280-25-00-000	SHORT BRG & HOLDER COMPLETE	2

7	280-24-00-000	SHORT BRG HOLDER ASSY	2
8	280-26-00-104	DRIVE SHAFT TUBE 20 FT	1
	282-28-00-106	DRIVE SHAFT TUBE 24 FT	1
9	280-04-00-051	BEARING FLANGE	1

10	280-04-00-086	LIFT ARM LUG	2
11	280-04-00-087	PIVOT PIN ASSY	1
12	300-01-00-012	LIFT HOOK	1
13	280-04-00-088	CYLINDER BAR BRKT	2

14	250-05-00-126	SS. SET SCREW LUG	2
15	280-08-00-037	R H. REAR SUPPORT LEG	1
16	280-08-00-038	L H. REAR SUPPORT LEG	1
17	280-08-00-039	REAR SUPPORT PADS	2

18	280-08-00-040	LEG BRACE	1
19	280-27-00-105	DRIVE SHAFT 20 FT.	1
	282-29-00-107	DRIVE SHAFT 24 FT.	1
20	280-05-00-031	THRUST BLOCK	1

21	280-00-00-052	SPACER PIPE	1
22	270-00-00-075	3/8 X 3/8 X 2 KEY	2
23	280-15-00-049	PROPELLOR BLADE -540 RPM	3
24	280-16-00-050	PROPELLOR BLADE -1000 RPM	3

25	280-07-00-034	PROPELLOR HUB	1
26	280-07-00-035	PROPELLOR GUSSET	3
27	280-24-00-098	BEARING SLEEVE	2
28	280-24-00-099	BEARING SLEEVE FLANGE	4

29	280-24-00-100	SET SCREW SLEEVE	2
30	R20232	1 7/8 WOOD BRG	1*
31	R20206	1 3/4 FLANGE SPHERICAL ROLLER BEARING	1
32	R07634	7/16 X 4 HEX BOLT	1

33	R07891	7/16 - 2 WAY LOCKNUT	1
34	R07626	3/8 X 5 HEX BOLT	2*
35	R07783	3/8 HEX NUT	2*
36	R07803	3/8 LOCK WASHER	2*

37	R07639	1/2 X 2 HEX BOLT	4
38	R07785	1/2 HEX NUT	4
39	R07805	1/2" LOCK WASHER	4
40	R07642	1/2 X 3 1/2 HEX BOLT	2

41	R07885	1/2" LOCK NUT	2
42	R07743	1/2 X 1 1/2 HEX BOLT	2
43	R08046	1/2" JAM NUT	2

* DOUBLE FOR 24 FOOT PROP

1480 SERIES PTO

KEY	PART #	MFG #	DESCRIPTION	TECH. DATA	QTY
1	R21553	3.4X010711	END YOKE 540 RPM	1.375-6 SPL QD	1
	R21556	3.4X010731	END YOKE 1000 RPM	1.375-21 SPL QD	*
2	R20385	HM.188	CROSS & BEARING KIT		2
3	R21551	3.82.448X02010	YOKE & BAR ASSY		1
4	R21519	27958400	SHIELD BEARING		2
5	R21521	383333	OUTER DECAL ON ITEM 6		1
6	R20427	229265X0.15	OUTER SHIELD ASSYL = 381 MM		1
7	R20428	229266X0.7	INNER SHIELD ASSYL = 389 MM		1
8	R21517	27961600	SLEEVE BEARING		4
9	R21523	383334	INNER DECAL		1
10	R21554	229014X0.1624	SLEEVE, TUBE & PLATE ASSY		1
11	R21555	3.4X0.1523	YOKE & FLANGE PLATE ASSY	1.375-6 SPL	1
12	R20384	3.400.1213	Q.D. PIN SERVICE KIT		1
13	R21526	27942600	ZERK		2
14	R07613	50039700.18	5/16 X 2 HEX BOLT GRADE 5		2
15	R07782	27890500	5/16 HEX NUT		2
16	R20395	3027200.4	THRUST WASHER		1
17	R20393	27877000	RETAINING RING		1
18	R20387	3.1600.203	SHIELD SUPPORT BEARING		1
19	R21528	229291X0	Q.D. PIN KIT - IN ITEM		1

540 RPM - R20371
1000 RPM- R20372

