

Office Copy

OCT 4. 1996 - 15mad

Oct 28/96 - 6 "

Apr 30/97 - 3 "

Oct 2/97 - 5 "

Oct 3/97 - 5 "

March 19/98 - 5 "

Apr 15/98 - 5 "

Date Purchased \_\_\_\_\_ Machine Serial No. \_\_\_\_\_

Size of Pump \_\_\_\_\_ Options \_\_\_\_\_

PLEASE NOTE:

The key number system in this parts book is arranged as follows:

- 0 -- Key number with one circle denotes main assemblies
- Key Numbers not circled are individual parts.

Please order parts by number

PROPELLER AGITATOR

HUSKY LIQUID MANURE PUMP

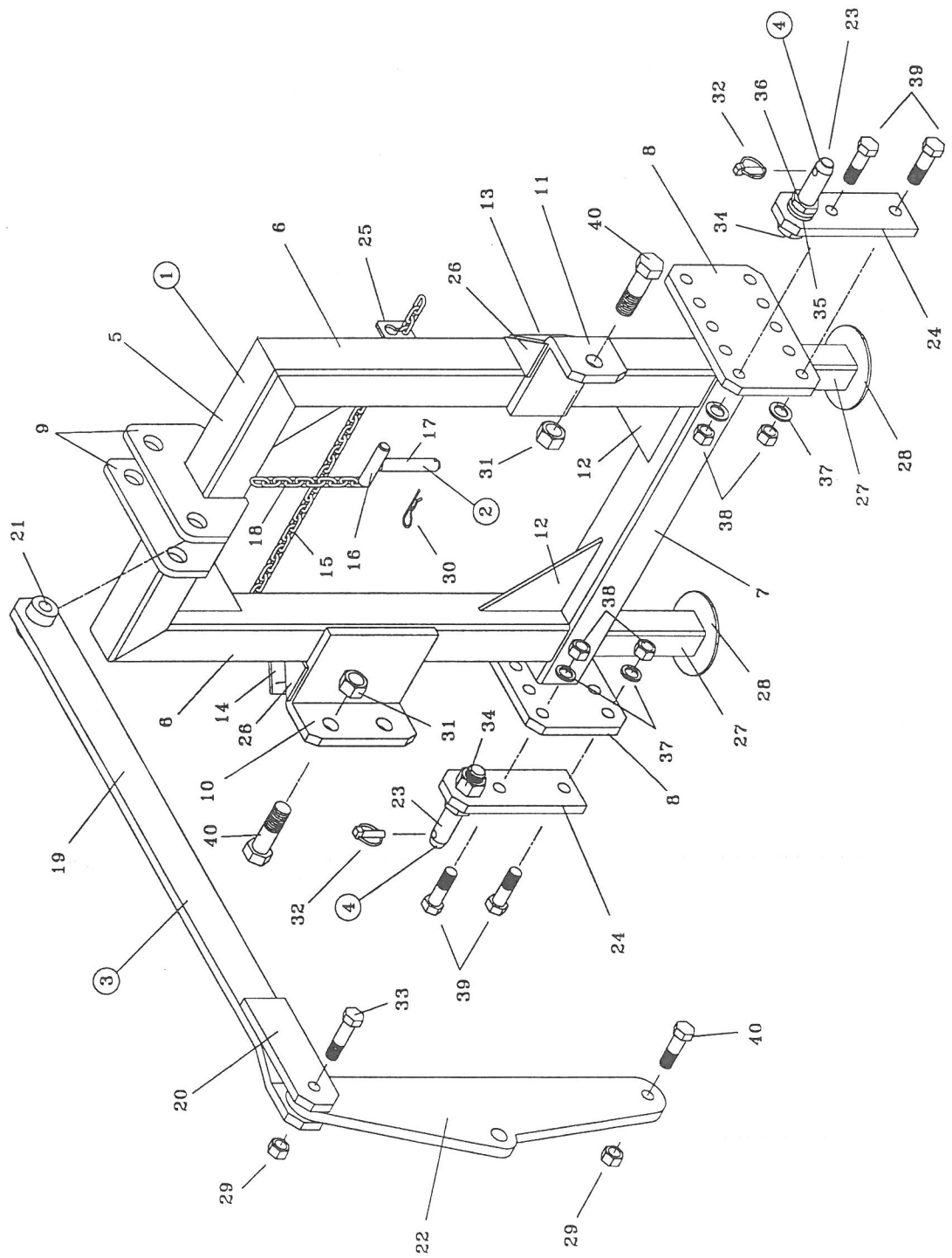
OPERATING INSTRUCTIONS:

We welcome you as an owner of a Husky Propeller Agitator. These machines will last a long time with a very minimum of maintenance time. We suggest you move the machine from the pit when not in use and simply wash it off. The bottom bearing is a manure type bearing which is lubricated with the manure itself and needs no further maintenance.

With the Hydraulic Cylinder on the top of the prop it is possible, by removing a pin, to hinge the prop in the middle allowing flexibility for getting through concrete lids etc. Make sure when in use that the P.T.O. knuckles are both taking equal amount of bend otherwise propeller might vibrate.

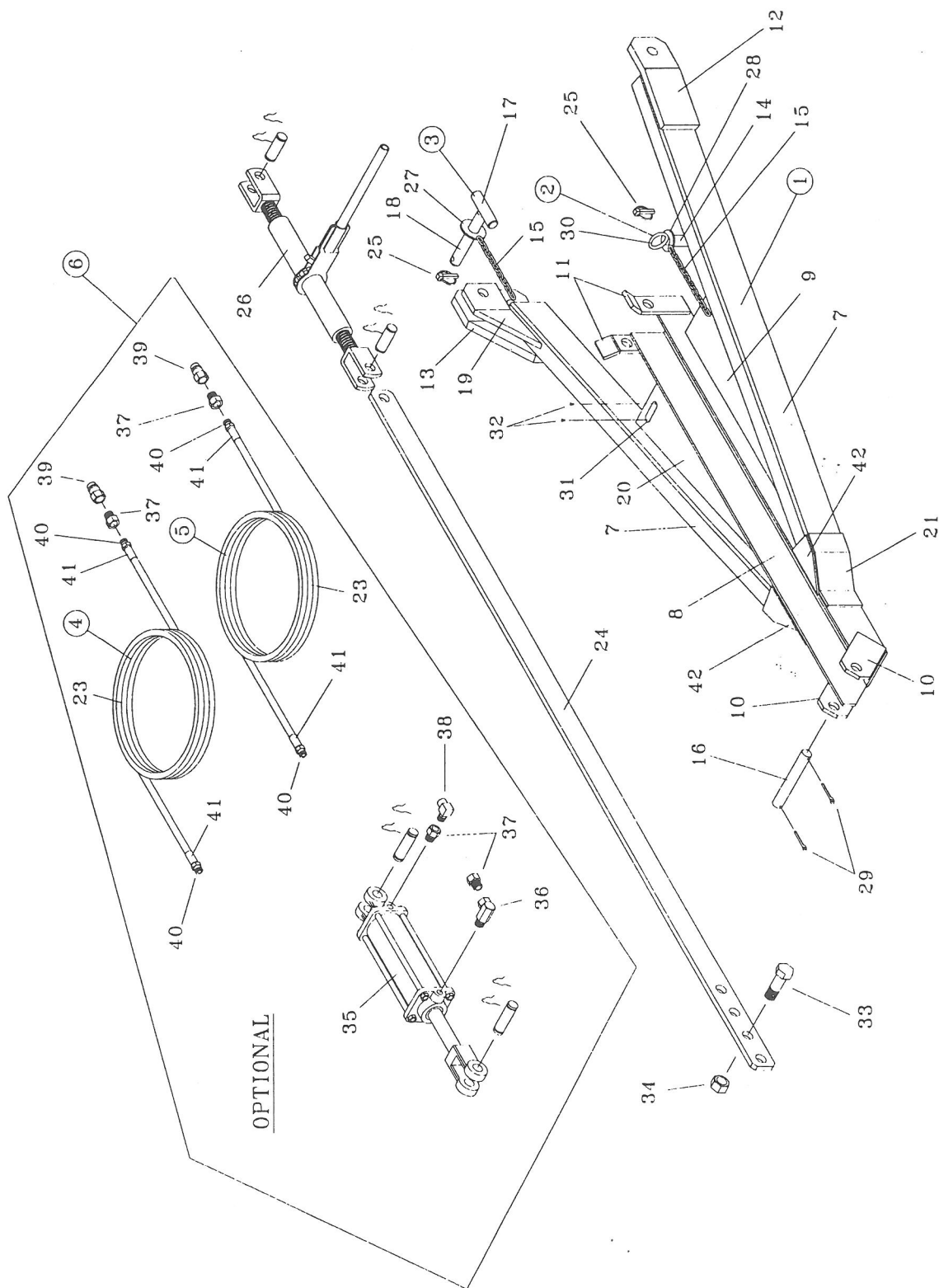
CAUTION:

Do not enter a manure pit storage or spreader at any time while there is danger of gas from the manure. Have a ladder in your pit, so that if by accident you should fall in, you can get out again. Keep all lids closed and open pits fenced to keep children and animals out.



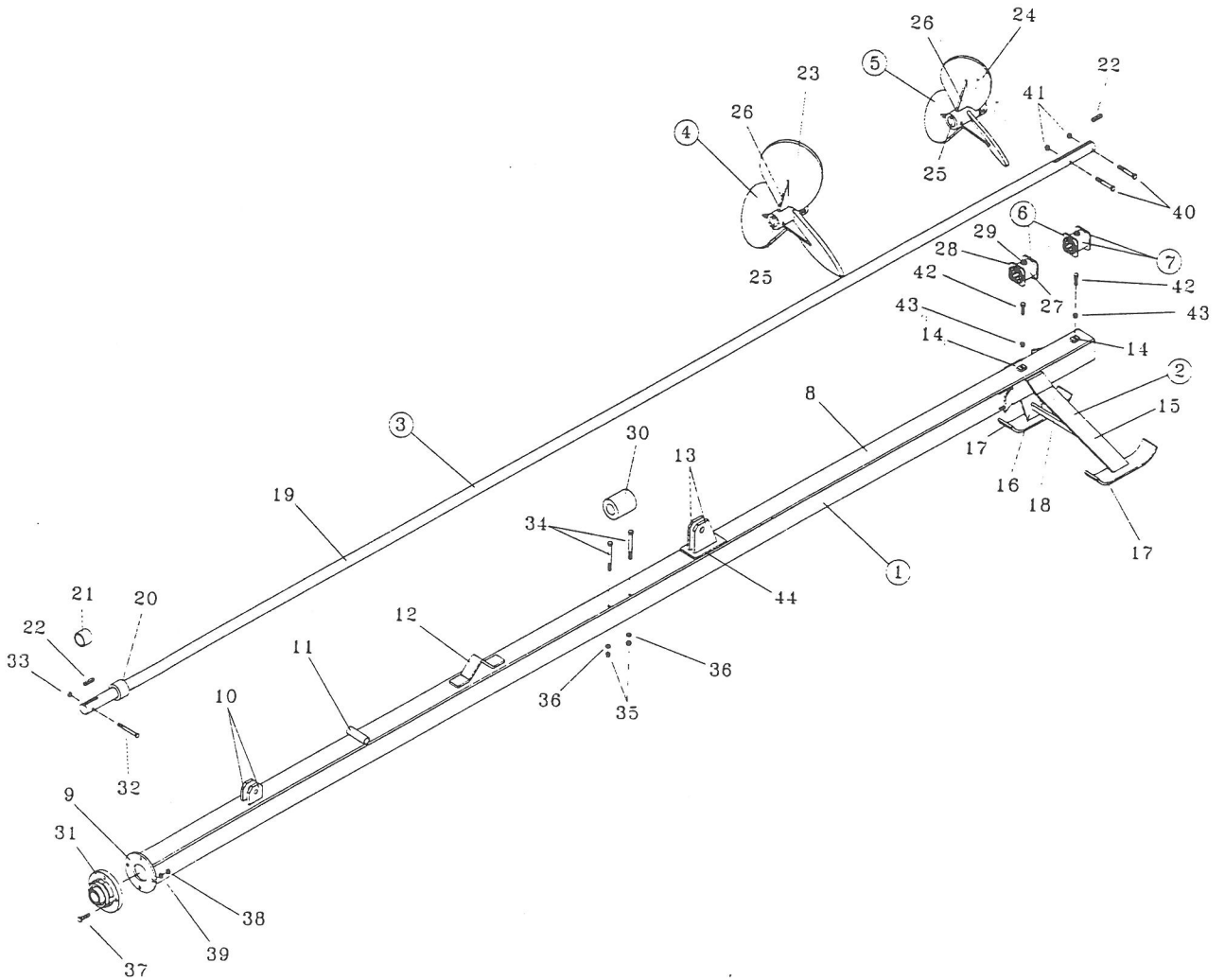
HITCH & FRAME

<u>KEYS</u>	<u>PARTS NUMBER</u>	<u>DESCRIPTION</u>	<u>QTY</u>
1	280-20-00-000	Hitch Frame	1
2	280-20-03-000	Tee Bar Assembly	1
3	280-21-00-000	Upper Lift Arm Assy.	1
4	270-56-00-000	Hitch Pin Complete	2
5	280-20-00-058	Hitch Top Member	1
6	280-20-00-059	Hitch Side Member	2
7	280-20-00-060	Hitch Bottom Member	1
8	280-20-00-061	Hitch Adjustment Plate	2
9	280-20-00-062	Upper Link Connector Plate	2
10	280-20-00-063	RH Pivot Bracket	1
11	280-20-00-064	LH Pivot Bracket	1
12	280-20-00-065	Hitch Frame Gusset	4
13	280-20-00-066	LH Pivot Bracket Gusset	1
14	280-20-00-067	RH Pivot Bracket Gusset	1
15	280-20-00-068	PTO Support Chain	1
16	280-20-03-069	Tee Bar Handle	1
17	280-20-03-070	Tee Bar Shaft	1
18	280-20-03-071	Tee Bar Chain	1
19	280-21-00-072	Upper Lift Arm	1
20	280-21-00-073	Upper Lift Arm Brkt	1
21	280-21-00-074	Upper Lift Arm Sleeve	1
22	280-00-00-096	Lower Lift Arm	1
23	270-56-00-160	Hitch Pin	2
24	280-00-00-085	Hitch Plate	2
25	280-20-00-097	PTO Chain Fastener	1
26	280-20-00-095	Hitch Frame Gusset	4
27	280-20-00-101	Stand Tube	2
28	280-20-00-102	Stand Foot	2
29	R07781	3/4 Hex Lock Nut	2
30	R07948	5/32 Hairpin	1
31	R07882	1" Hex Lock Nut	3
32	R08040	2-18 Lynch Pin	2
33	R07656	3/4 x 3 Hex Bolt	1
34	R07798	1 1/8 - 12 UNF Hex Nut	2
35	R07810	1 1/8 Lockwasher	2
36	R07796	1 1/8 - 12 UNF Hex Jam Nut	2
37	R07807	3/4 Lockwasher	4
38	R07787	3/4 Hex Nut	4
39	R07655	3/4 x 2 1/2 Hex Hd Bolt	5
40	R07663	1 x 3 Hex Bolt	2



DRIVE SHAFT, HUB & PROPELLER

<u>KEYS</u>	<u>PARTS NUMBER</u>	<u>DESCRIPTION</u>	<u>QTY</u>
1	280-26-00-000	Drive Shaft Tube Assy. - 20 Ft.	1
	282-28-00-000	Drive Shaft Tube Assy. - 24 Ft.	1
2	280-08-00-000	Rear Support Assy.	1
3	280-27-00-000	Drive Shaft Assy. - 20 Ft.	1
<hr/>			
	282-29-00-000	Drive Shaft Assy. - 24 Ft.	1
4	280-15-00-000	540 RPM Hub & Prop Assy.	1
5	280-16-00-000	1000 RPM Hub & Prop Assy.	1
6	280-25-00-000	Short Brg. & Holder Complete	2
<hr/>			



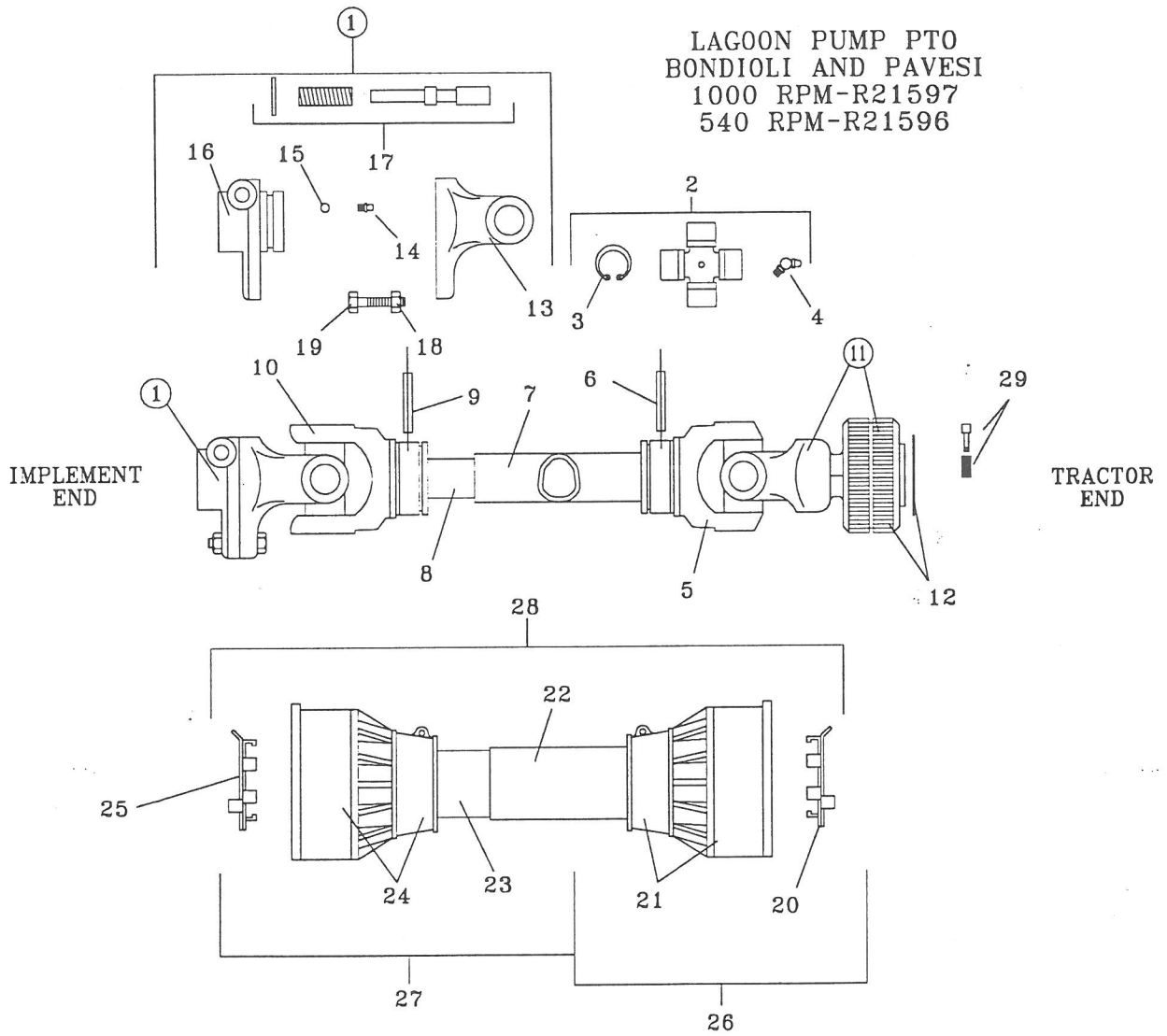
## LIFT FRAME ASSEMBLY

<u>Keys</u>	<u>Parts Number</u>	<u>Description</u>	<u>Qty</u>
1	280-23-00-000	Lift Frame Assembly	1
2	280-23-04-000	Hold Down Pin Assy.	1
3	280-23-05-000	Pivot Bracket Pin Assy.	1
4	242-34-00-000	Hydraulic Hose Assy.	1
5	242-35-00-000	Hydraulic Hose Assy.	1
6	280-30-00-000	Optional Hydraulic Kit	1
7	280-23-00-077	Lower Lift Arms	2
8	280-23-00-078	Main Tube Seat	1
9	280-23-00-079	Lower Lift Arm Gusset	1
10	280-23-00-080	Pivot Pin Brkt	2
11	280-23-00-081	Hold Down Pin Brkt	2
12	280-23-00-082	L.H. Lower Lift Arm Brkt	1
13	280-23-00-083	R.H. Lower Lift Arm Brkt	1
14	280-23-04-084	Hold Down Pin	1
15	280-20-03-071	Chain	2
16	280-00-00-089	Pivot Pin	1
17	280-23-05-091	Pivot Brkt Pin Handle	1
18	280-23-05-092	Pivot Brkt Pin	1
19	280-23-00-093	Pivot Brkt	1
20	280-23-00-094	RH Lower Lift Arm Gusset	1
21	280-23-00-103	Lift Arm Brace	2
22	242-34-00-158	Hydraulic Hose	1
23	242-35-00-159	Hydraulic Hose	1
24	280-00-00-090	Cylinder Adjustment Bar	1
25	R08040	Lynch Pin	2
26	R09545	Ratchet Jack DC-20	1
27	R07828	1" Flat Washer	1
28	R07827	3/4" Flat Washer	1
29	R08013	3/16 x 2 Cotter Pin	2
30	R07925	Plated Ring	1
31	R09071	Serial Number	1
32	R08162	Drive Screws	2
33	R07663	1" x 3 Hex Bolt	1
34	R07882	1" Hex Lock Nut	1
35	R20727	3 x 8 Hydraulic Cylinder	1
36	R21335	90 Deg. Restrictor	1
37	R02043	1/2 x 3/8 Bushing	4
38	R21367	1/2 x 90 Degree Steel Elbow	1
39	R21342	1/2" Pioneer Coupling	2
40	R20803	3/8-18 NPT Solid Male Stem	4
41	R21237	Ferrule	4
42	280-23-00-110	Filler Plate	Z

**DRIVE SHAFT, HUB & PROPELLER CONTINUED**

<u>Keys</u>	<u>Parts Number</u>	<u>Description</u>	<u>Qty</u>
7	280-24-00-000	Short Brg Holder Assy.	2
8	280-26-00-104	Drive Shaft Tube 20 Ft.	1
	282-28-00-106	Drive Shaft Tube 24 Ft.	1
9	280-04-00-051	Bearing Flange	1
10	280-04-00-086	Lift Arm Lug	2
11	280-04-00-087	Pivot Pin Assy.	1
12	300-01-00-012	Lift Hook	1
13	280-04-00-088	Cylinder Bar Brkt	2
14	250-05-00-126	SS. Set Screw Lug	2
15	280-08-00-037	RH Rear Support Leg	1
16	280-08-00-038	LH Rear Support Leg	1
17	280-08-00-039	Rear Support Pads	2
18	280-08-00-040	Leg Brace	1
19	280-27-00-105	Drive Shaft 20 Ft.	1
	282-29-00-107	Drive Shaft 24 Ft.	1
20	280-05-00-031	Thrust Block	1
21	280-00-00-052	Spacer Pipe	1
22	270-00-00-075	3/8 x 3/8 x 2 Key	2
23	280-15-00-049	Propeller Blade - 540 RPM	3
24	280-16-00-050	Propeller Blade - 1000 RPM	3
25	280-07-00-034	Propeller Hub	1
26	280-07-00-035	Propeller Gusset	3
27	280-24-00-098	Bearing Sleeve	2
28	280-24-00-099	Bearing Sleeve Flange	4
29	280-24-00-100	Set Screw Sleeve	2
30	R20232	1 7/8 Wood Brg	1
31	R20206	1 3/4 Flange Spherical Roller Brg.	1
32	R07634	7/16 x 4 Hex Bolt	1
33	R07691	7/16 - 2 Way Locknut	1
34	R07626	3/8 x 5 Hex Bolt	*.2
35	R07783	3/8 Hex Nut	*.2
36	R07803	3/8 Lockwasher	*.2
37	R07639	1/2 x 2 Hex Bolt	4
38	R07785	1/2 Hex Nut	4
39	R07805	1/2" Lock Washer	4
40	R07642	1/2 x 3 1/2 Hex Bolt	2
41	R07885	1/2" Lock Nut	2
42	R07743	1/2 x 1 1/2 Hex Bolt	2
43	R08046	1/2" Jam Nut	2
44	280-26-00-111	Reinforcing Plate	1

LAGOON PUMP PTO  
 BONDIOLI AND PAVESI  
 1000 RPM-R21597  
 540 RPM-R21596





PROPELLER AGITATOR BONDIOLI PTO  
R21597 -1000 RPM  
R21596 - 540 RPM

<u>KEYS</u>	<u>MFG#</u>	<u>R#</u>	<u>DESCRIPTION</u>	<u>QTY</u>
1	606808080	R21642	Torque Lim. SB8	1
2	41208	R21614	Cross Journal Assembly	2
3	338023000	R21621	Circlip	8
4	348004000	R21655	Grease Nipple	2
-----				
5	204086860	R21620	Outer Tube Yoke	1
6	341054000	R21613	Flexible Pin	1
7	225730473	R21630	CM Cardan Tube	1
8	225690473	R21631	CM Cardan Tube	1
-----				
9	341055000	R21612	Flexible Tube	1
10	204086861	R21619	Inner Tube Yoke	1
11	572083751	R21640	1 3/8-21 Tooth QD Yoke w/ Sleeves	*
	572080351	R21641	1 3/8-6 Tooth QD Yoke w/ Sleeves	*
-----				
12	240003551	R21713	R.S. Collar Kit	1
13	213080020	R21624	Yoke	1
14	348012000	R21672	5/16 Grease Zerk	1
15	362006000	R21539	5/16 Ball	24
-----				
16	232088851	R21733	Hub	1
17	401000028	R21675	Push Pin	1
18	M12-1.75x65	R21602	M12 x 65 Hex Bolt	1
19	M12-1.75	R21604	M12 Ny-lock Nut	1
-----				
20	255080005	R21609	O. Bearing 8-9-10	1
21	517080071	R21610	O. Cone Sets N8-9	1
22	236840402	R21633	CM Outer Safety Tube	1
23	236840402	R21634	CM Inner Safety Tube	1
-----				
24	517080061	R21611	I. Cone Sets N8-9	1
25	255080006	R21608	I. Bearing 8-9-10	1
26	5NE8066NN	R21635	Half Safety Guard - Outer	1
27	5NE8066NN	R21636	Half Safety Guard - Inner	1
-----				
28	5N08066NN	R21637	Safety Guard Complete	1
29	403000001	R21714	Push Pin Complete - 1 3/8-6 Tooth	*
	403000013	R21716	Push Pin Complete - 1 3/8-21 Tooth	*
-----				

