

Office Copy  
05/09/2005 21 made  
Nov 24- 2 "

Date Purchased \_\_\_\_\_ Machine Serial No. \_\_\_\_\_

Size of Pump \_\_\_\_\_ Options \_\_\_\_\_

The key number system in this parts book is arranged as follows:

- ⊙ -- Key numbers with two circles denotes main assemblies.
- -- Key numbers with one circle are individual parts.

Please order parts by number.

## PROPELLER AGITATOR

### HUSKY LIQUID MANURE PUMP

280-00-00-000 20 FT

282-00-00-000 24 FT

#### OPERATING INSTRUCTIONS:

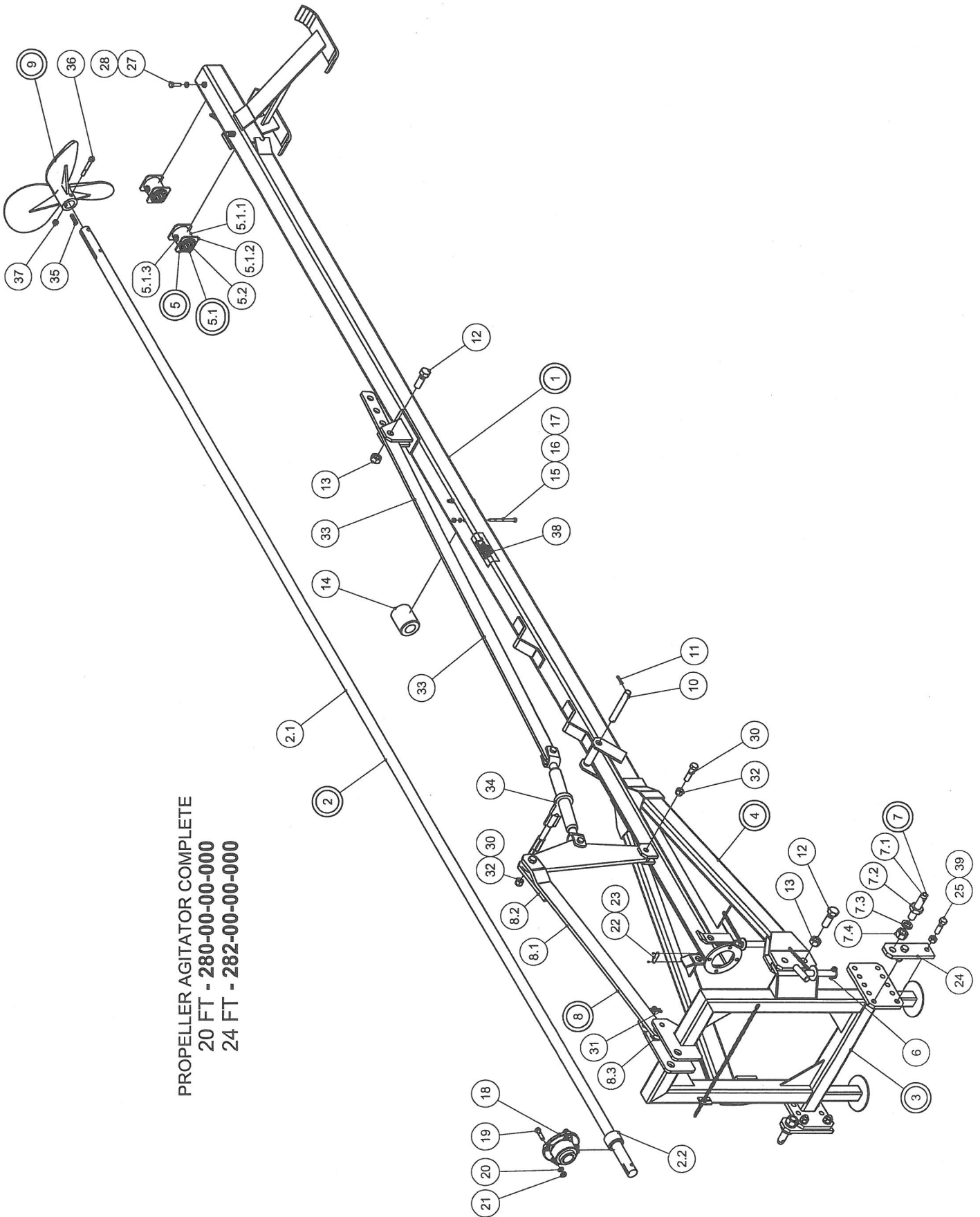
We welcome you as an owner of a Husky Propeller Agitator. To ensure this machine reaches it's maximum life span and operates at a optimum level, we recommend the following:

- Move the machine from the pit when not in use and simply wash it off. The bottom bearing is a manure type bearing which is lubricated with the manure itself and needs no further maintenance.
- Grease the top thrust bearing five to ten shots daily.
- Grease the PTO knuckles daily and oil the slide tube.
- With the Hydraulic Cylinder on the top of the prop it is possible, by removing a pin, to hinge the prop in the middle allowing flexibility for getting through concrete lids etc.
- Make sure when in use that the P.T.O. knuckles are both taking equal amount of bend otherwise propeller might vibrate.

#### CAUTION:

Do not enter a manure pit storage or spreader at any time while there is danger of gas from the manure. Have a ladder in your pit, so that if by accident you should fall in, you can get out again. Keep all lids closed and open pits fenced to keep children and animals out.

# PROPELLER AGITATOR COMPLETE

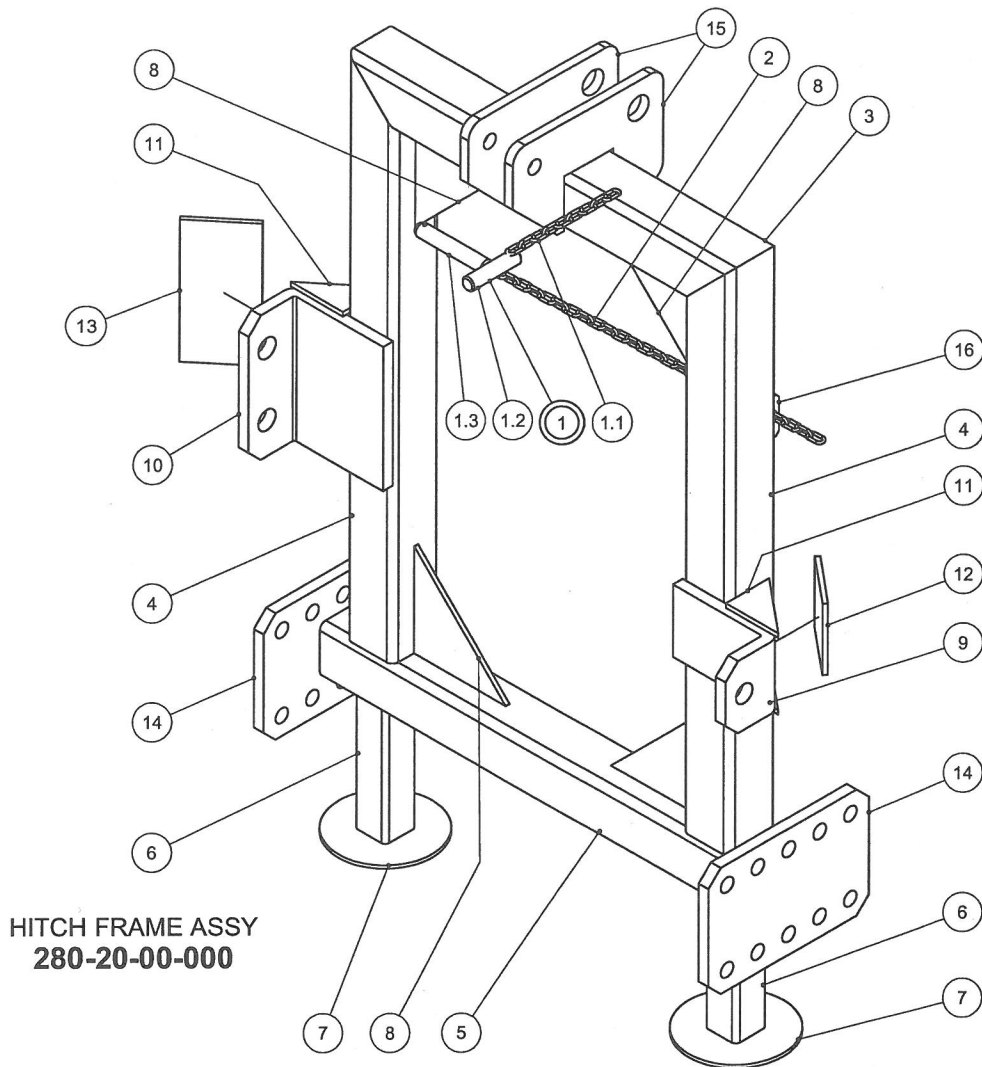


PROPELLER AGITATOR COMPLETE  
20 FT - 280-00-00-000  
24 FT - 282-00-00-000

## PROPELLER AGITATOR COMPLETE

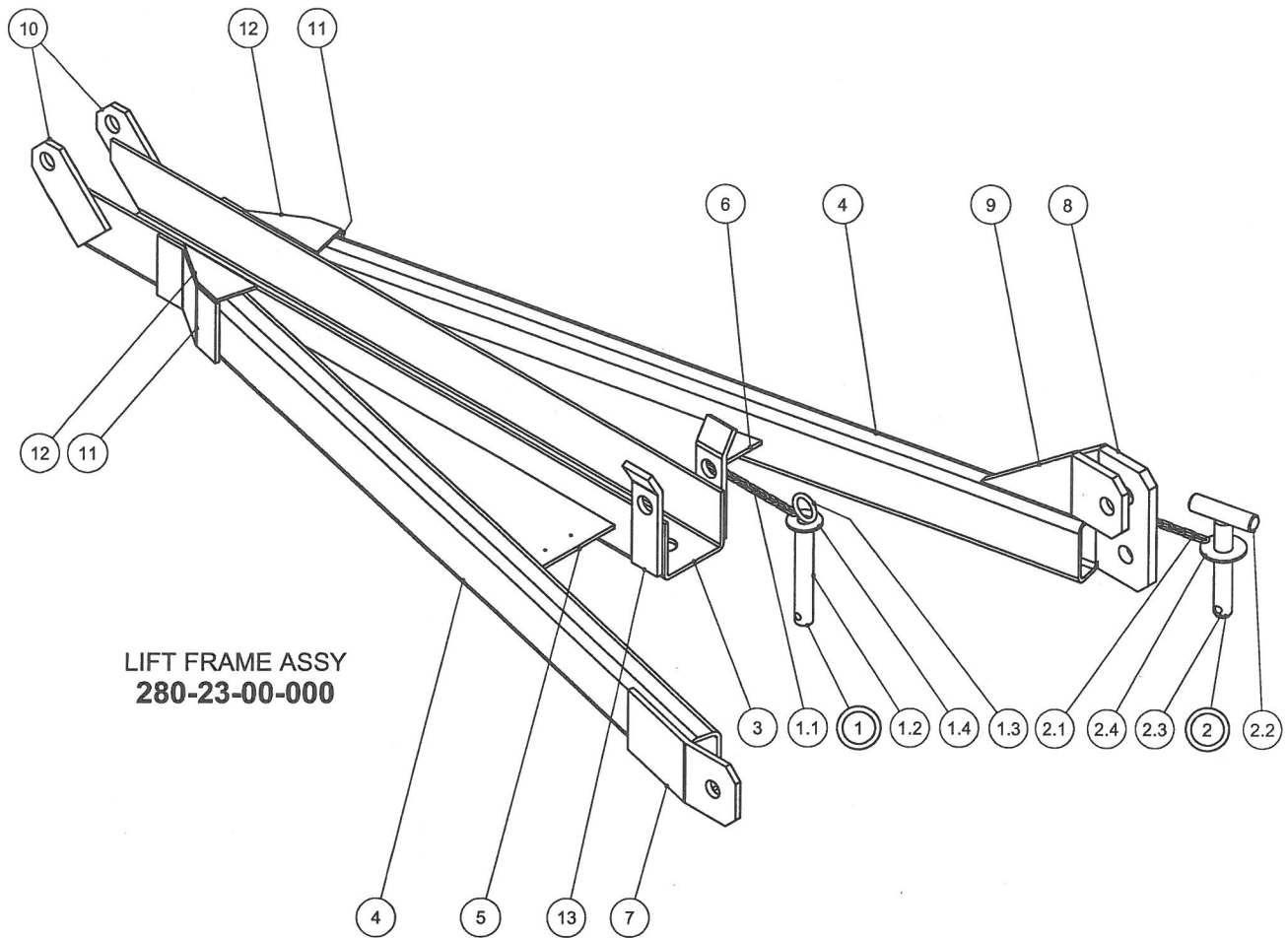
PARTS LIST			
ITEM	PART NUMBER	DESCRIPTION	QTY
1	280-26-00-000	20 FT DRIVE SHAFT TUBE ASSY	1
1	282-28-00-000	24 FT DRIVE SHAFT TUBE ASSY	1
2	280-27-00-000	DRIVE SHAFT ASSY - 20 FT PROP	1
2.1	280-27-00-105	DRIVE SHAFT - 20 FT	1
	282-29-00-107	DRIVE SHAFT - 24 FT	1
2.2	280-05-00-031	THRUST BEARING BLOCK	1
2	282-29-00-000	DRIVE SHAFT ASSY - 24 FT PROP	1
3	280-20-00-000	HITCH FRAME ASSY	1
4	280-23-00-000	LIFT FRAME ASSY	1
5	280-25-00-000	SHORT BRG & HOLDER COMPLETE	2
5.1	280-24-00-000	SHORT BRG HOLDER ASSY	1
5.1.1	280-24-00-098	BRG SLEEVE	1
5.1.2	280-24-00-099	BEARING SLEEVE FLANGE	2
5.1.3	280-24-00-100	SET SCREW SLEEVE	1
5.2	R20223	URETHANE	1
6	R08040	2 - 18 LYNCH PIN	2
7	270-56-00-000	HITCH PIN COMPLETE	2
7.1	270-56-00-160	HITCH PIN	1
7.2	R07796	1 1/8 - 12 UNF JAM NUT	1
7.3	R07810	1 1/8" LOCK WASHER	1
7.4	R07798	1 1/8" - 12 UNF HEX NUT	1
8	280-21-00-000	UPPER LIFT ARM ASSY	1
8.1	280-21-00-072	UPPER LIFT ARM	1
8.2	280-21-00-073	UPPER LIFT ARM BRKT	1
8.3	280-21-00-074	UPPER LIFT ARM SLEEVE	1
9	280-15-00-000	540 RPM HUB & PROP ASSY	1
10	280-00-00-089	PIVOT PIN	1
11	R08013	3/16 x 2 COTTER PIN	2
12	R07663	1 x 3" HEX BOLT	3
13	R07882	1" - 2 WAY LOCK NUT	3
14	R20232	1 7/8 WOOD BRG	1
15	R07626	3/8 x 5 HEX BOLT	2
16	R07803	3/8 LOCK WASHER	2
17	R07783	3/8 HEX NUT	2
18	R20206	1 3/4" THRUST BEARING	1
19	R07639	1/2 x 2 HEX BOLT	4
20	R07805	1/2 LOCK WASHER	4
21	R07785	1/2 HEX NUT	4
22	R09071	SERIAL NUMBER PLATE	1
23	R08152	6 x 1/4 PAN HD SOCKET SCREW	2
24	280-00-00-085	HITCH PLATE	2
25	R07655	3/4 x 2 1/2 HEX BOLT	4
26	R07807	3/4" LOCK WASHER	4
27	R07638	1/2 x 1 1/2 HEX BOLT	8
28	R08046	1/2 - 13 JAM NUT	2
29	280-00-00-096	LOWER LIFT ARM	1
30	R07656	3/4 x 3" HEX BOLT	2
31	R07948	5/32 HAIR PIN	1
32	R07878	3/4 NYLOCK NUT	2
33	280-00-00-090	CYLINDER ADJUSTMENT BAR	1
34	R09545	RATCHET JACK DC-20	1
35	270-00-00-075	3/8 KEY - 50mm LONG	1
36	R07642	1/2 x 3 1/2 HEX BOLT	2
37	R07885	1/2 - 2 WAY LOCK NUT	2
38	R09502-90 deg	"HUSKY" DECAL	1
39	R07787	3/4 - 10 UNC HEX NUT	4

# HITCH FRAME ASSY



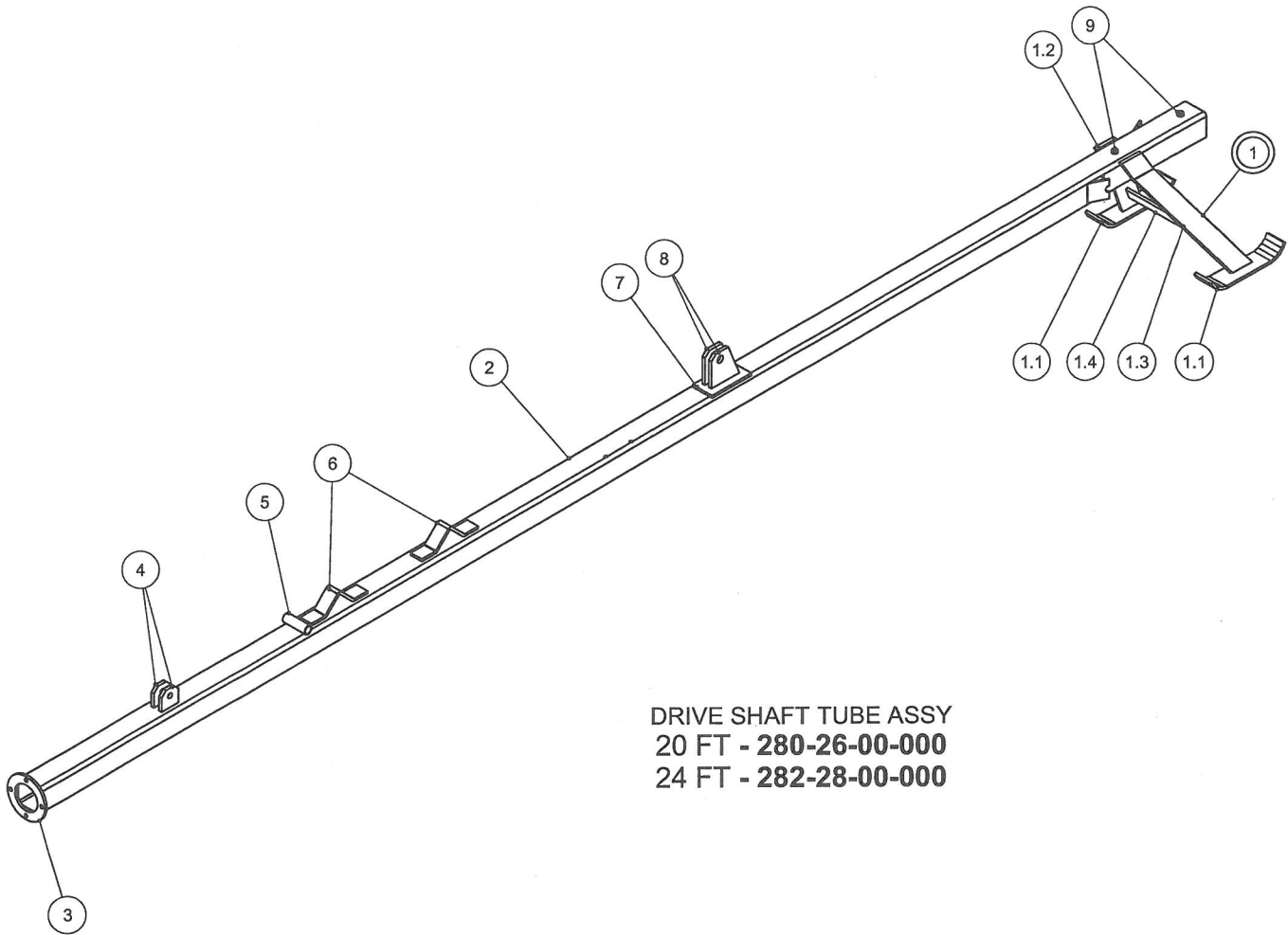
PARTS LIST			
ITEM	PART NUMBER	DESCRIPTION	QTY
1	280-20-03-000	TEE BAR ASSY	1
1.1	280-20-03-071	TEE BAR CHAIN	1
1.2	280-20-03-069	TEE BAR HANDLE	1
1.3	280-20-03-070	TEE BAR SHAFT	1
2	280-20-00-068	4.5 GRADE 30 COIL CHAIN	1
3	280-20-00-058	HITCH TOP MEMBER	1
4	280-20-00-059	HITCH SIDE MEMBER	2
5	280-20-00-060	HITCH BOTTOM MEMBER	1
6	280-20-00-101	STAND TUBE	2
7	280-20-00-102	STAND FOOT	2
8	280-20-00-065	HITCH FRAME GUSSET	4
9	280-20-00-064	L.H. PIVOT BRKT	1
10	280-20-0-063	R.H. PIVOT BRKT	1
11	280-20-00-095	HITCH FRAME GUSSET	4
12	280-20-00-066	L.H. PIVOT BRKT GUSSET	1
13	280-20-00-067	R.H. PIVOT BRKT GUSSET	1
14	280-20-00-061	HITCH ADJUSTMENT PLATE	2
15	280-20-0-062	UPPER LINK CONNECTOR PLATE	2
16	280-20-00-097	PTO CHAIN FASTENER	1

# LIFT FRAME ASSY



PARTS LIST			
ITEM	PART NUMBER	DESCRIPTION	QTY
1	280-23-04-000	HOLD DOWN PIN ASSY	1
1.1	280-20-03-071	TEE BAR CHAIN	1
1.2	280-23-04-084	HOLD DOWN PIN	1
1.3	R07925	1/4 x 1 1/2 PLATED RING	1
1.4	R07827	3/4" FLAT WASHER	1
2	280-23-05-000	PIVOT BRKT PIN ASSY	1
2.1	280-20-03-071	TEE BAR CHAIN	1
2.2	280-23-05-091	PIVOT BRKT PIN HANDLE	1
2.3	280-23-05-092	PIVOT BRKT PIN	1
2.4	R07828	1" FLAT WASHER	1
3	280-23-00-078	MAIN TUBE SEAT	1
4	280-23-00-077	LOWER LIFT ARMS	2
5	280-23-00-094	LOWER LIFT ARM GUSSET	1
6	280-23-00-079	LOWER LIFT ARM GUSSET	1
7	280-23-00-082	L.H. LOWER LIFT ARM BRKT	1
8	280-23-00-083	R.H. LOWER LIFT ARM BRKT	1
9	280-23-00-093	PIVOT BRKT	1
10	280-23-00-080	PIVOT PIN BRKT	2
11	280-23-00-103	LIFT ARM BRACE	2
12	280-23-00-110	FILLER PLATE	2
13	280-23-00-081	HOLD DOWN PIN BRKT	2

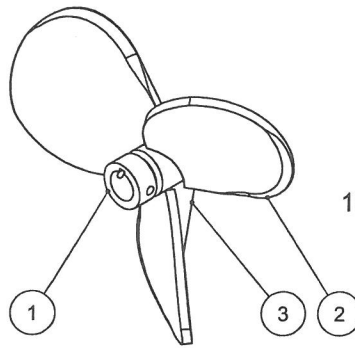
# DRIVE SHAFT TUBE ASSY



DRIVE SHAFT TUBE ASSY  
 20 FT - **280-26-00-000**  
 24 FT - **282-28-00-000**

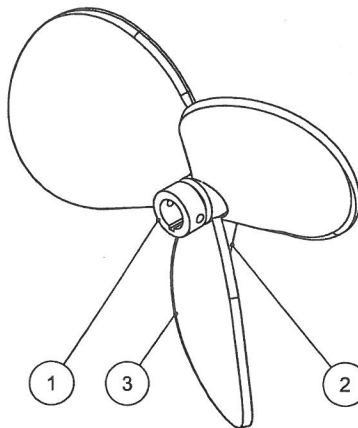
PARTS LIST			
ITEM	PART NUMBER	DESCRIPTION	QTY
1	280-08-00-000	REAR SUPPORT ASSY	1
1.1	280-08-00-039	REAR SUPPORT PADS	2
1.2	280-08-00-038	L.H. REAR SUPPORT LEG	1
1.3	280-08-00-037	R.H. REAR SUPPORT LEG	1
1.4	280-08-00-040	LEG BRACE	1
2	280-26-00-104	DRIVE SHAFT TUBE - 20FT	1
	282-28-00-106	DRIVE SHAFT TUBE - 24FT	1
3	280-04-00-051	BEARING FLANGE	1
4	280-04-0-086	LIFT ARM LUG	2
5	280-04-00-087	PIVOT PIN PIPE	1
6	300-01-00-012	TANK LIFT HOOK	2
7	280-26-00-111	REINFORCING PLATE	1
8	280-04-00-088	CYLINDER BAR BRKT	2
9	R08304	1/2 S.S. FLANGE NUT	2

## PROPELLER BLADES



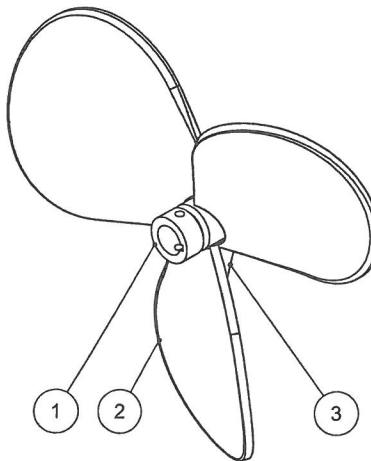
**1000 RPM STANDARD PROPELLER  
280-16-00-000**

PARTS LIST			
ITEM	PART NUMBER	DESCRIPTION	QTY
1	280-07-00-034	PROPELLER HUB	1
2	280-16-00-050	1000 RPM PROP BLADE	3
3	280-07-00-035	GUSSET	3



**540 RPM STANDARD PROPELLER  
280-15-00-000**

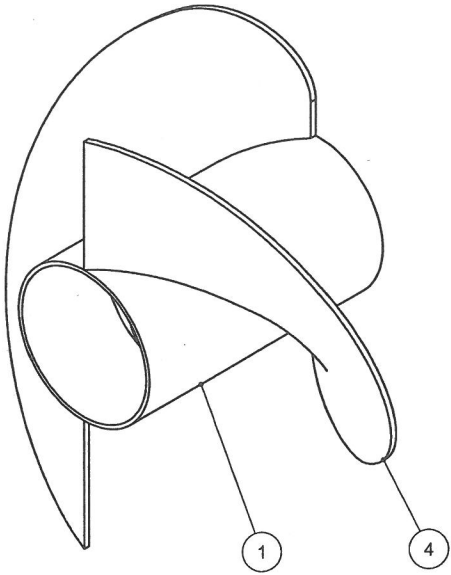
PARTS LIST			
ITEM	PART NUMBER	DESCRIPTION	QTY
1	280-07-00-034	PROPELLER HUB	1
2	280-07-00-035	GUSSET	3
3	280-15-00-049	540 RPM PROPELLER BLADE	3



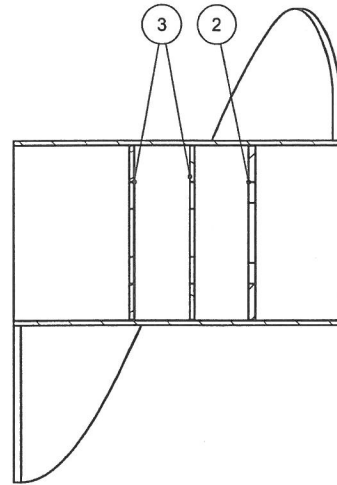
**540 RPM OVERSIZE PROPELLER  
280-31-00-000**

PARTS LIST			
ITEM	PART NUMBER	DESCRIPTION	QTY
1	280-07-00-034	PROPELLER HUB	1
2	280-31-00-109	540 OVERSIZED PROP BLADE	3
3	280-07-00-035	GUSSET	3

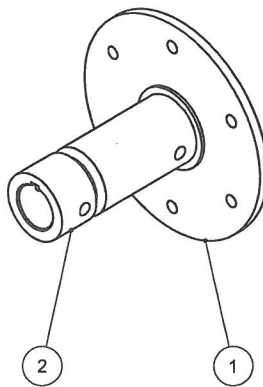
## AUGER & HUB ASSY



**AUGER ASSY  
485-05-00-000**



PARTS LIST			
ITEM	PART NUMBER	DESCRIPTION	QTY
1	485-05-00-024	AUGER TUBE	1
2	485-05-00-025	END FLANGE	1
3	485-05-00-026	MIDDLE FLANGE	2
4	485-05-00-027	AUGER FLITE	2

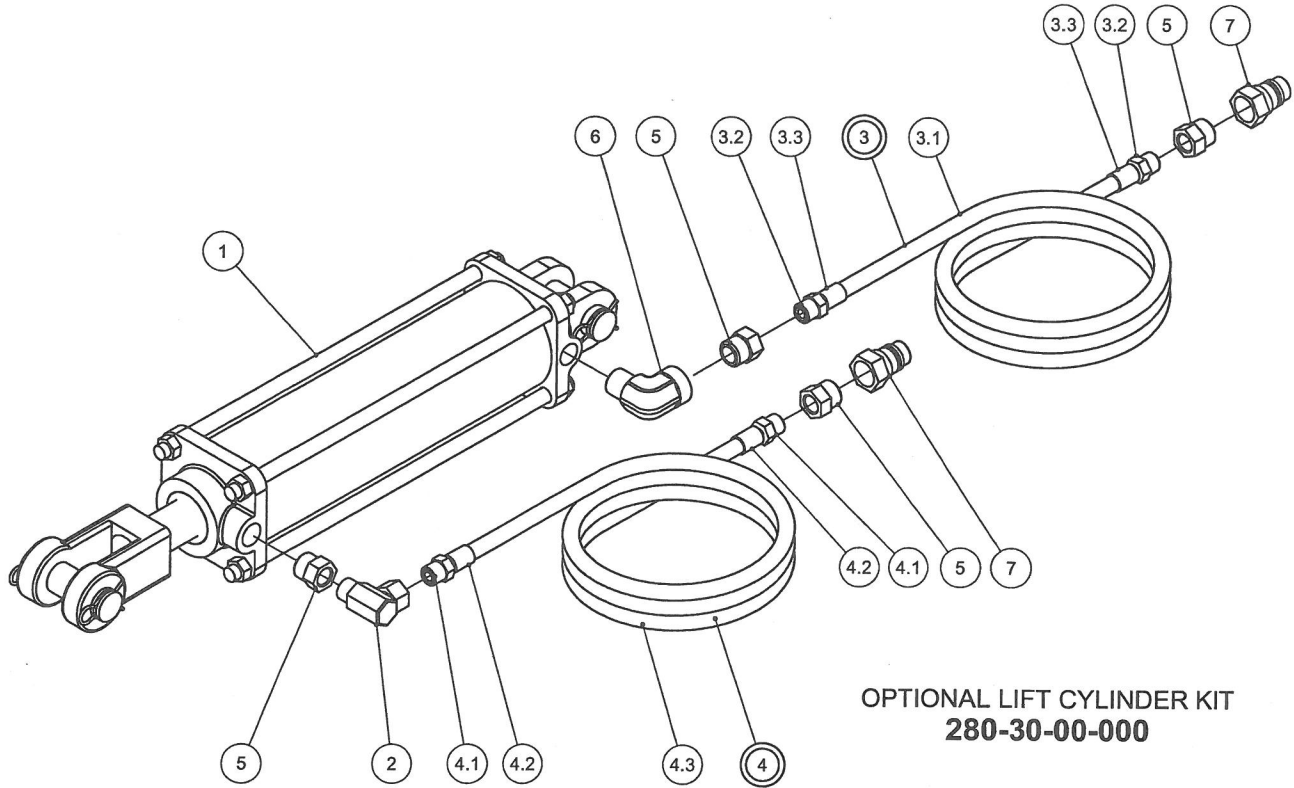


**AUGER HUB ASSY  
485-04-00-000**

PARTS LIST			
ITEM	PART NUMBER	DESCRIPTION	QTY
1	485-04-00-023	HUB FLANGE	1
2	485-04-00-022	AUGER HUB	1



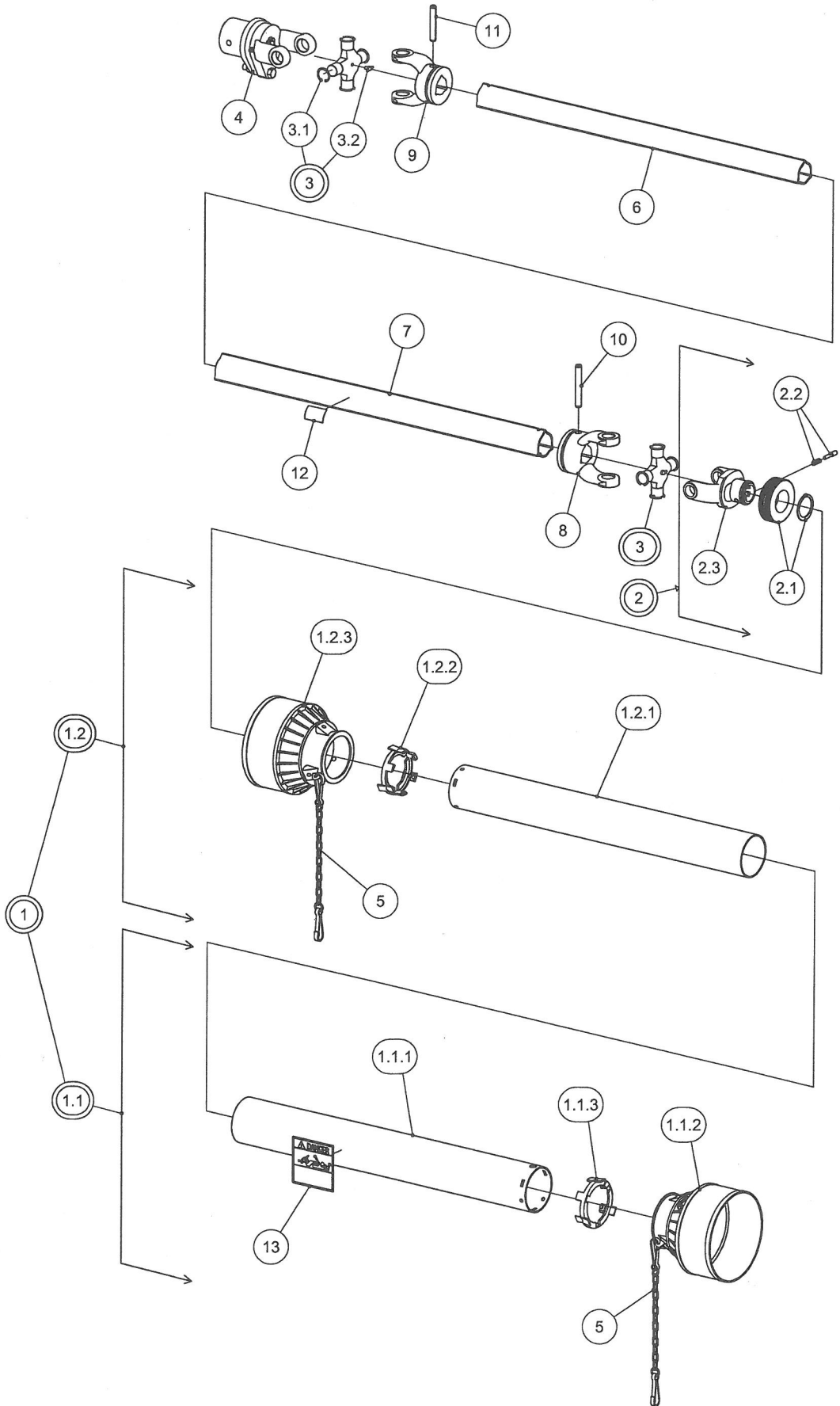
## OPTIONAL LIFT KIT



**OPTIONAL LIFT CYLINDER KIT  
280-30-00-000**

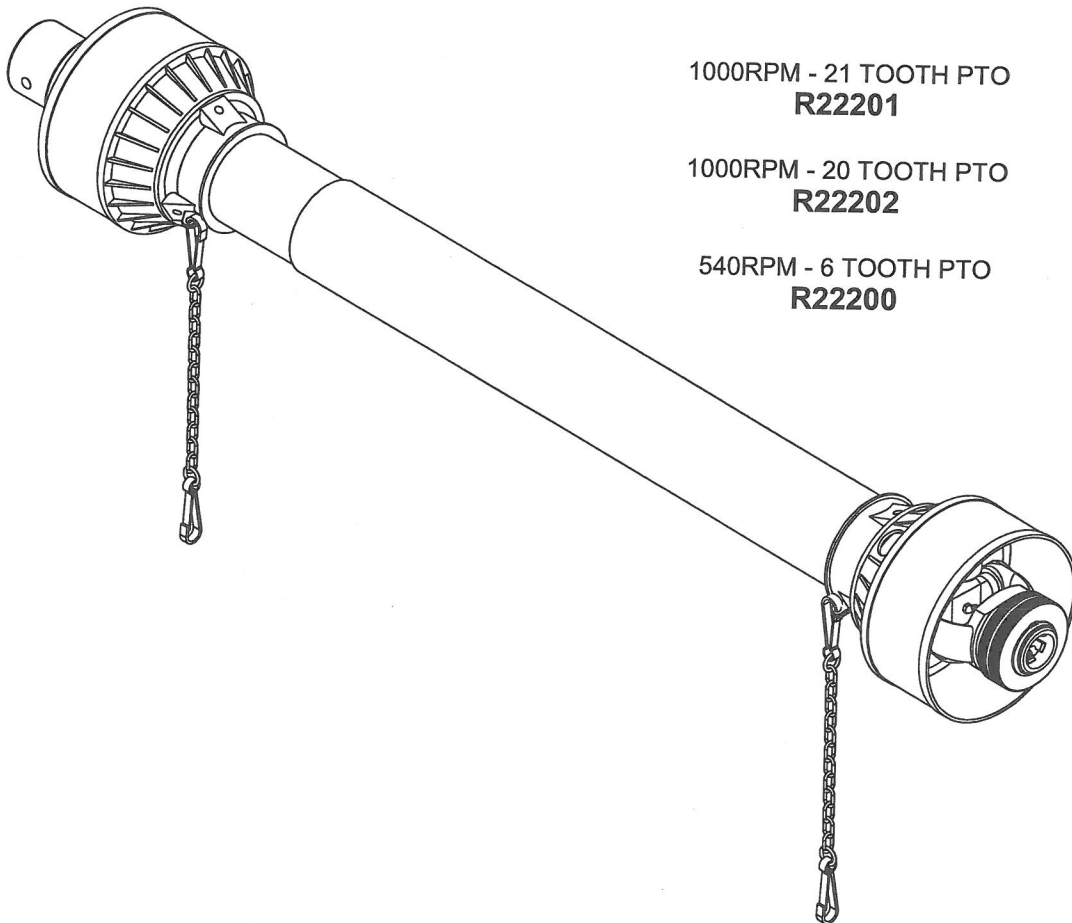
PARTS LIST			
ITEM	PART NUMBER	DESCRIPTION	QTY
1	R20727	3 x 8 HYDRAULIC CYLINDER	1
2	R21335	1/2" x 90 ° NPT RESTRICTOR	1
3	242-34-00-000	HYDRAULIC HOSE ASSY	1
3.1	242-34-00-158	HYDRAULIC HOSE	1
3.2	R20803	3/8 - 16 NPT SOLID MALE STEM	2
3.3	R21231	STEEL FERRULE - 1/4"	2
4	242-35-00-000	HYDRAULIC HOSE ASSY	1
4.1	R20803	3/8 - 16 NPT SOLID MALE STEM	2
4.2	R21231	STEEL FERRULE - 1/4"	2
4.3	242-35-00-159	HYDRAULIC HOSE - 14000L	1
5	R02043	BUSHING 1/2 x 3/8	4
6	R21367	1/2 X 90 HYD ELBOW	1
7	R21342	1/2" MALE PIONEER TIP	2

BONDIOLI & PAVESI PTO  
w/ 1 3/4" SHEAR YOKE



**BONDIOLI & PAVESI PTO  
w/ 1 3/4" SHEAR YOKE**

PARTS LIST				
ITEM	MFG #	PART NUMBER	DESCRIPTION	QTY
1	5F08101FFFX	R21629	SAFETY GUARD COMPLETE	1
1.1	5FE8101FFFX	R21627	HALF SAFETY GUARD - OUTER	1
1.1.1	236850732	R21618	CM SAFETY TUBE	1
1.1.2	517080130	R21610	OUTER CONE SETS N8-9	1
1.1.3	255080005R02	R21609	I. BEARING 3-4	1
1.2	5F18101FFFX	R21628	HALF SAFETY GUARD - INNER	1
1.2.1	236840732	R21617	CM SAFETY TUBE	1
1.2.2	255080006R02	R21608	I. BEARING 3-4	1
1.2.3	517080120	R21611	INNER CONE SETS N8-9	1
2	572083851	R21644	1 3/8 - 20 TOOTH QD YOKE w/ SLEEVES	1
2	572080351	R21641	1 3/8 - 6 TOOTH QD YOKE w/ SLEEVES	1
2	572083751	R21640	1 3/8 - 21 TOOTH QD YOKE w/ SLEEVES	1
2.1	240003551	R21713	R.S. COLLAR KIT	1
2.2	403000001R10	R21669	COMPLETE PUSH BUTTON	1
3	41208	R21614	CROSS JOURNAL ASSY	2
3.1	338023000	R21621	CIRCLIP	4
3.2	348004000	R21655	GREASE NIPPLE 45 DEG	1
4	606598802R	R21648	1 3/4" RD HOLE SHEAR YOKE	1
5	252000005R02	R21738	SHIELD TIE CHAIN	2
6	225690803	R21615	CARDAN TUBE - INNER	1
7	225730803	R21616	CARDAN TUBE - OUTER	1
8	204086860	R21620	OUTER TUBE YOKE	1
9	204086861	R21619	INNER TUBE YOKE	1
10	341051000	R21613	FLEXIBLE PIN	1
11	34105500R10	R21612	FLEXIBLE PIN	1
12		R21523	"SHIELD MISSING" DECAL	1
13		R21521	"ROTATING DRIVE LINE" DECAL	1



## **GUARANTEE**

All Husky Farm Equipment manufactured by Husky Farm Equipment Limited is guaranteed. Guarantee covers all the replacement cost or repair of all parts said to be defective from manufacture. Guarantee also covers labour installing said parts, if installed at Husky's Manufacturing plant. Time and use is the essence of the guarantee. If equipment is used on a private property for an individual's use, guarantee will be in effect for twelve months from date of invoice. If equipment is used for commercial use to do custom work for money then guarantee will be in effect for three months only from date of invoice.

## **EXEMPTIONS FROM GUARANTEE**

Cost of transportation of equipment to or from Husky Farm Equipment Limited either by customer or by Husky's service staff or cost of mail or public transportation is not covered. Tires and electric or hydraulic motors are covered by manufacturer's warranty and although Husky may assist to get warranty, Husky will not be responsible other than that allowed by manufacture's warranty. Items subject to normal wear from use not covered by guarantee if faulty part is simply worn.