

Date Purchased \_\_\_\_\_ Machine Serial No. \_\_\_\_\_

Size of Agitator \_\_\_\_\_ Options \_\_\_\_\_

The key number system in this parts book is arranged as follows:

- ⊙ - Key numbers with two circles denotes main assemblies.
- - Key numbers with one circle are individual parts

Please order parts by number



## **PROPELLER AGITATOR**

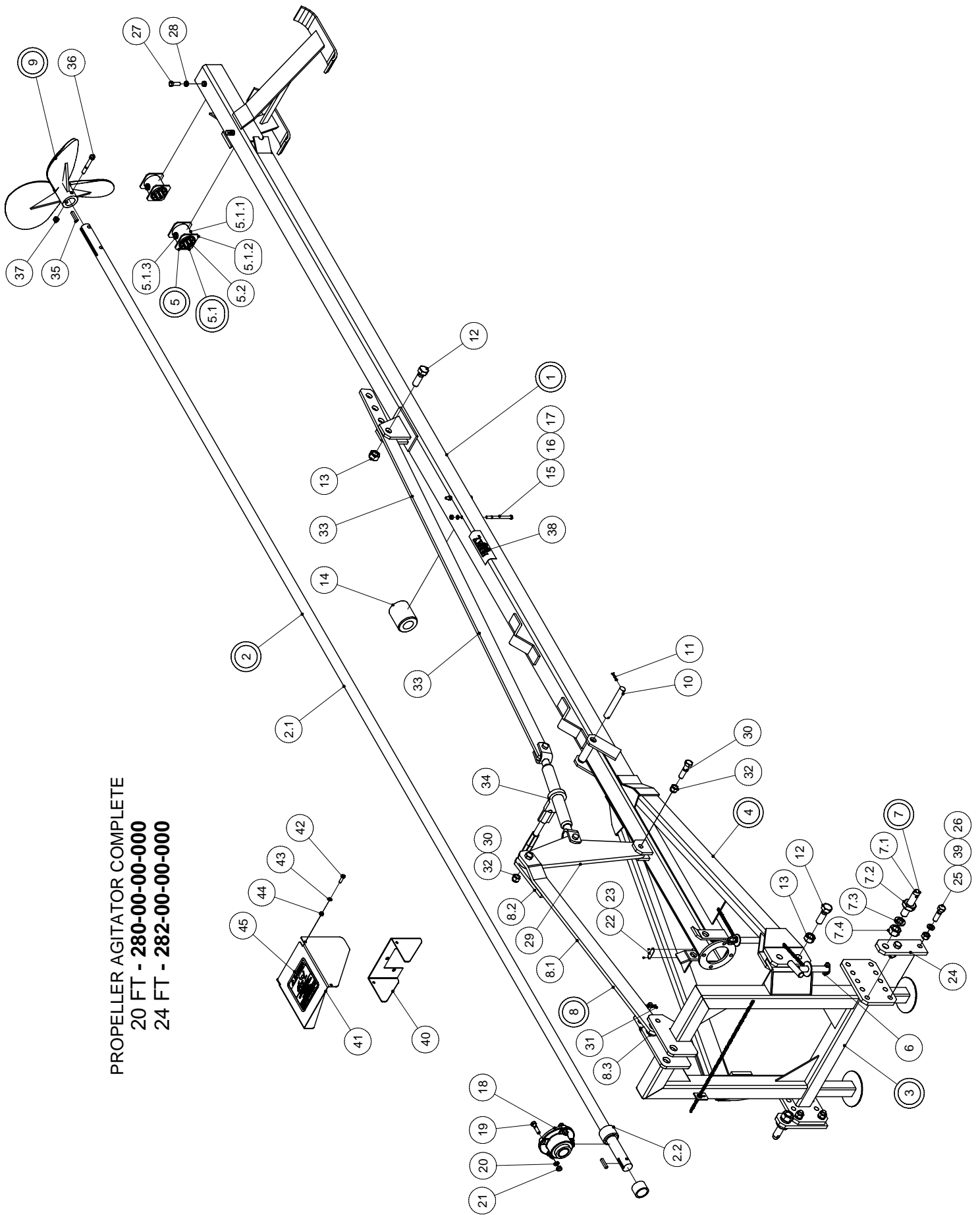
**20ft PROPELLER AGITATOR ▪ 280-00-00-000**

**24ft PROPELLER AGITATOR ▪ 282-00-00-000**

### **OPERATING INSTRUCTIONS:**

1. Do not leave propeller in manure pit – remove propeller from pit – wash off and coat with old oil or diesel fuel.
2. Grease top thrust bearing five to ten shots daily.
3. Grease the PTO knuckles daily and oil the slide tube.
4. To allow propeller proper flexibility to manoeuvre through concrete holes, remove Pins – Item #1 from “Hitch Frame Assy” page, and Item # 1 from “Lift Frame Assy” page.
5. Make sure when in use that the PTO knuckles are both taking equal amount of bend otherwise propeller might vibrate.
6. **EXTREME DANGER** – Never enter a dirty manure spreader or storage tank – one breath of hydrogen sulphide gas is enough to kill. Have a ladder in your pit, so that if by accident you should fall in, you can get out.

# PROPELLER AGITATOR COMPLETE

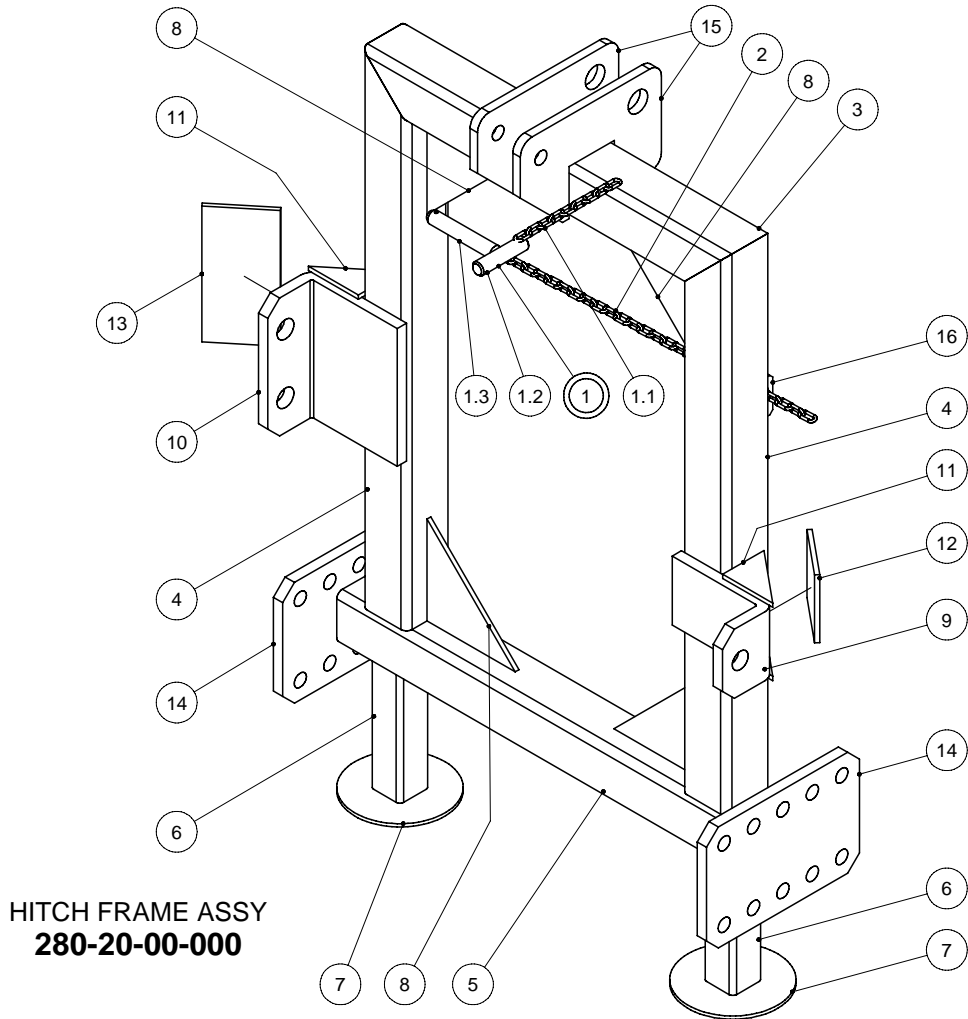


PROPELLER AGITATOR COMPLETE  
20 FT - 280-00-00-000  
24 FT - 282-00-00-000

## PROPELLER AGITATOR COMPLETE

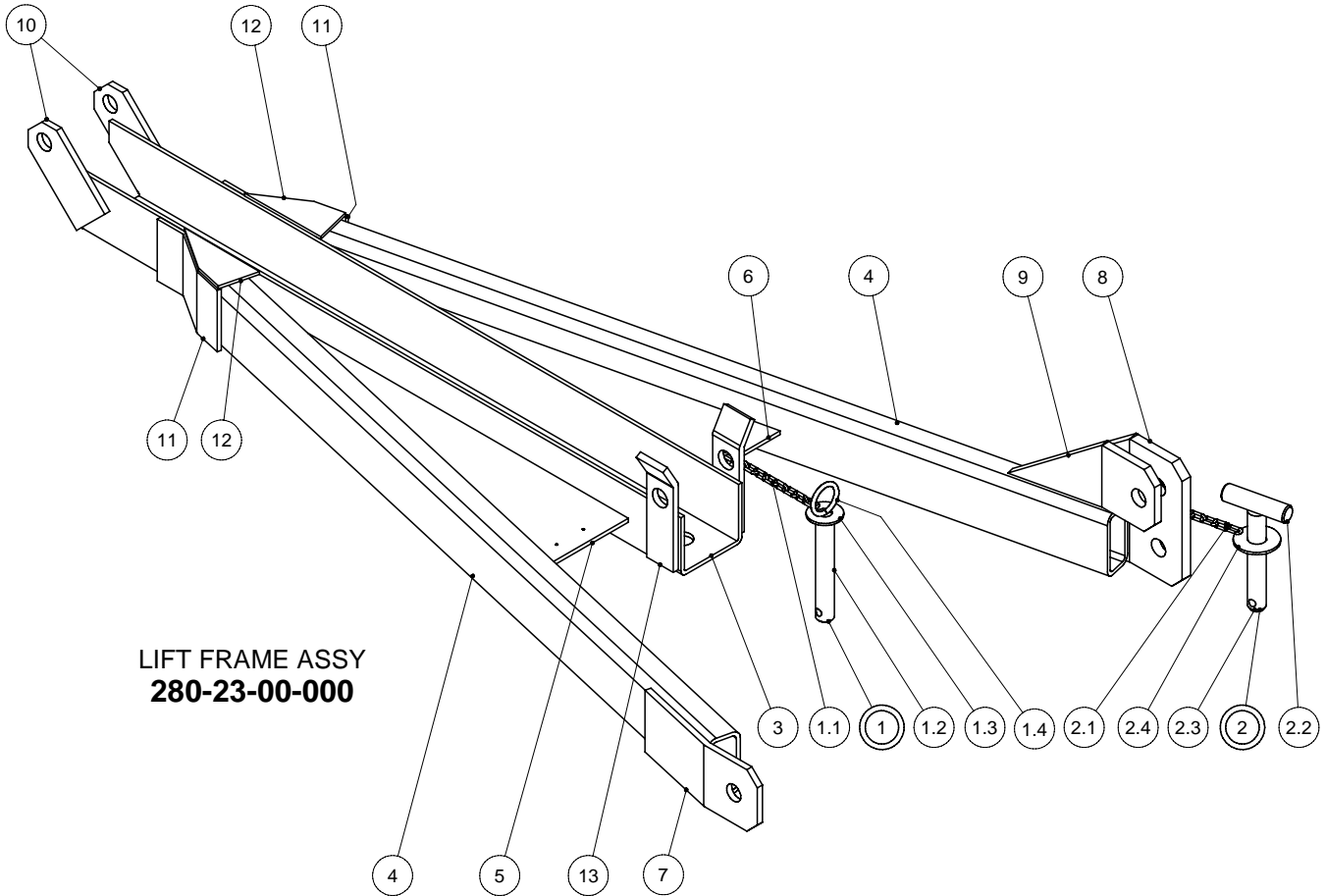
PARTS LIST				PARTS LIST			
ITEM	PART NUMBER	DESCRIPTION	QTY	ITEM	PART NUMBER	DESCRIPTION	QTY
1	280-26-00-000	20 FT DRIVE SHAFT TUBE ASSY	1	16	R07803	3/8 LOCK WASHER	2
1	282-28-00-000	24 FT DRIVE SHAFT TUBE ASSY	1	17	R07783	3/8 HEX NUT	2
2	280-27-00-000	DRIVE SHAFT ASSY - 20 FT PROP	1	18	R20206	1 3/4" THRUST BEARING	1
2.1	280-27-00-105	DRIVE SHAFT - 20 FT	1	19	R07639	1/2 x 2 HEX BOLT	4
	282-29-00-107	DRIVE SHAFT - 24 FT	1	20	R07805	1/2 LOCK WASHER	4
2.2	280-05-00-031	THRUST BEARING BLOCK	1	21	R07785	1/2 HEX NUT	4
2	282-29-00-000	DRIVE SHAFT ASSY - 24 FT PROP	1	22	R09071	SERIAL NUMBER PLATE	1
3	280-20-00-000	HITCH FRAME ASSY	1	23	R08152	6 x 1/4 PAN HD SOCKET SCREW	2
4	280-23-00-000	LIFT FRAME ASSY	1	24	280-00-00-085	HITCH PLATE	2
5	280-25-00-000	SHORT BRG & HOLDER COMPLETE	2	25	R07655	3/4 x 2 1/2 HEX BOLT	4
5.1	280-24-00-000	SHORT BRG HOLDER ASSY	1	26	R07807	3/4" LOCK WASHER	4
5.1.1	280-24-00-098	BRG SLEEVE	1	27	R07638	1/2 x 1 1/2 HEX BOLT	8
5.1.2	280-24-00-099	BEARING SLEEVE FLANGE	2	28	R08046	1/2 - 13 JAM NUT	2
5.1.3	280-24-00-100	SET SCREW SLEEVE	1	29	280-00-00-096	LOWER LIFT ARM	1
5.2	R20223	URETHANE	1	30	R07656	3/4 x 3" HEX BOLT	2
6	R08040	2 - 18 LYNCH PIN	2	31	R07948	5/32 HAIR PIN	1
7	270-56-00-000	HITCH PIN COMPLETE	2	32	R07878	3/4 NYLOCK NUT	2
7.1	270-56-00-160	HITCH PIN	1	33	280-00-00-090	CYLINDER ADJUSTMENT BAR	1
7.2	R07796	1 1/8 - 12 UNF JAM NUT	1	34	R09545	RATCHET JACK DC-20	1
7.3	R07810	1 1/8" LOCK WASHER	1	35	270-00-00-075	3/8 KEY - 50mm LONG	2
7.4	R07798	1 1/8" - 12 UNF HEX NUT	1	36	R07642	1/2 x 3 1/2 HEX BOLT	2
8	280-21-00-000	UPPER LIFT ARM ASSY	1	37	R07885	1/2 - 2 WAY LOCK NUT	2
8.1	280-21-00-072	UPPER LIFT ARM	1	38	R09502-90 deg	"HUSKY" DECAL	1
8.2	280-21-00-073	UPPER LIFT ARM BRKT	1	39	R07787	3/4 - 10 UNC HEX NUT	4
8.3	280-21-00-074	UPPER LIFT ARM SLEEVE	1	40	280-00-00-115	PTO GUARD MOUNT	1
9	280-15-00-000	540 RPM HUB & PROP ASSY	1	41	296-00-00-033	PTO GUARD	1
10	280-00-00-089	PIVOT PIN	1	42	R07675	3/8 x 1 1/4 UNC HEX BOLT	2
11	R08013	3/16 x 2 COTTER PIN	2	43	R07803	3/8" LOCK WASHER	2
12	R07663	1 x 3" HEX BOLT	3	44	R07783	3/8-16 UNC HEX NUT	2
13	R07882	1" - 2 WAY LOCK NUT	3	45	R09785	"DANGER ROTATING DRIVELINE"	1
14	R20232	1 7/8 WOOD BRG	1			DECAL	
15	R07626	3/8 x 5 HEX BOLT	2	46	280-00-00-052	SPACER PIPE	1

# HITCH FRAME ASSY



PARTS LIST			
ITEM	PART NUMBER	DESCRIPTION	QTY
1	280-20-03-000	TEE BAR ASSY	1
1.1	280-20-03-071	TEE BAR CHAIN	1
1.2	280-20-03-069	TEE BAR HANDLE	1
1.3	280-20-03-070	TEE BAR SHAFT	1
2	280-20-00-068	4.5 GRADE 30 COIL CHAIN	1
3	280-20-00-058	HITCH TOP MEMBER	1
4	280-20-00-059	HITCH SIDE MEMBER	2
5	280-20-00-060	HITCH BOTTOM MEMBER	1
6	280-20-00-101	STAND TUBE	2
7	280-20-00-102	STAND FOOT	2
8	280-20-00-065	HITCH FRAME GUSSET	4
9	280-20-00-064	L.H. PIVOT BRKT	1
10	280-20-0-063	R.H. PIVOT BRKT	1
11	280-20-00-095	HITCH FRAME GUSSET	4
12	280-20-00-066	L.H. PIVOT BRKT GUSSET	1
13	280-20-00-067	R.H. PIVOT BRKT GUSSET	1
14	280-20-00-061	HITCH ADJUSTMENT PLATE	2
15	280-20-0-062	UPPER LINK CONNECTOR PLATE	2
16	280-20-00-097	PTO CHAIN FASTENER	1

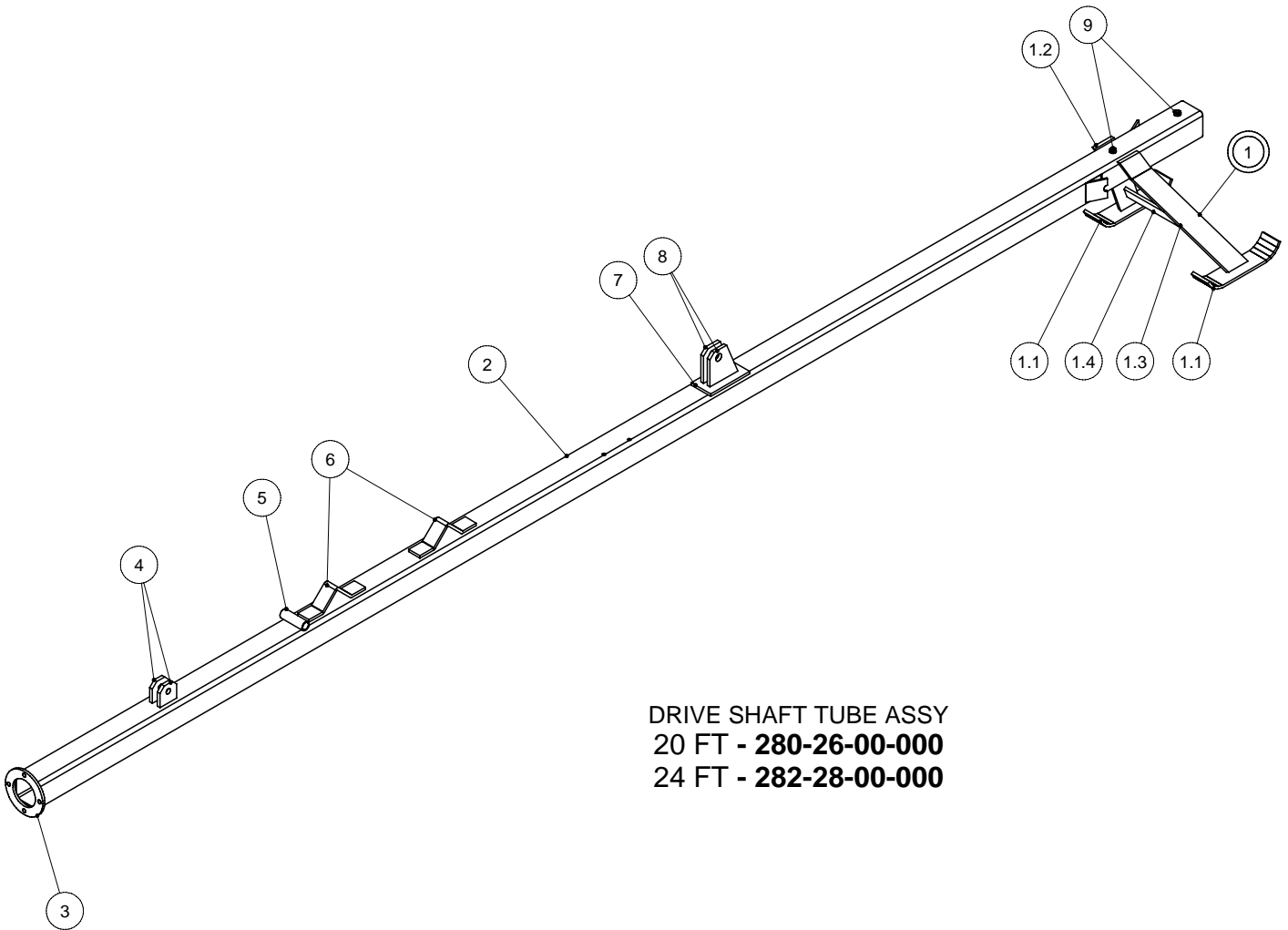
# LIFT FRAME ASSY



## PARTS LIST

ITEM	PART NUMBER	DESCRIPTION	QTY
1	280-23-04-000	HOLD DOWN PIN ASSY	1
1.1	280-20-03-071	TEE BAR CHAIN	1
1.2	280-23-04-084	HOLD DOWN PIN	1
1.3	R07827	3/4" FLAT WASHER	1
1.4	250-00-00-354	1/4 X 1 1/2" RING	1
2	280-23-05-000	PIVOT BRKT PIN ASSY	1
2.1	280-20-03-071	TEE BAR CHAIN	1
2.2	280-23-05-091	PIVOT BRKT PIN HANDLE	1
2.3	280-23-05-092	PIVOT BRKT PIN	1
2.4	R07828	1" FLAT WASHER	1
3	280-23-00-078	MAIN TUBE SEAT	1
4	280-23-00-077	LOWER LIFT ARMS	2
5	280-23-00-094	LOWER LIFT ARM GUSSET	1
6	280-23-00-079	LOWER LIFT ARM GUSSET	1
7	280-23-00-082	L.H. LOWER LIFT ARM BRKT	1
8	280-23-00-083	R.H. LOWER LIFT ARM BRKT	1
9	280-23-00-093	PIVOT BRKT	1
10	280-23-00-080	PIVOT PIN BRKT	2
11	280-23-00-103	LIFT ARM BRACE	2
12	280-23-00-110	FILLER PLATE	2
13	280-23-00-081	HOLD DOWN PIN BRKT	2

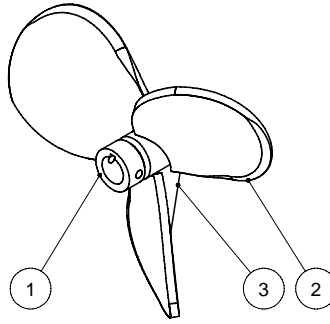
# DRIVE SHAFT TUBE ASSY



DRIVE SHAFT TUBE ASSY  
 20 FT - **280-26-00-000**  
 24 FT - **282-28-00-000**

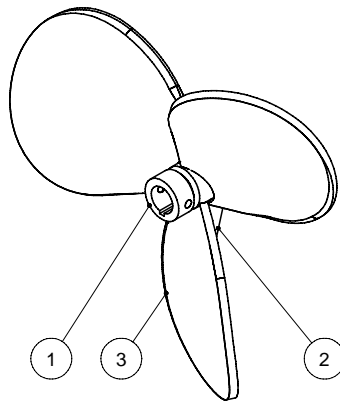
PARTS LIST			
ITEM	PART NUMBER	DESCRIPTION	QTY
1	280-08-00-000	REAR SUPPORT ASSY	1
1.1	280-08-00-039	REAR SUPPORT PADS	2
1.2	280-08-00-038	L.H. REAR SUPPORT LEG	1
1.3	280-08-00-037	R.H. REAR SUPPORT LEG	1
1.4	280-08-00-040	LEG BRACE	1
2	280-26-00-104	DRIVE SHAFT TUBE - 20FT	1
	282-28-00-106	DRIVE SHAFT TUBE - 24FT	1
3	280-04-00-051	BEARING FLANGE	1
4	280-04-0-086	LIFT ARM LUG	2
5	280-04-00-087	PIVOT PIN PIPE	1
6	300-01-00-012	TANK LIFT HOOK	2
7	280-26-00-111	REINFORCING PLATE	1
8	280-04-00-088	CYLINDER BAR BRKT	2
9	R08304	1/2 S.S. FLANGE NUT	2

## PROPELLER BLADES



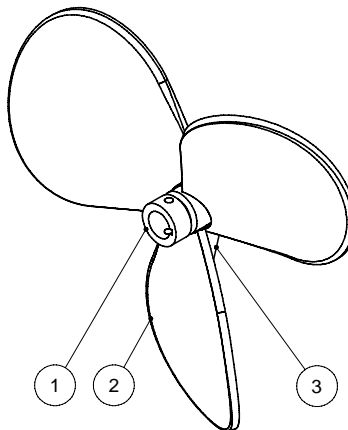
**Ø21.13"**  
**1000 RPM OPTIONAL PROPELLER**  
**280-16-00-000**

PARTS LIST			
ITEM	PART NUMBER	DESCRIPTION	QTY
1	280-07-00-034	PROPELLER HUB	1
2	280-16-00-050	1000 RPM PROP BLADE	3
3	280-07-00-035	GUSSET	3



**Ø26.6"**  
**540 RPM STANDARD PROPELLER**  
**280-15-00-000**

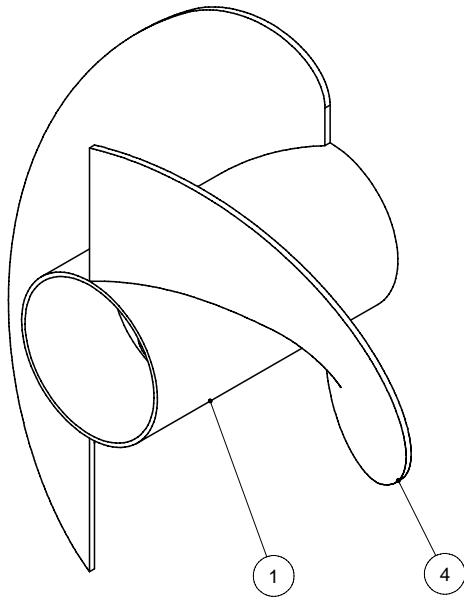
PARTS LIST			
ITEM	PART NUMBER	DESCRIPTION	QTY
1	280-07-00-034	PROPELLER HUB	1
2	280-07-00-035	GUSSET	3
3	280-15-00-049	540 RPM PROPELLER BLADE	3



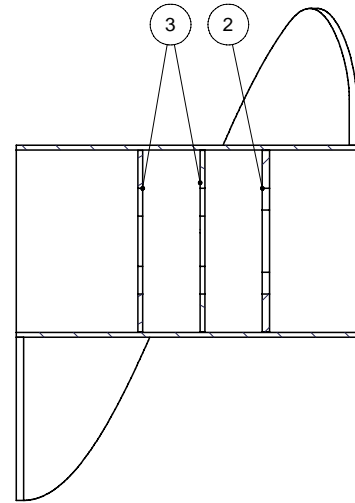
**Ø28.56"**  
**540 RPM OVERSIZE PROPELLER**  
**280-31-00-000**

PARTS LIST			
ITEM	PART NUMBER	DESCRIPTION	QTY
1	280-07-00-034	PROPELLER HUB	1
2	280-31-00-109	540 OVERSIZED PROP BLADE	3
3	280-07-00-035	GUSSET	3

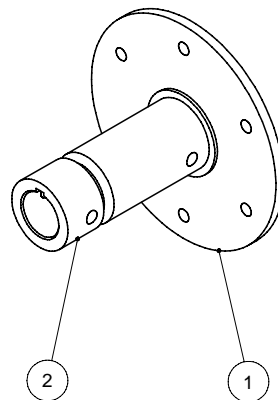
## AUGER & HUB ASSY



**AUGER ASSY  
485-05-00-000**



PARTS LIST			
ITEM	PART NUMBER	DESCRIPTION	QTY
1	485-05-00-024	AUGER TUBE	1
2	485-05-00-025	END FLANGE	1
3	485-05-00-026	MIDDLE FLANGE	2
4	485-05-00-027	AUGER FLITE	2

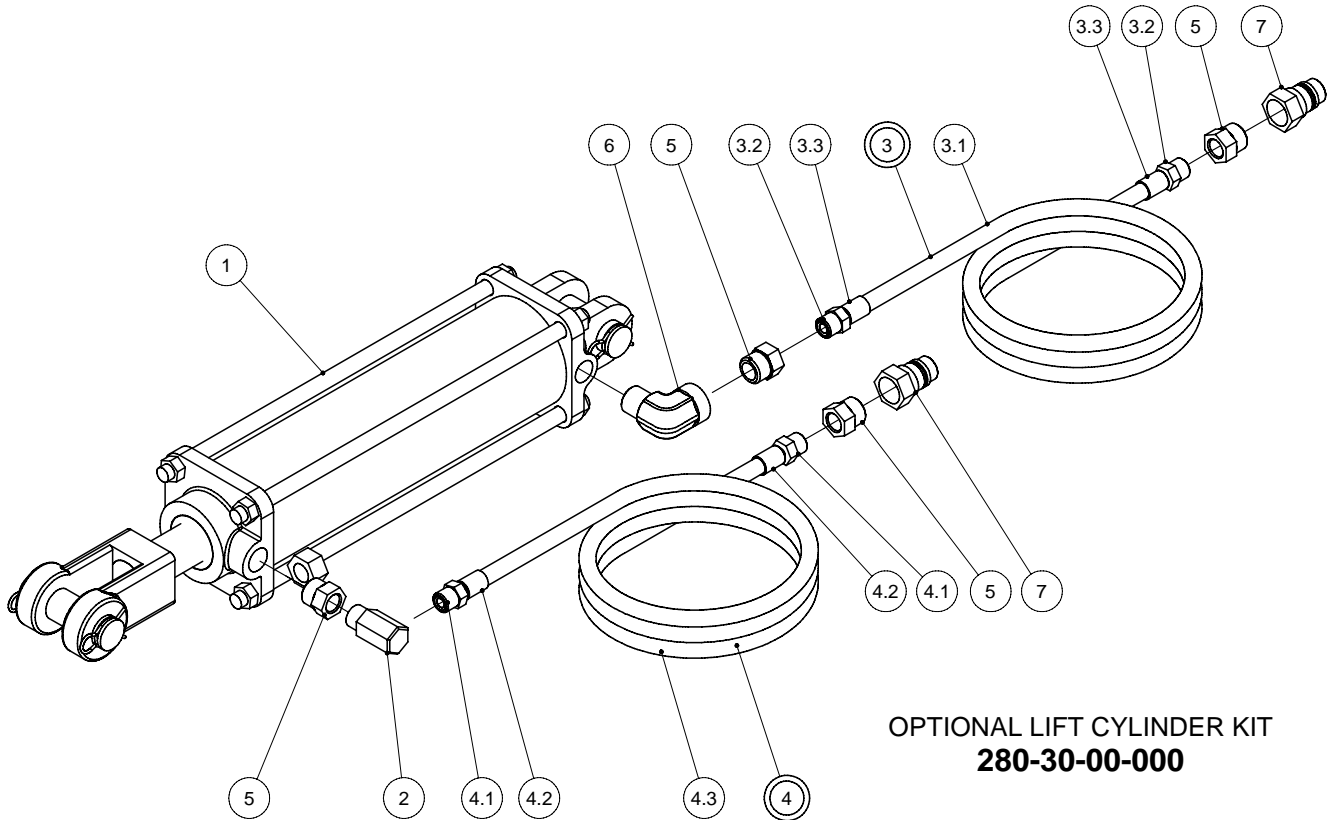


**AUGER HUB ASSY  
485-04-00-000**

PARTS LIST			
ITEM	PART NUMBER	DESCRIPTION	QTY
1	485-04-00-023	HUB FLANGE	1
2	485-04-00-022	AUGER HUB	1



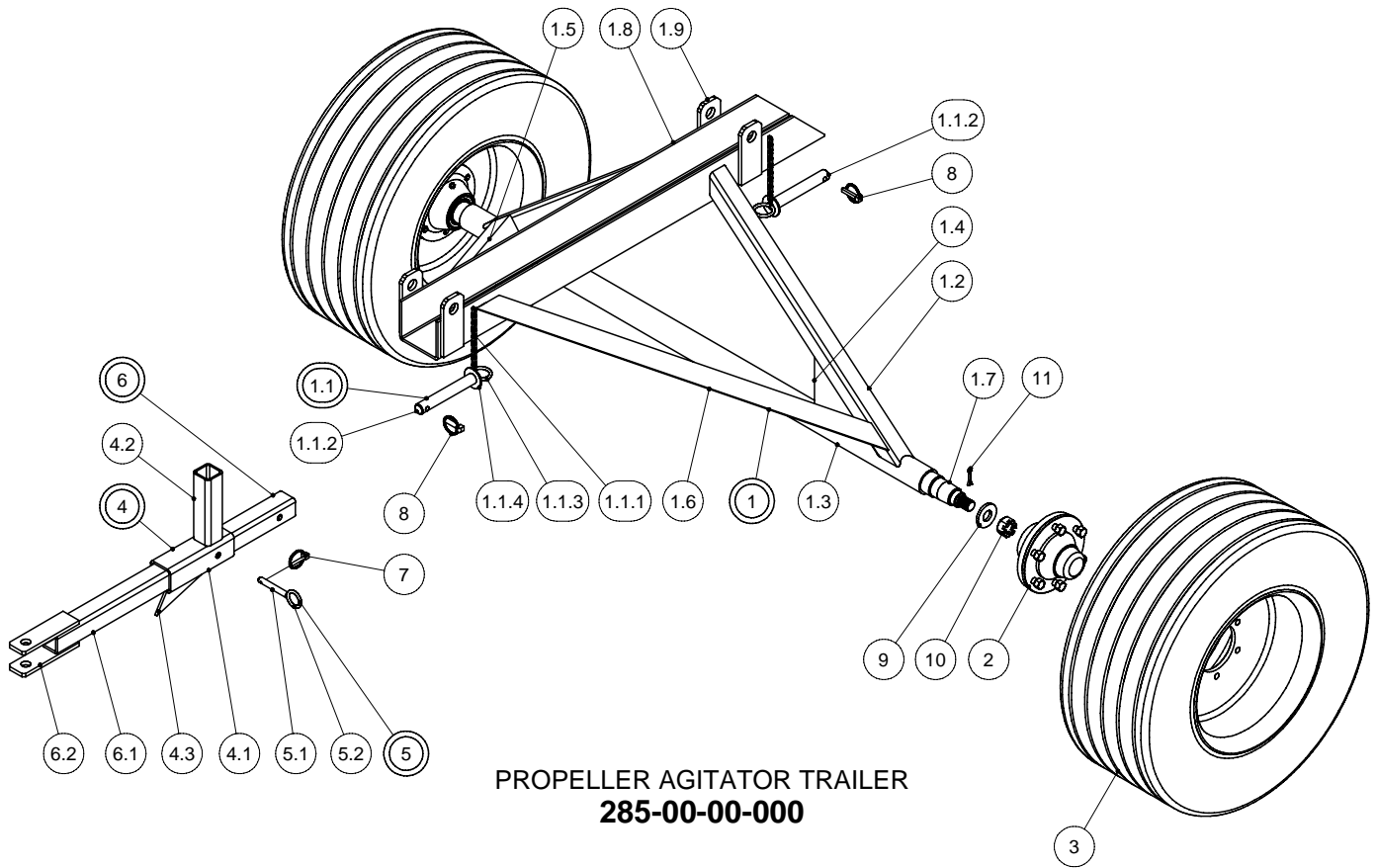
## OPTIONAL LIFT KIT



**OPTIONAL LIFT CYLINDER KIT  
280-30-00-000**

PARTS LIST			
ITEM	PART NUMBER	DESCRIPTION	QTY
1	R20727	3 x 8 HYDRAULIC CYLINDER	1
2	R21335	1/2" x 90 ° NPT RESTRICTOR	1
3	242-34-00-000	HYDRAULIC HOSE ASSY	1
3.1	242-34-00-158	HYDRAULIC HOSE	1
3.2	R20803	3/8 - 16 NPT SOLID MALE STEM	2
3.3	R21231	STEEL FERRULE - 1/4"	2
4	242-35-00-000	HYDRAULIC HOSE ASSY	1
4.1	R20803	3/8 - 16 NPT SOLID MALE STEM	2
4.2	R21231	STEEL FERRULE - 1/4"	2
4.3	242-35-00-159	HYDRAULIC HOSE - 14000L	1
5	R02043	BUSHING 1/2 x 3/8	4
6	R21367	1/2 X 90 HYD ELBOW	1
7	R21342	1/2" MALE PIONEER TIP	2

# PROPELLER AGITATOR TRAILER

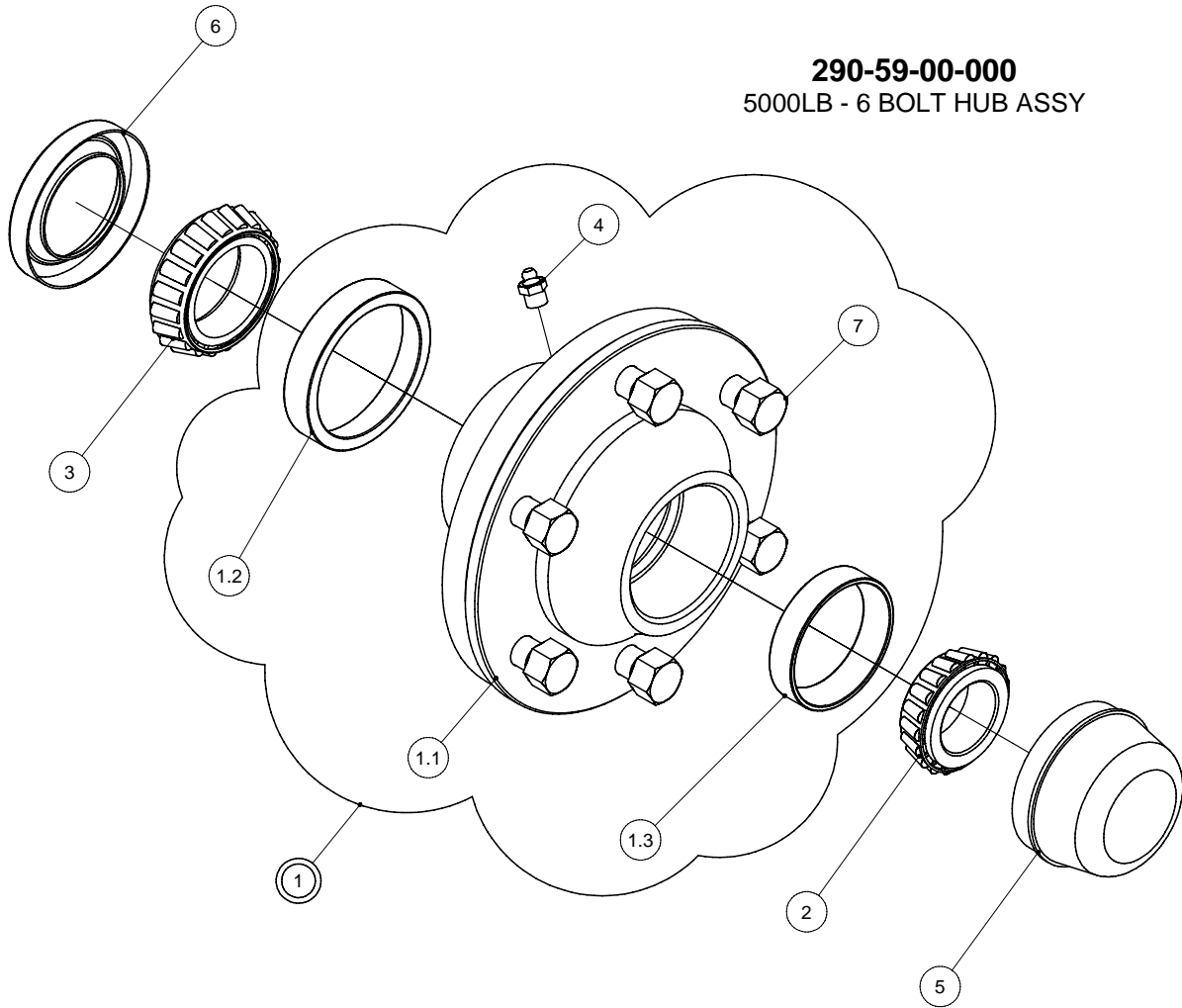


**PROPELLER AGITATOR TRAILER  
285-00-00-000**

PARTS LIST				PARTS LIST			
ITEM	PART NUMBER	DESCRIPTION	QTY	ITEM	PART NUMBER	DESCRIPTION	QTY
1	285-07-00-000	TRAILER ASSY	1	4	285-02-00-000	TONGUE MOUNTING BRKT ASSY	1
1.1	280-23-04-000	HOLD DOWN PIN ASSY	2	4.1	285-02-00-007	HITCH SLEEVE	1
1.1.1	280-20-03-071	TEE BAR CHAIN	1	4.2	285-02-00-012	TONGUE MOUNT SUPPORT	1
1.1.2	280-23-04-084	HOLD DOWN PIN	1	4.3	285-02-00-008	HITCH GUSSET	1
1.1.3	250-00-00-354	1/4 X 1 1/2" RING	1	5	285-04-00-000	TONGUE PIN ASSY	1
1.1.4	R07827	3/4" FLAT WASHER	1	5.1	285-04-00-011	TONGUE PIN	1
1.2	480-10-01-056	"A" FRAME ARM	2	5.2	R07925	1/4 x 1 1/2 PLATED RING	1
1.3	480-10-01-054	TRAILER CROSS TUBE	1	6	285-03-00-000	TONGUE ASSY	1
1.4	480-10-01-055	"A" FRAME GUSSET	2	6.1	285-03-00-009	TONGUE	1
1.5	480-10-01-058	RH ANGLE SUPPORT	1	6.2	285-03-00-010	TONGUE PLATE	2
1.6	480-10-01-057	LH ANGLE SUPPORT	1	7	R08041	1/4" LYNCH PIN	1
1.7	247-01-01-033	SPINDLE	2	8	R08040	2 - 18 LYNCH PIN	2
1.8	285-01-00-001	SADDLE	1	9	R20118	SPINDLE WASHER	2
1.9	285-01-00-005	HOLD DOWN BRKT	4	10	R20117	SPINDLE NUT	2
2	290-59-00-000	5000LB - 6 BOLT HUB ASSY	2	11	R08013	3/16 x 2 COTTER PIN	2
3	247-07-00-000	TIRE & WHEEL ASSY P275/60R15	2				

# 5000LB 6 BOLT HUB ASSY

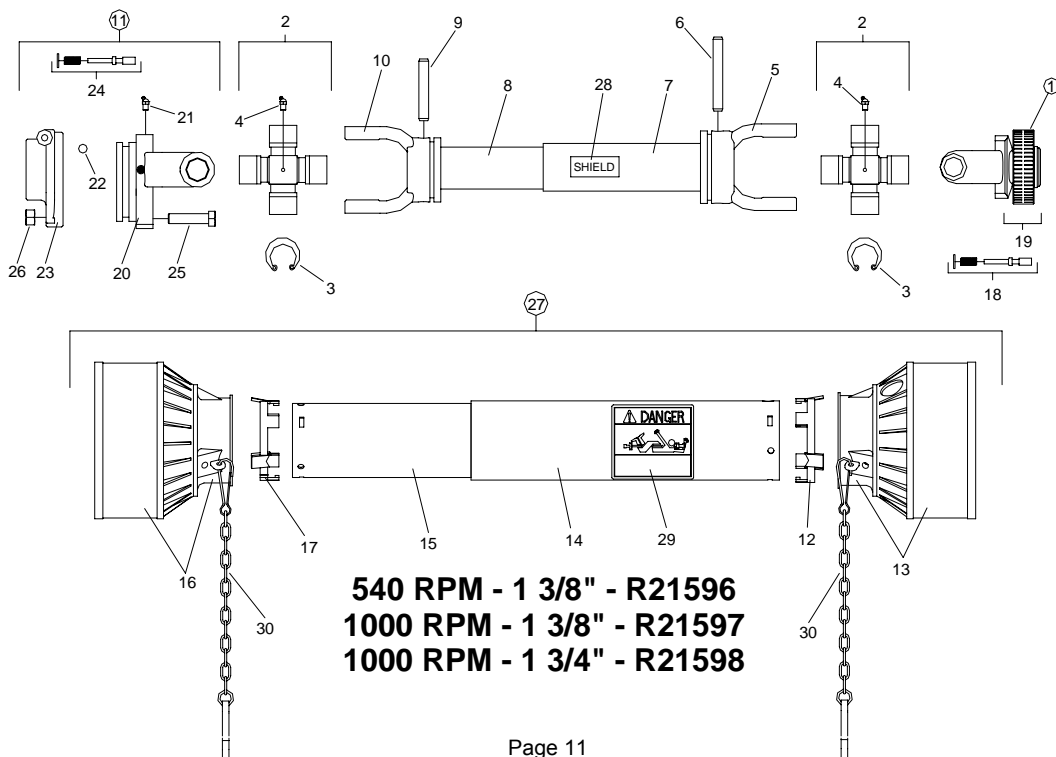
**290-59-00-000**  
5000LB - 6 BOLT HUB ASSY



PARTS LIST			
ITEM	PART NUMBER	DESCRIPTION	QTY
1	R22055	5000LB HUB w/ CUPS	1
1.1	R22054	5000LB HUB - 6 BOLT	1
1.2	R22058	INNER CUP LM603049	1
1.3	R22060	OUTER CUP LM48510	1
2	R22061	OUTER CONE LM48548	1
3	R22059	INNER CONE LM603049	1
4	R08186	1/8" NPT GREASE FTG	1
5	R22062	DUST CAP	1
6	R22063	SEAL CR2004	1
7	R20110	9/16 UNF WHEEL BOLT	6

# PTO - TIGER/PROP AGITATOR

PARTS LIST				
ITEM	MFG #	PART NUMBER	DESCRIPTION	QTY
1	572080351	R21641	1 3/8" 6T QD YOKE - 540 RPM	1
	572083851	R21644	1 3/8" 20T QD YOKE - 1000 RPM	1
	572083751	R21640	1 3/4" 21T QD YOKE - 1000 RPM	1
2	41208	R21614	CROSS JOURNAL ASSY	2
3	338023000	R21621	CIRCLIP	8
4	348004000	R21655	GREASE NIPPLE	2
5	204086860	R21620	OUTER TUBE YOKE	1
6	341054000	R21613	FLEXIBLE PIN	1
7	225730473	R21630	CARDAN TUBE	1
8	225690473	R21631	CARDAN TUBE	1
9	341055000	R21612	FLEXIBLE TUBE	1
10	240003551	R21619	INNER TUBE YOKE	1
11	606808080	R21642	TORQUE LIM SB8 - 540 RPM	1
12	255080005	R21609	O. BEARING 8-9-10	1
13	517080071	R21610	O. CONE SETS N8-9	1
14	236840402	R21633	OUTER SAFETY TUBE	1
15	236840402	R21634	INNER SAFETY TUBE	1
16	517080061	R21611	I. CONE SETS N8-9	1
17	255080006	R21608	I. BEARING 8-9-10	1
18	403000001	R21714	COMPLETE PUSH BUTTON	1
19	232088851	R21733	HUB	1
20	213080020	R21624	YOKE	1
21	348012000	R21672	5/16" GREASE NIPPLE	1
22	362006000	R21539	5/16 BALL	24
23	513080336	R21674	HUB c/w QD	1
24	401000028	R21675	COMPLETE PUSH BUTTON	1
25		R21602	M12 x 65 HEX BOLT	1
26		R21604	M12 NYLON LOCK NUT	1
27	5N08066NN	R21637	SAFETY GUARD	1
28		R21523	"SHIELD MISSING" DECAL	1
29		R21521	"DANGER ROTATING DRIVELINE" DECAL	1
30		R21738	SHIELD TIE CHAIN	2



## **GUARANTEE**

All Husky Farm Equipment manufactured by Husky Farm Equipment Limited is guaranteed. Guarantee covers all the replacement cost or repair of all parts said to be defective from manufacture. Guarantee also covers labour installing said parts, if installed at Husky Manufacturing plant. Time and use is the essence of the guarantee. If equipment is used on a private property for an individual's use, guarantee will be in effect for twelve months from date of invoice. If equipment is used for commercial use to do custom work for money then guarantee will be in effect for three months only from date of invoice.

## **EXEMPTIONS FROM GUARANTEE**

Cost of transportation of equipment to or from Husky Farm Equipment Limited either by customer or by Husky's service staff or cost of mail or public transportation is not covered. Tires and electric or hydraulic motors are covered by manufacturer's warranty and although Husky may assist to get warranty, Husky will not be responsible other than that allowed by manufacturer's warranty. Items subject to normal wear from use not covered by guarantee if faulty part is simply worn.