

Date Purchased \_\_\_\_\_ Machine Serial No. \_\_\_\_\_

Size of Agitator \_\_\_\_\_ Options \_\_\_\_\_

The key number system in this parts book is arranged as follows:

- ⊙ - Key numbers with two circles denotes main assemblies.
- - Key numbers with one circle are individual parts

Please order parts by number



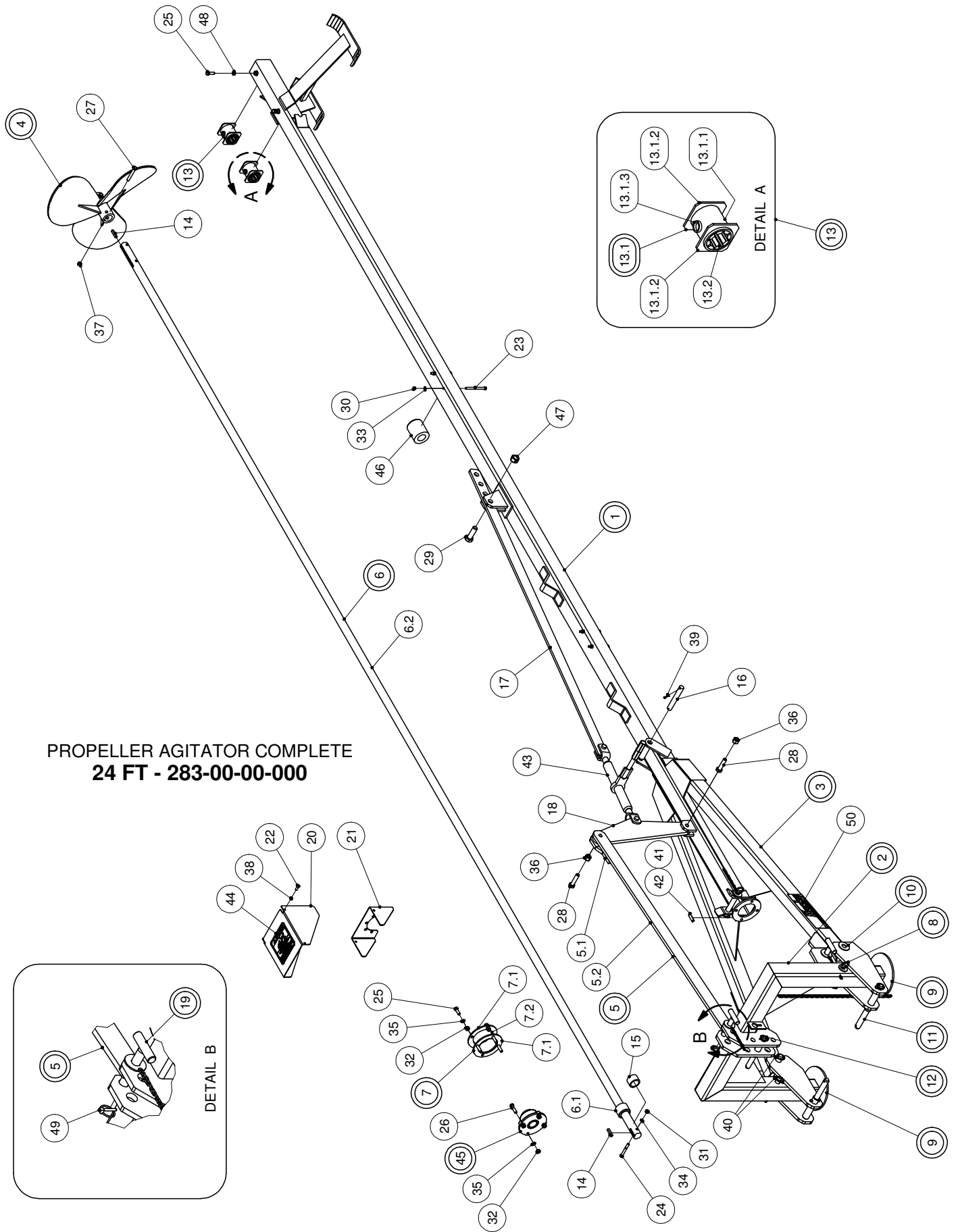
## PROPELLER AGITATOR

**24ft PROPELLER AGITATOR • 283-00-00-000**

### OPERATING INSTRUCTIONS:

1. Do not leave propeller in manure pit – remove propeller from pit – wash off and coat with old oil or diesel fuel.
2. Grease top thrust bearing five to ten shots daily.
3. Grease the PTO knuckles daily and oil the slide tube.
4. To allow propeller proper flexibility to manoeuvre through concrete holes, remove Pins – Item #13 from “Propeller Agitator Complete” page, and Item #13 from “Lift Frame Assy” page.
5. Make sure when in use that the PTO knuckles are both taking equal amount of bend otherwise propeller might vibrate.
6. **EXTREME DANGER** – Never enter a dirty manure spreader or storage tank – one breath of hydrogen sulphide gas is enough to kill. Have a ladder in your pit, so that if by accident you should fall in, you can get out.

# PROPELLER AGITATOR COMPLETE

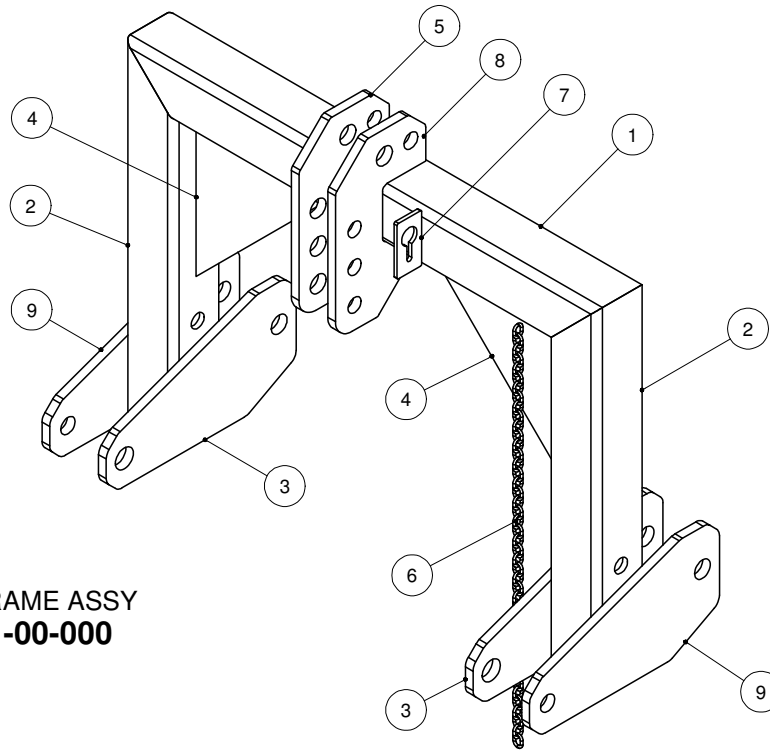


**PROPELLER AGITATOR COMPLETE  
24 FT - 283-00-00-000**

## PROPELLER AGITATOR COMPLETE

PARTS LIST				PARTS LIST			
ITEM	PART NUMBER	DESCRIPTION	QTY	ITEM	PART NUMBER	DESCRIPTION	QTY
1	282-28-00-000	24 FT DRIVE SHAFT TUBE ASSY	1	21	485-00-00-047	PTO GUARD BRKT	1
2	480-01-00-000	HITCH FRAME ASSY	1	22	R07619	3/8 x 1 UNC HEX BOLT	2
3	283-05-00-000	FRAME AND HITCH	1	23	R07626	3/8 x 5 UNC HEX BOLT	4
4	280-31-00-000	540 OVERSIZED PROP ASSY	1	24	R07633	7/16 x 3 1/2 HEX BOLT	1
5	283-04-00-000	UPPER LIFT ARM ASSY	1	25	R07638	1/2 x 1 1/2 UNC HEX BOLT	6
5.1	280-21-00-073	UPPER LIFT ARM BRKT	1	26	R07639	1/2 x 2 UNC HEX BOLT	4
5.2	283-04-00-010	SHORT UPPER LIFT ARM	1	27	R07642	1/2 x 3 1/2 UNC HEX BOLT	2
6	282-29-00-000	DRIVE SHAFT ASSY - 24 PROP	1	28	R07656	3/4 x 3 UNC HEX BOLT	2
6.1	280-05-00-031	THRUST BEARING BLOCK	1	29	R07663	1 x 3 UNC HEX BOLT	1
6.2	282-29-00-107	DRIVE SHAFT - 24 FT	1	30	R07783	3/8-16 UNC HEX NUT	4
7	480-30-00-000	THRUST BRG EXTENSION TUBE ASSY	1	31	R07784	7/16-14 UNC HEX NUT	1
				32	R07785	1/2-13 UNC HEX NUT	8
7.1	480-30-00-104	BRG FLANGE	2	33	R07803	3/8" LOCK WASHER	4
7.2	480-30-00-105	BRG EXTENSION TUBE	1	34	R07804	7/16" LOCK WASHER	1
8	480-15-00-000	LEG PIN ASSY	2	35	R07805	1/2" LOCK WASHER	8
9	480-06-00-000	STAND ASSY	2	36	R07878	3/4 UNC NYLOCK NUT	2
10	480-08-00-000	PIVOT PIN ASSY	2	37	R07885	1/2-13 UNC 2-WAY LOCK NUT	2
11	480-24-00-000	CAT 11 & 111 HITCH PIN KIT	2	38	R07886	3/8-16 UNC 2-WAY LOCK NUT	2
12	480-25-00-000	CAT 11 & 111 TOP LINK PIN KIT	1	39	R08015	3/16 x 2 COTTER PIN	2
13	280-25-00-000	SHORT BRG & HOLDER COMPLETE	2	40	R08040	2 - 18 LYNCH PIN	5
13.1	280-24-00-000	SHORT BRG HOLDER ASSY	1	41	R08152	6 x 1/4 PAN HD SOCKET SCREW	2
13.1.1	280-24-00-098	BRG SLEEVE	1	42	R09071	SERIAL NUMBER PLATE	1
13.1.2	280-24-00-099	BEARING SLEEVE FLANGE	2	43	R09545	RATCHET JACK DC-20	1
13.1.3	280-24-00-100	SET SCREW SLEEVE	1	44	R09785	"DANGER ROTATING DRIVELINE"	1
13.2	R20223	URETHANE	1			DECAL	
14	270-00-00-075	3/8 KEY - 50mm LONG	2	45	R20206	1 3/4" THRUST BRG w/ GREASE	1
15	280-00-00-052	SPACER PIPE	1			ZERK	
16	280-00-00-089	PIVOT PIN	1	46	R20232	1 7/8 WOOD BRG	2
17	280-00-00-090	CYLINDER ADJUSTMENT BAR	1	47	R07882	1-8 UNC 2-WAY LOCK NUT	1
18	280-00-00-096	LOWER LIFT ARM	1	48	R08046	1/2-13 UNC JAM NUT	2
19	280-23-05-000	PIVOT BRKT PIN ASSY	1	49	R08041	1/4" LYNCH PIN	1
20	296-00-00-033	PTO GUARD	1	50	R09691	HUSKY DECAL 3.75" x 13"	2

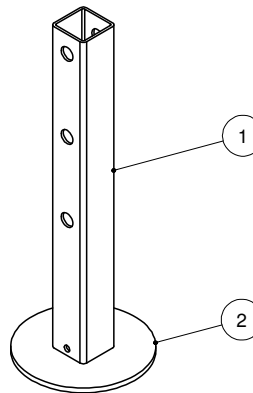
## HITCH FRAME ASSY



**HITCH FRAME ASSY  
480-01-00-000**

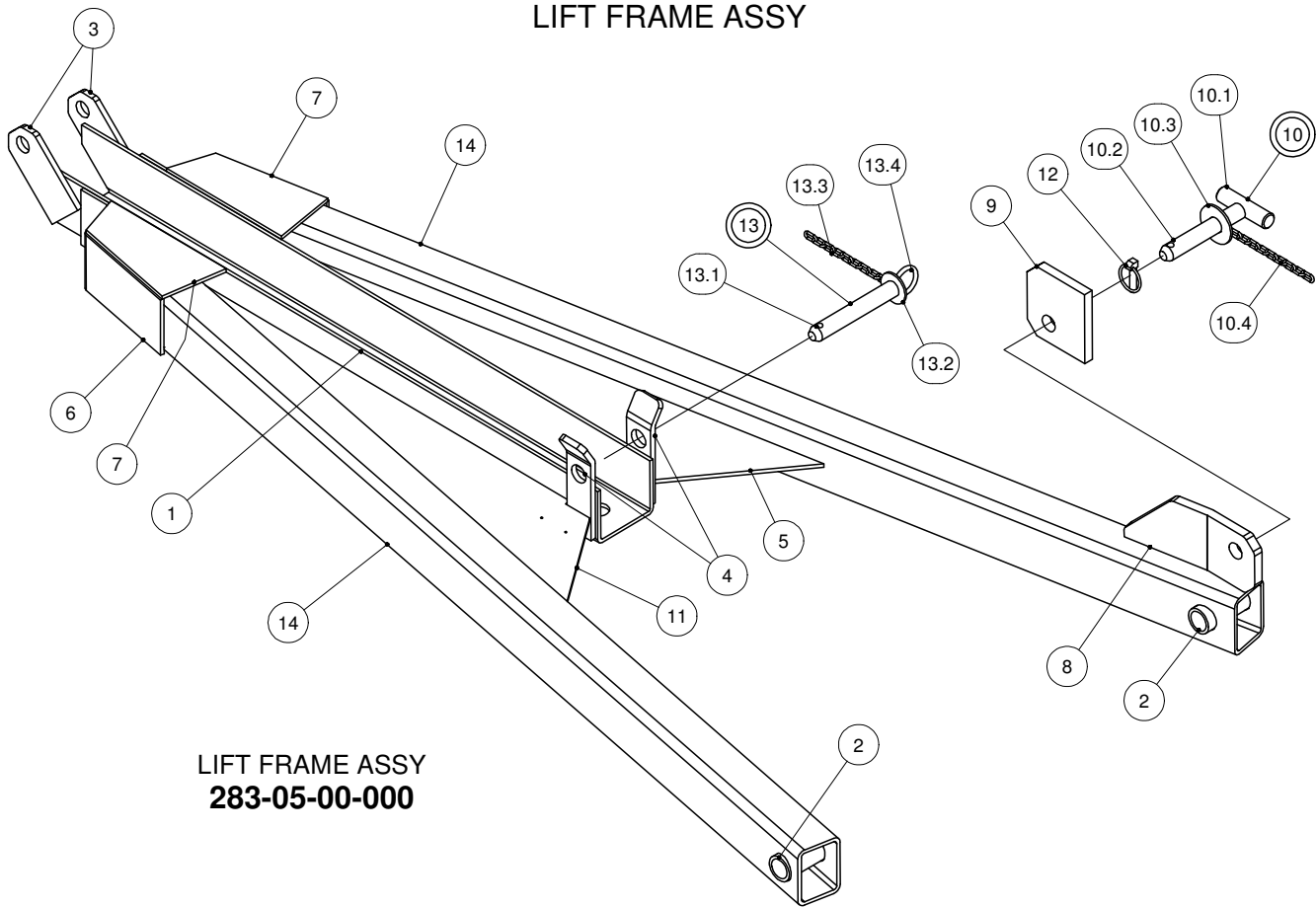
PARTS LIST			
ITEM	PART NUMBER	DESCRIPTION	QTY
1	480-01-00-002	HITCH FRAME TOP PC	1
2	480-01-00-001	HITCH FRAME SIDE	2
3	480-01-00-005	HITCH PLATE	2
4	480-01-00-004	GUSSET	2
5	480-01-00-003	UPPER LINK CONN PLATE	1
6	480-01-00-044	PTO RETAINING CHAIN	1
7	480-01-00-008	CHAIN BRKT	1
8	480-01-00-093	OUTER UPPER LINK CONN PLATE	1
9	480-01-00-091	HITCH PLATE	2

**STAND ASSY  
480-06-00-000**



PARTS LIST			
ITEM	PART NUMBER	DESCRIPTION	QTY
1	480-06-00-045	STAND LEG	1
2	480-06-00-046	STAND FOOT	1

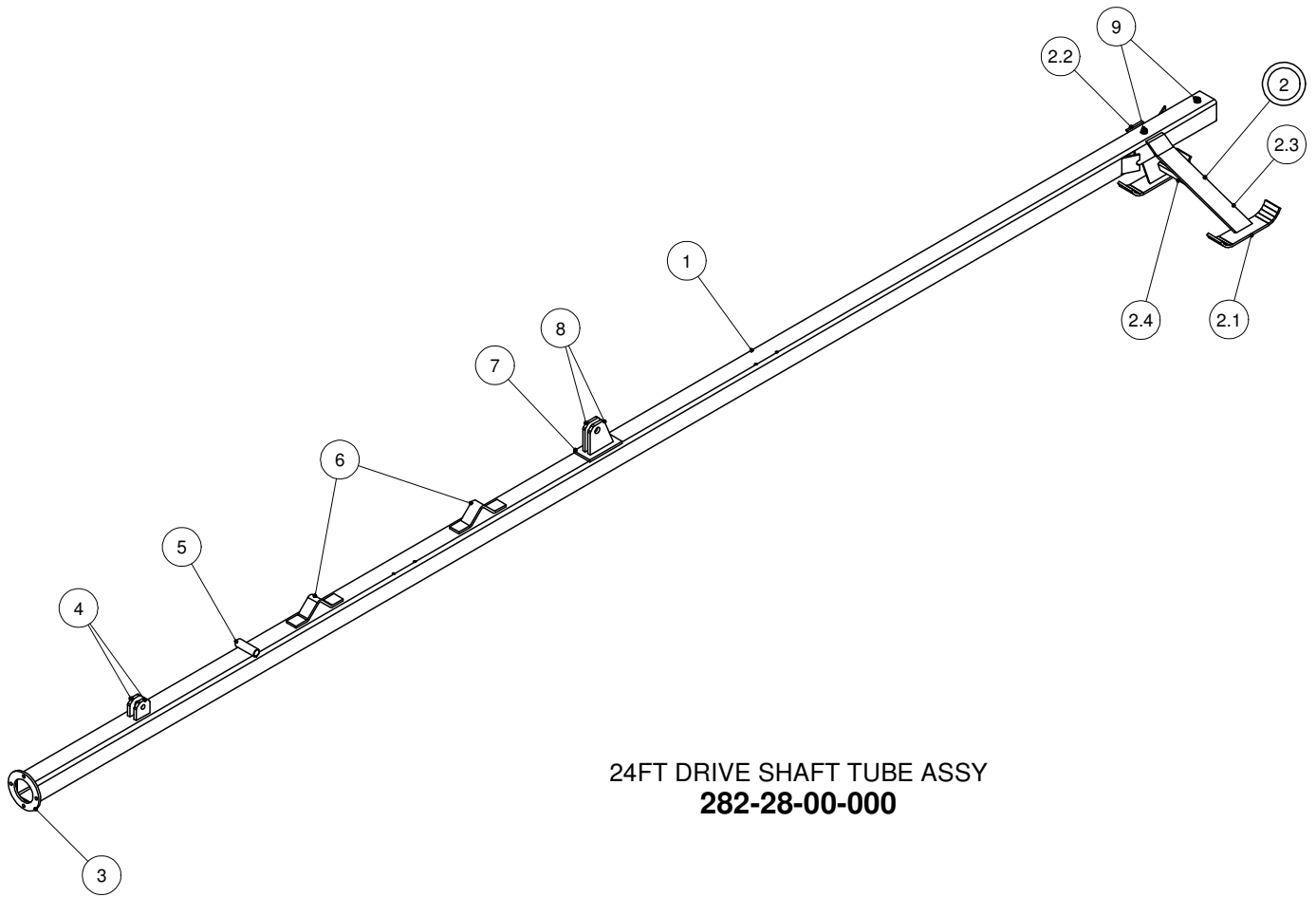
# LIFT FRAME ASSY



**LIFT FRAME ASSY  
283-05-00-000**

PARTS LIST			
ITEM	PART NUMBER	DESCRIPTION	QTY
1	280-23-00-078	MAIN TUBE SEAT	1
2	480-03-00-015	BUSHING	2
3	280-23-00-080	PIVOT PIN BRKT	2
4	280-23-00-081	HOLD DOWN PIN BRKT	2
5	283-05-00-013	RH LOWER LIFT ARM GUSSET	1
6	283-05-00-014	LOWER LIFT ARM CAP	2
7	283-05-00-015	LIFT ARM CAP	2
8	283-01-00-006	PIVOT BRKT	1
9	283-01-00-007	FRAME LOCK BRKT	1
10	280-23-05-000	PIVOT BRKT PIN ASSY	1
10.1	280-23-05-091	PIVOT BRKT PIN HANDLE	1
10.2	280-23-05-092	PIVOT BRKT PIN	1
10.3	R07828	1" FLAT WASHER	1
10.4	280-20-03-071	TEE BAR CHAIN	1
11	283-05-00-012	LH LOWER LIFT ARM GUSSET	1
12	R08040	2 - 18 LYNCH PIN	1
13	280-23-04-000	HOLD DOWN PIN ASSY	1
13.1	280-23-04-084	HOLD DOWN PIN	1
13.2	R07827	3/4" FLAT WASHER	1
13.3	280-20-03-071	TEE BAR CHAIN	1
13.4	250-00-00-354	1/4 X 1 1/2" RING	1
14	283-05-00-011	LIFT ARM	2

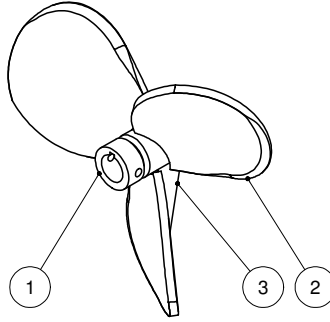
# DRIVE SHAFT TUBE ASSY - 24FT



**24FT DRIVE SHAFT TUBE ASSY  
282-28-00-000**

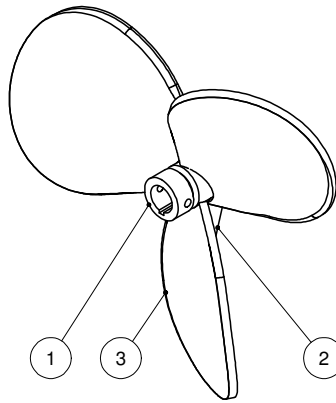
PARTS LIST			
ITEM	PART NUMBER	DESCRIPTION	QTY
1	282-28-00-106	DRIVE SHAFT TUBE - 24FT	1
2	280-08-00-000	REAR SUPPORT ASSY	1
2.1	280-08-00-039	REAR SUPPORT PADS	2
2.2	280-08-00-038	L.H. REAR SUPPORT LEG	1
2.3	280-08-00-037	R.H. REAR SUPPORT LEG	1
2.4	280-08-00-040	LEG BRACE	1
3	280-04-00-051	BEARING FLANGE	1
4	280-04-0-086	LIFT ARM LUG	2
5	280-04-00-087	PIVOT PIN PIPE	1
6	300-01-00-012	TANK LIFT HOOK	2
7	280-26-00-111	REINFORCING PLATE	1
8	280-04-00-088	CYLINDER BAR BRKT	2
9	R08304	1/2-13 UNC SS FLANGE NUT	2

## PROPELLER BLADES



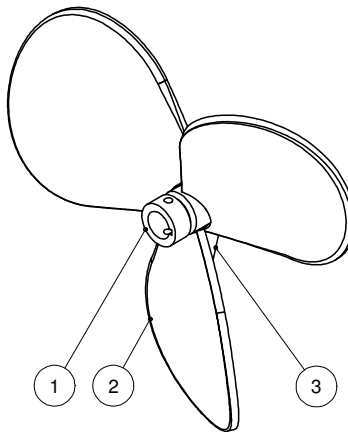
**Ø21.13"**  
 1000 RPM - 100 HP  
 OPTIONAL PROPELLER  
**280-16-00-000**

PARTS LIST			
ITEM	PART NUMBER	DESCRIPTION	QTY
1	280-07-00-034	PROPELLER HUB	1
2	280-16-00-050	1000 RPM PROP BLADE	3
3	280-07-00-035	GUSSET	3



**Ø26.6"**  
 540 RPM - 80HP  
 STANDARD PROPELLER  
**280-15-00-000**

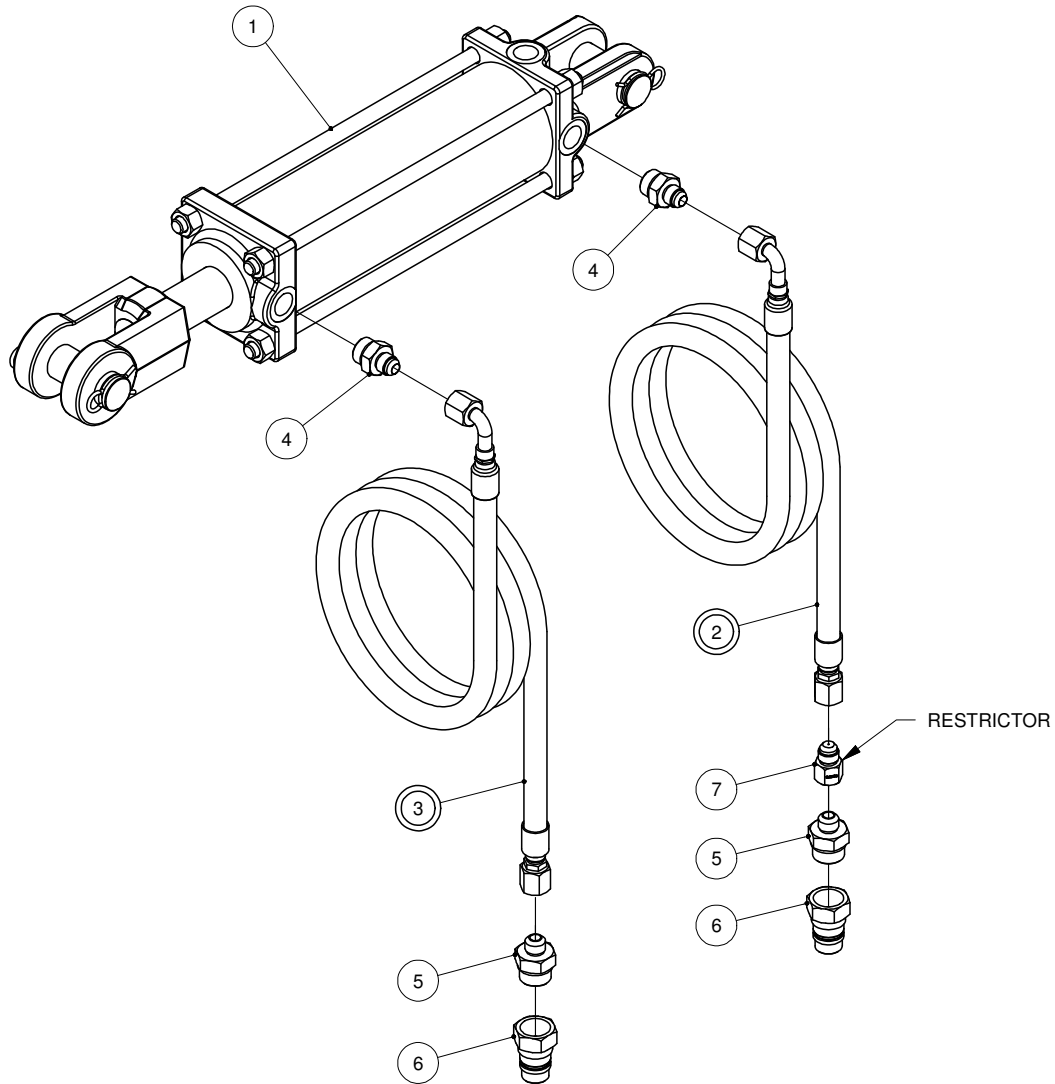
PARTS LIST			
ITEM	PART NUMBER	DESCRIPTION	QTY
1	280-07-00-034	PROPELLER HUB	1
2	280-07-00-035	GUSSET	3
3	280-15-00-049	540 RPM PROPELLER BLADE	3



**Ø28.56"**  
 540 RPM - 120 HP  
 OVERSIZE PROPELLER  
**280-31-00-000**

PARTS LIST			
ITEM	PART NUMBER	DESCRIPTION	QTY
1	280-07-00-034	PROPELLER HUB	1
2	280-31-00-109	540 OVERSIZED PROP BLADE	3
3	280-07-00-035	GUSSET	3

# OPTIONAL LIFT KIT

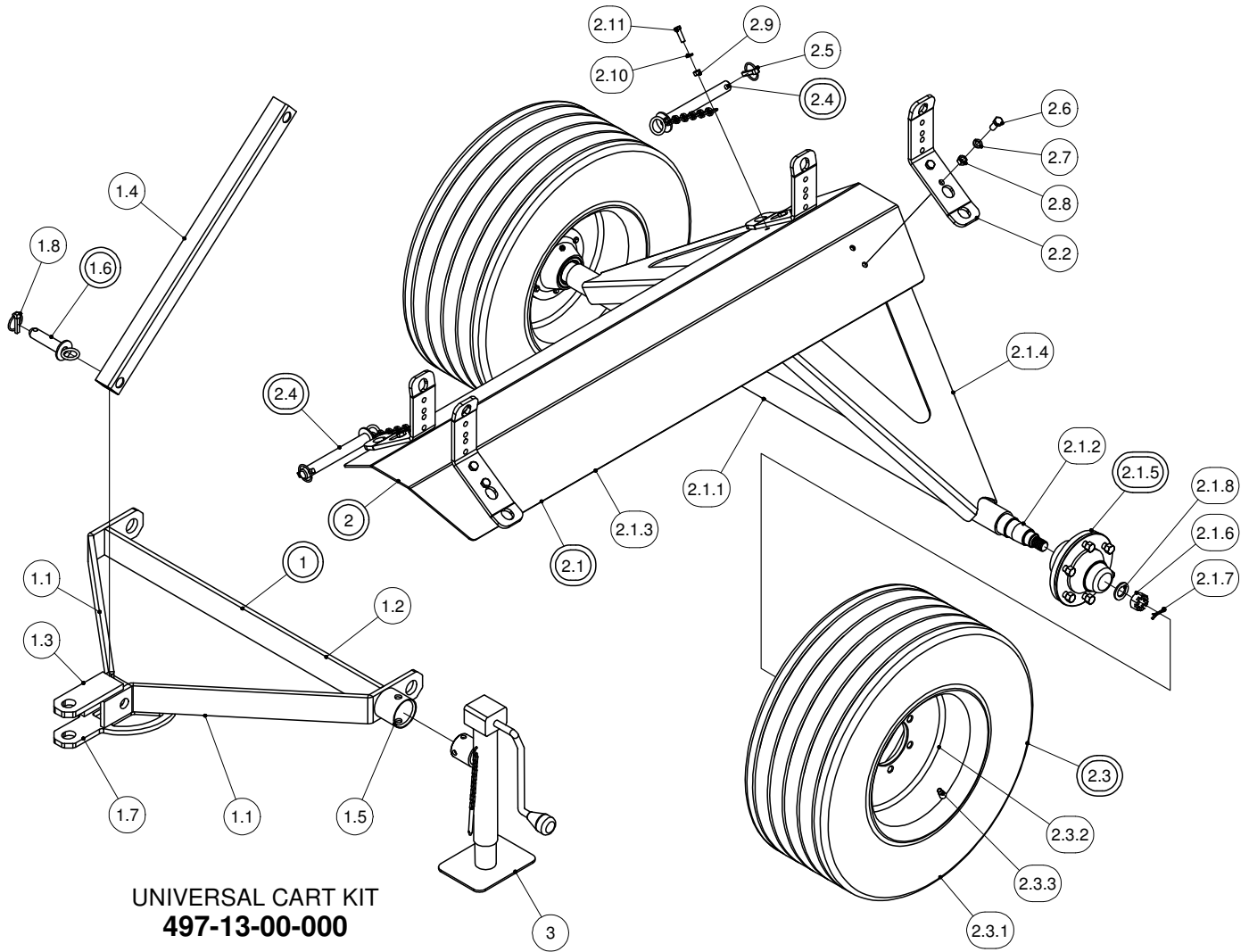


## OPTIONAL LIFT CYLINDER KIT 280-30-00-000

PARTS LIST			
ITEM	PART NUMBER	DESCRIPTION	QTY
1	R23287	30TH08 HYD CYL-ORB	1
2	242-34-00-000	HYD HOSE ASSY-TRACTOR TO FR OF TIP CYL	1
3	242-35-00-000	HYD HOSE ASSY-TRACTOR TO REAR OF TIP CYL	1
4	R23091	ORB-8 X 3/8" JIC M ADAPTOR	2
5	R23094	ORB-10 x 3/8" JIC M ADAPTOR	2
6	R23182	MALE PIONEER TIP-ORB-10	2
7	R23193	3/8" JIC M. x 3/8" JIC F. RESTRICTOR	1



# UNIVERSAL CART KIT

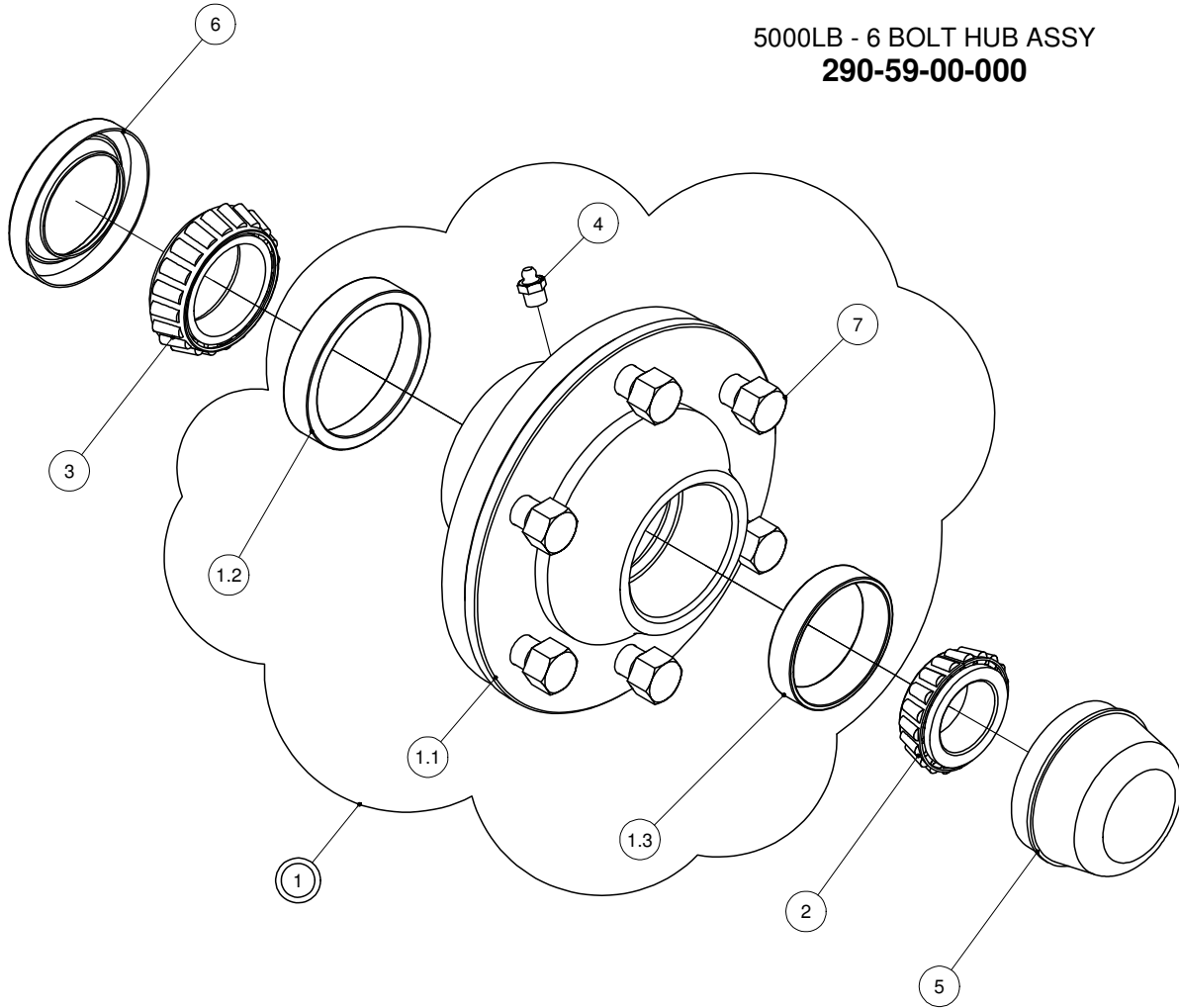


**UNIVERSAL CART KIT  
497-13-00-000**

PARTS LIST				PARTS LIST			
ITEM	PART NUMBER	DESCRIPTION	QTY	ITEM	PART NUMBER	DESCRIPTION	QTY
1	497-13-01-000	TOW FRAME ASSY	1	2.1.7	R08015	3/16 x 2 COTTER PIN	2
1.1	497-13-01-035	TOW FRAME BAR	2	2.1.8	R20154	SPINDLE WASHER	2
1.2	497-13-01-036	TOW REINFORCING BAR	1	2.2	480-32-00-112	UNIVERSAL CLAMP BRKT	4
1.3	497-13-01-037	TOW HITCH PLATE	1	2.3	247-07-00-000	TIRE & WHEEL ASSY P275/60R15	2
1.4	497-13-01-040	TOW FRAME BAR	1	2.3.1	R22560	P275 60R15 PASSENGER TIRE	1
1.5	364-35-00-245	TONGUE JACK BRKT	1	2.3.2	R20045	15 x 8 x 6 BOLT WHEEL	1
1.6	200-42-00-000	STABILIZER BAR PIN ASSY-LONG	1	2.3.3	R20020	VALVE STEM	1
1.7	497-13-01-038	TOW HITCH LOWER PLATE	1	2.4	480-10-03-000	PIN & CHAIN ASSY	2
1.8	R08040	2 - 18 LYNCH PIN	1	2.5	R08040	2 - 18 LYNCH PIN	2
2	480-32-02-000	AGITATOR CART KIT LESS TOW PKG	1	2.6	R08217	1/2 x 1 1/4 SS UNC HEX BOLT	8
2.1	480-32-01-000	AGITATOR FRAME ASSY	1	2.7	R08414	1/2" SS LOCK WASHER	8
2.1.1	480-10-01-054	TRAILER CROSS TUBE	1	2.8	R08235	1/2-13 SS UNC HEX NUT	8
2.1.2	247-01-01-033	SPINDLE	2	2.9	R08440	3/8-16 SS UNC HEX NUT	2
2.1.3	480-32-01-110	AGITATOR CART BASE PLATE	1	2.10	R08319	3/8" SS LOCK WASHER	2
2.1.4	480-32-01-111	AGITATOR CART "V" FRAME	2	2.11	R08410	3/8 x 1 1/4 SS UNC HEX BOLT	2
2.1.5	290-59-00-000	5000LB - 6 BOLT HUB ASSY	2	3	R09751	7000LB SIDE WIND JACK	1
2.1.6	R20117	SPINDLE NUT	2				

# 5000LB 6 BOLT HUB ASSY

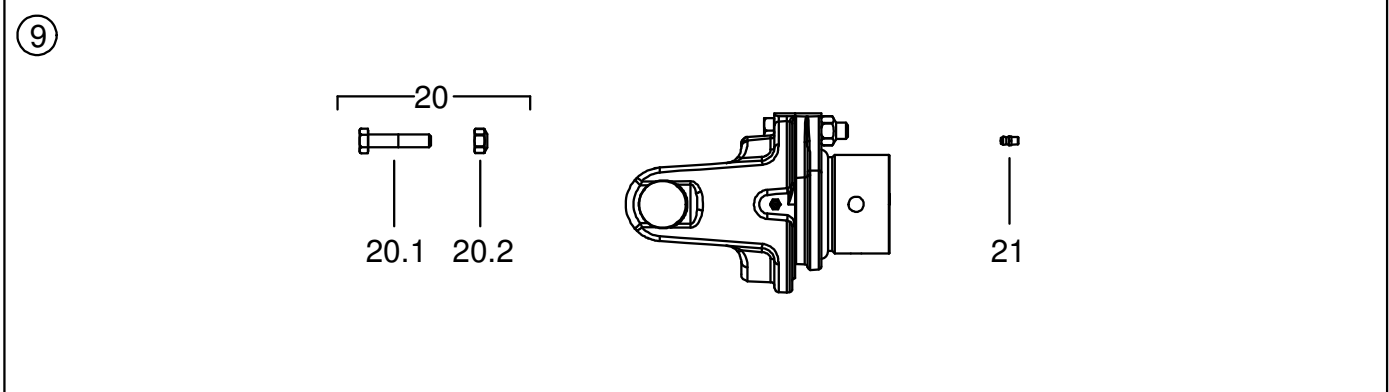
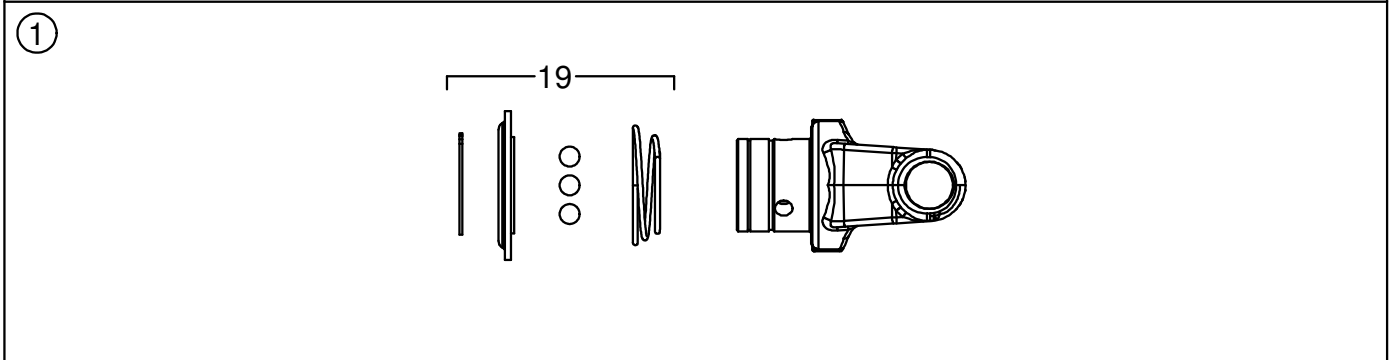
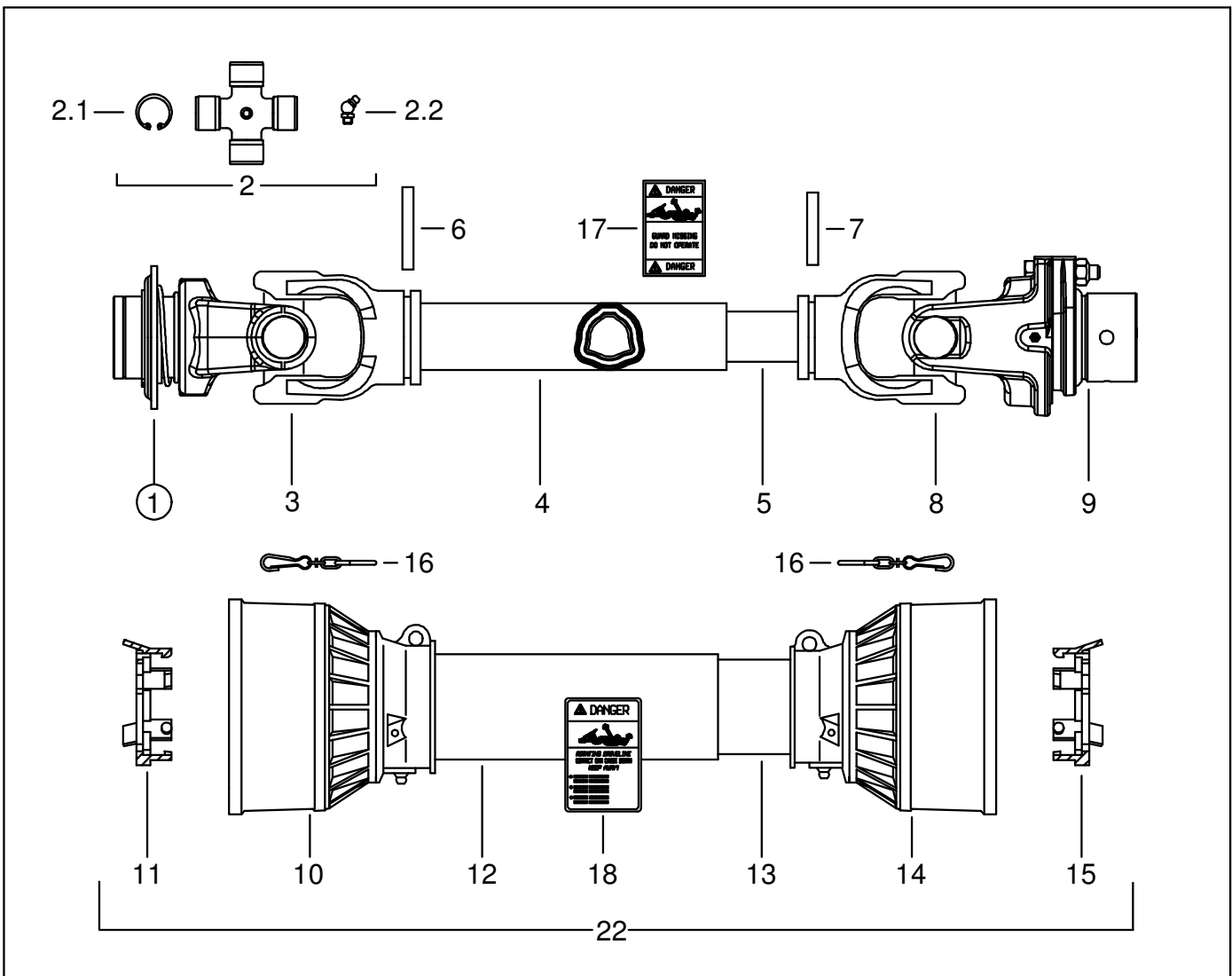
5000LB - 6 BOLT HUB ASSY  
**290-59-00-000**



PARTS LIST			
ITEM	PART NUMBER	DESCRIPTION	QTY
1	R22055	5000LB HUB w/ CUPS	1
1.1	R22054	5000LB HUB - 6 BOLT	1
1.2	R22058	INNER CUP LM603011	1
1.3	R22060	OUTER CUP LM48510	1
2	R22061	OUTER CONE LM48548	1
3	R22059	INNER CONE LM603049	1
4	R08186	1/8" NPT GREASE FTG	1
5	R22062	DUST CAP	1
6	R22063	SEAL CR2004	1
7	R20110	9/16 UNF WHEEL BOLT	6

This Page is Intentionally Left Blank

# PROPELLER AGITATOR PTO



## PROPELLER AGITATOR PTO

**R22200** - 1 3/8" 6 TOOTH - 540 RPM (STANDARD)

**R22201** - 1 3/8" 21 TOOTH - 1000 RPM

**R22202** - 1 3/4" 20 TOOTH - 1000 RPM

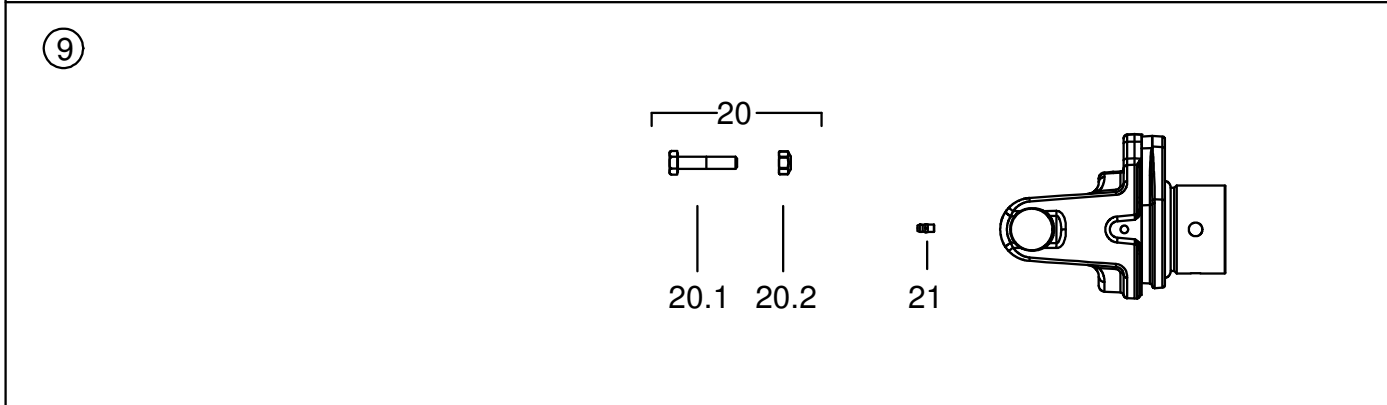
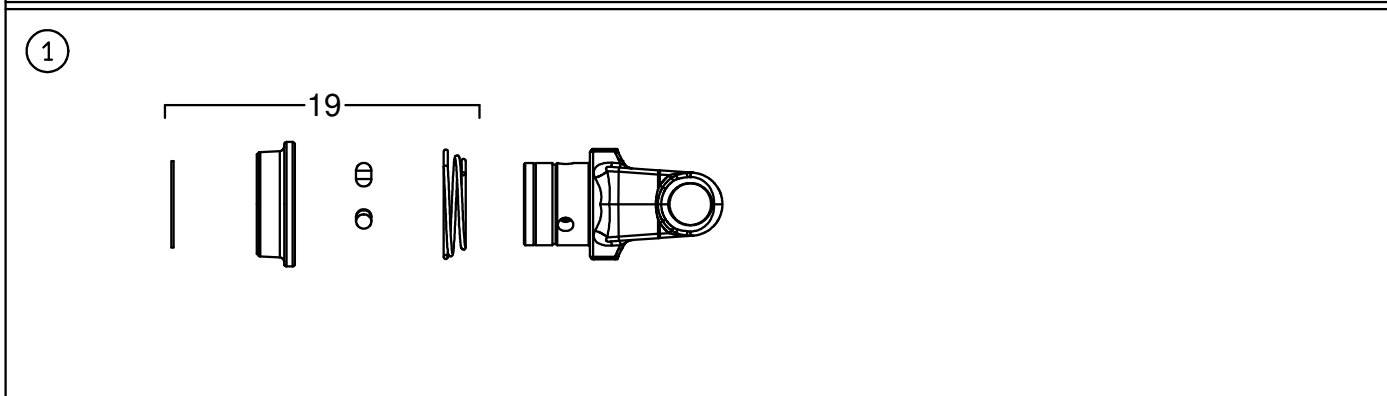
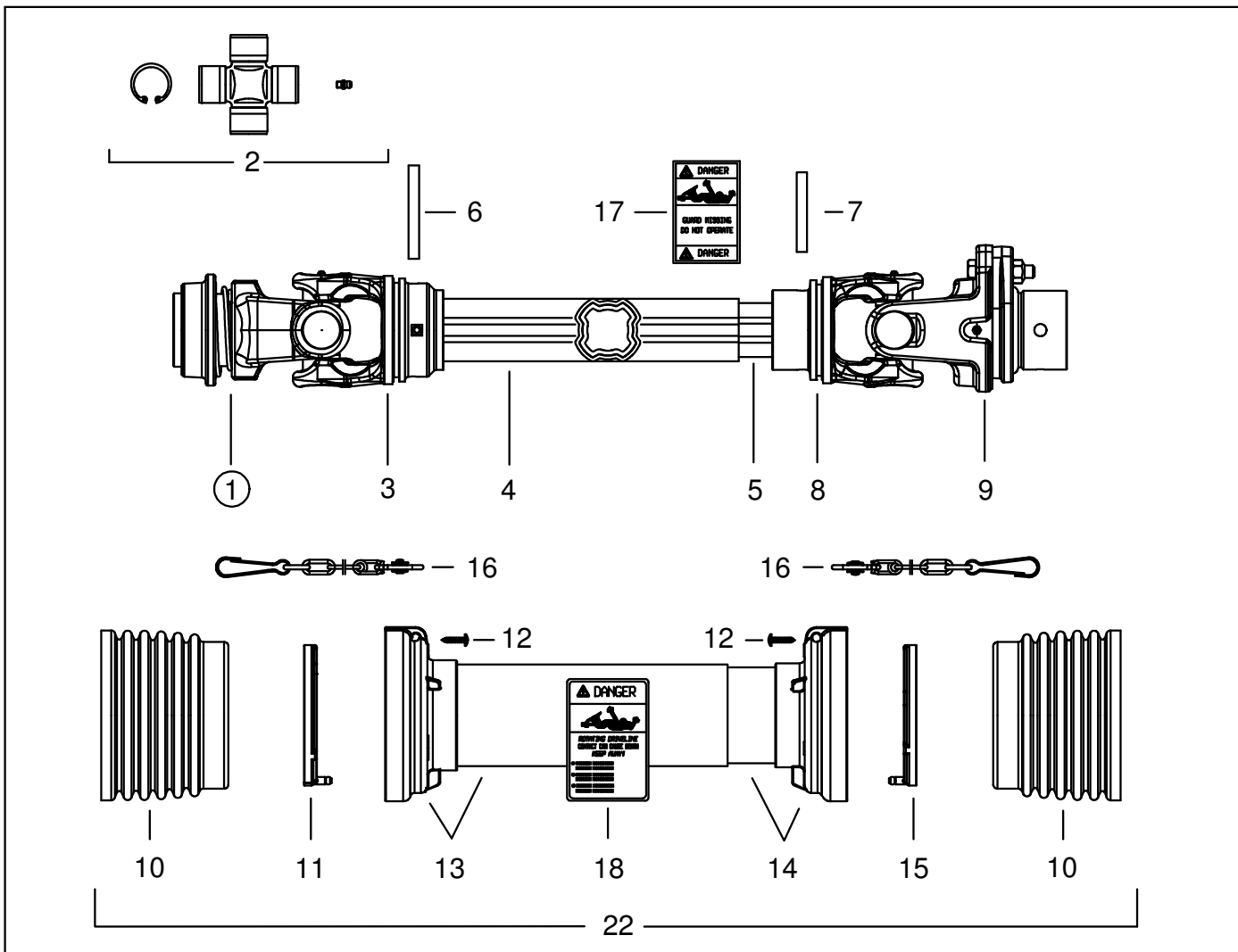
PARTS LIST				
ITEM	MFG NUMBER	PART NUMBER	DESCRIPTION	QTY
1	5720M0355	R22330	1 3/8 - 6 TOOTH QD YOKE w/ SLEEVES 540 rpm	1
	5720M3755	R22332	1 3/8 - 21 TOOTH QD YOKE w/ SLEEVES 1000 rpm	1
	5720M3855	R22333	1 3/4 - 20 TOOTH QD YOKE w/ SLEEVES 1000 rpm	1
2	4120M0011R20	R21614	CROSS KIT - S9 34.9x106	2
2.1	338023000	R21621	CIRCLIP	4
2.2	348004000	R21655	GREASE NIPPLE 45°	1
3	204086860	R21620	YOKE #8 OUTER TUBE	1
4	225730803	R21616	CARDAN DRIVE TUBE - OUTER	1
5	225690803	R21615	CARDAN DRIVE TUBE - INNER	1
6	341054000R10	R21613	FLEXIBLE PIN - OUTER 12x90mm	1
7	341055000R10	R21612	FLEXIBLE PIN - INNER 12x75mm	1
8	204086861	R21619	YOKE #8 INNER TUBE	1
9	6060M8801	R21648	1 3/4" RD HOLE SHEAR YOKE	1
10	517080130	R21610	OUTER SHIELD CONE	1
11	255080005R02	R21609	OUTER SHIELD SUPPORT	1
12	236850752	R21618	CM SAFETY TUBE-OUTER	1
13	236840752	R21617	CM SAFETY TUBE-INNER	1
14	517080120	R21611	INNER SHIELD CONE	1
15	255080006R02	R21608	INNER SHIELD SUPPORT	1
16	252000050R02	R21738	SHIELD TIE CHAIN	2
17	399143000	R21523	"SHIELD MISSING" DECAL	1
18	399141000	R21521	ROTATING DRIVELINE DECAL	1
19	240003551	R21713	R.S. COLLAR KIT	1
20	-	480-31-00-000	SHEAR BOLT 5-PACK	1
20.1	-	R21639	M12-1.75 x55 HEX BOLT GR 8.8 (NOT FOR INDIVIDUAL SALE)	1
20.2	-	R21604	M12-1.75 NYLOCK NUT (NOT FOR INDIVIDUAL SALE)	1
21	348017000R20	R21687	GREASE NIPPLE M6x1 STRAIGHT	1
22	5F08101FFUC	R21629	COMPLETE SHIELD KIT	1

**Attention:**

When ordering PTO driveline parts, please note if your machine was equipped with a 3 lobe or 4 lobe drivetube. Most components are not interchangeable between versions.

Ensure proper version **before** ordering parts.

# PROPELLER AGITATOR PTO - 4 LOBE



## PROPELLER AGITATOR PTO - 4 LOBE

**R22200** - 1 3/8" 6 TOOTH - 540 RPM (STANDARD)

**R22201** - 1 3/8" 21 TOOTH - 1000 RPM

**R22202** - 1 3/4" 20 TOOTH - 1000 RPM

PARTS LIST				
ITEM	MFG NUMBER	PART NUMBER	DESCRIPTION	QTY
1	5720L0356	R23396	1 3/8 - 6 T QD YOKE & COLLAR 540 rpm	1
	5720L3757	R23397	1 3/8 - 21 T QD YOKE & COLLAR 1000 rpm	1
	5720L3859	R23398	1 3/4 - 20 T QD YOKE & COLLAR 1000 rpm	1
2	4120L0012R24	R23399	#8 CROSS KIT - 34.9x93.5	2
3	2040L6869	R23400	#8 OUTER 4 LOBE TUBE YOKE	1
4	341046000R10	R23401	FLEXIBLE ROLL PIN 10x85mm	1
5	2253Z0835	R23402	#8 OUTER DRIVE TUBE L-835	1
6	2253V0855	R23403	#8 INNER DRIVE TUBE L-855	1
7	341042000R10	R23404	FLEXIBLE ROLL PIN 10x75mm	1
8	2040L6865	R23405	#8 INNER 4 LOBE TUBE YOKE	1
9	6060L8801R	R23407	1 3/4" RD HOLE SHEAR YOKE & COLLAR	1
10	2190L0201	R23408	#8 CONE BELL 160x120x100	2
11	2550G0001R02	R23409	#8 SHIELD SUPPORT - OUTER	1
12	310001431R30	R23394	SCREW - SELF TAP 4.8x22mm	6
13	5TNN1H8101U	R23410	#8 TUBE & CONE SHIELD - OUTER	1
14	5MNN1H8101U	R23411	#8 TUBE & CONE SHIELD - INNER	1
15	2550G0002R02	R23412	#8 SHIELD SUPPORT - INNER	1
16	252000101R02	R21738	SHIELD TIE CHAIN	2
17	399143000	R21523	"SHIELD MISSING" DECAL	1
18	399141000	R21521	ROTATING DRIVELINE DECAL	1
19	435000332R	R23413	1 3/8" BALL COLLAR KIT #8	1
	435000425R	R23414	1 3/4" BALL COLLAR KIT #8	1
20	-	480-31-00-000	SHEAR BOLT 5-PACK	1
20.1	-	R21639	M12-1.75 x55 HEX BOLT GR 8.8 (NOT FOR INDIVIDUAL SALE)	1
20.2	-	R21604	M12-1.75 NYLOCK NUT (NOT FOR INDIVIDUAL SALE)	1
21	348017000R20	R21687	GREASE NIPPLE M6x1 STRAIGHT	1
22	5CH8101U2SS	R23416	COMPLETE SHIELD KIT	1

**Attention:**

When ordering PTO driveline parts, please note if your machine was equipped with a 3 lobe or 4 lobe drivetube. Most components are not interchangeable between versions.

Ensure proper version **before** ordering parts.

## **GUARANTEE**

All Husky Farm Equipment manufactured by Husky Farm Equipment Limited is guaranteed. Guarantee covers all the replacement cost or repair of all parts said to be defective from manufacture. Guarantee also covers labour installing said parts, if installed at Husky Manufacturing plant. Time and use is the essence of the guarantee. If equipment is used on a private property for an individual's use, guarantee will be in effect for twelve months from date of invoice. If equipment is used for commercial use to do custom work for money then guarantee will be in effect for three months only from date of invoice.

## **EXEMPTIONS FROM GUARANTEE**

Cost of transportation of equipment to or from Husky Farm Equipment Limited either by customer or by Husky's service staff or cost of mail or public transportation is not covered. Tires and electric or hydraulic motors are covered by manufacturer's warranty and although Husky may assist to get warranty, Husky will not be responsible other than that allowed by manufacturer's warranty. Items subject to normal wear from use not covered by guarantee if faulty part is simply worn.