

Office Copy

01/02/2006 -

14na

Date Purchased _____ Machine Serial No. _____

4/10/06 -

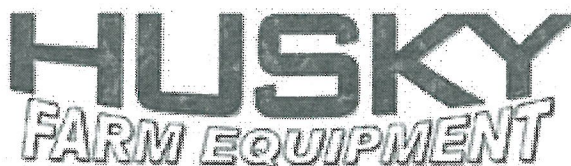
10 "

Size of Spreader _____ Options _____

The key number system in this parts book is arranged as follows:

- ⊙ - Key numbers with two circles denotes main assemblies.
- - Key numbers with one circle are individual parts

Please order parts by number



35ft HD PROPELLER AGITATOR

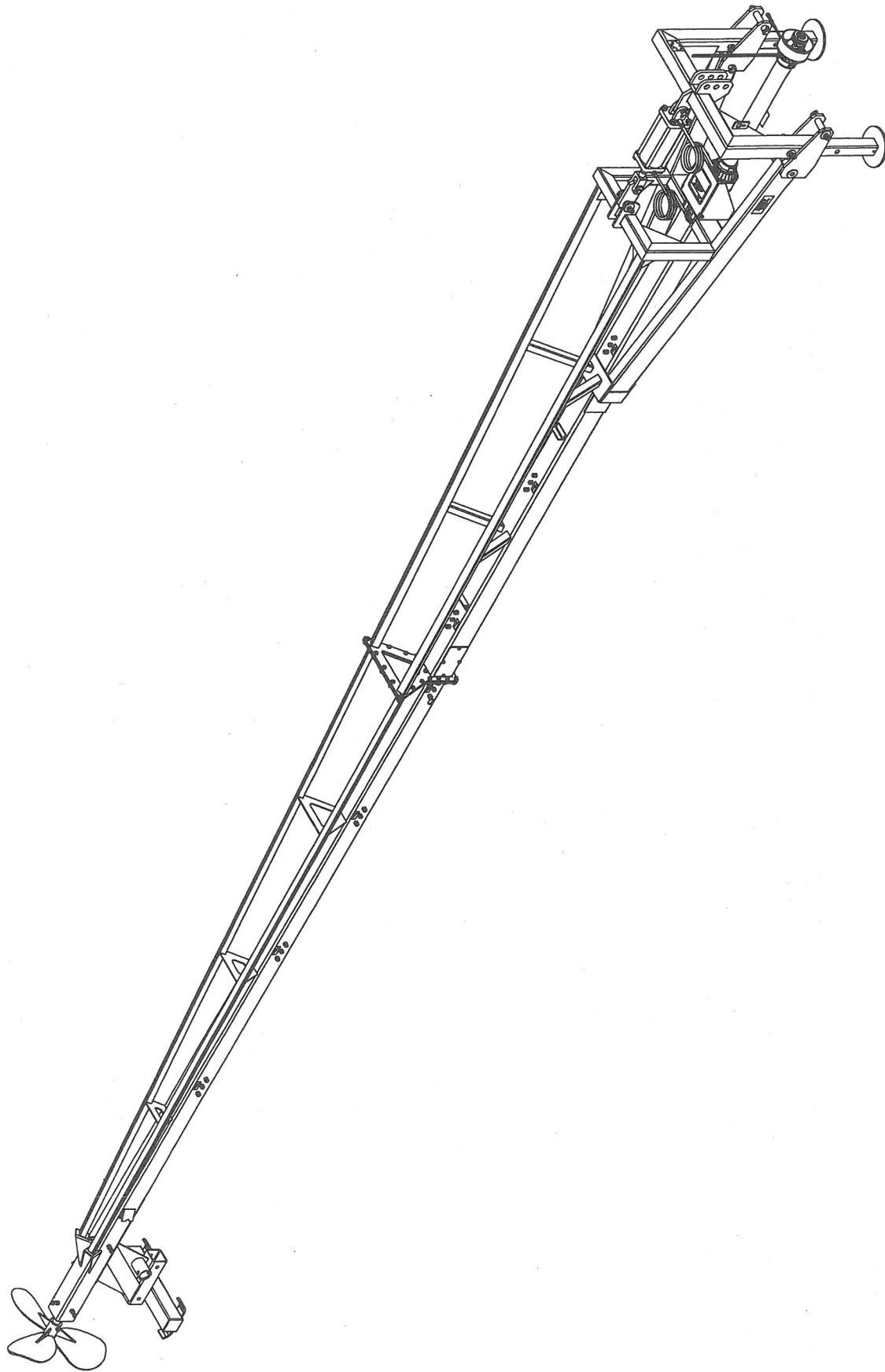
480-00-00-000

OPERATING INSTRUCTIONS:

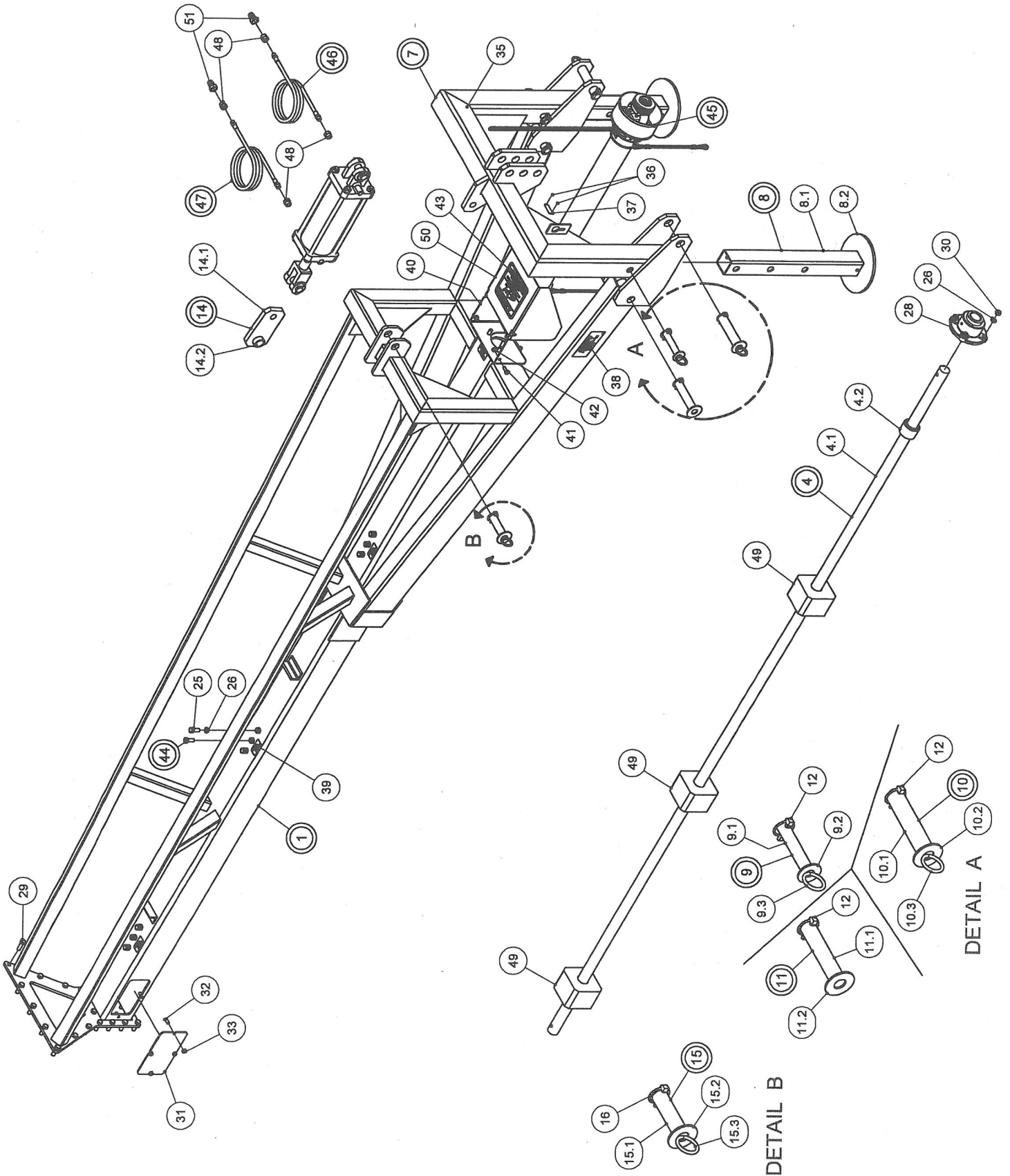
We welcome you as an owner of a Husky Propeller Agitator. To ensure this machine reaches its maximum life span and operates at an optimum level, we recommend the following:

1. Do not leave propeller in manure pit – remove propeller from pit – wash off and coat with old oil or diesel fuel.
2. Grease top thrust bearing five to ten shots daily.
3. Grease the wood bearings five shots daily.
4. Grease the PTO knuckles daily and oil the slide tube.
5. Make sure when in use that the PTO knuckles are both taking equal amount of bend otherwise propeller might vibrate.
6. **EXTREME DANGER** – Never enter a dirty manure spreader or storage tank – one breath of hydrogen sulphide gas is enough to kill. Have a ladder in your pit, so that if by accident you should fall in, you can get out.

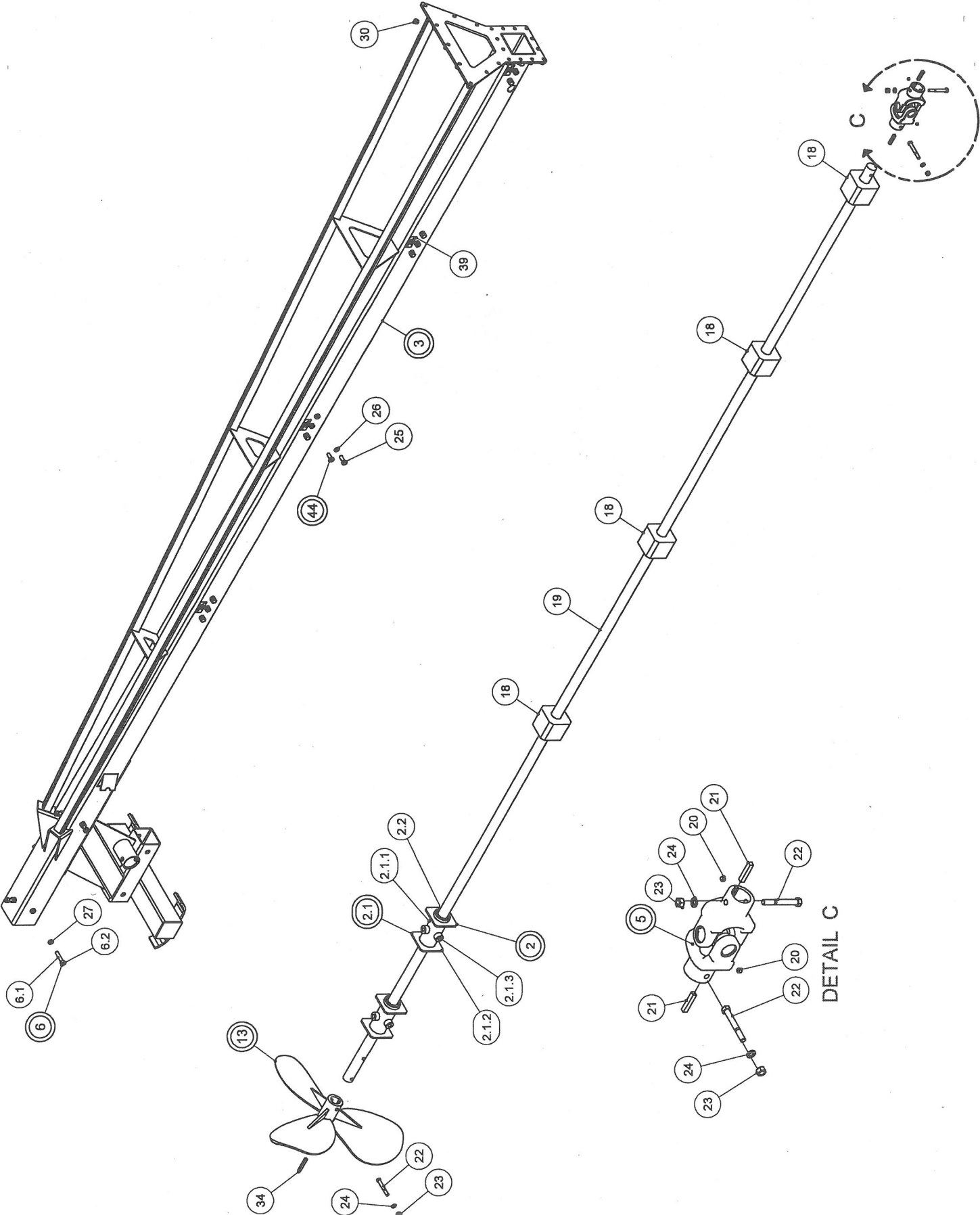
35 FT HD PROPELLER AGITATOR



35 FT HD PROPELLER AGITATOR ASSY



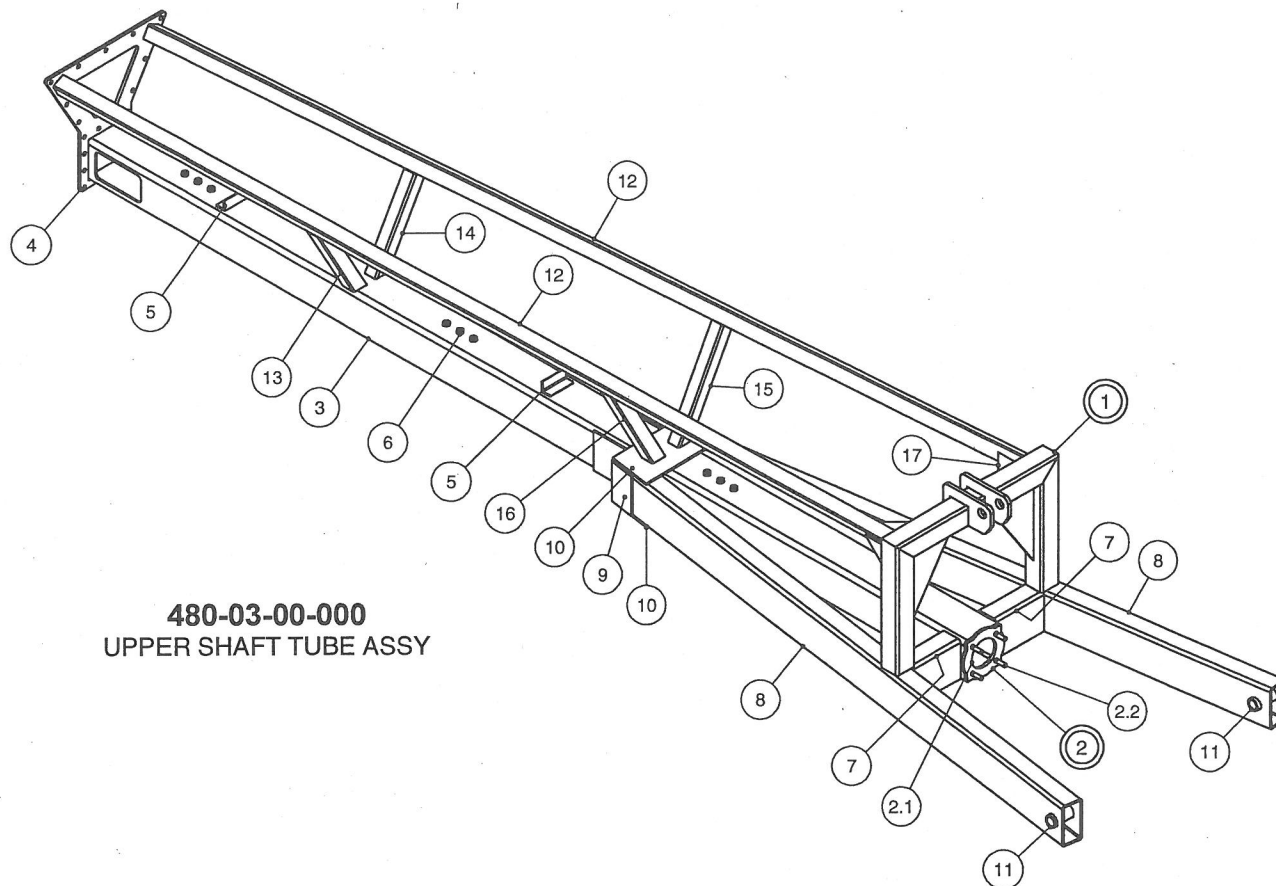
35 FT HD PROPELLER AGITATOR ASSY



35 FT PROPELLER AGITATOR ASSY

PARTS LIST				PARTS LIST			
ITEM	PART NUMBER	DESCRIPTION	QTY	ITEM	PART NUMBER	DESCRIPTION	QTY
1	480-03-00-000	UPPER SHAFT TUBE ASSY	1	15.3	250-00-00-354	1/4 X 1 1/2" RING	1
2	250-76-00-000	MARINE BRG & HOLDER COMPLETE	2	16	R08041	1/4" LYNCH PIN	1
2.1	250-76-34-000	MARINE BRG HOLDER ASSY	1	17	R22246	5 x 12 HYDRAULIC CYLINDER	1
2.1.1	250-76-34-180	URETHANE BRG SLEEVE	1	18	R20233	1 7/8 SQUARE WOOD BRG	4
2.1.2	250-76-34-181	BRG SLEEVE HOLDER	2	19	480-00-00-043	LOWER DRIVE SHAFT	1
2.1.3	250-76-34-256	STABILIZER SLEEVE	2	20	R07909	3/8 x 3/8 SET SCREW	2
2.2	R20280	URETHANE	1	21	270-00-00-075	3/8 KEY - 50mm LONG	2
3	480-04-00-000	LOWER SHAFT TUBE ASSY	1	22	R07633	7/16 x 3 1/2 HEX BOLT	4
4	480-02-00-000	UPPER SHAFT ASSY	1	23	R07784	7/16 HEX NUT	4
4.1	480-02-00-010	UPPER SHAFT	1	24	R07804	7/16 LOCK WASHER	4
4.2	280-05-00-031	THRUST BEARING BLOCK	1	25	R07674	1/2 x 1 1/4 HEX BOLT	14
5	270-32-00-000	KNUCKLE ASSY	1	26	R07805	1/2 LOCK WASHER	39
6	250-59-00-000	SET SCREW ASSY	4	27	R08046	1/2 - 13 JAM NUT	4
6.1	250-59-00-141	SS SET SCREW REDDI ROD	1	28	R20206	1 3/4" THRUST BEARING	1
6.2	R08235	1/2 S.S. HEX NUT	1	29	R07638	1/2 x 1 1/2 HEX BOLT	21
7	480-01-00-000	HITCH FRAME ASSY	1	30	R07785	1/2 HEX NUT	25
8	480-06-00-000	STAND ASSY	2	31	480-00-00-024	COVER PLATE	1
8.1	480-06-00-045	STAND LEG	1	32	R08323	3/8 x 1 WELD STUD	4
8.2	480-06-00-046	STAND FOOT	1	33	R07794	3/8 FLANGE NUT	4
9	480-15-00-000	LEG PIN ASSY	2	34	480-00-00-075	3/8 x 75mm KEY	1
9.1	480-15-00-068	LEG PIN	1	35	R09508	"MADE IN CANADA" DECAL - LARGE	1
9.2	R07827	3/4" FLAT WASHER	1	36	R08152	6 x 1/4 PAN HD SOCKET SCREW	2
9.3	250-00-00-354	1/4 X 1 1/2" RING	1	37	R09071	SERIAL NUMBER PLATE	1
10	480-13-00-000	HITCH PIN ASSY	2	38	R09502	"HUSKY" DECAL	1
10.1	480-13-00-067	HITCH PIN	1	39	R09582	GREASE SYMBOL DECAL	8
10.2	R07828	1" FLAT WASHER	1	40	485-00-00-047	PTO GUARD BRKT	1
10.3	250-00-00-354	1/4 X 1 1/2" RING	1	41	R07619	3/8 x 1 HEX BOLT	2
11	480-08-00-000	PIVOT PIN ASSY	2	42	R07886	3/8 - 2 WAY LOCK NUT	2
11.1	480-08-00-048	PIVOT PIN	1	43	R09785	"DANGER ROTATING DRIVELINE"	1
11.2	R07828	1" FLAT WASHER	1			DECAL	
12	R08040	2 - 18 LYNCH PIN	6	44	244-88-00-000	WOOD BEARING GREASE BOLT KIT	7
13	480-12-00-000	3 BLADE PROPELLER ASSY	1	45	R22201	540 RPM PROP AGITATOR PTO	1
14	480-07-00-000	CYLINDER BAR ASSY	1	46	250-87-51-000	HYDRAULIC HOSE ASSY	1
14.1	480-07-00-047	CYLINDER BAR	1	47	250-87-52-000	HYDRAULIC HOSE ASSY	1
14.2	480-07-00-049	BUSHING	1	48	R02043	BUSHING 1/2 x 3/8	4
15	480-09-00-000	CYLINDER PIN ASSY	1	49	R22148	5.40" SQ WOOD BEARING	3
15.1	480-09-00-050	CYLINDER BAR PIN	1	50	296-00-00-033	PTO GUARD	1
15.2	R07828	1" FLAT WASHER	1	51	R21342	1/2" MALE PIONEER TIP	2

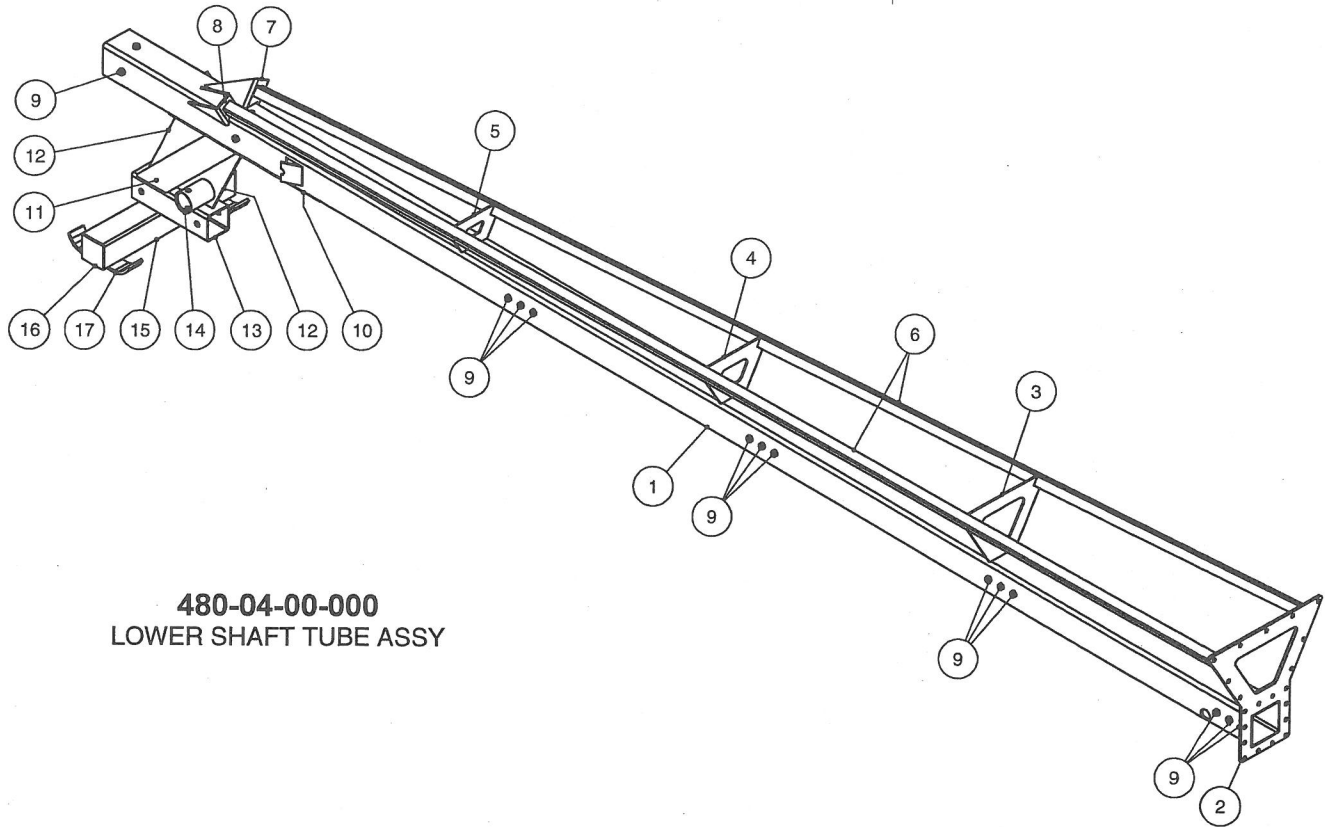
UPPER SHAFT TUBE ASSY



480-03-00-000
UPPER SHAFT TUBE ASSY

PARTS LIST			
ITEM	PART NUMBER	DESCRIPTION	QTY
1	480-03-02-000	FRAME SUB ASSY	1
2	480-03-03-000	BEARING FLANGE ASSY	1
2.1	480-03-00-012	BEARING FLANGE	1
2.2	R07639	1/2 x 2 HEX BOLT	4
3	480-03-00-011	UPPER TUBE	1
4	480-03-00-013	BRIDGE FLANGE	1
5	480-03-00-073	TRAILER STOP	2
6	R08304	1/2 S.S. FLANGE NUT	9
7	480-03-00-017	CROSS TUBE	2
8	480-03-00-014	LIFT ARM	2
9	480-03-00-018	"Z" BRACKET	2
10	480-03-00-021	LARGE GUSSET	2
11	480-03-00-015	BUSHING	2
12	480-03-00-023	REINFORCING TUBE	2
13	480-03-00-028	RH LOWER SUPPORT TUBE	1
14	480-03-00-006	LH LOWER SUPPORT TUBE	1
15	480-03-00-007	LH UPPER SUPPORT TUBE	1
16	480-03-00-029	RH UPPER SUPPORT TUBE	1
17	480-03-00-016	SMALL GUSSET	4

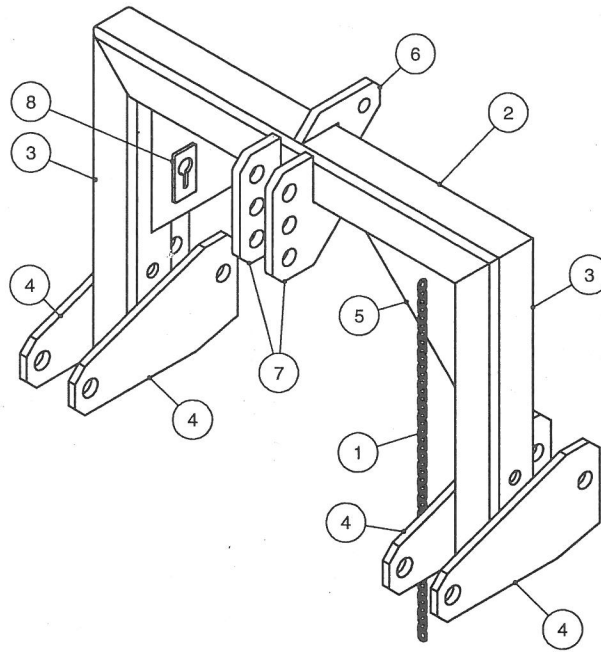
LOWER SHAFT TUBE ASSY



480-04-00-000
LOWER SHAFT TUBE ASSY

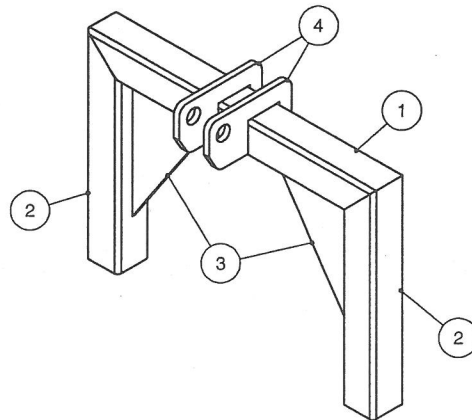
PARTS LIST			
ITEM	PART NUMBER	DESCRIPTION	QTY
1	480-04-00-030	LOWER SHAFT TUBE	1
2	480-04-00-027	LOWER BRIDGE FLANGE	1
3	480-04-00-070	UPPER SPACER PLATE	1
4	480-04-00-069	LOWER SPACER PLATE	1
5	480-04-00-074	BOTTOM SPACER PLATE	1
6	480-04-00-031	LOWER REINFORCING TUBE	2
7	480-04-00-032	LH STOP	1
8	480-04-00-033	RH STOP	1
9	R08304	1/2 S.S. FLANGE NUT	16
10	480-04-00-042	LEG BRACE PLATE	1
11	480-04-00-038	LEG	1
12	480-04-00-040	LEG GUSSET	2
13	480-04-00-026	TONGUE MOUNTING TUBE	1
14	480-04-00-072	LONG TONGUE JACK BRKT	1
15	480-04-00-039	FOOT	1
16	480-04-00-041	FOOT CAP	2
17	480-04-00-071	SKID FEET	2

HITCH FRAMES



480-01-00-000
HITCH FRAME ASSY

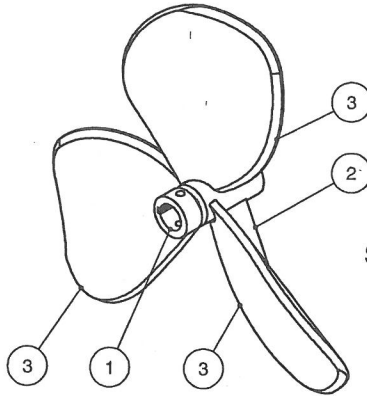
PARTS LIST			
ITEM	PART NUMBER	DESCRIPTION	QTY
1	480-01-00-044	PTO RETAINING CHAIN	1
2	480-01-00-002	HITCH FRAME TOP PC	1
3	480-01-00-001	HITCH FRAME SIDE	2
4	480-01-00-005	HITCH PLATE	4
5	480-01-00-004	GUSSET	2
6	480-01-00-009	CYLINDER BRKT	1
7	480-01-00-003	UPPER LINK CONN PLATE	2
8	480-01-00-008	CHAIN BRKT	1



480-03-02-000
FRAME SUB ASSY

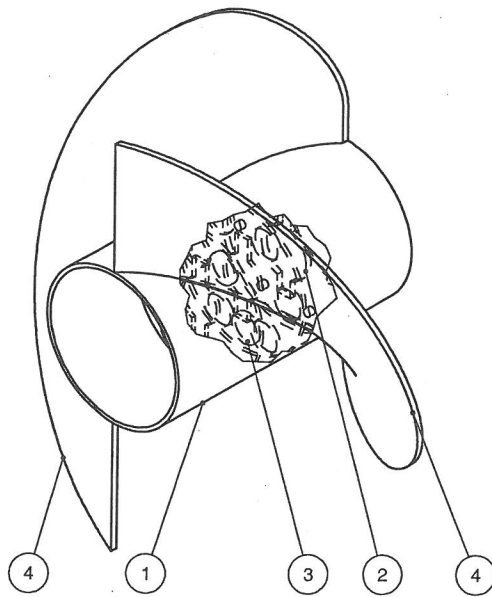
PARTS LIST			
ITEM	PART NUMBER	DESCRIPTION	QTY
1	480-03-00-020	TOP CROSS TUBE	1
2	480-03-00-019	VERTICAL TUBE	2
3	480-03-00-022	GUSSET	2
4	480-03-00-025	BAR BRACKET	2

PROPELLER BLADES

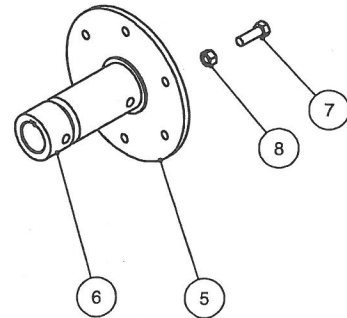


STANDARD ON 35FT AGITATOR
3 BLADE PROPELLER ASSY
 1000 RPM
480-12-00-000

PARTS LIST			
ITEM	PART NUMBER	DESCRIPTION	QTY
1	280-07-00-034	PROPELLER HUB	1
2	280-07-00-035	GUSSET	3
3	480-12-00-066	PROPELLER BLADE	3



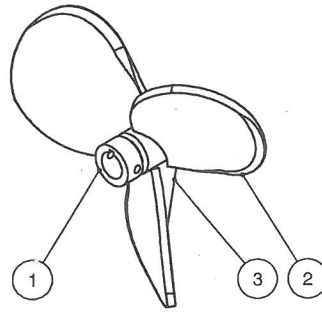
AUGER ASSY
485-05-00-000



AUGER HUB ASSY
485-04-00-000

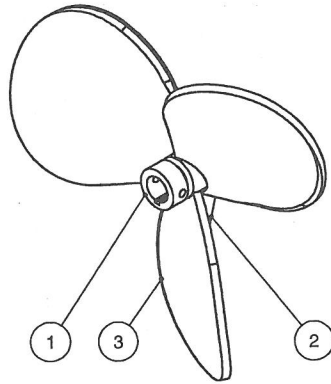
PARTS LIST			
ITEM	PART NUMBER	DESCRIPTION	QTY
1	485-05-00-024	AUGER TUBE	1
2	485-05-00-025	END FLANGE	1
3	485-05-00-026	MIDDLE FLANGE	2
4	485-05-00-027	AUGER FLITE	2
5	485-04-00-023	HUB FLANGE	1
6	485-04-00-022	AUGER HUB	1
7	R07638	1/2" X 1 1/2" HEX BOLT	6
8	R08219	1/2" - UNC NYLOCK NUT	6

PROPELLER BLADES



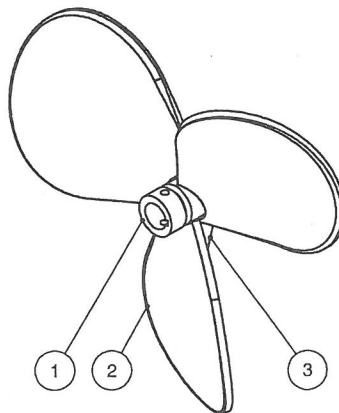
**1000 RPM STANDARD PROPELLER
280-16-00-000**

PARTS LIST			
ITEM	PART NUMBER	DESCRIPTION	QTY
1	280-07-00-034	PROPELLER HUB	1
2	280-16-00-050	1000 RPM PROP BLADE	3
3	280-07-00-035	GUSSET	3



**540 RPM STANDARD PROPELLER
280-15-00-000**

PARTS LIST			
ITEM	PART NUMBER	DESCRIPTION	QTY
1	280-07-00-034	PROPELLER HUB	1
2	280-07-00-035	GUSSET	3
3	280-15-00-049	540 RPM PROPELLER BLADE	3

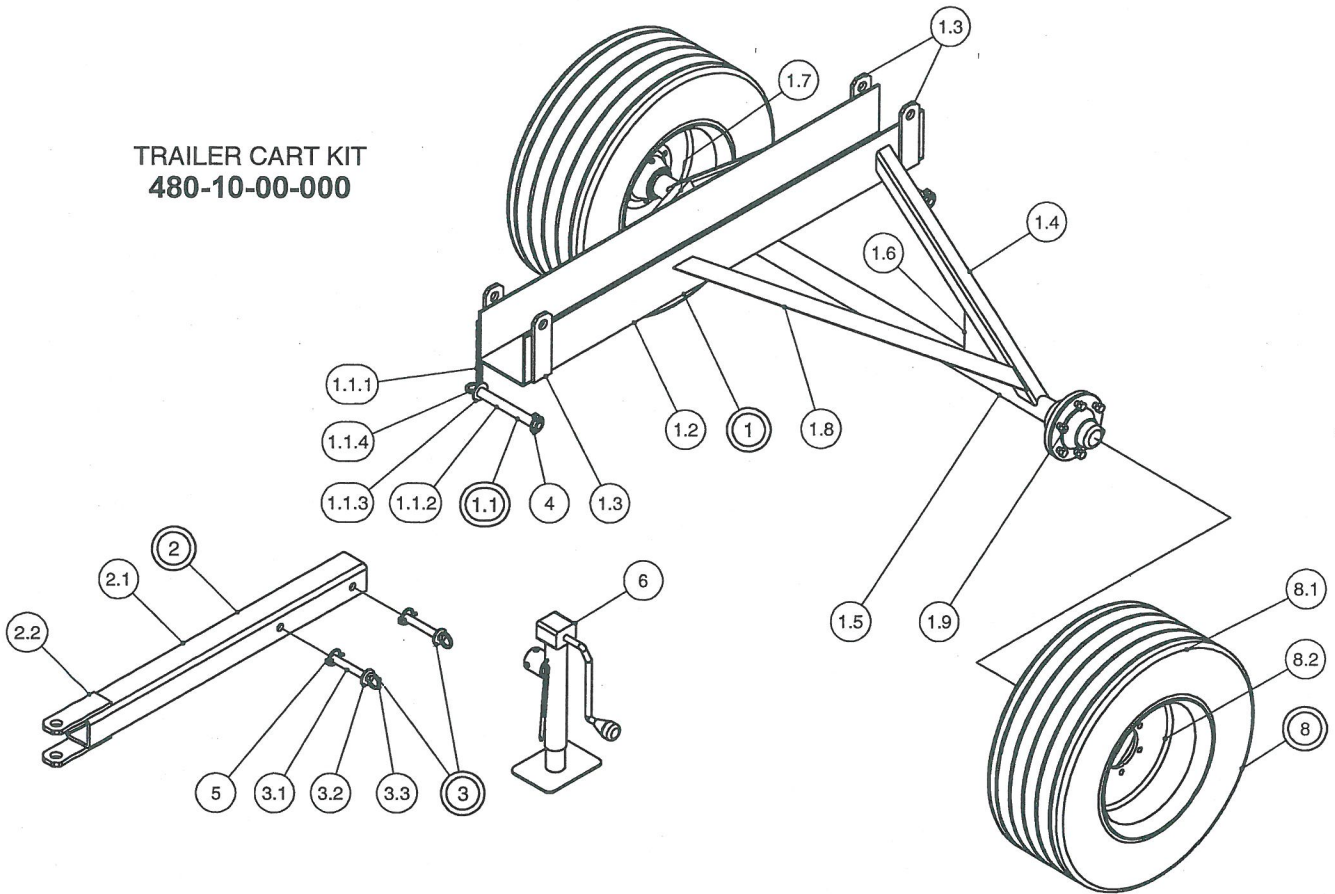


**540 RPM OVERSIZE PROPELLER
280-31-00-000**

PARTS LIST			
ITEM	PART NUMBER	DESCRIPTION	QTY
1	280-07-00-034	PROPELLER HUB	1
2	280-31-00-109	540 OVERSIZED PROP BLADE	3
3	280-07-00-035	GUSSET	3

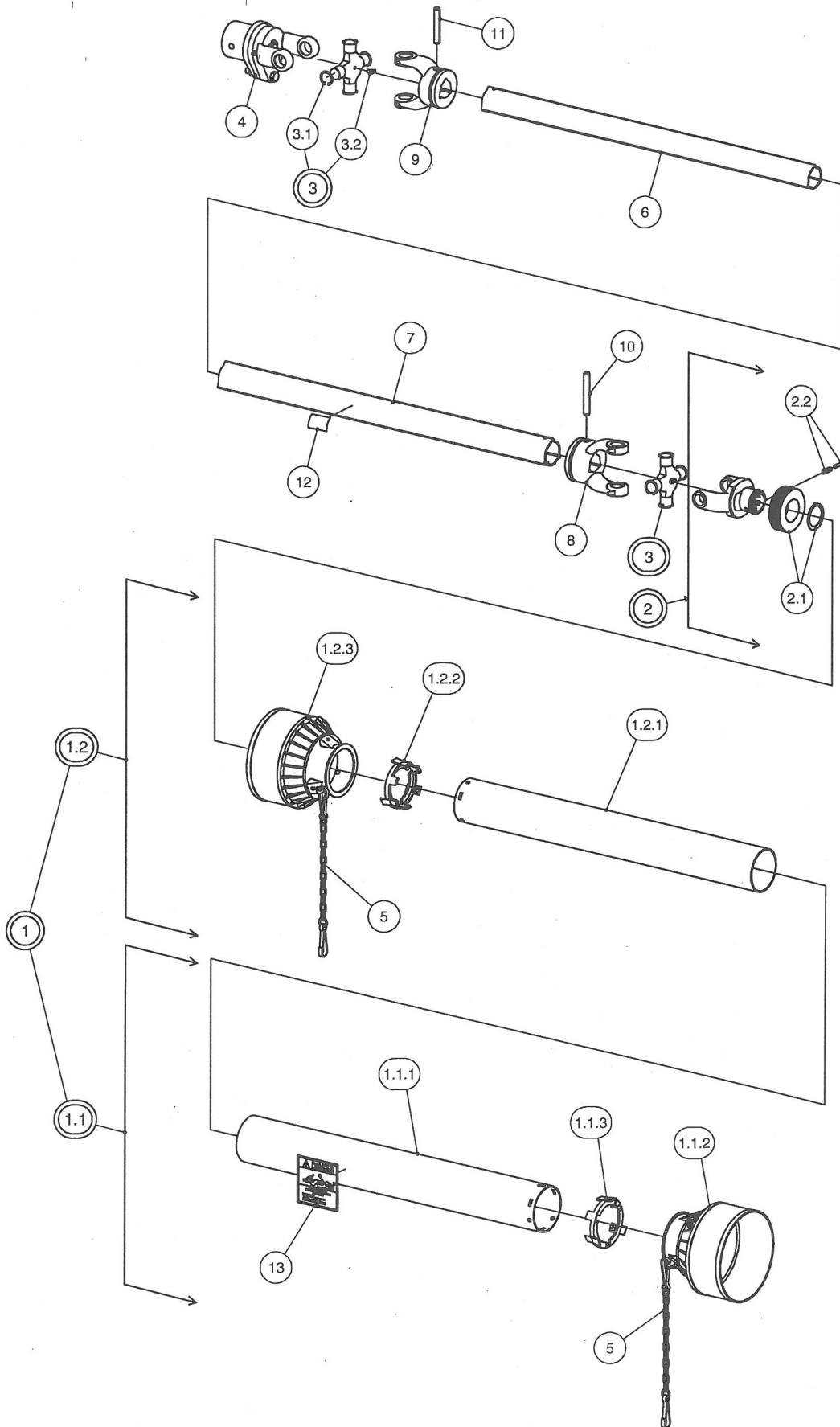
CART KIT

TRAILER CART KIT 480-10-00-000



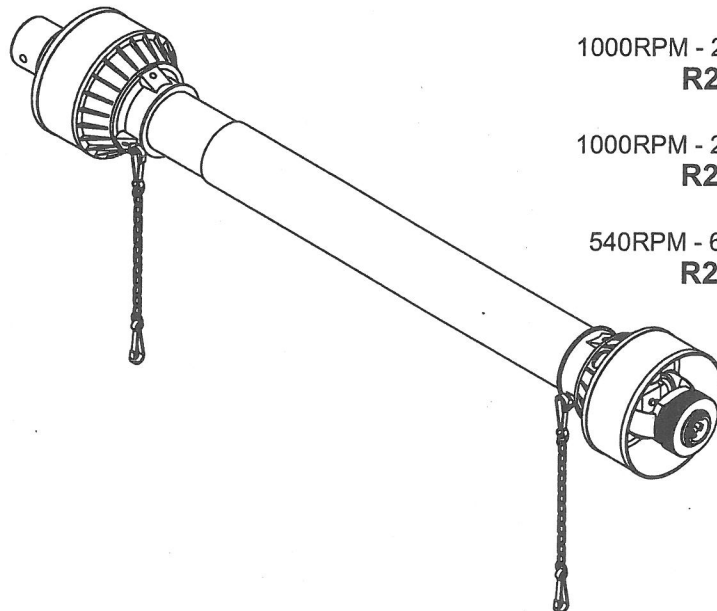
PARTS LIST				PARTS LIST			
ITEM	PART NUMBER	DESCRIPTION	QTY	ITEM	PART NUMBER	DESCRIPTION	QTY
1	480-10-01-000	TRAILER ASSY	1	1.13	290-59-00-000	5000LB - 6 BOLT HUB ASSY	2
1.1	480-10-03-000	PIN & CHAIN ASSY	2	1.14	R20118	SPINDLE WASHER	2
1.1.1	480-10-03-062	CHAIN	1	2	480-10-02-000	TONGUE TUBE ASSY	1
1.1.2	480-10-03-061	PIN	1	2.1	480-10-02-063	TONGUE TUBE	1
1.1.3	R07827	3/4" FLAT WASHER	1	2.2	480-10-02-064	HITCH PLATE	2
1.1.4	R07925	1/4 x 1 1/2 PLATED RING	1	3	480-10-04-000	TONGUE PIN ASSY	2
1.2	480-10-01-059	TUBE SEAT	1	3.1	480-10-04-065	TONGUE PIN	1
1.3	480-10-01-060	PIN BRACKET	4	3.2	R07826	5/8 FLAT WASHER	1
1.4	480-10-01-056	"A" FRAME ARM	2	3.3	R07925	1/4 x 1 1/2 PLATED RING	1
1.5	480-10-01-054	TRAILER CROSS TUBE	1	4	R08040	2 - 18 LYNCH PIN	2
1.6	480-10-01-055	"A" FRAME GUSSET	2	5	R08041	1/4" LYNCH PIN	2
1.7	480-10-01-058	RH ANGLE SUPPORT	1	6	R09751	7000LB SIDE WIND JACK	1
1.8	480-10-01-057	LH ANGLE SUPPORT	1	8	247-07-00-000	TIRE & WHEEL ASSY P275/60R15	2
1.9	247-01-01-033	SPINDLE	2	8.1	R22560	P275 60R15 PASSENGER TIRE	1
1.11	R20117	SPINDLE NUT	2	8.2	R20045	15 x 8 x 6 BOLT WHEEL	1
1.12	R08013	3/16 x 2 COTTER PIN	2	8.5	R20020	VALVE STEM	1

BONDIOLI & PAVESI PTO
w/ 1 3/4" SHEAR YOKE



**BONDIOLI & PAVESI PTO
w/ 1 3/4" SHEAR YOKE**

PARTS LIST				
ITEM	MFG #	PART NUMBER	DESCRIPTION	QTY
1	5F08101FFFX	R21629	SAFETY GUARD COMPLETE	1
1.1	5FE8101FFFX	R21627	HALF SAFETY GUARD - OUTER	1
1.1.1	236850732	R21618	CM SAFETY TUBE	1
1.1.2	517080130	R21610	OUTER CONE SETS N8-9	1
1.1.3	255080005R02	R21609	I. BEARING 3-4	1
1.2	5F18101FFFX	R21628	HALF SAFETY GUARD - INNER	1
1.2.1	236840732	R21617	CM SAFETY TUBE	1
1.2.2	255080006R02	R21608	I. BEARING 3-4	1
1.2.3	517080120	R21611	INNER CONE SETS N8-9	1
2	572083851	R21644	1 3/8 - 20 TOOTH QD YOKE w/ SLEEVES	1
2	572080351	R21641	1 3/8 - 6 TOOTH QD YOKE w/ SLEEVES	1
2	572083751	R21640	1 3/8 - 21 TOOTH QD YOKE w/ SLEEVES	1
2.1	240003551	R21713	R.S. COLLAR KIT	1
2.2	403000001R10	R21669	COMPLETE PUSH BUTTON	1
3	41208	R21614	CROSS JOURNAL ASSY	2
3.1	338023000	R21621	CIRCLIP	4
3.2	348004000	R21655	GREASE NIPPLE 45 DEG	1
4	606598802R	R21648	1 3/4" RD HOLE SHEAR YOKE	1
5	252000005R02	R21738	SHIELD TIE CHAIN	2
6	225690803	R21615	CARDAN TUBE - INNER	1
7	225730803	R21616	CARDAN TUBE - OUTER	1
8	204086860	R21620	OUTER TUBE YOKE	1
9	204086861	R21619	INNER TUBE YOKE	1
10	341051000	R21613	FLEXIBLE PIN	1
11	34105500R10	R21612	FLEXIBLE PIN	1
12		R21523	"SHIELD MISSING" DECAL	1
13		R21521	"ROTATING DRIVE LINE" DECAL	1



1000RPM - 21 TOOTH PTO
R22201

1000RPM - 20 TOOTH PTO
R22202

540RPM - 6 TOOTH PTO
R22200

