

Date Purchased _____ Machine Serial No. _____

Size of Agitator _____ Options _____

The key number system in this parts book is arranged as follows:

- ⊙ - Key numbers with two circles denotes main assemblies.
- - Key numbers with one circle are individual parts

Please order parts by number



35ft HD PROPELLER AGITATOR

480-00-00-000

OPERATING INSTRUCTIONS:

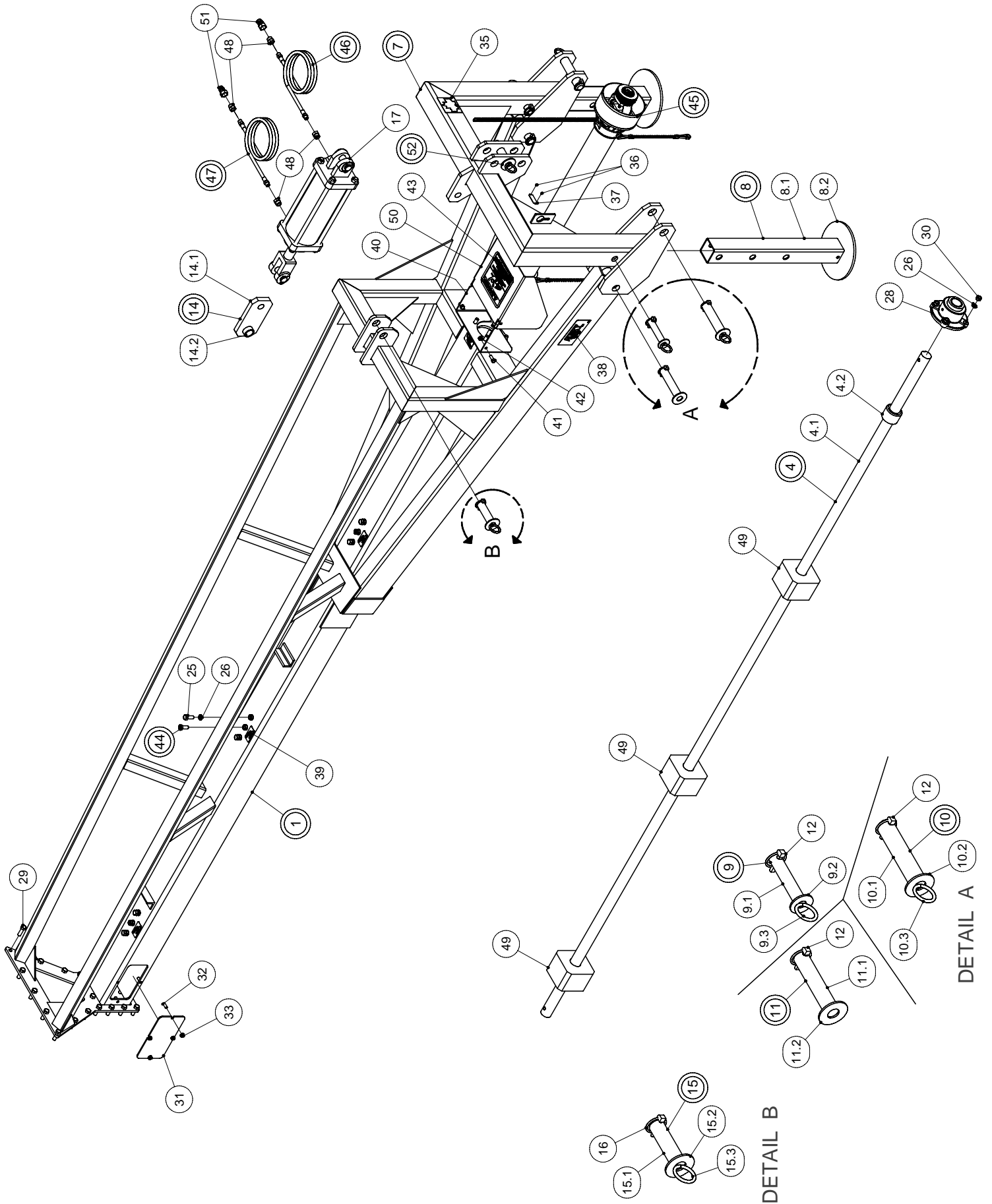
We welcome you as an owner of a Husky Propeller Agitator. To ensure this machine reaches its maximum life span and operates at an optimum level, we recommend the following:

1. Do not leave propeller in manure pit – remove propeller from pit – wash off and coat with old oil or diesel fuel.
2. Grease top thrust bearing five to ten shots daily.
3. Grease the wood bearings five shots daily.
4. Grease the PTO knuckles daily and oil the slide tube.
5. Make sure when in use that the PTO knuckles are both taking equal amount of bend otherwise propeller might vibrate.
6. **EXTREME DANGER** – Never enter a dirty manure spreader or storage tank – one breath of hydrogen sulphide gas is enough to kill. Have a ladder in your pit, so that if by accident you should fall in, you can get out.

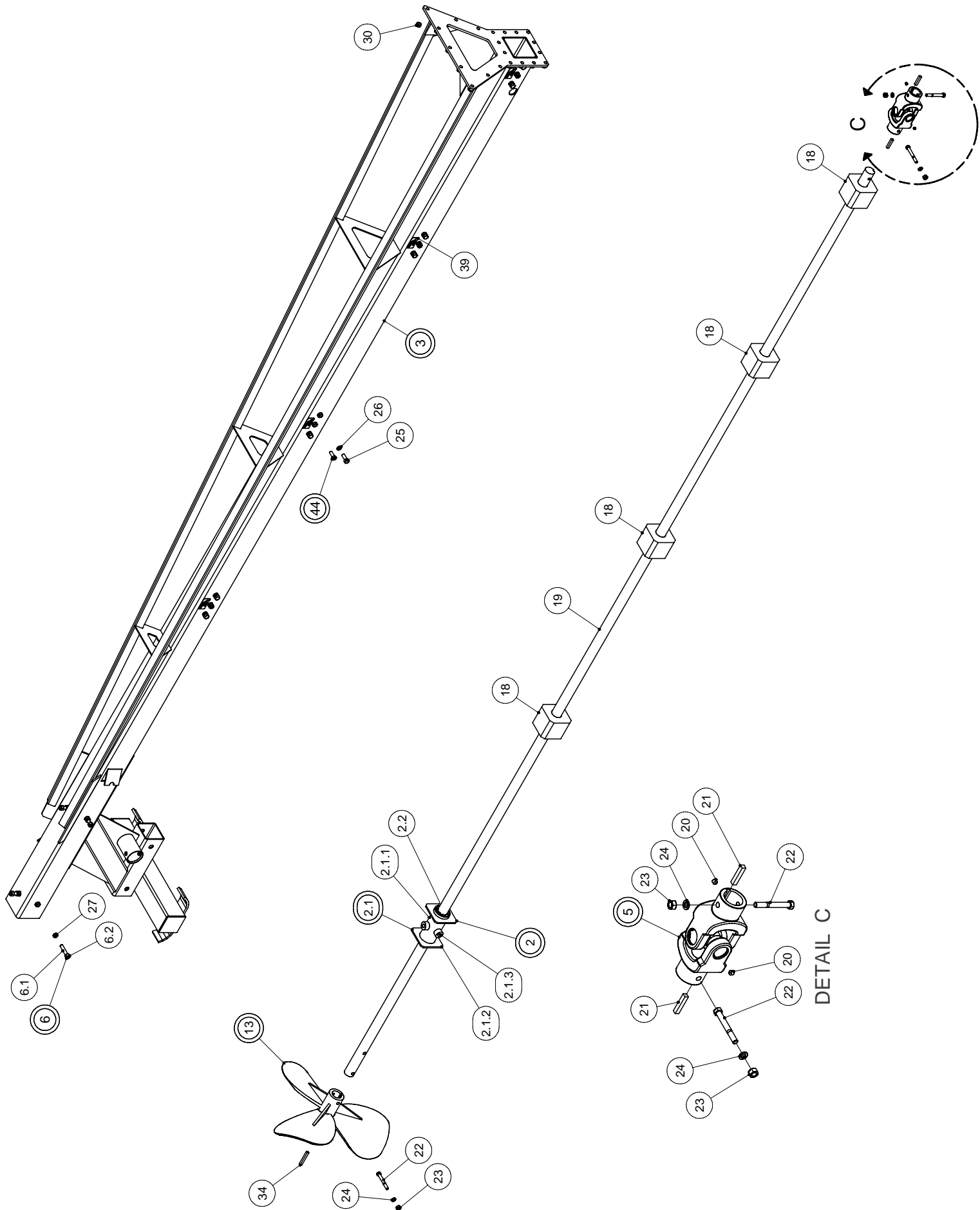
35 FT HD PROPELLER AGITATOR



35 FT HD PROPELLER AGITATOR ASSY



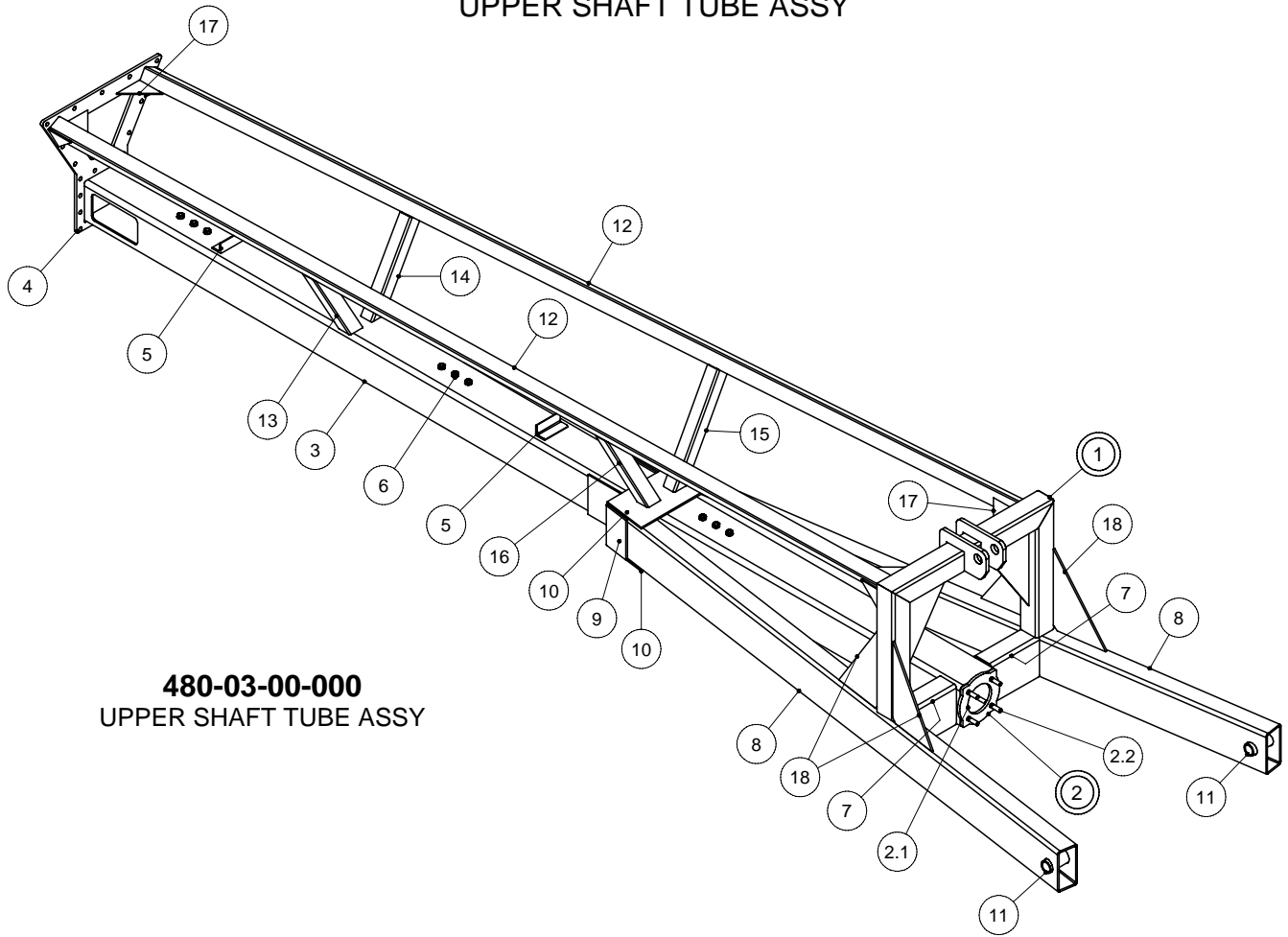
35 FT HD PROPELLER AGITATOR ASSY



35 FT PROPELLER AGITATOR ASSY

PARTS LIST				PARTS LIST			
ITEM	PART NUMBER	DESCRIPTION	QTY	ITEM	PART NUMBER	DESCRIPTION	QTY
1	480-03-00-000	UPPER SHAFT TUBE ASSY	1	15.3	250-00-00-354	1/4 X 1 1/2" RING	1
2	250-76-00-000	MARINE BRG & HOLDER COMPLETE	2	16	R08041	1/4" LYNCH PIN	1
2.1	250-76-34-000	MARINE BRG HOLDER ASSY	1	17	R22246	5 x 12 HYDRAULIC CYLINDER	1
2.1.1	250-76-34-180	URETHANE BRG SLEEVE	1	18	R20233	1 7/8 SQUARE WOOD BRG	4
2.1.2	250-76-34-181	BRG SLEEVE HOLDER	2	19	480-00-00-043	LOWER DRIVE SHAFT	1
2.1.3	250-76-34-256	STABILIZER SLEEVE	2	20	R07909	3/8 x 3/8 SET SCREW	2
2.2	R20280	URETHANE	1	21	270-00-00-075	3/8 KEY - 50mm LONG	2
3	480-04-00-000	LOWER SHAFT TUBE ASSY	1	22	R07633	7/16 x 3 1/2 HEX BOLT	4
4	480-02-00-000	UPPER SHAFT ASSY	1	23	R07784	7/16 HEX NUT	4
4.1	480-02-00-010	UPPER SHAFT	1	24	R07804	7/16 LOCK WASHER	4
4.2	280-05-00-031	THRUST BEARING BLOCK	1	25	R07674	1/2 x 1 1/4 HEX BOLT	14
5	270-32-00-000	KNUCKLE ASSY	1	26	R07805	1/2 LOCK WASHER	39
6	250-59-00-000	SET SCREW ASSY	4	27	R08046	1/2 - 13 JAM NUT	4
6.1	250-59-00-141	SS SET SCREW REDDI ROD	1	28	R20206	1 3/4" THRUST BEARING	1
6.2	R08235	1/2 S.S. HEX NUT	1	29	R07638	1/2 x 1 1/2 HEX BOLT	21
7	480-01-00-000	HITCH FRAME ASSY	1	30	R07785	1/2 HEX NUT	25
8	480-06-00-000	STAND ASSY	2	31	480-00-00-024	COVER PLATE	1
8.1	480-06-00-045	STAND LEG	1	32	R08323	3/8 x 1 SS WELD STUD	4
8.2	480-06-00-046	STAND FOOT	1	33	R07794	3/8 FLANGE NUT	4
9	480-15-00-000	LEG PIN ASSY	2	34	480-00-00-075	3/8 x 75mm KEY	1
9.1	480-15-00-068	LEG PIN	1	35	R09508	"MADE IN CANADA" DECAL - LARGE	1
9.2	R07827	3/4" FLAT WASHER	1	36	R08152	6 x 1/4 PAN HD SOCKET SCREW	2
9.3	250-00-00-354	1/4 X 1 1/2" RING	1	37	R09071	SERIAL NUMBER PLATE	1
10	480-13-00-000	HITCH PIN ASSY	2	38	R09502	"HUSKY" DECAL	1
10.1	480-13-00-067	HITCH PIN	1	39	R09582	GREASE SYMBOL DECAL	8
10.2	R07828	1" FLAT WASHER	1	40	485-00-00-047	PTO GUARD BRKT	1
10.3	250-00-00-354	1/4 X 1 1/2" RING	1	41	R07619	3/8 x 1 HEX BOLT	2
11	480-08-00-000	PIVOT PIN ASSY	2	42	R07886	3/8 - 2 WAY LOCK NUT	2
11.1	480-08-00-048	PIVOT PIN	1	43	R09785	"DANGER ROTATING DRIVELINE"	1
11.2	R07828	1" FLAT WASHER	1			DECAL	
12	R08040	2 - 18 LYNCH PIN	7	44	244-88-00-000	WOOD BEARING GREASE BOLT KIT	7
13	480-18-00-000	1000 RPM PROPELLER ASSY-OVER SIZE	1	45	R22201	540 RPM PROP AGITATOR PTO	1
				46	250-87-51-000	HYDRAULIC HOSE ASSY	1
14	480-07-00-000	CYLINDER BAR ASSY	1	47	250-87-52-000	HYDRAULIC HOSE ASSY	1
14.1	480-07-00-047	CYLINDER BAR	1	48	R02043	BUSHING 1/2 x 3/8	4
14.2	480-07-00-049	BUSHING	1	49	R22148	5.40" SQ WOOD BEARING	3
15	480-09-00-000	CYLINDER PIN ASSY	1	50	296-00-00-033	PTO GUARD	1
15.1	480-09-00-050	CYLINDER BAR PIN	1	51	R21342	1/2" MALE PIONEER TIP	2
15.2	R07828	1" FLAT WASHER	1	52	480-19-00-000	TOP LINK PIN ASSY	1

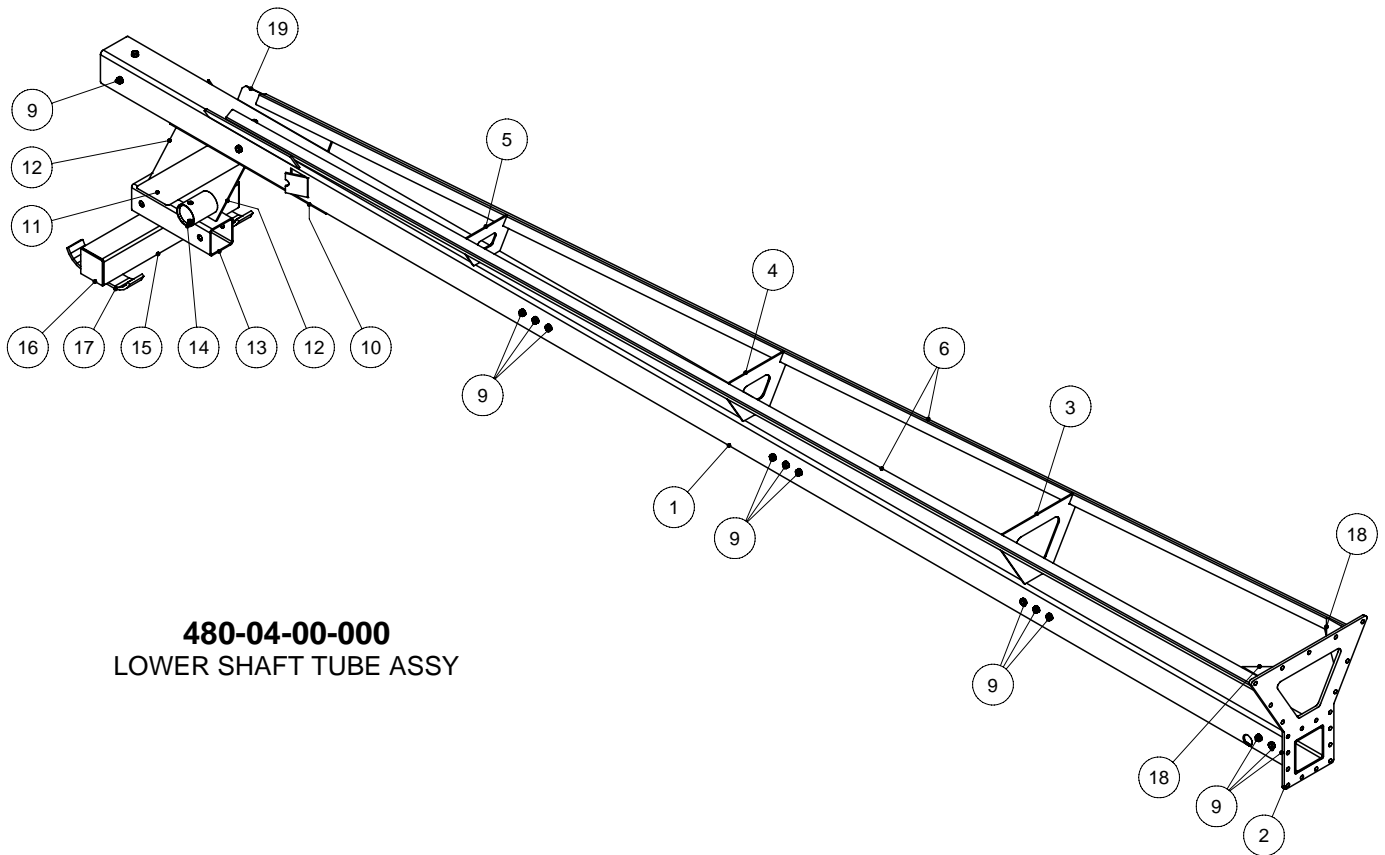
UPPER SHAFT TUBE ASSY



480-03-00-000
UPPER SHAFT TUBE ASSY

PARTS LIST			
ITEM	PART NUMBER	DESCRIPTION	QTY
1	480-03-02-000	FRAME SUB ASSY	1
2	480-03-03-000	BEARING FLANGE ASSY	1
2.1	480-03-00-012	BEARING FLANGE	1
2.2	R07639	1/2 x 2 HEX BOLT	4
3	480-03-00-011	UPPER TUBE	1
4	480-03-00-013	BRIDGE FLANGE	1
5	480-03-00-073	TRAILER STOP	2
6	R08304	1/2 S.S. FLANGE NUT	9
7	480-03-00-017	CROSS TUBE	2
8	480-03-00-014	LIFT ARM	2
9	480-03-00-018	"Z" BRACKET	2
10	480-03-00-021	LARGE GUSSET	2
11	480-03-00-015	BUSHING	2
12	480-03-00-023	REINFORCING TUBE	2
13	480-03-00-028	RH LOWER SUPPORT TUBE	1
14	480-03-00-006	LH LOWER SUPPORT TUBE	1
15	480-03-00-007	LH UPPER SUPPORT TUBE	1
16	480-03-00-029	RH UPPER SUPPORT TUBE	1
17	480-03-00-016	SMALL GUSSET	8
18	480-03-00-022	GUSSET	4

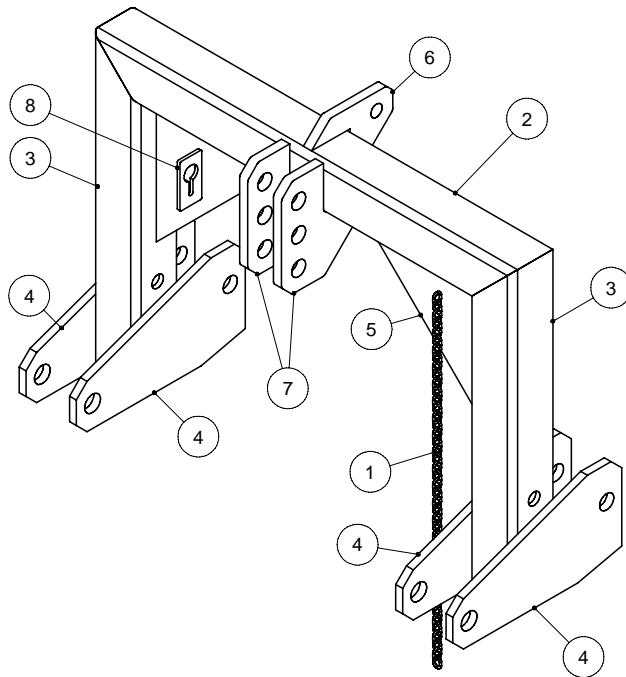
LOWER SHAFT TUBE ASSY



480-04-00-000
LOWER SHAFT TUBE ASSY

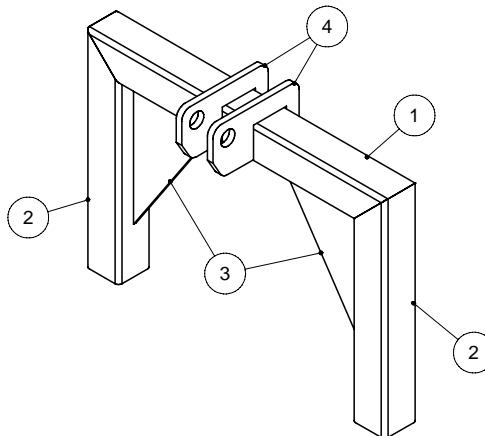
PARTS LIST			
ITEM	PART NUMBER	DESCRIPTION	QTY
1	480-04-00-030	LOWER SHAFT TUBE	1
2	480-04-00-027	LOWER BRIDGE FLANGE	1
3	480-04-00-070	UPPER SPACER PLATE	1
4	480-04-00-069	LOWER SPACER PLATE	1
5	480-04-00-074	BOTTOM SPACER PLATE	1
6	480-04-00-031	LOWER REINFORCING TUBE	2
9	R08304	1/2 S.S. FLANGE NUT	16
10	480-04-00-042	LEG BRACE PLATE	1
11	480-04-00-038	LEG	1
12	480-04-00-040	LEG GUSSET	2
13	480-04-00-026	TONGUE MOUNTING TUBE	1
14	480-04-00-072	LONG TONGUE JACK BRKT	1
15	480-04-00-039	FOOT	1
16	480-04-00-041	FOOT CAP	2
17	480-04-00-071	SKID FEET	2
18	480-03-00-016	SMALL GUSSET	4
19	480-04-00-079	LOWER TUBE GUSSET	2

HITCH FRAMES



480-01-00-000
HITCH FRAME ASSY

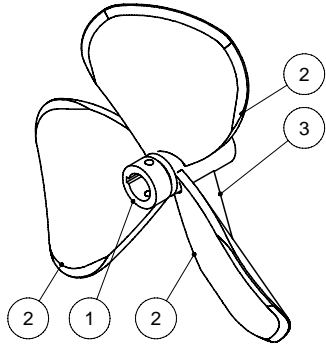
PARTS LIST			
ITEM	PART NUMBER	DESCRIPTION	QTY
1	480-01-00-044	PTO RETAINING CHAIN	1
2	480-01-00-002	HITCH FRAME TOP PC	1
3	480-01-00-001	HITCH FRAME SIDE	2
4	480-01-00-005	HITCH PLATE	4
5	480-01-00-004	GUSSET	2
6	480-01-00-009	CYLINDER BRKLT	1
7	480-01-00-003	UPPER LINK CONN PLATE	2
8	480-01-00-008	CHAIN BRKT	1



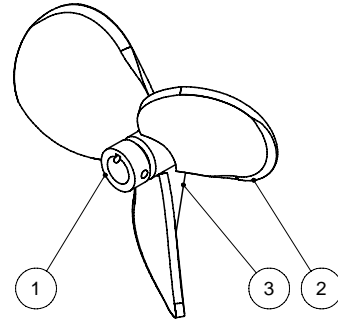
480-03-02-000
FRAME SUB ASSY

PARTS LIST			
ITEM	PART NUMBER	DESCRIPTION	QTY
1	480-03-00-020	TOP CROSS TUBE	1
2	480-03-00-019	VERTICAL TUBE	2
3	480-03-00-022	GUSSET	2
4	480-03-00-025	BAR BRACKET	2

HD PROPELLER BLADES



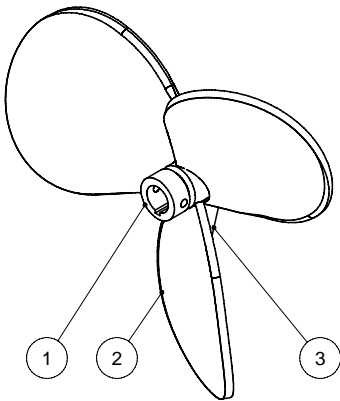
Ø23.5"
 STANDARD ON 35 FT AGITATOR
 3 BLADE PROPELLER ASSY
 1000 RPM
480-18-00-000



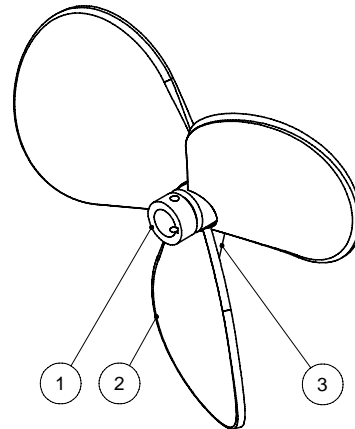
Ø21.13"
 1000 RPM OPTIONAL PROPELLER
280-16-00-000

PARTS LIST				PARTS LIST			
ITEM	PART NUMBER	DESCRIPTION	QTY	ITEM	PART NUMBER	DESCRIPTION	QTY
1	280-07-00-034	PROPELLER HUB	1	1	280-07-00-034	PROPELLER HUB	1
2	480-18-00-076	1000 RPM PROPELLER BLADE	3	2	280-16-00-050	1000 RPM PROP BLADE	3
3	280-07-00-035	GUSSET	3	3	280-07-00-035	GUSSET	3

- KEY USED WITH ALL PROPS - **480-00-00-075**



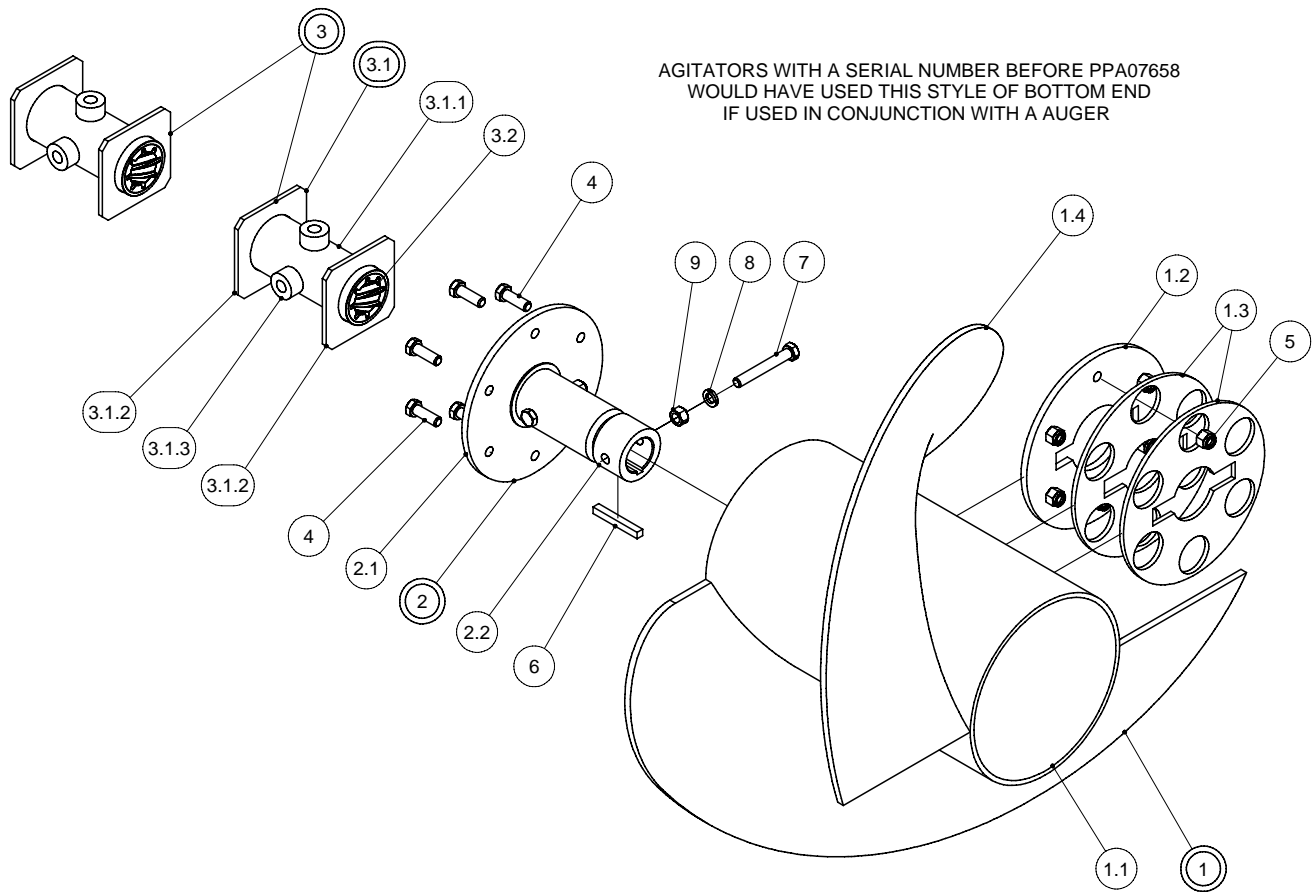
Ø26.6"
 540 RPM OPTIONAL PROPELLER
280-15-00-000



Ø28.56"
 540 RPM OVERSIZE PROPELLER
280-31-00-000

PARTS LIST				PARTS LIST			
ITEM	PART NUMBER	DESCRIPTION	QTY	ITEM	PART NUMBER	DESCRIPTION	QTY
1	280-07-00-034	PROPELLER HUB	1	1	280-07-00-034	PROPELLER HUB	1
2	280-15-00-049	540 RPM PROPELLER BLADE	3	2	280-31-00-109	540 OVERSIZED PROP BLADE	3
3	280-07-00-035	GUSSET	3	3	280-07-00-035	GUSSET	3

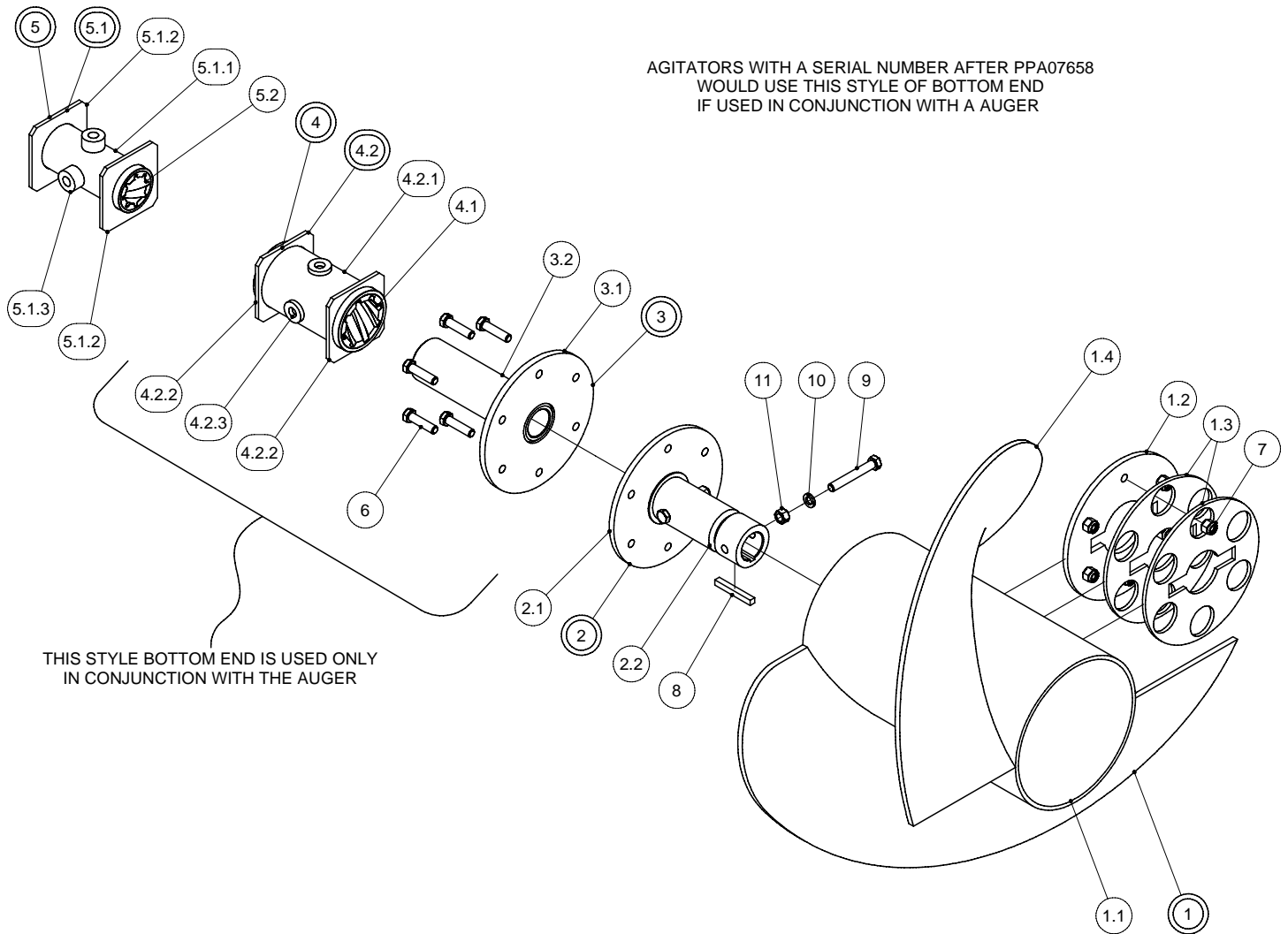
BOTTOM END DETAIL 480 - BEFORE 2007



PARTS LIST

ITEM	PART NUMBER	DESCRIPTION	QTY
1	485-05-00-000	AUGER ASSY	1
1.1	485-05-00-024	AUGER TUBE	1
1.2	485-05-00-025	END FLANGE	1
1.3	485-05-00-026	MIDDLE FLANGE	2
1.4	485-05-00-027	RH AUGER FLITE	2
2	485-04-00-000	AUGER HUB ASSY	1
2.1	485-04-00-023	HUB FLANGE	1
2.2	485-04-00-022	AUGER HUB	1
3	250-76-00-000	MARINE BRG & HOLDER COMPLETE	2
3.1	250-76-34-000	MARINE BRG HOLDER ASSY	1
3.1.1	250-76-34-180	URETHANE BRG SLEEVE	1
3.1.2	250-76-34-181	BRG SLEEVE HOLDER	2
3.1.3	250-76-34-256	STABILIZER SLEEVE	2
3.2	R20280	URETHANE	1
4	R07638	1/2 x 1 1/2 UNC HEX BOLT	6
5	R08219	1/2 UNC NYLOCK NUT	6
6	480-00-00-075	3/8 x 75mm KEY	1
7	R07642	1/2 x 3 1/2 UNC HEX BOLT	2
8	R07805	1/2" LOCK WASHER	2
9	R07785	1/2-13 UNC HEX NUT	2

BOTTOM END DETAIL 480 - AFTER 2007

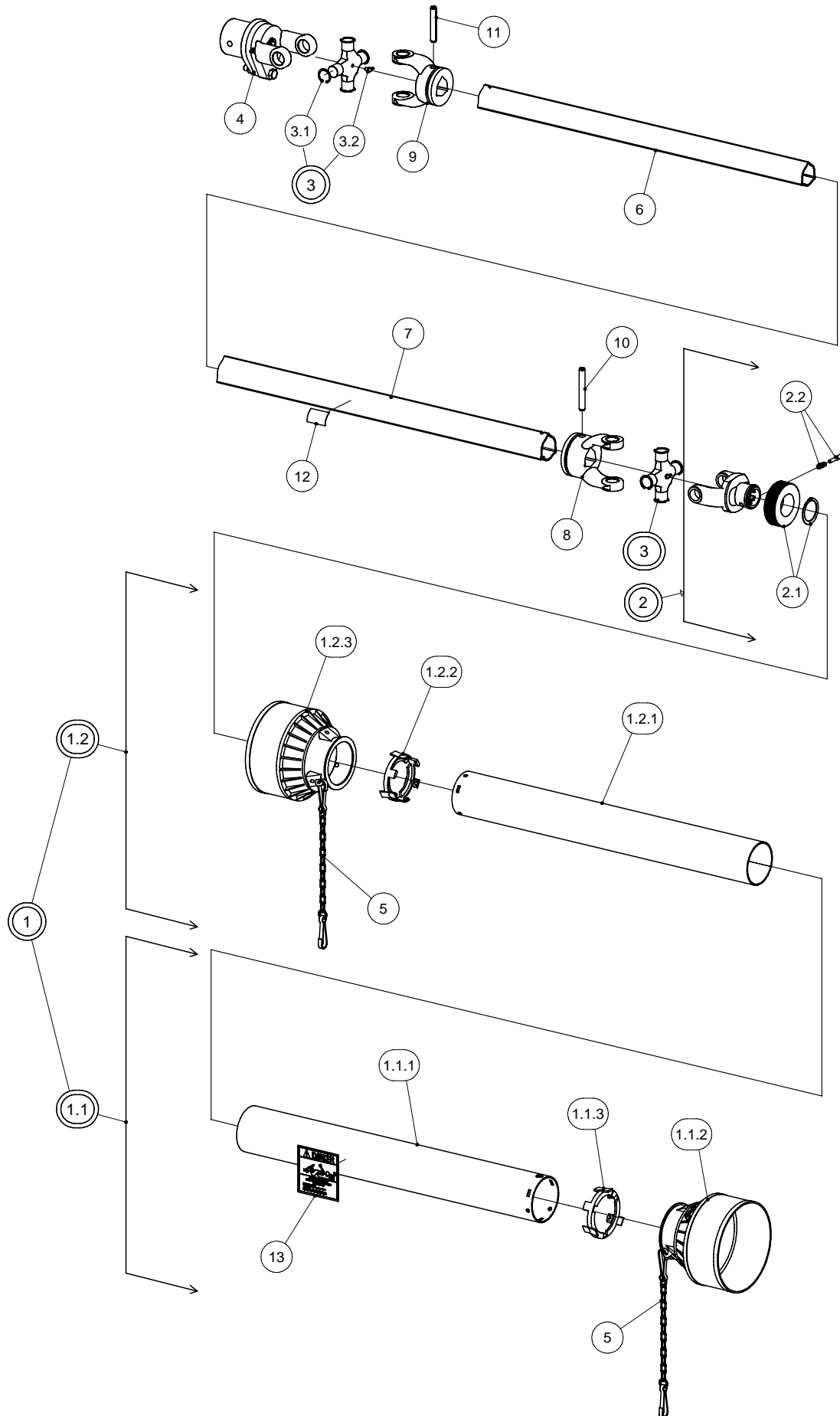


AGITATORS WITH A SERIAL NUMBER AFTER PPA07658
WOULD USE THIS STYLE OF BOTTOM END
IF USED IN CONJUNCTION WITH A AUGER

THIS STYLE BOTTOM END IS USED ONLY
IN CONJUNCTION WITH THE AUGER

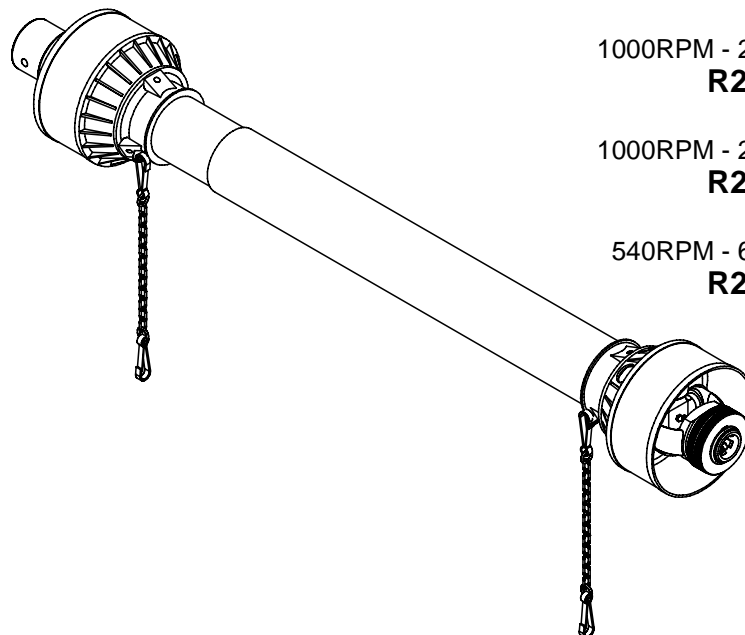
PARTS LIST				PARTS LIST			
ITEM	PART NUMBER	DESCRIPTION	QTY	ITEM	PART NUMBER	DESCRIPTION	QTY
1	485-05-00-000	AUGER ASSY	1	4.2.2	485-18-01-065	BEARING HOLDER PLATE	2
1.1	485-05-00-024	AUGER TUBE	1	4.2.3	485-18-01-066	SET SCREW SEAT	2
1.2	485-05-00-025	END FLANGE	1	5	250-76-00-000	MARINE BRG & HOLDER COMPLETE	1
1.3	485-05-00-026	MIDDLE FLANGE	2	5.1	250-76-34-000	MARINE BRG HOLDER ASSY	1
1.4	485-05-00-027	RH AUGER FLITE	2	5.1.1	250-76-34-180	URETHANE BRG SLEEVE	1
2	485-04-00-000	AUGER HUB ASSY	1	5.1.2	250-76-34-181	BRG SLEEVE HOLDER	2
2.1	485-04-00-023	HUB FLANGE	1	5.1.3	250-76-34-256	STABILIZER SLEEVE	2
2.2	485-04-00-022	AUGER HUB	1	5.2	R20280	URETHANE	1
3	485-19-00-000	REINFORCING HUB ASSY	1	6	R07639	1/2 x 2 UNC HEX BOLT	6
3.1	485-04-00-023	HUB FLANGE	1	7	R08219	1/2 UNC NYLOCK NUT	6
3.2	485-19-00-067	REINFORCING HUB	1	8	480-00-00-075	3/8 x 75mm KEY	1
4	485-18-00-000	2 3/4" AUGER MARINE BRG COMPLETE	1	9	R07642	1/2 x 3 1/2 UNC HEX BOLT	2
4.1	R20224	H5000 2 3/4" URETHENE FOR BRG	1	10	R07805	1/2" LOCK WASHER	2
4.2	485-18-01-000	2 3/4" AUGER MARINE BRG HOLDER	1	11	R07785	1/2-13 UNC HEX NUT	2
4.2.1	244-13-01-320	HOLDER TUBE	1				

BONDIOLI & PAVESI PTO
w/ 1 3/4" SHEAR YOKE



**BONDIOLI & PAVESI PTO
w/ 1 3/4" SHEAR YOKE**

PARTS LIST				
ITEM	MFG #	PART NUMBER	DESCRIPTION	QTY
1	5F08101FFFX	R21629	SAFETY GUARD COMPLETE	1
1.1	5FE8101FFFX	R21627	HALF SAFETY GUARD - OUTER	1
1.1.1	236850732	R21618	CM SAFETY TUBE	1
1.1.2	517080130	R21610	OUTER CONE SETS N8-9	1
1.1.3	255080005R02	R21609	I. BEARING 3-4	1
1.2	5F18101FFFX	R21628	HALF SAFETY GUARD - INNER	1
1.2.1	236840732	R21617	CM SAFETY TUBE	1
1.2.2	255080006R02	R21608	I. BEARING 3-4	1
1.2.3	517080120	R21611	INNER CONE SETS N8-9	1
2	572083851	R21644	1 3/8 - 20 TOOTH QD YOKE w/ SLEEVES	1
2	572080351	R21641	1 3/8 - 6 TOOTH QD YOKE w/ SLEEVES	1
2	572083751	R21640	1 3/8 - 21 TOOTH QD YOKE w/ SLEEVES	1
2.1	240003551	R21713	R.S. COLLAR KIT	1
2.2	403000001R10	R21669	COMPLETE PUSH BUTTON	1
3	41208	R21614	CROSS JOURNAL ASSY	2
3.1	338023000	R21621	CIRCLIP	4
3.2	348004000	R21655	GREASE NIPPLE 45 DEG	1
4	606598802R	R21648	1 3/4" RD HOLE SHEAR YOKE	1
5	252000005R02	R21738	SHIELD TIE CHAIN	2
6	225690803	R21615	CARDAN TUBE - INNER	1
7	225730803	R21616	CARDAN TUBE - OUTER	1
8	204086860	R21620	OUTER TUBE YOKE	1
9	204086861	R21619	INNER TUBE YOKE	1
10	341051000	R21613	FLEXIBLE PIN	1
11	34105500R10	R21612	FLEXIBLE PIN	1
12		R21523	"SHIELD MISSING" DECAL	1
13		R21521	"ROTATING DRIVE LINE" DECAL	1



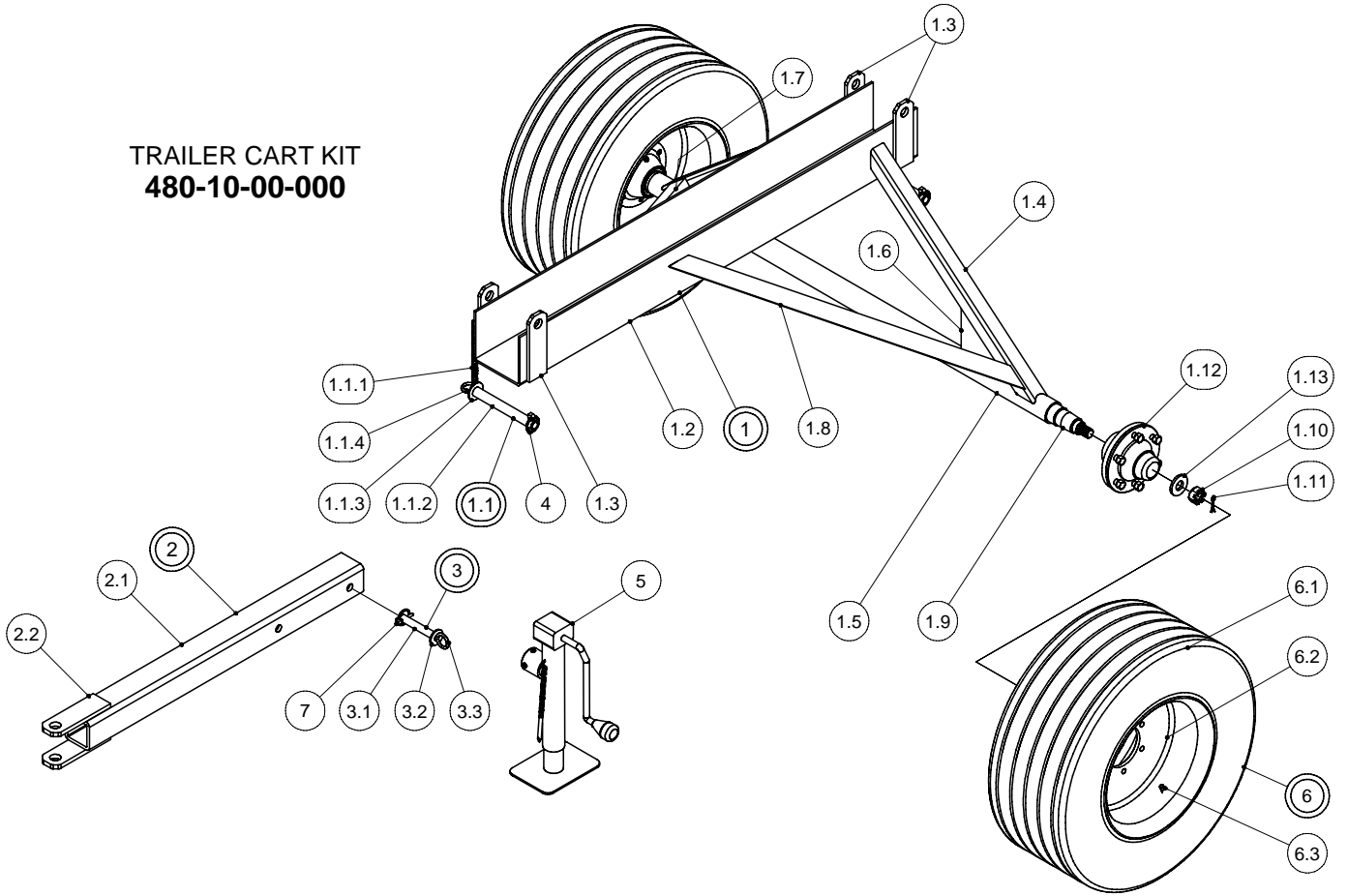
1000RPM - 21 TOOTH PTO
R22201

1000RPM - 20 TOOTH PTO
R22202

540RPM - 6 TOOTH PTO
R22200

CART KIT

TRAILER CART KIT 480-10-00-000



PARTS LIST				PARTS LIST			
ITEM	PART NUMBER	DESCRIPTION	QTY	ITEM	PART NUMBER	DESCRIPTION	QTY
1	480-10-01-000	TRAILER ASSY	1	1.12	290-59-00-000	5000LB - 6 BOLT HUB ASSY	2
1.1	480-10-03-000	PIN & CHAIN ASSY	2	1.13	R20118	SPINDLE WASHER	2
1.1.1	480-10-03-062	CHAIN	1	2	480-10-02-000	TONGUE TUBE ASSY	1
1.1.2	480-10-03-061	PIN	1	2.1	480-10-02-063	TONGUE TUBE	1
1.1.3	R07827	3/4" FLAT WASHER	1	2.2	480-10-02-064	HITCH PLATE	2
1.1.4	R07925	1/4 x 1 1/2 PLATED RING	1	3	480-10-04-000	TONGUE PIN ASSY	1
1.2	480-10-01-059	TUBE SEAT	1	3.1	480-10-04-065	TONGUE PIN	1
1.3	480-10-01-060	PIN BRACKET	4	3.2	R07826	5/8 FLAT WASHER	1
1.4	480-10-01-056	"A" FRAME ARM	2	3.3	R07925	1/4 x 1 1/2 PLATED RING	1
1.5	480-10-01-054	TRAILER CROSS TUBE	1	4	R08040	2 - 18 LYNCH PIN	2
1.6	480-10-01-055	"A" FRAME GUSSET	2	5	R09751	7000LB SIDE WIND JACK	1
1.7	480-10-01-058	RH ANGLE SUPPORT	1	6	247-07-00-000	TIRE & WHEEL ASSY P275/60R15	2
1.8	480-10-01-057	LH ANGLE SUPPORT	1	6.1	R22560	P275 60R15 PASSENGER TIRE	1
1.9	247-01-01-033	SPINDLE	2	6.2	R20045	15 x 8 x 6 BOLT WHEEL	1
1.10	R20117	SPINDLE NUT	2	6.3	R20020	VALVE STEM	1
1.11	R08013	3/16 x 2 COTTER PIN	2	7	R08041	1/4" LYNCH PIN	1