

Date Purchased _____ Machine Serial No. _____

Size of Agitator _____ Options _____

The key number system in this parts book is arranged as follows:

- ⊙ - Key numbers with two circles denotes main assemblies.
- - Key numbers with one circle are individual parts

Please order parts by number



35ft HD PROPELLER AGITATOR

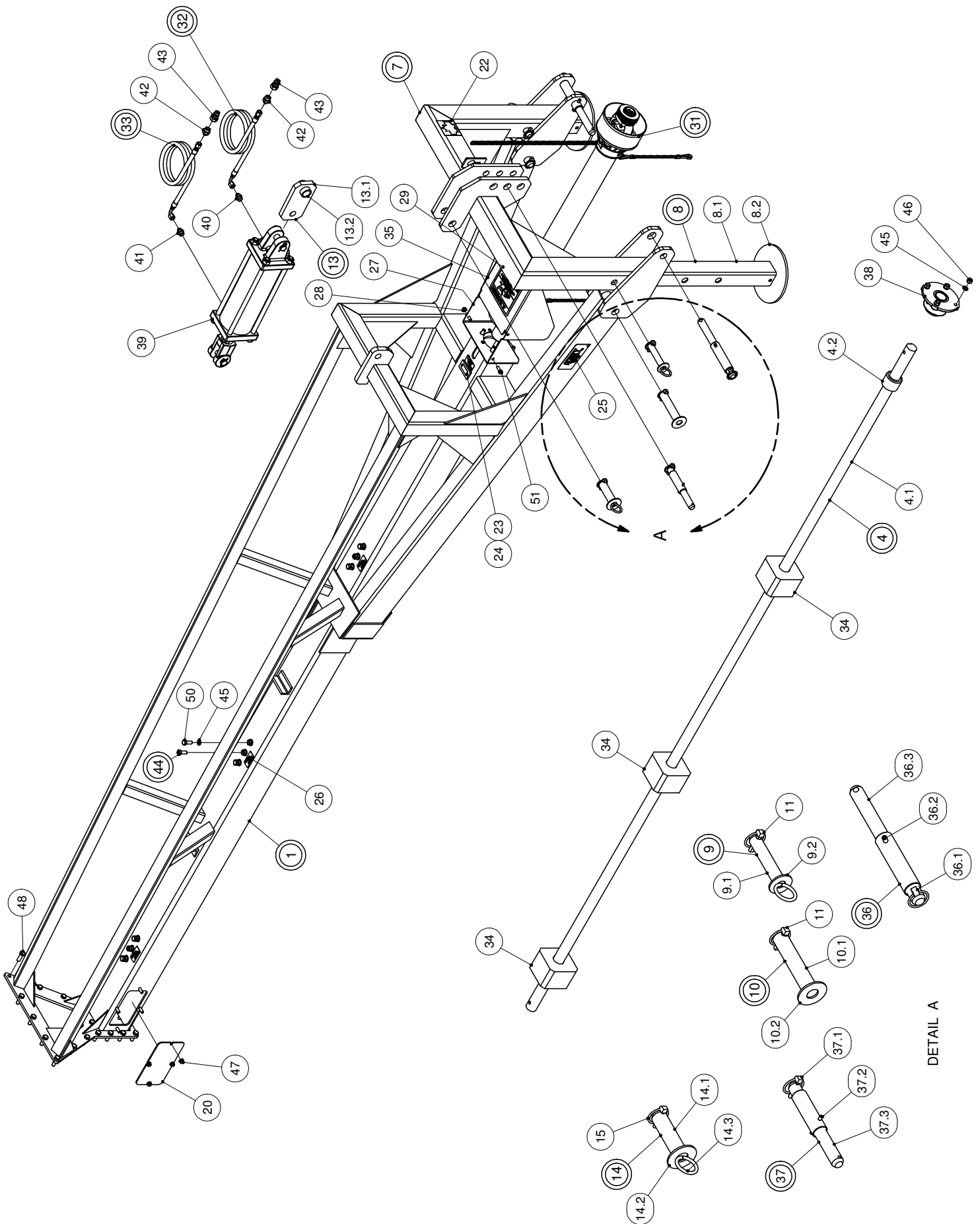
480-00-00-000

OPERATING INSTRUCTIONS:

We welcome you as an owner of a Husky Propeller Agitator. To ensure this machine reaches its maximum life span and operates at an optimum level, we recommend the following:

1. Do not leave propeller in manure pit – remove propeller from pit – wash off and coat with old oil or diesel fuel.
2. Grease top thrust bearing five to ten shots daily.
3. Grease the wood bearings five shots daily.
4. Grease the PTO knuckles daily and oil the slide tube.
5. Make sure when in use that the PTO knuckles are both taking equal amount of bend otherwise propeller might vibrate.
6. **EXTREME DANGER** – Never enter a dirty manure spreader or storage tank – one breath of hydrogen sulphide gas is enough to kill. Have a ladder in your pit, so that if by accident you should fall in, you can get out.

35 FT PROPELLER AGITATOR ASSY

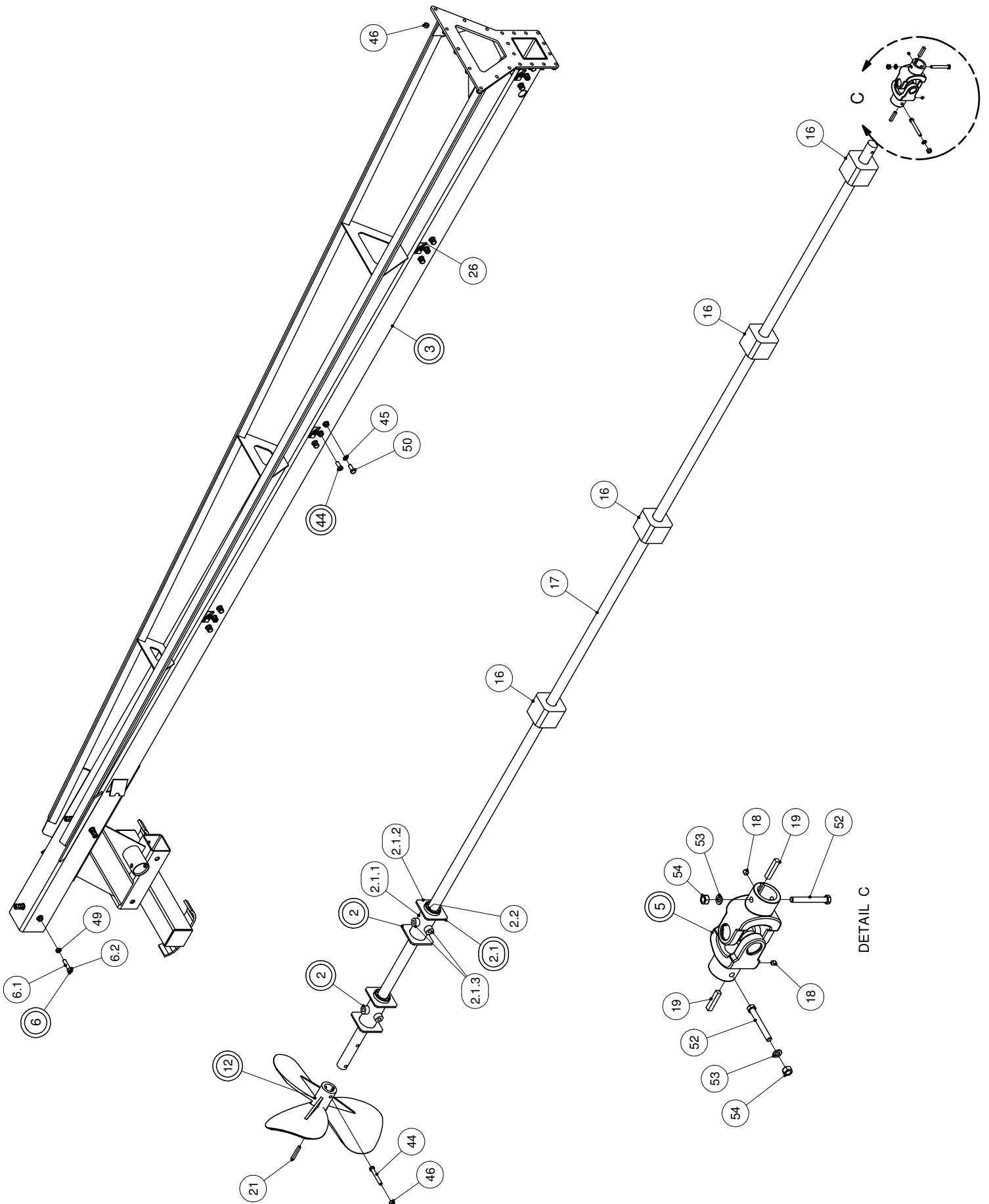


DETAIL A

35 FT PROPELLER AGITATOR ASSY

PARTS LIST				PARTS LIST			
ITEM	PART NUMBER	DESCRIPTION	QTY	ITEM	PART NUMBER	DESCRIPTION	QTY
1	480-03-00-000	UPPER SHAFT TUBE ASSY	1	21	480-00-00-075	3/8 x 75mm KEY	1
2	250-76-00-000	MARINE BRG & HOLDER COMPLETE	2	22	R09508	"MADE IN CANADA" DECAL - LARGE	1
2.1	250-76-34-000	MARINE BRG HOLDER ASSY	1	23	R08152	6 x 1/4 PAN HD SOCKET SCREW	2
2.1.1	250-76-34-180	URETHANE BRG SLEEVE	1	24	R09071	SERIAL NUMBER PLATE	1
2.1.2	250-76-34-181	BRG SLEEVE HOLDER	2	25	R09502	"HUSKY" DECAL	1
2.1.3	250-76-34-256	STABILIZER SLEEVE	2	26	R09582	GREASE SYMBOL DECAL	8
2.2	R20280	URETHANE	1	27	485-00-00-047	PTO GUARD BRKT	1
3	480-04-00-000	LOWER SHAFT TUBE ASSY	1	28	R07886	3/8 - 2 WAY LOCK NUT	2
4	480-02-00-000	UPPER SHAFT ASSY	1	29	R09785	"DANGER ROTATING DRIVELINE"	1
4.1	480-02-00-010	UPPER SHAFT	1			DECAL	
4.2	280-05-00-031	THRUST BEARING BLOCK	1	30	244-88-00-000	WOOD BEARING GREASE BOLT KIT	7
5	270-32-00-000	KNUCKLE ASSY	1	31	R22201	540 RPM PROP AGITATOR PTO	1
6	250-59-00-000	SET SCREW ASSY	4	32	250-87-51-000	HYDRAULIC HOSE ASSY	1
6.1	250-59-00-141	SS SET SCREW REDDI ROD	1	33	250-87-52-000	HYDRAULIC HOSE ASSY	1
6.2	R08235	1/2-13 SS UNC HEX NUT	1	34	R22148	5.40" SQ WOOD BEARING	3
7	480-01-00-000	HITCH FRAME ASSY	1	35	296-00-00-033	PTO GUARD	1
8	480-06-00-000	STAND ASSY	2	36	480-24-00-000	CAT 11 & 111 HITCH PIN KIT	2
8.1	480-06-00-045	STAND LEG	1	36.1	R08040	2 - 18 LYNCH PIN	1
8.2	480-06-00-046	STAND FOOT	1	36.2	R07990	3/8 x 2 1/2" ROLL PIN	1
9	480-15-00-000	LEG PIN ASSY	2	36.3	480-24-00-092	CAT 11 & 111 HITCH PIN	1
9.1	480-15-00-068	LEG PIN	1	37	480-25-00-000	CAT 11 & 111 TOP LINK PIN KIT	1
9.2	R07827	3/4" FLAT WASHER	1	37.1	R08041	1/4" LYNCH PIN	1
9.3	250-00-00-354	1/4 X 1 1/2" RING	1	37.2	R07942	1/4 x 2" ROLL PIN	1
10	480-08-00-000	PIVOT PIN ASSY	2	37.3	480-25-00-094	CAT 11 & 111 TOP LINK PIN	1
10.1	480-08-00-048	PIVOT PIN	1	38	R20206	1 3/4" THRUST BRG W/GREASE	1
10.2	R07828	1" FLAT WASHER	1			NIPPLE	
11	R08040	2 - 18 LYNCH PIN	4	39	R23319	50TH12 HYD CYL-ORB	1
12	480-18-00-000	1000 RPM PROPELLER ASSY-OVER SIZE	1	40	R23191	3/8" JIC M x ORB-8 M RESTRICTOR	1
				41	R23091	ORB-8 X 3/8" JIC M ADAPTOR	1
13	480-07-00-000	CYLINDER BAR ASSY	1	42	R23094	ORB-10 x 3/8" JIC M ADAPTOR	2
13.1	480-07-00-047	CYLINDER BAR	1	43	R23182	MALE PIONEER TIP-ORB-10	2
13.2	480-07-00-049	BUSHING	1	44	R07642	1/2 x 3 1/2 UNC HEX BOLT	2
14	480-09-00-000	CYLINDER PIN ASSY	1	45	R07805	1/2" LOCK WASHER	39
14.1	480-09-00-050	CYLINDER BAR PIN	1	46	R07785	1/2-13 UNC HEX NUT	27
14.2	R07828	1" FLAT WASHER	1	47	R07794	3/8-16 UNC FLANGE NUT	4
14.3	250-00-00-354	1/4 X 1 1/2" RING	1	48	R07638	1/2 x 1 1/2 UNC HEX BOLT	21
15	R08041	1/4" LYNCH PIN	1	49	R08046	1/2-13 UNC JAM NUT	4
16	R20233	1 7/8 SQUARE WOOD BRG	4	50	R07674	1/2 x 1 1/4 UNC HEX BOLT	14
17	480-00-00-043	LOWER DRIVE SHAFT	1	51	R07619	3/8 x 1 UNC HEX BOLT	2
18	R07909	3/8 x 3/8 SET SCREW	2	52	R07633	7/16 x 3 1/2 UNC HEX BOLT	2
19	270-00-00-075	3/8 KEY - 50mm LONG	2	53	R07804	7/16" LOCK WASHER	2
20	480-00-00-024	COVER PLATE	1	54	R07784	7/16-14 UNC HEX NUT	2

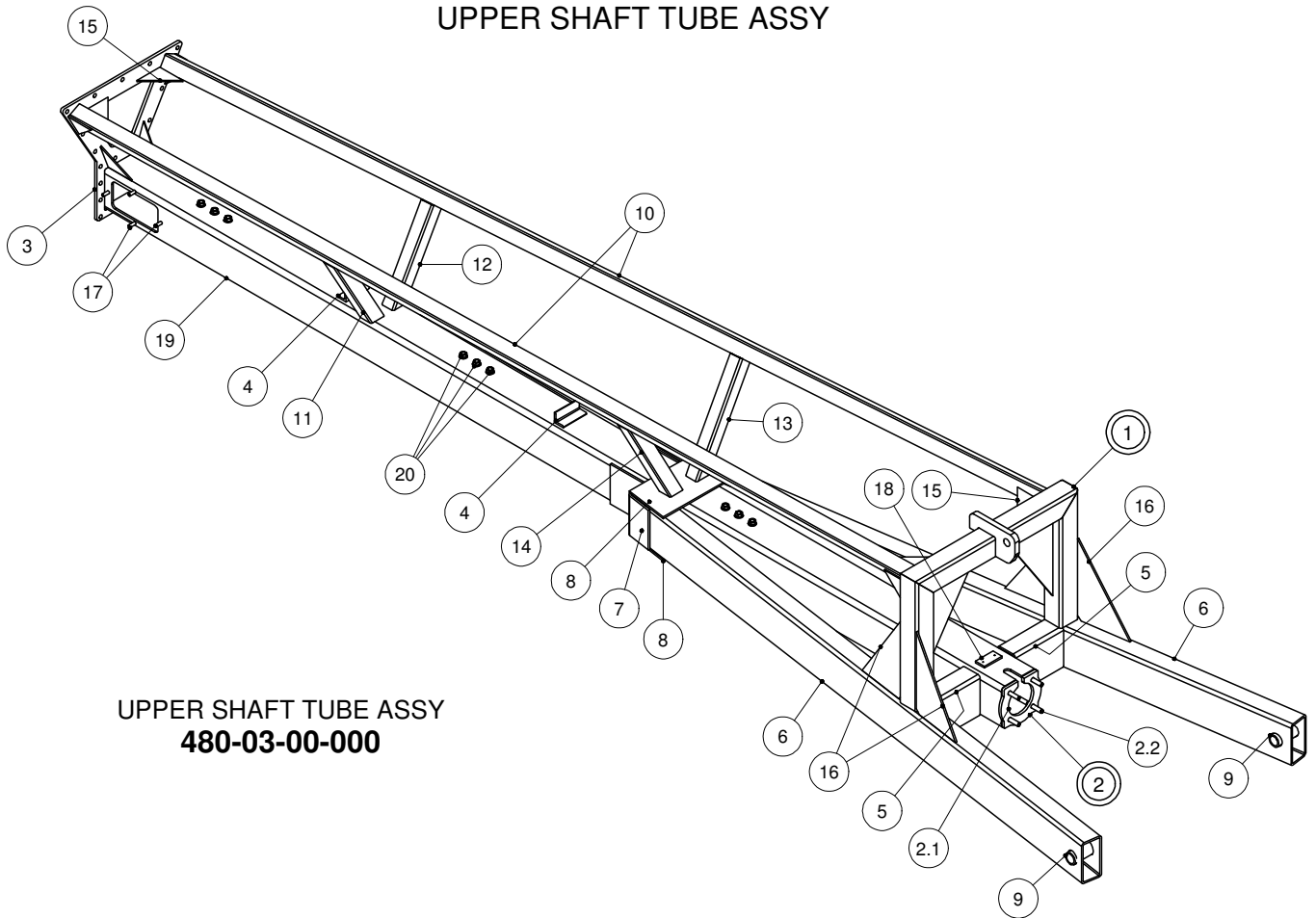
35 FT PROPELLER AGITATOR ASSY



35 FT PROPELLER AGITATOR ASSY

PARTS LIST				PARTS LIST			
ITEM	PART NUMBER	DESCRIPTION	QTY	ITEM	PART NUMBER	DESCRIPTION	QTY
1	480-03-00-000	UPPER SHAFT TUBE ASSY	1	21	480-00-00-075	3/8 x 75mm KEY	1
2	250-76-00-000	MARINE BRG & HOLDER COMPLETE	2	22	R09508	"MADE IN CANADA" DECAL - LARGE	1
2.1	250-76-34-000	MARINE BRG HOLDER ASSY	1	23	R08152	6 x 1/4 PAN HD SOCKET SCREW	2
2.1.1	250-76-34-180	URETHANE BRG SLEEVE	1	24	R09071	SERIAL NUMBER PLATE	1
2.1.2	250-76-34-181	BRG SLEEVE HOLDER	2	25	R09502	"HUSKY" DECAL	1
2.1.3	250-76-34-256	STABILIZER SLEEVE	2	26	R09582	GREASE SYMBOL DECAL	8
2.2	R20280	URETHANE	1	27	485-00-00-047	PTO GUARD BRKT	1
3	480-04-00-000	LOWER SHAFT TUBE ASSY	1	28	R07886	3/8 - 2 WAY LOCK NUT	2
4	480-02-00-000	UPPER SHAFT ASSY	1	29	R09785	"DANGER ROTATING DRIVELINE"	1
4.1	480-02-00-010	UPPER SHAFT	1			DECAL	
4.2	280-05-00-031	THRUST BEARING BLOCK	1	30	244-88-00-000	WOOD BEARING GREASE BOLT KIT	7
5	270-32-00-000	KNUCKLE ASSY	1	31	R22201	540 RPM PROP AGITATOR PTO	1
6	250-59-00-000	SET SCREW ASSY	4	32	250-87-51-000	HYDRAULIC HOSE ASSY	1
6.1	250-59-00-141	SS SET SCREW REDDI ROD	1	33	250-87-52-000	HYDRAULIC HOSE ASSY	1
6.2	R08235	1/2-13 SS UNC HEX NUT	1	34	R22148	5.40" SQ WOOD BEARING	3
7	480-01-00-000	HITCH FRAME ASSY	1	35	296-00-00-033	PTO GUARD	1
8	480-06-00-000	STAND ASSY	2	36	480-24-00-000	CAT 11 & 111 HITCH PIN KIT	2
8.1	480-06-00-045	STAND LEG	1	36.1	R08040	2 - 18 LYNCH PIN	1
8.2	480-06-00-046	STAND FOOT	1	36.2	R07990	3/8 x 2 1/2" ROLL PIN	1
9	480-15-00-000	LEG PIN ASSY	2	36.3	480-24-00-092	CAT 11 & 111 HITCH PIN	1
9.1	480-15-00-068	LEG PIN	1	37	480-25-00-000	CAT 11 & 111 TOP LINK PIN KIT	1
9.2	R07827	3/4" FLAT WASHER	1	37.1	R08041	1/4" LYNCH PIN	1
9.3	250-00-00-354	1/4 X 1 1/2" RING	1	37.2	R07942	1/4 x 2" ROLL PIN	1
10	480-08-00-000	PIVOT PIN ASSY	2	37.3	480-25-00-094	CAT 11 & 111 TOP LINK PIN	1
10.1	480-08-00-048	PIVOT PIN	1	38	R20206	1 3/4" THRUST BRG W/GREASE	1
10.2	R07828	1" FLAT WASHER	1			NIPPLE	
11	R08040	2 - 18 LYNCH PIN	4	39	R23319	50TH12 HYD CYL-ORB	1
12	480-18-00-000	1000 RPM PROPELLER ASSY-OVER SIZE	1	40	R23191	3/8" JIC M x ORB-8 M RESTRICTOR	1
				41	R23091	ORB-8 X 3/8" JIC M ADAPTOR	1
13	480-07-00-000	CYLINDER BAR ASSY	1	42	R23094	ORB-10 x 3/8" JIC M ADAPTOR	2
13.1	480-07-00-047	CYLINDER BAR	1	43	R23182	MALE PIONEER TIP-ORB-10	2
13.2	480-07-00-049	BUSHING	1	44	R07642	1/2 x 3 1/2 UNC HEX BOLT	2
14	480-09-00-000	CYLINDER PIN ASSY	1	45	R07805	1/2" LOCK WASHER	39
14.1	480-09-00-050	CYLINDER BAR PIN	1	46	R07785	1/2-13 UNC HEX NUT	27
14.2	R07828	1" FLAT WASHER	1	47	R07794	3/8-16 UNC FLANGE NUT	4
14.3	250-00-00-354	1/4 X 1 1/2" RING	1	48	R07638	1/2 x 1 1/2 UNC HEX BOLT	21
15	R08041	1/4" LYNCH PIN	1	49	R08046	1/2-13 UNC JAM NUT	4
16	R20233	1 7/8 SQUARE WOOD BRG	4	50	R07674	1/2 x 1 1/4 UNC HEX BOLT	14
17	480-00-00-043	LOWER DRIVE SHAFT	1	51	R07619	3/8 x 1 UNC HEX BOLT	2
18	R07909	3/8 x 3/8 SET SCREW	2	52	R07633	7/16 x 3 1/2 UNC HEX BOLT	2
19	270-00-00-075	3/8 KEY - 50mm LONG	2	53	R07804	7/16" LOCK WASHER	2
20	480-00-00-024	COVER PLATE	1	54	R07784	7/16-14 UNC HEX NUT	2

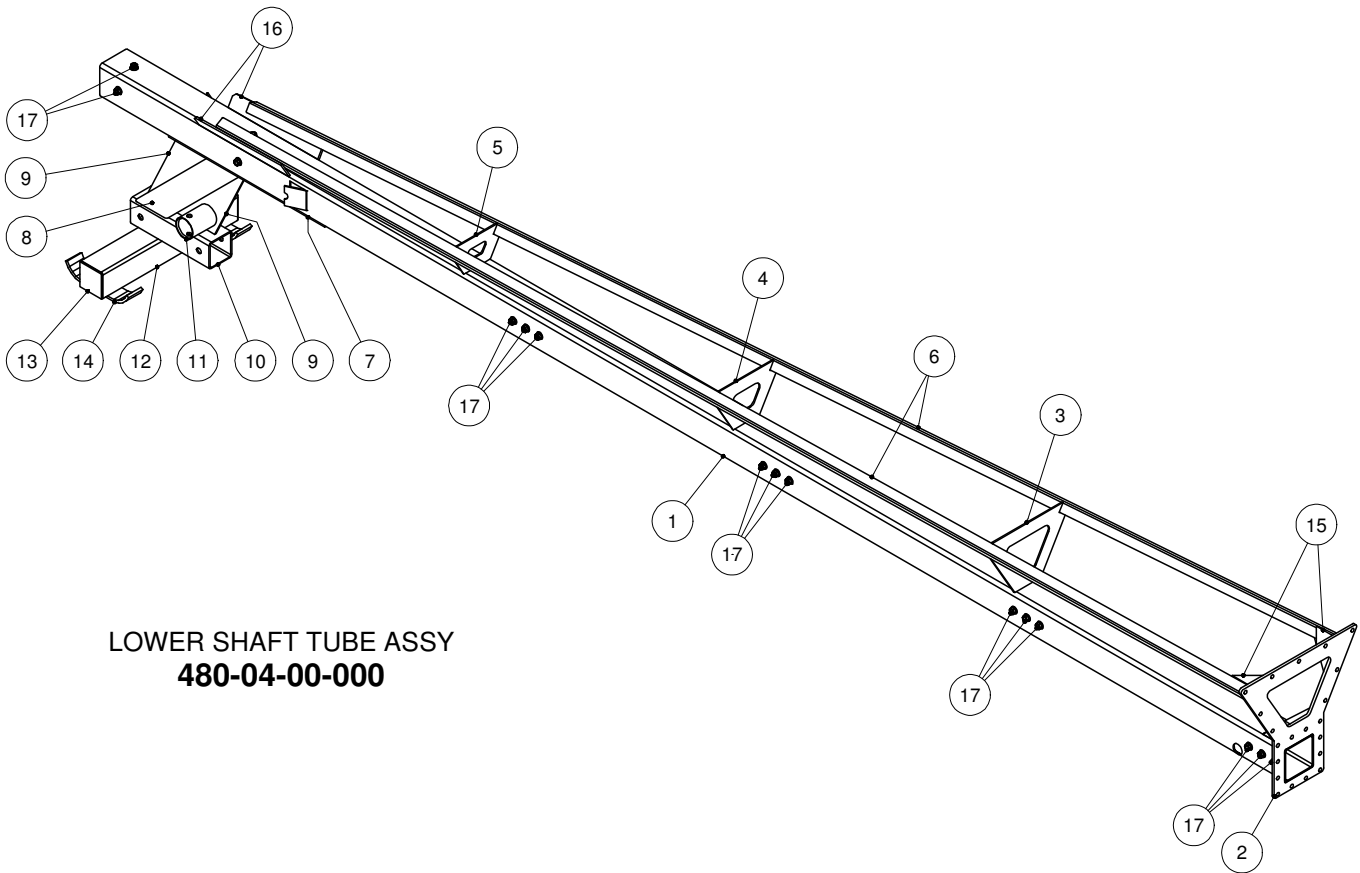
UPPER SHAFT TUBE ASSY



**UPPER SHAFT TUBE ASSY
480-03-00-000**

PARTS LIST			
ITEM	PART NUMBER	DESCRIPTION	QTY
1	480-03-02-000	FRAME SUB ASSY	1
2	480-03-03-000	BEARING FLANGE ASSY	1
2.1	480-03-00-012	BEARING FLANGE	1
2.2	R07639	1/2 x 2 UNC HEX BOLT	4
3	480-03-00-013	BRIDGE FLANGE	1
4	480-03-00-073	TRAILER STOP	2
5	480-03-00-017	CROSS TUBE	2
6	480-03-00-014	LIFT ARM	2
7	480-03-00-018	"Z" BRACKET	2
8	480-03-00-021	LARGE GUSSET	2
9	480-03-00-015	BUSHING	2
10	480-03-00-023	REINFORCING TUBE	2
11	480-03-00-028	RH LOWER SUPPORT TUBE	1
12	480-03-00-006	LH LOWER SUPPORT TUBE	1
13	480-03-00-007	LH UPPER SUPPORT TUBE	1
14	480-03-00-029	RH UPPER SUPPORT TUBE	1
15	480-03-00-016	SMALL GUSSET	10
16	480-03-00-022	GUSSET	4
17	R08323	3/8 x 1 SS WELD STUD	4
18	340-01-00-498	SERIAL NO. BACK PLATE	1
19	480-03-00-011	UPPER TUBE	1
20	R08304	1/2-13 UNC SS FLANGE NUT	9

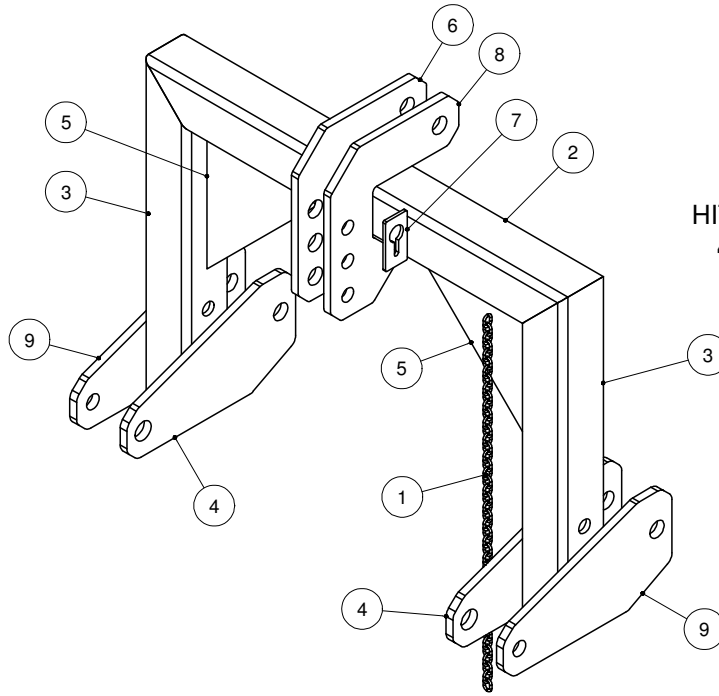
LOWER SHAFT TUBE ASSY



**LOWER SHAFT TUBE ASSY
480-04-00-000**

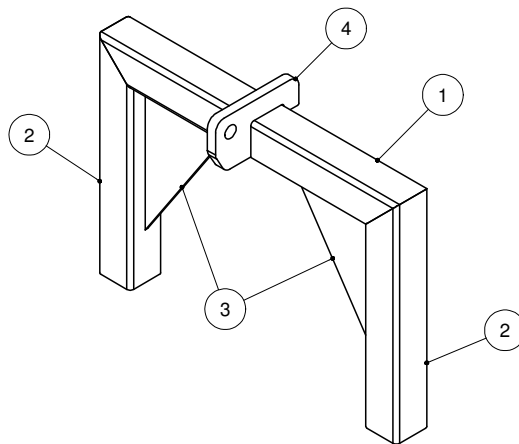
PARTS LIST			
ITEM	PART NUMBER	DESCRIPTION	QTY
1	480-04-00-030	LOWER SHAFT TUBE	1
2	480-04-00-027	LOWER BRIDGE FLANGE	1
3	480-04-00-070	UPPER SPACER PLATE	1
4	480-04-00-069	LOWER SPACER PLATE	1
5	480-04-00-074	BOTTOM SPACER PLATE	1
6	480-04-00-031	LOWER REINFORCING TUBE	2
7	480-04-00-042	LEG BRACE PLATE	1
8	480-04-00-038	LEG	1
9	480-04-00-040	LEG GUSSET	2
10	480-04-00-026	TONGUE MOUNTING TUBE	1
11	480-04-00-072	LONG TONGUE JACK BRKT	1
12	480-04-00-039	FOOT	1
13	480-04-00-041	FOOT CAP	2
14	480-04-00-071	SKID FEET	2
15	480-03-00-016	SMALL GUSSET	6
16	480-04-00-079	LOWER TUBE GUSSET	2
17	R08304	1/2-13 UNC SS FLANGE NUT	16

HITCH FRAMES



**HITCH FRAME ASSY
480-01-00-000**

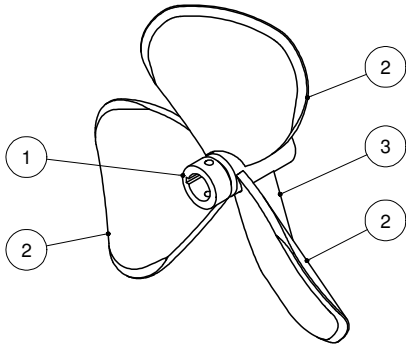
PARTS LIST			
ITEM	PART NUMBER	DESCRIPTION	QTY
1	480-01-00-044	PTO RETAINING CHAIN	1
2	480-01-00-002	HITCH FRAME TOP PC	1
3	480-01-00-001	HITCH FRAME SIDE	2
4	480-01-00-005	HITCH PLATE	2
5	480-01-00-004	GUSSET	2
6	480-01-00-003	UPPER LINK CONN PLATE	1
7	480-01-00-008	CHAIN BRKT	1
8	480-01-00-093	OUTER UPPER LINK CONN PLATE	1
9	480-01-00-091	HITCH PLATE	2



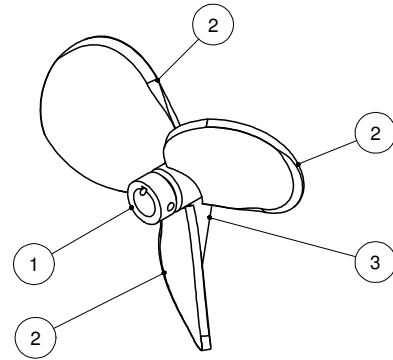
**FRAME SUB ASSY
480-03-02-000**

PARTS LIST			
ITEM	PART NUMBER	DESCRIPTION	QTY
1	480-03-00-020	TOP CROSS TUBE	1
2	480-03-00-019	VERTICAL TUBE	2
3	480-03-00-022	GUSSET	2
4	480-03-00-025	BAR BRACKET	1

HD PROPELLER BLADES



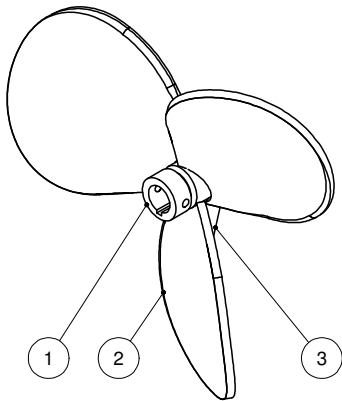
Ø23.5"
STANDARD ON 35 FT AGITATOR
3 BLADE PROPELLER ASSY
1000 RPM
480-18-00-000



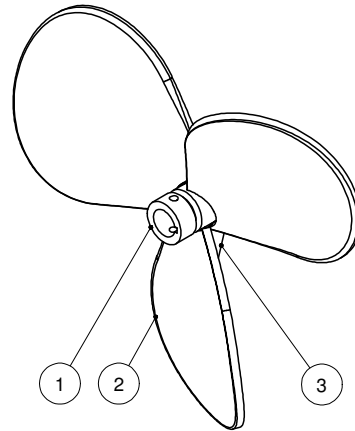
Ø21.13"
1000 RPM OPTIONAL PROPELLER
280-16-00-000

PARTS LIST				PARTS LIST			
ITEM	PART NUMBER	DESCRIPTION	QTY	ITEM	PART NUMBER	DESCRIPTION	QTY
1	280-07-00-034	PROPELLER HUB	1	1	280-07-00-034	PROPELLER HUB	1
2	480-18-00-076	1000 RPM PROPELLER BLADE	3	2	280-16-00-050	1000 RPM PROP BLADE	3
3	280-07-00-035	GUSSET	3	3	280-07-00-035	GUSSET	3

- KEY USED WITH ALL PROPS - **480-00-00-075**



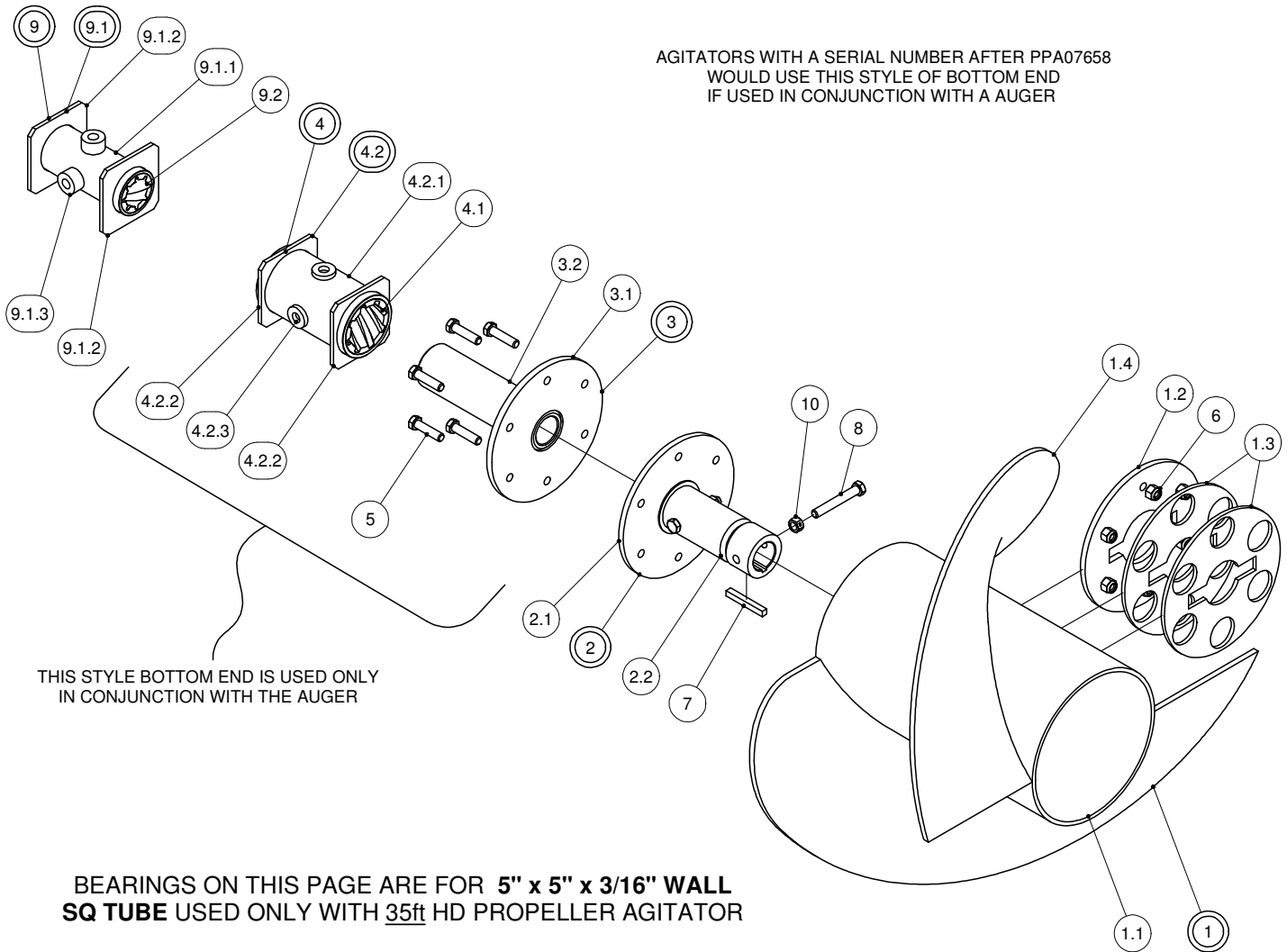
Ø26.6"
540 RPM OPTIONAL PROPELLER
280-15-00-000



Ø28.56"
540 RPM OVERSIZE PROPELLER
280-31-00-000

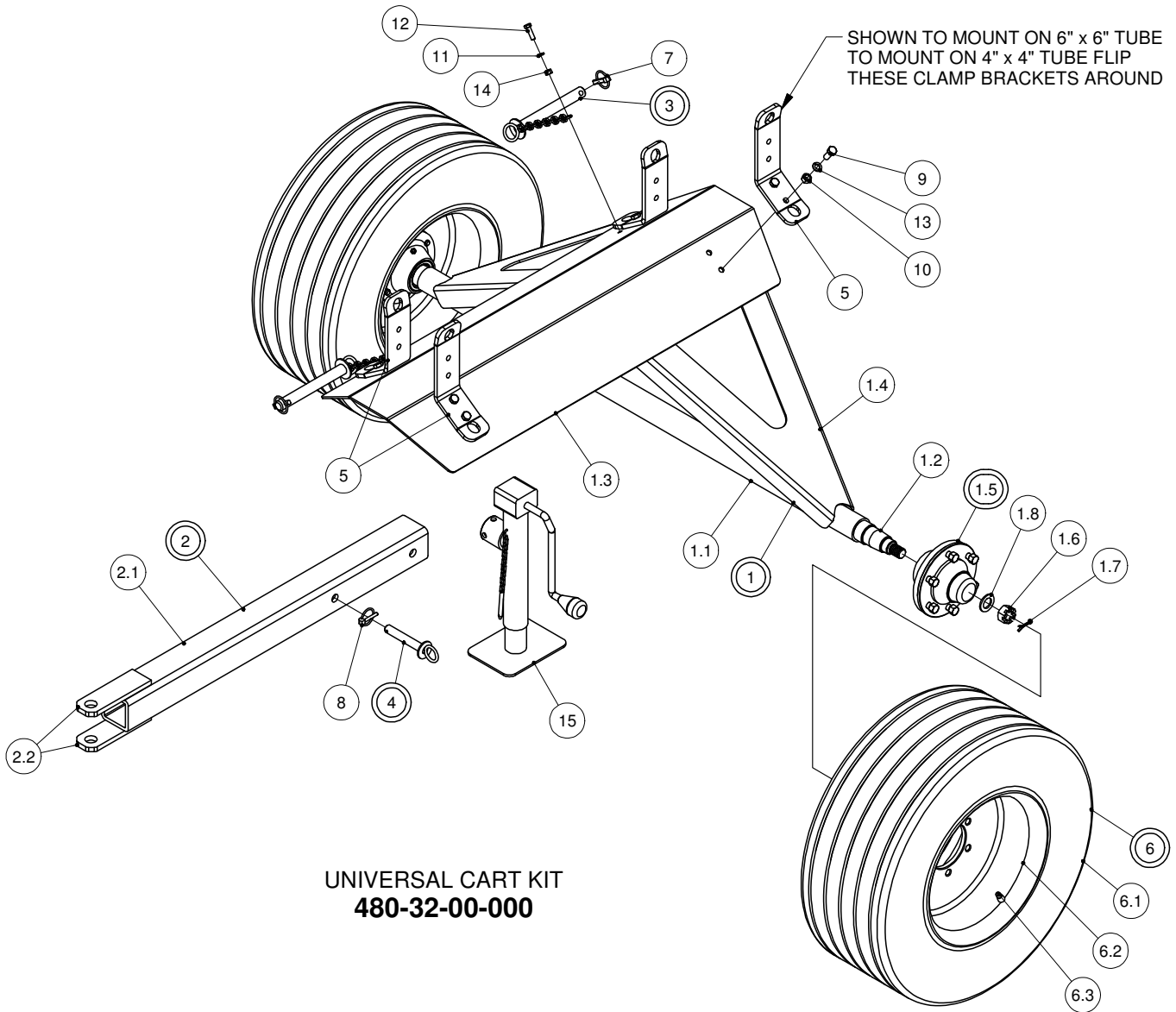
PARTS LIST				PARTS LIST			
ITEM	PART NUMBER	DESCRIPTION	QTY	ITEM	PART NUMBER	DESCRIPTION	QTY
1	280-07-00-034	PROPELLER HUB	1	1	280-07-00-034	PROPELLER HUB	1
2	280-15-00-049	540 RPM PROPELLER BLADE	3	2	280-31-00-109	540 OVERSIZED PROP BLADE	3
3	280-07-00-035	GUSSET	3	3	280-07-00-035	GUSSET	3

BOTTOM END DETAIL 480 - AFTER 2007



PARTS LIST				PARTS LIST			
ITEM	PART NUMBER	DESCRIPTION	QTY	ITEM	PART NUMBER	DESCRIPTION	QTY
1	485-05-00-000	AUGER ASSY	1	4.2.1	244-13-01-320	HOLDER TUBE	1
1.1	485-05-00-024	AUGER TUBE	1	4.2.2	485-18-01-065	BEARING HOLDER PLATE	2
1.2	485-05-00-025	END FLANGE	1	4.2.3	485-18-01-066	SET SCREW SEAT	2
1.3	485-05-00-026	MIDDLE FLANGE	2	9	250-76-00-000	MARINE BRG & HOLDER COMPLETE	1
1.4	485-05-00-027	RH AUGER FLITE	2	9.1	250-76-34-000	MARINE BRG HOLDER ASSY	1
2	485-04-00-000	AUGER HUB ASSY	1	9.1.1	250-76-34-180	URETHANE BRG SLEEVE	1
2.1	485-04-00-023	HUB FLANGE	1	9.1.2	250-76-34-181	BRG SLEEVE HOLDER	2
2.2	485-04-00-022	AUGER HUB	1	9.1.3	250-76-34-256	STABILIZER SLEEVE	2
3	485-19-00-000	REINFORCING HUB ASSY	1	9.2	R20280	URETHANE	1
3.1	485-04-00-023	HUB FLANGE	1	5	R07639	1/2 x 2 UNC HEX BOLT	6
3.2	485-19-00-067	REINFORCING HUB	1	6	R08219	1/2 UNC NYLOCK NUT	6
4	485-18-00-000	2 3/4" AUGER MARINE BRG COMPLETE	1	7	480-00-00-075	3/8 x 75mm KEY	1
4.1	R20224	H5000 2 3/4" URETHENE FOR BRG	1	8	R07642	1/2 x 3 1/2 UNC HEX BOLT	2
4.2	485-18-01-000	2 3/4" AUGER MARINE BRG HOLDER	1	10	R07885	1/2-13 UNC 2-WAY LOCK NUT	2

UNIVERSAL CART KIT

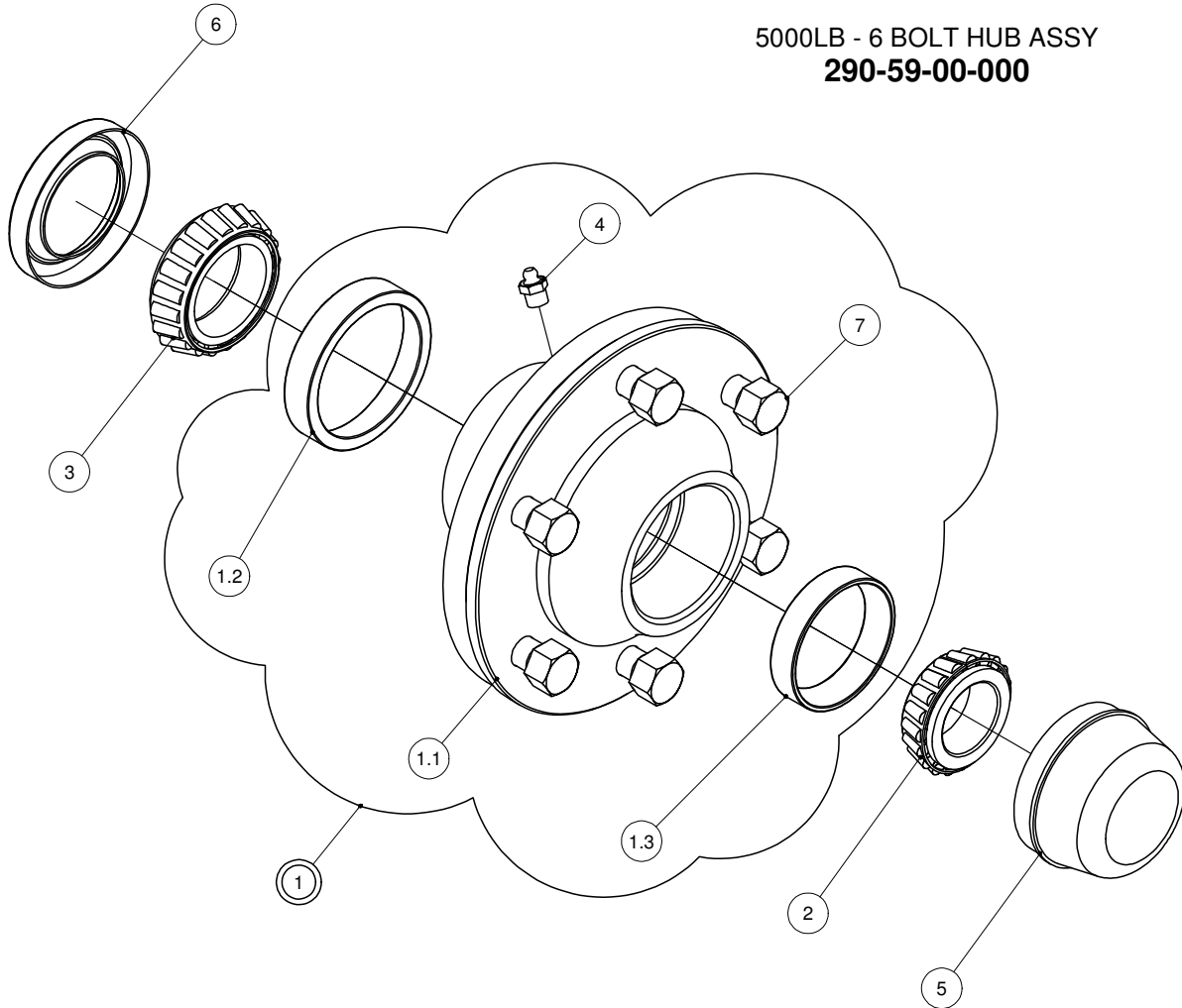


**UNIVERSAL CART KIT
480-32-00-000**

PARTS LIST				PARTS LIST			
ITEM	PART NUMBER	DESCRIPTION	QTY	ITEM	PART NUMBER	DESCRIPTION	QTY
1	480-32-01-000	AGITATOR FRAME ASSY	1	5	480-32-00-112	UNIVERSAL CLAMP BRKTT	4
1.1	480-10-01-054	TRAILER CROSS TUBE	1	6	247-07-00-000	TIRE & WHEEL ASSY P275/60R15	2
1.2	247-01-01-033	SPINDLE	2	6.1	R22560	P275 60R15 PASSENGER TIRE	1
1.3	480-32-01-110	AGITATOR CART BASE PLATE	1	6.2	R20045	15 x 8 x 6 BOLT WHEEL	1
1.4	480-32-01-111	AGITATOR CART "V" FRAME	2	6.3	R20020	VALVE STEM	1
1.5	290-59-00-000	5000LB - 6 BOLT HUB ASSY	2	7	R08040	2 - 18 LYNCH PIN	2
1.6	R20117	SPINDLE NUT	2	8	R08041	1/4" LYNCH PIN	1
1.7	R08015	3/16 x 2 COTTER PIN	2	9	R08217	1/2 x 1 1/4 SS UNC HEX BOLT	8
1.8	R20154	SPINDLE WASHER	2	10	R08235	1/2-13 SS UNC HEX NUT	8
2	480-10-02-000	TONGUE TUBE ASSY	1	11	R08319	3/8" SS LOCK WASHER	2
2.1	480-10-02-063	TONGUE TUBE	1	12	R08410	3/8 x 1 1/4 SS UNC HEX BOLT	2
2.2	480-10-02-064	HITCH PLATE	2	13	R08414	1/2" SS LOCK WASHER	8
3	480-10-03-000	PIN & CHAIN ASSY	2	14	R08440	3/8-16 SS UNC HEX NUT	2
4	480-10-04-000	TONGUE PIN ASSY	1	15	R09751	7000LB SIDE WIND JACK	1

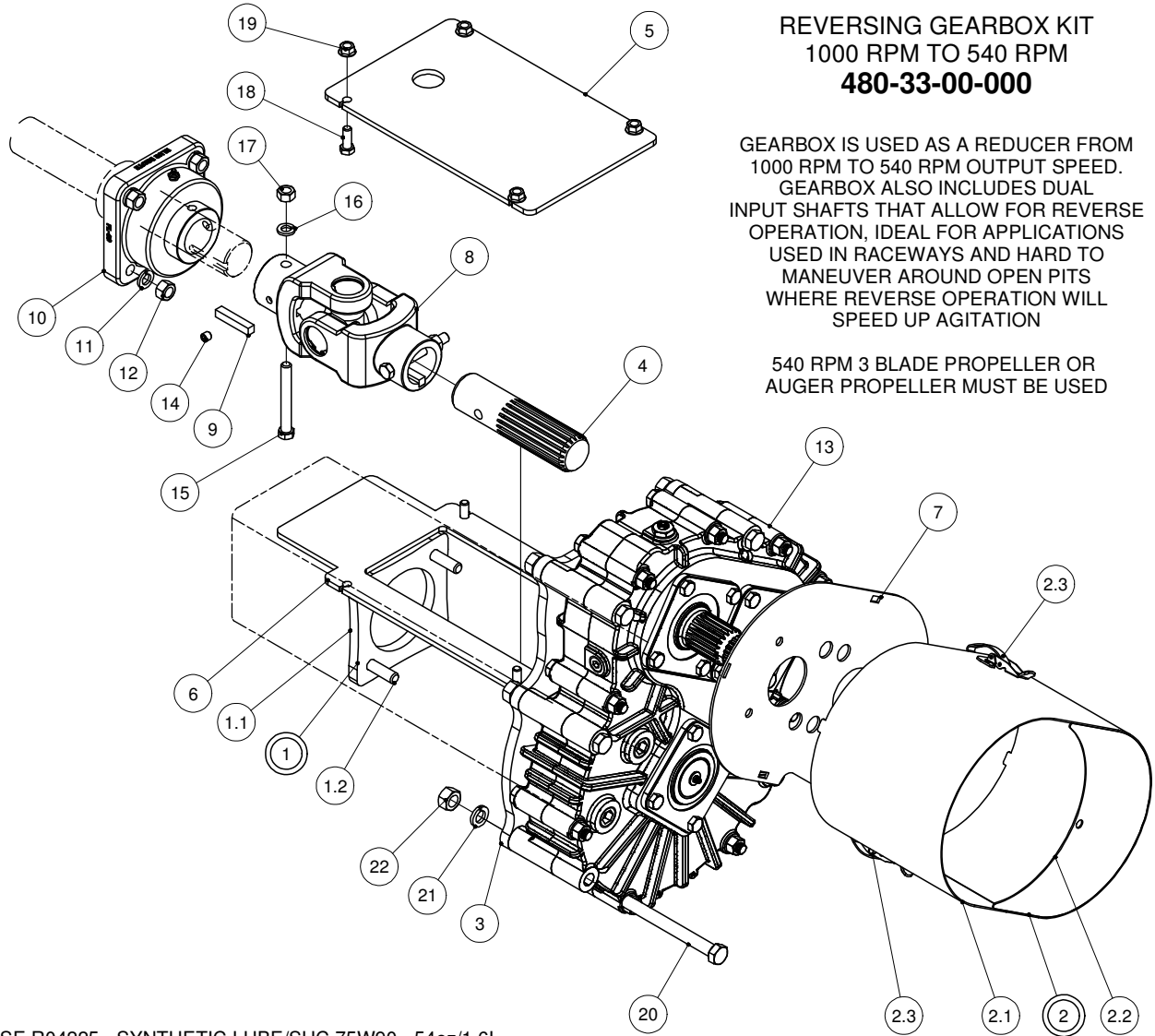
5000LB 6 BOLT HUB ASSY

5000LB - 6 BOLT HUB ASSY
290-59-00-000



PARTS LIST			
ITEM	PART NUMBER	DESCRIPTION	QTY
1	R22055	5000LB HUB w/ CUPS	1
1.1	R22054	5000LB HUB - 6 BOLT	1
1.2	R22058	INNER CUP LM603011	1
1.3	R22060	OUTER CUP LM48510	1
2	R22061	OUTER CONE LM48548	1
3	R22059	INNER CONE LM603049	1
4	R08186	1/8" NPT GREASE FTG	1
5	R22062	DUST CAP	1
6	R22063	SEAL CR2004	1
7	R20110	9/16 UNF WHEEL BOLT	6

REVERSING GEARBOX KIT



REVERSING GEARBOX KIT 1000 RPM TO 540 RPM 480-33-00-000

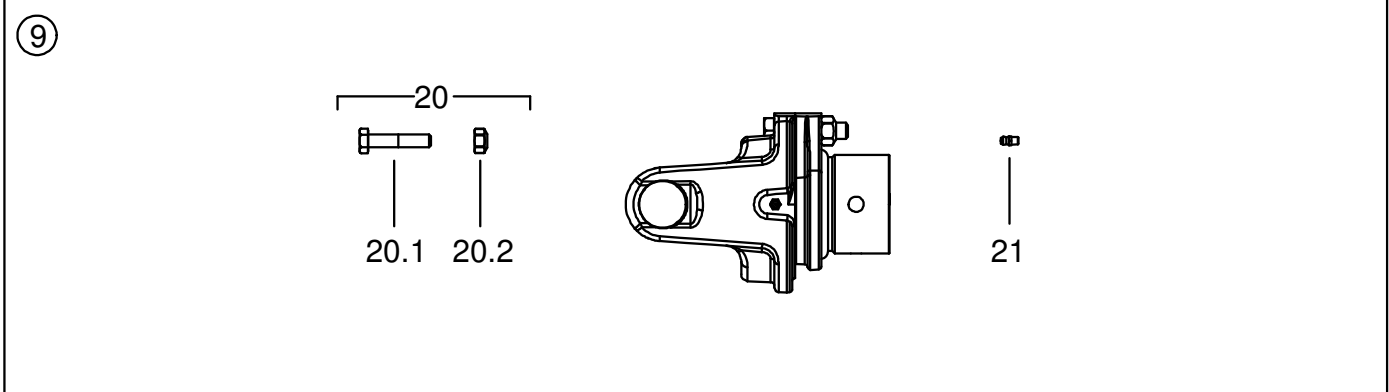
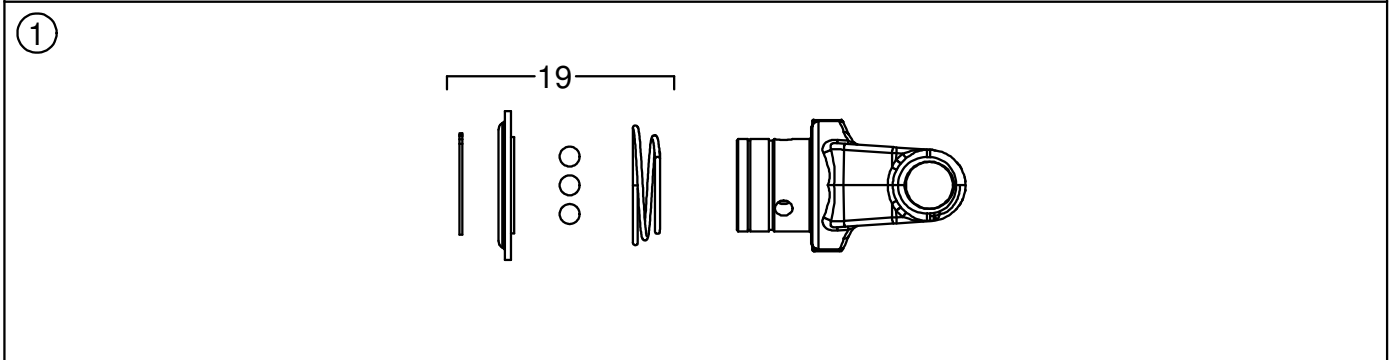
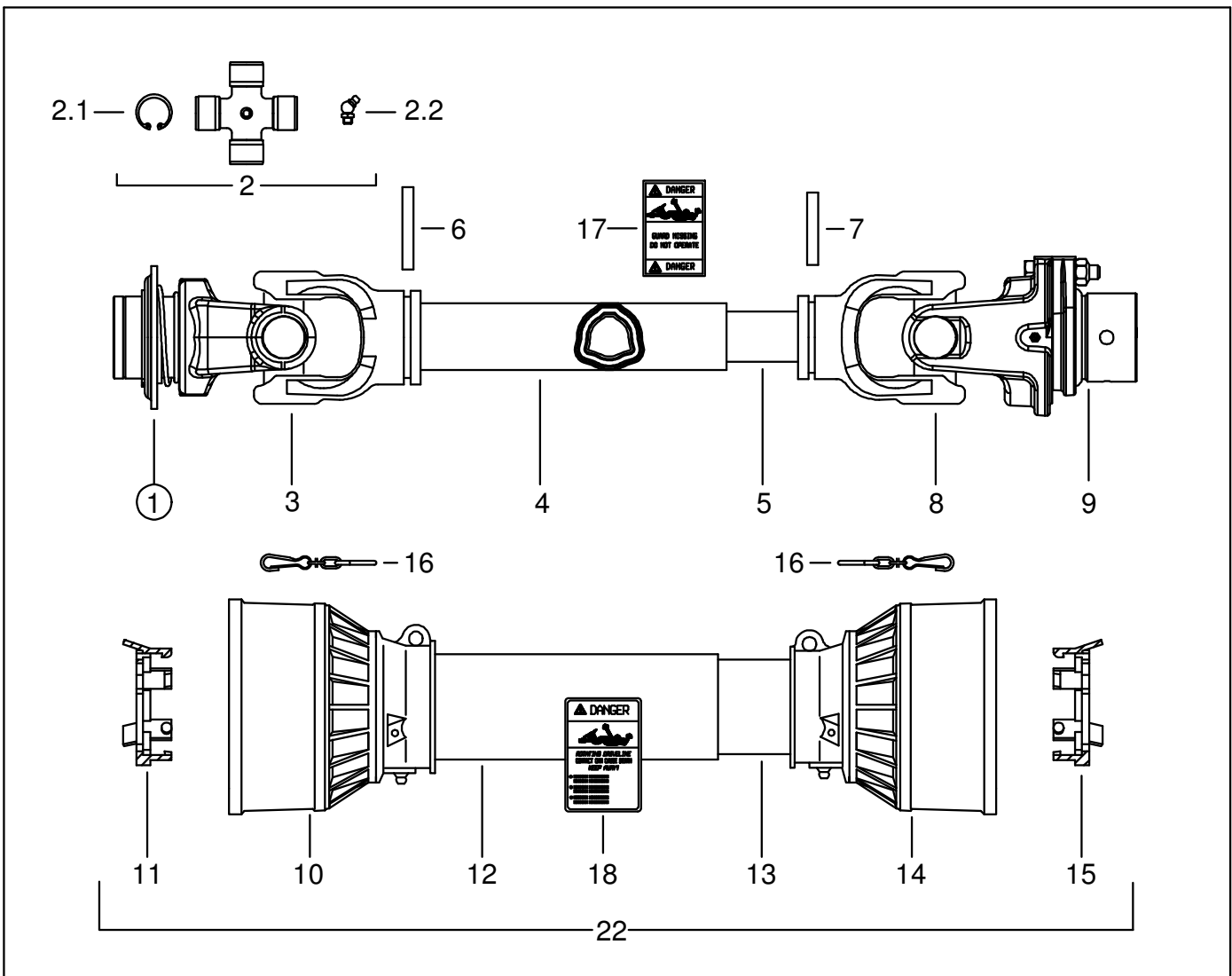
GEARBOX IS USED AS A REDUCER FROM 1000 RPM TO 540 RPM OUTPUT SPEED. GEARBOX ALSO INCLUDES DUAL INPUT SHAFTS THAT ALLOW FOR REVERSE OPERATION, IDEAL FOR APPLICATIONS USED IN RACEWAYS AND HARD TO MANEUVER AROUND OPEN PITS WHERE REVERSE OPERATION WILL SPEED UP AGITATION

540 RPM 3 BLADE PROPELLER OR AUGER PROPELLER MUST BE USED

USE R04225 - SYNTHETIC LUBE/SHC 75W90 - 54oz/1.6L

PARTS LIST				PARTS LIST			
ITEM	PART NUMBER	DESCRIPTION	QTY	ITEM	PART NUMBER	DESCRIPTION	QTY
1	480-33-01-000	BRG BOLT PLATE ASSY	1	10	R20205	1 3/4" SQ FLANGE BEARING	1
1.1	480-33-01-114	BRG BOLT PLATE	1	11	R07805	1/2" LOCK WASHER	4
1.2	R07639	1/2 x 2 UNC HEX BOLT	4	12	R07785	1/2-13 UNC HEX NUT	4
2	480-33-02-000	PTO GUARD ASSY	1	13	R22497	REVERSING GEARBOX 1000 to 540rpm	1
2.1	480-33-02-119	PTO SHIELD	1	14	R07865	3/8 x 3/8 UNF SET SCREW	2
2.2	480-33-02-120	SHIELD CAP	1	15	R07633	7/16 x 3 1/2 UNC HEX BOLT	2
2.3	R10513	DRAW LATCH - 3 5/8" LONG	2	16	R07804	7/16" LOCK WASHER	2
3	480-33-00-113	REVERSING GEARBOX FLANGE	1	17	R07784	7/16-14 UNC HEX NUT	2
4	480-33-00-115	STUB SHAFT 1-3/4 Z20	1	18	R07619	3/8 x 1 UNC HEX BOLT	4
5	480-33-00-116	TUBE INSPECTION COVER	1	19	R07794	3/8-16 UNC FLANGE NUT	4
6	480-33-00-117	TUBE INSPECTION BASE PLATE	1	20	R07609	9/16 x 5 1/2 UNC HEX BOLT	6
7	480-33-00-118	PTO GUARD MOUNT PLATE	1	21	R07858	9/16" LOCK WASHER	6
8	270-32-00-000	KNUCKLE ASSY	1	22	R07818	9/16-12 UNC HEX NUT	6
9	270-00-00-075	3/8 KEY - 50mm LONG	2				

PROPELLER AGITATOR PTO



PROPELLER AGITATOR PTO

R22200 - 1 3/8" 6 TOOTH - 540 RPM (STANDARD)

R22201 - 1 3/8" 21 TOOTH - 1000 RPM

R22202 - 1 3/4" 20 TOOTH - 1000 RPM

PARTS LIST				
ITEM	MFG NUMBER	PART NUMBER	DESCRIPTION	QTY
1	5720M0355	R22330	1 3/8 - 6 TOOTH QD YOKE w/ SLEEVES 540 rpm	1
	5720M3755	R22332	1 3/8 - 21 TOOTH QD YOKE w/ SLEEVES 1000 rpm	1
	5720M3855	R22333	1 3/4 - 20 TOOTH QD YOKE w/ SLEEVES 1000 rpm	1
2	4120M0011R20	R21614	CROSS KIT - S9 34.9x106	2
2.1	338023000	R21621	CIRCLIP	4
2.2	348004000	R21655	GREASE NIPPLE 45°	1
3	204086860	R21620	YOKE #8 OUTER TUBE	1
4	225730803	R21616	CARDAN DRIVE TUBE - OUTER	1
5	225690803	R21615	CARDAN DRIVE TUBE - INNER	1
6	341054000R10	R21613	FLEXIBLE PIN - OUTER 12x90mm	1
7	341055000R10	R21612	FLEXIBLE PIN - INNER 12x75mm	1
8	204086861	R21619	YOKE #8 INNER TUBE	1
9	6060M8801	R21648	1 3/4" RD HOLE SHEAR YOKE	1
10	517080130	R21610	OUTER SHIELD CONE	1
11	255080005R02	R21609	OUTER SHIELD SUPPORT	1
12	236850752	R21618	CM SAFETY TUBE-OUTER	1
13	236840752	R21617	CM SAFETY TUBE-INNER	1
14	517080120	R21611	INNER SHIELD CONE	1
15	255080006R02	R21608	INNER SHIELD SUPPORT	1
16	252000050R02	R21738	SHIELD TIE CHAIN	2
17	399143000	R21523	"SHIELD MISSING" DECAL	1
18	399141000	R21521	ROTATING DRIVELINE DECAL	1
19	240003551	R21713	R.S. COLLAR KIT	1
20	-	480-31-00-000	SHEAR BOLT 5-PACK	1
20.1	-	R21639	M12-1.75 x55 HEX BOLT GR 8.8 (NOT FOR INDIVIDUAL SALE)	1
20.2	-	R21604	M12-1.75 NYLOCK NUT (NOT FOR INDIVIDUAL SALE)	1
21	348017000R20	R21687	GREASE NIPPLE M6x1 STRAIGHT	1
22	5F08101FFUC	R21629	COMPLETE SHIELD KIT	1

GUARANTEE

All Husky Farm Equipment manufactured by Husky Farm Equipment Limited is guaranteed. Guarantee covers all the replacement cost or repair of all parts said to be defective from manufacture. Guarantee also covers labour installing said parts, if installed at Husky Manufacturing plant. Time and use is the essence of the guarantee. If equipment is used on a private property for an individual's use, guarantee will be in effect for twelve months from date of invoice. If equipment is used for commercial use to do custom work for money then guarantee will be in effect for three months only from date of invoice.

EXEMPTIONS FROM GUARANTEE

Cost of transportation of equipment to or from Husky Farm Equipment Limited either by customer or by Husky's service staff or cost of mail or public transportation is not covered. Tires and electric or hydraulic motors are covered by manufacturer's warranty and although Husky may assist to get warranty, Husky will not be responsible other than that allowed by manufacturer's warranty. Items subject to normal wear from use not covered by guarantee if faulty part is simply worn.