

Date Purchased _____ Machine Serial No. _____

Size of Agitator _____ Options _____

The key number system in this parts book is arranged as follows:

- ⊙ - Key numbers with two circles denotes main assemblies.
- - Key numbers with one circle are individual parts

Please order parts by number



35ft HD PROPELLER AGITATOR

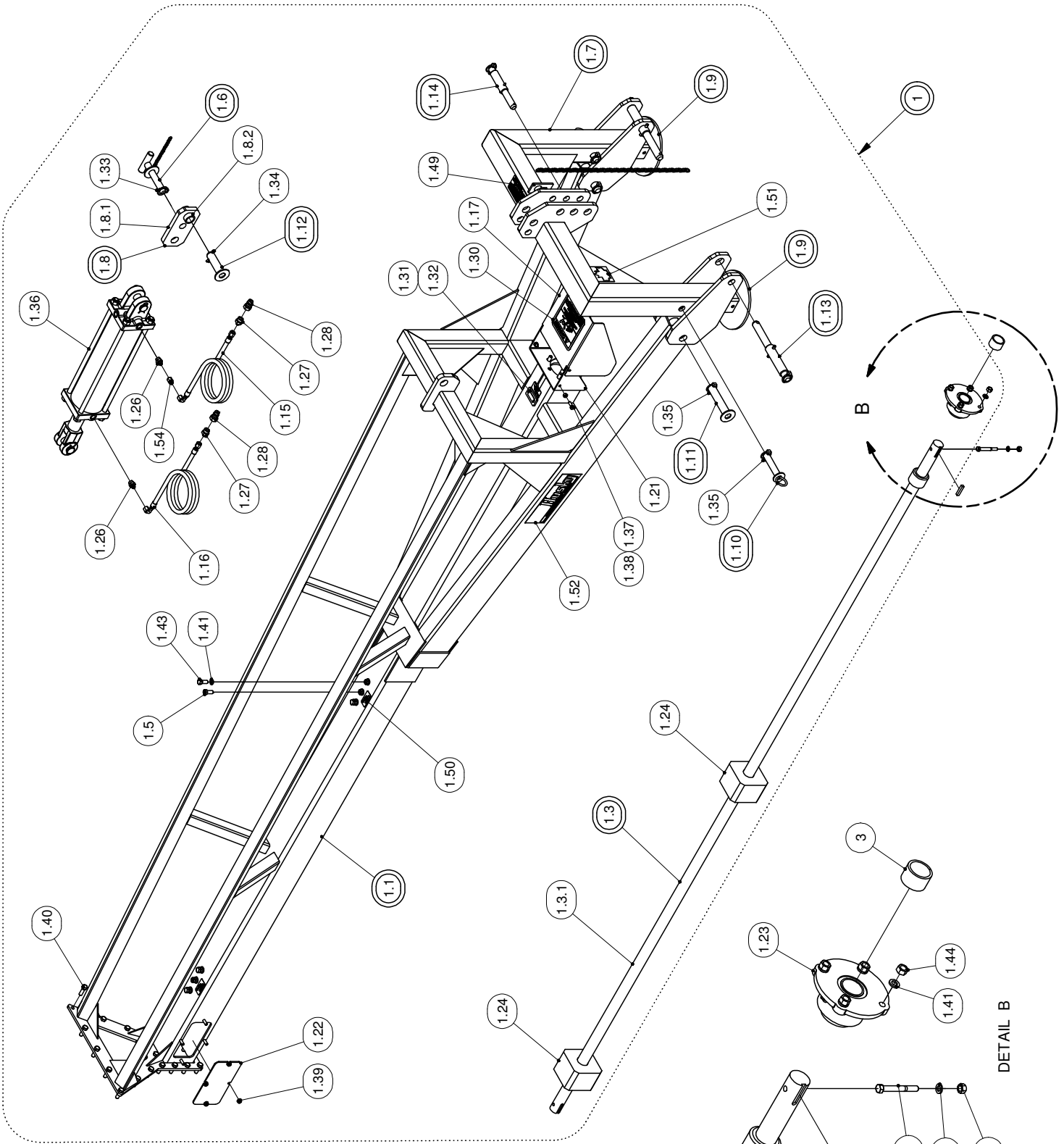
480-00-00-000

OPERATING INSTRUCTIONS:

We welcome you as an owner of a Husky Propeller Agitator. To ensure this machine reaches its maximum life span and operates at an optimum level, we recommend the following:

1. Do not leave propeller in manure pit – remove propeller from pit – wash off and coat with old oil or diesel fuel.
2. Grease top thrust bearing five to ten shots daily.
3. Grease the wood bearings five shots daily.
4. Grease the PTO knuckles daily and oil the slide tube.
5. Make sure when in use that the PTO knuckles are both taking equal amount of bend otherwise propeller might vibrate.
6. **EXTREME DANGER** – Never enter a dirty manure spreader or storage tank – one breath of hydrogen sulphide gas is enough to kill. Have a ladder in your pit, so that if by accident you should fall in, you can get out.

35 FT PROPELLER AGITATOR ASSY



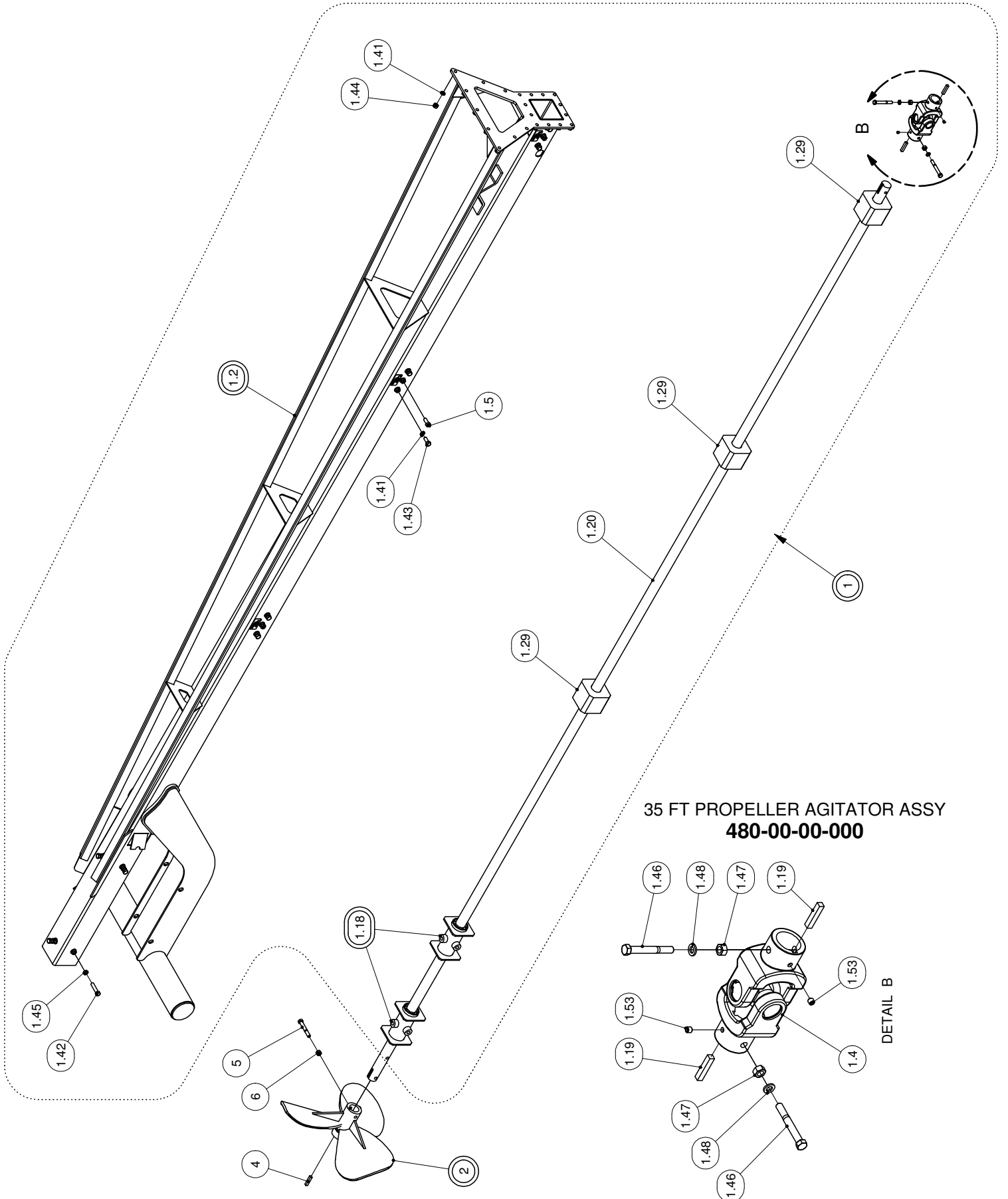
35 FT PROPELLER AGITATOR ASSY
480-00-00-000

DETAIL B

35 FT PROPELLER AGITATOR ASSY

PARTS LIST				PARTS LIST			
ITEM	PART NUMBER	DESCRIPTION	QTY	ITEM	PART NUMBER	DESCRIPTION	QTY
1	480-35-00-000	35 FT HD AGITATOR KIT W/O PROP & PTO	1	1.30	R09785	"DANGER ROTATING DRIVELINE" DECAL	1
1.1	480-03-00-000	UPPER SHAFT TUBE ASSY	1	1.31	R08152	6 x 1/4 PAN HD SOCKET SCREW	2
1.2	480-04-00-000	LOWER SHAFT TUBE ASSY	1	1.32	R09071	SERIAL NUMBER PLATE	1
1.3	480-02-00-000	UPPER SHAFT ASSY	1	1.33	R08041	1/4" LYNCH PIN	1
1.3.1	480-02-00-010	UPPER SHAFT	1	1.34	R08016	1/4 x 2 COTTER PIN	1
1.3.2	280-05-00-031	THRUST BEARING BLOCK	1	1.35	R08040	7/16" LYNCH PIN	4
1.4	270-32-00-000	KNUCKLE ASSY	1	1.36	R23321	50TH16 HYD CYL-ORB	1
1.5	244-88-00-000	WOOD BEARING GREASE BOLT KIT	5	1.37	R07619	3/8-16 UNC x 1 HEX BOLT GR.5	2
1.6	280-23-05-000	PIVOT BRKT PIN ASSY	1	1.38	R07886	3/8-16 UNC 2-WAY LOCK NUT - ZINC	2
1.7	480-01-00-000	HITCH FRAME ASSY	1	1.39	R07794	3/8-16 UNC FLANGE NUT - ZINC	4
1.9	480-06-00-000	STAND ASSY	2	1.40	R07638	1/2-13 UNC x 1.5 HEX BOLT GR.5	21
1.10	480-15-00-000	LEG PIN ASSY	2	1.41	R07805	1/2 LOCK WASHER - ZINC	35
1.11	480-08-00-000	PIVOT PIN ASSY	2	1.42	R08503	1/2-13 UNC x 2.25 HEX BOLT SS-FULL THD	4
1.12	480-09-00-000	CYLINDER PIN ASSY	1	1.43	R08217	1/2-13 UNC x 1.25 HEX BOLT SS	10
1.13	480-24-00-000	CAT 11 & 111 HITCH PIN KIT	2	1.44	R07785	1/2-13 UNC HEX NUT - ZINC	26
1.14	480-25-00-000	CAT 11 & 111 TOP LINK PIN KIT	1	1.45	R08046	1/2-13 UNC HEX JAM NUT - ZINC	4
1.8	480-07-00-000	CYLINDER BAR ASSY	1	1.46	R07633	7/16-14 UNC x 3.5 HEX BOLT GR.5	2
1.8.1	480-07-00-047	CYLINDER BAR	1	1.47	R07784	7/16-14 UNC HEX NUT - ZINC	2
1.8.2	480-07-00-049	BUSHING	1	1.48	R07804	7/16 LOCK WASHER - ZINC	2
1.15	250-87-51-000	HYDRAULIC HOSE ASSY	1	1.49	R09734	CAUTION REMOVE PIN DECAL	1
1.16	250-87-52-000	HYDRAULIC HOSE ASSY	1	1.50	R09582	GREASE SYMBOL DECAL	6
1.17	296-00-00-033	PTO GUARD	1	1.51	R09508	"MADE IN CANADA" DECAL - LARGE	1
1.18	250-76-00-000	MARINE BRG & HOLDER COMPLETE	2	1.52	R09691	HUSKY DECAL 3.75" x 13"	2
1.19	270-00-00-075	3/8" KEY - 51.00 mm LONG	2	1.53	R07909	3/8-16 UNC x 0.38 SET SCREW - ZINC	2
1.20	480-00-00-043	LOWER DRIVE SHAFT	1	1.54	R23193	3/8" JIC M. x 3/8" JIC F. RESTRICTOR	1
1.21	485-00-00-047	PTO GUARD BRKT	1	2	480-18-00-000	1000 RPM PROPELLER ASSY-OVER SIZE	1
1.22	480-00-00-024	COVER PLATE	1	3	480-30-00-106	SPACER PIPE FOR REV THRUST BRG	1
1.23	R20206	1 3/4" THRUST BRG W/GREASE NIPPLE	1	4	270-00-00-075	3/8" KEY - 51.00 mm LONG	2
1.24	R22148	5.40" SQ WOOD BEARING	2	5	R08459	1/2-13 UNC x 3.5 HEX BOLT SS	2
1.26	R23091	ORB-8 X 3/8" JIC M ADAPTOR	2	6	R08219	1/2-13 UNC NYLOCK NUT - ZINC	2
1.27	R23094	ORB-10 x 3/8" JIC M ADAPTOR	2	7	R07633	7/16-14 UNC x 3.5 HEX BOLT GR.5	1
1.28	R23182	MALE PIONEER TIP-ORB-10	2	8	R07804	7/16 LOCK WASHER - ZINC	1
1.29	R20233	1 7/8 SQUARE WOOD BRG	3	9	R07784	7/16-14 UNC HEX NUT - ZINC	1

35 FT PROPELLER AGITATOR ASSY



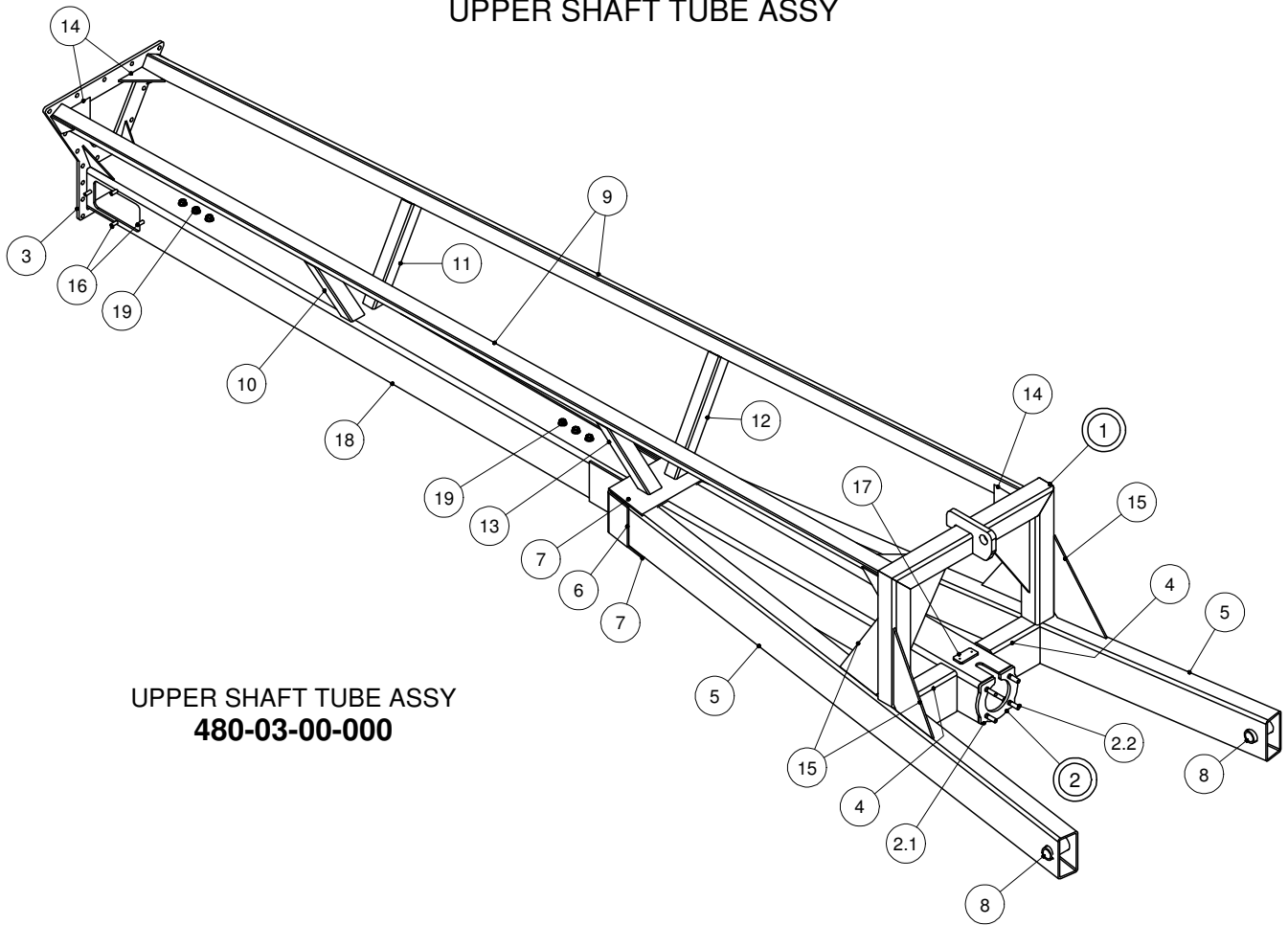
35 FT PROPELLER AGITATOR ASSY
480-00-00-000

DETAIL B

35 FT PROPELLER AGITATOR ASSY

PARTS LIST				PARTS LIST			
ITEM	PART NUMBER	DESCRIPTION	QTY	ITEM	PART NUMBER	DESCRIPTION	QTY
1	480-35-00-000	35 FT HD AGITATOR KIT W/O PROP & PTO	1	1.30	R09785	"DANGER ROTATING DRIVELINE" DECAL	1
1.1	480-03-00-000	UPPER SHAFT TUBE ASSY	1	1.31	R08152	6 x 1/4 PAN HD SOCKET SCREW	2
1.2	480-04-00-000	LOWER SHAFT TUBE ASSY	1	1.32	R09071	SERIAL NUMBER PLATE	1
1.3	480-02-00-000	UPPER SHAFT ASSY	1	1.33	R08041	1/4" LYNCH PIN	1
1.3.1	480-02-00-010	UPPER SHAFT	1	1.34	R08016	1/4 x 2 COTTER PIN	1
1.3.2	280-05-00-031	THRUST BEARING BLOCK	1	1.35	R08040	7/16" LYNCH PIN	4
1.4	270-32-00-000	KNUCKLE ASSY	1	1.36	R23321	50TH16 HYD CYL-ORB	1
1.5	244-88-00-000	WOOD BEARING GREASE BOLT KIT	5	1.37	R07619	3/8-16 UNC x 1 HEX BOLT GR.5	2
1.6	280-23-05-000	PIVOT BRKT PIN ASSY	1	1.38	R07886	3/8-16 UNC 2-WAY LOCK NUT - ZINC	2
1.7	480-01-00-000	HITCH FRAME ASSY	1	1.39	R07794	3/8-16 UNC FLANGE NUT - ZINC	4
1.9	480-06-00-000	STAND ASSY	2	1.40	R07638	1/2-13 UNC x 1.5 HEX BOLT GR.5	21
1.10	480-15-00-000	LEG PIN ASSY	2	1.41	R07805	1/2 LOCK WASHER - ZINC	35
1.11	480-08-00-000	PIVOT PIN ASSY	2	1.42	R08503	1/2-13 UNC x 2.25 HEX BOLT SS-FULL THD	4
1.12	480-09-00-000	CYLINDER PIN ASSY	1	1.43	R08217	1/2-13 UNC x 1.25 HEX BOLT SS	10
1.13	480-24-00-000	CAT 11 & 111 HITCH PIN KIT	2	1.44	R07785	1/2-13 UNC HEX NUT - ZINC	26
1.14	480-25-00-000	CAT 11 & 111 TOP LINK PIN KIT	1	1.45	R08046	1/2-13 UNC HEX JAM NUT - ZINC	4
1.8	480-07-00-000	CYLINDER BAR ASSY	1	1.46	R07633	7/16-14 UNC x 3.5 HEX BOLT GR.5	2
1.8.1	480-07-00-047	CYLINDER BAR	1	1.47	R07784	7/16-14 UNC HEX NUT - ZINC	2
1.8.2	480-07-00-049	BUSHING	1	1.48	R07804	7/16 LOCK WASHER - ZINC	2
1.15	250-87-51-000	HYDRAULIC HOSE ASSY	1	1.49	R09734	CAUTION REMOVE PIN DECAL	1
1.16	250-87-52-000	HYDRAULIC HOSE ASSY	1	1.50	R09582	GREASE SYMBOL DECAL	6
1.17	296-00-00-033	PTO GUARD	1	1.51	R09508	"MADE IN CANADA" DECAL - LARGE	1
1.18	250-76-00-000	MARINE BRG & HOLDER COMPLETE	2	1.52	R09691	HUSKY DECAL 3.75" x 13"	2
1.19	270-00-00-075	3/8" KEY - 51.00 mm LONG	2	1.53	R07909	3/8-16 UNC x 0.38 SET SCREW - ZINC	2
1.20	480-00-00-043	LOWER DRIVE SHAFT	1	1.54	R23193	3/8" JIC M. x 3/8" JIC F. RESTRICTOR	1
1.21	485-00-00-047	PTO GUARD BRKT	1	2	480-18-00-000	1000 RPM PROPELLER ASSY-OVER SIZE	1
1.22	480-00-00-024	COVER PLATE	1	3	480-30-00-106	SPACER PIPE FOR REV THRUST BRG	1
1.23	R20206	1 3/4" THRUST BRG W/GREASE NIPPLE	1	4	270-00-00-075	3/8" KEY - 51.00 mm LONG	2
1.24	R22148	5.40" SQ WOOD BEARING	2	5	R08459	1/2-13 UNC x 3.5 HEX BOLT SS	2
1.26	R23091	ORB-8 X 3/8" JIC M ADAPTOR	2	6	R08219	1/2-13 UNC NYLOCK NUT - ZINC	2
1.27	R23094	ORB-10 x 3/8" JIC M ADAPTOR	2	7	R07633	7/16-14 UNC x 3.5 HEX BOLT GR.5	1
1.28	R23182	MALE PIONEER TIP-ORB-10	2	8	R07804	7/16 LOCK WASHER - ZINC	1
1.29	R20233	1 7/8 SQUARE WOOD BRG	3	9	R07784	7/16-14 UNC HEX NUT - ZINC	1

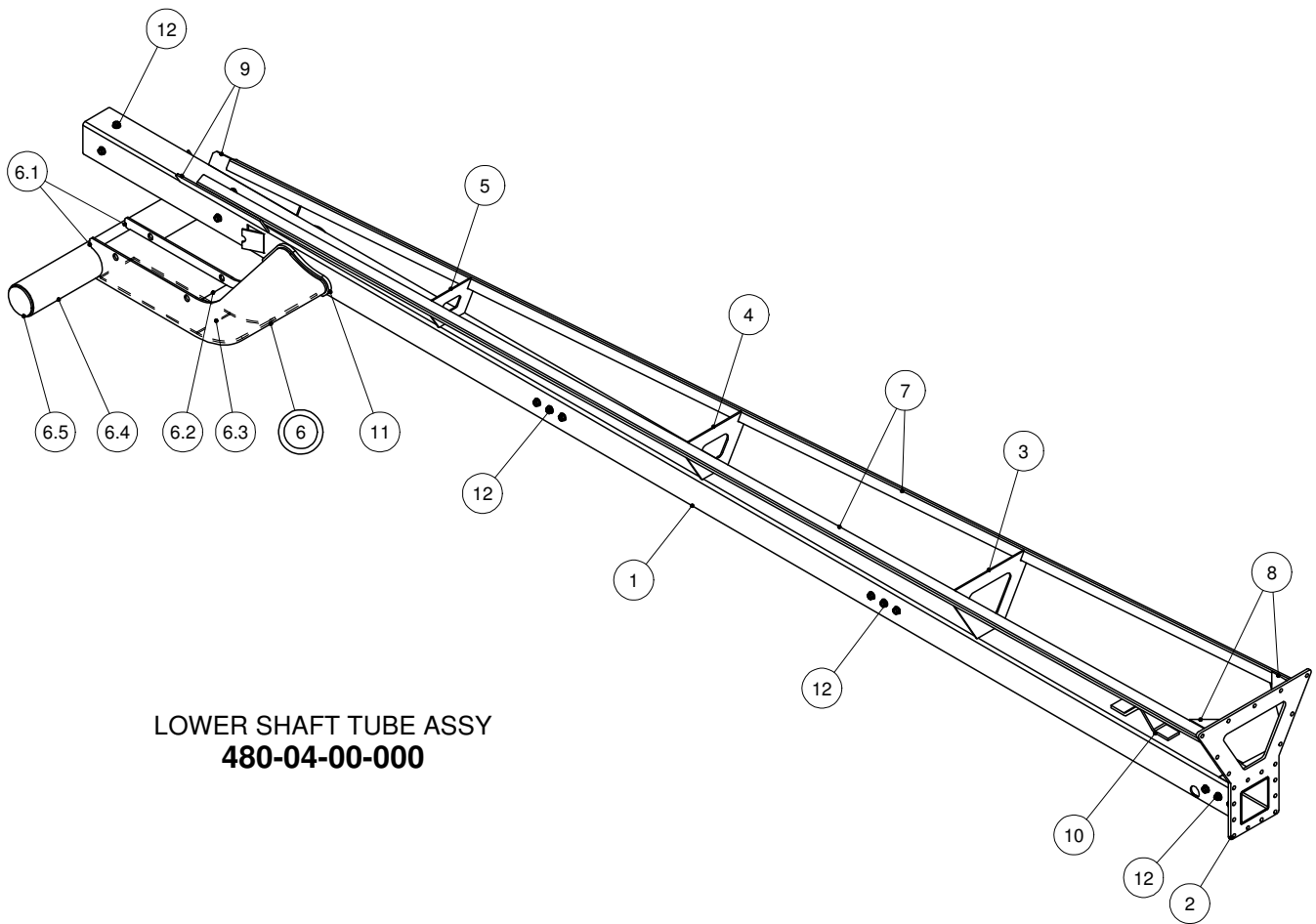
UPPER SHAFT TUBE ASSY



**UPPER SHAFT TUBE ASSY
480-03-00-000**

PARTS LIST			
ITEM	PART NUMBER	DESCRIPTION	QTY
1	480-03-02-000	FRAME SUB ASSY	1
2	480-03-03-000	BEARING FLANGE ASSY	1
2.1	480-03-00-012	BEARING FLANGE	1
2.2	R07639	1/2-13 UNC x 2 HEX BOLT GR.5	4
3	480-03-00-013	BRIDGE FLANGE	1
4	480-03-00-017	CROSS TUBE	2
5	480-03-00-014	LIFT ARM	2
6	480-03-00-018	"Z" BRACKET	2
7	480-03-00-021	LARGE GUSSET	2
8	480-03-00-015	BUSHING	2
9	480-03-00-023	REINFORCING TUBE	2
10	480-03-00-028	RH LOWER SUPPORT TUBE	1
11	480-03-00-006	LH LOWER SUPPORT TUBE	1
12	480-03-00-007	LH UPPER SUPPORT TUBE	1
13	480-03-00-029	RH UPPER SUPPORT TUBE	1
14	480-03-00-016	SMALL GUSSET	10
15	480-03-00-022	GUSSET	4
16	R08323	3/8 x 1 SS WELD STUD	4
17	340-01-00-498	SERIAL NO. BACK PLATE	1
18	480-03-00-011	UPPER TUBE	1
19	R08304	1/2-13 UNC FLANGE NUT - SS	6

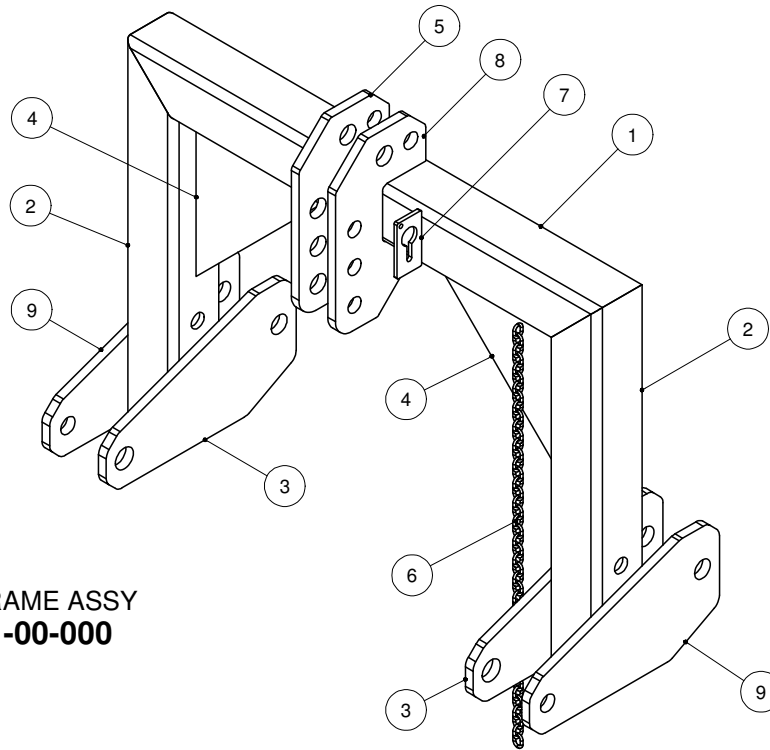
LOWER SHAFT TUBE ASSY



**LOWER SHAFT TUBE ASSY
480-04-00-000**

PARTS LIST			
ITEM	PART NUMBER	DESCRIPTION	QTY
1	480-04-00-030	LOWER SHAFT TUBE	1
2	480-04-00-027	LOWER BRIDGE FLANGE	1
3	480-04-00-070	UPPER SPACER PLATE	1
4	480-04-00-069	LOWER SPACER PLATE	1
5	480-04-00-074	BOTTOM SPACER PLATE	1
6	485-20-08-000	ATTACHMENT FRAME ASSY	1
6.1	485-20-08-090	FOOT SIDE PLATE	2
6.2	485-20-08-091	FOOT TOP PLATE	1
6.3	485-20-08-092	FOOT BOTTOM PLATE	1
6.4	485-20-08-093	ROUND FOOT TUBE	1
6.5	485-20-08-088	ROUND FOOT TUBE CAP	2
7	480-04-00-031	LOWER REINFORCING TUBE	2
8	480-03-00-016	SMALL GUSSET	6
9	480-04-00-079	LOWER TUBE GUSSET	2
10	300-01-00-012	TANK LIFT HOOK	1
11	480-04-00-121	FOOT SIDE SPACER	2
12	R08304	1/2-13 UNC FLANGE NUT - SS	13

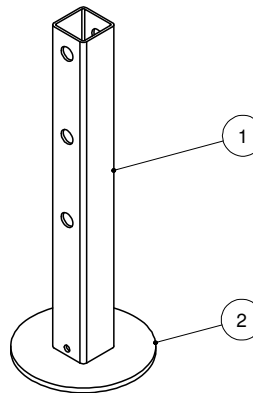
HITCH FRAME ASSY



**HITCH FRAME ASSY
480-01-00-000**

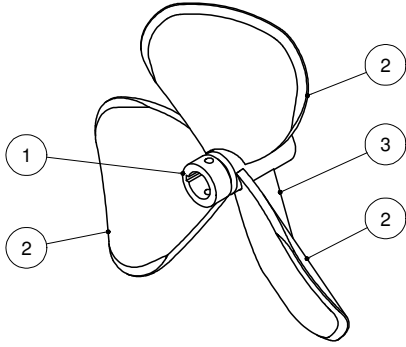
PARTS LIST			
ITEM	PART NUMBER	DESCRIPTION	QTY
1	480-01-00-002	HITCH FRAME TOP PC	1
2	480-01-00-001	HITCH FRAME SIDE	2
3	480-01-00-005	HITCH PLATE	2
4	480-01-00-004	GUSSET	2
5	480-01-00-003	UPPER LINK CONN PLATE	1
6	480-01-00-044	PTO RETAINING CHAIN	1
7	480-01-00-008	CHAIN BRKT	1
8	480-01-00-093	OUTER UPPER LINK CONN PLATE	1
9	480-01-00-091	HITCH PLATE	2

**STAND ASSY
480-06-00-000**

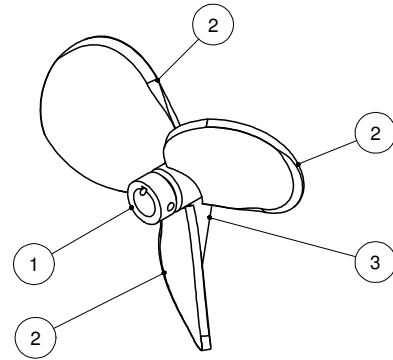


PARTS LIST			
ITEM	PART NUMBER	DESCRIPTION	QTY
1	480-06-00-045	STAND LEG	1
2	480-06-00-046	STAND FOOT	1

HD PROPELLER BLADES



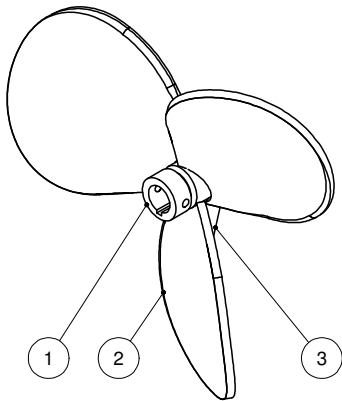
Ø23.5"
STANDARD ON 35 FT AGITATOR
3 BLADE PROPELLER ASSY
1000 RPM
480-18-00-000



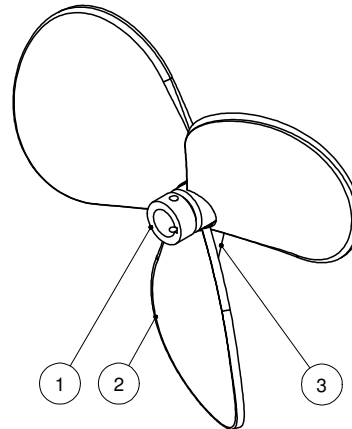
Ø21.13"
1000 RPM OPTIONAL PROPELLER
280-16-00-000

PARTS LIST				PARTS LIST			
ITEM	PART NUMBER	DESCRIPTION	QTY	ITEM	PART NUMBER	DESCRIPTION	QTY
1	280-07-00-034	PROPELLER HUB	1	1	280-07-00-034	PROPELLER HUB	1
2	480-18-00-076	1000 RPM PROPELLER BLADE	3	2	280-16-00-050	1000 RPM PROP BLADE	3
3	280-07-00-035	GUSSET	3	3	280-07-00-035	GUSSET	3

- KEY USED WITH ALL PROPS - **480-00-00-075**



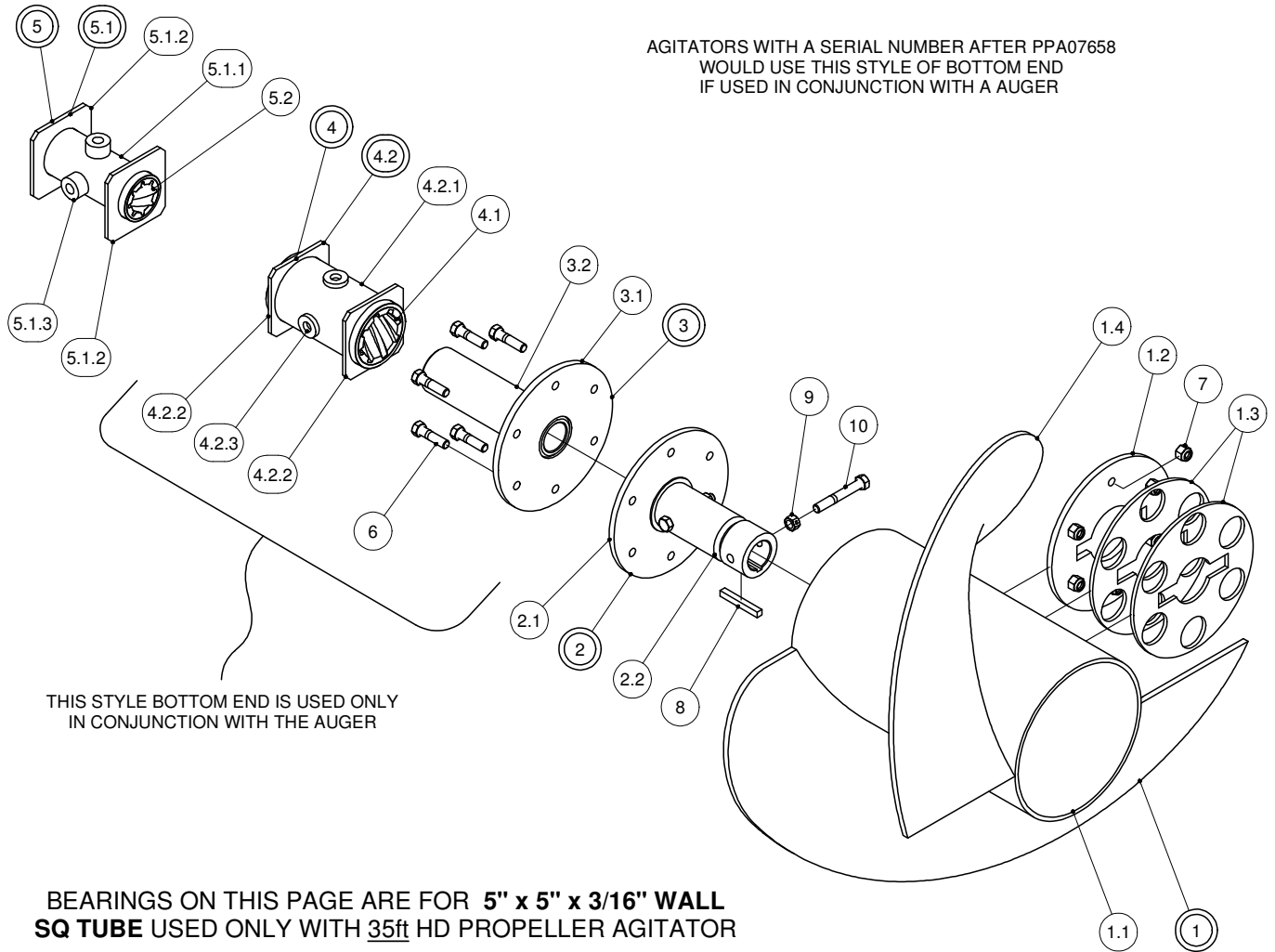
Ø26.6"
540 RPM OPTIONAL PROPELLER
280-15-00-000



Ø28.56"
540 RPM OVERSIZE PROPELLER
280-31-00-000

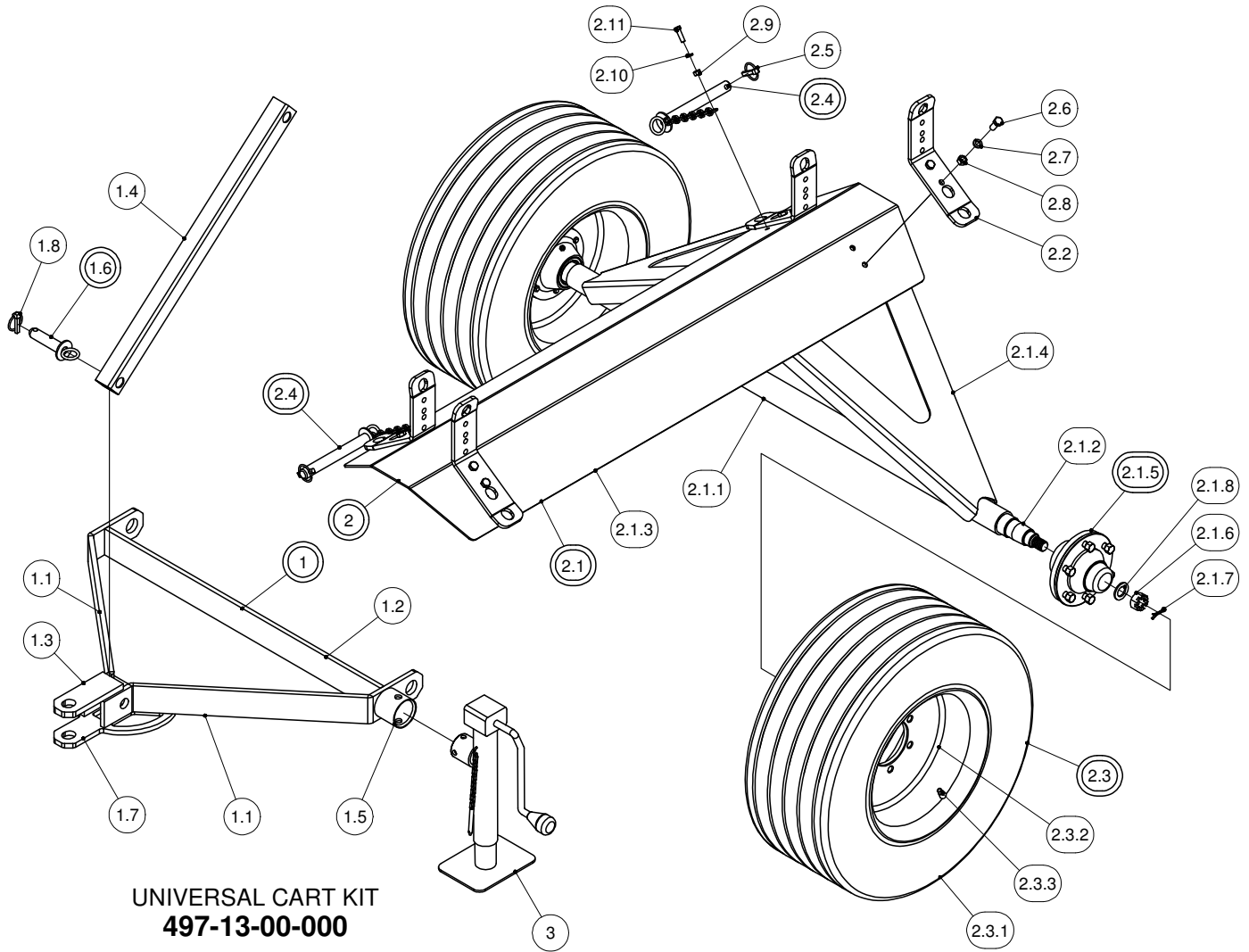
PARTS LIST				PARTS LIST			
ITEM	PART NUMBER	DESCRIPTION	QTY	ITEM	PART NUMBER	DESCRIPTION	QTY
1	280-07-00-034	PROPELLER HUB	1	1	280-07-00-034	PROPELLER HUB	1
2	280-15-00-049	540 RPM PROPELLER BLADE	3	2	280-31-00-109	540 OVERSIZED PROP BLADE	3
3	280-07-00-035	GUSSET	3	3	280-07-00-035	GUSSET	3

BOTTOM END DETAIL 480 - AFTER 2007



PARTS LIST				PARTS LIST			
ITEM	PART NUMBER	DESCRIPTION	QTY	ITEM	PART NUMBER	DESCRIPTION	QTY
1	485-05-00-000	AUGER ASSY - STANDARD (RH)	1	4.2.1	244-13-01-320	HOLDER TUBE	1
1.1	485-05-00-024	AUGER TUBE	1	4.2.2	485-18-01-065	BEARING HOLDER PLATE	2
1.2	485-05-00-025	END FLANGE	1	4.2.3	485-18-01-066	SET SCREW SEAT	2
1.3	485-05-00-026	MIDDLE FLANGE	2	5	250-76-00-000	MARINE BRG & HOLDER COMPLETE	1
1.4	485-05-00-027	AUGER FLITE - STANDARD (RH)	2	5.1	250-76-34-000	MARINE BRG HOLDER ASSY	1
2	485-04-00-000	AUGER HUB ASSY	1	5.1.1	250-76-34-180	URETHANE BRG SLEEVE	1
2.1	485-04-00-023	HUB FLANGE	1	5.1.2	250-76-34-181	BRG SLEEVE HOLDER	2
2.2	485-04-00-022	AUGER HUB	1	5.1.3	250-76-34-256	STABILIZER SLEEVE	2
3	485-19-00-000	REINFORCING HUB ASSY	1	5.2	R20280	URETHANE	1
3.1	485-04-00-023	HUB FLANGE	1	6	R07639	1/2-13 UNC x 2 HEX BOLT GR.5	6
3.2	485-19-00-067	REINFORCING HUB	1	7	R08219	1/2-13 UNC NYLOCK NUT - ZINC	6
4	485-18-00-000	2 3/4" AUGER MARINE BRG COMPLETE	1	8	480-00-00-075	3/8 x 75mm KEY	1
4.1	R20224	H5000 2 3/4" URETHENE FOR BRG	1	9	R07885	1/2-13 UNC 2-WAY LOCK NUT - ZINC	2
4.2	485-18-01-000	2 3/4" AUGER MARINE BRG HOLDER	1	10	R07642	1/2-13 UNC x 3.5 HEX BOLT GR.5	2

UNIVERSAL CART KIT

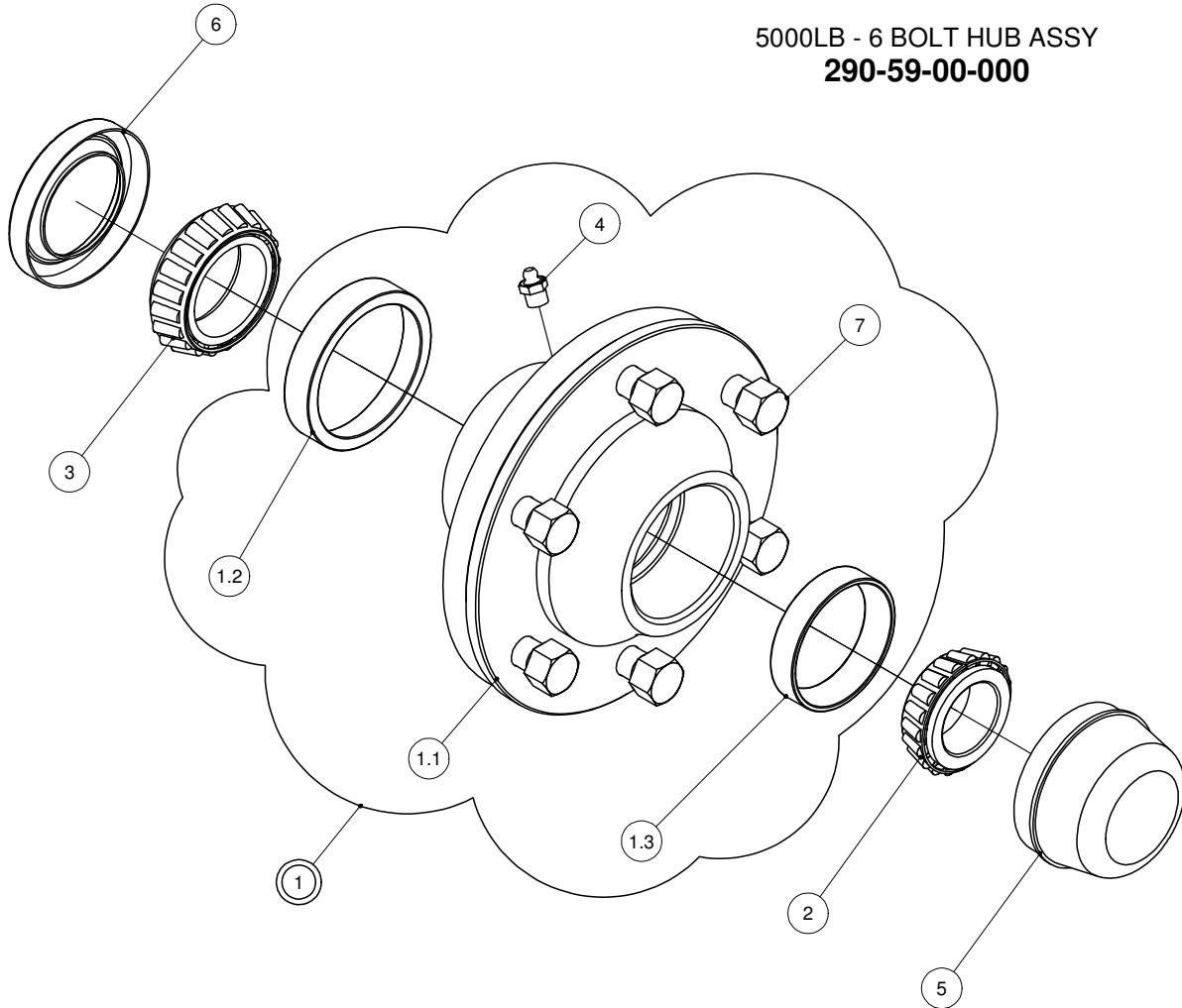


**UNIVERSAL CART KIT
497-13-00-000**

PARTS LIST				PARTS LIST			
ITEM	PART NUMBER	DESCRIPTION	QTY	ITEM	PART NUMBER	DESCRIPTION	QTY
1	497-13-01-000	TOW FRAME ASSY	1	2.1.7	R08015	3/16 x 2 COTTER PIN	2
1.1	497-13-01-035	TOW FRAME BAR	2	2.1.8	R20154	SPINDLE WASHER	2
1.2	497-13-01-036	TOW REINFORCING BAR	1	2.2	480-32-00-112	UNIVERSAL CLAMP BRKT	4
1.3	497-13-01-037	TOW HITCH PLATE	1	2.3	247-07-00-000	TIRE & WHEEL ASSY P275/60R15	2
1.4	497-13-01-040	TOW FRAME BAR	1	2.3.1	R22560	P275 60R15 PASSENGER TIRE	1
1.5	364-35-00-245	TONGUE JACK BRKT	1	2.3.2	R20045	15 x 8 x 6 BOLT WHEEL	1
1.6	200-42-00-000	STABILIZER BAR PIN ASSY-LONG	1	2.3.3	R20020	VALVE STEM	1
1.7	497-13-01-038	TOW HITCH LOWER PLATE	1	2.4	480-10-03-000	PIN & CHAIN ASSY	2
1.8	R08040	7/16" LYNCH PIN	1	2.5	R08040	7/16" LYNCH PIN	2
2	480-32-02-000	AGITATOR CART KIT LESS TOW PKG	1	2.6	R08217	1/2 x 1 1/4 SS UNC HEX BOLT	8
2.1	480-32-01-000	AGITATOR FRAME ASSY	1	2.7	R08414	1/2" SS LOCK WASHER	8
2.1.1	480-10-01-054	TRAILER CROSS TUBE	1	2.8	R08235	1/2-13 SS UNC HEX NUT	8
2.1.2	247-01-01-033	SPINDLE	2	2.9	R08440	3/8-16 SS UNC HEX NUT	2
2.1.3	480-32-01-110	AGITATOR CART BASE PLATE	1	2.10	R08319	3/8" SS LOCK WASHER	2
2.1.4	480-32-01-111	AGITATOR CART "V" FRAME	2	2.11	R08410	3/8 x 1 1/4 SS UNC HEX BOLT	2
2.1.5	290-59-00-000	5000LB - 6 BOLT HUB ASSY	2	3	R09751	7000LB SIDE WIND JACK	1
2.1.6	R20117	SPINDLE NUT	2				

5000LB 6 BOLT HUB ASSY

5000LB - 6 BOLT HUB ASSY
290-59-00-000



PARTS LIST			
ITEM	PART NUMBER	DESCRIPTION	QTY
1	R22055	5000LB HUB w/ CUPS	1
1.1	R22054	5000LB HUB - 6 BOLT	1
1.2	R22058	INNER CUP LM603011	1
1.3	R22060	OUTER CUP LM48510	1
2	R22061	OUTER CONE LM48548	1
3	R22059	INNER CONE LM603049	1
4	R08186	1/8" NPT GREASE FTG	1
5	R22062	DUST CAP	1
6	R22063	SEAL CR2004	1
7	R20110	9/16 UNF WHEEL BOLT	6

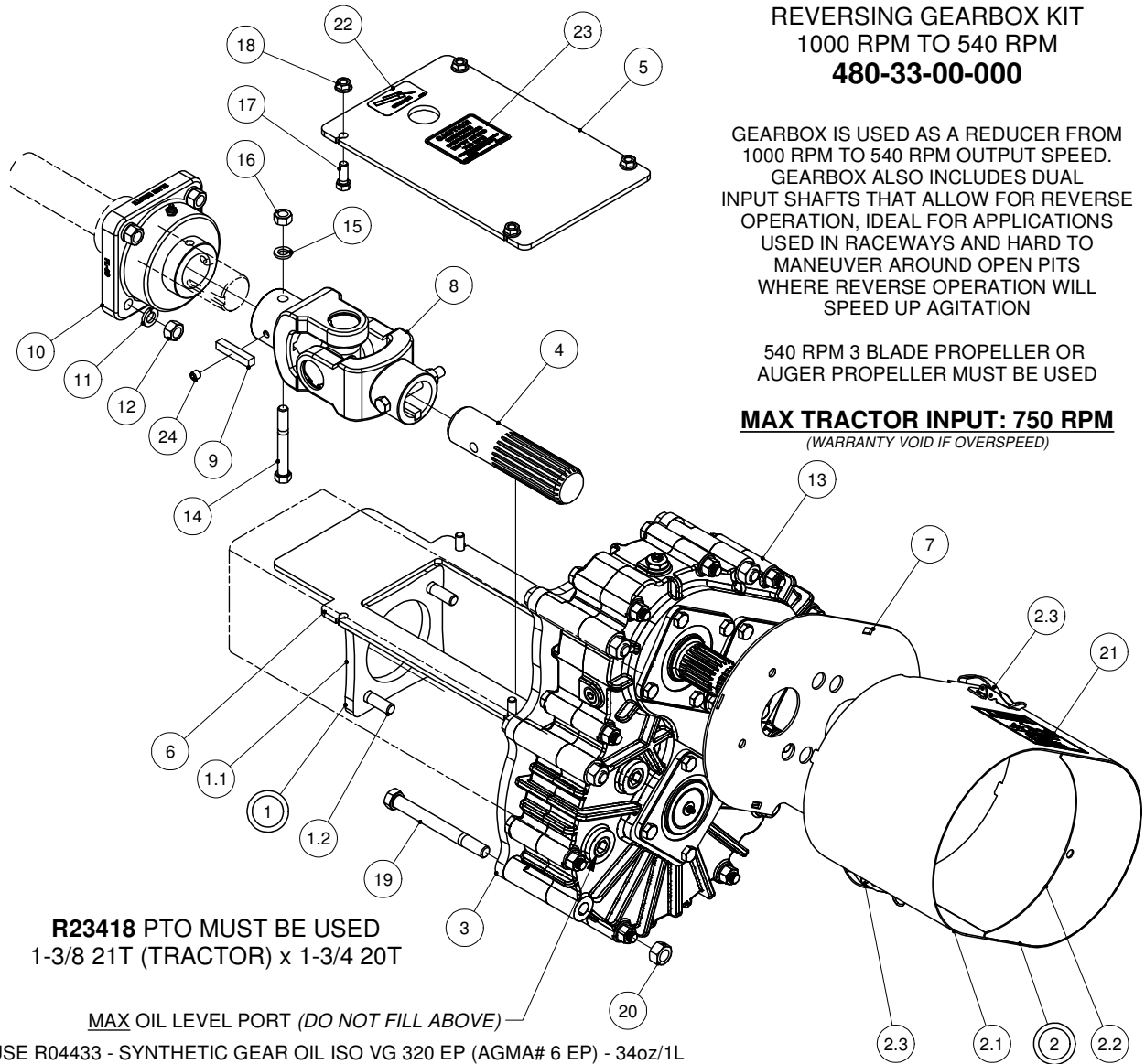
REVERSING GEARBOX KIT

REVERSING GEARBOX KIT 1000 RPM TO 540 RPM **480-33-00-000**

GEARBOX IS USED AS A REDUCER FROM 1000 RPM TO 540 RPM OUTPUT SPEED.
GEARBOX ALSO INCLUDES DUAL INPUT SHAFTS THAT ALLOW FOR REVERSE OPERATION, IDEAL FOR APPLICATIONS USED IN RACEWAYS AND HARD TO MANEUVER AROUND OPEN PITS WHERE REVERSE OPERATION WILL SPEED UP AGITATION

540 RPM 3 BLADE PROPELLER OR AUGER PROPELLER MUST BE USED

MAX TRACTOR INPUT: 750 RPM
(WARRANTY VOID IF OVERSPEED)



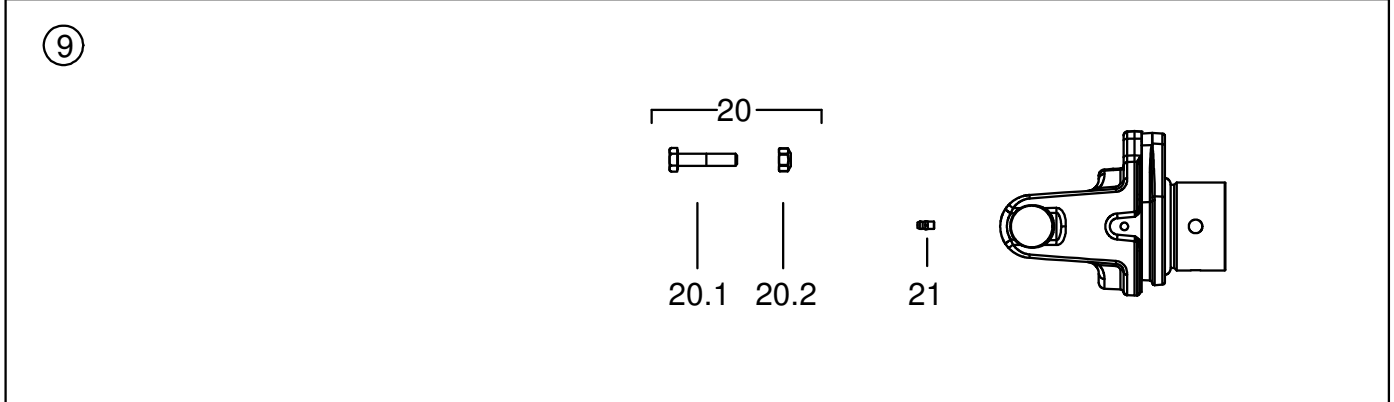
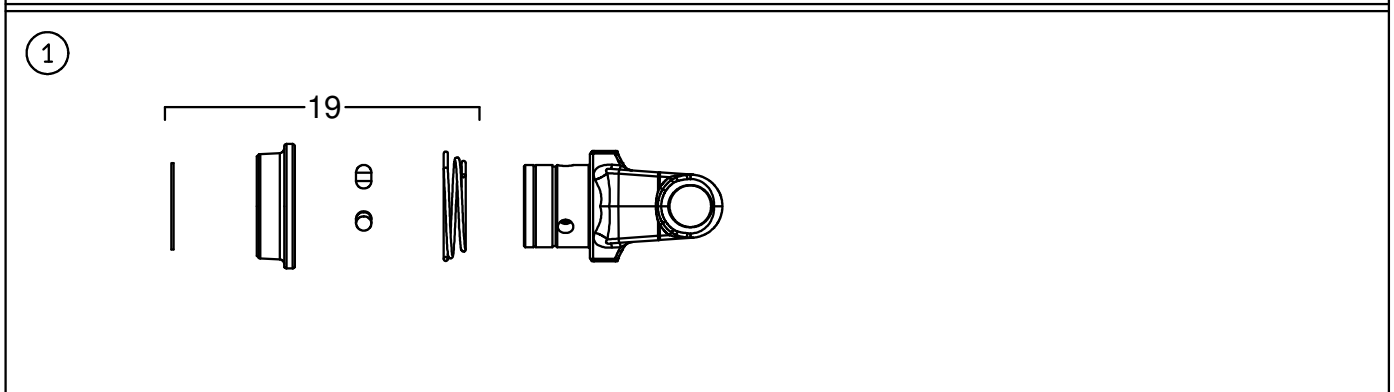
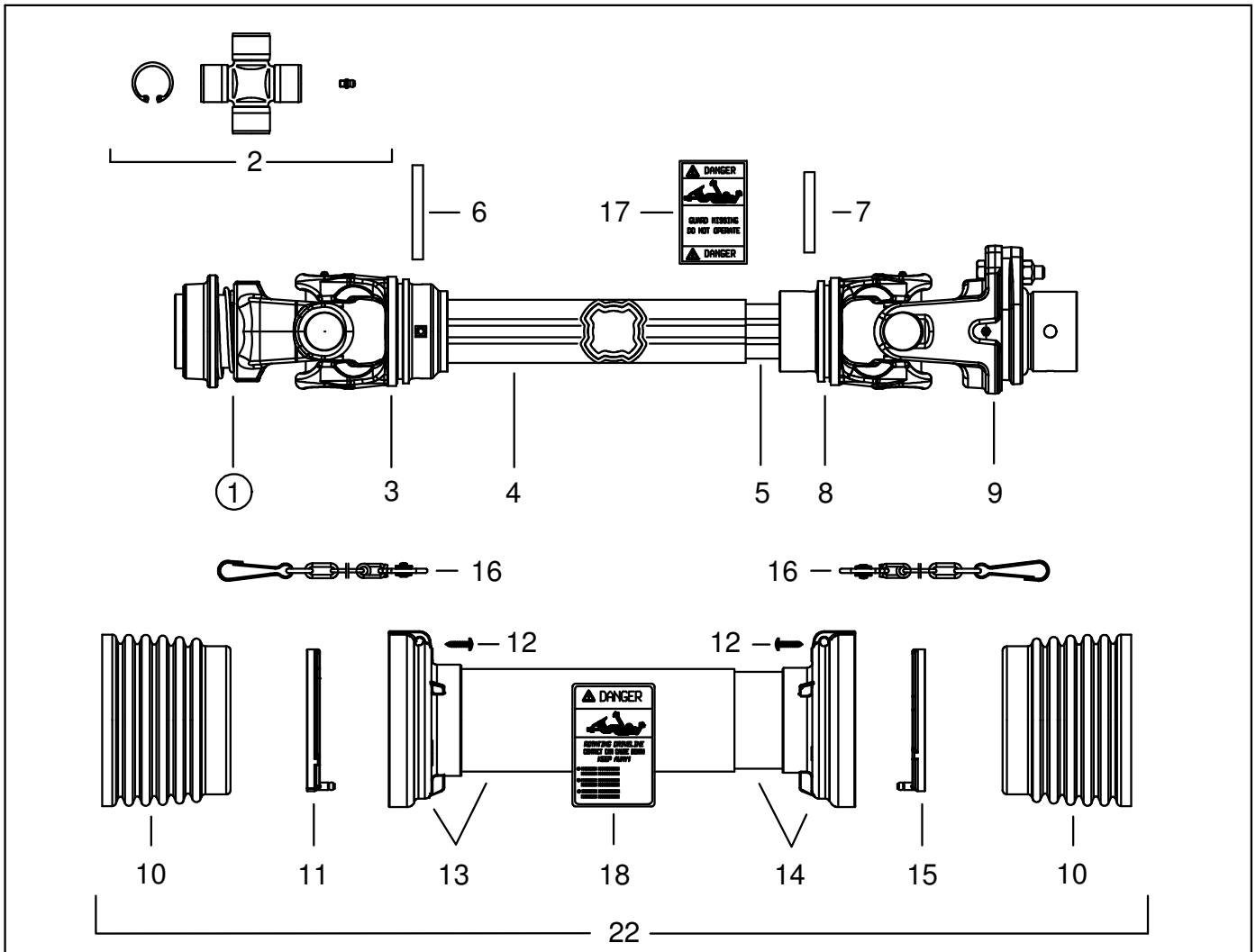
R23418 PTO MUST BE USED
1-3/8 21T (TRACTOR) x 1-3/4 20T

MAX OIL LEVEL PORT (DO NOT FILL ABOVE)

USE R04433 - SYNTHETIC GEAR OIL ISO VG 320 EP (AGMA# 6 EP) - 34oz/1L

PARTS LIST				PARTS LIST			
ITEM	PART NUMBER	DESCRIPTION	QTY	ITEM	PART NUMBER	DESCRIPTION	QTY
1	480-33-01-000	BRG BOLT PLATE ASSY	1	11	R07805	1/2 LOCK WASHER - ZINC	4
1.1	480-33-01-114	BRG BOLT PLATE	1	12	R07785	1/2-13 UNC HEX NUT - ZINC	4
1.2	R07639	1/2-13 UNC x 2 HEX BOLT GR.5	4	13	R22497	REVERSING GEARBOX 1000 to 540rpm	1
2	480-33-02-000	PTO GUARD ASSY	1	14	R07633	7/16-14 UNC x 3.5 HEX BOLT GR.5	2
2.1	480-33-02-119	PTO SHIELD	1	15	R07804	7/16 LOCK WASHER - ZINC	2
2.2	480-33-02-120	SHIELD CAP	1	16	R07784	7/16-14 UNC HEX NUT - ZINC	2
2.3	R10513	DRAW LATCH - 3 5/8" LONG	2	17	R07619	3/8-16 UNC x 1 HEX BOLT GR.5	4
3	480-33-00-113	REVERSING GEARBOX FLANGE	1	18	R07794	3/8-16 UNC FLANGE NUT - ZINC	4
4	480-33-00-115	STUB SHAFT 1-3/4 Z20	1	19	R07609	9/16-12 UNC x 5.5 HEX BOLT GR.5	6
5	480-33-00-116	TUBE INSPECTION COVER	1	20	R08049	9/16-12 UNC 2-WAY LOCK NUT - ZINC	6
6	480-33-00-117	TUBE INSPECTION BASE PLATE	1	21	R21521	"ROTATING DRIVE LINE" DECAL	2
7	480-33-00-118	PTO GUARD MOUNT PLATE	1	22	R09582	GREASE SYMBOL DECAL	1
8	270-32-00-000	KNUCKLE ASSY	1	23	R09799	MAX 750 RPM INPUT DECAL	1
9	270-00-00-075	3/8" KEY - 51.00 mm LONG	2	24	R07909	3/8-16 UNC x 0.38 SET SCREW - ZINC	2
10	R20205	1 3/4" SQ FLANGE BEARING	1				

PROPELLER AGITATOR PTO - 4 LOBE



PROPELLER AGITATOR PTO - 4 LOBE

R22200 - 1 3/8" 6 TOOTH - 540 RPM

R22201 - 1 3/8" 21 TOOTH - 1000 RPM (Standard)

R22202 - 1 3/4" 20 TOOTH - 1000 RPM

PARTS LIST				
ITEM	MFG NUMBER	PART NUMBER	DESCRIPTION	QTY
1	5720L0356	R23396	1 3/8 - 6 T QD YOKE & COLLAR 540 rpm	1
	5720L3757	R23397	1 3/8 - 21 T QD YOKE & COLLAR 1000 rpm	1
	5720L3859	R23398	1 3/4 - 20 T QD YOKE & COLLAR 1000 rpm	1
2	4120L0012R24	R22454	#8 CROSS KIT - 34.9x93.5	2
3	2040L6869	R23400	#8 OUTER 4 LOBE TUBE YOKE	1
4	341046000R10	R23401	FLEXIBLE ROLL PIN 10x85mm	1
5	2253Z0835	R23402	#8 OUTER DRIVE TUBE L-835	1
6	2253V0855	R23403	#8 INNER DRIVE TUBE L-855	1
7	341042000R10	R23404	FLEXIBLE ROLL PIN 10x75mm	1
8	2040L6865	R23405	#8 INNER 4 LOBE TUBE YOKE	1
9	6060L8801R	R23407	1 3/4" RD HOLE SHEAR YOKE & COLLAR	1
10	2190L0201	R23408	#8 CONE BELL 160x120x100	2
11	2550G0001R02	R23409	#8 SHIELD SUPPORT - OUTER	1
12	310001431R30	R23394	SCREW - SELF TAP 4.8x22mm	6
13	5TNN1H8101U	R23410	#8 TUBE & CONE SHIELD - OUTER	1
14	5MNN1H8101U	R23411	#8 TUBE & CONE SHIELD - INNER	1
15	2550G0002R02	R23412	#8 SHIELD SUPPORT - INNER	1
16	252000101R02	R21738	SHIELD TIE CHAIN	2
17	399143000	R21523	"SHIELD MISSING" DECAL	1
18	399141000	R21521	ROTATING DRIVELINE DECAL	1
19	435000332R	R23413	1 3/8" BALL COLLAR KIT #8	1
	435000425R	R23414	1 3/4" BALL COLLAR KIT #8	1
20	-	480-31-00-000	SHEAR BOLT 5-PACK	1
20.1	-	R21639	M12-1.75 x55 HEX BOLT GR 8.8 (NOT FOR INDIVIDUAL SALE)	1
20.2	-	R21604	M12-1.75 NYLOCK NUT (NOT FOR INDIVIDUAL SALE)	1
21	348017000R20	R21687	GREASE NIPPLE M6x1 STRAIGHT	1
22	5CH8101U2SS	R23416	COMPLETE SHIELD KIT	1

GUARANTEE

All Husky Farm Equipment manufactured by Husky Farm Equipment Limited is guaranteed. Guarantee covers all the replacement cost or repair of all parts said to be defective from manufacture. Guarantee also covers labour installing said parts, if installed at Husky Manufacturing plant. Time and use is the essence of the guarantee. If equipment is used on a private property for an individual's use, guarantee will be in effect for twelve months from date of invoice. If equipment is used for commercial use to do custom work for money then guarantee will be in effect for three months only from date of invoice.

EXEMPTIONS FROM GUARANTEE

Cost of transportation of equipment to or from Husky Farm Equipment Limited either by customer or by Husky's service staff or cost of mail or public transportation is not covered. Tires and electric or hydraulic motors are covered by manufacturer's warranty and although Husky may assist to get warranty, Husky will not be responsible other than that allowed by manufacturer's warranty. Items subject to normal wear from use not covered by guarantee if faulty part is simply worn.