

Date Purchased \_\_\_\_\_ Machine Serial No. \_\_\_\_\_

Size of Agitator \_\_\_\_\_ Options \_\_\_\_\_

The key number system in this parts book is arranged as follows:

- ⊙ - Key numbers with two circles denotes main assemblies.
- - Key numbers with one circle are individual parts

Please order parts by number



## **RACEWAY AGITATOR**

**485-00-00-000 – 24' RACEWAY AGITATOR**

**484-00-00-000 – 22' RACEWAY AGITATOR**

**482-00-00-000 – 20' RACEWAY AGITATOR**

### **OPERATING INSTRUCTIONS:**

We welcome you as an owner of a Husky Raceway Agitator. To ensure this machine reaches its maximum life span and operates at an optimum level, we recommend the following:

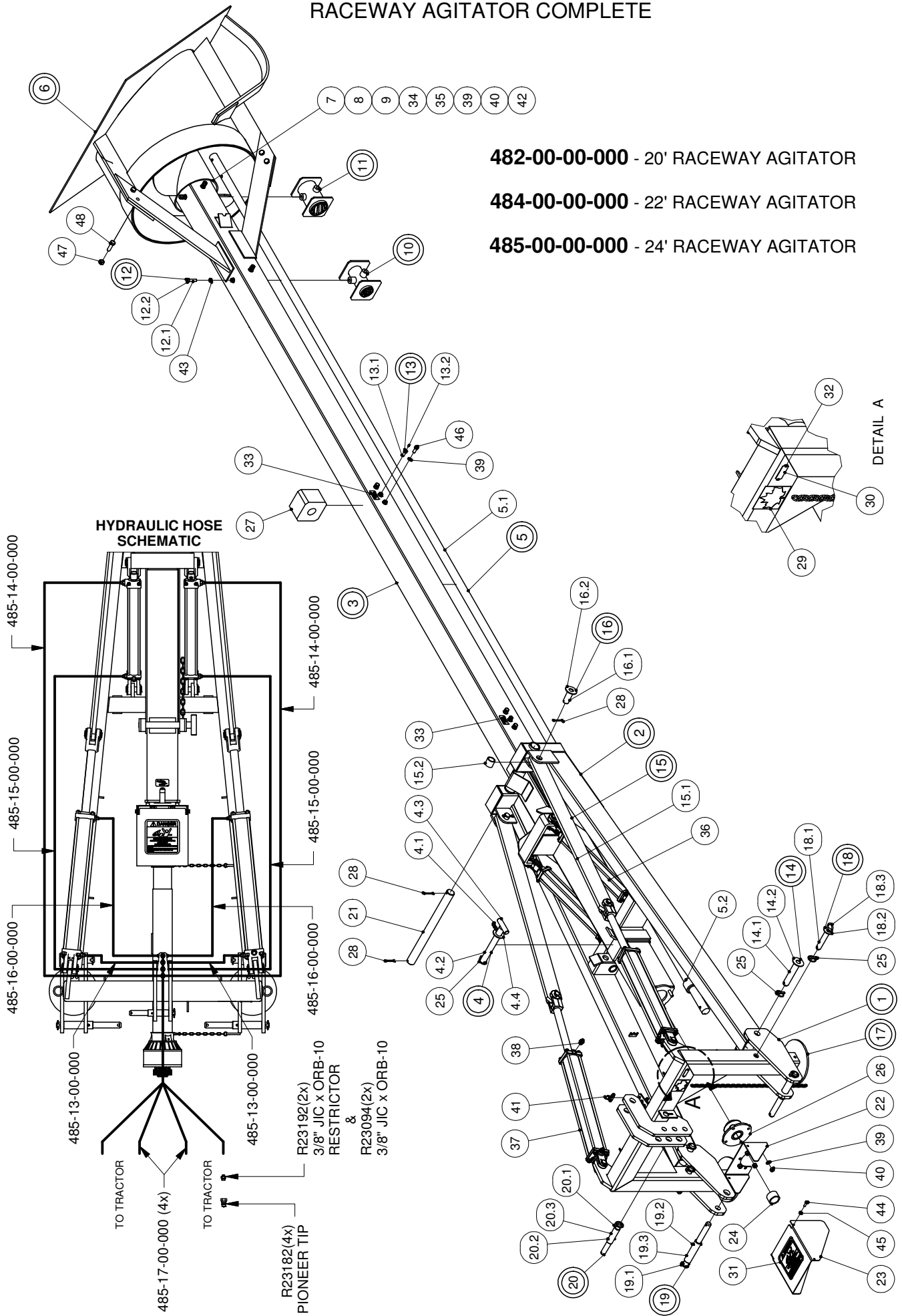
1. Do not leave propeller in manure pit – remove agitator from pit – wash off and coat with old oil or diesel fuel.
2. Grease top thrust bearing five to ten shots daily.
3. Grease the wood bearings five shots daily.
4. Grease the PTO knuckles daily and oil the slide tube.
5. Make sure when in use that the PTO knuckles are both taking equal amount of bend otherwise agitator might vibrate.
6. **EXTREME DANGER** – Never enter a dirty manure spreader or storage tank – one breath of hydrogen sulphide gas is enough to kill. Have a ladder in your pit, so that if by accident you should fall in, you can get out.

# RACEWAY AGITATOR COMPLETE

**482-00-00-000 - 20' RACEWAY AGITATOR**

**484-00-00-000 - 22' RACEWAY AGITATOR**

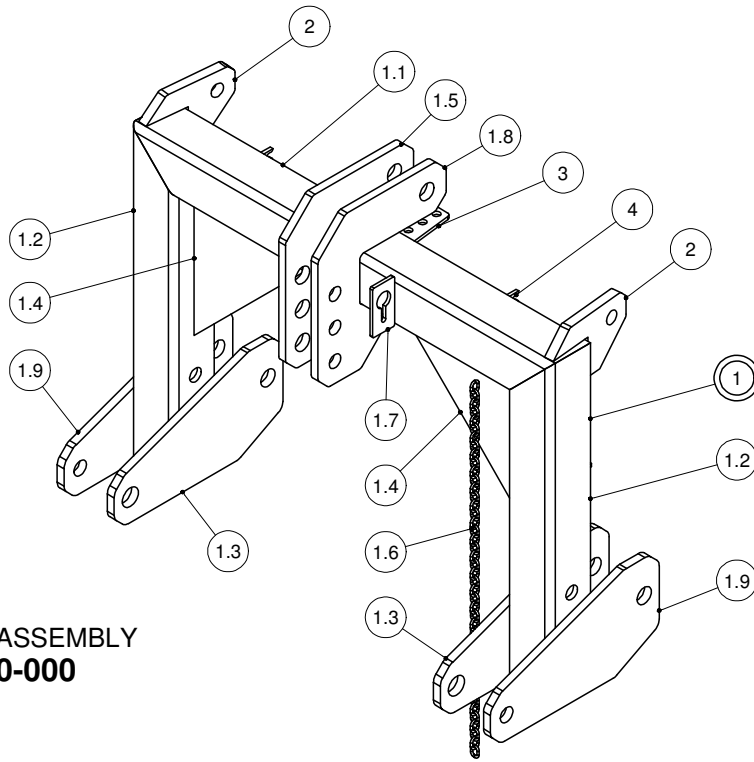
**485-00-00-000 - 24' RACEWAY AGITATOR**



## RACEWAY AGITATOR COMPLETE

PARTS LIST				PARTS LIST			
ITEM	PART NUMBER	DESCRIPTION	QTY	ITEM	PART NUMBER	DESCRIPTION	QTY
1	485-01-00-000	HITCH FRAME ASSY	1	18	480-15-00-000	LEG PIN ASSY	2
2	485-02-00-000	CARRIAGE FRAME ASSY	1	18.1	480-15-00-068	LEG PIN	1
3	485-08-00-000	24' DRIVE SHAFT TUBE ASSY	1	18.2	R07827	3/4" FLAT WASHER	1
	484-02-00-000	22' DRIVE SHAFT TUBE ASSY	1	18.3	250-00-00-354	1/4 X 1 1/2" RING	1
	482-02-00-000	20' DRIVE SHAFT TUBE ASSY	1	19	480-24-00-000	CAT 11 & 111 HITCH PIN KIT	2
4	485-02-01-000	LOCK PIN & CHAIN ASSY	1	19.1	R08040	2 - 18 LYNCH PIN	1
4.1	485-02-01-016	LOCK PIN CHAIN	1	19.2	R07990	3/8 x 2 1/2" ROLL PIN	1
4.2	485-02-01-015	LOCK PIN	1	19.3	480-24-00-092	CAT 11 & 111 HITCH PIN	1
4.3	485-02-01-017	PIN HANDLE	1	20	480-25-00-000	CAT 11 & 111 TOP LINK PIN KIT	1
4.4	R07830	1 1/4" FLAT WASHER	1	20.1	R08041	1/4" LYNCH PIN	1
5	485-07-00-000	24' DRIVE SHAFT ASSY	1	20.2	R07942	1/4 x 2" ROLL PIN	1
	484-01-00-000	22' DRIVE SHAFT ASSY	1	20.3	480-25-00-094	CAT 11 & 111 TOP LINK PIN	1
	482-01-00-000	20' DRIVE SHAFT ASSY	1	21	485-00-00-021	PIVOT PIN	1
5.1	485-07-00-034	DRIVE SHAFT - 24ft PROP	1	22	485-00-00-047	PTO GUARD BRKT	1
	484-01-00-001	DRIVE SHAFT - 22ft PROP	1	23	296-00-00-033	PTO GUARD	1
	482-01-00-001	DRIVE SHAFT - 20ft PROP	1	24	280-00-00-052	SPACER PIPE	1
5.2	280-05-00-031	THRUST BEARING BLOCK	1	25	R08040	2 - 18 LYNCH PIN	5
6	485-06-00-000	SHROUD ASSY	1	26	R20206	1 3/4" THRUST BEARING	1
7	485-05-00-000	AUGER ASSY	1	27	R20235	5.58" SQ WOOD BEARING	2
8	485-04-00-000	AUGER HUB ASSY	1	28	R08016	1/4 x 2 COTTER PIN	4
9	485-19-00-000	REINFORCING HUB ASSY	1	29	R09509	"MADE IN CANADA" DECAL - LARGE	1
10	242-22-00-000	1 3/4" MARINE BRG HOLDER COMPLETE	1	30	R09071	SERIAL NUMBER PLATE	1
11	244-13-00-000	2 3/4" MARINE BRG HOLDER COMPLETE	1	31	R09785	"DANGER ROTATING DRIVELINE" DECAL	1
				32	R08152	6 x 1/4 PAN HD SOCKET SCREW	2
12	250-59-00-000	SET SCREW ASSY	4	33	R09582	GREASE SYMBOL DECAL	3
12.1	250-59-00-141	SS SET SCREW REDDI ROD	1	34	R08219	1/2 UNC NYLOCK NUT	6
12.2	R08235	1/2-13 SS UNC HEX NUT	1	35	R07639	1/2 x 2 UNC HEX BOLT	6
13	244-88-00-000	WOOD BEARING GREASE BOLT KIT	2	36	R23271	20TH16 HYD CYL-ORB	2
13.1	244-88-00-451	WOOD BEARING GREASE BOLT	1	37	R23294	30TH24 HYD CYL-ORB	2
13.2	R08183	1/4" - 28 STRAIGHT GREASE FITTING	1	38	R23091	ORB-8 X 3/8" JIC M ADAPTOR	8
14	480-08-00-000	PIVOT PIN ASSY	2	39	R07805	1/2" LOCK WASHER	10
14.1	480-08-00-048	PIVOT PIN	1	40	R07785	1/2-13 UNC HEX NUT	6
14.2	R07828	1" FLAT WASHER	1	41	R23222	3/8" JIC BULKHEAD TEE	4
15	485-03-00-000	CYLINDER BAR ASSY	2	42	R07642	1/2 x 3 1/2 UNC HEX BOLT	2
15.1	485-03-00-019	CYLINDER BAR	1	43	R08046	1/2-13 UNC JAM NUT	4
15.2	485-03-00-020	CYLINDER BAR BUSHING	1	44	R07619	3/8 x 1 UNC HEX BOLT	2
16	485-10-00-000	LIFT BAR PIN ASSY	2	45	R07886	3/8-16 UNC 2-WAY LOCK NUT	2
16.1	485-10-00-054	LIFT BAR PIN	1	46	R07674	1/2 x 1 1/4 UNC HEX BOLT	4
16.2	R07828	1" FLAT WASHER	1	47	R07887	5/8-11 UNC 2-WAY LOCK NUT	6
17	480-06-00-000	STAND ASSY	2	48	R07647	5/8 x 2 UNC HEX BOLT	6

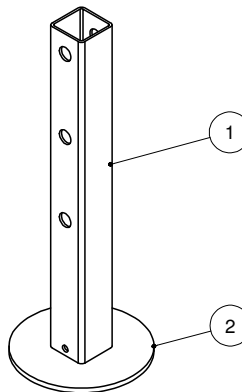
# RACEWAY AGITATOR HITCH FRAME ASSY



**HITCH FRAME ASSEMBLY  
485-01-00-000**

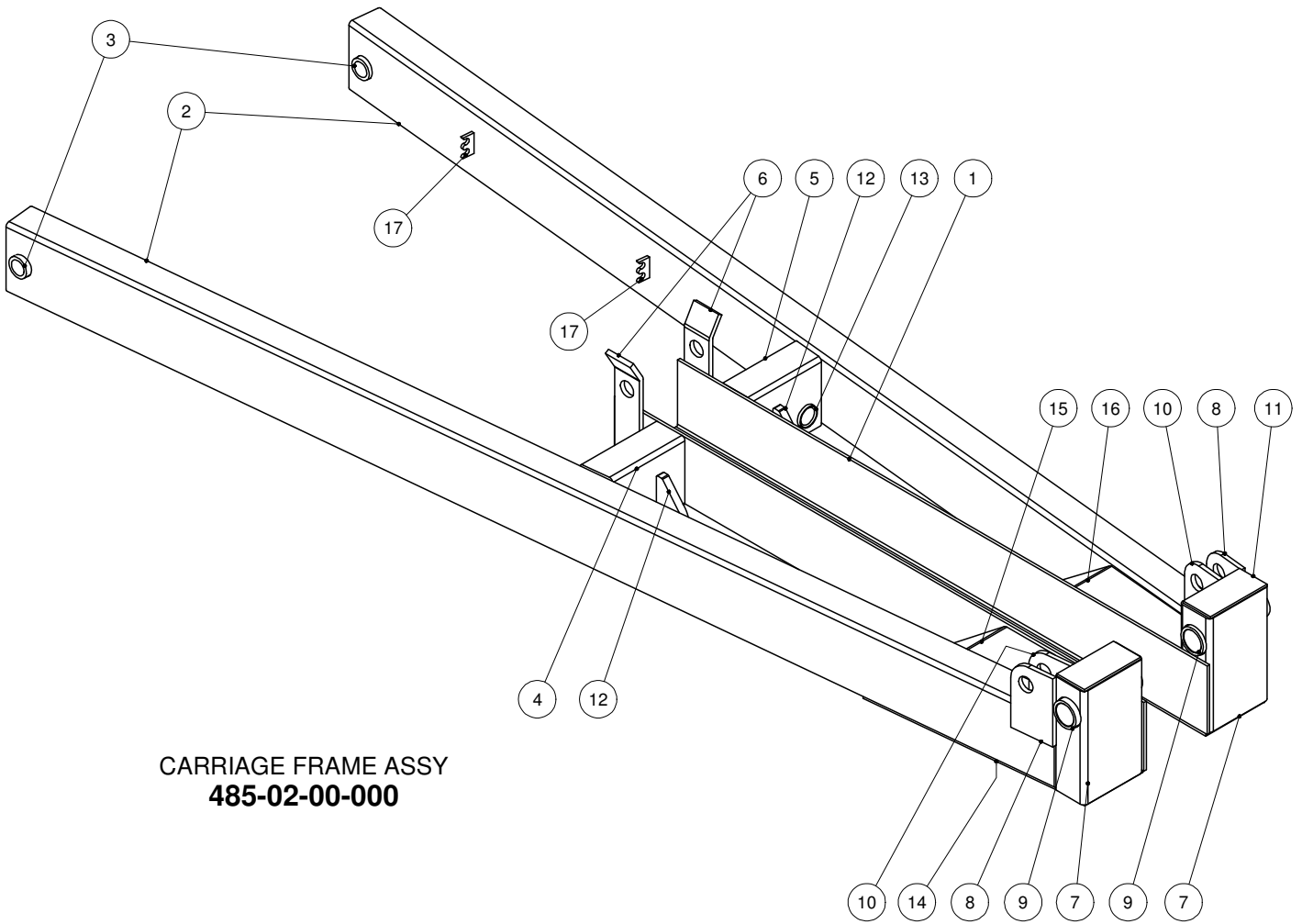
PARTS LIST				PARTS LIST			
ITEM	PART NUMBER	DESCRIPTION	QTY	ITEM	PART NUMBER	DESCRIPTION	QTY
1	480-01-00-000	HITCH FRAME ASSY	1	1.7	480-01-00-008	CHAIN BRKT	1
1.1	480-01-00-002	HITCH FRAME TOP PC	1	1.8	480-01-00-093	OUTER UPPER LINK CONN PLATE	1
1.2	480-01-00-001	HITCH FRAME SIDE	2	1.9	480-01-00-091	HITCH PLATE	2
1.3	480-01-00-005	HITCH PLATE	2	2	480-01-00-009	CYLINDER BRKT	2
1.4	480-01-00-004	GUSSET	2	3	485-01-00-083	BULKHEAD MOUNT PLATE-4 HOLE	1
1.5	480-01-00-003	UPPER LINK CONN PLATE	1	4	490-03-00-190	HYDRAULIC HOSE HOLDER-DB HOSE	6
1.6	480-01-00-044	PTO RETAINING CHAIN	1				

**STAND ASSEMBLY  
480-06-00-000  
(2 REQ'D)**



PARTS LIST			
ITEM	PART NUMBER	DESCRIPTION	QTY
1	480-06-00-045	STAND LEG	1
2	480-06-00-046	STAND FOOT	1

# CARRIAGE FRAME ASSY



**CARRIAGE FRAME ASSY  
485-02-00-000**

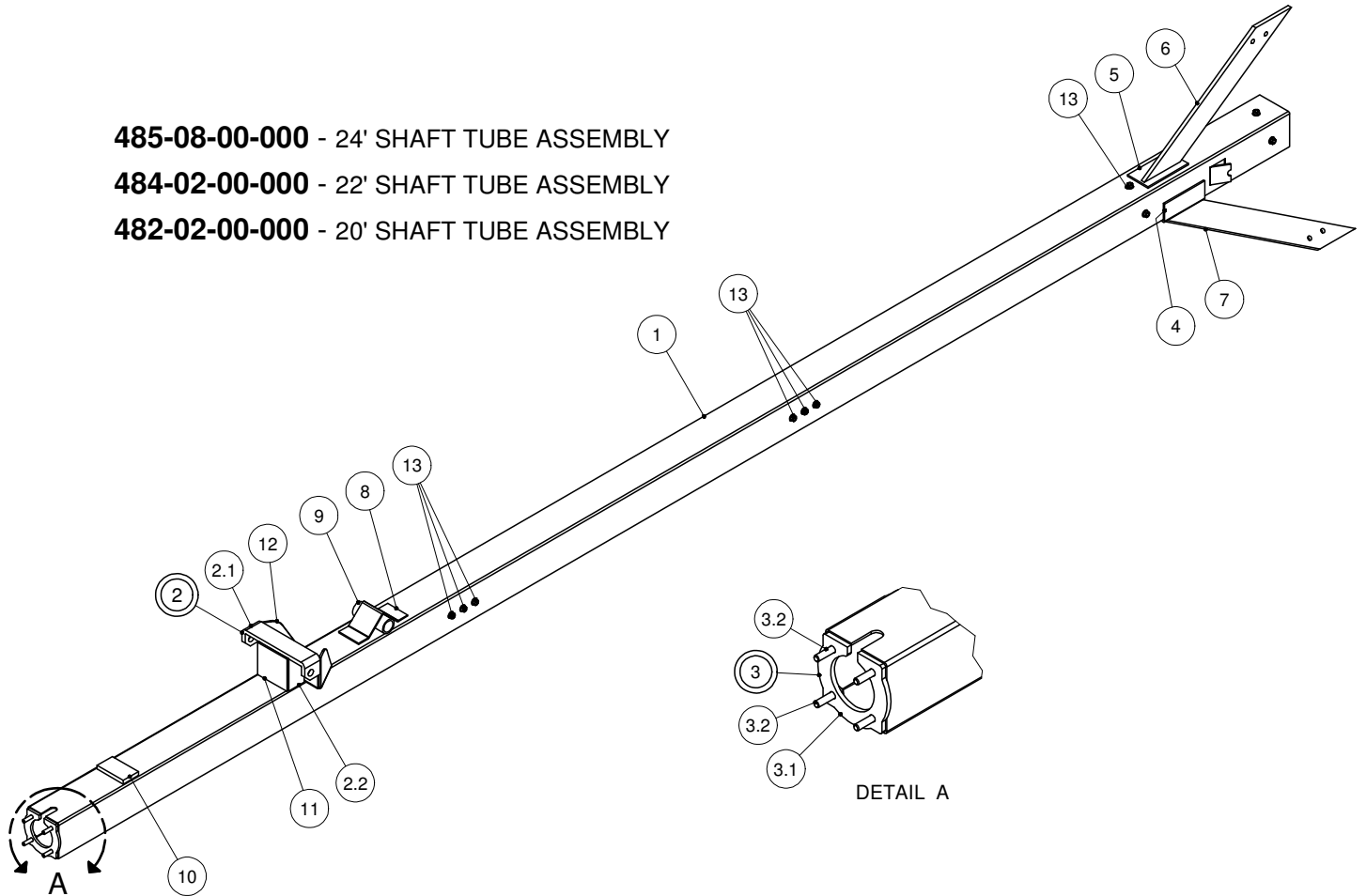
PARTS LIST			
ITEM	PART NUMBER	DESCRIPTION	QTY
1	485-02-00-003	CRADDLE	1
2	485-02-00-001	LIFT ARM	2
3	485-02-00-002	LIFT ARM BUSHING	2
4	485-02-00-055	LH SUPPORT TUBE w/ HOLE	1
5	485-02-00-004	RH SUPPORT TUBE w/ HOLE	1
6	485-02-00-005	HOLD DOWN BRKT	2
7	485-02-00-009	VERTICAL TUBE	2
8	485-02-00-011	OUTER BRKT	2
9	485-02-00-014	VERTICAL TUBE PIN SLEEVE	2
10	485-02-00-048	INSIDE CYL. BRKT	2
11	485-02-00-049	CAP	2
12	485-02-00-013	CYLINDER LUG	2
13	485-02-00-056	HOSE TUBE	2
14	485-02-00-007	LOWER GUSSET	1
15	485-02-00-006	UPPER GUSSET - LEFT	1
16	485-02-00-057	UPPER GUSSET - RIGHT	1
17	490-03-00-190	HYDRAULIC HOSE HOLDER-DB HOSE	4

# RACEWAY SHAFT TUBE ASSY

**485-08-00-000** - 24' SHAFT TUBE ASSEMBLY

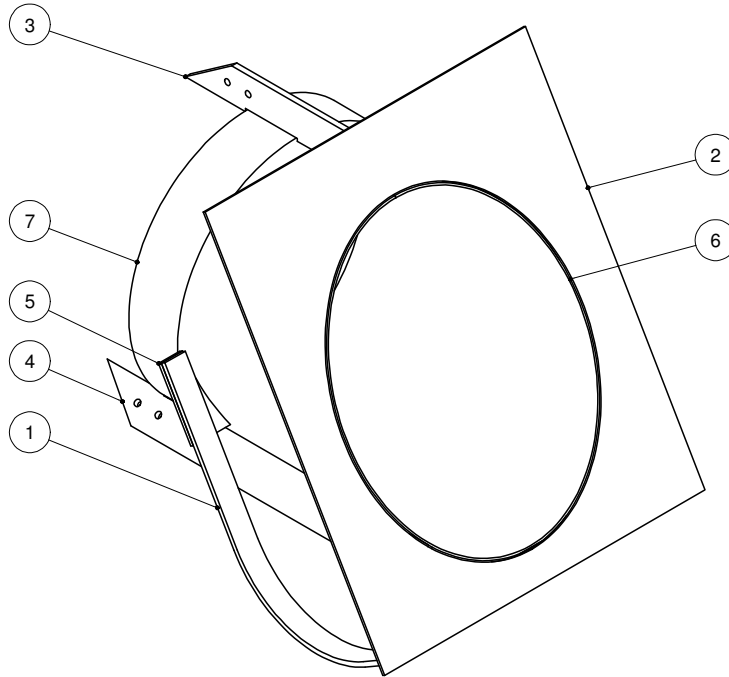
**484-02-00-000** - 22' SHAFT TUBE ASSEMBLY

**482-02-00-000** - 20' SHAFT TUBE ASSEMBLY



PARTS LIST			
ITEM	PART NUMBER	DESCRIPTION	QTY
1	485-08-00-035	24' DRIVE SHAFT TUBE	1
	484-02-00-002	22' DRIVE SHAFT TUBE	1
	482-02-00-002	20' DRIVE SHAFT TUBE	1
2	485-08-02-000	CYL BRACKET ASSY	1
2.1	485-08-02-050	CYLINDER U-BRKT	1
2.2	485-08-02-051	U - BRACKET LEG	2
3	480-03-03-000	BEARING FLANGE ASSY	1
3.1	480-03-00-012	BEARING FLANGE	1
3.2	R07639	1/2 x 2 UNC HEX BOLT	4
4	485-08-00-043	BRACE REINFORCING BRKT	1
5	485-08-00-038	TOP BRACE PLATE	1
6	485-08-00-037	TOP BRACE	1
7	485-08-00-039	SIDE BRACE	2
8	485-08-00-041	PIVOT SLEEVE REINF PLATE	1
9	485-08-00-036	PIVOT SLEEVE	1
10	485-08-00-040	SPACER PLATE	1
11	485-08-00-053	CYL BRKT CAP	1
12	485-08-00-052	CYL BRKT GUSSET	1
13	R08304	1/2-13 UNC SS FLANGE NUT	10

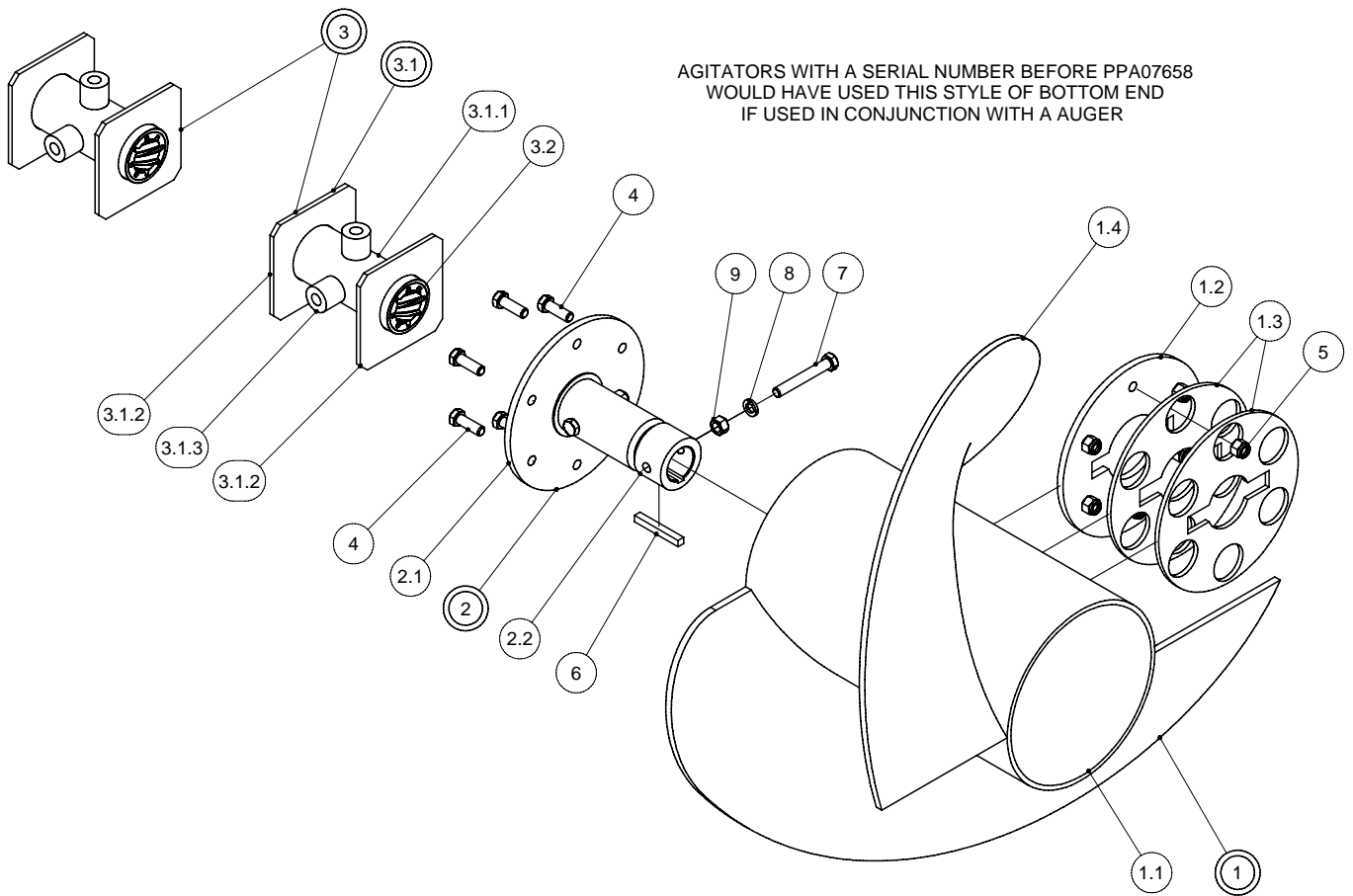
# RACEWAY HOUSING ASSY



## AUGER HOUSING ASSEMBLY 485-06-00-000

PARTS LIST			
ITEM	PART NUMBER	DESCRIPTION	QTY
1	485-06-00-030	SHROUD RUNNER	2
2	485-06-00-029	SHROUD WALL PLATE	1
3	485-06-00-031	SHROUD TOP BRACE	1
4	485-06-00-032	SHROUD SIDE BRACE	2
5	485-06-00-033	RUNNER SUPPORT	2
6	485-06-00-028	AUGER SHROUD	1
7	485-06-00-059	SHROUD REINFORCING RING	1

## BOTTOM END DETAIL 485 - BEFORE 2007



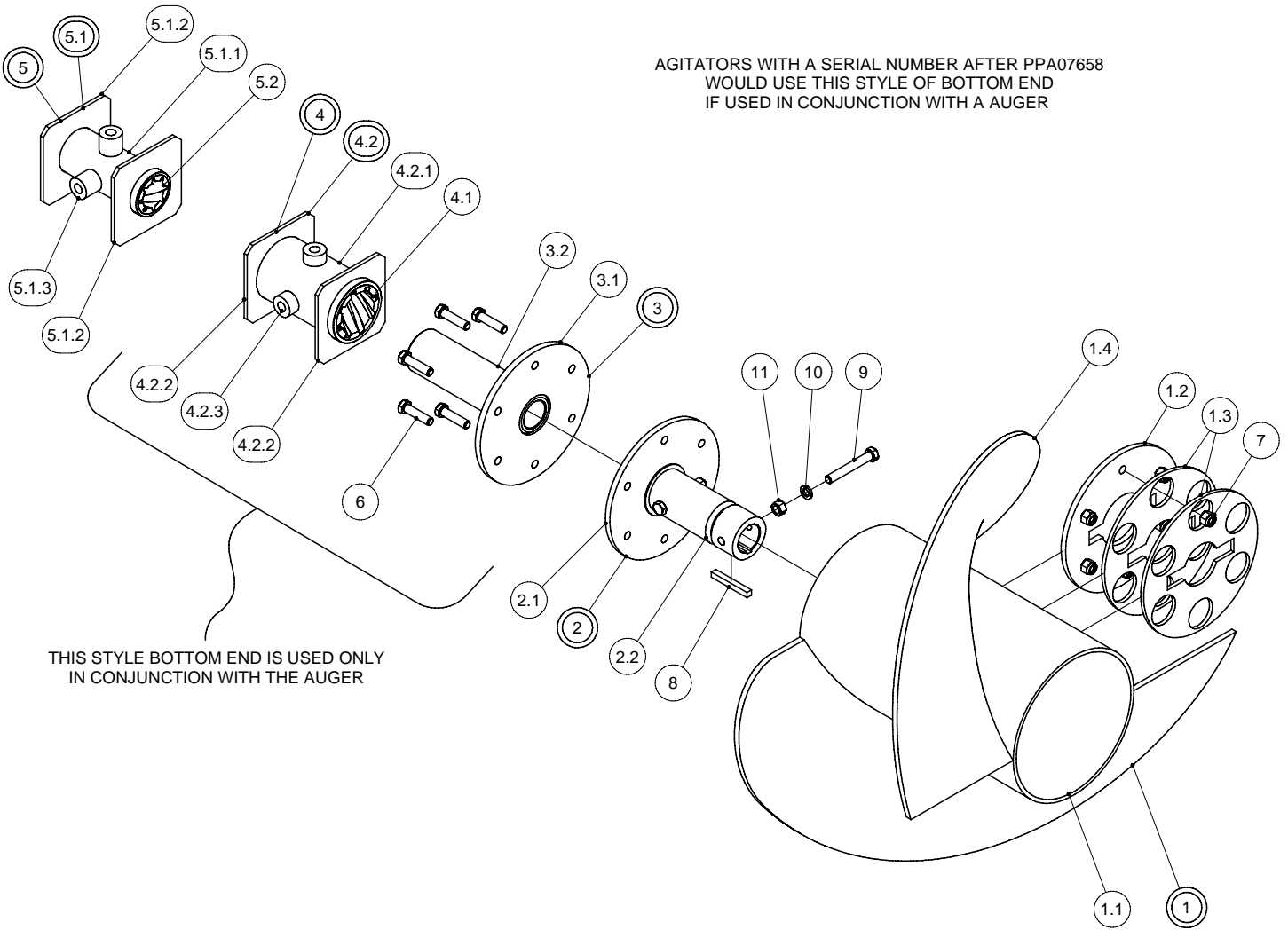
AGITATORS WITH A SERIAL NUMBER BEFORE PPA07658  
WOULD HAVE USED THIS STYLE OF BOTTOM END  
IF USED IN CONJUNCTION WITH A AUGER

PARTS LIST			
ITEM	PART NUMBER	DESCRIPTION	QTY
1	485-05-00-000	AUGER ASSY	1
1.1	485-05-00-024	AUGER TUBE	1
1.2	485-05-00-025	END FLANGE	1
1.3	485-05-00-026	MIDDLE FLANGE	2
1.4	485-05-00-027	RH AUGER FLITE	2
2	485-04-00-000	AUGER HUB ASSY	1
2.1	485-04-00-023	HUB FLANGE	1
2.2	485-04-00-022	AUGER HUB	1
3	242-22-00-000	1 3/4" MARINE BRG HOLDER COMPLETE	2
3.1	242-22-27-000	MARINE BEARING HOLDER ASSY	1
3.1.1	250-76-34-180	URETHANE BRG SLEEVE	1
3.1.2	242-22-27-235	BEARING HOLDING PLATE	2
3.1.3	242-22-27-236	SET SCREW SLEEVE	2
3.2	R20280	URETHANE	1
4	R07638	1/2 x 1 1/2 UNC HEX BOLT	6
5	R08219	1/2 UNC NYLOCK NUT	6
6	480-00-00-075	3/8 x 75mm KEY	1
7	R07642	1/2 x 3 1/2 UNC HEX BOLT	2
8	R07805	1/2" LOCK WASHER	2
9	R07785	1/2-13 UNC HEX NUT	2



## BOTTOM END DETAIL 485 - AFTER 2007

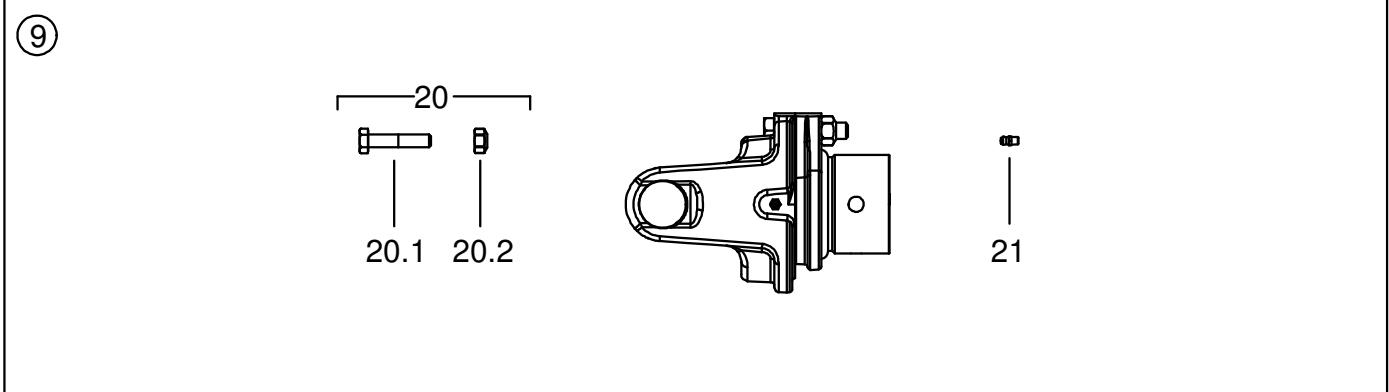
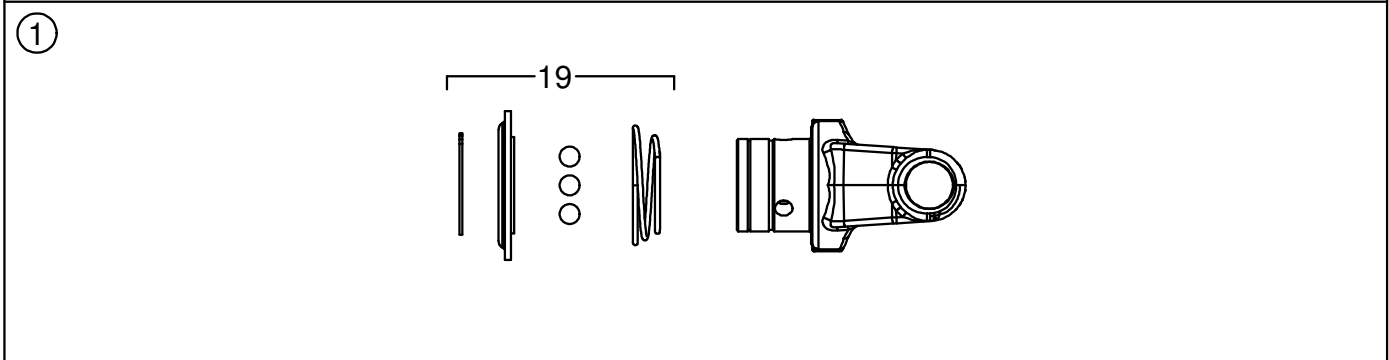
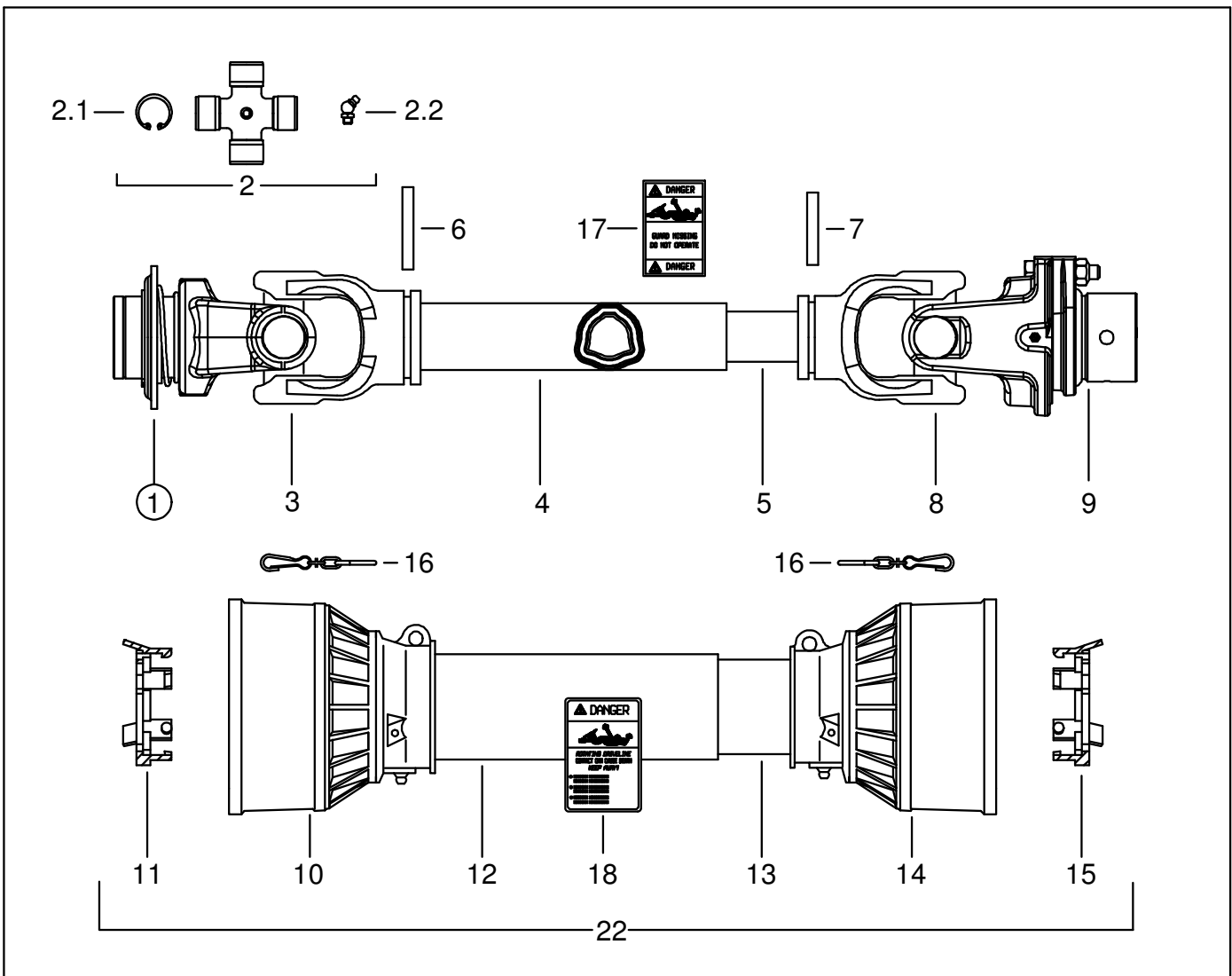
AGITATORS WITH A SERIAL NUMBER AFTER PPA07658  
WOULD USE THIS STYLE OF BOTTOM END  
IF USED IN CONJUNCTION WITH A AUGER



THIS STYLE BOTTOM END IS USED ONLY  
IN CONJUNCTION WITH THE AUGER

PARTS LIST				PARTS LIST			
ITEM	PART NUMBER	DESCRIPTION	QTY	ITEM	PART NUMBER	DESCRIPTION	QTY
1	485-05-00-000	AUGER ASSY	1	4.2.2	244-13-01-321	BEARING HOLDER PLATE	2
1.1	485-05-00-024	AUGER TUBE	1	4.2.3	244-13-01-322	SET SCREW SEAT	2
1.2	485-05-00-025	END FLANGE	1	5	242-22-00-000	1 3/4" MARINE BRG HOLDER COMPLETE	1
1.3	485-05-00-026	MIDDLE FLANGE	2				
1.4	485-05-00-027	RH AUGER FLITE	2	5.1	242-22-27-000	MARINE BEARING HOLDER ASSY	1
2	485-04-00-000	AUGER HUB ASSY	1	5.1.1	250-76-34-180	URETHANE BRG SLEEVE	1
2.1	485-04-00-023	HUB FLANGE	1	5.1.2	242-22-27-235	BEARING HOLDING PLATE	2
2.2	485-04-00-022	AUGER HUB	1	5.1.3	242-22-27-236	SET SCREW SLEEVE	2
3	485-19-00-000	REINFORCING HUB ASSY	1	5.2	R20280	URETHANE	1
3.1	485-04-00-023	HUB FLANGE	1	6	R07639	1/2 x 2 UNC HEX BOLT	6
3.2	485-19-00-067	REINFORCING HUB	1	7	R08219	1/2 UNC NYLOCK NUT	6
4	244-13-00-000	MARINE BRG AND HOLDER COMP	1	8	480-00-00-075	3/8 x 75mm KEY	1
4.1	R20224	H5000 2 3/4" URETHENE FOR BRG	1	9	R07642	1/2 x 3 1/2 UNC HEX BOLT	2
4.2	244-13-01-000	2 3/4" MARINE BEARING HOLDER	1	10	R07805	1/2" LOCK WASHER	2
4.2.1	244-13-01-320	HOLDER TUBE	1	11	R07785	1/2-13 UNC HEX NUT	2

# PROPELLER AGITATOR PTO



## PROPELLER AGITATOR PTO

**R22200** - 1 3/8" 6 TOOTH - 540 RPM (STANDARD)

**R22201** - 1 3/8" 21 TOOTH - 1000 RPM

**R22202** - 1 3/4" 20 TOOTH - 1000 RPM

PARTS LIST				
ITEM	MFG NUMBER	PART NUMBER	DESCRIPTION	QTY
1	5720M0355	R22330	1 3/8 - 6 TOOTH QD YOKE w/ SLEEVES 540 rpm	1
	5720M3755	R22332	1 3/8 - 21 TOOTH QD YOKE w/ SLEEVES 1000 rpm	1
	5720M3855	R22333	1 3/4 - 20 TOOTH QD YOKE w/ SLEEVES 1000 rpm	1
2	4120M0011R20	R21614	CROSS KIT - S9 34.9x106	2
2.1	338023000	R21621	CIRCLIP	4
2.2	348004000	R21655	GREASE NIPPLE 45°	1
3	204086860	R21620	YOKE #8 OUTER TUBE	1
4	225730803	R21616	CARDAN DRIVE TUBE - OUTER	1
5	225690803	R21615	CARDAN DRIVE TUBE - INNER	1
6	341054000R10	R21613	FLEXIBLE PIN - OUTER 12x90mm	1
7	341055000R10	R21612	FLEXIBLE PIN - INNER 12x75mm	1
8	204086861	R21619	YOKE #8 INNER TUBE	1
9	6060M8801	R21648	1 3/4" RD HOLE SHEAR YOKE	1
10	517080130	R21610	OUTER SHIELD CONE	1
11	255080005R02	R21609	OUTER SHIELD SUPPORT	1
12	236850752	R21618	CM SAFETY TUBE-OUTER	1
13	236840752	R21617	CM SAFETY TUBE-INNER	1
14	517080120	R21611	INNER SHIELD CONE	1
15	255080006R02	R21608	INNER SHIELD SUPPORT	1
16	252000050R02	R21738	SHIELD TIE CHAIN	2
17	399143000	R21523	"SHIELD MISSING" DECAL	1
18	399141000	R21521	ROTATING DRIVELINE DECAL	1
19	240003551	R21713	R.S. COLLAR KIT	1
20	-	480-31-00-000	SHEAR BOLT 5-PACK	1
20.1	-	R21639	M12-1.75 x55 HEX BOLT GR 8.8 (NOT FOR INDIVIDUAL SALE)	1
20.2	-	R21604	M12-1.75 NYLOCK NUT (NOT FOR INDIVIDUAL SALE)	1
21	348017000R20	R21687	GREASE NIPPLE M6x1 STRAIGHT	1
22	5F08101FFUC	R21629	COMPLETE SHIELD KIT	1

## **GUARANTEE**

All Husky Farm Equipment manufactured by Husky Farm Equipment Limited is guaranteed. Guarantee covers all the replacement cost or repair of all parts said to be defective from manufacture. Guarantee also covers labour installing said parts, if installed at Husky Manufacturing plant. Time and use is the essence of the guarantee. If equipment is used on a private property for an individual's use, guarantee will be in effect for twelve months from date of invoice. If equipment is used for commercial use to do custom work for money then guarantee will be in effect for three months only from date of invoice.

## **EXEMPTIONS FROM GUARANTEE**

Cost of transportation of equipment to or from Husky Farm Equipment Limited either by customer or by Husky's service staff or cost of mail or public transportation is not covered. Tires and electric or hydraulic motors are covered by manufacturer's warranty and although Husky may assist to get warranty, Husky will not be responsible other than that allowed by manufacturer's warranty. Items subject to normal wear from use not covered by guarantee if faulty part is simply worn.